

0CW10-M59800EN

P R E F A C E

1. This Parts Catalog carries all parts incorporated in YANMAR Model L70N6AJ8R2AAPC engine manufactured since March, 2010.
2. Each illustration corresponds to the parts list on the following page.
3. When ordering parts, clearly write down the engine model and serial number, as well as the name and number of each part in your order sheet. This will help insure reliable delivery of the parts you have ordered.

Directions for the Parts Catalog.

1. The parts stipulated in this Parts Catalog are not necessarily standard equipped parts.
2. Parts may change without prior notice.
3. The following is an example of the Parts Catalog format.

REF.	LEV.	PARTS NO.	DESCRIPTION	Q'TY						I	R
				(A)	(B)	(C)	(D)	(E)	(F)		
1	1	729595-51390	FUEL INJECTION PUMP	1	1	1	1	1			1
1-1	1	729595-51391	FUEL INJECTION PUMP	1	1	1	1	1		N	1
		(A=E00185) (B=E00200)									
3	2	26022-060162	SCREW M 6X 16	9	9	9	9	9			
3-1	2	26022-060162	SCREW M 6X 16	4	4	4	4	4		K	
		(A=E00156) (B=E00156) (C=E00156) (D=E00156) (E=E00156)									
4	2	129470-51040	CAMSHAFT	1	1	1	1	1			
5	2	122710-51050	BEARING, ROLLER	2	2	2	2	2			
6	2	129470-51060	RETAINER	1	1	1	1	1			

Remarks
(1) BOOST COMPEMSATOR TYPE. OPTIONAL PART, TO E00155,(4JH-DT, 4JH-DTZ

① Ref. No.

The Ref. No. listed may not be in accordance with the illustration Ref. No.

(Ex.) Illustration No.

List Ref No.

1 1 (Before change) → 1-1 (After change)

For interchangeable symbols N, R and K, illustrations for new parts may be abbreviated.

② Lev. (Level)

Level indication

The numbers below indicate the level of relativity towards the main part.

1 ---- Main parts (Assembly parts)

2 ---- Sub component included in " 1 ".

3 ---- Sub component included in " 2 ".

Note) Parts that are not for sale are partially illustrated but not listed.

③ Interchangeability Mark

When a part change takes place, one of the following interchangeability symbols is indicated beside the part.

Symbol	Interchangeability	Contents note
N	Old $\begin{matrix} \leftarrow \text{Yes} \\ \text{No} \rightarrow \end{matrix}$ New	New Part is interchangeable for Old Part but Old Part is not interchangeable for New Part.
Q	Old $\begin{matrix} \leftarrow \text{No} \\ \text{Yes} \rightarrow \end{matrix}$ New	New Part is not interchangeable for Old Part but Old Part is interchangeable for New Part.
R	Old $\begin{matrix} \leftarrow \text{Yes} \\ \text{Yes} \rightarrow \end{matrix}$ New	New/ Old Parts are both interchangeable.
S	Old $\begin{matrix} \leftarrow \text{No} \\ \text{No} \rightarrow \end{matrix}$ New	New/ Old Parts are both not interchangeable.
W		Part newly added.
Z		Part discontinued.
F		Not interchangeable by a single part but interchangeable together with related parts.
K		Changes only for used parts quantities.

④ Effective Machine No.

When a part changes, the effective Machine No. will be indicated in the (A)-(F) column.

Product Symbol	Product No.	Product Symbol	Product No.
C	Clutch No. Compressor No.	F	Machine No. (Agricultural Equip.)
D	Drive No.	M	Machine No.
E	Engine No.	Note 1)	Date

Note 1) A date may follow the symbol. (Ex.) 1996.01

Note 2) " XXX " are for parts that could not be predicted or for engine models that could not be identified.

Note 3) (A=E00185) is the E (Engine Serial Number) for the column (A) model (in this case 4JH-DT) after the parts design change.

⑤ Remarks Mark

Figures or alphabets (symbols) are entered in the remarks column.

The comments (remarks) on parts that are indicated at the bottom of the illustration are the same symbols as those stated above.

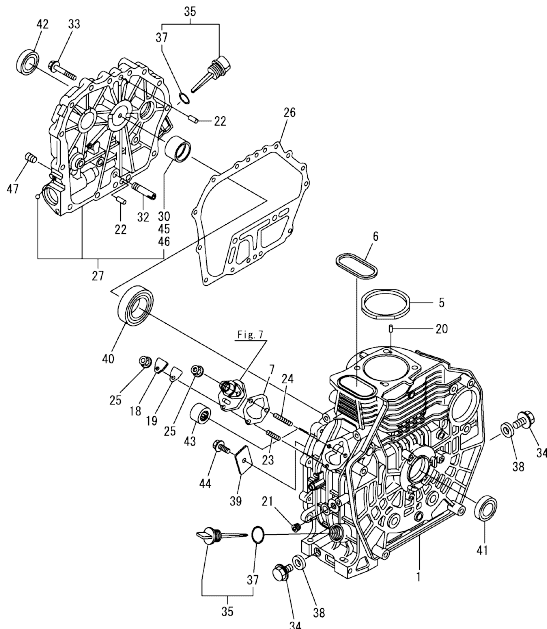
Contents

0CW10-M59800

Fig. No.	Fig. Name	Fig. No.	Fig. Name
L70N6AJ8R2AAPC			
1.	CYLINDER BLOCK		
2.	CYLINDER HEAD & BONNET		
3.	AIR CLEANER & MUFFLER		
4.	CRANKSHAFT,PISTON & CAMSHAFT		
5.	LUB.OIL PUMP & GOVERNOR		
6.	COOLING & STARTING DEVICE		
7.	F.I.PUMP & F.I.VALVE		
8.	FUEL TANK & FUEL PIPE		
9.	STARTING MOTOR & DYNAMO		
10.	TOOL,LABEL & GASKET SET		

0CW10-M59800 L70N6AJ8R2AAPC
 Fig.1. CYLINDER BLOCK

0CW10-M59800 Fig.1



(A)=L70N6AJ8R2AAPC
 (B)=
 (C)=

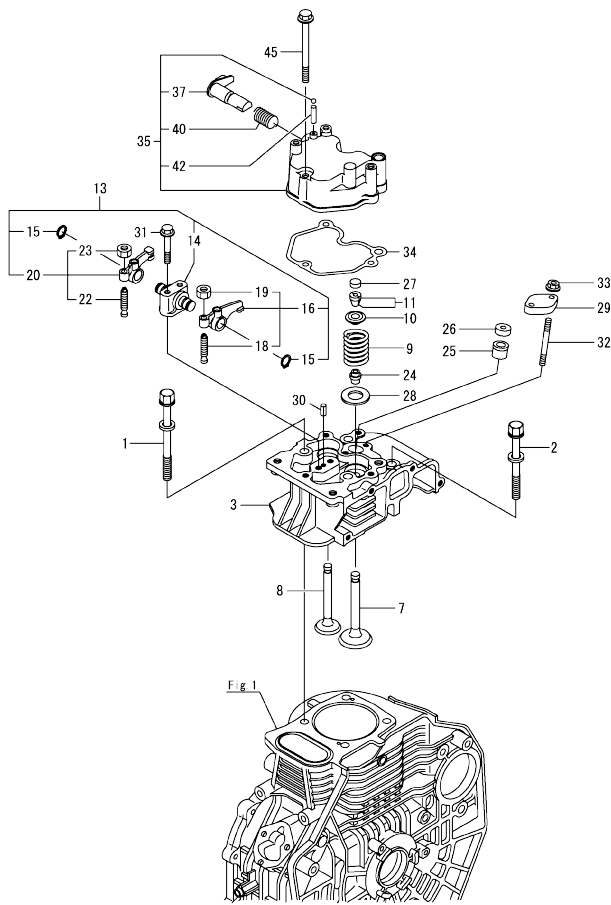
(D)=
 (E)=
 (F)=

No.	Lev.	Parts No.	Description	Q'ty						I	R
				(A)	(B)	(C)	(D)	(E)	(F)		
1	1	114210-01020	BLOCK ASSY. CYLINDER	1							
5	1	114395-01341	GASKET, HEAD 0.5	1							
6	1	114399-01380	O-RING	1							
7	1	114299-01800	SHIM SET	1							
18	1	114299-01830	COVER	1							
19	1	114250-01841	GASKET	1							
20	1	22312-040080	PIN, PARALLEL M4X 8	2							
21	1	23875-020000	PLUG, R02	1							
22	1	114299-01600	PIN, 8X12	2							
23	1	26226-060182	STUD, M6X 18	1							
24	1	26226-060222	STUD, M6X 22	2							
25	1	26366-060002	NUT, M6	3							
26	1	114399-01410	GASKET, CRANK CASE	1							
27	1	114210-01450	COVER(E-D,CRANK CASE	1							
30	2	114350-02100	BEARING, MAIN	1							1
32	1	114299-35150	PIPE, OIL INLET	1							
33	1	26106-080352	BOLT, M8X 35 PLATED	15							
34	1	114299-01690	PLUG M16	2							
35	1	114699-01760	CAP ASSY	2							
37	2	114299-01950	O-RING, 18	2							
38	1	22190-160002	WASHER, SEAL 16	2							
39	1	114299-02030	RETAINER, BEARING	1							
40	1	114350-02113	BEARING, B35-135G3C3	1							
41	1	160110-02220	SEAL, OIL	1							
42	1	160110-02220	SEAL, OIL	1							
43	1	24162-152116	BEARING, 152116	1							
44	1	26106-080122	BOLT, M8X 12 PLATED	1							
45	1	114350-02200	BEARING, 0.25 US	1							2
46	1	114350-02210	BEARING, 0.50 US	1							3
47	1	23876-010000	PLUG, R01	1							

Remarks
 (1) Repair parts.
 (2) Under sized(U.S.=0.25)parts.
 (3) Under sized(U.S.=0.50)parts.

N:Old $\frac{100}{100}$ New, Q:Old $\frac{100}{100}$ New, R:Old $\frac{100}{100}$ New, S:Old $\frac{100}{100}$ New, W:Add, Z:Discontinued, F:Interchangeable by set, K:Q'ty Change
 Copyright (C) YANMAR CO., LTD. All Rights Reserved.

Fig.2. CYLINDER HEAD & BONNET

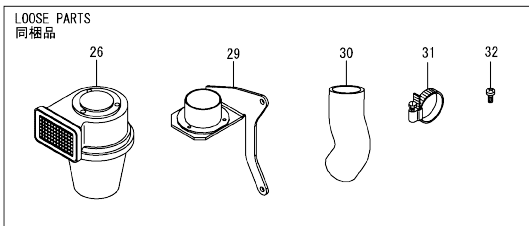
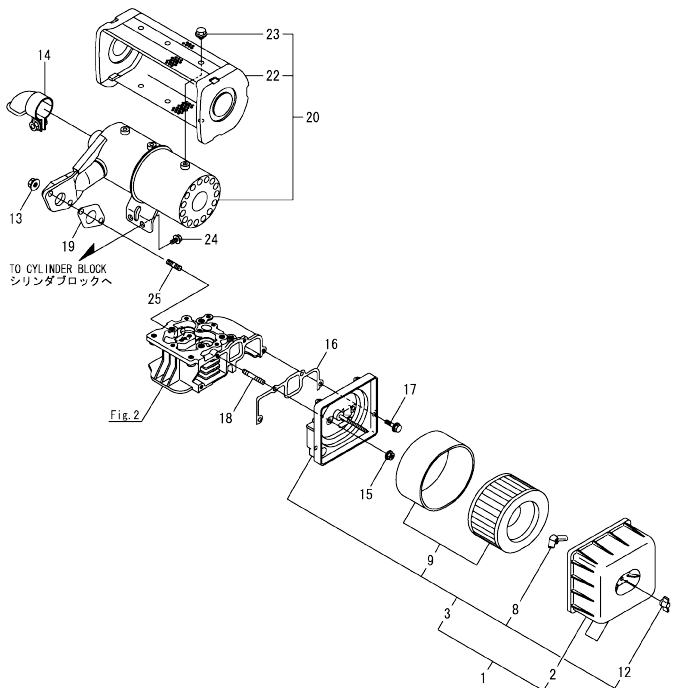


(A)=L70N6AJ8R2AAPC
(B)=
(C)=

(D)=
(E)=
(F)=

No.	Lev.	Parts No.	Description	Qty						I	R		
				(A)	(B)	(C)	(D)	(E)	(F)				
1	1	114210-01200	BOLT, CYL HEAD A										
2	1	114210-01210	BOLT, CYL HEAD B										
3	1	114220-11020	HEAD ASSY, CYLINDER										
7	1	114210-11100	VALVE, INTAKE										
8	1	114210-11110	VALVE, EXHAUST										
9	1	114210-11120	SPRING, VALVE										
10	1	114210-11180	RETAINER, SPRING										
11	1	114210-11930	COTTER ASSY										
13	1	114210-11250	SUPPORT ASSY, ROCKER										
14	2	114210-11260	SUPPORT, ROCKER ARM										
15	2	114210-11280	C TYPE RETAINING RIN										
16	2	114210-11650	ARM ASSY, INTAKE										
18	3	114299-11240	SCREW, ADJUSTING										
19	3	26856-060002	NUT, M6										
20	2	114210-11660	ARM ASSY, EXHAUST										
22	3	114299-11240	SCREW, ADJUSTING										
23	3	26856-060002	NUT, M6										
24	1	114350-11340	SEAL, VALVE STEM										
25	1	114240-11450	PROTECTOR, NOZZLE										
26	1	114240-11550	SEAT, NOZZLE										
27	1	105010-11490	CAP, VALVE										
28	1	114299-11600	WASHER, VALVE SPRING										
29	1	114210-11901	RETAINER, NOZZLE										
30	1	22351-040008	PIN, SPRING 4.0X 8										
31	1	26106-060402	BOLT, M6X 40 PLATED										
32	1	26226-060552	STUD, M6X 55										
33	1	26366-060002	NUT, M6										
34	1	114210-11310	GASKET, BONNET										
35	1	114210-11950	BONNET ASSY, HEAD										
37	2	114210-03590	DECOMPRESSION ASSY										
40	2	114299-03640	SPRING, DECOMPRESSION										
42	2	22312-030160	PIN, PARALLEL M3X16										
45	1	26106-060552	BOLT, M6X 55 PLATED										

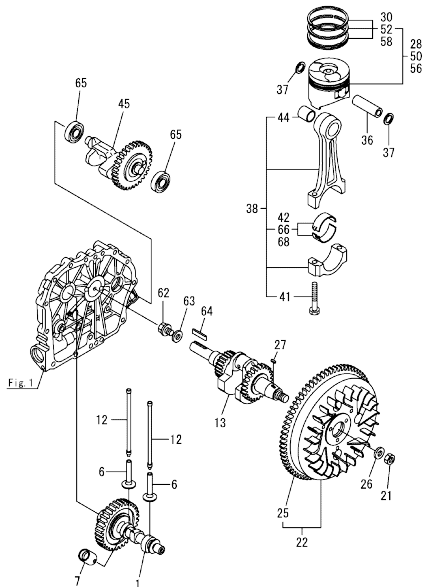
Fig.3. AIR CLEANER & MUFFLER



No.	Lev.	Parts No.	Description	Q'ty						I	R
				(A)	(B)	(C)	(D)	(E)	(F)		
1	1	114220-12510	CLEANER ASSY, AIR	1							
2	2	114239-12520	COVER, AIR CLEANER	1							
3	2	114220-12910	CLEANER ASSY(SUB,AIR)	1							
8	3	114210-12560	NUT, WING	1							
9	3	114210-12590	ELEMENT ASSY	1							
12	3	114210-12600	LOCKING KNOB	1							
13	1	26366-080002	NUT, M8	2							
14	1	114299-13800	EXTENSION ASSY	1							
15	1	114299-12300	NUT	3							
16	1	114210-12210	GASKET, AIR CLEANER	1							
17	1	26106-060202	BOLT, M6X 20 PLATED	1							
18	1	26226-060302	STUD, M6X 30	3							
19	1	114299-13200	GASKET, MUFFLER	1							
20	1	114368-13501	MUFFLER ASSY	1							
22	2	114268-13700	COVER, SILENCER	1							
23	2	26106-060082	BOLT, M6X 8 PLATED	6							
24	1	26106-060142	BOLT, M6X 14 PLATED	2							
25	1	26216-080182	STUD, M8X 18	2							
26	1	114239-12900	CLEANER ASSY, PRE	1							
29	1	114239-12960	STAY, PRE CLEANER	1							
30	1	114239-12970	PIPE, PRE CLEANER	1							
31	1	23000-070000	CLAMP, 70	2							
32	1	26557-050122	SCREW, M5X12	3							

N:Old $\frac{REV}{REV}$ New, Q:Old $\frac{REV}{REV}$ New, R:Old $\frac{REV}{REV}$ New, S:Old $\frac{REV}{REV}$ New, W:Add, Z:Discontinued, F:Interchangeable by set, K:Q'ty Change
Copyright (C) YANMAR CO., LTD. All Rights Reserved.

Fig.4. CRANKSHAFT,PISTON & CAMSHAFT



(A)=L70N6AJ8R2AAPC
(B)=
(C)=

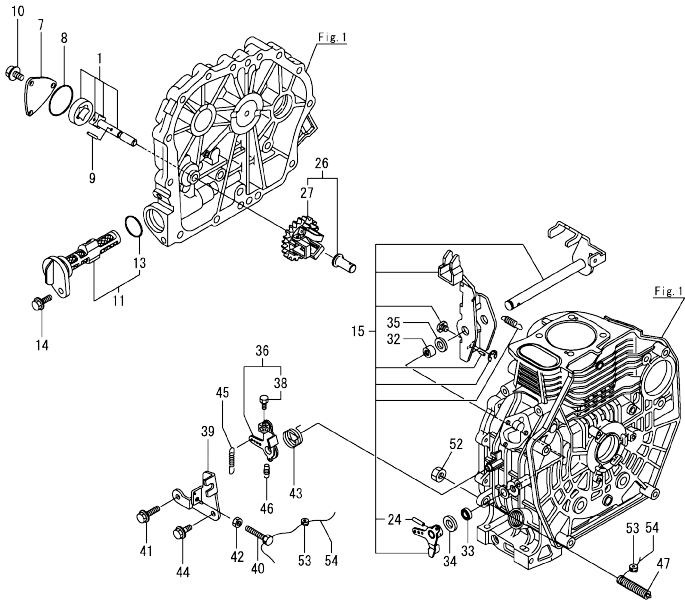
(D)=
(E)=
(F)=

No.	Lev.	Parts No.	Description	Q'ty						I	R
				(A)	(B)	(C)	(D)	(E)	(F)		
1	1	714220-14580	CAMSHAFT ASSY	1							
6	1	114210-14200	TAPPET	2							
7	1	114210-14300	TAPPET ASSY,ROLLER	1							
12	1	114210-14400	ROD ASSY, PUSH	2							
13	1	71421C-21010	CRANKSHAFT ASSY	1							
21	1	114299-21220	NUT	1							
22	1	114399-21590	FLYWHEEL ASSY	1							
25	2	114399-21600	GEAR, RING	1							
26	1	114299-21550	WASHER	1							
27	1	22512-040120	KEY, 4X 12	1							
28	1	714220-22720	PISTON W/RINGS (D	1							
30	2	714870-22502	RING SET, PISTON	1							
36	1	114399-22300	PIN, PISTON D=21	1							
37	1	22252-000210	RING, 21	2							
38	1	714210-23701	ROD ASSY, CONNECTING	1							
41	2	118200-23200	BOLT, CONNECTING ROD	2							
42	2	114210-23600	BEARING, CRANK PIN	1							
44	2	114380-23100	BEARING, PISTON PIN	1							
45	1	714210-28510	SHAFT ASSY, BALANCER	1							
50	1	714220-22620	PISTON W/RING .25OS	1							1
52	2	714870-22542	RING SET, 0.25 OS	1							1
56	1	714220-22580	PISTON W/RING .50OS	1							2
58	2	714870-22552	RING SET, 0.50 OS	1							2
62	1	26106-080202	BOLT, M8X 20 PLATED	1							
63	1	160310-14550	WASHER	1							
64	1	22512-070360	KEY, 7X 36	1							
65	1	24101-062030	BEARING, BALL 6203C3	2							
66	1	114210-23610	BEARING,PIN(U.S.=0.25	1							3
68	1	114210-23620	BEARING,PIN(U.S.=0.50	1							4

Remarks

- (1) Over sized(U.S.=0.25)parts.
- (2) Over sized(U.S.=0.50)parts.
- (3) Under sized(U.S.=0.25)parts.
- (4) Under sized(U.S.=0.50)parts.

Fig.5. LUB.OIL PUMP & GOVERNOR

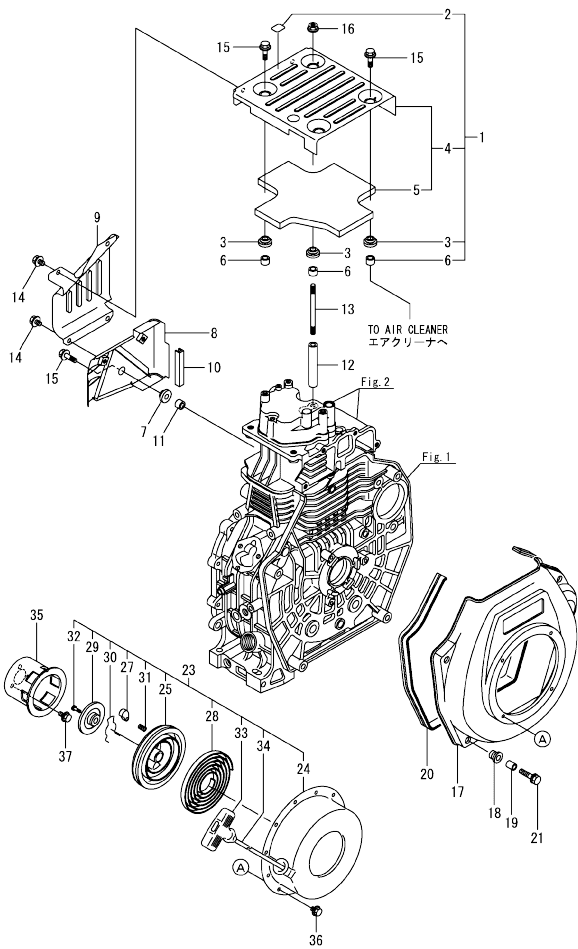


(A)=L70N6AJ8R2AAPC
(B)=
(C)=

(D)=
(E)=
(F)=

No.	Lev.	Parts No.	Description	Qty						I	R
				(A)	(B)	(C)	(D)	(E)	(F)		
1	1	114250-32010	PUMP ASSY, OIL	1							
7	1	114299-32070	COVER	1							
8	1	114299-32570	O-RING	1							
9	1	22312-030160	PIN, PARALLEL M3X16	1							
10	1	26106-060122	BOLT, M6X 12 PLATED	3							
11	1	114299-35110	FILTER ASSY, OIL	1							
13	2	24341-000224	O-RING, 1AS22.4	1							
14	1	26106-060162	BOLT, M6X 16 PLATED	1							
15	1	114211-61500	LEVER ASSY, GOVERNOR	1							
24	2	22322-030200	PIN, TAPER 3X20	1							
26	1	714210-61701	GOVERNOR ASSY	1							
27	2	114210-61290	WEIGHT ASSY, GOVERNOR	1							
32	1	114770-61520	BEARING, NEEDLE	2							
33	1	114299-61600	SEAL, OIL	1							
34	1	114770-61610	WASHER, THRUST	1							
35	1	114299-61190	WASHER	1							
36	1	114252-66053	HANDLE, REGULATOR	1							
38	2	105225-66990	SCREW, M5X8.5	1							
39	1	114349-66110	BRACKET, REGULATOR	1							
40	1	114299-66440	BOLT, ADJUSTING	1							
41	1	26106-060202	BOLT, M6X 20 PLATED	1							
42	1	26757-060002	NUT, LOCK M6	1							
43	1	114299-66250	SPRING, RETURN	1							
44	1	26106-060142	BOLT, M6X 14 PLATED	1							
45	1	114220-66010	SPRING, REGULATOR	1							
46	1	114299-66200	SPRING, RETURN	1							
47	1	114220-66600	LIMITER ASSY, FUEL	1							
52	1	26776-100002	NUT, LOCK M10	1							
53	1	114780-61090	TIN	2							
54	1	22451-060000	WIRE, 0.6	2							

Fig.6. COOLING & STARTING DEVICE

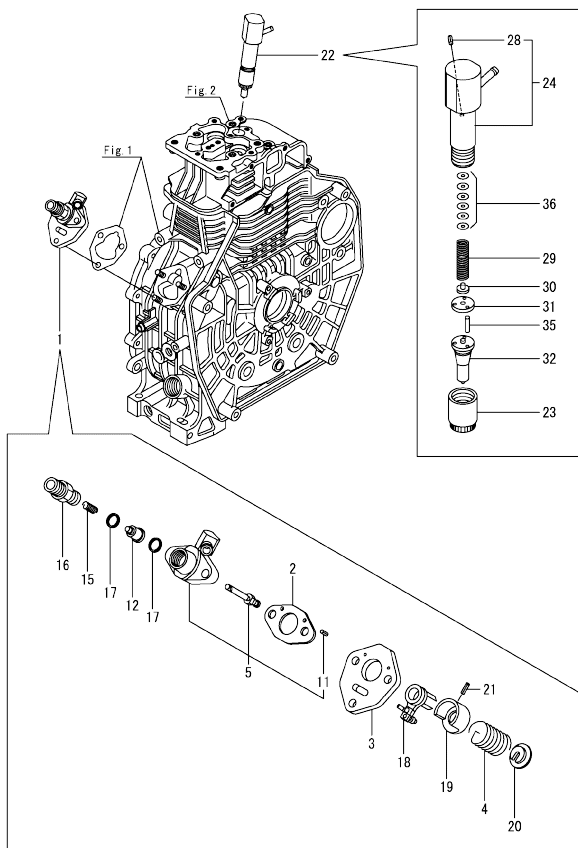


(A)=L70N6AJ8R2AAPC
(B)=
(C)=

(D)=
(E)=
(F)=

No.	Lev.	Parts No.	Description	Qty						I	R
				(A)	(B)	(C)	(D)	(E)	(F)		
1	1	114220-45200	TOP COVER, ASSY	1							
2	2	114220-07120	LABEL, DECOMPRESSION	1							
3	2	114299-45220	GROMMET	4							
4	2	114210-45300	COVER, TOP(BLACK)(13)	1							
5	3	114210-45310	DAMPER	1							
6	2	114399-45340	COLLAR	4							
7	1	114299-45220	GROMMET	1							
8	1	114210-45260	COVER B, SIDE (13)	1							
9	1	114210-45270	COVER A, SIDE (13)	1							
10	1	114399-45320	RUBBER, SEAL	1							
11	1	114399-45340	COLLAR	1							
12	1	114210-45350	SPACER, TOP COVER	1							
13	1	114210-45360	STUD BOLT, TOP COVER	1							
14	1	26106-060082	BOLT, M6X 8 PLATED	4							
15	1	26106-060202	BOLT, M6X 20 PLATED	4							
16	1	26366-060002	NUT, M6	1							
17	1	114210-45100-1	CASE, COOLING FAN	1							
18	1	114299-45301	RUBBER, CUSHION	4							
19	1	114299-45310	COLLAR	4							
20	1	114299-45331	SEAL, FAN CASE	1							
21	1	114299-45350	BOLT, FAN CASE	4							
23	1	114399-76251	RECOIL STARTER(D)ASY	1							
24	2	114399-76510	CASE, STARTER	1							
25	2	114399-76521	REEL, RECOIL	1							
27	2	114399-76531	RATCHET	1							
28	2	114399-76540	SPRING, SPIRAL	1							
29	2	114399-76550	COVER	1							
30	2	114399-76560	SPRING	1							
31	2	114399-76570	SPRING, RETURN	1							
32	2	114399-76580	SCREW	1							
33	2	114399-76620	KNOB, STARTER	1							
34	2	114399-76630	ROPE, STARTER	1							
35	1	114399-76590	PULLEY, STARTER	1							
36	1	26106-060082	BOLT, M6X 8 PLATED	4							
37	1	26106-060122	BOLT, M6X 12 PLATED	3							

Fig.7. F.I.PUMP & F.I.VALVE

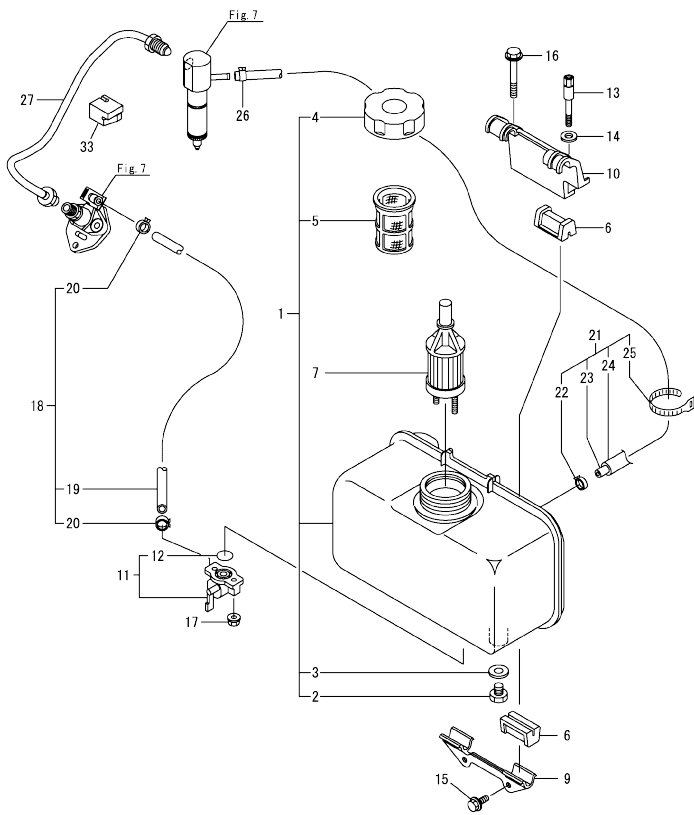


(A)=L70N6AJ8R2AAPC
(B)=
(C)=

(D)=
(E)=
(F)=

No.	Lev.	Parts No.	Description	Q'ty					
				(A)	(B)	(C)	(D)	(E)	(F)
1	1	714239-51200	F.I.PUMP ASSY	1					
2	2	105546-51020	GASKET	1					
3	2	114250-51080	PLATE	1					
4	2	114250-51160	SPRING, PLUNGER	1					
5	2	114239-51100	BODY ASSY, PUMP	1					
11	4	22351-020006	PIN, SPRING 2.0X 6	2					
12	2	114650-51300	VALVE ASSY, DELIVERY	1					
15	2	105546-51330	SPRING, DELIVERY	1					
16	2	114250-51340	HOLDER, DELIVERY	1					
17	2	124550-51350	GASKET, DELIVERY	2					
18	2	114250-51600	LEVER ASSY, CONTROL	1					
19	2	114250-51640	SEAT, SPRING A	1					
20	2	114250-51650	SEAT, SPRING B	1					
21	2	22351-030008	PIN, SPRING 3.0X 8	1					
22	1	714239-53200	VALVE ASSY, INJECTION	1					
23	2	114250-53080	NUT, NOZZLE D16.95	1					
24	2	114339-53100	HOLDER ASSY, NOZZLE	1					
28	3	22351-025005	PIN, SPRING 2.5X 6	1					
29	2	114250-53120	SPRING, NOZZLE	1					
30	2	114250-53130	SEAT, SPRING	1					
31	2	114250-53140	PLATE	1					
32	2	114239-53200	NOZZLE ASSY	1					
35	2	114250-53210	PIN	2					
36	2	114250-53400	SHIM SET	1					

Fig.8. FUEL TANK & FUEL PIPE

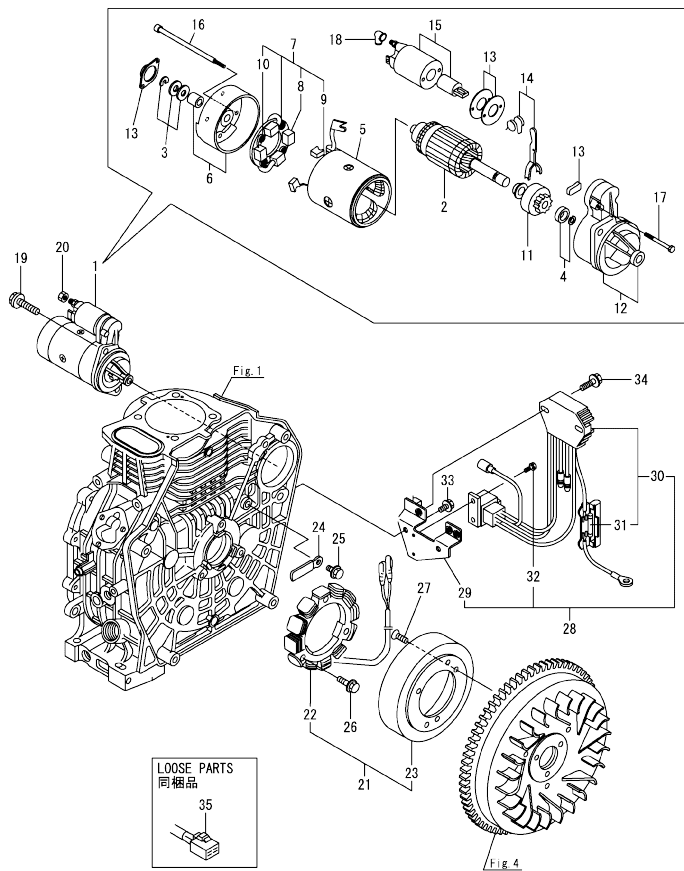


(A)=L70N6AJ8R2AAPC
(B)=
(C)=

(D)=
(E)=
(F)=

No.	Lev.	Parts No.	Description	Q'ty						I	R
				(A)	(B)	(C)	(D)	(E)	(F)		
1	1	11421C-55010	TANK, FUEL OIL	1							
2	2	114299-55080	PLUG, DRAIN	1							
3	2	23414-080000	GASKET, 8X1.0	1							
4	2	114299-55040	CAP ASSY, FUEL TANK	1							
5	1	114299-55100	ELEMENT, FUEL FILTER	1							
6	1	114250-55201	DAMPER, FUEL TANK	4							
7	1	114239-55120	FILTER ASSY, FUEL	1							
9	1	114210-55210	STAY, FUEL TANK A	1							
10	1	114210-55230	STAY, FUEL TANK B	1							
11	1	114250-55301	COCK ASSY, FUEL	1							
12	2	24341-000150	O-RING, 1AS15.0	1							
13	1	114210-55810	BOLT, LIFTING	1							
14	1	22117-080000	WASHER, 8	1							
15	1	26106-060162	BOLT, M6X 16 PLATED	2							
16	1	26106-080452	BOLT, M8X 45 PLATED	1							
17	1	26366-060002	NUT, M6	2							
18	1	114780-59010	PIPE ASSY, FUEL L50	1							
19	2	114780-59060	PIPE, FUEL L=50	1							
20	2	23080-014000	CLAMP, 14	2							
21	1	114239-59300	PIPE ASSY, RETURN	1							
21-1	1	114239-59301	PIPE ASSY, FO RETURN	1							N
(A=2019.03)											
22	2	124722-59050	CLAMP, HOSE 9	2							
23	2	114650-59060	PIPE, FUEL RETURN	1							
23-1	2	114650-59061	PIPE, FO RETURN	1							N
(A=2019.03)											
24	2	114652-59310	TUBE, PROTECT	1							
25	2	121750-59890	BAND, NYLON	1							
26	2	124066-59100	CLAMP, HOSE 8	1							
27	1	114210-59800	PIPE ASSY, INJECTION	1							
33	1	114210-59850	SUPPORT, PIPE	1							

Fig.9. STARTING MOTOR & DYNAMO



(A)=L70N6AJ8R2AAPC
(B)=
(C)=

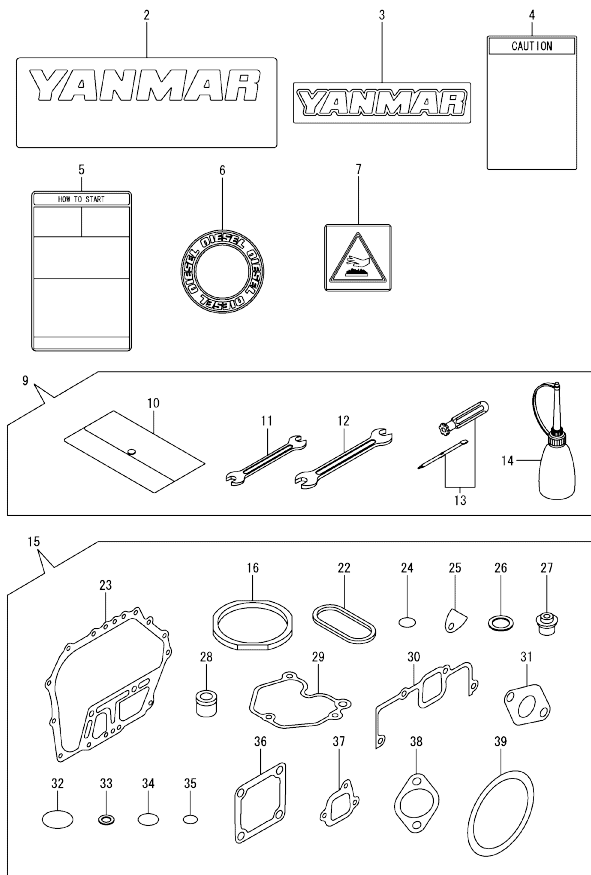
(D)=
(E)=
(F)=

No.	Lev.	Parts No.	Description	Qty						I	R	
				(A)	(B)	(C)	(D)	(E)	(F)			
1	1	114362-77011	STARTER(HITACHI 12V	1								
2	2	114381-77110	ARMATURE	1								
3	2	X2114811000	WASHER KIT, THRUST	1								
4	2	X2114715500	STOPPER SET, PINION	1								
5	2	114381-77130	COIL ASSY, FIELD	1								
6	2	114381-77140	COVER, REAR	1								
7	2	114371-77160	HOLDER ASSY, BRUSH	1								
8	3	114371-79040	BRUSH (-)	2								
9	3	114371-79050	BRUSH (+)	1								
10	3	114371-79060	SPRING, BRUSH	4								
11	2	X211485016	PINION ASSY	1								
12	2	114381-77151	HOUSING ASSY, GEAR	1								
13	2	114371-77170	COVER KIT, DUST	1								
14	2	114371-77180	LEVER KIT, SHIFT	1								
15	2	124298-77020	SWITCH, MAGNETIC	1								
16	2	124195-77770	THROUGH BOLT	2								
17	2	114371-79070	BOLT M 6X 37	2								
18	2	X2114274200	COVER, TERMINAL	1								
19	1	26106-100302	BOLT, M10X 30 PLATED	2								
20	1	26716-080002	NUT, M8	1								
21	1	114399-78280	DINAMO ASSY, 15A	1								
22	2	114399-78770	STATOR ASSY	1								
23	2	114399-78780	WHEEL, DYNAMO	1								
24	1	160710-78710	CLAMP, CORD	1								
25	1	26106-060122	BOLT, M6X 12 PLATED	1								
26	1	26106-060202	BOLT, M6X 20 PLATED	3								
27	1	26577-060142	SCREW M 6X 14	3								
28	1	114399-77560	REG. & HARNESS ASSY	1								
29	2	114399-77410	BRACKET, HARNESS	1								
30	2	114399-77720	FUSE (20A), CARTRIDGE	1								
31	3	114399-78000	FUSE(20A	1								
32	2	26023-040102	SCREW, M4X10	2								
33	1	26106-060122	BOLT, M6X 12 PLATED	2								
34	1	26106-060202	BOLT, M6X 20 PLATED	2								
35	1	114351-77520	COUPLER	1								

Fig.10. TOOL,LABEL & GASKET SET

(A)=L70N6AJ8R2AAPC
(B)=
(C)=

(D)=
(E)=
(F)=



No.	Lev.	Parts No.	Description	Q'ty						I	R
				(A)	(B)	(C)	(D)	(E)	(F)		
2	1	114299-07100	LABEL, AIR COOLED	1							
3	1	114299-07110	LABEL, YANMAR	1							
4	1	114220-07100	LABEL, CAUTION	1							
5	1	114220-07110	LABEL HOW TO START-E	1							
6	1	114299-07160	LABEL, DIESEL	1							
7	1	114220-07130	LABEL, HOT SURFACE	1							
9	1	114299-92590	BOX, TOOL	1							
10	2	114299-92600	BAG, TOOL	1							
11	2	114299-92710	WRENCH	1							
12	2	114299-92720	WRENCH	1							
13	2	114299-92730	DRIVER	1							
14	2	114299-92740	DIPSTICK	1							
15	1	114220-92600	GASKET SET	1							1
16	2	114395-01330	GASKET, HEAD	1							
22	2	114399-01380	O-RING	1							
23	2	114399-01410	GASKET, CRANK CASE	1							
24	2	114299-01950	O-RING, 18	2							
25	2	114250-01841	GASKET	1							
26	2	22190-160002	WASHER, SEAL 16	2							
27	2	114350-11340	SEAL, VALVE STEM	2							
28	2	114771-11461	GASKET, NOZZLE	1							
29	2	114210-11310	GASKET, BONNET	1							
30	2	114210-12210	GASKET, AIR CLEANER	1							
31	2	114299-13200	GASKET, MUFFLER	1							
32	2	114299-32570	O-RING	1							
33	2	23414-080000	GASKET, 8X1.0	1							
34	2	24341-000224	O-RING, 1AS22.4	1							
35	2	24341-000150	O-RING, 1AS15.0	1							
36	2	129100-77510	GASKET, AIR HEATER	3							
37	2	114299-12210	GASKET, AIR CLEANER	2							
38	2	114299-12920	GASKET, AIR CLEANER	1							
39	2	114399-21980	GASKET	1							

Remarks

(1) Optional parts.

Parts No. Index

Parts No.	Fig. No.	Ref. No.
105010-11490	2	27
105225-66990	5	38
105546-51020	7	2
105546-51330	7	15
114210-01020	1	1
114210-01200	2	1
114210-01210	2	2
114210-01450	1	27
114210-03590	2	37
114210-11100	2	7
114210-11110	2	8
114210-11120	2	9
114210-11180	2	10
114210-11250	2	13
114210-11260	2	14
114210-11280	2	15
114210-11310	2	34
	10	29
114210-11650	2	16
114210-11660	2	20
114210-11901	2	29
114210-11930	2	11
114210-11950	2	35
114210-12210	3	16
	10	30
114210-12560	3	8
114210-12590	3	9
114210-12600	3	12
114210-14200	4	6
114210-14300	4	7
114210-14400	4	12
114210-23600	4	42
114210-23610	4	66
114210-23620	4	68
114210-45100-1	6	17
114210-45260	6	8
114210-45270	6	9
114210-45300	6	4
114210-45310	6	5
114210-45350	6	12
114210-45360	6	13
114210-55210	8	9
114210-55230	8	10
114210-55810	8	13
114210-59800	8	27
114210-59850	8	33
114210-61290	5	27
114211-61500	5	15
11421C-55010	8	1
114220-07100	10	4

Parts No.	Fig. No.	Ref. No.
114220-07110	10	5
114220-07120	6	2
114220-07130	10	7
114220-11020	2	3
114220-12510	3	1
114220-12910	3	3
114220-45200	6	1
114220-66010	5	45
114220-66600	5	47
114220-92600	10	15
114239-12520	3	2
114239-12900	3	26
114239-12960	3	29
114239-12970	3	30
114239-51100	7	5
114239-53200	7	32
114239-55120	8	7
114239-59300	8	21
114239-59301	8	21 -1
114240-11450	2	25
114240-11550	2	26
114250-01841	1	19
	10	25
114250-32010	5	1
114250-51080	7	3
114250-51160	7	4
114250-51340	7	16
114250-51600	7	18
114250-51640	7	19
114250-51650	7	20
114250-53080	7	23
114250-53120	7	29
114250-53130	7	30
114250-53140	7	31
114250-53210	7	35
114250-53400	7	36
114250-55201	8	6
114250-55301	8	11
114252-66053	5	36
114268-13700	3	22
114299-01600	1	22
114299-01690	1	34
114299-01800	1	7
114299-01830	1	18
114299-01950	1	37
	10	24
114299-02030	1	39
114299-03640	2	40
114299-07100	10	2
114299-07110	10	3

Parts No.	Fig. No.	Ref. No.
114299-07160	10	6
114299-11240	2	18
		22
114299-11600	2	28
114299-12210	10	37
114299-12300	3	15
114299-12920	10	38
114299-13200	3	19
	10	31
114299-13800	3	14
114299-21220	4	21
114299-21550	4	26
114299-32070	5	7
114299-32570	5	8
	10	32
114299-35110	5	11
114299-35150	1	32
114299-45220	6	3
		7
114299-45301	6	18
114299-45310	6	19
114299-45331	6	20
114299-45350	6	21
114299-55040	8	4
114299-55080	8	2
114299-55100	8	5
114299-61190	5	35
114299-61600	5	33
114299-66200	5	46
114299-66250	5	43
114299-66440	5	40
114299-92590	10	9
114299-92600	10	10
114299-92710	10	11
114299-92720	10	12
114299-92730	10	13
114299-92740	10	14
114339-53100	7	24
114349-66110	5	39
114350-02100	1	30
114350-02113	1	40
114350-02200	1	45
114350-02210	1	46
114350-11340	2	24
	10	27
114351-77520	9	35
114362-77011	9	1
114368-13501	3	20
114371-77160	9	7
114371-77170	9	13

Parts No.	Fig. No.	Ref. No.
114371-77180	9	14
114371-79040	9	8
114371-79050	9	9
114371-79060	9	10
114371-79070	9	17
114380-23100	4	44
114381-77110	9	2
114381-77130	9	5
114381-77140	9	6
114381-77151	9	12
114395-01330	10	16
114395-01341	1	5
114399-01380	1	6
	10	22
114399-01410	1	26
	10	23
114399-21590	4	22
114399-21600	4	25
114399-21980	10	39
114399-22300	4	36
114399-45320	6	10
114399-45340	6	6
		11
114399-76251	6	23
114399-76510	6	24
114399-76521	6	25
114399-76531	6	27
114399-76540	6	28
114399-76550	6	29
114399-76560	6	30
114399-76570	6	31
114399-76580	6	32
114399-76590	6	35
114399-76620	6	33
114399-76630	6	34
114399-77410	9	29
114399-77560	9	28
114399-77720	9	30
114399-78000	9	31
114399-78280	9	21
114399-78770	9	22
114399-78780	9	23
114650-51300	7	12
114650-59060	8	23
114650-59061	8	23 -1
114652-59310	8	24
114699-01760	1	35
114770-61520	5	32
114770-61610	5	34
114771-11461	10	28

Parts No. Index

Parts No.	Fig. No.	Ref. No.
114780-59010	8	18
114780-59060	8	19
114780-61090	5	53
118200-23200	4	41
121750-59890	8	25
124066-59100	8	26
124195-77770	9	16
124298-77020	9	15
124550-51350	7	17
124722-59050	8	22
129100-77510	10	36
160110-02220	1	41
		42
160310-14550	4	63
160710-78710	9	24
22117-080000	8	14
22190-160002	1	38
	10	26
22252-000210	4	37
22312-030160	2	42
	5	9
22312-040080	1	20
22322-030200	5	24
22351-020006	7	11
22351-025005	7	28
22351-030008	7	21
22351-040008	2	30
22451-060000	5	54
22512-040120	4	27
22512-070360	4	64
23000-070000	3	31
23080-014000	8	20
23414-080000	8	3
	10	33
23875-020000	1	21
23876-010000	1	47
24101-062030	4	65
24162-152116	1	43
24341-000150	8	12
	10	35
24341-000224	5	13
	10	34
26023-040102	9	32
26106-060082	3	23
	6	14
		36
26106-060122	5	10
	6	37
	9	25
		33

Parts No.	Fig. No.	Ref. No.
26106-060142	3	24
	5	44
26106-060162	5	14
	8	15
26106-060202	3	17
	5	41
	6	15
	9	26
		34
26106-060402	2	31
26106-060552	2	45
26106-080122	1	44
26106-080202	4	62
26106-080352	1	33
26106-080452	8	16
26106-100302	9	19
26216-080182	3	25
26226-060182	1	23
26226-060222	1	24
26226-060302	3	18
26226-060552	2	32
26366-060002	1	25
	2	33
	6	16
	8	17
26366-080002	3	13
26557-050122	3	32
26577-060142	9	27
26716-080002	9	20
26757-060002	5	42
26776-100002	5	52
26856-060002	2	19
		23
714210-23701	4	38
714210-28510	4	45
714210-61701	5	26
71421C-21010	4	13
714220-14580	4	1
714220-22580	4	56
714220-22620	4	50
714220-22720	4	28
714239-51200	7	1
714239-53200	7	22
714870-22502	4	30
714870-22542	4	52
714870-22552	4	58
X2114274200	9	18
X2114715500	9	4
X2114811000	9	3
X211485016	9	11

Parts No.	Fig. No.	Ref. No.
-----------	----------	----------

Parts No.	Fig. No.	Ref. No.
-----------	----------	----------