

OCR10-M73300EN

# Introduction

1. This parts catalog is a first edition of the L70N6FF1P1AAID, L70N6FF1T1AAID Diesel engine for Italian Dealers.

	Parts catalog No.	Date of issue	Remarks
First edition	000Y00R7330	May, 2008	

2. This parts catalog does not contain the technical data needed for maintenance service.

3. The illustrations used in this parts catalog have been simplified for clarity.

4. The contents of this parts catalog are subject to change without notice.

5. Be sure to use only Yanmar genuine parts for repairs. If imitation parts are used, it may cause engine defects.

## Directions for the Parts Catalog.

1. This Parts Catalog shows both standard and optional parts.
2. Parts may change without prior notice.
3. The following is an example of the Parts Catalog format.

REF.	LEV.	PARTS NO.	DESCRIPTION	Q'TY						I	R
				(A)	(B)	(C)	(D)	(E)	(F)		
1	1	729595-51390	FUEL INJECTION PUMP	1	1	1	1	1			1
1-1	1	729595-51391	FUEL INJECTION PUMP	1	1	1	1	1		N	1
		(A=E00185) (B=E00200)									
3	2	26022-060162	SCREW M 6X 16	9	9	9	9	9			
3-1	2	26022-060162	SCREW M 6X 16	4	4	4	4	4		K	
		(A=E00156) (B=E00156) (C=E00156) (D=E00156) (E=E00156)									
4	2	129470-51040	CAMSHAFT	1	1	1	1	1			
5	2	122710-51050	BEARING, ROLLER	2	2	2	2	2			
6	2	129470-51060	RETAINER	1	1	1	1	1			

Remarks
(1) BOOST COMPEMSATOR TYPE. OPTIONAL PART, TO E00155,(4JH-DT, 4JH-DTZ

### ① Ref. No.

The Ref. No. listed may not be in accordance with the illustration Ref. No.

(Ex.) Illustration No.

List Ref No.

1 1 (Before change) → 1-1 (After change)

For interchangeable symbols N, R and K, illustrations for new parts may be abbreviated.

### ② Lev. (Level)

Level indication

The numbers below indicate the level of relativity towards the main part.

1 ---- Main parts (Assembly parts)

2 ---- Sub component included in " 1 ".

3 ---- Sub component included in " 2 ".

Note) Parts that are not for sale are partially illustrated but not listed.

### ③ Interchangeability Symbol

When a part change takes place, one of the following interchangeability symbols is indicated beside the part.

Symbol	Interchangeability	Contents note
N	Old $\begin{matrix} \leftarrow \text{Yes} \\ \text{No} \rightarrow \end{matrix}$ New	New Part is interchangeable for Old Part but Old Part is not interchangeable for New Part.
Q	Old $\begin{matrix} \leftarrow \text{No} \\ \text{Yes} \rightarrow \end{matrix}$ New	New Part is not interchangeable for Old Part but Old Part is interchangeable for New Part.
R	Old $\begin{matrix} \leftarrow \text{Yes} \\ \text{Yes} \rightarrow \end{matrix}$ New	New/ Old Parts are both interchangeable.
S	Old $\begin{matrix} \leftarrow \text{No} \\ \text{No} \rightarrow \end{matrix}$ New	New/ Old Parts are both not interchangeable.
W		Part newly added.
Z		Part discontinued.
F		Not interchangeable by a single part but interchangeable together with related parts.
K		Changes only for used parts quantities.

### ④ Effective Machine No.

When a part changes, the effective Machine No. will be indicated in the (A)-(F) column.

Product Symbol	Product No.	Product Symbol	Product No.
C	Clutch No. Compressor No.	F	Machine No. (Agricultural Equip.)
D	Drive No.	M	Machine No.
E	Engine No.		

Note 1) A date may follow the symbol. (Ex.) 1996.01

Note 2) "XXXXX" and "ZZZZZ" are for parts that could not be predicted or for engine models that could not be identified.

Note 3) (A=E00185) is the E (Engine Serial Number) for the column (A) model (in this case 4JH-DT) after the parts design change.

### ⑤ Remarks

Figures or alphabets (symbols) are entered in the remarks column.

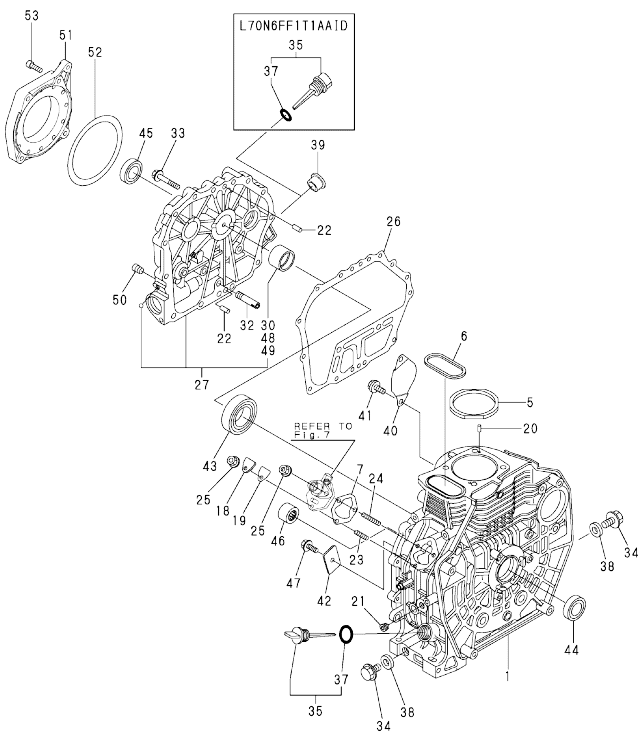
The comments (remarks) on parts that are indicated at the bottom of the illustration are the same symbols as those stated above.

## Contents

OCR10-M73300

Fig. No.	Fig. Name	Fig. No.	Fig. Name
L70N6FF(1P1/1T1)AAID			
1.	CYLINDER BLOCK		
2.	CYLINDER HEAD & BONNET		
3.	AIR CLEANER & MUFFLER		
4.	CRANKSHAFT, PISTON & CAMSHAFT		
5.	LUB.OIL PUMP & GOVERNOR		
6.	COOLING & STARTING DEVICE		
7.	F.I.PUMP & F.I.VALVE		
10.	7A. F.I.PUMP & F.I.VALVE		
8.	FUEL TANK & FUEL PIPE		
9.	TOOL, LABEL & GASKET SET		

Fig.1. CYLINDER BLOCK



(A)=L70N6FF1P1AAID  
(B)=L70N6FF1T1AAID  
(C)=

(D)=  
(E)=  
(F)=

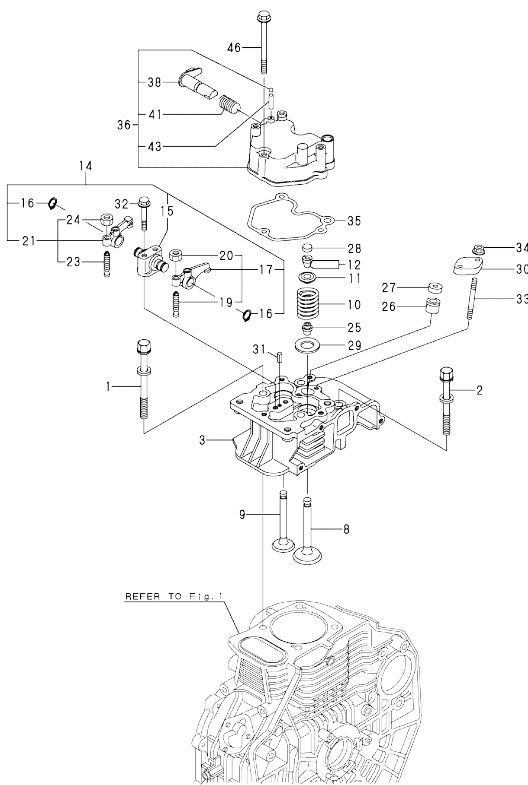
No.	Lev.	Parts No.	Description	Q'ty						I	R
				(A)	(B)	(C)	(D)	(E)	(F)		
1	1	114210-01020	BLOCK ASSY, CYLINDER	1	1						
5	1	114395-01340	GASKET, HEAD T=0.5	1	1						
6	1	114399-01380	O-RING, TAPPET	1	1						
7	1	114299-01800	SHIM SET, PUMP	1	1						
18	1	114299-01830	COVER, PUMP	1	1						
19	1	114250-01841	GASKET, COVER	1	1						
20	1	22312-040080	PIN, PARALLEL M4X 8	2	2						
21	1	23875-020000	PLUG, R02	1	1						
22	1	114299-01600	PIN, PARALLEL 8X12	2	2						
23	1	26226-060182	STUD, M6X 18	1	1						
24	1	26226-060222	STUD, M6X 22	2	2						
25	1	26366-060002	NUT, M6	3	3						
26	1	114399-01410	GASKET, CASE COVER	1	1						
27	1	114210-01450	COVER, CRANK CASE	1	1						
30	2	114350-02100	METAL, MAIN	1	1						1
32	1	114299-35150	PIPE, OIL INLET	1	1						
33	1	26106-080352	BOLT, M8X 35 PLATED	15	15						
34	1	114299-01690	PLUG, DRAIN 16	2	2						
35	1	114699-01760	CAP ASSY, OIL SUPPLY	1	2						
37	2	114299-01950	O-RING, 18	1	2						
38	1	22190-160002	WASHER, SEAL 16	2	2						
39	1	160110-01870	PLUG, RUBBER 22	1							
39-1	1	114940-01870	PLUG, RUBBER 22	1							N
(A=2019.02)											
40	1	114399-01700	COVER, STARTER	1	1						
41	1	26106-100122	BOLT, M10X 12 PLATED	2	2						
42	1	114299-02030	RETAINER, BEARING	1	1						
43	1	114350-02113	BEARING, B35-135G3C3	1	1						
44	1	160110-02220	SEAL, OIL 30X45X8	1	1						
45	1	160110-02220	SEAL, OIL 30X45X8	1	1						
46	1	24162-152116	BEARING, 152116	1	1						
47	1	26106-080122	BOLT, M8X 12 PLATED	1	1						
48	1	114350-02200	METAL, MAIN 0.25 US	1	1						2
49	1	114350-02210	METAL, MAIN 0.50 US	1	1						3
50	1	23876-010000	PLUG, R01	1	1						
51	1	114399-21960	FLANGE	1	1						
52	1	114399-21980	GASKET	1	1						
53	1	26453-080252	BOLT, M8X 25	4	4						

Remarks  
(1)REPAIR PART.  
(2)UNDER SIZED(U.S.=0.25)PART.  
(3)UNDER SIZED(U.S.=0.50)PART.

Fig.2. CYLINDER HEAD & BONNET

(A)=L70N6FF1P1AAID  
(B)=L70N6FF1T1AAID  
(C)=

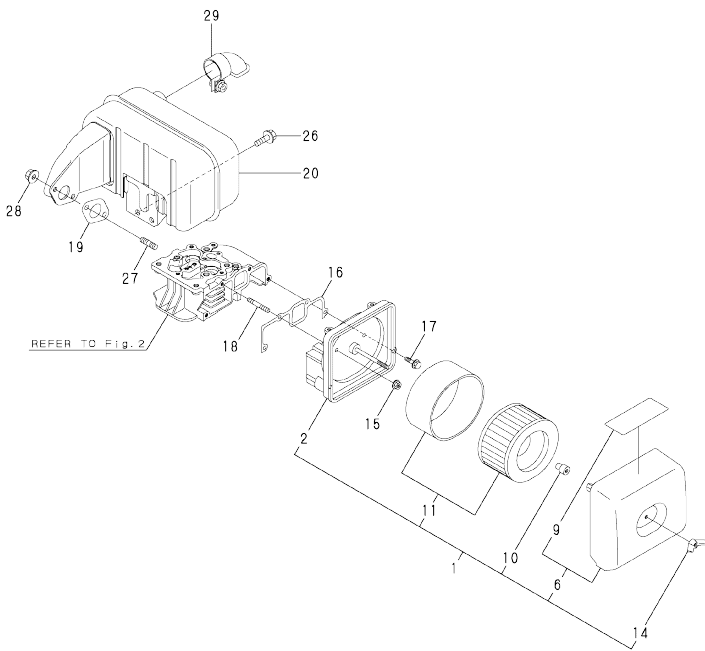
(D)=  
(E)=  
(F)=



No.	Lev.	Parts No.	Description	Q'ty						I	R
				(A)	(B)	(C)	(D)	(E)	(F)		
1	1	114210-01200	BOLT, CYL.HEAD A	2	2						
2	1	114210-01210	BOLT, CYL.HEAD B	2	2						
3	1	114220-11020	HEAD ASSY, CYLINDER	1	1						
8	1	114210-11100	VALVE, INTAKE	1	1						
9	1	114210-11110	VALVE, EXHAUST	1	1						
10	1	114210-11120	SPRING, VALVE	2	2						
11	1	114210-11180	RETAINER, SPRING	2	2						
12	1	114210-11930	COTTER ASSY	2	2						
14	1	114210-11250	SUPPORT ASSY, ROCKER	1	1						
15	2	114210-11260	SUPPORT, ROCKER ARM	1	1						
16	2	114210-11280	C TYPE RETAINING RIN	2	2						
17	2	114210-11650	ARM ASSY, INTAKE	1	1						
19	3	114299-11240	SCREW, ADJUSTING	1	1						
20	3	26856-060002	NUT, M6	1	1						
21	2	114210-11660	ARM ASSY, EXHAUST	1	1						
23	3	114299-11240	SCREW, ADJUSTING	1	1						
24	3	26856-060002	NUT, M6	1	1						
25	1	114350-11340	SEAL, VALVE STEM	2	2						
26	1	114771-11461	GASKET, NOZZLE	1	1						S
26-1	1	114240-11450	PROTECTOR, NOZZLE	1	1						W 1
27	1	114295-11470	SPACER, NOZZLE	1	1						S
27-1	1	114240-11550	SEAT, NOZZLE	1	1						W 1
28	1	105010-11490	CAP, VALVE	2	2						
29	1	114299-11600	WASHER, VALVE SPRING	2	2						
30	1	114210-11901	RETAINER, NOZZLE	1	1						
31	1	22351-040008	PIN, SPRING 4.0X 8	1	1						
32	1	26106-060402	BOLT, M6X 40 PLATED	2	2						
33	1	26226-060552	STUD, M6X 55	2	2						
34	1	26366-060002	NUT, M6	2	2						
35	1	114210-11310	GASKET, BONNET	1	1						
36	1	114210-11950	BONNET ASSY, HEAD	1	1						
38	2	114210-03590	SHAFT ASSY, DECOMP.	1	1						
41	2	114299-03640	SPRING, DECOMPRESSION	1	1						
43	2	22312-030160	PIN, PARALLEL M3X16	1	1						
46	1	26106-060552	BOLT, M6X 55 PLATED	3	3						

Remarks  
(1)Fig.2 Ref.26-1, Fig.2 Ref.27-1,  
Fig.8 Ref.24-1, Fig.8 Ref.25A,  
Fig.10 Ref.22,  
are interchangeable when replaced  
at the same time.

Fig.3. AIR CLEANER & MUFFLER

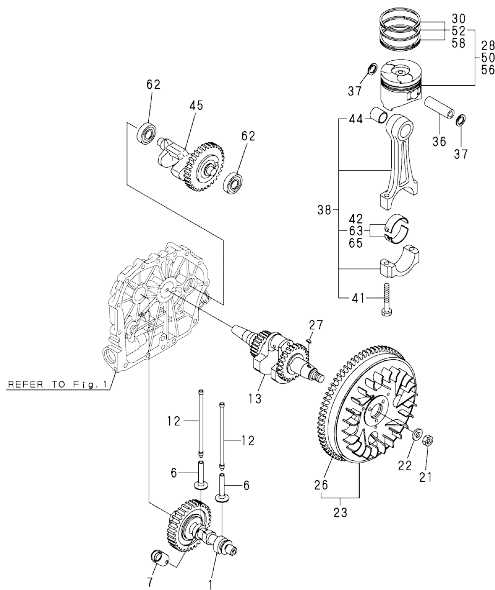


(A)=L70N6FF1P1AAID  
 (B)=L70N6FF1T1AAID  
 (C)=

(D)=  
 (E)=  
 (F)=

No.	Lev.	Parts No.	Description	Q'ty					
				(A)	(B)	(C)	(D)	(E)	(F)
1	1	114210-12511	CLEANER ASSY, AIR	1	1				
2	2	114210-12010	BODY ASSY, AIR CLNR	1	1				
6	2	114210-12500	COVER ASSY, AIR CLNR	1	1				
9	3	114210-12610	LABEL, AIR CLEANER	1	1				
10	2	114210-12560	NUT, WING	1	1				
11	2	114210-12590	ELEMENT ASSY	1	1				
14	2	114210-12600	LOCKING KNOB	1	1				
15	1	114299-12300	NUT	3	3				
16	1	114210-12210	GASKET, AIR CLEANER	1	1				
17	1	26106-060202	BOLT, M6X 20 PLATED	1	1				
18	1	26226-060302	STUD, M6X 30	3	3				
19	1	114299-13200	GASKET, MUFFLER	1	1				
20	1	114399-13520	MUFFLER ASSY	1	1				
26	1	26106-060142	BOLT, M6X 14 PLATED	2	2				
27	1	26216-080182	STUD, M8X 18	2	2				
28	1	26366-080002	NUT, M8	2	2				
29	1	114299-13800	EXTENSION ASSY	1	1				

Fig.4. CRANKSHAFT, PISTON & CAMSHAFT



(A)=L70N6FF1P1AAID  
(B)=L70N6FF1T1AAID  
(C)=

(D)=  
(E)=  
(F)=

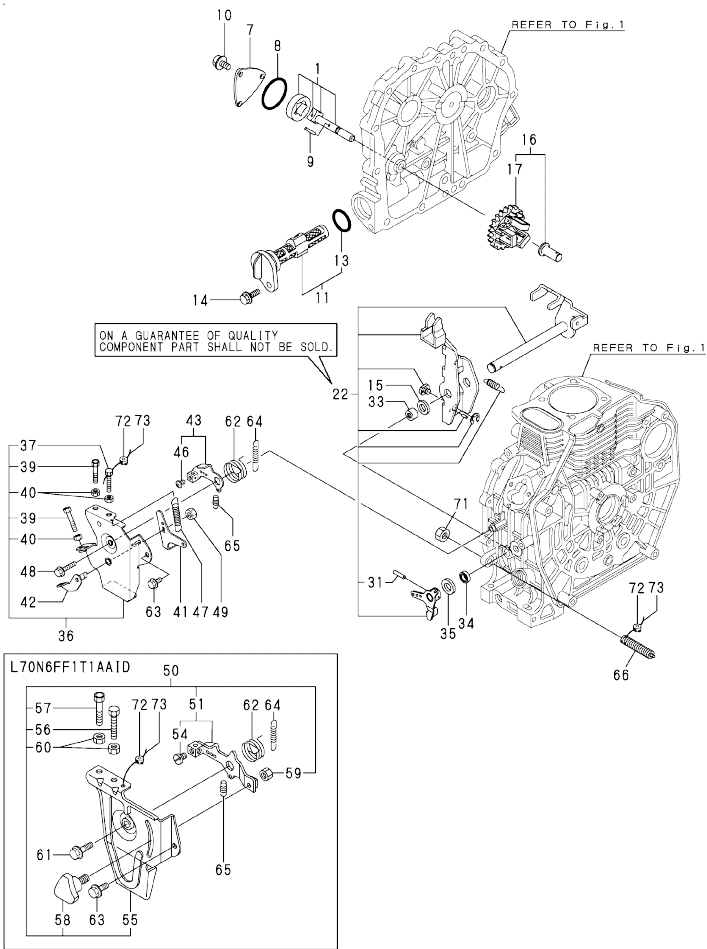
No.	Lev.	Parts No.	Description	Q'ty						
				(A)	(B)	(C)	(D)	(E)	(F)	
1	1	714220-14580	CAMSHAFT ASSY	1	1					
6	1	114210-14200	TAPPET	2	2					
7	1	114210-14300	TAPPET ASSY, ROLLER	1	1					
12	1	114210-14400	ROD ASSY, PUSH	2	2					
13	1	714210-21760	CRANKSHAFT(E-DI ASSY	1	1					
21	1	114299-21220	NUT	1	1					
22	1	114299-21550	WASHER	1	1					
23	1	114399-21590	FLYWHEEL ASSY	1	1					
26	2	114399-21600	GEAR, RING	1	1					
27	1	22512-040120	KEY, 4X 12	1	1					
28	1	714220-22720	PISTON W/RINGS (D	1	1					
30	2	714870-22502	RING SET, PISTON	1	1					
36	1	114399-22300	PIN, PISTON D=21	1	1					
37	1	22252-000210	RING, 21	2	2					
38	1	714210-23701	ROD ASSY, CONNECTING	1	1					
41	2	118200-23200	BOLT, CONNECTING ROD	2	2					
42	2	114210-23600	BEARING, CRANK PIN	1	1					
44	2	114380-23100	BEARING, PISTON PIN	1	1					
45	1	714210-28510	SHAFT ASSY, BALANCER	1	1					
50	1	714220-22620	PISTON W/RING OS= 25	1	1					1
52	2	714870-22542	RING SET, 0.25 OS	1	1					1
56	1	714220-22580	PISTON W/RING OS=0.5	1	1					2
58	2	714870-22552	RING SET, 0.50 OS	1	1					2
62	1	24101-062030	BEARING, BALL 6203C3	2	2					
63	1	114210-23610	BEARING,PIN(U.S.=0.25	1	1					3
65	1	114210-23620	BEARING,PIN(U.S.=0.50	1	1					4

Remarks

- (1)OVER SIZED(O.S.=0.25)PART.
- (2)OVER SIZED(O.S.=0.50)PART.
- (3)UNDER SIZED(U.S.=0.25)PART.
- (4)UNDER SIZED(U.S.=0.50)PART.



Fig.5. LUB.OIL PUMP & GOVERNOR



(A)=L70N6FF1P1AAID  
(B)=L70N6FF1T1AAID  
(C)=

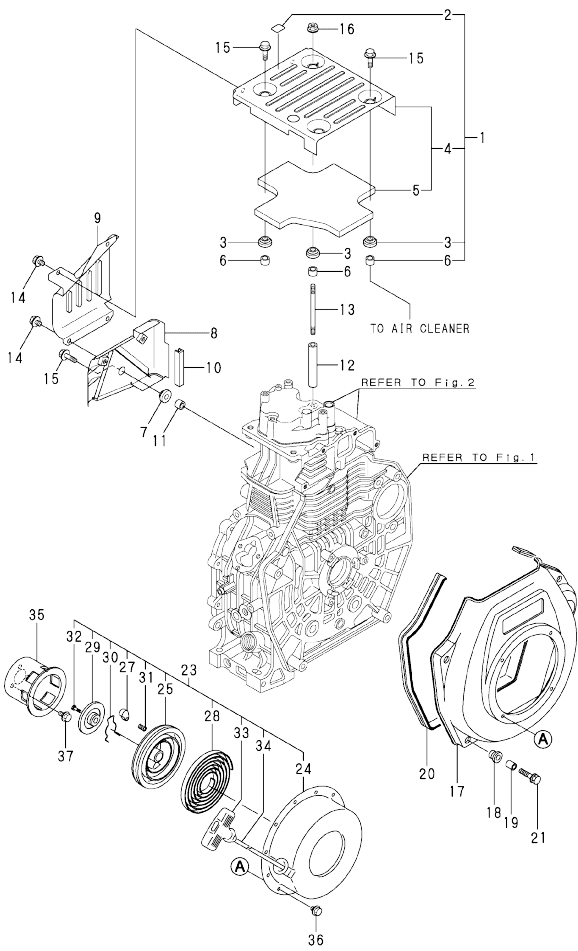
(D)=  
(E)=  
(F)=

No.	Lev.	Parts No.	Description	Q'ty						I	R
				(A)	(B)	(C)	(D)	(E)	(F)		
1	1	114250-32010	PUMP ASSY, OIL	1	1						
7	1	114299-32070	COVER	1	1						
8	1	114299-32570	O-RING	1	1						
9	1	22312-030160	PIN, PARALLEL M3X16	1	1						
10	1	26106-060122	BOLT, M6X 12 PLATED	3	3						
11	1	114299-35110	FILTER ASSY, OIL	1	1						
13	2	24341-000224	O-RING, 1AS22.4	1	1						
14	1	26106-060162	BOLT, M6X 16 PLATED	1	1						
15	1	114299-61190	WASHER	1	1						
16	1	714210-61701	GOVERNOR ASSY	1	1						
17	2	114210-61290	WEIGHT ASSY, GOVERNOR	1	1						
22	1	114211-61500	LEVER ASSY, GOVERNOR	1	1						
31	2	22322-030200	PIN, TAPER 3X20	1	1						
33	1	114770-61520	BEARING, NEEDLE	2	2						
34	1	114299-61600	SEAL, OIL	1	1						
35	1	114770-61610	WASHER, THRUST	1	1						
36	1	714299-66901	SPEED CONTROL TP 01	1	1						
37	2	114299-66440	BOLT, ADJUSTING	1	1						
39	2	114299-67080	BOLT, ADJUSTING	2	2						
40	2	26757-060002	NUT, LOCK M6	3	3						
41	1	114299-66920	LEVER, STOP	1	1						
42	1	114299-66932	LEVER, STOP OUT	1	1						
43	1	114299-66940	LEVER ASSY, REGULATOR	1	1						
46	2	26117-050089	BOLT, M5X 8 PLATED	1	1						
47	1	114310-66950	SPRING, STOP TILLER	1	1						
48	1	26106-060302	BOLT, M6X 30 PLATED	1	1						
49	1	26757-080002	NUT, LOCK M8	1	1						
50	1	714210-66100	SPEED CTRL, THAI		1						
51	2	114210-66060	HANDLE ASY, REGULATOR	1	1						
54	3	26117-050089	BOLT, M5X 8 PLATED	1	1						
55	2	114210-66100	BRACKET, REGULATOR	1	1						
56	2	114299-66440	BOLT, ADJUSTING	1	1						
57	2	114299-67080	BOLT, ADJUSTING	1	1						
58	2	160725-78350	KNOB	1	1						
59	2	26347-060002	NUT, M6	1	1						
60	2	26757-060002	NUT, LOCK M6	2	2						
61	1	26106-060202	BOLT, M6X 20 PLATED	1	1						
62	1	114299-66250	SPRING, RETURN	1	1						
63	1	26106-060142	BOLT, M6X 14 PLATED	1	1						
64	1	114220-66010	SPRING, REGULATOR	1	1						
65	1	114299-66200	SPRING, RETURN	1	1						
66	1	114220-66600	LIMITER ASSY, FUEL	1	1						
71	1	26776-100002	NUT, LOCK M10	1	1						
72	1	114780-61090	TIN	2	2						
73	1	22451-060000	WIRE, 0.6	2	2						

Fig.6. COOLING & STARTING DEVICE

(A)=L70N6FF1P1AAID  
(B)=L70N6FF1T1AAID  
(C)=

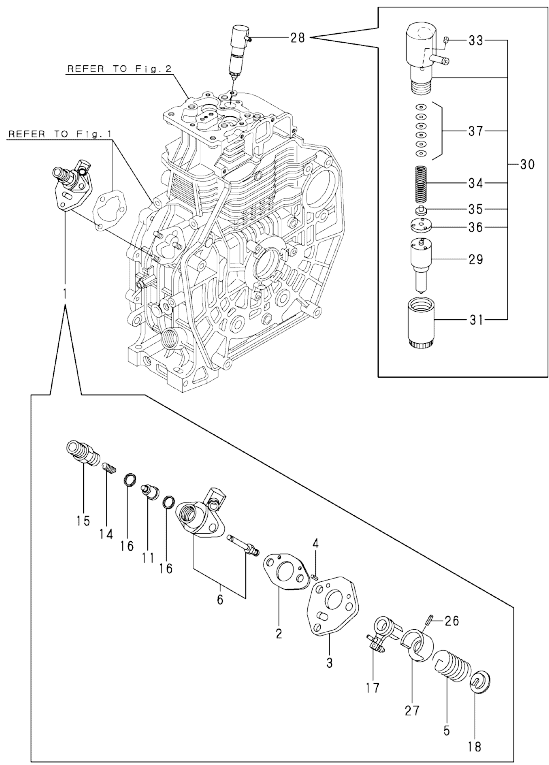
(D)=  
(E)=  
(F)=



No.	Lev.	Parts No.	Description	Q'ty						I	R
				(A)	(B)	(C)	(D)	(E)	(F)		
1	1	714210-45100	TOP COVER, ASSY	1	1						
2	2	114210-07200	LABEL, DECOMPRESSION	1	1						
3	2	114299-45220	GROMMET	4	4						
4	2	114210-45300	COVER, TOP(BLACK)(13)	1	1						
5	3	114210-45310	DAMPER	1	1						
6	2	114399-45340	COLLAR	4	4						
7	1	114299-45220	GROMMET	1	1						
8	1	114210-45260	COVER B. SIDE (13)	1	1						
9	1	114210-45270	COVER A. SIDE (13)	1	1						
10	1	114399-45320	RUBBER, SEAL	1	1						
11	1	114399-45340	COLLAR	1	1						
12	1	114210-45350	SPACER, TOP COVER	1	1						
13	1	114210-45360	STUD BOLT, TOP COVER	1	1						
14	1	26106-060082	BOLT, M6X 8 PLATED	4	4						
15	1	26106-060202	BOLT, M6X 20 PLATED	4	4						
16	1	26366-060002	NUT, M6	1	1						
17	1	114210-45100	FAN CASE(SILVER)(17)	1	1						
17-1	1	114210-45150	CASE, COOLING FAN	1	1						R
(A)=EXXXXXX (B)=EXXXXXX)											
18	1	114299-45301	RUBBER, CUSHION	4	4						
19	1	114299-45310	COLLAR	4	4						
20	1	114299-45330	SEAL, FAN CASE	1	1						
21	1	114299-45350	BOLT, FAN CASE	4	4						
23	1	114399-76251	RECOIL STARTER(D)ASY	1	1						
24	2	114399-76510	CASE, STARTER	1	1						
25	2	114399-76521	REEL, RECOIL	1	1						
27	2	114399-76531	RATCHET	1	1						
28	2	114399-76540	SPRING, SPIRAL	1	1						
29	2	114399-76550	COVER	1	1						
30	2	114399-76560	SPRING	1	1						
31	2	114399-76570	SPRING, RETURN	1	1						
32	2	114399-76580	SCREW	1	1						
33	2	114399-76620	KNOB, STARTER	1	1						
34	2	114399-76630	ROPE, STARTER	1	1						
35	1	114399-76590	PULLEY, STARTER	1	1						
36	1	26106-060082	BOLT, M6X 8 PLATED	4	4						
37	1	26106-060122	BOLT, M6X 12 PLATED	3	3						

OCR10-M73300 L70N6FF(1P1/1T1)AAID  
 Fig.7. F.I.PUMP & F.I.VALVE

OCR10-M73300 Fig.7



(A)=L70N6FF1P1AAID  
 (B)=L70N6FF1T1AAID  
 (C)=

(D)=  
 (E)=  
 (F)=

No.	Lev.	Parts No.	Description	Q'ty						I	R
				(A)	(B)	(C)	(D)	(E)	(F)		
1	1	714220-51100	PUMP ASSY, F.INJECT.	1	1						1
2	2	114299-51020	GASKET, PUMP BODY	1	1						
3	2	114299-51080	PLATE	1	1						
4	2	114299-51090	PIN, 2.0A X 6		2	2					
5	2	114299-51160	SPRING, PLUNGER	1	1						
6	2	114220-51200	BODY ASSY, PUMP	1	1						
11	2	114699-51300	VALVE ASSY, DELIVERY	1	1						
14	2	114299-51330	SPRING, VALVE	1	1						
15	2	114299-51340	HOLDER, DELIVERY	1	1						
16	2	114299-51350	PACKING, DELIVERY	2	2						
17	2	114299-51600	LEVER, CONTROL	1	1						
18	2	114299-51620	SEAT ASSY (B, SPRING	1	1						
26	2	114299-51630	PIN, 2.5A X 8	1	1						
27	2	114299-51640	SEAT, SPRING	1	1						
28	1	714220-53100	FUEL INJECTOR	1	1						2
29	2	114220-53000	NOZZLE ASSY	1	1						
30	2	114210-53100	HOLDER ASSY,NOZZLE	1	1						
31	3	114210-53080	NUT,NOZZLE	1	1						
33	3	114210-53330	PIN	1	1						
34	3	114210-53120	SPRING,NOZZLE	1	1						
35	3	114210-53130	SEAT,SPRING	1	1						
36	3	114210-53140	SPACER ASSY,VALVE	1	1						
37	3	114210-53400	SHIM SET	1	1						

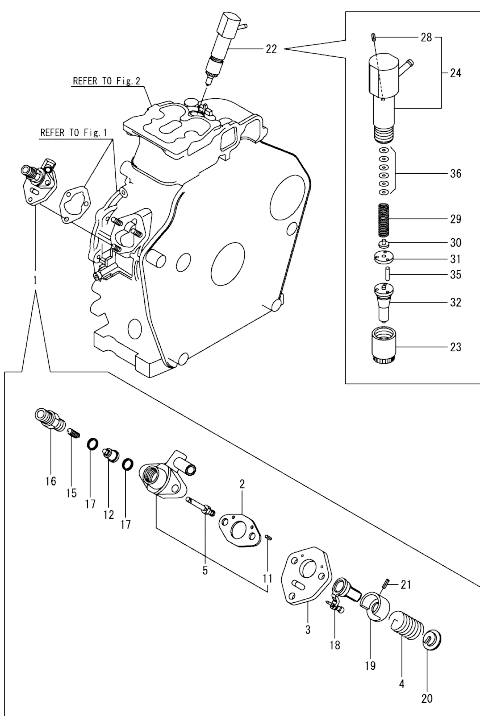
Remarks

- (1)New type is in Fig.10 Ref.1
- (2)New type is in Fig.10 Ref.22

Fig.10. 7A. F.I.PUMP & F.I.VALVE

(A)=L70N6FF1P1AAID  
(B)=L70N6FF1T1AAID  
(C)=

(D)=  
(E)=  
(F)=

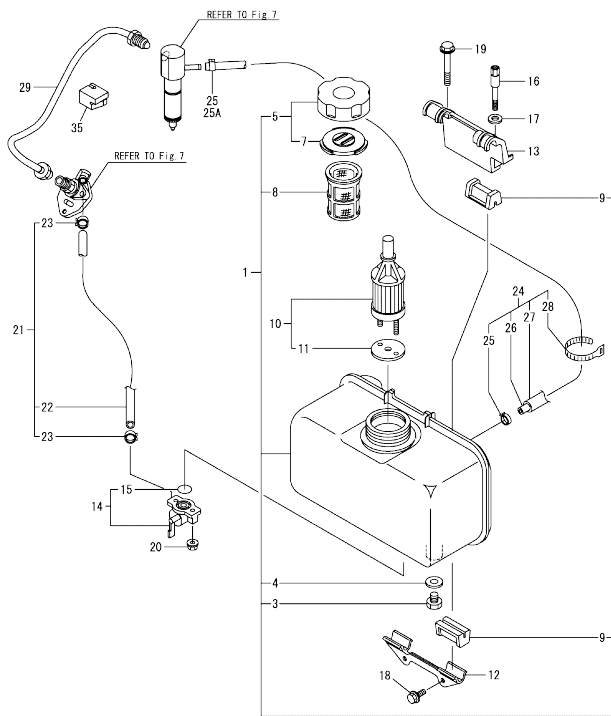


No.	Lev.	Parts No.	Description	Q'ty						I	R
				(A)	(B)	(C)	(D)	(E)	(F)		
1	1	714239-51200 (A=EZZZZZ)	PUMP ASSY, INJECTION (B=EZZZZZ)	1	1					N	1
2	2	105546-51020	GASKET, PUMP BODY	1	1						
3	2	114250-51080	PLATE	1	1						
4	2	114250-51160	SPRING, PLUNGER	1	1						
5	2	114239-51100	BODY ASSY, PUMP	1	1						
11	4	22351-020006	PIN, SPRING 2.0X 6	2	2						
12	2	114650-51300	VALVE ASSY, DELIVERY	1	1						
15	2	105546-51330	SPRING, DELIVERY	1	1						
16	2	114250-51340	HOLDER, DELIVERY	1	1						
17	2	124550-51350	GASKET, DELIVERY	2	2						
18	2	114250-51600	LEVER, CONTROL	1	1						
19	2	114250-51640	SEAT, SPRING A	1	1						
20	2	114250-51650	SEAT, SPRING B	1	1						
21	2	22351-030008	PIN, SPRING 3.0X 8	1	1						
22	1	714239-53200 (A=EZZZZZ)	VALVE ASSY, INJECTION (B=EZZZZZ)	1	1					F	2
23	2	114250-53080	NUT, NOZZLE	1	1						
24	2	114339-53100	HOLDER ASSY, NOZZLE	1	1						
28	3	22351-025005	PIN, SPRING 2.5X 6	1	1						
29	2	114250-53120	SPRING, NOZZLE	1	1						
30	2	114250-53130	SEAT, SPRING	1	1						
31	2	114250-53140	SPACER, VALVE STOP	1	1						
32	2	114239-53200	VALVE ASSY, INJECTION	1	1						
35	2	114250-53210	PIN, POSITIONING	2	2						
36	2	114250-53400	SHIM SET	1	1						

Remarks

- (1) Interchangeability with Fig.7 Ref.1
- (2) Fig.2 Ref.26-1, Fig.2 Ref.27-1, Fig.8 Ref.24-1, Fig.8 Ref.25A, Fig.10 Ref.22, are interchangeable when replaced at the same time.

Fig.8. FUEL TANK & FUEL PIPE



(A)=L70N6FF1P1AAID  
(B)=L70N6FF1T1AAID  
(C)=

(D)=  
(E)=  
(F)=

No.	Lev.	Parts No.	Description	Q'ty						I	R
				(A)	(B)	(C)	(D)	(E)	(F)		
1	1	714210-55700	TANK ASSY, FUEL	1	1						
3	3	114299-55080	PLUG, DRAIN	1	1						
4	3	23414-080000	GASKET, 8X1.0	1	1						
5	2	114288-55041	CAP ASSY, FUEL TANK	1	1						
7	3	114288-55081	VALVE	1	1						
8	2	114299-55100	ELEMENT, FUEL FILTER	1	1						
9	2	114250-55201	DAMPER, FUEL TANK	4	4						
10	1	114250-55121	FILTER ASSY, FUEL	1	1						
11	2	114250-55130	GASKET	1	1						
12	1	114210-55210	STAY, FUEL TANK A	1	1						
13	1	114210-55230	STAY, FUEL TANK B	1	1						
14	1	114250-55301	COCK ASSY, FUEL	1	1						
15	2	24341-000150	O-RING, 1AS15.0	1	1						
16	1	114210-55810	BOLT, LIFTING	1	1						
17	1	22117-080000	WASHER, 8	1	1						
18	1	26106-060162	BOLT, M6X 16 PLATED	2	2						
19	1	26106-080452	BOLT, M8X 45 PLATED	1	1						
20	1	26368-060002	NUT, M6	2	2						
21	1	114780-59010	PIPE ASSY, FUEL L50	1	1						
22	2	114780-59060	PIPE, FUEL L=50	1	1						
23	2	23080-014000	CLAMP, 14	2	2						
24	1	114210-59300	PIPE ASSY, RETURN	1	1						S
		(A=*2008.09) (B=*2008.09)									
24-1	1	114239-59300	PIPE ASSY, RETURN	1	1						W 1
		(A=*2008.09) (B=*2008.09)									
24-2	1	114239-59301	PIPE ASSY, FO RETURN	1	1						N 1
		(A=*2019.03) (B=*2019.03)									
25	2	124722-59050	CLAMP, HOSE 9	2	2						
25-1	2	124722-59050	CLAMP, HOSE 9	1	1						K
		(A=*2008.09) (B=*2008.09)									
25A	2	124066-59100	CLAMP, HOSE 8	1	1						W 1
		(A=*2008.09) (B=*2008.09)									
26	2	114650-59060	PIPE, FUEL RETURN	1	1						
26-1	2	114650-59061	PIPE, FO RETURN	1	1						N
		(A=*2019.03) (B=*2019.03)									
27	2	114652-59310	TUBE, PROTECT	1	1						
28	2	121750-59890	BAND, NYLON	1	1						
29	1	114210-59800	PIPE ASSY, INJECTION	1	1						
35	1	114210-59850	SUPPORT, PIPE	1	1						

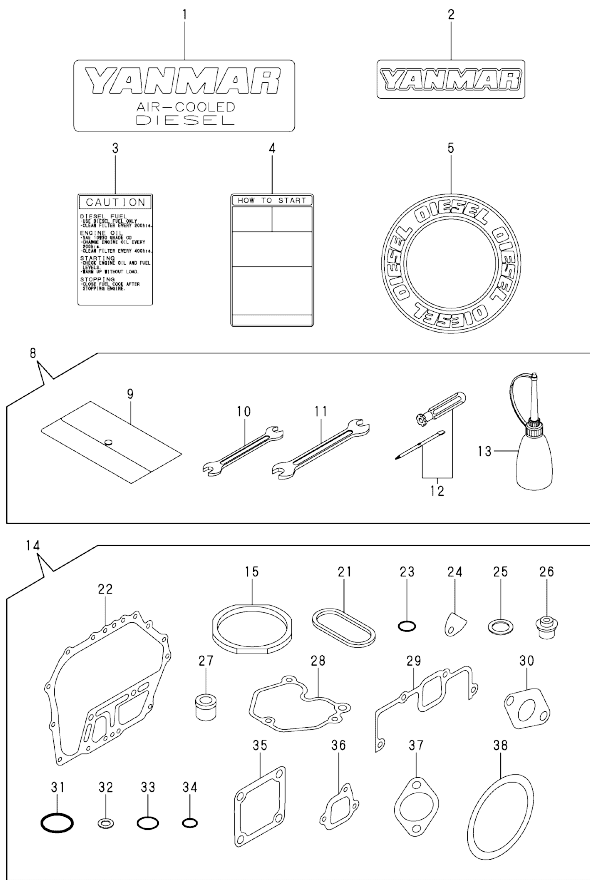
Remarks

(1)Fig.2 Ref.26-1, Fig.2 Ref.27-1,  
Fig.8 Ref.24-1, Fig.8 Ref.25A,  
Fig.10 Ref.22,  
are interchangeable when replaced  
at the same time.

Fig.9. TOOL, LABEL & GASKET SET

(A)=L70N6FF1P1AAID  
(B)=L70N6FF1T1AAID  
(C)=

(D)=  
(E)=  
(F)=



No.	Lev.	Parts No.	Description	Q'ty						I	R
				(A)	(B)	(C)	(D)	(E)	(F)		
1	1	114299-07100	LABEL, YANMAR MARK A	1	1						
2	1	114299-07110	LABEL, YANMAR	1	1						
3	1	114210-07120	LABEL, CAUTION	1	1						
4	1	114210-07130	LABEL HOW TO START-E	1	1						
5	1	114299-07160	LABEL, DIESEL	1	1						
8	1	114299-92590	BOX, TOOL	1	1						
9	2	114299-92600	BAG, TOOL	1	1						
10	2	114299-92710	WRENCH	1	1						
11	2	114299-92720	WRENCH	1	1						
12	2	114299-92730	DRIVER	1	1						
13	2	114299-92740	DIPSTICK	1	1						
14	1	114220-92600	GASKET SET	1	1						1
15	2	114395-01330	GASKET, HEAD	1	1						
21	2	114399-01380	O-RING	1	1						
22	2	114399-01410	GASKET, CRANK CASE	1	1						
23	2	114299-01950	O-RING, 18	2	2						
24	2	114250-01841	GASKET	1	1						
25	2	22190-160002	WASHER, SEAL 16	2	2						
26	2	114350-11340	SEAL, VALVE STEM	2	2						
27	2	114771-11461	GASKET, NOZZLE	1	1						
28	2	114210-11310	GASKET, BONNET	1	1						
29	2	114210-12210	GASKET, AIR CLEANER	1	1						
30	2	114299-13200	GASKET, MUFFLER	1	1						
31	2	114299-32570	O-RING	1	1						
32	2	23414-080000	GASKET, 8X1.0	1	1						
33	2	24341-000224	O-RING, 1AS22.4	1	1						
34	2	24341-000150	O-RING, 1AS15.0	1	1						
35	2	129100-77510	GASKET, AIR HEATER	3	3						
36	2	114299-12210	GASKET, AIR CLEANER	2	2						
37	2	114299-12920	GASKET, AIR CLEANER	1	1						
38	2	114399-21980	GASKET	1	1						

Remarks  
(1)OPTIONAL

## Parts No. Index

Parts No.	Fig. No.	Ref. No.	Parts No.	Fig. No.	Ref. No.	Parts No.	Fig. No.	Ref. No.	Parts No.	Fig. No.	Ref. No.
105010-11490	2	28	114210-53120	7	34	114299-01690	1	34	114299-66440	5	56
105546-51020	10	2	114210-53130	7	35	114299-01800	1	7	114299-66920	5	41
105546-51330	10	15	114210-53140	7	36	114299-01830	1	18	114299-66932	5	42
114210-01020	1	1	114210-53330	7	33	114299-01950	1	37	114299-66940	5	43
114210-01200	2	1	114210-53400	7	37		9	23	114299-67080	5	39
114210-01210	2	2	114210-55210	8	12	114299-02030	1	42			57
114210-01450	1	27	114210-55230	8	13	114299-03640	2	41	114299-92590	9	8
114210-03590	2	38	114210-55810	8	16	114299-07100	9	1	114299-92600	9	9
114210-07120	9	3	114210-59300	8	24	114299-07110	9	2	114299-92710	9	10
114210-07130	9	4	114210-59800	8	29	114299-07160	9	5	114299-92720	9	11
114210-07200	6	2	114210-59850	8	35	114299-11240	2	19	114299-92730	9	12
114210-11100	2	8	114210-61290	5	17		9	23	114299-92740	9	13
114210-11110	2	9	114210-66060	5	51	114299-11600	2	29	114310-66950	5	47
114210-11120	2	10	114210-66100	5	55	114299-12210	9	36	114339-53100	10	24
114210-11180	2	11	114211-61500	5	22	114299-12300	3	15	114350-02100	1	30
114210-11250	2	14	114220-11020	2	3	114299-12920	9	37	114350-02113	1	43
114210-11260	2	15	114220-51200	7	6	114299-13200	3	19	114350-02200	1	48
114210-11280	2	16	114220-53000	7	29		9	30	114350-02210	1	49
114210-11310	2	35	114220-66010	5	64	114299-13800	3	29	114350-11340	2	25
	9	28	114220-66600	5	66	114299-21220	4	21		9	26
114210-11650	2	17	114220-92600	9	14	114299-21550	4	22	114380-23100	4	44
114210-11660	2	21	114239-51100	10	5	114299-32070	5	7	114395-01330	9	15
114210-11901	2	30	114239-53200	10	32	114299-32570	5	8	114395-01340	1	5
114210-11930	2	12	114239-59300	8	24 -1		9	31	114399-01380	1	6
114210-11950	2	36	114239-59301	8	24 -2	114299-35110	5	11		9	21
114210-12010	3	2	114240-11450	2	26 -1	114299-35150	1	32	114399-01410	1	26
114210-12210	3	16	114240-11550	2	27 -1	114299-45220	6	3		9	22
	9	29	114250-01841	1	19		7		114399-01700	1	40
114210-12500	3	6		9	24	114299-45301	6	18	114399-13520	3	20
114210-12511	3	1	114250-32010	5	1	114299-45310	6	19	114399-21590	4	23
114210-12560	3	10	114250-51080	10	3	114299-45330	6	20	114399-21600	4	26
114210-12590	3	11	114250-51160	10	4	114299-45350	6	21	114399-21960	1	51
114210-12600	3	14	114250-51340	10	16	114299-51020	7	2	114399-21980	1	52
114210-12610	3	9	114250-51600	10	18	114299-51080	7	3		9	38
114210-14200	4	6	114250-51640	10	19	114299-51090	7	4	114399-22300	4	36
114210-14300	4	7	114250-51650	10	20	114299-51160	7	5	114399-45320	6	10
114210-14400	4	12	114250-53080	10	23	114299-51330	7	14	114399-45340	6	6
114210-23600	4	42	114250-53120	10	29	114299-51340	7	15			11
114210-23610	4	63	114250-53130	10	30	114299-51350	7	16	114399-76251	6	23
114210-23620	4	65	114250-53140	10	31	114299-51600	7	17	114399-76510	6	24
114210-45100	6	17	114250-53210	10	35	114299-51620	7	18	114399-76521	6	25
114210-45150	6	17 -1	114250-53400	10	36	114299-51630	7	26	114399-76531	6	27
114210-45260	6	8	114250-55121	8	10	114299-51640	7	27	114399-76540	6	28
114210-45270	6	9	114250-55130	8	11	114299-55080	8	3	114399-76550	6	29
114210-45300	6	4	114250-55201	8	9	114299-55100	8	8	114399-76560	6	30
114210-45310	6	5	114250-55301	8	14	114299-61190	5	15	114399-76570	6	31
114210-45350	6	12	114288-55041	8	5	114299-61600	5	34	114399-76580	6	32
114210-45360	6	13	114288-55081	8	7	114299-66200	5	65	114399-76590	6	35
114210-53080	7	31	114295-11470	2	27	114299-66250	5	62	114399-76620	6	33
114210-53100	7	30	114299-01600	1	22	114299-66440	5	37	114399-76630	6	34

## Parts No. Index

Parts No.	Fig. No.	Ref. No.
114650-51300	10	12
114650-59060	8	26
114650-59061	8	26 -1
114652-59310	8	27
114699-01760	1	35
114699-51300	7	11
114770-61520	5	33
114770-61610	5	35
114771-11461	2	26
	9	27
114780-59010	8	21
114780-59060	8	22
114780-61090	5	72
114940-01870	1	39 -1
118200-23200	4	41
121750-59890	8	28
124066-59100	8	25 A
124550-51350	10	17
124722-59050	8	25
		25 -1
129100-77510	9	35
160110-01870	1	39
160110-02220	1	44
		45
160725-78350	5	58
22117-080000	8	17
22190-160002	1	38
	9	25
22252-000210	4	37
22312-030160	2	43
	5	9
22312-040080	1	20
22322-030200	5	31
22351-020006	10	11
22351-025005	10	28
22351-030008	10	21
22351-040008	2	31
22451-060000	5	73
22512-040120	4	27
23080-014000	8	23
23414-080000	8	4
	9	32
23875-020000	1	21
23876-010000	1	50
24101-062030	4	62
24162-152116	1	46
24341-000150	8	15
	9	34
24341-000224	5	13
	9	33

Parts No.	Fig. No.	Ref. No.
26106-060082	6	14
		36
26106-060122	5	10
	6	37
26106-060142	3	26
	5	63
26106-060162	5	14
	8	18
26106-060202	3	17
	5	61
	6	15
26106-060302	5	48
26106-060402	2	32
26106-060552	2	46
26106-080122	1	47
26106-080352	1	33
26106-080452	8	19
26106-100122	1	41
26117-050089	5	46
		54
26216-080182	3	27
26226-060182	1	23
26226-060222	1	24
26226-060302	3	18
26226-060552	2	33
26347-060002	5	59
26366-060002	1	25
	2	34
	6	16
	8	20
26366-080002	3	28
26453-080252	1	53
26757-060002	5	40
		60
26757-080002	5	49
26776-100002	5	71
26856-060002	2	20
		24
714210-21760	4	13
714210-23701	4	38
714210-28510	4	45
714210-45100	6	1
714210-55700	8	1
714210-61701	5	16
714210-66100	5	50
714220-14580	4	1
714220-22580	4	56
714220-22620	4	50
714220-22720	4	28
714220-51100	7	1

Parts No.	Fig. No.	Ref. No.
714220-53100	7	28
714239-51200	10	1
714239-53200	10	22
714299-66901	5	36
714870-22502	4	30
714870-22542	4	52
714870-22552	4	58

Parts No.	Fig. No.	Ref. No.
-----------	----------	----------