

0CW10-M72200EN

# P R E F A C E

1. This parts catalog is the 1st edition of L70N6CA1T1AAS1 for MESSERSI'.

Pub.No. : 0CW10-G72200

Published : July, 2011

2. Model name

Engine model	Vehicle	Vehicle made by
L70N6CA1T1AAS1	MINI DUMPER, STARTING MOTOR	MESSERSI'

## Directions for the Parts Catalog.

1. This Parts Catalog shows both standard and optional parts.
2. Parts may change without prior notice.
3. The following is an example of the Parts Catalog format.

REF.	LEV.	PARTS NO.	DESCRIPTION	Q'TY						I	R
				(A)	(B)	(C)	(D)	(E)	(F)		
1	1	729595-51390	FUEL INJECTION PUMP	1	1	1	1	1			1
1-1	1	729595-51391	FUEL INJECTION PUMP	1	1	1	1	1		N	1
		(A=E00185) (B=E00200)									
3	2	26022-060162	SCREW M 6X 16	9	9	9	9	9			
3-1	2	26022-060162	SCREW M 6X 16	4	4	4	4	4		K	
		(A=E00156) (B=E00156) (C=E00156) (D=E00156) (E=E00156)									
4	2	129470-51040	CAMSHAFT	1	1	1	1	1			
5	2	122710-51050	BEARING, ROLLER	2	2	2	2	2			
6	2	129470-51060	RETAINER	1	1	1	1	1			

Remarks
(1) BOOST COMPEMSATOR TYPE. OPTIONAL PART, TO E00155,(4JH-DT, 4JH-DTZ

### ① Ref. No.

The Ref. No. listed may not be in accordance with the illustration Ref. No.

(Ex.) Illustration No.

List Ref No.

1 1 (Before change) → 1-1 (After change)

For interchangeable symbols N, R and K, illustrations for new parts may be abbreviated.

### ② Lev. (Level)

Level indication

The numbers below indicate the level of relativity towards the main part.

1 ---- Main parts (Assembly parts)

2 ---- Sub component included in " 1 ".

3 ---- Sub component included in " 2 ".

Note) Parts that are not for sale are partially illustrated but not listed.

### ③ Interchangeability Symbol

When a part change takes place, one of the following interchangeability symbols is indicated beside the part.

Symbol	Interchangeability	Contents note
N	Old $\begin{matrix} \leftarrow \text{Yes} \\ \text{No} \rightarrow \end{matrix}$ New	New Part is interchangeable for Old Part but Old Part is not interchangeable for New Part.
Q	Old $\begin{matrix} \leftarrow \text{No} \\ \text{Yes} \rightarrow \end{matrix}$ New	New Part is not interchangeable for Old Part but Old Part is interchangeable for New Part.
R	Old $\begin{matrix} \leftarrow \text{Yes} \\ \text{Yes} \rightarrow \end{matrix}$ New	New/ Old Parts are both interchangeable.
S	Old $\begin{matrix} \leftarrow \text{No} \\ \text{No} \rightarrow \end{matrix}$ New	New/ Old Parts are both not interchangeable.
W		Part newly added.
Z		Part discontinued.
F		Not interchangeable by a single part but interchangeable together with related parts.
K		Changes only for used parts quantities.

### ④ Effective Machine No.

When a part changes, the effective Machine No. will be indicated in the (A)-(F) column.

Product Symbol	Product No.	Product Symbol	Product No.
C	Clutch No. Compressor No.	F	Machine No. (Agricultural Equip.)
D	Drive No.	M	Machine No.
E	Engine No.		

Note 1) A date may follow the symbol. (Ex.) 1996.01

Note 2) "XXXXX" and "ZZZZZ" are for parts that could not be predicted or for engine models that could not be identified.

Note 3) (A=E00185) is the E (Engine Serial Number) for the column (A) model (in this case 4JH-DT) after the parts design change.

### ⑤ Remarks

Figures or alphabets (symbols) are entered in the remarks column.

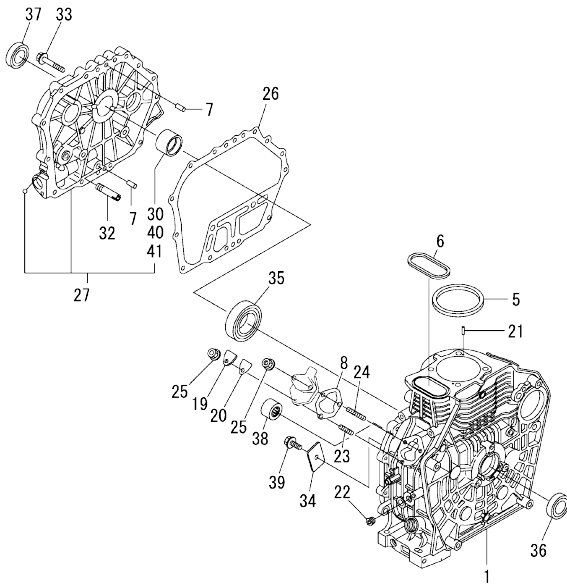
The comments (remarks) on parts that are indicated at the bottom of the illustration are the same symbols as those stated above.

## Contents

0CW10-M72200

Fig. No.	Fig. Name	Fig. No.	Fig. Name
L70N6CA1T1AAS1		25.	TOOL & GASKET SET
	1. CYLINDER BLOCK		
	2. DRAIN PLUG		
	3. LABEL		
	4. CYLINDER HEAD & BONNET		
	5. AIR CLEANER		
	6. EXHAUST MUFFLER		
	7. CAMSHAFT		
	8. CRANKSHAFT		
	9. FLYWHEEL		
	10. PISTON & CONNECTING ROD		
	11. BALANCER SHAFT		
	12. LUB.OIL PUMP & GOVERNOR		
	13. OIL PRESSURE SWITCH		
	14. COVER		
	15. COOLING FAN CASE		
	16. F.I.PUMP & F.I.VALVE		
	17. FUEL TANK & FUEL PIPE		
	18. SPEED CONTROL DEVICE		
	19. RECOIL STARTER		
	20. STARTING MOTOR		
	21. ELECTRICAL EQUIPMENT		
	22. KEY SWITCH		
	23. DYNAMO		
	24. ACCESSORIES		

Fig.1. CYLINDER BLOCK



(A)=L70N6CA1T1AAS1  
(B)=  
(C)=

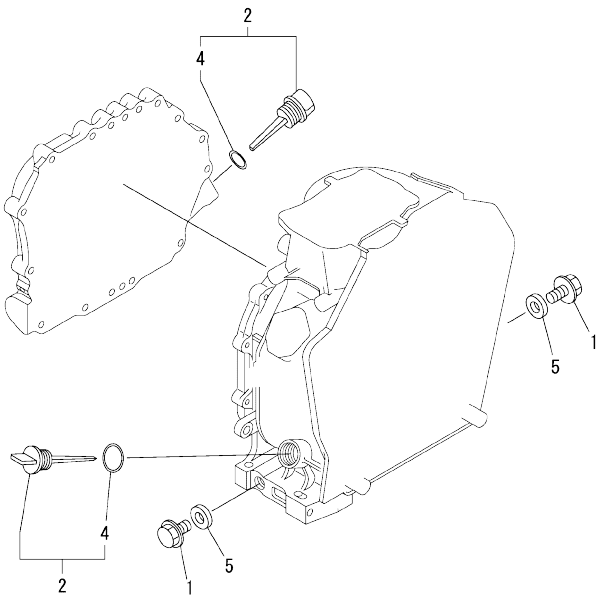
(D)=  
(E)=  
(F)=

No.	Lev.	Parts No.	Description	Q'ty						I	R
				(A)	(B)	(C)	(D)	(E)	(F)		
1	1	114210-01020	BLOCK ASSY, CYLINDER	1							
5	1	114395-01341	GASKET, HEAD 0.5	1							
6	1	114399-01380	O-RING	1							
7	1	114299-01600	PIN, 8X12	2							
8	1	114299-01800	SHIM SET	1							
19	1	114299-01830	COVER	1							
20	1	114250-01841	GASKET	1							
21	1	22312-040080	PIN, PARALLEL M4X 8	2							
22	1	23875-020000	PLUG, R02	1							
23	1	26226-060182	STUD, M6X 18	1							
24	1	26226-060222	STUD, M6X 22	2							
25	1	26366-060002	NUT, M6	3							
26	1	114399-01410	GASKET, CRANK CASE	1							
27	1	114210-01450	COVER(E-D),CRANK CASE	1							
30	2	114350-02100	BEARING, MAIN	1							1
32	1	114299-35150	PIPE, OIL INLET	1							
33	1	26106-080352	BOLT, M8X 35 PLATED	15							
34	1	114299-02030	RETAINER, BEARING	1							
35	1	114350-02113	BEARING, B35-135G3C3	1							
36	1	160110-02220	SEAL, OIL	1							
37	1	160110-02220	SEAL, OIL	1							
38	1	24162-152116	BEARING, 152116	1							
39	1	26106-080122	BOLT, M8X 12 PLATED	1							
40	1	114350-02200	BEARING, 0.25 US	1							2
41	1	114350-02210	BEARING, 0.50 US	1							3

Remarks

- (1)Spare parts.
- (2)Under sized(U.S.=0.25)parts.
- (3)Under sized(U.S.=0.50)parts.

Fig.2. DRAIN PLUG

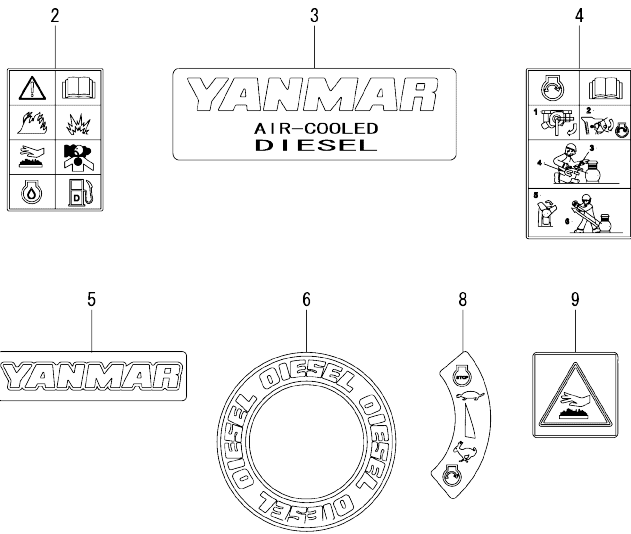


(A)=L70N6CA1T1AAS1  
(B)=  
(C)=

(D)=  
(E)=  
(F)=

No.	Lev.	Parts No.	Description	Q'ty						I	R
				(A)	(B)	(C)	(D)	(E)	(F)		
1	1	114299-01690	PLUG M16	2							
2	1	114699-01760	CAP ASSY	2							
4	2	114299-01950	O-RING, 18	2							
5	1	22190-160002	WASHER, SEAL 16	2							

Fig.3. LABEL

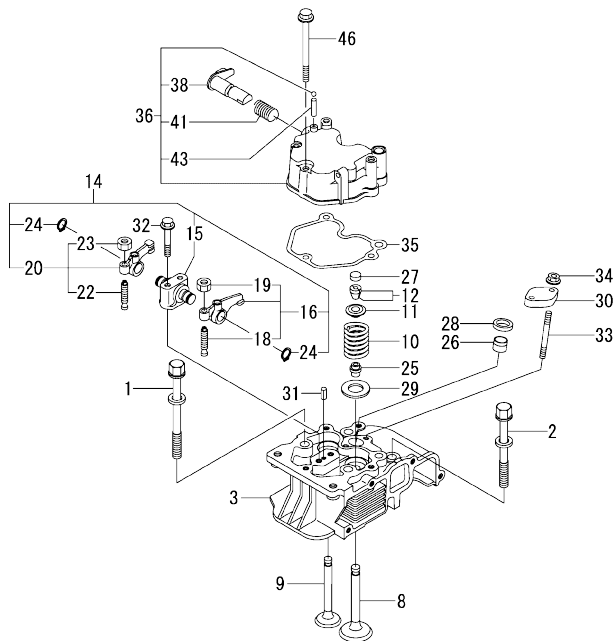


No.	Lev.	Parts No.	Description	Q'ty					
				(A)	(B)	(C)	(D)	(E)	(F)
2	1	114220-07100	LABEL, CAUTION	1					
3	1	114299-07100	LABEL, AIR COOLED	1					
4	1	114220-07110	LABEL HOW TO START-E	1					
5	1	114299-07110	LABEL, YANMAR	1					
6	1	114299-07160	LABEL, DIESEL	1					
8	1	114220-07160	LABEL, THAI	1					
9	1	114220-07130	LABEL, HOT SURFACE	1					

(A)=L70N6CA1T1AAS1  
(B)=  
(C)=

(D)=  
(E)=  
(F)=

Fig.4. CYLINDER HEAD & BONNET



(A)=L70N6CA1T1AAS1  
(B)=  
(C)=

(D)=  
(E)=  
(F)=

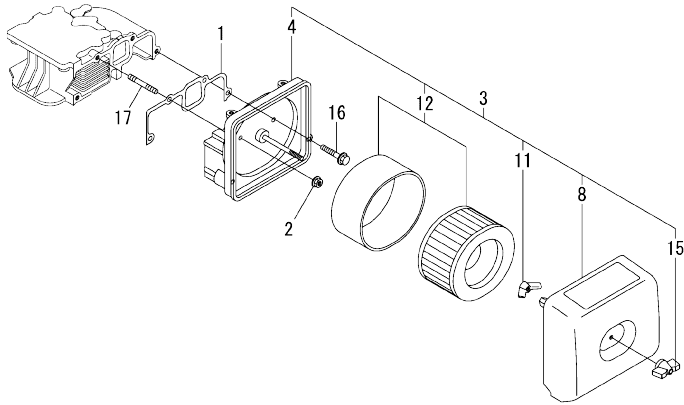
No.	Lev.	Parts No.	Description	Qty						I	R
				(A)	(B)	(C)	(D)	(E)	(F)		
1	1	114210-01200	BOLT, CYL HEAD A	2							
2	1	114210-01210	BOLT, CYL HEAD B	2							
3	1	11422C-11020	HEAD ASSY, CYLINDER	1							
8	1	11421C-11100	VALVE, INTAKE	1							
9	1	11421C-11110	VALVE, EXHAUST	1							
10	1	114210-11120	SPRING, VALVE	2							
11	1	114210-11180	RETAINER, SPRING	2							
12	1	114210-11930	COTTER ASSY	2							
14	1	11421C-11250	SUPPORT ASSY, ARM	1							
15	2	11421C-11260	SUPPORT, ROCKER ARM	1							
16	2	11421C-11650	ARM ASSY, ROCKER	1							
18	3	114250-11240	SCREW, VALVE ADJUST	1							
19	3	26856-060002	NUT, M6	1							
20	2	11421C-11660	ARM ASSY, ROCKER	1							
22	3	114250-11240	SCREW, VALVE ADJUST	1							
23	3	26856-060002	NUT, M6	1							
24	2	22242-000120	RING, 12	2							
25	1	114350-11341	SEAL, VALVE STEM	2							
26	1	114240-11450	PROTECTOR, NOZZLE	1							
27	1	105010-11490	CAP, VALVE	2							
28	1	114240-11550	SEAT, NOZZLE	1							
29	1	114299-11600	WASHER, VALVE SPRING	2							
30	1	114210-11901	RETAINER, NOZZLE	1							
31	1	22351-040008	PIN, SPRING 4.0X 8	1							
32	1	26106-060402	BOLT, M6X 40 PLATED	2							
33	1	26226-060552	STUD, M6X 55	2							
34	1	26366-060002	NUT, M6	2							
35	1	114210-11310	GASKET, BONNET	1							
36	1	114210-11950	BONNET ASSY, HEAD	1							
38	2	114210-03590	DECOMPRESSION ASSY	1							
41	2	114299-03640	SPRING, DECOMPRESSION	1							
43	2	22312-030160	PIN, PARALLEL M3X16	1							
46	1	26106-060552	BOLT, M6X 55 PLATED	3							



Fig.5. AIR CLEANER

(A)=L70N6CA1T1AAS1  
(B)=  
(C)=

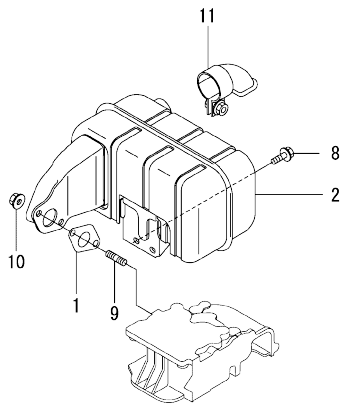
(D)=  
(E)=  
(F)=



No.	Lev.	Parts No.	Description	Q'ty					
				(A)	(B)	(C)	(D)	(E)	(F)
1	1	114210-12210	GASKET, AIR CLEANER	1					
2	1	114299-12300	NUT	3					
3	1	114220-12550	CLEANER ASSY, AIR	1					
4	2	114210-12010	BODY ASSY, AIR CLNR	1					
8	2	114220-12500	COVER ASSY, AIR CLNR	1					
11	2	114210-12560	NUT, WING	1					
12	2	114210-12590	ELEMENT ASSY	1					
15	2	114210-12600	LOCKING KNOB	1					
16	1	26106-060202	BOLT, M6X 20 PLATED	1					
17	1	26226-060302	STUD, M6X 30	3					

0CW10-M72200 L70N6CA1T1AAS1

Fig.6. EXHAUST MUFFLER



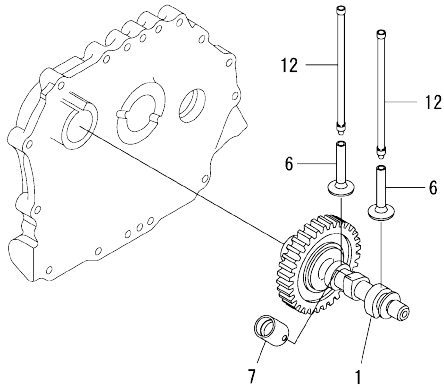
0CW10-M72200 Fig.6

(A)=L70N6CA1T1AAS1  
(B)=  
(C)=

(D)=  
(E)=  
(F)=

No.	Lev.	Parts No.	Description	Q'ty						I	R
				(A)	(B)	(C)	(D)	(E)	(F)		
1	1	114299-13200	GASKET, MUFFLER	1							
2	1	11421C-13500	MUFFLER ASSY	1							
8	1	26106-060142	BOLT, M6X 14 PLATED	2							
9	1	26216-080182	STUD, M8X 18	2							
10	1	26366-080002	NUT, M8	2							
11	1	114299-13800	EXTENSION ASSY	1							

Fig.7. CAMSHAFT

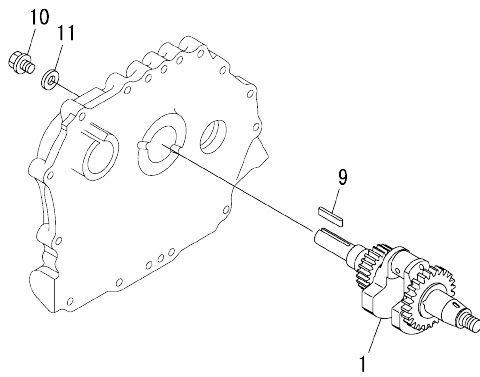


(A)=L70N6CA1T1AAS1  
(B)=  
(C)=

(D)=  
(E)=  
(F)=

No.	Lev.	Parts No.	Description	Q'ty					
				(A)	(B)	(C)	(D)	(E)	(F)
1	1	71422C-14580	CAMSHAFT ASSY	1					
6	1	114210-14200	TAPPET	2					
7	1	114210-14300	TAPPET ASSY, ROLLER	1					
12	1	114210-14400	ROD ASSY, PUSH	2					

Fig.8. CRANKSHAFT



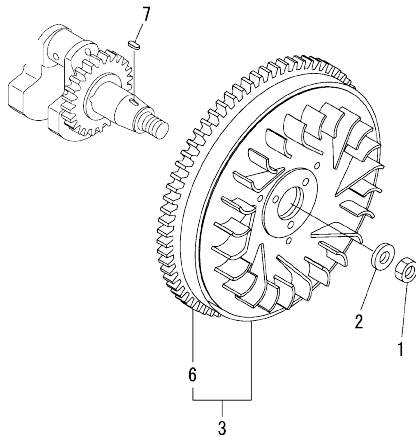
(A)=L70N6CA1T1AAS1  
(B)=  
(C)=

(D)=  
(E)=  
(F)=

No.	Lev.	Parts No.	Description	Q'ty					
				(A)	(B)	(C)	(D)	(E)	(F)
1	1	71421C-21030	CRANKSHAFT ASSY	1					
9	1	160842-21150	KEY, 6.3X50	1					
10	1	160842-21250	BOLT, 7/16-20UNF	1					
11	1	160842-21260	WASHER	1					

0CW10-M72200 L70N6CA1T1AAS1

Fig.9. FLYWHEEL



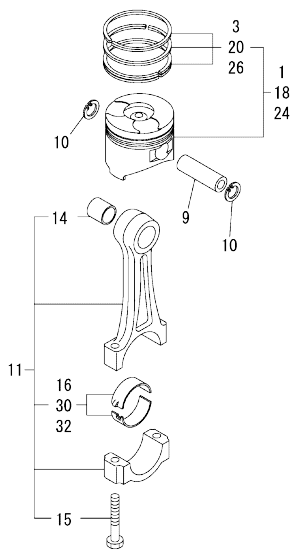
0CW10-M72200 Fig.9

(A)=L70N6CA1T1AAS1  
(B)=  
(C)=

(D)=  
(E)=  
(F)=

No.	Lev.	Parts No.	Description	Q'ty					
				(A)	(B)	(C)	(D)	(E)	(F)
1	1	114299-21220	NUT	1					
2	1	114299-21550	WASHER	1					
3	1	114399-21590	FLYWHEEL ASSY	1					
6	2	114399-21600	GEAR, RING	1					
7	1	22512-040120	KEY, 4X 12	1					

Fig.10. PISTON & CONNECTING ROD



(A)=L70N6CA1T1AAS1  
(B)=  
(C)=

(D)=  
(E)=  
(F)=

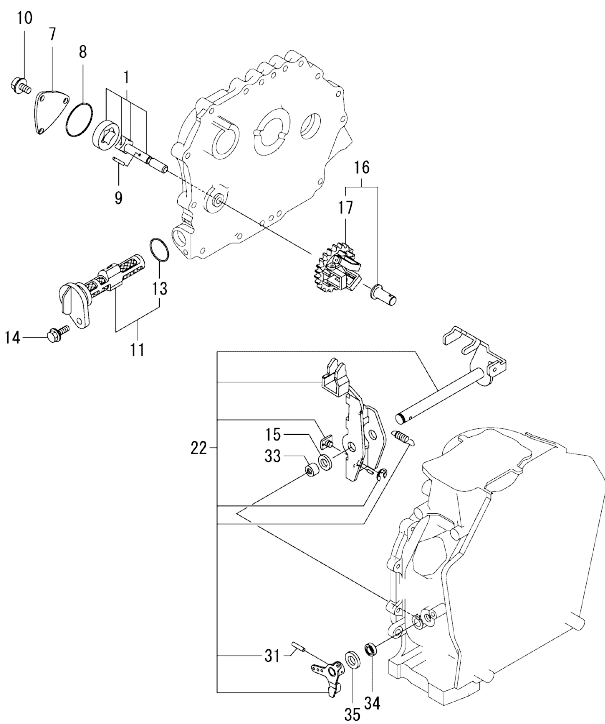
No.	Lev.	Parts No.	Description	Q'ty						I	R
				(A)	(B)	(C)	(D)	(E)	(F)		
1	1	714220-22720	PISTON W/RINGS (D)	1							
3	2	714870-22502	RING SET, PISTON	1							
9	1	114399-22300	PIN, PISTON D=21	1							
10	1	22252-000210	RING, 21	2							
11	1	71421C-23010	ROD ASSY, CONNECTING	1							
14	3	114380-23100	BEARING, PISTON PIN	1							
15	3	118200-23200	BOLT, CONNECTING ROD	2							
16	2	114210-23600	BEARING, CRANK PIN	1							
18	1	714220-22620	PISTON W/RING 25OS	1							1
20	2	714870-22542	RING SET, 0.25 OS	1							1
24	1	714220-22580	PISTON W/RING .50OS	1							2
26	2	714870-22552	RING SET, 0.50 OS	1							2
30	1	114210-23610	BEARING,PIN(U.S.=0.25	1							3
32	1	114210-23620	BEARING,PIN(U.S.=0.50	1							4

Remarks

- (1)Over sized(U.S.=0.25)parts.
- (2)Over sized(U.S.=0.50)parts.
- (3)Under sized(U.S.=0.25)parts.
- (4)Under sized(U.S.=0.50)parts.



Fig.12. LUB.OIL PUMP & GOVERNOR



(A)=L70N6CA1T1AAS1  
(B)=  
(C)=

(D)=  
(E)=  
(F)=

No.	Lev.	Parts No.	Description	Q'ty						I	R
				(A)	(B)	(C)	(D)	(E)	(F)		
1	1	114250-32010	PUMP ASSY, OIL	1							
7	1	114299-32070	COVER	1							
8	1	114299-32570	O-RING	1							
9	1	22312-030160	PIN, PARALLEL M3X16	1							
10	1	26106-060122	BOLT, M6X 12 PLATED	3							
11	1	114299-35110	FILTER ASSY, OIL	1							
13	2	24341-000224	O-RING, 1AS22.4	1							
14	1	26106-060162	BOLT, M6X 16 PLATED	1							
15	1	114299-61190	WASHER	1							
16	1	714210-61701	GOVERNOR ASSY	1							
17	2	114210-61290	WEIGHT ASSY, GOVERNOR	1							
22	1	114211-61500	LEVER ASSY, GOVERNOR	1							1
31	2	22322-030200	PIN, TAPER 3X20	1							
33	1	114770-61520	BEARING, NEEDLE	2							
34	1	114299-61600	SEAL, OIL	1							
35	1	114770-61610	WASHER, THRUST	1							

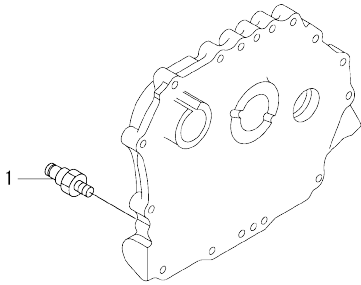
Remarks  
(1)On a guarantee of quality component parts shall not be sold.

N:Old  $\frac{100}{100}$  New, Q:Old  $\frac{100}{100}$  New, R:Old  $\frac{100}{100}$  New, S:Old  $\frac{100}{100}$  New, W:Add, Z:Discontinued, F:Interchangeable by set, K:Q'ty Change  
Copyright (C) YANMAR CO., LTD. All Rights Reserved.



0CW10-M72200 L70N6CA1T1AAS1

Fig.13. OIL PRESSURE SWITCH



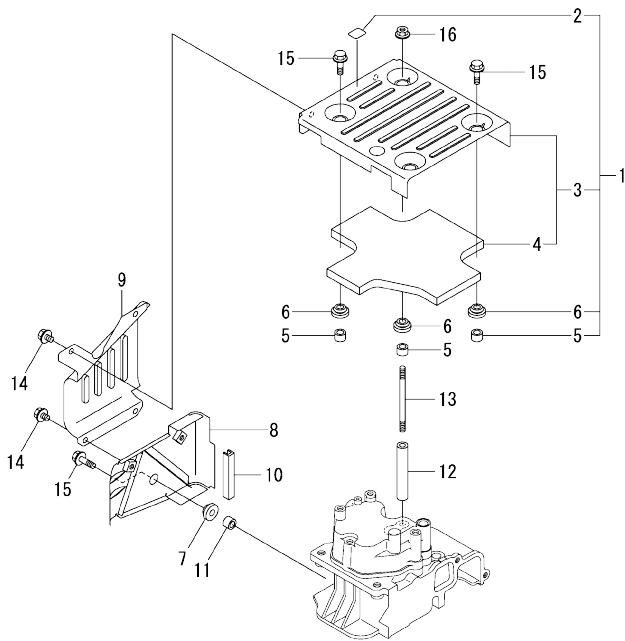
0CW10-M72200 Fig.13

(A)=L70N6CA1T1AAS1  
(B)=  
(C)=

(D)=  
(E)=  
(F)=

No.	Lev.	Parts No.	Description	Q'ty						I	R
				(A)	(B)	(C)	(D)	(E)	(F)		
1	1	183250-39450	SWITCH, 1.0KG	1							

Fig.14. COVER

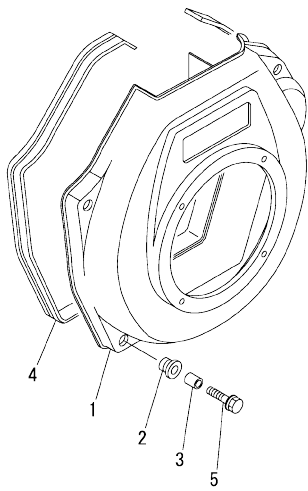


(A)=L70N6CA1T1AAS1  
(B)=  
(C)=

(D)=  
(E)=  
(F)=

No.	Lev.	Parts No.	Description	Q'ty					
				(A)	(B)	(C)	(D)	(E)	(F)
1	1	11422C-45200	TOP COVER ASSY	1					
2	2	114220-07120	LABEL, DECOMPRESSION	1					
3	2	11421C-45300	COVER	1					
4	3	11421C-45310	INSULATOR, NOISE	1					
5	2	114350-45340	COLLAR	4					
6	2	183720-55210	GROMMET	4					
7	1	114299-45220	GROMMET	1					
8	1	11421C-45260	COVER	1					
9	1	11421C-45270	COVER	1					
10	1	114399-45320	RUBBER, SEAL	1					
11	1	114399-45340	COLLAR	1					
12	1	114210-45350	SPACER, TOP COVER	1					
13	1	114210-45360	STUD BOLT, TOP COVER	1					
14	1	26106-060082	BOLT, M6X 8 PLATED	4					
15	1	26106-060202	BOLT, M6X 20 PLATED	4					
16	1	26366-060002	NUT, M6	1					

Fig.15. COOLING FAN CASE

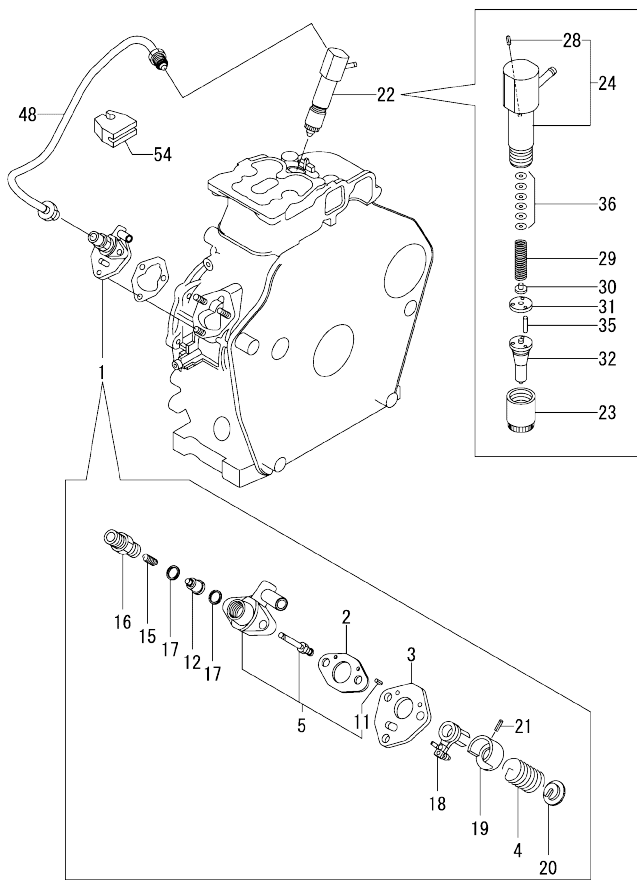


(A)=L70N6CA1T1AAS1  
(B)=  
(C)=

(D)=  
(E)=  
(F)=

No.	Lev.	Parts No.	Description	Q'ty						I	R
				(A)	(B)	(C)	(D)	(E)	(F)		
1	1	11421C-45100	CASE, COOLING FAN	1							
2	1	114299-45301	RUBBER, CUSHION	4							
3	1	114299-45310	COLLAR	4							
4	1	114299-45331	SEAL, FAN CASE	1							
5	1	114299-45350	BOLT, FAN CASE	4							

Fig.16. F.I.PUMP & F.I.VALVE



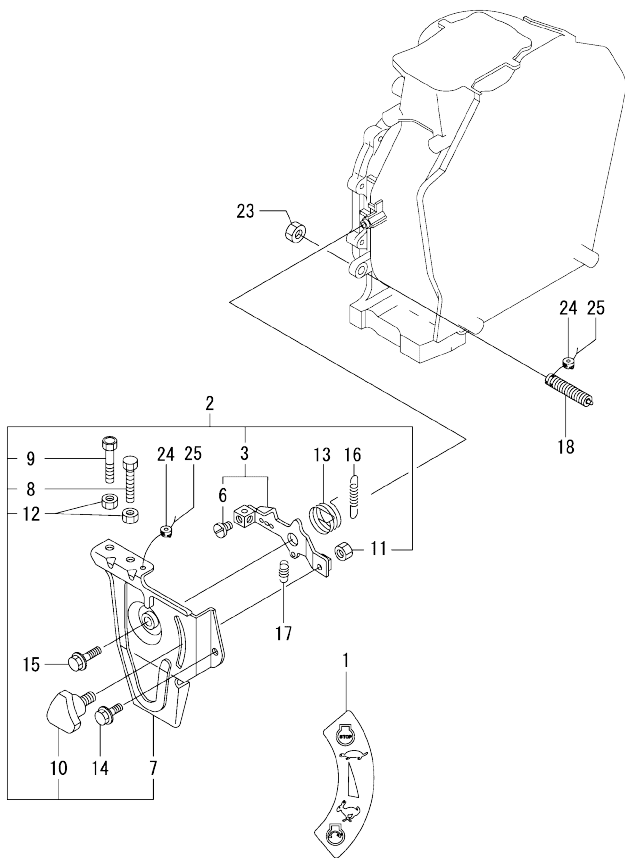
(A)=L70N6CA1T1AAS1  
(B)=  
(C)=

(D)=  
(E)=  
(F)=

No.	Lev.	Parts No.	Description	Q'ty						I	R
				(A)	(B)	(C)	(D)	(E)	(F)		
1	1	714239-51200	F.I.PUMP ASSY	1							
2	2	105546-51020	GASKET	1							
3	2	114250-51080	PLATE	1							
4	2	114250-51160	SPRING, PLUNGER	1							
5	2	114239-51100	BODY ASSY, PUMP	1							
11	4	22351-020006	PIN, SPRING 2.0X 6	2							
12	2	114650-51300	VALVE ASSY, DELIVERY	1							
15	2	105546-51330	SPRING, DELIVERY	1							
16	2	114250-51340	HOLDER, DELIVERY	1							
17	2	124550-51350	GASKET, DELIVERY	2							
18	2	114250-51600	LEVER ASSY, CONTROL	1							
19	2	114250-51640	SEAT, SPRING A	1							
20	2	114250-51650	SEAT, SPRING B	1							
21	2	22351-030008	PIN, SPRING 3.0X 8	1							
22	1	714239-53200	VALVE ASSY, INJECTION	1							
23	2	114250-53080	NUT, NOZZLE D16.95	1							
24	2	114339-53100	HOLDER ASSY, NOZZLE	1							
28	3	22351-025005	PIN, SPRING 2.5X 6	1							
29	2	114250-53120	SPRING, NOZZLE	1							
30	2	114250-53130	SEAT, SPRING	1							
31	2	114250-53140	PLATE	1							
32	2	114239-53200	NOZZLE ASSY	1							
35	2	114250-53210	PIN	2							
36	2	114250-53400	SHIM SET	1							
48	1	114210-59800	PIPE ASSY, INJECTION	1							
54	1	114210-59850	SUPPORT, INJ. PIPE	1							



Fig.18. SPEED CONTROL DEVICE

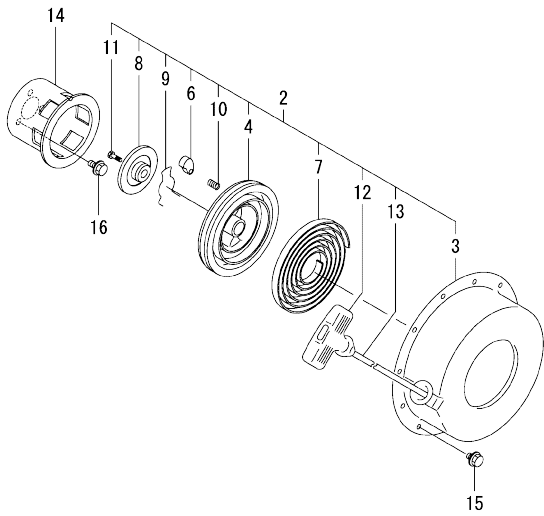


(A)=L70N6CA1T1AAS1  
(B)=  
(C)=

(D)=  
(E)=  
(F)=

No.	Lev.	Parts No.	Description	Q'ty						I	R
				(A)	(B)	(C)	(D)	(E)	(F)		
1	1	114220-07160	LABEL, THAI	1							
2	1	714210-66100	SPEED CTRL, THAI	1							
3	2	114210-66060	HANDLE ASY,REGULATOR	1							
6	3	26117-050089	BOLT, M5X 8 PLATED	1							
7	2	114210-66100	BRACKET, REGULATOR	1							
8	2	114299-66440	BOLT, ADJUSTING	1							
9	2	114299-67080	BOLT, ADJUSTING	1							
10	2	160725-78350	KNOB	1							
11	2	26347-060002	NUT, M6	1							
12	2	26757-060002	NUT, LOCK M6	2							
13	1	114299-66250	SPRING, RETURN	1							
14	1	26106-060142	BOLT, M6X 14 PLATED	1							
15	1	26106-060202	BOLT, M6X 20 PLATED	1							
16	1	114220-66010	SPRING, REGULATOR	1							
17	1	114299-66200	SPRING, RETURN	1							
18	1	114220-66600	LIMITER ASSY, FUEL	1							
23	1	26776-100002	NUT, LOCK M10	1							
24	1	114780-61090	TIN	2							
25	1	22451-060000	WIRE, 0.6	2							

Fig.19. RECOIL STARTER



(A)=L70N6CA1T1AAS1  
(B)=  
(C)=

(D)=  
(E)=  
(F)=

No.	Lev.	Parts No.	Description	Q'ty					
				(A)	(B)	(C)	(D)	(E)	(F)
2	1	114399-76251	RECOIL STARTER(D)ASY	1					
3	2	114399-76510	CASE, STARTER	1					
4	2	114399-76521	REEL, RECOIL	1					
6	2	114399-76531	RATCHET	1					
7	2	114399-76540	SPRING, SPIRAL	1					
8	2	114399-76550	COVER	1					
9	2	114399-76560	SPRING	1					
10	2	114399-76570	SPRING, RETURN	1					
11	2	114399-76580	SCREW	1					
12	2	114399-76620	KNOB, STARTER	1					
13	2	114399-76630	ROPE, STARTER	1					
14	1	114399-76590	PULLEY, STARTER	1					
15	1	26106-060082	BOLT, M6X 8 PLATED	4					
16	1	26106-060122	BOLT, M6X 12 PLATED	3					

Fig.20. STARTING MOTOR

(A)=L70N6CA1T1AAS1  
(B)=  
(C)=

(D)=  
(E)=  
(F)=

No.	Lev.	Parts No.	Description	Q'ty						I	R
				(A)	(B)	(C)	(D)	(E)	(F)		
1	1	114362-77011	STARTER	1							
2	2	114381-77110	ARMATURE	1							
3	2	X2114811000	WASHER KIT, THRUST	1							
4	2	X2114715500	STOPPER SET, PINION	1							
5	2	114381-77130	COIL ASSY, FIELD	1							
6	2	114381-77140	COVER, REAR	1							
7	2	114371-77160	HOLDER ASSY, BRUSH	1							
8	3	114371-79040	BRUSH (-)	2							
9	3	114371-79050	BRUSH (+)	1							
10	3	114371-79060	SPRING, BRUSH	4							
11	2	X211485016	PINION ASSY	1							
12	2	114381-77151	HOUSING ASSY, GEAR	1							
13	2	114371-77170	COVER KIT, DUST	1							
14	2	114371-77180	LEVER KIT, SHIFT	1							
15	2	124298-77020	SWITCH, MAGNETIC	1							
16	2	124195-77770	THROUGH BOLT	2							
17	2	114371-79070	BOLT M 6X 37	2							
18	2	X2114274200	COVER, TERMINAL	1							
19	1	26106-100302	BOLT, M10X 30 PLATED	2							
20	1	26716-080002	NUT, M8	1							

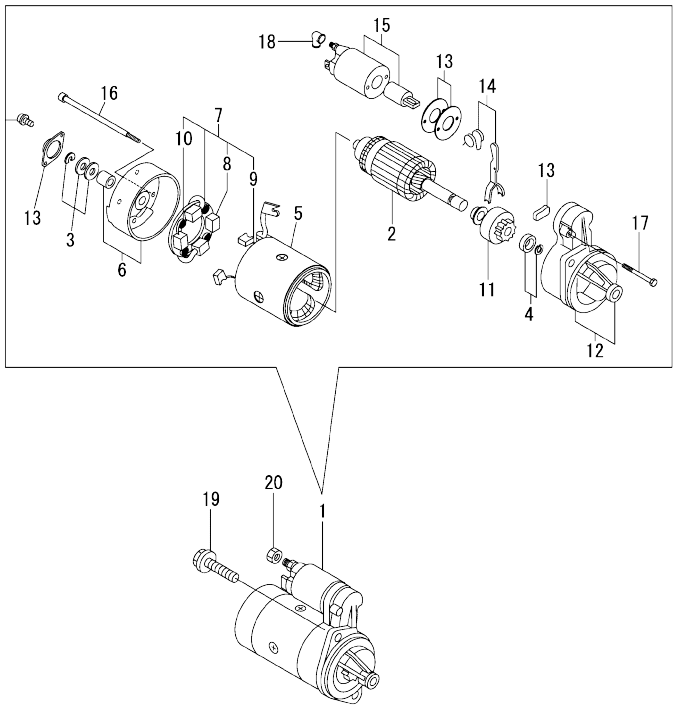
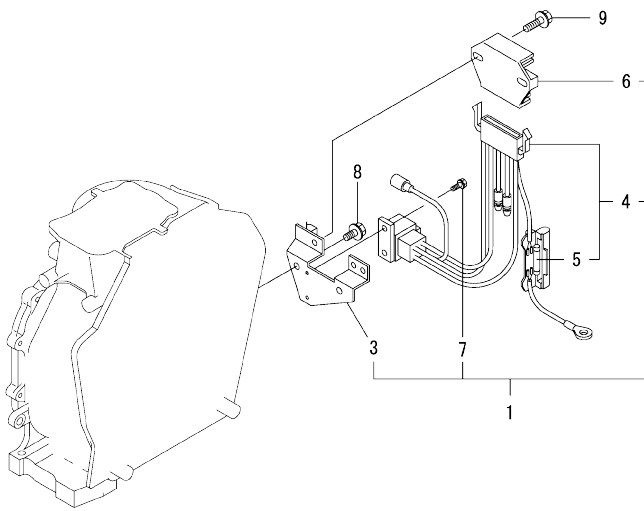




Fig.21. ELECTRICAL EQUIPMENT

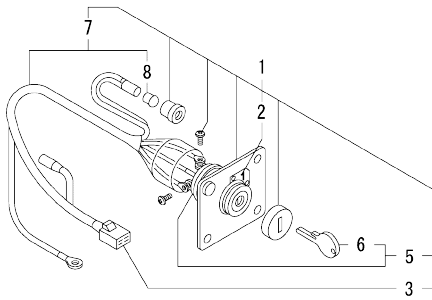


(A)=L70N6CA1T1AAS1  
(B)=  
(C)=

(D)=  
(E)=  
(F)=

No.	Lev.	Parts No.	Description	Q'ty						I	R
				(A)	(B)	(C)	(D)	(E)	(F)		
1	1	114399-77550	REG. & HARNESS ASSY	1							
3	3	114399-77400	BRACKET, HARNESS	1							
4	3	114399-77540	HARNESS, WIRE	1							
5	4	114399-78000	FUSE(20A	1							
6	2	114399-77710	REGULATOR	1							
7	2	26023-040102	SCREW, M4X10	2							
8	1	26106-060122	BOLT, M6X 12 PLATED	2							
9	1	26106-060202	BOLT, M6X 20 PLATED	2							

Fig.22. KEY SWITCH

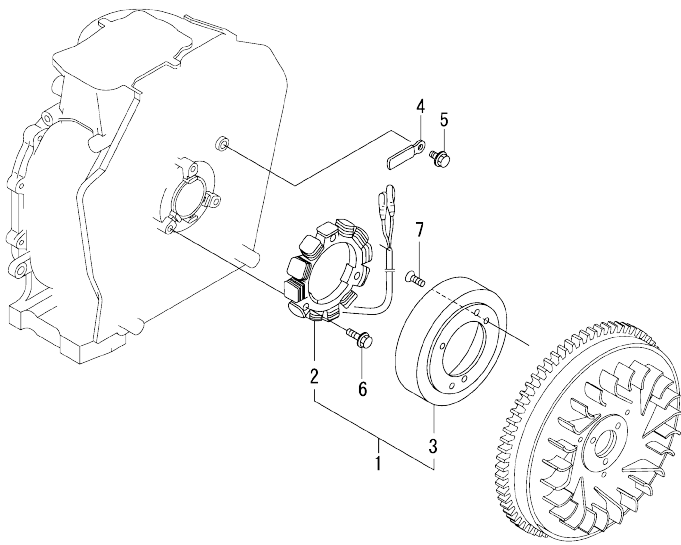


(A)=L70N6CA1T1AAS1  
(B)=  
(C)=

(D)=  
(E)=  
(F)=

No.	Lev.	Parts No.	Description	Q'ty					
				(A)	(B)	(C)	(D)	(E)	(F)
1	1	114220-77500	PANEL ASSY,KEYSWITCH	1					
2	2	114220-07170	LABEL, START SWITCH	1					
3	2	114351-77520	COUPLER	1					
5	2	106100-77620	SWITCH, KEY	1					
6	3	106100-77630	KEY, SWITCH	1					
7	2	114351-77700	HARNES, WIRE	1					
8	3	29220-083200	BULB (12V/3.4W)	1					

Fig.23. DYNAMO



(A)=L70N6CA1T1AAS1  
(B)=  
(C)=

(D)=  
(E)=  
(F)=

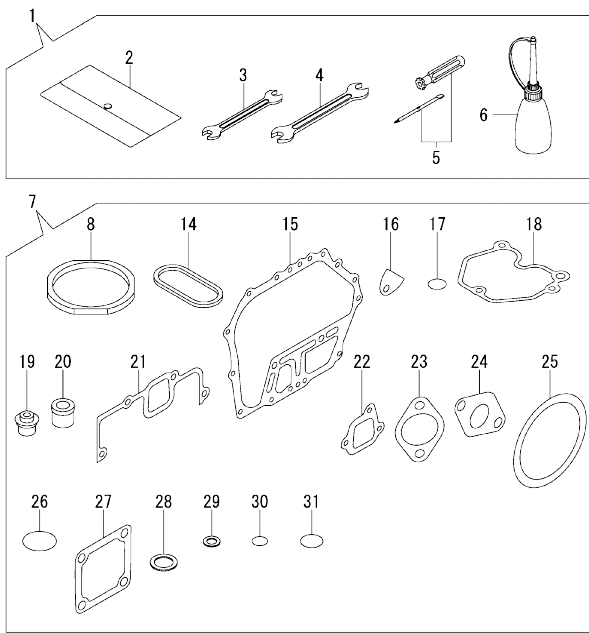
No.	Lev.	Parts No.	Description	Q'ty					
				(A)	(B)	(C)	(D)	(E)	(F)
1	1	114399-78260	DYNAMO ASSY	1					
2	2	114399-78730	STATOR ASSY	1					
3	2	114399-78740	WHEEL, DYNAMO	1					
4	1	160710-78710	CLAMP, CORD	1					
5	1	26106-060122	BOLT, M6X 12 PLATED	1					
6	1	26106-060202	BOLT, M6X 20 PLATED	3					
7	1	26577-060142	SCREW M 6X 14	3					



Fig.25. TOOL & GASKET SET

(A)=L70N6CA1T1AAS1  
(B)=  
(C)=

(D)=  
(E)=  
(F)=



No.	Lev.	Parts No.	Description	Q'ty						I	R
				(A)	(B)	(C)	(D)	(E)	(F)		
1	1	114299-92590	BOX, TOOL	1							
2	2	114299-92600	BAG, TOOL	1							
3	2	114299-92710	WRENCH	1							
4	2	114299-92720	WRENCH	1							
5	2	114299-92730	DRIVER	1							
6	2	114299-92740	DIPSTICK	1							
7	1	114220-92600	GASKET SET	1							1
8	2	114395-01331	GASKET, HEAD	1							
14	2	114399-01380	O-RING	1							
15	2	114399-01410	GASKET, CRANK CASE	1							
16	2	114250-01841	GASKET	1							
17	2	114299-01950	O-RING, 18	2							
18	2	114210-11310	GASKET, BONNET	1							
19	2	114350-11341	SEAL, VALVE STEM	2							
20	2	114771-11461	GASKET, NOZZLE	1							
21	2	114210-12210	GASKET, AIR CLEANER	1							
22	2	114299-12210	GASKET, AIR CLEANER	2							
23	2	114299-12920	GASKET, AIR CLEANER	1							
24	2	114299-13200	GASKET, MUFFLER	1							
25	2	114399-21980	GASKET	1							
26	2	114299-32570	O-RING	1							
27	2	129100-77510	GASKET, AIR HEATER	3							
28	2	22190-160002	WASHER, SEAL 16	2							
29	2	23414-080000	GASKET, 8X1.0	1							
30	2	24341-000150	O-RING, 1AS15.0	1							
31	2	24341-000224	O-RING, 1AS22.4	1							

Remarks

(1)Optional parts.

## Parts No. Index

Parts No.	Fig. No.	Ref. No.
105010-11490	4	27
105546-51020	16	2
105546-51330	16	15
106100-77620	22	5
106100-77630	22	6
114210-01020	1	1
114210-01200	4	1
114210-01210	4	2
114210-01450	1	27
114210-03590	4	38
114210-11120	4	10
114210-11180	4	11
114210-11310	4	35
	25	18
114210-11901	4	30
114210-11930	4	12
114210-11950	4	36
114210-12010	5	4
114210-12210	5	1
	25	21
114210-12560	5	11
114210-12590	5	12
114210-12600	5	15
114210-14200	7	6
114210-14300	7	7
114210-14400	7	12
114210-23600	10	16
114210-23610	10	30
114210-23620	10	32
114210-45350	14	12
114210-45360	14	13
114210-55210	17	3
114210-55230	17	4
114210-55810	17	14
114210-59800	16	48
114210-59850	16	54
114210-61290	12	17
114210-66060	18	3
114210-66100	18	7
114211-61500	12	22
11421C-11100	4	8
11421C-11110	4	9
11421C-11250	4	14
11421C-11260	4	15
11421C-11650	4	16
11421C-11660	4	20
11421C-13500	6	2
11421C-45100	15	1
11421C-45260	14	8
11421C-45270	14	9

Parts No.	Fig. No.	Ref. No.
11421C-45300	14	3
11421C-45310	14	4
11421C-55710	17	7
114220-07100	3	2
114220-07110	3	4
114220-07120	14	2
114220-07130	3	9
114220-07160	3	8
	18	1
114220-07170	22	2
114220-12500	5	8
114220-12550	5	3
114220-66010	18	16
114220-66600	18	18
114220-77500	22	1
114220-92600	25	7
11422C-11020	4	3
11422C-45200	14	1
114239-51100	16	5
114239-53200	16	32
114239-59300	17	22
114239-59301	17	22 -1
114240-11450	4	26
114240-11550	4	28
114250-01841	1	20
	25	16
114250-11240	4	18
	22	22
114250-32010	12	1
114250-51080	16	3
114250-51160	16	4
114250-51340	16	16
114250-51600	16	18
114250-51640	16	19
114250-51650	16	20
114250-53080	16	23
114250-53120	16	29
114250-53130	16	30
114250-53140	16	31
114250-53210	16	35
114250-53400	16	36
114250-55121	17	1
114250-55130	17	2
114250-55201	17	13
114250-55301	17	5
114299-01600	1	7
114299-01690	2	1
114299-01800	1	8
114299-01830	1	19
114299-01950	2	4

Parts No.	Fig. No.	Ref. No.
114299-01950	25	17
114299-02030	1	34
114299-03640	4	41
114299-07100	3	3
114299-07110	3	5
114299-07160	3	6
114299-11600	4	29
114299-12210	25	22
114299-12300	5	2
114299-12920	25	23
114299-13200	6	1
	25	24
114299-13800	6	11
114299-21220	9	1
114299-21550	9	2
114299-32070	12	7
114299-32570	12	8
	25	26
114299-35110	12	11
114299-35150	1	32
114299-45220	14	7
114299-45301	15	2
114299-45310	15	3
114299-45331	15	4
114299-45350	15	5
114299-55040	17	11
114299-55080	17	9
114299-55100	17	12
114299-61190	12	15
114299-61600	12	34
114299-66200	18	17
114299-66250	18	13
114299-66440	18	8
114299-67080	18	9
114299-92590	25	1
114299-92600	25	2
114299-92710	25	3
114299-92720	25	4
114299-92730	25	5
114299-92740	25	6
114339-53100	16	24
114350-02100	1	30
114350-02113	1	35
114350-02200	1	40
114350-02210	1	41
114350-11341	4	25
	25	19
114350-45340	14	5
114351-77520	22	3
	24	1

Parts No.	Fig. No.	Ref. No.
114351-77700	22	7
114362-77011	20	1
114371-77160	20	7
114371-77170	20	13
114371-77180	20	14
114371-79040	20	8
114371-79050	20	9
114371-79060	20	10
114371-79070	20	17
114380-23100	10	14
114381-77110	20	2
114381-77130	20	5
114381-77140	20	6
114381-77151	20	12
114395-01331	25	8
114395-01341	1	5
114399-01380	1	6
	25	14
114399-01410	1	26
	25	15
114399-21590	9	3
114399-21600	9	6
114399-21980	25	25
114399-22300	10	9
114399-45320	14	10
114399-45340	14	11
114399-76251	19	2
114399-76510	19	3
114399-76521	19	4
114399-76531	19	6
114399-76540	19	7
114399-76550	19	8
114399-76560	19	9
114399-76570	19	10
114399-76580	19	11
114399-76590	19	14
114399-76620	19	12
114399-76630	19	13
114399-77400	21	3
114399-77540	21	4
114399-77550	21	1
114399-77710	21	6
114399-78000	21	5
114399-78260	23	1
114399-78730	23	2
114399-78740	23	3
114650-51300	16	12
114650-59060	17	24
114650-59061	17	24 -1
114652-59310	17	26

## Parts No. Index

Parts No.	Fig. No.	Ref. No.
114699-01760	2	2
114770-61520	12	33
114770-61610	12	35
114771-11461	25	20
114780-59010	17	19
114780-59060	17	20
114780-61090	18	24
118200-23200	10	15
121750-59890	17	27
124066-59100	17	25
124195-77770	20	16
124298-77020	20	15
124550-51350	16	17
124722-59050	17	23
129100-77510	25	27
160110-02220	1	36
		37
160710-78710	23	4
160725-78350	18	10
160842-21150	8	9
160842-21250	8	10
160842-21260	8	11
183250-39450	13	1
183720-55210	14	6
22117-080000	17	15
22190-160002	2	5
	25	28
22242-000120	4	24
22252-000210	10	10
22312-030160	4	43
	12	9
22312-040080	1	21
22322-030200	12	31
22351-020006	16	11
22351-025005	16	28
22351-030008	16	21
22351-040008	4	31
22451-060000	18	25
22512-040120	9	7
23080-014000	17	21
23414-080000	17	10
	25	29
23875-020000	1	22
24101-062030	11	7
24162-152116	1	38
24341-000150	17	6
	25	30
24341-000224	12	13
	25	31
26023-040102	21	7

Parts No.	Fig. No.	Ref. No.
26106-060082	14	14
	19	15
26106-060122	12	10
	19	16
	21	8
	23	5
26106-060142	6	8
	18	14
26106-060162	12	14
	17	16
26106-060202	5	16
	14	15
	18	15
	21	9
	23	6
26106-060402	4	32
26106-060552	4	46
26106-080122	1	39
26106-080352	1	33
26106-080452	17	17
26106-100302	20	19
26117-050089	18	6
26216-080182	6	9
26226-060182	1	23
26226-060222	1	24
26226-060302	5	17
26226-060552	4	33
26347-060002	18	11
26366-060002	1	25
	4	34
	14	16
	17	18
26366-080002	6	10
26577-060142	23	7
26716-080002	20	20
26757-060002	18	12
26776-100002	18	23
26856-060002	4	19
		23
29220-083200	22	8
714210-28510	11	1
714210-61701	12	16
714210-66100	18	2
71421C-21030	8	1
71421C-23010	10	11
714220-22580	10	24
714220-22620	10	18
714220-22720	10	1
71422C-14580	7	1
714239-51200	16	1

Parts No.	Fig. No.	Ref. No.
714239-53200	16	22
714870-22502	10	3
714870-22542	10	20
714870-22552	10	26
X2114274200	20	18
X2114715500	20	4
X2114811000	20	3
X211485016	20	11

Parts No.	Fig. No.	Ref. No.
-----------	----------	----------