

0CC50-M01600EN

P R E F A C E

This parts catalog is the 1st edition of L48N5-MPERYI, L48N5-MPEAYI for POWER EQUIPMENT.

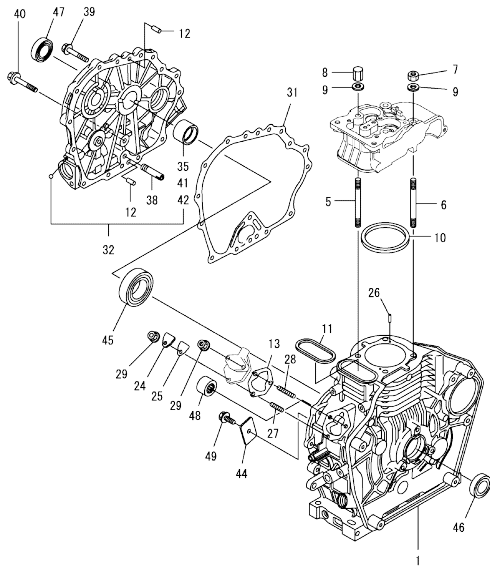
Published : July, 2018

Contents

0CC50-M01600

Fig. No.	Fig. Name	Fig. No.	Fig. Name
ENGINE			
1.	CYLINDER BLOCK		
2.	DRAIN PLUG		
3.	LABEL		
4.	CYLINDER HEAD & BONNET		
5.	SUCTION MANIFOLD		
6.	AIR CLEANER		
7.	EXHAUST MUFFLER		
8.	CAMSHAFT		
9.	CRANKSHAFT		
10.	FLYWHEEL		
11.	PISTON & CONNECTING ROD		
12.	BALANCER SHAFT		
13.	LUB. OIL PUMP & GOVERNOR		
14.	SWITCH CAP(OIL PRESSURE)		
15.	COVER		
16.	COOLING FAN CASE		
17.	FUEL INJECTION PUMP & FUEL INJECTION VALVE		
18.	FUEL TANK & FUEL PIPE		
19.	CONTROL DEVICE		
20.	CONTROL DEVICE		
21.	RECOIL STARTER		
22.	GASKET SET & TOOL		

Fig.1. CYLINDER BLOCK



(A)=L48N5-MPERY1
(B)=L48N5-MPEAY1
(C)=

(D)=
(E)=
(F)=

No.	Lev.	Parts No.	Description	Q'ty						I	R
				(A)	(B)	(C)	(D)	(E)	(F)		
1	1	114110-01020	BLOCK ASSY, CYLINDER	1	1						
5	1	114299-01200	BOLT, HEAD A	2	2						
6	1	114299-01210	BOLT, HEAD B	2	2						
7	1	114299-01220	NUT, CYLINDER HEAD A	2	2						
8	1	114299-01230	NUT, CYLINDER HEAD B	2	2						
9	1	124950-01250	WASHER, HEAD BOLT	4	4						
10	1	114295-01340	GASKET, HEAD T=0.5	1	1						
11	1	114299-01380	O-RING	1	1						
12	1	114299-01600	PIN, PARALLEL 8X12	2	2						
13	1	114299-01800	SHIM SET, PUMP	1	1						
24	1	114299-01830	COVER, PUMP	1	1						
25	1	114250-01841	GASKET, COVER	1	1						
26	1	22312-040080	PIN, PARALLEL M4X 8	2	2						
27	1	26226-060182	STUD, M6X 18	1	1						
28	1	26226-060222	STUD, M6X 22	2	2						
29	1	26366-060002	NUT, M6	3	3						
31	1	114299-01410	GASKET, CRANK CASE	1	1						
32	1	114299-01450	COVER, CRANK CASE D	1	1						
32-1	1	114111-01450	COVER, CRANK CASE D	1	1						N
		(A=ES77538) (B=2019.02)									
35	2	114250-02100	METAL, MAIN	1	1						1
35-1	2	114740-02110	BEARING, MAIN	1	1						N 1
		(A=2019.07) (B=2019.07)									
38	1	114299-35150	PIPE, OIL INLET	1	1						
39	1	26106-060252	BOLT, M6X 25 PLATED	14	14						
40	1	26106-080352	BOLT, M8X 35 PLATED	1	1						
41	1	114250-02200	METAL, MAIN 0.25 US	1	1						2
41-1	1	114740-02200	BEARING, MAIN 0.25OS	1	1						N 4
		(A=2019.07) (B=2019.07)									
42	1	114250-02210	METAL, MAIN 0.50 US	1	1						3
42-1	1	114740-02210	BEARING, MAIN 0.50OS	1	1						N 5
		(A=2019.07) (B=2019.07)									
44	1	114299-02030	RETAINER, BEARING	1	1						
45	1	114250-02113	BEARING, HR6306G3C3	1	1						
46	1	114299-02220	SEAL, OIL	1	1						
47	1	160210-02220	SEAL, OIL 25X41.2X8	1	1						
48	1	24162-152112	BEARING, 152112	1	1						
49	1	26106-080122	BOLT, M8X 12 PLATED	1	1						

Remarks

- (1) Spare parts.
- (2) Under-sized (U.S.=0.25) parts.
- (3) Under-sized (U.S.=0.50) parts.
- (4) Over-sized (O.S.=0.25) parts.
- (5) Over-sized (O.S.=0.50) parts.

OCC50-M01600 ENGINE
 Fig.2. DRAIN PLUG

OCC50-M01600 Fig.2

(A)=L48N5-MPERY1
 (B)=L48N5-MPEAY1
 (C)=

(D)=
 (E)=
 (F)=

No.	Lev.	Parts No.	Description	Q'ty					
				(A)	(B)	(C)	(D)	(E)	(F)
1	1	114299-01690	PLUG, DRAIN 16	2	2				
2	1	114299-01760	CAP ASSY, OIL SUPPLY	2	2				
4	2	114299-01950	O-RING, 18	2	2				
5	1	22190-160002	WASHER, SEAL 16	2	2				
7	1	114399-01700	COVER, STARTER	1	1				
8	1	26106-100122	BOLT, M10X 12 PLATED	2	2				

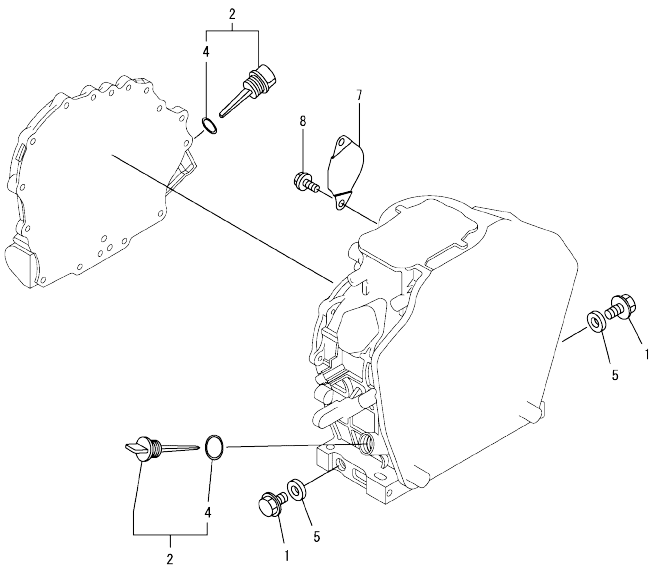
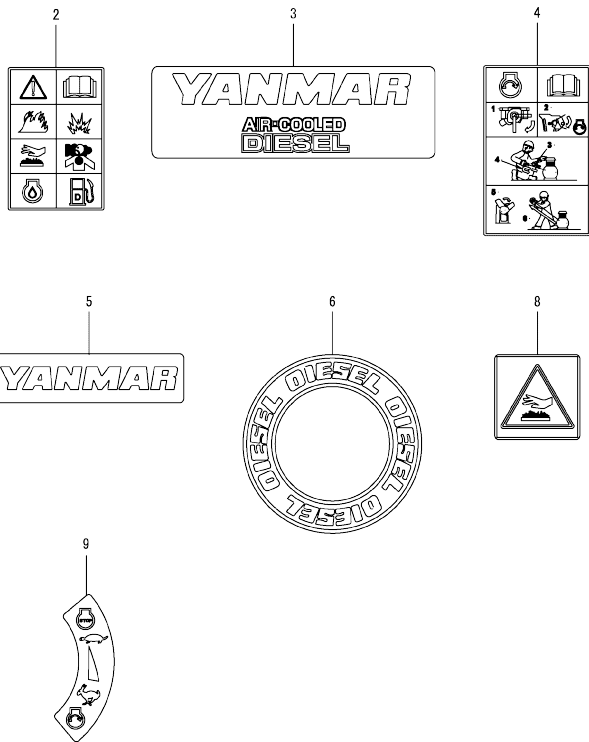


Fig.3. LABEL

(A)=L48N5-MPERY1
 (B)=L48N5-MPEAY1
 (C)=

(D)=
 (E)=
 (F)=

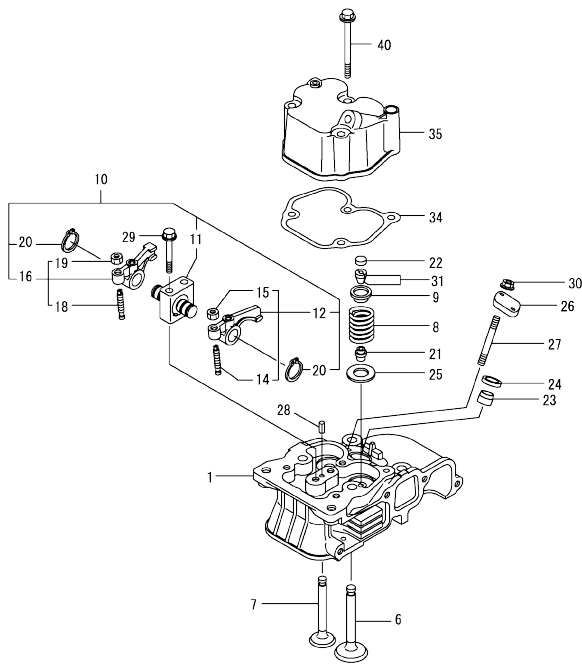


No.	Lev.	Parts No.	Description	Q'ty					
				(A)	(B)	(C)	(D)	(E)	(F)
2	1	114220-07100	LABEL, CAUTION	1	1				
3	1	114299-07101	LABEL, YANMAR MARK A	1	1				
4	1	114220-07110	LABEL, HOW TO START	1	1				
5	1	114299-07111	LABEL, YANMAR MARK B	1	1				
6	1	114299-07160	LABEL, DIESEL	1	1				
8	1	114220-07130	LABEL, HOT SURFACE	1	1				
9	1	114220-07160	LABEL, THAI	1	1				

Fig.4. CYLINDER HEAD & BONNET

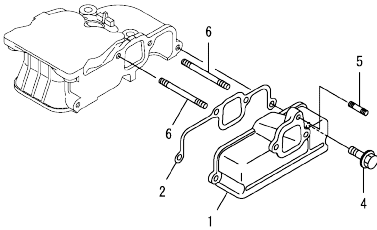
(A)=L48N5-MPERY1
(B)=L48N5-MPEAY1
(C)=

(D)=
(E)=
(F)=



No.	Lev.	Parts No.	Description	Q'ty						I	R
				(A)	(B)	(C)	(D)	(E)	(F)		
1	1	11429C-11030	HEAD ASSY, CYLINDER	1	1						
6	1	11429C-11100	VALVE, INTAKE	1	1						
7	1	11429C-11110	VALVE, EXHAUST	1	1						
8	1	114120-11120	SPRING, VALVE	2	2						
9	1	114250-11180	RETAINER, SPRING	2	2						
10	1	11429C-11250	SUPPORT ASSY, ROCKER	1	1						
11	2	11429C-11260	SUPPORT, ROCKER ARM	1	1						
12	2	11429C-11650	ARM ASSY, ROCKER INT	1	1						
14	3	114250-11240	SCREW, VALVE ADJUST	1	1						
15	3	26856-060002	NUT, M6	1	1						
16	2	11429C-11660	ARM ASSY, ROCKER EXH	1	1						
18	3	114250-11240	SCREW, VALVE ADJUST	1	1						
19	3	26856-060002	NUT, M6	1	1						
20	2	22242-000120	RING, 12	2	2						
21	1	114250-11341	SEAL, VALVE STEM	2	2						
22	1	119260-11370	CAP VALVE	2	2						
23	1	114240-11450	PROTECTOR, NOZZLE	1	1						
24	1	114240-11550	SEAT, NOZZLE	1	1						
25	1	114299-11600	WASHER, VALVE SPRING	2	2						
26	1	114299-11901	RETAINER, VALVE	1	1						
27	1	114110-11910	STUD, M6X65	2	2						
28	1	22351-040008	PIN, SPRING 4.0X 8	1	1						
29	1	26106-060452	BOLT, M6X 45 PLATED	2	2						
30	1	26366-060002	NUT, M6	2	2						
31	1	27310-055001	COTTER, 5.5	2	2						
34	1	114771-11310	GASKET, BONNET	1	1						
35	1	114295-11960	BONNET ASSY, HEAD	1	1						
40	1	26106-060552	BOLT, M6X 55 PLATED	3	3						

Fig.5. SUCTION MANIFOLD

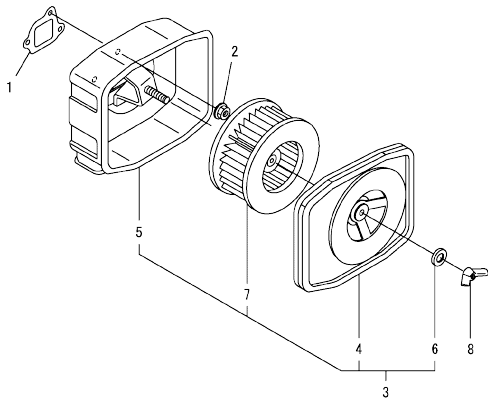


(A)=L48N5-MPERY1
 (B)=L48N5-MPEAY1
 (C)=

(D)=
 (E)=
 (F)=

No.	Lev.	Parts No.	Description	Q'ty					
				(A)	(B)	(C)	(D)	(E)	(F)
1	1	114771-12010	PIPE, AIR INTAKE A	1	1				
2	1	114771-12200	GASKET, INTAKE PIPE	1	1				
4	1	26106-060252	BOLT, M6X 25 PLATED	2	2				
5	1	26226-060142	STUD, M6X 14	1	1				
6	1	26226-060602	STUD, M6X 60	2	2				

Fig.6. AIR CLEANER



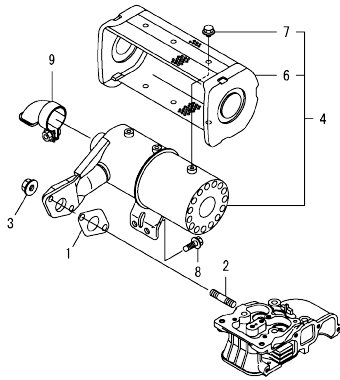
(A)=L48N5-MPERY1
(B)=L48N5-MPEAY1
(C)=

(D)=
(E)=
(F)=

No.	Lev.	Parts No.	Description	Q'ty						I	R
				(A)	(B)	(C)	(D)	(E)	(F)		
1	1	114299-12210	GASKET, AIR CLEANER	1	1						
2	1	114299-12300	NUT	3	3						
3	1	114120-12550	CLEANER ASSY, AIR	1	1						
3-1	1	114250-12570	CLEANER, AIR	1	1						R
		(A=ES92012) (B=*2021.05)									
4	2	114250-12520	COVER, AIR CLEANER	1	1						
5	2	114250-12530	CASE ASSY, CLEANER	1	1						
6	2	114250-12560	WASHER, SEAL M6	1	1						
7	2	114250-12581	ELEMENT, AIR CLEANER	1	1						
8	1	114250-12550	NUT, WING M6	1	1						

OCC50-M01600 ENGINE

Fig.7. EXHAUST MUFFLER



OCC50-M01600 Fig.7

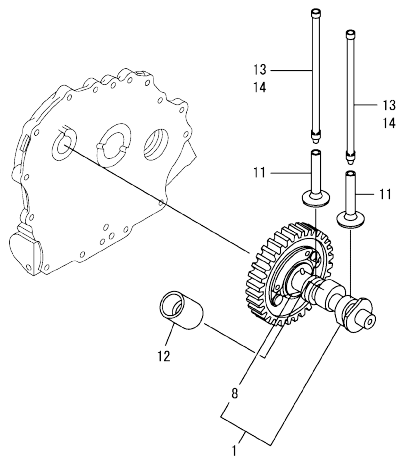
(A)=L48N5-MPERY1
(B)=L48N5-MPEAY1
(C)=

(D)=
(E)=
(F)=

No.	Lev.	Parts No.	Description	Q'ty					
				(A)	(B)	(C)	(D)	(E)	(F)
1	1	114299-13200	GASKET, MUFFLER	1	1				
2	1	26216-080182	STUD, M8X 18	2	2				
3	1	26106-060142	BOLT, M6X 14 PLATED	2	2				
4	1	114268-13500	MUFFLER ASSY, E-T	1	1				
6	2	114268-13700	COVER, SILENCER	1	1				
7	2	26106-060082	BOLT, M6X 8 PLATED	6	6				
8	1	26306-080002	NUT, M8	2	2				
9	1	114299-13800	EXTENSION ASSY	1	1				

OCC50-M01600 ENGINE
 Fig.8. CAMSHAFT

OCC50-M01600 Fig.8



(A)=L48N5-MPERY1
 (B)=L48N5-MPEAY1
 (C)=

(D)=
 (E)=
 (F)=

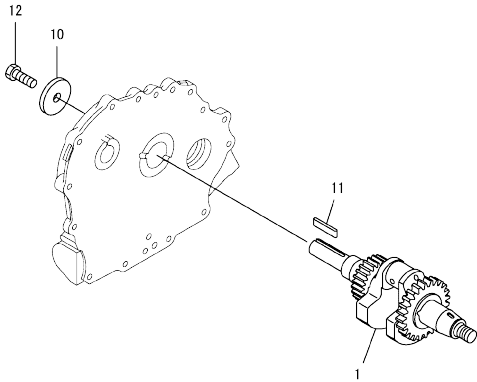
No.	Lev.	Parts No.	Description	Q'ty					
				(A)	(B)	(C)	(D)	(E)	(F)
1	1	714771-14580	CAMSHAFT ASSY	1	1				
8	2	114780-14562	SPRING,DECOMPRESSION	1	1				
11	1	114299-14200	TAPPET	2	2				
12	1	114771-14260	TAPPET	1	1				
13	1	114120-14400	ROD ASSY, PUSH	2					
14	1	114250-14451	ROD ASSY, PUSH		2				

Fig.9. CRANKSHAFT

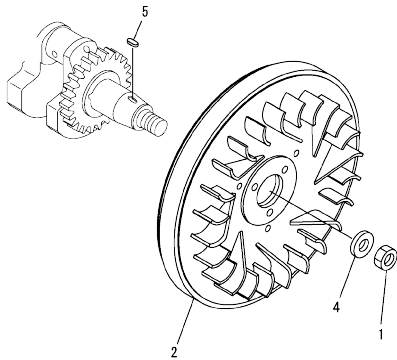
(A)=L48N5-MPERY1
 (B)=L48N5-MPEAY1
 (C)=

(D)=
 (E)=
 (F)=

No.	Lev.	Parts No.	Description	Q'ty					
				(A)	(B)	(C)	(D)	(E)	(F)
1	1	11429C-21750	CRANKSHAFT ASSY, E-D	1	1				
10	1	160310-14550	WASHER, PULLEY	1	1				
11	1	160642-21150	KEY, FEATHER 4.7X30	1	1				
12	1	160642-21250	BOLT, 5/15-24UNF	1	1				



OCC50-M01600 ENGINE
 Fig.10. FLYWHEEL



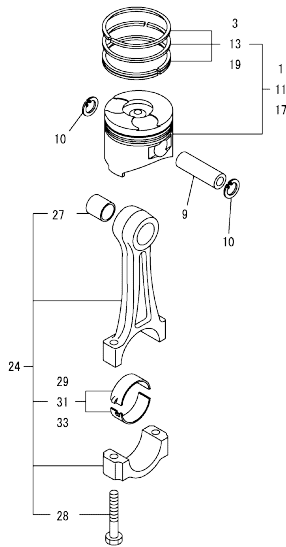
OCC50-M01600 Fig.10

(A)=L48N5-MPERY1
 (B)=L48N5-MPEAY1
 (C)=

(D)=
 (E)=
 (F)=

No.	Lev.	Parts No.	Description	Q'ty					
				(A)	(B)	(C)	(D)	(E)	(F)
1	1	114299-21220	NUT, WHEEL	1	1				
2	1	114299-21420	FLYWHEEL, DE	1	1				
4	1	114299-21550	WASHER, FLYWHEEL	1	1				
5	1	22512-040120	KEY, 4X 12	1	1				

Fig.11. PISTON & CONNECTING ROD



(A)=L48N5-MPERY1
(B)=L48N5-MPEAY1
(C)=

(D)=
(E)=
(F)=

No.	Lev.	Parts No.	Description	Q'ty						I	R
				(A)	(B)	(C)	(D)	(E)	(F)		
1	1	714120-22720	PISTON ASSY, D	1	1						
3	2	714295-22500	RING SET, PISTON	1	1						
9	1	114299-22300	PIN, PISTON D=19	1	1						
10	1	22252-000190	RING, 19	2	2						
11	1	714120-22630	PISTON ASSY, 0.25 OS	1	1						1
13	2	714295-22560	RING SET, PISTON .25	1	1						1
17	1	714120-22590	PISTON ASSY, 0.50 OS	1	1						2
19	2	714295-22570	RING SET, PISTON .50	1	1						2
24	1	71429C-23010	ROD ASSY, CONNECTING	1	1						
24-1	1	11412C-23700	ROD ASSY, CONNECTING	1	1						N
		(A=ES78687) (B=2019.02)									
27	3	114770-23100	BEARING, PISTON PIN	1	1						
27-1	3	114740-23100	BUSH, PISTON PIN	1	1						N
		(A=ES78687) (B=2019.02)									
28	3	114110-23200	BOLT, CONNECTING ROD	2	2						
29	2	714770-23600	METAL ASSY, CRANK PIN	1	1						
29-1	2	114740-23600	METAL, CRANK PIN	1	1						N
		(A=2019.10) (B=2019.10)									
31	1	714770-23610	METAL ASSY, PIN .25	1	1						3
31-1	1	114740-23610	METAL, CRANK PIN 0.25	1	1						N 1
		(A=2019.10) (B=2019.10)									
33	1	714770-23620	METAL ASSY, PIN .50	1	1						4
33-1	1	114740-23620	METAL, CRANK PIN 0.50	1	1						N 2
		(A=2019.10) (B=2019.10)									

Remarks

- (1)Over-sized(O.S.=0.25) parts.
- (2)Over-sized(O.S.=0.50) parts.
- (3)Under-sized(U.S.=0.25) parts.
- (4)Under-sized(U.S.=0.50) parts.

Fig.12. BALANCER SHAFT

(A)=L48N5-MPERY1
 (B)=L48N5-MPEAY1
 (C)=

(D)=
 (E)=
 (F)=

No.	Lev.	Parts No.	Description	Q'ty					
				(A)	(B)	(C)	(D)	(E)	(F)
1	1	714770-28531	SHAFT ASSY, BALANCER	1	1				
6	1	24101-062020	BEARING, BALL 6202C3	2	2				

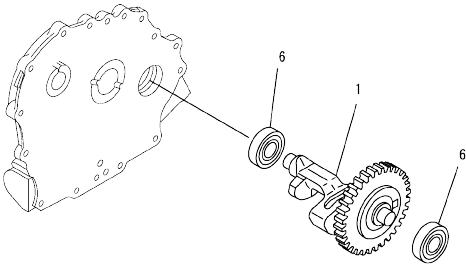
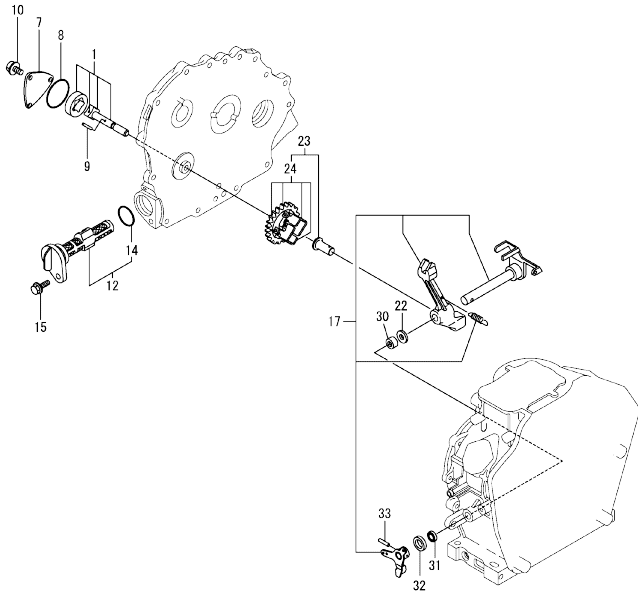


Fig.13. LUB. OIL PUMP & GOVERNOR



(A)=L48N5-MPERY1
(B)=L48N5-MPEAY1
(C)=

(D)=
(E)=
(F)=

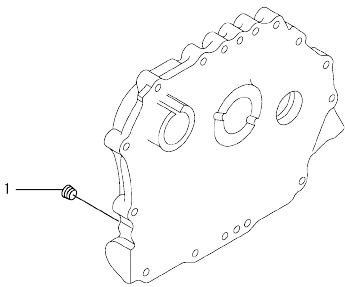
No.	Lev.	Parts No.	Description	Q'ty						I	R
				(A)	(B)	(C)	(D)	(E)	(F)		
1	1	114250-32010	PUMP ASSY, OIL	1	1						
7	1	114299-32070	COVER, OIL PUMP	1	1						
8	1	114299-32570	O-RING, PUMP COVER	1	1						
9	1	22312-030160	PIN, PARALLEL M3X16	1	1						
10	1	26106-060122	BOLT, M6X 12 PLATED	3	3						
12	1	114299-35110	FILTER ASSY, OIL	1	1						
14	2	24341-000224	O-RING, 1AS22.4	1	1						
15	1	26106-060162	BOLT, M6X 16 PLATED	1	1						
17	1	114295-61170	LEVER, GOVERNOR NO.2	1	1						1
22	1	114299-61190	WASHER, GOVERNOR	1	1						
23	1	114299-61700	GOVERNOR ASSY	1	1						
24	2	114299-61210	WEIGHT ASSY, GOVERNOR	1	1						
30	1	114770-61520	BEARING, NEEDLE	2	2						
31	1	114299-61600	SEAL, OIL	1	1						
32	1	114770-61610	WASHER, THRUST	1	1						
33	1	22322-030200	PIN, TAPER 3X20	1	1						

Remarks

(1) On a guarantee of quality, component parts shall not be sold.

OCC50-M01600 ENGINE

Fig.14. SWITCH CAP(OIL PRESSURE)



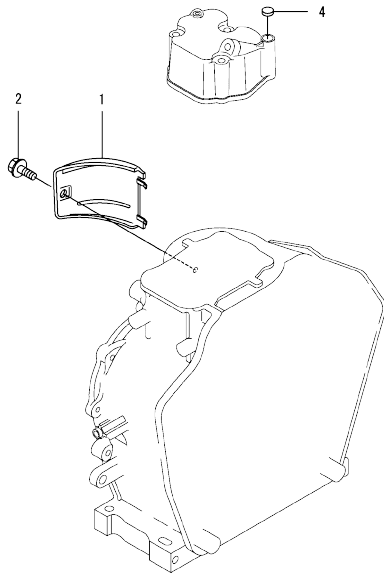
OCC50-M01600 Fig.14

(A)=L48N5-MPERY1
(B)=L48N5-MPEAY1
(C)=

(D)=
(E)=
(F)=

No.	Lev.	Parts No.	Description	Q'ty						I	R
				(A)	(B)	(C)	(D)	(E)	(F)		
1	1	23876-010000	PLUG, R01	1	1						

OCC50-M01600 ENGINE
 Fig.15. COVER



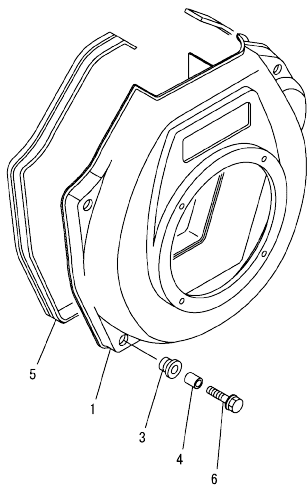
OCC50-M01600 Fig.15

(A)=L48N5-MPERY1
 (B)=L48N5-MPEAY1
 (C)=

(D)=
 (E)=
 (F)=

No.	Lev.	Parts No.	Description	Q'ty					
				(A)	(B)	(C)	(D)	(E)	(F)
1	1	114299-45210	COVER, CYLINDER	1	1				
2	1	26106-060122	BOLT, M6X 12 PLATED	1	1				
4	1	129100-61850	PLUG, BORE 12	1	1				

Fig.16. COOLING FAN CASE

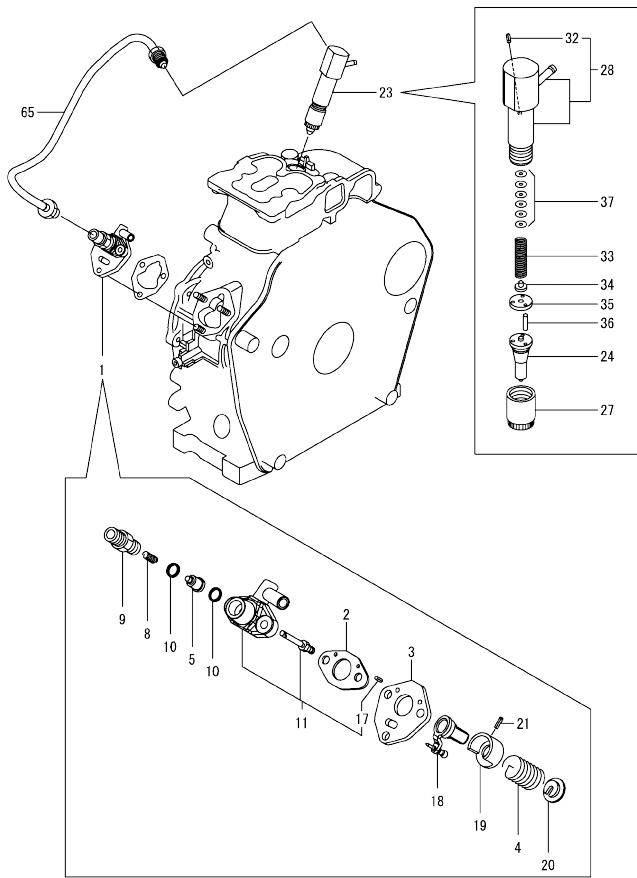


(A)=L48N5-MPERY1
(B)=L48N5-MPEAY1
(C)=

(D)=
(E)=
(F)=

No.	Lev.	Parts No.	Description	Q'ty					
				(A)	(B)	(C)	(D)	(E)	(F)
1	1	114295-45150	CASE, COOLING FAN	1	1				
3	1	114299-45301	RUBBER, FAN CASE	4	4				
4	1	114299-45310	COLLAR, FAN CASE	4	4				
5	1	114120-45330	SEAL, FAN CASE	1	1				
6	1	114299-45350	BOLT, FAN CASE	4	4				

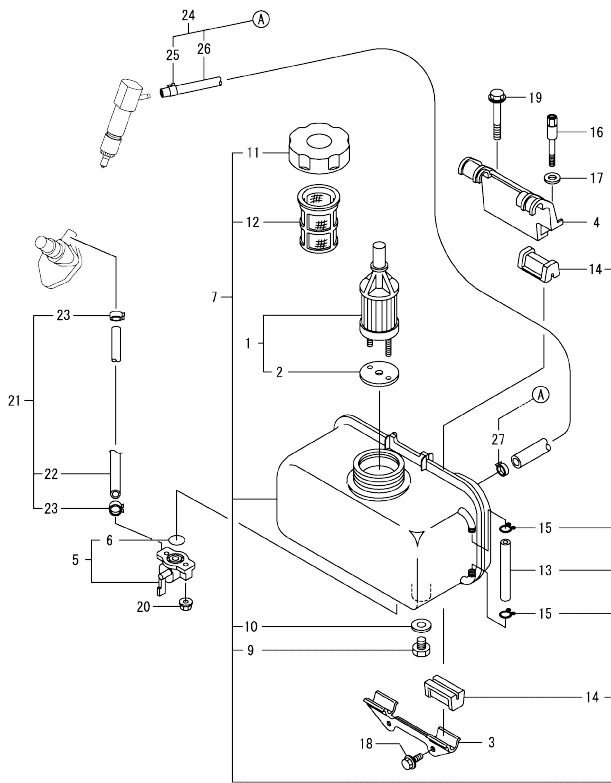
Fig.17. FUEL INJECTION PUMP & FUEL INJECTION VALVE



No.	Lev.	Parts No.	Description	Q'ty					
				(A)	(B)	(C)	(D)	(E)	(F)
1	1	714139-51210	PUMP ASSY, INJECTION	1	1				
2	2	105546-51020	GASKET, PUMP BODY	1	1				
3	2	114250-51080	PLATE	1	1				
4	2	114250-51160	SPRING, PLUNGER	1	1				
5	2	114250-51300	VALVE ASSY, DELIVERY	1	1				
8	2	105546-51330	SPRING, DELIVERY	1	1				
9	2	114250-51340	HOLDER, DELIVERY	1	1				
10	2	124550-51350	GASKET, DELIVERY	2	2				
11	2	114350-51200	BODY ASSY, PUMP	1	1				
17	4	22351-020006	PIN, SPRING 2.0X 6	2	2				
18	2	114250-51500	LEVER, CONTROL	1	1				
19	2	114250-51640	SEAT, SPRING A	1	1				
20	2	114250-51650	SEAT, SPRING B	1	1				
21	2	22351-030008	PIN, SPRING 3.0X 8	1	1				
23	1	714139-53200	VALVE ASSY, INJECTION	1	1				
24	2	114139-53200	VALVE ASSY, INJECTION	1	1				
27	2	114250-53080	NUT, NOZZLE	1	1				
28	2	114139-53100	HOLDER ASSY, NOZZLE	1	1				
32	3	22351-025005	PIN, SPRING 2.5X 6	1	1				
33	2	114250-53120	SPRING, NOZZLE	1	1				
34	2	114250-53130	SEAT, SPRING	1	1				
35	2	114250-53140	SPACER, VALVE STOP	1	1				
36	2	114250-53210	PIN, POSITIONING	2	2				
37	2	119803-53400	SHIM SET	1	1				
65	1	114120-59800	PIPE ASSY, INJECTION	1	1				

N:Old $\frac{100}{100}$ New, Q:Old $\frac{100}{100}$ New, R:Old $\frac{100}{100}$ New, S:Old $\frac{100}{100}$ New, W:Add, Z:Discontinued, F:Interchangeable by set, K:Q'ty Change
 Copyright (C) 2018 YANMAR GLOBAL CS CO., LTD. All Rights Reserved.

Fig.18. FUEL TANK & FUEL PIPE

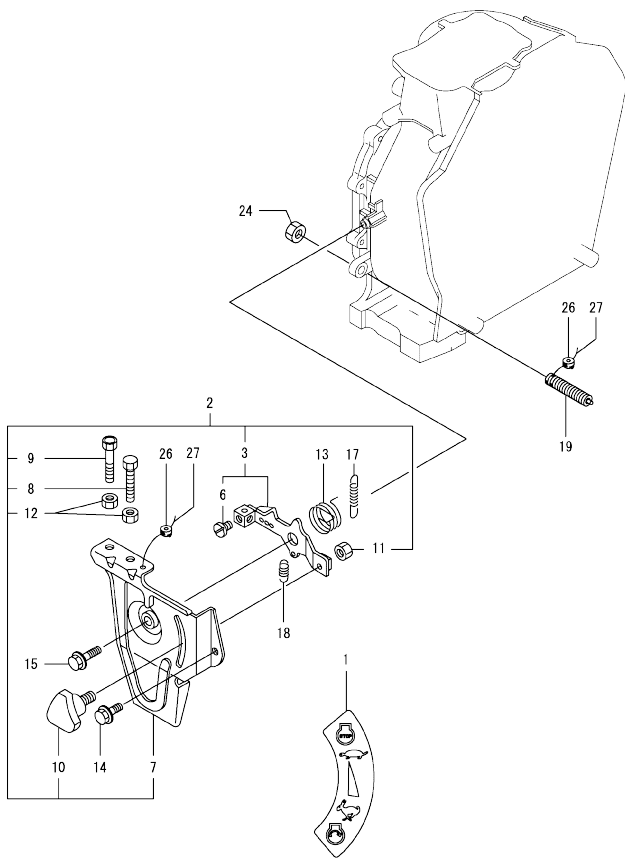


No.	Lev.	Parts No.	Description	Q'ty						I	R
				(A)	(B)	(C)	(D)	(E)	(F)		
1	1	114250-55122	FILTER ASSY,FUEL OIL	1	1						
2	2	114250-55130	GASKET	1	1						
3	1	114299-55210	STAY, FUEL TANK A	1	1						
4	1	114299-55230	STAY, FUEL TANK B	1	1						
5	1	114250-55301	COCK ASSY, FUEL	1	1						
6	2	24341-000150	O-RING, 1AS15.0	1	1						
7	1	11429C-55730	TANK ASSY, FUEL	1	1						
9	2	114299-55080	PLUG, DRAIN	1	1						
10	2	23414-080000	GASKET, 8X1.0	1	1						
11	2	114299-55040	CAP ASSY, FUEL TANK	1	1						
12	2	114299-55110	STRAINER, FUEL TANK	1	1						
13	2	114250-55150	GAUGE, OIL LEVEL	1	1						
14	2	114250-55201	DAMPER, FUEL TANK	4	4						
15	2	23080-007000	CLAMP, 7	2	2						
16	1	114210-55810	BOLT, LIFTING	1	1						
17	1	22117-080000	WASHER, 8	1	1						
18	1	26106-060162	BOLT, M6X 16 PLATED	2	2						
19	1	26106-080452	BOLT, M8X 45 PLATED	1	1						
20	1	26366-060002	NUT, M6	2	2						
21	1	114780-59010	PIPE ASSY, FUEL L50	1	1						
22	2	114780-59060	PIPE, FUEL L=50	1	1						
23	2	23080-014000	CLAMP, 14	2	2						
24	1	114120-59300	PIPE ASSY, RETURN	1	1						
24-1	1	114120-59301	PIPE ASSY, FO RETURN	1	1						N
(A)=E579121) (B)=2019.03)											
25	2	124722-59050	CLAMP, HOSE 9	1	1						
26	2	114650-59060	PIPE, FUEL RETURN	1	1						
26-1	2	114650-59061	PIPE, FO RETURN	1	1						N
(A)=E579121) (B)=2019.03)											
27	2	124066-59100	CLAMP, HOSE 8	1	1						

Fig.19. CONTROL DEVICE

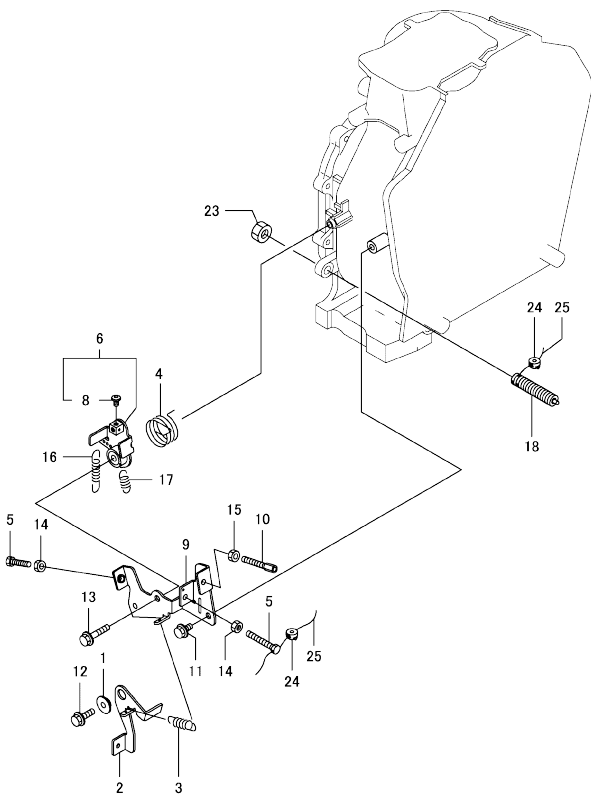
(A)=L48N5-MPERY1
(B)=L48N5-MPEAY1
(C)=

(D)=
(E)=
(F)=



No.	Lev.	Parts No.	Description	Q'ty						I	R
				(A)	(B)	(C)	(D)	(E)	(F)		
1	1	114220-07160	LABEL, THAI	1							
2	1	714210-66100	CONTROL ASSY, SPEED	1							
3	2	114210-66060	HANDLE ASSY	1							
6	3	26117-050089	BOLT, M5X 8 PLATED	1							
7	2	114210-66100	BRACKET, REGULATOR	1							
8	2	114299-66440	BOLT, ADJUSTER	1							
9	2	114299-67080	BOLT, ADJUST	1							
10	2	160725-78350	BOLT, KNOB M6X15	1							
11	2	26347-060002	NUT, M6	1							
12	2	26857-060002	NUT, M6	2							
13	1	114299-66250	SPRING, RETURN	1							
14	1	26106-060142	BOLT, M6X 14 PLATED	1							
15	1	26106-060202	BOLT, M6X 20 PLATED	1							
17	1	114770-66010	SPRING, REGULATOR	1							
18	1	114299-66201	SPRING, RETURN	1							
19	1	114211-66600	LIMITER ASSY, FUEL	1							
24	1	26776-100002	NUT, LOCK M10	1							
26	1	114780-61090	TIN	2							
27	1	22451-060000	WIRE, 0.6	2							

Fig.20. CONTROL DEVICE

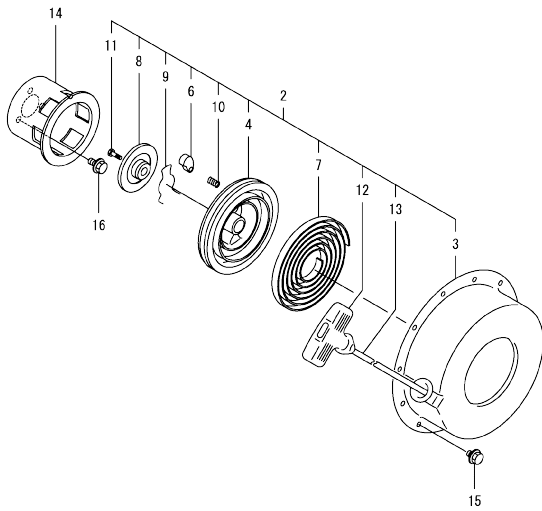


(A)=L48N5-MPERY1
(B)=L48N5-MPEAY1
(C)=

(D)=
(E)=
(F)=

No.	Lev.	Parts No.	Description	Q'ty						I	R
				(A)	(B)	(C)	(D)	(E)	(F)		
1	1	114654-66140	PIECE		1						
2	1	114650-66150	LEVER, STOP		1						
3	1	114268-66200	SPRING, RETURN		1						
4	1	114299-66250	SPRING, RETURN		1						
5	1	114299-66440	BOLT, ADJUSTING		2						
6	1	114652-66871	LEVER, REGULATOR		1						
8	2	105225-66990	SCREW, M5X8.5		1						
9	1	114652-66881	BRACKET		1						
10	1	114299-67080	BOLT, ADJUSTING		1						
11	1	26106-060122	BOLT, M6X 12 PLATED		1						
12	1	26106-060202	BOLT, M6X 20 PLATED		1						
13	1	26106-060302	BOLT, M6X 30 PLATED		1						
14	1	26857-060002	NUT, M6		2						
15	1	26857-060002	NUT, M6		1						
16	1	114770-66010	SPRING, REGULATOR		1						
17	1	114299-66201	SPRING, RETURN		1						
18	1	114211-66600	LIMITER ASSY, FUEL		1						
23	1	26776-100002	NUT, LOCK M10		1						
24	1	114780-61090	TIN		3						
25	1	22451-060000	WIRE, 0.6		3						

Fig.21. RECOIL STARTER

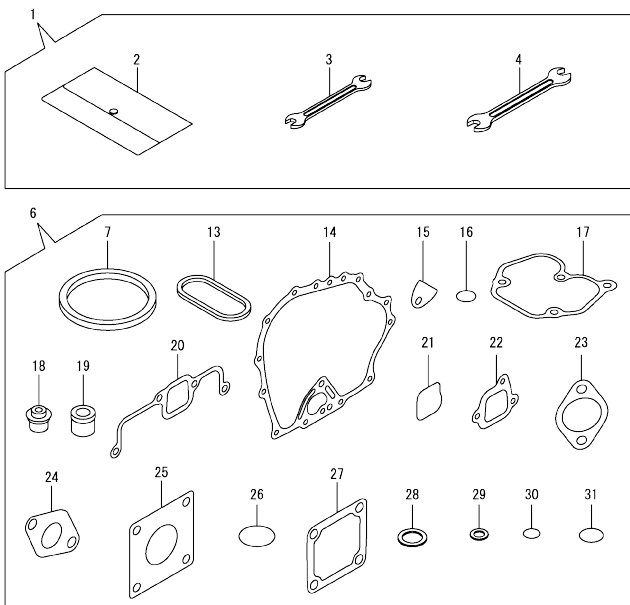


(A)=L48N5-MPERY1
 (B)=L48N5-MPEAY1
 (C)=

(D)=
 (E)=
 (F)=

No.	Lev.	Parts No.	Description	Q'ty					
				(A)	(B)	(C)	(D)	(E)	(F)
2	2	114299-76250	STARTER ASSY, RECOIL	1	1				
3	3	114299-76500	CASE, STARTER	1	1				
4	3	114299-76521	REEL, RECOIL STARTER	1	1				
6	3	114399-76531	RATCHET	1	1				
7	3	114399-76540	SPRING, SPIRAL	1	1				
8	3	114399-76550	COVER, RATCHET	1	1				
9	3	114399-76560	SPRING	1	1				
10	3	114399-76570	SPRING, RETURN	1	1				
11	3	114399-76580	SCREW	1	1				
12	3	114399-76620	KNOB, STARTER	1	1				
13	3	114299-76630	ROPE, STARTER	1	1				
14	2	114299-76590	PULLEY, STARTER	1	1				
15	1	26106-060082	BOLT, M6X 8 PLATED	4	4				
16	1	26106-060122	BOLT, M6X 12 PLATED	3	3				

Fig.22. GASKET SET & TOOL



No.	Lev.	Parts No.	Description	Q'ty						
				(A)	(B)	(C)	(D)	(E)	(F)	
1	1	114299-92590	TOOL ASSY	1	1					
2	2	114299-92600	BAG, TOOL	1	1					
3	2	114299-92710	WRENCH	1	1					
4	2	114299-92720	WRENCH	1	1					
6	1	114120-92600	GASKET SET	1	1					1
7	2	114295-01330	GASKET, HEAD	1	1					
13	2	114299-01380	O-RING	1	1					
14	2	114299-01410	GASKET, CRANK CASE	1	1					
15	2	114250-01841	GASKET, COVER	1	1					
16	2	114299-01950	O-RING, 18	2	2					
17	2	114771-11310	GASKET, BONNET	1	1					
18	2	114250-11341	SEAL, VALVE STEM	2	2					
19	2	114771-11461	GASKET, NOZZLE	1	1					
20	2	114771-12200	GASKET, INTAKE PIPE	1	1					
21	2	114288-12210	O-RING, SUCTION PIPE	1	1					
22	2	114299-12210	GASKET, AIR CLEANER	2	2					
23	2	114299-12920	GASKET, AIR CLEANER	1	1					
24	2	114299-13200	GASKET, MUFFLER	1	1					
25	2	114299-21980	GASKET, OIL SEAL	1	1					
26	2	114299-32570	O-RING, PUMP COVER	1	1					
27	2	129100-77510	GASKET, AIR HEATER	3	3					
28	2	22190-160002	WASHER, SEAL 16	2	2					
29	2	23414-080000	GASKET, 8X1.0	1	1					
30	2	24341-000150	O-RING, 1AS15.0	1	1					
31	2	24341-000224	O-RING, 1AS22.4	1	1					

Parts No. Index

Parts No.	Fig. No.	Ref. No.	Parts No.	Fig. No.	Ref. No.	Parts No.	Fig. No.	Ref. No.	Parts No.	Fig. No.	Ref. No.
105225-66990	20	8	114250-51160	17	4	114299-12300	6	2	11429C-11260	4	11
105546-51020	17	2	114250-51300	17	5	114299-12920	22	23	11429C-11650	4	12
105546-51330	17	8	114250-51340	17	9	114299-13200	7	1	11429C-11660	4	16
114110-01020	1	1	114250-51500	17	18		22	24	11429C-21750	9	1
114110-11910	4	27	114250-51640	17	19	114299-13800	7	9	11429C-55730	18	7
114110-23200	11	28	114250-51650	17	20	114299-14200	8	11	114350-51200	17	11
114111-01450	1	32 -1	114250-53080	17	27	114299-21220	10	1	114399-01700	2	7
114120-11120	4	8	114250-53120	17	33	114299-21420	10	2	114399-76531	21	6
114120-12550	6	3	114250-53130	17	34	114299-21550	10	4	114399-76540	21	7
114120-14400	8	13	114250-53140	17	35	114299-21980	22	25	114399-76550	21	8
114120-45330	16	5	114250-53210	17	36	114299-22300	11	9	114399-76560	21	9
114120-59300	18	24	114250-55122	18	1	114299-32070	13	7	114399-76570	21	10
114120-59301	18	24 -1	114250-55130	18	2	114299-32570	13	8	114399-76580	21	11
114120-59800	17	65	114250-55150	18	13		22	26	114399-76620	21	12
114120-92600	22	6	114250-55201	18	14	114299-35110	13	12	114650-59060	18	26
11412C-23700	11	24 -1	114250-55301	18	5	114299-35150	1	38	114650-59061	18	26 -1
114139-53100	17	28	114268-13500	7	4	114299-45210	15	1	114650-66150	20	2
114139-53200	17	24	114268-13700	7	6	114299-45301	16	3	114652-66871	20	6
114210-55810	18	16	114268-66200	20	3	114299-45310	16	4	114652-66881	20	9
114210-66060	19	3	114288-12210	22	21	114299-45350	16	6	114654-66140	20	1
114210-66100	19	7	114295-01330	22	7	114299-55040	18	11	114740-02110	1	35 -1
114211-66600	19	19	114295-01340	1	10	114299-55080	18	9	114740-02200	1	41 -1
	20	18	114295-11960	4	35	114299-55110	18	12	114740-02210	1	42 -1
114220-07100	3	2	114295-45150	16	1	114299-55210	18	3	114740-23100	11	27 -1
114220-07110	3	4	114295-61170	13	17	114299-55230	18	4	114740-23600	11	29 -1
114220-07130	3	8	114299-01200	1	5	114299-61190	13	22	114740-23610	11	31 -1
114220-07160	3	9	114299-01210	1	6	114299-61210	13	24	114740-23620	11	33 -1
	19	1	114299-01220	1	7	114299-61600	13	31	114770-23100	11	27
114240-11450	4	23	114299-01230	1	8	114299-61700	13	23	114770-61520	13	30
114240-11550	4	24	114299-01380	1	11	114299-66201	19	18	114770-61610	13	32
114250-01841	1	25		22	13		20	17	114770-66010	19	17
	22	15	114299-01410	1	31	114299-66250	19	13		20	16
114250-02100	1	35		22	14		20	4	114771-11310	4	34
114250-02113	1	45	114299-01450	1	32	114299-66440	19	8		22	17
114250-02200	1	41	114299-01600	1	12		20	5	114771-11461	22	19
114250-02210	1	42	114299-01690	2	1	114299-67080	19	9	114771-12010	5	1
114250-11180	4	9	114299-01760	2	2		20	10	114771-12200	5	2
114250-11240	4	14	114299-01800	1	13	114299-76250	21	2		22	20
	18		114299-01830	1	24	114299-76500	21	3	114771-14260	8	12
114250-11341	4	21	114299-01950	2	4	114299-76521	21	4	114780-14562	8	8
	22	18		22	16	114299-76590	21	14	114780-59010	18	21
114250-12520	6	4	114299-02030	1	44	114299-76630	21	13	114780-59060	18	22
114250-12530	6	5	114299-02220	1	46	114299-92590	22	1	114780-61090	19	26
114250-12550	6	8	114299-07101	3	3	114299-92600	22	2		20	24
114250-12560	6	6	114299-07111	3	5	114299-92710	22	3	119260-11370	4	22
114250-12570	6	3 -1	114299-07160	3	6	114299-92720	22	4	119803-53400	17	37
114250-12581	6	7	114299-11600	4	25	11429C-11030	4	1	124066-59100	18	27
114250-14451	8	14	114299-11901	4	26	11429C-11100	4	6	124550-51350	17	10
114250-32010	13	1	114299-12210	6	1	11429C-11110	4	7	124722-59050	18	25
114250-51080	17	3		22	22	11429C-11250	4	10	124950-01250	1	9

Parts No. Index

Parts No.	Fig. No.	Ref. No.
129100-61850	15	4
129100-77510	22	27
160210-02220	1	47
160310-14550	9	10
160642-21150	9	11
160642-21250	9	12
160725-78350	19	10
22117-080000	18	17
22190-160002	2	5
	22	28
22242-000120	4	20
22252-000190	11	10
22312-030160	13	9
22312-040080	1	26
22322-030200	13	33
22351-020006	17	17
22351-025005	17	32
22351-030008	17	21
22351-040008	4	28
22451-060000	19	27
	20	25
22512-040120	10	5
23080-007000	18	15
23080-014000	18	23
23414-080000	18	10
	22	29
23876-010000	14	1
24101-062020	12	6
24162-152112	1	48
24341-000150	18	6
	22	30
24341-000224	13	14
	22	31
26106-060082	7	7
	21	15
26106-060122	13	10
	15	2
	20	11
	21	16
26106-060142	7	3
	19	14
26106-060162	13	15
	18	18
26106-060202	19	15
	20	12
26106-060252	1	39
	5	4
26106-060302	20	13
26106-060452	4	29
26106-060552	4	40

Parts No.	Fig. No.	Ref. No.
26106-080122	1	49
26106-080352	1	40
26106-080452	18	19
26106-100122	2	8
26117-050089	19	6
26216-080182	7	2
26226-060142	5	5
26226-060182	1	27
26226-060222	1	28
26226-060602	5	6
26306-080002	7	8
26347-060002	19	11
26366-060002	1	29
	4	30
	18	20
26776-100002	19	24
	20	23
26856-060002	4	15
		19
26857-060002	19	12
	20	14
		15
27310-055001	4	31
714120-22590	11	17
714120-22630	11	11
714120-22720	11	1
714139-51210	17	1
714139-53200	17	23
714210-66100	19	2
714295-22500	11	3
714295-22560	11	13
714295-22570	11	19
71429C-23010	11	24
714770-23600	11	29
714770-23610	11	31
714770-23620	11	33
714770-28531	12	1
714771-14580	8	1

Parts No.	Fig. No.	Ref. No.
-----------	----------	----------

Parts No.	Fig. No.	Ref. No.
-----------	----------	----------