

0CW10-M79100EN

P R E F A C E

1. This parts catalog is the 1st edition of L48N5SF1F1AARS for EP BARRUS.

Pub.No. : 0CW10-G79100

Published : November, 2012

2. Model name

Engine model	Vehicle	Vehicle made by
L48N5SF1F1AARS	PUMP	EP BARRUS

Directions for the Parts Catalog.

1. This Parts Catalog shows both standard and optional parts.
2. Parts may change without prior notice.
3. The following is an example of the Parts Catalog format.

REF.	LEV.	PARTS NO.	DESCRIPTION	Q'TY						I	R
				(A)	(B)	(C)	(D)	(E)	(F)		
1	1	729595-51390	FUEL INJECTION PUMP	1	1	1	1	1			1
1-1	1	729595-51391	FUEL INJECTION PUMP	1	1	1	1	1		N	1
		(A=E00185) (B=E00200)									
3	2	26022-060162	SCREW M 6X 16	9	9	9	9	9			
3-1	2	26022-060162	SCREW M 6X 16	4	4	4	4	4		K	
		(A=E00156) (B=E00156) (C=E00156) (D=E00156) (E=E00156)									
4	2	129470-51040	CAMSHAFT	1	1	1	1	1			
5	2	122710-51050	BEARING, ROLLER	2	2	2	2	2			
6	2	129470-51060	RETAINER	1	1	1	1	1			

Remarks
(1) BOOST COMPEMSATOR TYPE. OPTIONAL PART, TO E00155,(4JH-DT, 4JH-DTZ

① Ref. No.

The Ref. No. listed may not be in accordance with the illustration Ref. No.

(Ex.) Illustration No.

List Ref No.

1 1 (Before change) → 1-1 (After change)

For interchangeable symbols N, R and K, illustrations for new parts may be abbreviated.

② Lev. (Level)

Level indication

The numbers below indicate the level of relativity towards the main part.

1 ---- Main parts (Assembly parts)

2 ---- Sub component included in " 1 ".

3 ---- Sub component included in " 2 ".

Note) Parts that are not for sale are partially illustrated but not listed.

③ Interchangeability Symbol

When a part change takes place, one of the following interchangeability symbols is indicated beside the part.

Symbol	Interchangeability	Contents note
N	Old $\begin{matrix} \leftarrow \text{Yes} \\ \text{No} \rightarrow \end{matrix}$ New	New Part is interchangeable for Old Part but Old Part is not interchangeable for New Part.
Q	Old $\begin{matrix} \leftarrow \text{No} \\ \text{Yes} \rightarrow \end{matrix}$ New	New Part is not interchangeable for Old Part but Old Part is interchangeable for New Part.
R	Old $\begin{matrix} \leftarrow \text{Yes} \\ \text{Yes} \rightarrow \end{matrix}$ New	New/ Old Parts are both interchangeable.
S	Old $\begin{matrix} \leftarrow \text{No} \\ \text{No} \rightarrow \end{matrix}$ New	New/ Old Parts are both not interchangeable.
W		Part newly added.
Z		Part discontinued.
F		Not interchangeable by a single part but interchangeable together with related parts.
K		Changes only for used parts quantities.

④ Effective Machine No.

When a part changes, the effective Machine No. will be indicated in the (A)-(F) column.

Product Symbol	Product No.	Product Symbol	Product No.
C	Clutch No. Compressor No.	F	Machine No. (Agricultural Equip.)
D	Drive No.	M	Machine No.
E	Engine No.		

Note 1) A date may follow the symbol. (Ex.) 1996.01

Note 2) "XXXXX" and "ZZZZZ" are for parts that could not be predicted or for engine models that could not be identified.

Note 3) (A=E00185) is the E (Engine Serial Number) for the column (A) model (in this case 4JH-DT) after the parts design change.

⑤ Remarks

Figures or alphabets (symbols) are entered in the remarks column.

The comments (remarks) on parts that are indicated at the bottom of the illustration are the same symbols as those stated above.

Contents

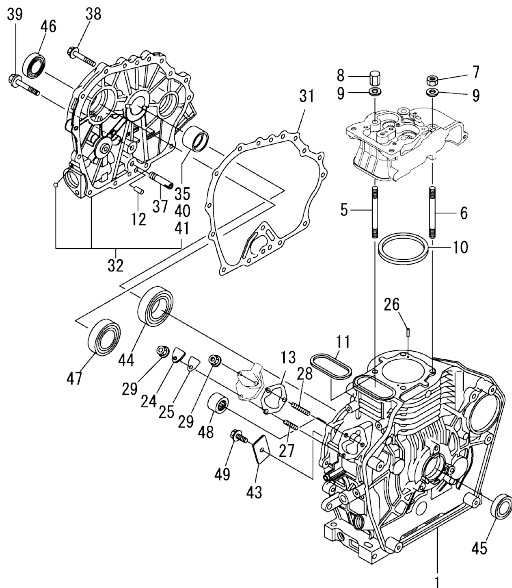
0CW10-M79100

Fig. No.	Fig. Name	Fig. No.	Fig. Name
L48N5SF1F1AARS			
1.	CYLINDER BLOCK		
2.	DRAIN PLUG		
3.	LABEL		
4.	CYLINDER HEAD & BONNET		
5.	INTAKE MANIHOLD		
6.	AIR CLEANER		
7.	EXHAUST MUFFLER		
8.	CAMSHAFT		
9.	CRANKSHAFT		
10.	FLYWHEEL		
11.	PISTON & CONNECTING ROD		
12.	BALANCER SHAFT		
13.	LUB.OIL PUMP & GOVERNOR		
14.	OIL PRESSURE SWITCH CAP		
15.	COVER		
16.	COOLING FAN CASE		
17.	F.I.PUMP & F.I.VALVE		
18.	FUEL TANK & FUEL PIPE		
19.	SPEED CONTROL DEVICE		
20.	RECOIL STARTER		
21.	TOOL & GASKET SET		

Fig.1. CYLINDER BLOCK

(A)=L48N5SF1F1AARS
(B)=
(C)=

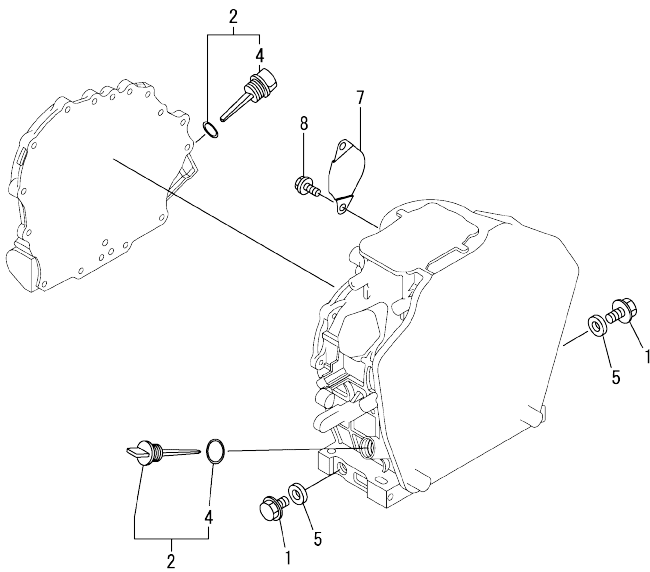
(D)=
(E)=
(F)=



No.	Lev.	Parts No.	Description	Q'ty						I	R
				(A)	(B)	(C)	(D)	(E)	(F)		
1	1	11429C-01020	BLOCK ASSY, CYLINDER	1							
5	1	114299-01200	BOLT, HEAD	2							
6	1	114299-01210	BOLT, HEAD	2							
7	1	114299-01220	NUT, CYLINDER HEAD A	2							
8	1	114299-01230	NUT, CYLINDER HEAD B	2							
9	1	124950-01250	WASHER	4							
10	1	114295-01340	GASKET, HEAD 0.5	1							
11	1	114299-01380	O-RING	1							
12	1	114299-01600	PIN, 8X12	2							
13	1	114299-01800	SHIM SET	1							
24	1	114299-01830	COVER	1							
25	1	114250-01841	GASKET	1							
26	1	22312-040080	PIN, PARALLEL M4X 8	2							
27	1	26226-060182	STUD, M6X 18	1							
28	1	26226-060222	STUD, M6X 22	2							
29	1	26366-060002	NUT, M6	3							
31	1	114299-01410	GASKET, CRANK CASE	1							
32	1	114299-01470	COVER(RS),CRANK CASE	1							
35	2	114250-02100	BEARING, MAIN	1							1
37	1	114299-35150	PIPE, OIL INLET	1							
38	1	26106-060252	BOLT, M6X 25 PLATED	14							
39	1	26106-080352	BOLT, M8X 35 PLATED	1							
40	1	114250-02200	BEARING, 0.25 US	1							2
41	1	114250-02210	BEARING, 0.50 US	1							3
43	1	114299-02030	RETAINER, BEARING	1							
44	1	114250-02113	BEARING, HR6306G3C3	1							
45	1	114299-02220	SEAL, OIL	1							
46	1	160210-02220	SEAL, 25X41.2X8	1							
47	1	24101-062050	BEARING, BALL 6205C3	1							
48	1	24162-152112	BEARING, 152112	1							
49	1	26106-080122	BOLT, M8X 12 PLATED	1							

Remarks
(1)Spare parts.
(2)Under sized(U.S.=0.25)parts.
(3)Under sized(U.S.=0.50)parts.

Fig.2. DRAIN PLUG

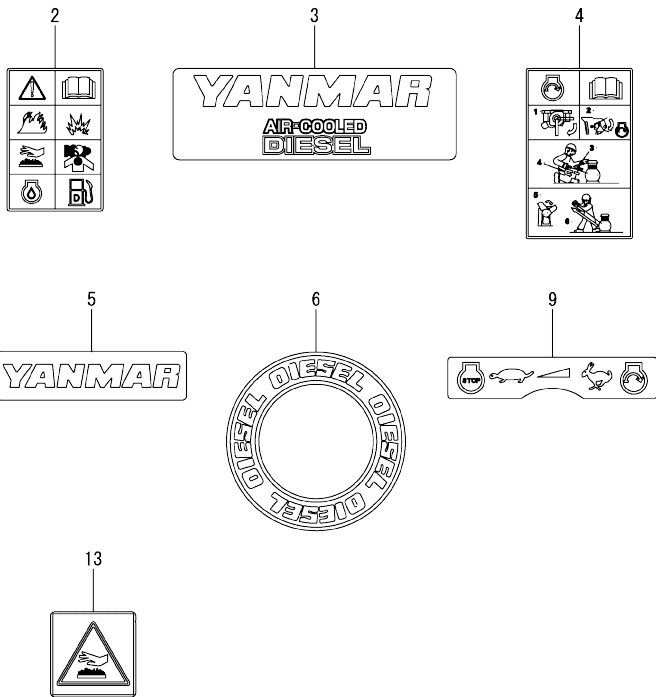


(A)=L48N5SF1F1AARS
(B)=
(C)=

(D)=
(E)=
(F)=

No.	Lev.	Parts No.	Description	Q'ty					
				(A)	(B)	(C)	(D)	(E)	(F)
1	1	114299-01690	PLUG M16	2					
2	1	114299-01760	CAP ASSY	2					
4	2	114299-01950	O-RING, 18	2					
5	1	22190-160002	WASHER, SEAL 16	2					
7	1	114399-01700	COVER, STARTER	1					
8	1	26106-100122	BOLT, M10X 12 PLATED	2					

Fig.3. LABEL



No.	Lev.	Parts No.	Description	Q'ty						I	R
				(A)	(B)	(C)	(D)	(E)	(F)		
2	1	114220-07100	LABEL, CAUTION	1							
3	1	114299-07101	LABEL, YANMAR MARK A	1							
4	1	114220-07110	LABEL HOW TO START-E	1							
5	1	114299-07111	LABEL, YANMAR MARK B	1							
6	1	114299-07160	LABEL, DIESEL	1							
9	1	114220-07140	LABEL, CONTROL	1							
13	1	114220-07130	LABEL, HOT SURFACE	1							

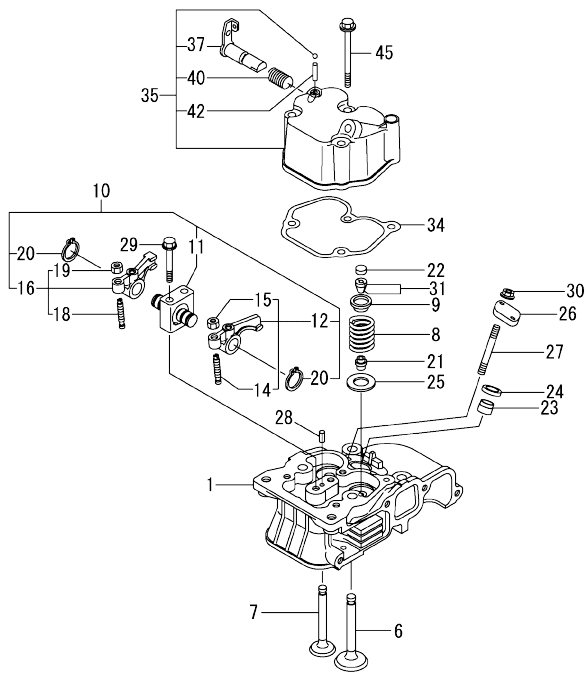
(A)=L48N5SF1F1AARS
(B)=
(C)=

(D)=
(E)=
(F)=

Fig.4. CYLINDER HEAD & BONNET

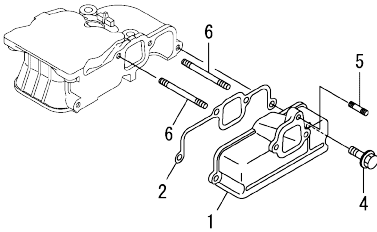
(A)=L48N5SF1F1AARS
(B)=
(C)=

(D)=
(E)=
(F)=



No.	Lev.	Parts No.	Description	Q'ty						I	R
				(A)	(B)	(C)	(D)	(E)	(F)		
1	1	11429C-11030	HEAD ASSY, CYLINDER	1							
6	1	11429C-11100	VALVE, INTAKE	1							
7	1	11429C-11110	VALVE, EXHAUST	1							
8	1	114299-11120	SPRING, VALVE	2							
9	1	114250-11180	RETAINER, SPRING	2							
10	1	11429C-11250	SUPPORT ASSY, ARM	1							
11	2	11429C-11260	SUPPORT, ROCKER ARM	1							
12	2	11429C-11650	ARM ASSY, ROCKER	1							
14	3	114250-11240	SCREW, VALVE ADJUST	1							
15	3	26856-060002	NUT, M6	1							
16	2	11429C-11660	ARM ASSY, ROCKER	1							
18	3	114250-11240	SCREW, VALVE ADJUST	1							
19	3	26856-060002	NUT, M6	1							
20	2	22242-000120	RING, 12	2							
21	1	114250-11341	SEAL, VALVE STEM	2							
22	1	119260-11370	CAP VALVE	2							
23	1	114240-11450	PROTECTOR, NOZZLE	1							
24	1	114240-11550	SEAT, NOZZLE	1							
25	1	114299-11600	WASHER, VALVE SPRING	2							
26	1	114299-11901	RETAINER, NOZZLE	1							
27	1	114110-11910	STUD, M6X65	2							
28	1	22351-040008	PIN, SPRING 4.0X 8	1							
29	1	26106-060452	BOLT, M6X 45 PLATED	2							
30	1	26366-060002	NUT, M6	2							
31	1	27310-055001	COTTER, 5.5	2							
34	1	114771-11310	GASKET, BONNET	1							
35	1	114295-11951	BONNET ASSY, HEAD	1							
37	2	114250-03591	LEVER ASSY	1							
40	2	114299-03640	SPRING, DECOMPRESSION	1							
42	2	22312-030160	PIN, PARALLEL M3X16	1							
45	1	26106-060552	BOLT, M6X 55 PLATED	3							

Fig.5. INTAKE MANIHOLD

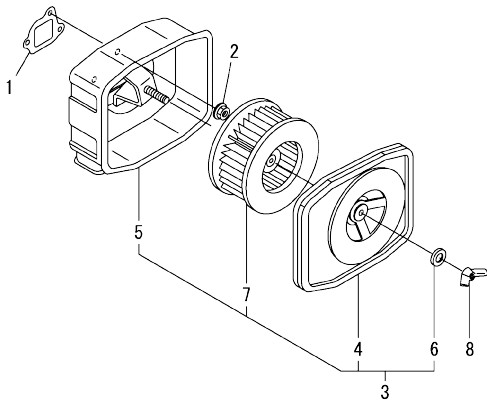


(A)=L48N5SF1F1AARS
(B)=
(C)=

(D)=
(E)=
(F)=

No.	Lev.	Parts No.	Description	Q'ty					
				(A)	(B)	(C)	(D)	(E)	(F)
1	1	114771-12010	PIPE, AIR INTAKE	1					
2	1	114771-12200	GASKET	1					
4	1	26106-060252	BOLT, M6X 25 PLATED	2					
5	1	26226-060142	STUD, M6X 14	1					
6	1	26226-060602	STUD, M6X 60	2					

Fig.6. AIR CLEANER

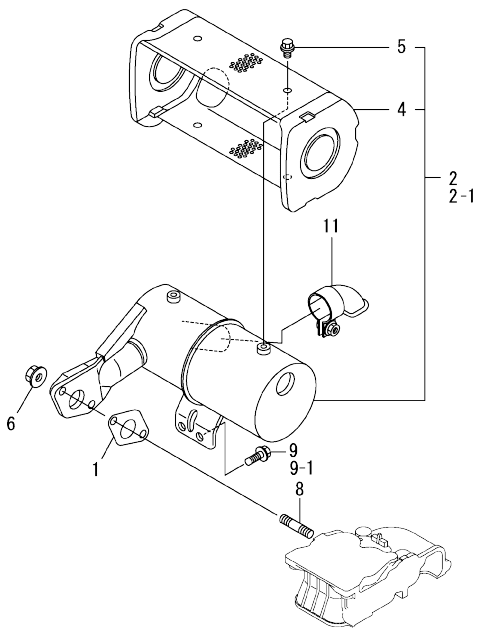


(A)=L48N5SF1F1AARS
(B)=
(C)=

(D)=
(E)=
(F)=

No.	Lev.	Parts No.	Description	Q'ty					
				(A)	(B)	(C)	(D)	(E)	(F)
1	1	114299-12210	GASKET, AIR CLEANER	1					
2	1	114299-12300	NUT	3					
3	1	114120-12550	CLEANER ASSY, AIR	1					
4	2	114250-12520	COVER, AIR CLEANER	1					
5	2	114250-12530	CASE ASSY, CLEANER	1					
6	2	114250-12560	WASHER, SEAL M6	1					
7	2	114250-12581	ELEMENT	1					
8	1	114250-12550	NUT, WING M6	1					

Fig.7. EXHAUST MUFFLER

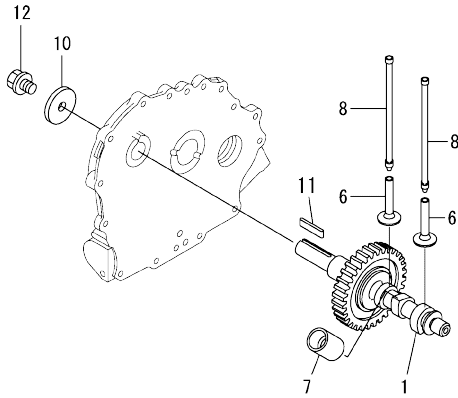


(A)=L48N5SF1F1AARS
(B)=
(C)=

(D)=
(E)=
(F)=

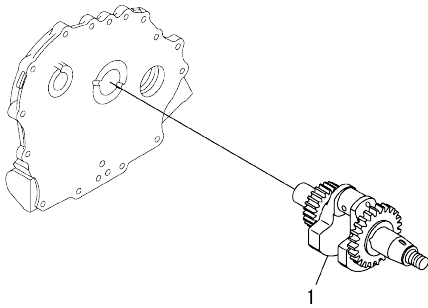
No.	Lev.	Parts No.	Description	Q'ty						I	R
				(A)	(B)	(C)	(D)	(E)	(F)		
1	1	114299-13200	GASKET, MUFFLER	1							
2	1	11429C-13500	MUFFLER ASSY, E-D	1							
2-1	1	11429C-13510	MUFFLER ASSY, E-D	1							S
		(A=ES92162)									
4	2	11429C-13700	COVER	1							
5	2	11431C-13720	BOLT, M6	4							
6	1	26306-080002	NUT, M8	2							
8	1	26216-080182	STUD, M8X 18	2							
9	1	26106-060142	BOLT, M6X 14 PLATED	2							
9-1	1	26106-080162	BOLT, M8X 16 PLATED	2							S
		(A=ES92162)									
11	1	114299-13800	EXTENSION ASSY	1							

Fig.8. CAMSHAFT



No.	Lev.	Parts No.	Description	Q'ty						I	R
				(A)	(B)	(C)	(D)	(E)	(F)		
1	1	11429C-14590	CAMSHAFT ASSY, RS	1							
1-1	1	11429C-14600 (A=ES90088)	CAMSHAFT ASSY,RS	1							N
6	1	114299-14200	TAPPET	2							
7	1	114771-14260	TAPPET	1							
8	1	114250-14451	ROD ASSY, PUSH	2							
8-1	1	114120-14400 (A=ES65722)	ROD ASSY, PUSH	2							R
10	1	160310-14550	WASHER, PULLEY	1							
11	1	22512-050300	KEY, 5X 30	1							
12	1	26106-080202	BOLT, M8X 20 PLATED	1							

0CW10-M79100 L48N5SF1F1AARS
 Fig.9. CRANKSHAFT



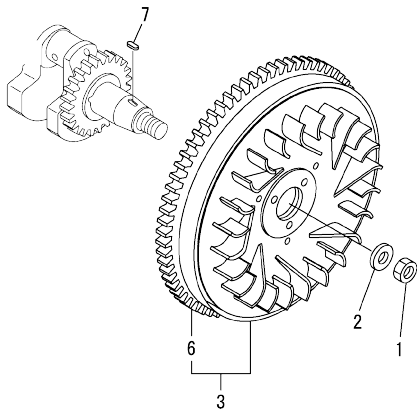
0CW10-M79100 Fig.9

(A)=L48N5SF1F1AARS
 (B)=
 (C)=

(D)=
 (E)=
 (F)=

No.	Lev.	Parts No.	Description	Q'ty						I	R
				(A)	(B)	(C)	(D)	(E)	(F)		
1	1	114771-21700	CRANKSHAFT ASSY,S	1							

Fig.10. FLYWHEEL

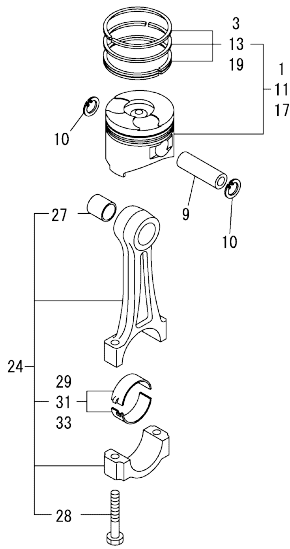


(A)=L48N5SF1F1AARS
(B)=
(C)=

(D)=
(E)=
(F)=

No.	Lev.	Parts No.	Description	Q'ty					
				(A)	(B)	(C)	(D)	(E)	(F)
1	1	114299-21220	NUT	1					
2	1	114299-21550	WASHER	1					
3	1	114299-21590	FLYWHEEL ASSY	1					
6	2	114299-21600	GEAR, RING	1					
7	1	22512-040120	KEY, 4X 12	1					

Fig.11. PISTON & CONNECTING ROD



(A)=L48N5SF1F1AARS
(B)=
(C)=

(D)=
(E)=
(F)=

No.	Lev.	Parts No.	Description	Q'ty						I	R
				(A)	(B)	(C)	(D)	(E)	(F)		
1	1	714120-22720	PISTON ASSY, D	1							
3	2	714295-22500	RING SET, PISTON	1							
9	1	114299-22300	PIN, PISTON D=19	1							
10	1	22252-000190	RING, 19	2							
11	1	714120-22630	PISTON ASSY, 0.25 OS	1							1
13	2	714295-22560	RING SET, PISTON .25	1							1
17	1	714120-22590	PISTON ASSY, 0.50 OS	1							2
19	2	714295-22570	RING SET, PISTON .50	1							2
24	1	71429C-23010	ROD ASSY, CONNECTING	1							
24-1	1	11412C-23700	ROD ASSY, CONNECTING	1							N
		(A=ES79273)									
27	3	114770-23100	BEARING, PISTON PIN	1							
27-1	3	114740-23100	BUSH, PISTON PIN	1							N
		(A=ES79273)									
28	3	114110-23200	BOLT, CONNECTING ROD	2							
29	2	714770-23600	METAL ASSY, CRANK PIN	1							
29-1	2	114740-23600	METAL, CRANK PIN	1							N
		(A=2019.10)									
31	1	714770-23610	METAL ASSY, PIN .25	1							3
31-1	1	114740-23610	METAL, CRANK PIN 0.25	1							N 1
		(A=2019.10)									
33	1	714770-23620	METAL ASSY, PIN .50	1							4
33-1	1	114740-23620	METAL, CRANK PIN 0.50	1							N 2
		(A=2019.10)									

Remarks

- (1)Over size(O.S.=0.25)parts.
- (2)Over size(O.S.=0.50)parts.
- (3)Under size(U.S.=0.25)parts.
- (4)Under size(U.S.=0.50)parts.

0CW10-M79100 L48N5SF1F1AARS

Fig.12. BALANCER SHAFT

0CW10-M79100 Fig.12

(A)=L48N5SF1F1AARS
(B)=
(C)=

(D)=
(E)=
(F)=

No.	Lev.	Parts No.	Description	Q'ty					
				(A)	(B)	(C)	(D)	(E)	(F)
1	1	714770-28531	SHAFT ASSY, BALANCER	1					
6	1	24101-062020	BEARING, BALL 6202C3	2					

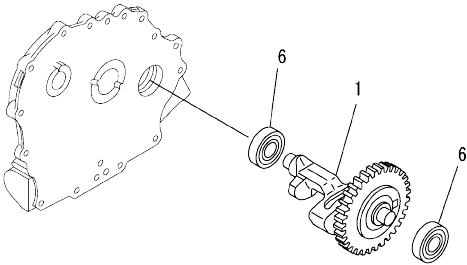
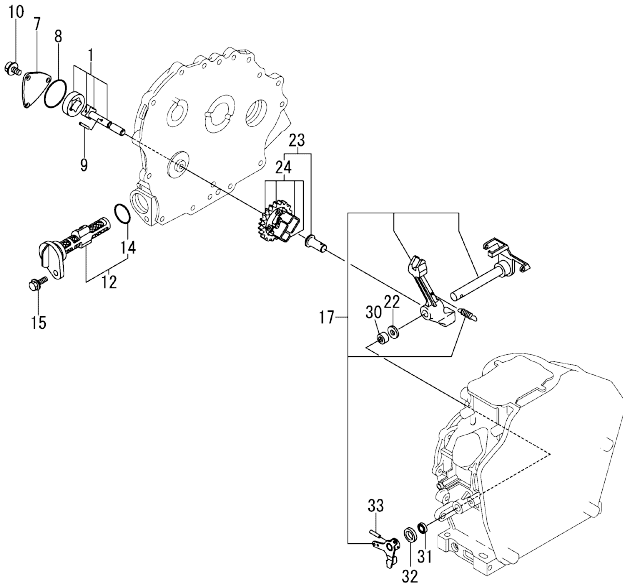


Fig.13. LUB.OIL PUMP & GOVERNOR



(A)=L48N5SF1F1AARS
(B)=
(C)=

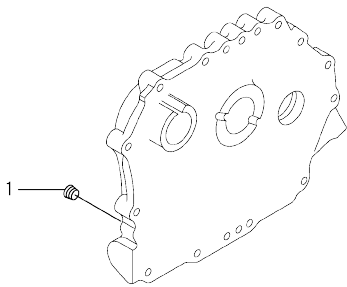
(D)=
(E)=
(F)=

No.	Lev.	Parts No.	Description	Q'ty						I	R
				(A)	(B)	(C)	(D)	(E)	(F)		
1	1	114250-32010	PUMP ASSY, OIL	1							
7	1	114299-32070	COVER	1							
8	1	114299-32570	O-RING	1							
9	1	22312-030160	PIN, PARALLEL M3X16	1							
10	1	26106-060122	BOLT, M6X 12 PLATED	3							
12	1	114299-35110	FILTER ASSY, OIL	1							
14	2	24341-000224	O-RING, 1AS22.4	1							
15	1	26106-060162	BOLT, M6X 16 PLATED	1							
17	1	114295-61170	LEVER ASSY, GOVERNOR	1							1
22	1	114299-61190	WASHER	1							
23	1	114299-61700	GOVERNOR ASSY	1							
24	2	114299-61210	WEIGHT ASSY, GOVERNOR	1							
30	1	114770-61520	BEARING, NEEDLE	2							
31	1	114299-61600	SEAL, OIL	1							
32	1	114770-61610	WASHER, THRUST	1							
33	1	22322-030200	PIN, TAPER 3X20	1							

Remarks
(1)On a guarantee of quality component parts shall not be sold.

0CW10-M79100 L48N5SF1F1AARS

Fig.14. OIL PRESSURE SWITCH CAP



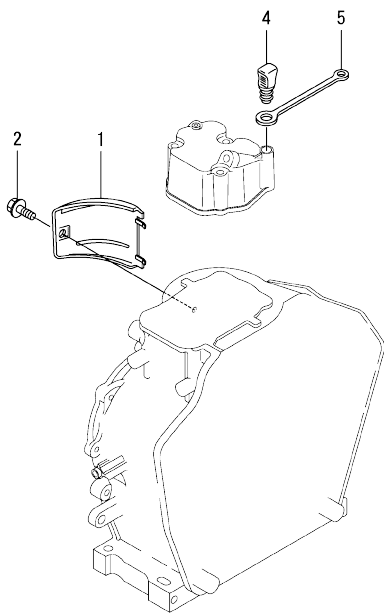
0CW10-M79100 Fig.14

(A)=L48N5SF1F1AARS
(B)=
(C)=

(D)=
(E)=
(F)=

No.	Lev.	Parts No.	Description	Q'ty						I	R
				(A)	(B)	(C)	(D)	(E)	(F)		
1	1	23876-010000	PLUG, R01	1							

Fig.15. COVER

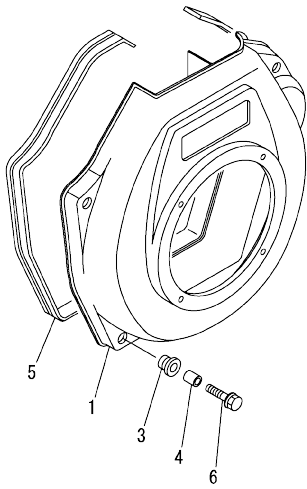


(A)=L48N5SF1F1AARS
(B)=
(C)=

(D)=
(E)=
(F)=

No.	Lev.	Parts No.	Description	Q'ty					
				(A)	(B)	(C)	(D)	(E)	(F)
1	1	114299-45210	COVER	1					
2	1	26106-060122	BOLT, M6X 12 PLATED	1					
4	1	114299-76600	PLUNGER	1					
5	1	114299-76610	HOLDER, PLUNGER	1					

Fig.16. COOLING FAN CASE

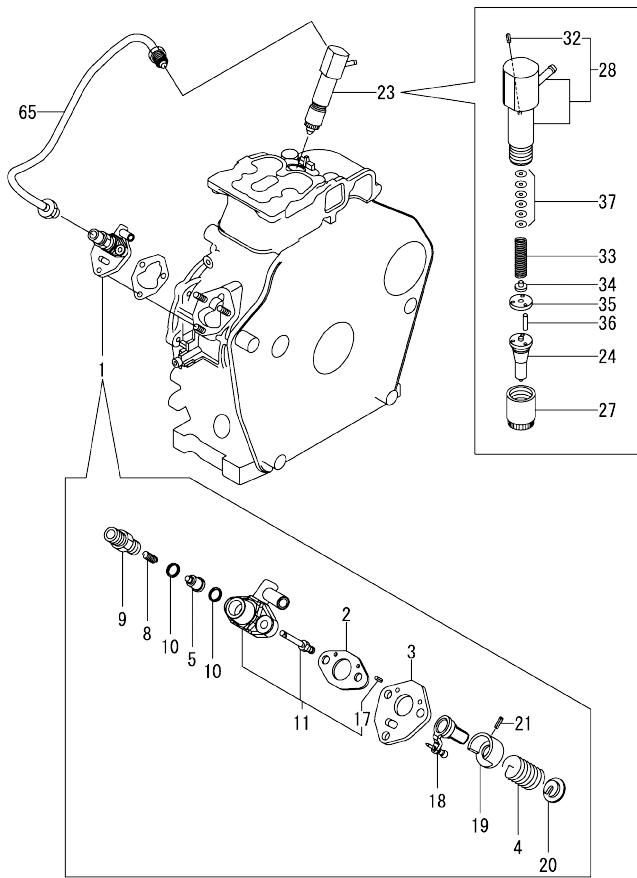


(A)=L48N5SF1F1AARS
(B)=
(C)=

(D)=
(E)=
(F)=

No.	Lev.	Parts No.	Description	Qty						I	R	
				(A)	(B)	(C)	(D)	(E)	(F)			
1	1	114295-45150	CASE, COOLING FAN	1								
3	1	114299-45301	RUBBER, CUSHION	4								
4	1	114299-45310	COLLAR	4								
5	1	114120-45330	SEAL, FAN CASE	1								
6	1	114299-45350	BOLT, FAN CASE	4								

Fig.17. F.I.PUMP & F.I.VALVE

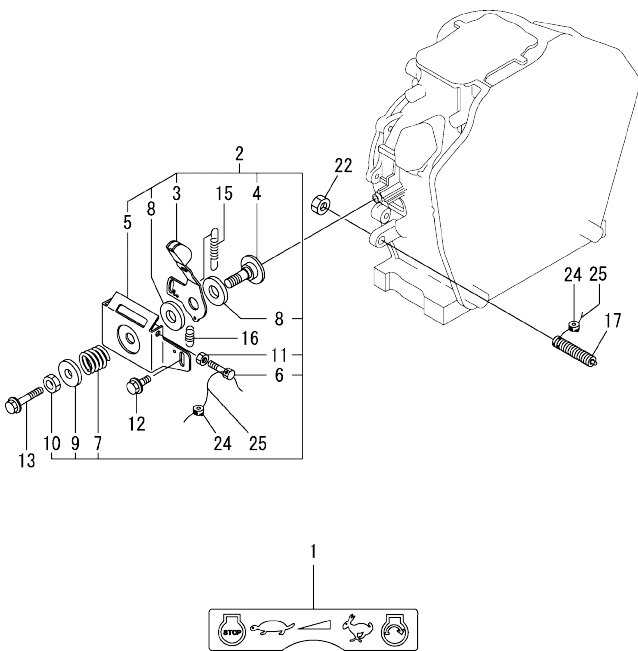


(A)=L48N5SF1F1AARS
(B)=
(C)=

(D)=
(E)=
(F)=

No.	Lev.	Parts No.	Description	Q'ty					
				(A)	(B)	(C)	(D)	(E)	(F)
1	1	714139-51210	F.I.PUMP ASSY	1					
2	2	105546-51020	GASKET	1					
3	2	114250-51080	PLATE	1					
4	2	114250-51160	SPRING, PLUNGER	1					
5	2	114250-51300	VALVE ASSY, DELIVERY	1					
8	2	105546-51330	SPRING, DELIVERY	1					
9	2	114250-51340	HOLDER, DELIVERY	1					
10	2	124550-51350	GASKET, DELIVERY	2					
11	2	114350-51200	BODY ASSY, PUMP	1					
17	4	22351-020006	PIN, SPRING 2.0X 6	2					
18	2	114250-51500	LEVER, CONTROL	1					
19	2	114250-51640	SEAT, SPRING A	1					
20	2	114250-51650	SEAT, SPRING B	1					
21	2	22351-030008	PIN, SPRING 3.0X 8	1					
23	1	714139-53200	VALVE ASSY, INJECTION	1					
24	2	114139-53200	NOZZLE ASSY	1					
27	2	114250-53080	NUT, NOZZLE D16.95	1					
28	2	114139-53100	HOLDER ASSY, NOZZLE	1					
32	3	22351-025005	PIN, SPRING 2.5X 6	1					
33	2	114250-53120	SPRING, NOZZLE	1					
34	2	114250-53130	SEAT, SPRING	1					
35	2	114250-53140	PLATE	1					
36	2	114250-53210	PIN	2					
37	2	119803-53400	SHIM SET	1					
65	1	114120-59800	PIPE ASSY, INJECTION	1					

Fig.19. SPEED CONTROL DEVICE

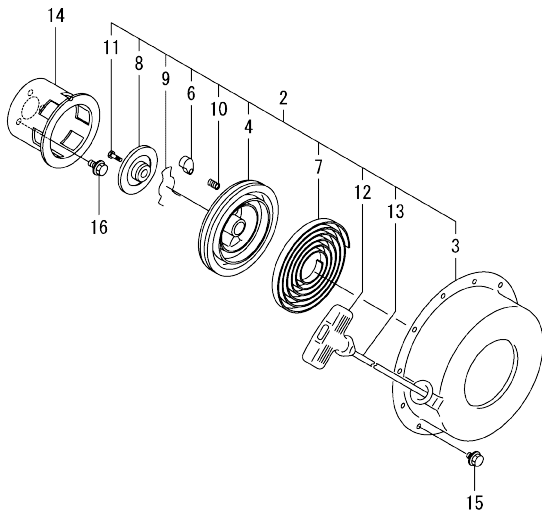


(A)=L48N5SF1F1AARS
(B)=
(C)=

(D)=
(E)=
(F)=

No.	Lev.	Parts No.	Description	Q'ty						I	R
				(A)	(B)	(C)	(D)	(E)	(F)		
1	1	114220-07140	LABEL, CONTROL	1							
2	1	114210-66550	BRACKET ASSY	1							
3	2	114210-66070	HANDLE, REGULATOR	1							
4	2	183250-66070	SHAFT, HANDLE	1							
5	2	114210-66400	BRACKET, HANDLE	1							
6	2	114250-66440	BOLT, ADJUSTING	1							
7	2	104200-66820	SPRING	1							
8	2	104200-66831	PLATE, FRICTION	2							
9	2	104200-66850	WASHER	1							
10	2	26696-100002	NUT, LOCK M10	1							
11	2	26757-060002	NUT, LOCK M6	1							
12	1	26106-060142	BOLT, M6X 14 PLATED	1							
13	1	26106-060452	BOLT, M6X 45 PLATED	1							
15	1	114770-66010	SPRING, REGULATOR	1							
16	1	114299-66201	SPRING, RETURN	1							
17	1	114211-66600	LIMITER ASSY, FUEL	1							
22	1	26776-100002	NUT, LOCK M10	1							
24	1	114780-61090	TIN	2							
25	1	22451-060000	WIRE, 0.6	2							

Fig.20. RECOIL STARTER



(A)=L48N5SF1F1AARS
(B)=
(C)=

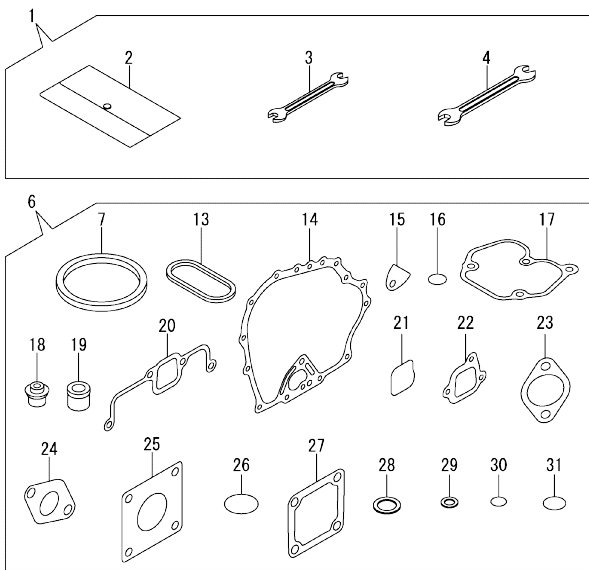
(D)=
(E)=
(F)=

No.	Lev.	Parts No.	Description	Q'ty					
				(A)	(B)	(C)	(D)	(E)	(F)
2	2	114299-76250	STARTER ASSY, RECOIL	1					
3	3	114299-76500	CASE, STARTER	1					
4	3	114299-76521	REEL	1					
6	3	114399-76531	RATCHET	1					
7	3	114399-76540	SPRING, SPIRAL	1					
8	3	114399-76550	COVER	1					
9	3	114399-76560	SPRING	1					
10	3	114399-76570	SPRING, RETURN	1					
11	3	114399-76580	SCREW	1					
12	3	114399-76620	KNOB, STARTER	1					
13	3	114299-76630	ROPE, STARTER	1					
14	2	114299-76590	PULLEY, STARTER	1					
15	1	26106-060082	BOLT, M6X 8 PLATED	4					
16	1	26106-060122	BOLT, M6X 12 PLATED	3					

Fig.21. TOOL & GASKET SET

(A)=L48N5SF1F1AARS
(B)=
(C)=

(D)=
(E)=
(F)=



No.	Lev.	Parts No.	Description	Q'ty						I	R
				(A)	(B)	(C)	(D)	(E)	(F)		
1	1	114299-92590	BOX, TOOL	1							
2	2	114299-92600	BAG, TOOL	1							
3	2	114299-92710	WRENCH	1							
4	2	114299-92720	WRENCH	1							
6	1	114120-92600	GASKET SET	1							1
7	2	114295-01330	GASKET, HEAD	1							
13	2	114299-01380	O-RING	1							
14	2	114299-01410	GASKET, CRANK CASE	1							
15	2	114250-01841	GASKET	1							
16	2	114299-01950	O-RING, 18	2							
17	2	114771-11310	GASKET, BONNET	1							
18	2	114250-11341	SEAL, VALVE STEM	2							
19	2	114771-11461	GASKET, NOZZLE	1							
20	2	114771-12200	GASKET	1							
21	2	114288-12210	O-RING	1							
22	2	114299-12210	GASKET, AIR CLEANER	2							
23	2	114299-12920	GASKET, AIR CLEANER	1							
24	2	114299-13200	GASKET, MUFFLER	1							
25	2	114299-21980	GASKET	1							
26	2	114299-32570	O-RING	1							
27	2	129100-77510	GASKET	3							
28	2	22190-160002	WASHER, SEAL 16	2							
29	2	23414-080000	GASKET, 8X1.0	1							
30	2	24341-000150	O-RING, 1AS15.0	1							
31	2	24341-000224	O-RING, 1AS22.4	1							

Remarks

(1)Optional parts.

Parts No. Index

Parts No.	Fig. No.	Ref. No.	Parts No.	Fig. No.	Ref. No.	Parts No.	Fig. No.	Ref. No.	Parts No.	Fig. No.	Ref. No.
104200-66820	19	7	114250-51300	17	5	114299-13200	7	1	11429C-13700	7	4
104200-66831	19	8	114250-51340	17	9		21	24	11429C-14590	8	1
104200-66850	19	9	114250-51500	17	18	114299-13800	7	11	11429C-14600	8	1 -1
105546-51020	17	2	114250-51640	17	19	114299-14200	8	6	11429C-55710	18	7
105546-51330	17	8	114250-51650	17	20	114299-21220	10	1	11431C-13720	7	5
114110-11910	4	27	114250-53080	17	27	114299-21550	10	2	114350-51200	17	11
114110-23200	11	28	114250-53120	17	33	114299-21590	10	3	114399-01700	2	7
114120-12550	6	3	114250-53130	17	34	114299-21600	10	6	114399-76531	20	6
114120-14400	8	8 -1	114250-53140	17	35	114299-21980	21	25	114399-76540	20	7
114120-45330	16	5	114250-53210	17	36	114299-22300	11	9	114399-76550	20	8
114120-59300	18	23	114250-55121	18	1	114299-32070	13	7	114399-76560	20	9
114120-59301	18	23 -1	114250-55130	18	2	114299-32570	13	8	114399-76570	20	10
114120-59800	17	65	114250-55201	18	13		21	26	114399-76580	20	11
114120-92600	21	6	114250-55301	18	5	114299-35110	13	12	114399-76620	20	12
11412C-23700	11	24 -1	114250-66440	19	6	114299-35150	1	37	114650-59060	18	25
114139-53100	17	28	114288-12210	21	21	114299-45210	15	1	114650-59061	18	25 -1
114139-53200	17	24	114295-01330	21	7	114299-45301	16	3	114740-23100	11	27 -1
114210-55810	18	14	114295-01340	1	10	114299-45310	16	4	114740-23600	11	29 -1
114210-66070	19	3	114295-11951	4	35	114299-45350	16	6	114740-23610	11	31 -1
114210-66400	19	5	114295-45150	16	1	114299-55040	18	11	114740-23620	11	33 -1
114210-66550	19	2	114295-61170	13	17	114299-55080	18	9	114770-23100	11	27
114211-66600	19	17	114299-01200	1	5	114299-55100	18	12	114770-61520	13	30
114220-07100	3	2	114299-01210	1	6	114299-55210	18	3	114770-61610	13	32
114220-07110	3	4	114299-01220	1	7	114299-55230	18	4	114770-66010	19	15
114220-07130	3	13	114299-01230	1	8	114299-61190	13	22	114771-11310	4	34
114220-07140	3	9	114299-01380	1	11	114299-61210	13	24		21	17
	19	1		21	13	114299-61600	13	31	114771-11461	21	19
114240-11450	4	23	114299-01410	1	31	114299-61700	13	23	114771-12010	5	1
114240-11550	4	24		21	14	114299-66201	19	16	114771-12200	5	2
114250-01841	1	25	114299-01470	1	32	114299-76250	20	2		21	20
	21	15	114299-01600	1	12	114299-76500	20	3	114771-14260	8	7
114250-02100	1	35	114299-01690	2	1	114299-76521	20	4	114771-21700	9	1
114250-02113	1	44	114299-01760	2	2	114299-76590	20	14	114780-59010	18	20
114250-02200	1	40	114299-01800	1	13	114299-76600	15	4	114780-59060	18	21
114250-02210	1	41	114299-01830	1	24	114299-76610	15	5	114780-61090	19	24
114250-03591	4	37	114299-01950	2	4	114299-76630	20	13	119260-11370	4	22
114250-11180	4	9		21	16	114299-92590	21	1	119803-53400	17	37
114250-11240	4	14	114299-02030	1	43	114299-92600	21	2	124066-59100	18	26
	4	18	114299-02220	1	45	114299-92710	21	3	124550-51350	17	10
114250-11341	4	21	114299-03640	4	40	114299-92720	21	4	124722-59050	18	24
	21	18	114299-07101	3	3	11429C-01020	1	1	124950-01250	1	9
114250-12520	6	4	114299-07111	3	5	11429C-11030	4	1	129100-77510	21	27
114250-12530	6	5	114299-07160	3	6	11429C-11100	4	6	160210-02220	1	46
114250-12550	6	8	114299-11120	4	8	11429C-11110	4	7	160310-14550	8	10
114250-12560	6	6	114299-11600	4	25	11429C-11250	4	10	183250-66070	19	4
114250-12581	6	7	114299-11901	4	26	11429C-11260	4	11	22117-080000	18	15
114250-14451	8	8	114299-12210	6	1	11429C-11650	4	12	22190-160002	2	5
114250-32010	13	1		21	22	11429C-11660	4	16		21	28
114250-51080	17	3	114299-12300	6	2	11429C-13500	7	2	22242-000120	4	20
114250-51160	17	4	114299-12920	21	23	11429C-13510	7	2 -1	22252-000190	11	10

Parts No. Index

Parts No.	Fig. No.	Ref. No.
22312-030160	4	42
	13	9
22312-040080	1	26
22322-030200	13	33
22351-020006	17	17
22351-025005	17	32
22351-030008	17	21
22351-040008	4	28
22451-060000	19	25
22512-040120	10	7
22512-050300	8	11
23080-014000	18	22
23414-080000	18	10
	21	29
23876-010000	14	1
24101-062020	12	6
24101-062050	1	47
24162-152112	1	48
24341-000150	18	6
	21	30
24341-000224	13	14
	21	31
26106-060082	20	15
26106-060122	13	10
	15	2
	20	16
26106-060142	7	9
	19	12
26106-060162	13	15
	18	16
26106-060252	1	38
	5	4
26106-060452	4	29
	19	13
26106-060552	4	45
26106-080122	1	49
26106-080162	7	9 -1
26106-080202	8	12
26106-080352	1	39
26106-080452	18	17
26106-100122	2	8
26216-080182	7	8
26226-060142	5	5
26226-060182	1	27
26226-060222	1	28
26226-060602	5	6
26306-080002	7	6
26366-060002	1	29
	4	30
	18	18

Parts No.	Fig. No.	Ref. No.
26696-100002	19	10
26757-060002	19	11
26776-100002	19	22
26856-060002	4	15
		19
27310-055001	4	31
714120-22590	11	17
714120-22630	11	11
714120-22720	11	1
714139-51210	17	1
714139-53200	17	23
714295-22500	11	3
714295-22560	11	13
714295-22570	11	19
71429C-23010	11	24
714770-23600	11	29
714770-23610	11	31
714770-23620	11	33
714770-28531	12	1

Parts No.	Fig. No.	Ref. No.
-----------	----------	----------

Parts No.	Fig. No.	Ref. No.
-----------	----------	----------