

OCR10-M66100EN

Introduction

1. This parts catalog is a first edition of the L48N5EA1C1AA, L48N6CA1T1AA, L48N6DA1F1AA, L48N6AF3R4AACD, L48N6FF1P1AA Diesel engine.

| | Parts catalog No. | Date of issue | Remarks |
|---------------|-------------------|---------------|---------|
| First edition | 000Y00R6610 | July, 2006 | |

2. This parts catalog does not contain the technical data needed for maintenance service.

3. The illustrations used in this parts catalog have been simplified for clarity.

4. The essential points list.

| Model | Column |
|----------------|--------|
| L48N5EA1C1AA | A |
| L48N6CA1T1AA | B |
| L48N6DA1F1AA | C |
| L48N6AF3R4AACD | D |
| L48N6FF1P1AA | E |

5. The contents of this parts catalog are subject to change without notice.

6. Be sure to use only Yanmar genuine parts for repairs. If imitation parts are used, it may cause engine defects.

Directions for the Parts Catalog.

1. The parts stipulated in this Parts Catalog are not necessarily standard equipped parts.
2. Parts may change without prior notice.
3. The following is an example of the Parts Catalog format.

| REF. | LEV. | PARTS NO. | DESCRIPTION | Q'TY | | | | | | I | R |
|------|------|--|---------------------|------|-----|-----|-----|-----|-----|---|---|
| | | | | (A) | (B) | (C) | (D) | (E) | (F) | | |
| 1 | 1 | 729595-51390 | FUEL INJECTION PUMP | 1 | 1 | 1 | 1 | 1 | | | 1 |
| 1-1 | 1 | 729595-51391 | FUEL INJECTION PUMP | 1 | 1 | 1 | 1 | 1 | | N | 1 |
| | | (A=E00185) (B=E00200) | | | | | | | | | |
| 3 | 2 | 26022-060162 | SCREW M 6X 16 | 9 | 9 | 9 | 9 | 9 | | | |
| 3-1 | 2 | 26022-060162 | SCREW M 6X 16 | 4 | 4 | 4 | 4 | 4 | | K | |
| | | (A=E00156) (B=E00156) (C=E00156) (D=E00156) (E=E00156) | | | | | | | | | |
| 4 | 2 | 129470-51040 | CAMSHAFT | 1 | 1 | 1 | 1 | 1 | | | |
| 5 | 2 | 122710-51050 | BEARING, ROLLER | 2 | 2 | 2 | 2 | 2 | | | |
| 6 | 2 | 129470-51060 | RETAINER | 1 | 1 | 1 | 1 | 1 | | | |

| |
|---|
| Remarks |
| (1) BOOST COMPEMSATOR TYPE. OPTIONAL PART, TO E00155,(4JH-DT, 4JH-DTZ |

① Ref. No.

The Ref. No. listed may not be in accordance with the illustration Ref. No.

(Ex.) Illustration No.

List Ref No.

1 1 (Before change) → 1-1 (After change)

For interchangeable symbols N, R and K, illustrations for new parts may be abbreviated.

② Lev. (Level)

Level indication

The numbers below indicate the level of relativity towards the main part.

1 ---- Main parts (Assembly parts)

2 ---- Sub component included in " 1 ".

3 ---- Sub component included in " 2 ".

Note) Parts that are not for sale are partially illustrated but not listed.

③ Interchangeability Mark

When a part change takes place, one of the following interchangeability symbols is indicated beside the part.

| Symbol | Interchangeability | Contents note |
|--------|---|--|
| N | Old $\begin{matrix} \leftarrow \text{Yes} \\ \text{No} \rightarrow \end{matrix}$ New | New Part is interchangeable for Old Part but Old Part is not interchangeable for New Part. |
| Q | Old $\begin{matrix} \leftarrow \text{No} \\ \text{Yes} \rightarrow \end{matrix}$ New | New Part is not interchangeable for Old Part but Old Part is interchangeable for New Part. |
| R | Old $\begin{matrix} \leftarrow \text{Yes} \\ \text{Yes} \rightarrow \end{matrix}$ New | New/ Old Parts are both interchangeable. |
| S | Old $\begin{matrix} \leftarrow \text{No} \\ \text{No} \rightarrow \end{matrix}$ New | New/ Old Parts are both not interchangeable. |
| W | | Part newly added. |
| Z | | Part discontinued. |
| F | | Not interchangeable by a single part but interchangeable together with related parts. |
| K | | Changes only for used parts quantities. |

④ Effective Machine No.

When a part changes, the effective Machine No. will be indicated in the (A)-(F) column.

| Product Symbol | Product No. | Product Symbol | Product No. |
|----------------|---------------------------|----------------|-----------------------------------|
| C | Clutch No. Compressor No. | F | Machine No. (Agricultural Equip.) |
| D | Drive No. | M | Machine No. |
| E | Engine No. | | |

Note 1) A date may follow the symbol. (Ex.) 1996.01

Note 2) " XXXXX " and " ZZZZZ " are for parts that could not be predicted or for engine models that could not be identified.

Note 3) (A=E00185) is the E (Engine Serial Number) for the column (A) model (in this case 4JH-DT) after the parts design change.

⑤ Remarks Mark

Figures or alphabets (symbols) are entered in the remarks column.

The comments (remarks) on parts that are indicated at the bottom of the illustration are the same symbols as those stated above.

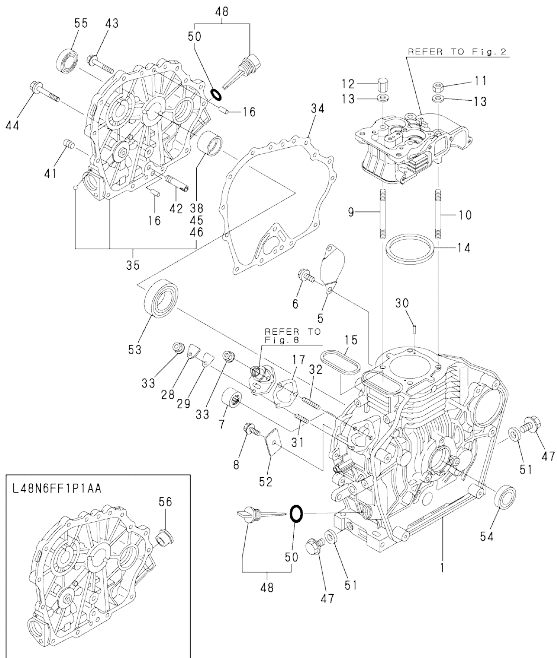
Contents

OCR10-M66100

| Fig. No. | Fig. Name | Fig. No. | Fig. Name |
|--------------------|------------------------------|----------|-----------|
| L48N SERIES | | | |
| 1. | CYLINDER BLOCK | | |
| 2. | CYLINDER HEAD & BONNET | | |
| 3. | AIR CLEANER & MUFFLER | | |
| 4. | CRANKSHAFT,PISTON & CAMSHAFT | | |
| 5. | LUB.OIL PUMP & GOVERNOR(1) | | |
| 6. | LUB.OIL PUMP & GOVERNOR(2) | | |
| 7. | COOLING & STARTING DEVICE | | |
| 8. | F.I.PUMP & F.I.VALVE | | |
| 12. | 8A F.I.PUMP & F.I.VALVE | | |
| 9. | FUEL TANK & FUEL PIPE | | |
| 10. | STARTING MOTOR & DYNAMO | | |
| 11. | TOOL,LABEL & GASKET SET | | |

Fig.1. CYLINDER BLOCK

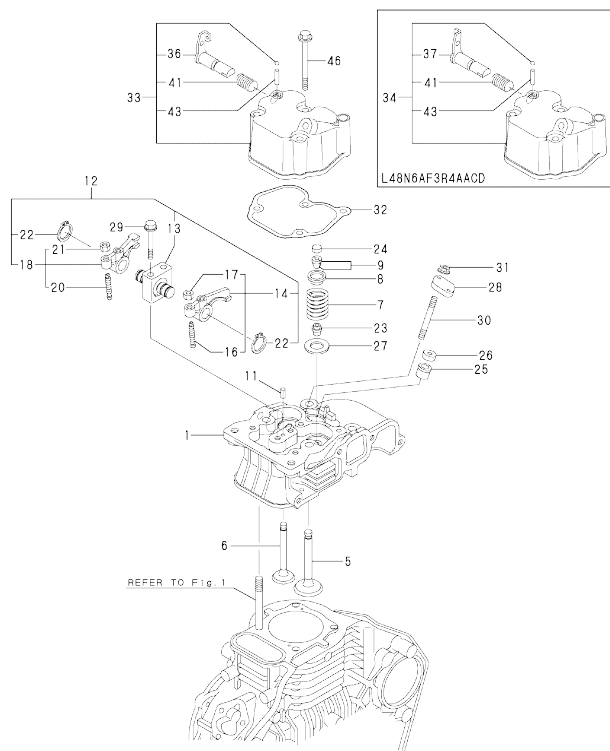
(A)=L48N5EA1C1AA
 (B)=L48N6CA1T1AA
 (C)=L48N6DA1F1AA
 (D)=L48N6AF3R4AA
 (E)=L48N6FF1P1AA
 (F)=



| No. | Lev. | Parts No. | Description | Qty | | | | | | I | R |
|------|------|--------------|----------------------|--------------|--------------|--------------|-----|--------------|-----|-----|---|
| | | | | (A) | (B) | (C) | (D) | (E) | (F) | | |
| 1 | 1 | 114110-01020 | BLOCK ASSY, CYLINDER | 1 | 1 | 1 | 1 | 1 | | | |
| 5 | 1 | 114399-01700 | COVER, STARTER | | | | | 1 | 1 | | |
| 6 | 1 | 26106-100122 | BOLT, M10X 12 PLATED | | | | | 2 | 2 | | |
| 7 | 1 | 24162-152112 | BEARING, 152112 | 1 | 1 | 1 | 1 | 1 | 1 | | |
| 8 | 1 | 26106-080122 | BOLT, M8X 12 PLATED | 1 | 1 | 1 | 1 | 1 | 1 | | |
| 9 | 1 | 114299-01200 | BOLT, HEAD A | 2 | 2 | 2 | 2 | 2 | 2 | | |
| 10 | 1 | 114299-01210 | BOLT, HEAD B | 2 | 2 | 2 | 2 | 2 | 2 | | |
| 11 | 1 | 114299-01220 | NUT, CYLINDER HEAD A | 2 | 2 | 2 | 2 | 2 | 2 | | |
| 12 | 1 | 114299-01230 | NUT, CYLINDER HEAD B | 2 | 2 | 2 | 2 | 2 | 2 | | |
| 13 | 1 | 124950-01250 | WASHER, HEAD BOLT | 4 | 4 | 4 | 4 | 4 | 4 | | |
| 14 | 1 | 114295-01340 | GASKET, HEAD T=0.5 | 1 | 1 | 1 | 1 | 1 | 1 | | |
| 15 | 1 | 114299-01380 | O-RING | 1 | 1 | 1 | 1 | 1 | 1 | | |
| 16 | 1 | 114299-01600 | PIN, PARALLEL 8X12 | 2 | 2 | 2 | 2 | 2 | 2 | | |
| 17 | 1 | 114299-01800 | SHIM SET, PUMP | 1 | 1 | 1 | 1 | 1 | 1 | | |
| 28 | 1 | 114299-01830 | COVER, PUMP | 1 | 1 | 1 | 1 | 1 | 1 | | |
| 29 | 1 | 114250-01841 | GASKET, COVER | 1 | 1 | 1 | 1 | 1 | 1 | | |
| 30 | 1 | 22312-040080 | PIN, PARALLEL M4X 8 | 2 | 2 | 2 | 2 | 2 | 2 | | |
| 31 | 1 | 26226-060182 | STUD, M6X 18 | 1 | 1 | 1 | 1 | 1 | 1 | | |
| 32 | 1 | 26226-060222 | STUD, M6X 22 | 2 | 2 | 2 | 2 | 2 | 2 | | |
| 33 | 1 | 26366-060002 | NUT, M6 | 3 | 3 | 3 | 3 | 3 | 3 | | |
| 34 | 1 | 114299-01410 | GASKET, CRANK CASE | 1 | 1 | 1 | 1 | 1 | 1 | | |
| 35 | 1 | 114299-01450 | COVER, CRANK CASE D | 1 | 1 | 1 | 1 | 1 | 1 | | |
| 35-1 | 1 | 114111-01450 | COVER, CRANK CASE D | 1 | 1 | 1 | 1 | 1 | 1 | N | |
| | | (A=*2019.02) | (B=*2019.02) | (C=*2019.02) | (D=*2019.02) | (E=*2019.02) | | | | | |
| 38 | 2 | 114250-02100 | METAL, MAIN | 1 | 1 | 1 | 1 | 1 | 1 | 1 | |
| 38-1 | 2 | 114740-02110 | BEARING, MAIN | 1 | 1 | 1 | 1 | 1 | 1 | N 1 | |
| | | (A=*2019.07) | (B=*2019.07) | (C=*2019.07) | (D=*2019.07) | (E=*2019.07) | | | | | |
| 41 | 1 | 23876-010000 | PLUG, R01 | 1 | 1 | 1 | 1 | 1 | 1 | | |
| 42 | 1 | 114299-35150 | PIPE, OIL INLET | 1 | 1 | 1 | 1 | 1 | 1 | | |
| 43 | 1 | 26106-060252 | BOLT, M6X 25 PLATED | 14 | 14 | 14 | 14 | 14 | 14 | | |
| 44 | 1 | 26106-080352 | BOLT, M8X 35 PLATED | 1 | 1 | 1 | 1 | 1 | 1 | | |
| 45 | 1 | 114250-02200 | METAL, MAIN 0.25 US | 1 | 1 | 1 | 1 | 1 | 1 | 2 | |
| 45-1 | 1 | 114740-02200 | BEARING, MAIN 0.25OS | 1 | 1 | 1 | 1 | 1 | 1 | N 4 | |
| | | (A=*2019.07) | (B=*2019.07) | (C=*2019.07) | (D=*2019.07) | (E=*2019.07) | | | | | |
| 46 | 1 | 114250-02210 | METAL, MAIN 0.50 US | 1 | 1 | 1 | 1 | 1 | 1 | 3 | |
| 46-1 | 1 | 114740-02210 | BEARING, MAIN 0.50OS | 1 | 1 | 1 | 1 | 1 | 1 | N 5 | |
| | | (A=*2019.07) | (B=*2019.07) | (C=*2019.07) | (D=*2019.07) | (E=*2019.07) | | | | | |
| 47 | 1 | 114299-01690 | PLUG, DRAIN 16 | 2 | 2 | 2 | 2 | 2 | 2 | | |
| 48 | 1 | 114299-01760 | CAP ASSY, OIL SUPPLY | 2 | 2 | 2 | 2 | 2 | 1 | | |
| 50 | 2 | 114299-01950 | O-RING, 18 | 2 | 2 | 2 | 2 | 2 | 1 | | |
| 51 | 1 | 22190-160002 | WASHER, SEAL 16 | 2 | 2 | 2 | 2 | 2 | 2 | | |
| 52 | 1 | 114299-02030 | RETAINER, BEARING | 1 | 1 | 1 | 1 | 1 | 1 | | |
| 53 | 1 | 114250-02113 | BEARING, HR6306G3C3 | 1 | 1 | 1 | 1 | 1 | 1 | | |
| 54 | 1 | 114299-02220 | SEAL, OIL | 1 | 1 | 1 | 1 | 1 | 1 | | |
| 55 | 1 | 160210-02220 | SEAL, OIL 25X41.2X8 | 1 | 1 | 1 | 1 | 1 | 1 | | |
| 56 | 1 | 160110-01870 | PLUG, RUBBER 22 | | | | | | | 1 | |
| 56-1 | 1 | 114940-01870 | PLUG, RUBBER 22 | | | | | | | 1 N | |
| | | | | | | | | (E=*2019.02) | | | |

Remarks
 (1)REPAIR PART.
 (2)UNDER SIZED(U.S.=0.25)PART.
 (3)UNDER SIZED(U.S.=0.50)PART.
 (4)Over-sized(O.S.=0.25) parts.
 (5)Over-sized(O.S.=0.50) parts.

Fig.2. CYLINDER HEAD & BONNET



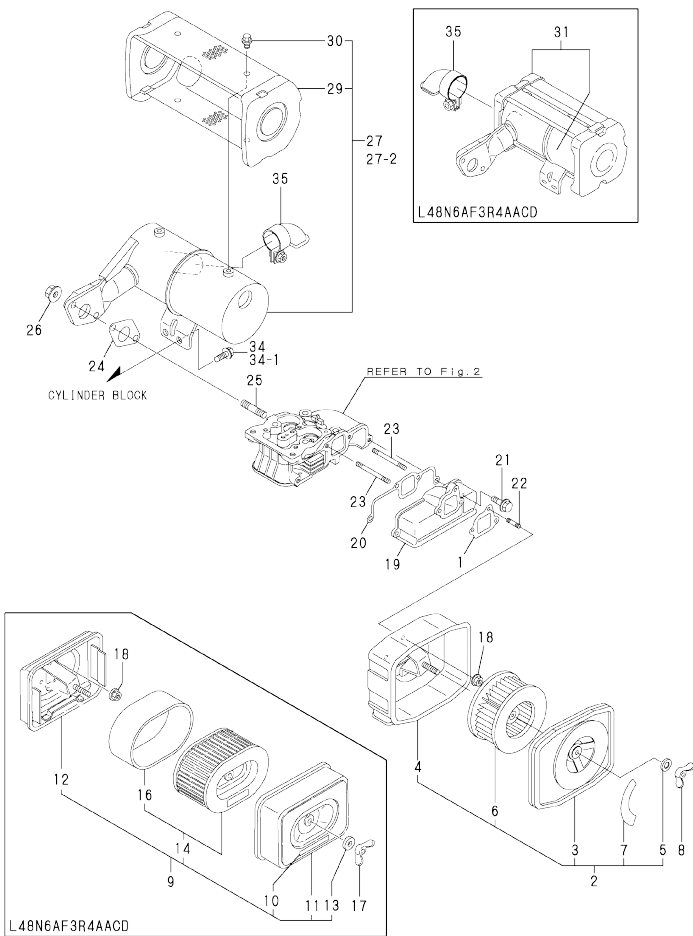
(A)=L48N5EA1C1AA (D)=L48N6AF3R4AA
 (B)=L48N6CA1T1AA (E)=L48N6FF1P1AA
 (C)=L48N6DA1F1AA (F)=

| No. | Lev. | Parts No. | Description | Qty | | | | | | I | R |
|------|------|--|-----------------------|-----|-----|-----|-----|-----|-----|---|-----|
| | | | | (A) | (B) | (C) | (D) | (E) | (F) | | |
| 1 | 1 | 114120-11020 | HEAD ASSY, CYLINDER | 1 | 1 | 1 | 1 | 1 | 1 | | |
| 5 | 1 | 114295-11100 | VALVE, SUCTION | 1 | 1 | 1 | 1 | 1 | 1 | | |
| 6 | 1 | 114295-11110 | VALVE, EXHAUST | 1 | 1 | 1 | 1 | 1 | 1 | | |
| 7 | 1 | 114299-11120 | SPRING, VALVE | 2 | 2 | 2 | 2 | 2 | 2 | | |
| 8 | 1 | 114250-11180 | RETAINER, SPRING | 2 | 2 | 2 | 2 | 2 | 2 | | |
| 9 | 1 | 27310-055001 | COTTER, 5.5 | 2 | 2 | 2 | 2 | 2 | 2 | | |
| 11 | 1 | 22351-040008 | PIN, SPRING 4.0X 8 | 1 | 1 | 1 | 1 | 1 | 1 | | |
| 12 | 1 | 114771-11250 | SUPPORT ASSY, ARM | 1 | 1 | 1 | 1 | 1 | 1 | | |
| 13 | 2 | 114771-11260 | SUPPORT, ROCKER ARM | 1 | 1 | 1 | 1 | 1 | 1 | | |
| 14 | 2 | 114771-11650 | ARM, ROCKER | 1 | 1 | 1 | 1 | 1 | 1 | | |
| 16 | 3 | 114250-11240 | SCREW, VALVE ADJUST | 1 | 1 | 1 | 1 | 1 | 1 | | |
| 17 | 3 | 26856-060002 | NUT, M6 | 1 | 1 | 1 | 1 | 1 | 1 | | |
| 18 | 2 | 114771-11660 | ARM, ROCKER | 1 | 1 | 1 | 1 | 1 | 1 | | |
| 20 | 3 | 114250-11240 | SCREW, VALVE ADJUST | 1 | 1 | 1 | 1 | 1 | 1 | | |
| 21 | 3 | 26856-060002 | NUT, M6 | 1 | 1 | 1 | 1 | 1 | 1 | | |
| 22 | 2 | 2242-000120 | RING, 12 | 2 | 2 | 2 | 2 | 2 | 2 | | |
| 23 | 1 | 114250-11340 | SEAL, VALVE STEM | 2 | 2 | 2 | 2 | 2 | 2 | | |
| 24 | 1 | 119260-11370 | CAP, VALVE | 2 | 2 | 2 | 2 | 2 | 2 | | |
| 25 | 1 | 114771-11461 | GASKET, NOZZLE | 1 | 1 | 1 | 1 | 1 | 1 | | S |
| | | (A=EZZZZZ) (B=EZZZZZ) (C=EZZZZZ) (D=EZZZZZ) (E=EZZZZZ) | | | | | | | | | |
| 25-1 | 1 | 114240-11450 | PROTECTOR, NOZZLE | 1 | 1 | 1 | 1 | 1 | 1 | | W 1 |
| | | (A=EZZZZZ) (B=EZZZZZ) (C=EZZZZZ) (D=EZZZZZ) (E=EZZZZZ) | | | | | | | | | |
| 26 | 1 | 114295-11470 | SPACER, NOZZLE | 1 | 1 | 1 | 1 | 1 | 1 | | S |
| | | (A=EZZZZZ) (B=EZZZZZ) (C=EZZZZZ) (D=EZZZZZ) (E=EZZZZZ) | | | | | | | | | |
| 26-1 | 1 | 114240-11550 | SEAT, NOZZLE | 1 | 1 | 1 | 1 | 1 | 1 | | W 1 |
| | | (A=EZZZZZ) (B=EZZZZZ) (C=EZZZZZ) (D=EZZZZZ) (E=EZZZZZ) | | | | | | | | | |
| 27 | 1 | 114299-11600 | WASHER, VALVE SPRING | 2 | 2 | 2 | 2 | 2 | 2 | | |
| 28 | 1 | 114299-11901 | RETAINER, NOZZLE | 1 | 1 | 1 | 1 | 1 | 1 | | |
| 29 | 1 | 26106-060452 | BOLT, M6X 45 PLATED | 2 | 2 | 2 | 2 | 2 | 2 | | |
| 30 | 1 | 114718-11910 | STUD, M6X65 | 2 | 2 | 2 | 2 | 2 | 2 | | |
| 31 | 1 | 26366-060002 | NUT, M6 | 2 | 2 | 2 | 2 | 2 | 2 | | |
| 32 | 1 | 114771-11310 | GASKET, BONNET | 1 | 1 | 1 | 1 | 1 | 1 | | |
| 33 | 1 | 114295-11951 | BONNET ASSY, HEAD | 1 | 1 | 1 | 1 | 1 | 1 | | |
| 34 | 1 | 114295-11991 | BONNET ASSY, HEAD | | | | | | 1 | | |
| 36 | 2 | 114250-03591 | LEVER ASSY | 1 | 1 | 1 | 1 | 1 | 1 | | |
| 37 | 2 | 114288-03590 | DECOMPRESSION ASSY | | | | | | 1 | | |
| 41 | 2 | 114299-03640 | SPRING, DECOMPRESSION | 1 | 1 | 1 | 1 | 1 | 1 | | |
| 43 | 2 | 22312-030160 | PIN, PARALLEL M3X16 | 1 | 1 | 1 | 1 | 1 | 1 | | |
| 46 | 1 | 26106-060552 | BOLT, M6X 55 PLATED | 3 | 3 | 3 | 3 | 3 | 3 | | |

Remarks
 (1) Fig.2 Ref.25-1, Fig.2 Ref.26-1,
 Fig.9 Ref.22-1, Fig.9 Ref.23A,
 Fig.9 Ref.24-1, Fig.12 Ref.23,
 are interchangeable when replaced
 at the same time.

Fig.3. AIR CLEANER & MUFFLER

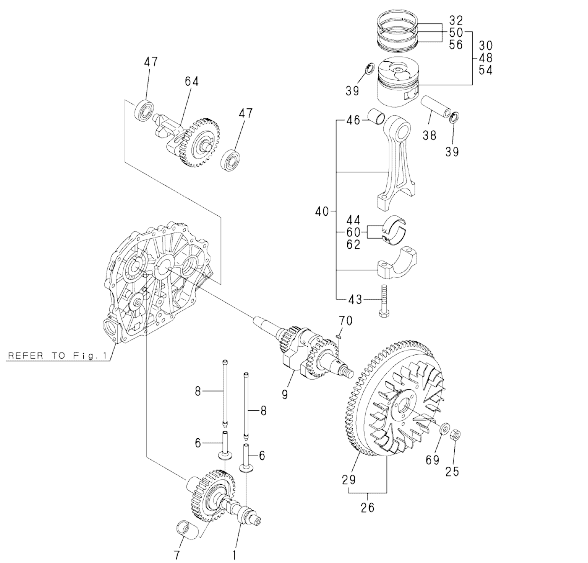
(A)=L48N5EA1C1AA (D)=L48N6AF3R4AA
 (B)=L48N6CA1T1AA (E)=L48N6FF1P1AA
 (C)=L48N6DA1F1AA (F)=



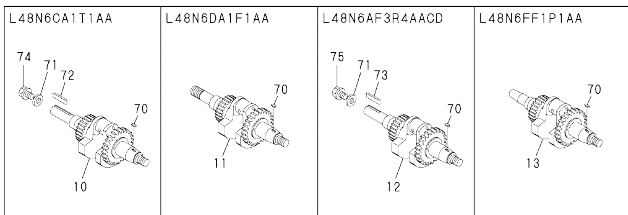
| No. | Lev. | Parts No. | Description | Qty | | | | | | I | R |
|------|------|-------------------------------------|----------------------|-----|-----|-----|-----|-----|-----|---|---|
| | | | | (A) | (B) | (C) | (D) | (E) | (F) | | |
| 1 | 1 | 114299-12210 | GASKET, AIR CLEANER | 1 | 1 | 1 | 1 | 1 | | | |
| 2 | 1 | 114250-12570 | CLEANER, AIR | 1 | 1 | 1 | 1 | 1 | | | |
| 3 | 2 | 114250-12520 | COVER, AIR CLEANER | 1 | 1 | 1 | 1 | 1 | | | |
| 4 | 2 | 114250-12530 | CASE ASSY, CLEANER | 1 | 1 | 1 | 1 | 1 | | | |
| 5 | 2 | 114250-12560 | WASHER, SEAL M6 | 1 | 1 | 1 | 1 | 1 | | | |
| 6 | 2 | 114250-12581 | ELEMENT, AIR CLEANER | 1 | 1 | 1 | 1 | 1 | | | |
| 7 | 2 | 114770-07450 | LABEL, AIR CLEANER | 1 | 1 | 1 | 1 | 1 | | | |
| 8 | 1 | 114250-12550 | NUT, WING M6 | 1 | 1 | 1 | 1 | 1 | | | |
| 9 | 1 | 114288-12511 | CLEANER ASSY, AIR | | | | | | 1 | | |
| 10 | 2 | 114650-07450 | LABEL, AIR CLEANER | | | | | | 1 | | |
| 11 | 2 | 114288-12520 | COVER ASSY, CLEANER | | | | | | 1 | | |
| 12 | 2 | 114288-12532 | CASE ASSY, CLEANER | | | | | | 1 | | |
| 13 | 2 | 114252-12560 | WASHER, SEAL M8 | | | | | | 1 | | |
| 14 | 2 | 114650-12590 | ELEMENT ASSY, AIR | | | | | | 1 | | |
| 16 | 3 | 114650-12550 | FILTER, AIR PRE | | | | | | 1 | | |
| 17 | 1 | 114252-12550 | NUT, WING M8 | | | | | | 1 | | |
| 18 | 1 | 114299-12300 | NUT | 3 | 3 | 3 | 3 | 3 | | | |
| 19 | 1 | 114771-12010 | PIPE, AIR INTAKE A | 1 | 1 | 1 | 1 | 1 | | | |
| 20 | 1 | 114771-12200 | GASKET, INTAKE PIPE | 1 | 1 | 1 | 1 | 1 | | | |
| 21 | 1 | 26106-060252 | BOLT, M6X 25 PLATED | 2 | 2 | 2 | 2 | 2 | | | |
| 22 | 1 | 26226-060142 | STUD, M6X 14 | 1 | 1 | 1 | 1 | 1 | | | |
| 23 | 1 | 26226-060552 | STUD, M6X 55 | 2 | 2 | 2 | 2 | 2 | | | |
| 24 | 1 | 114299-13200 | GASKET, MUFFLER | 1 | 1 | 1 | 1 | 1 | | | |
| 25 | 1 | 26216-080182 | STUD, M8X 18 | 2 | 2 | 2 | 2 | 2 | | | |
| 26 | 1 | 26366-080002 | NUT, M8 | 2 | 2 | 2 | 2 | 2 | | | |
| 27 | 1 | 114299-13520 | MUFFLER | 1 | 1 | 1 | 1 | 1 | | | |
| 27-1 | 1 | 11429C-13500 | MUFFLER ASSY, E-D | 1 | 1 | 1 | 1 | 1 | | R | |
| 27-2 | 1 | (A)=ES01702 (B)=ES01361 (C)=ES47714 | MUFFLER ASSY, E-D | 1 | 1 | 1 | 1 | 1 | | S | |
| 29 | 2 | 114299-13700 | COVER | 1 | 1 | 1 | 1 | 1 | | | |
| 29-1 | 2 | 11429C-13700 | COVER | 1 | 1 | 1 | 1 | 1 | | R | |
| 30 | 2 | 26106-060082 | BOLT, M6X 8 PLATED | 4 | 4 | 4 | 4 | 4 | | | |
| 30-1 | 2 | 11431C-13720 | BOLT, M6 | 4 | 4 | 4 | 4 | 4 | | R | |
| 31 | 1 | 114288-13500 | MUFFLER ASSY, E-DV | | | | | | 1 | | |
| 34 | 1 | 26106-060142 | BOLT, M6X 14 PLATED | 2 | 2 | 2 | 2 | 2 | | | |
| 34-1 | 1 | 26106-080162 | BOLT, M8X 16 PLATED | 2 | 2 | 2 | 2 | 2 | | S | |
| 35 | 1 | 114299-13800 | EXTENSION ASSY | 1 | 1 | 1 | 1 | 1 | | | |

Fig.4. CRANKSHAFT,PISTON & CAMSHAFT

(A)=L48N5EA1C1AA (D)=L48N6AF3R4AA
 (B)=L48N6CA1T1AA (E)=L48N6FF1P1AA
 (C)=L48N6DA1F1AA (F)=



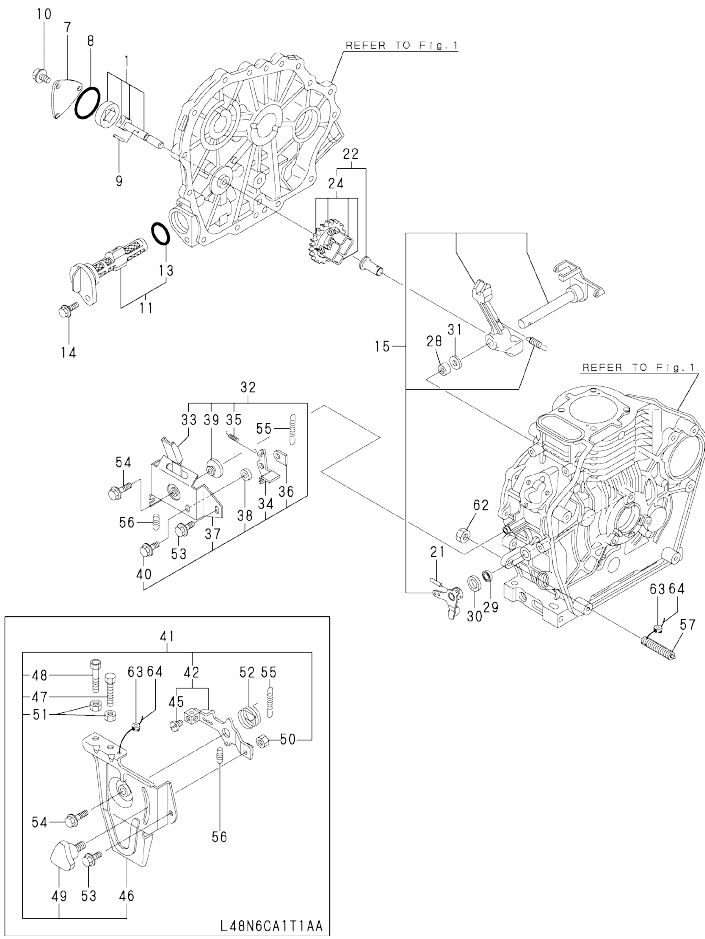
| No. | Lev. | Parts No. | Description | Qty | | | | | | I | R |
|-----|------|--------------|----------------------|-----|-----|-----|-----|-----|-----|---|---|
| | | | | (A) | (B) | (C) | (D) | (E) | (F) | | |
| 1 | 1 | 714295-14580 | CAMSHAFT (D) ASSY | 1 | 1 | 1 | 1 | 1 | 1 | | |
| 6 | 1 | 114299-14200 | TAPPET | 2 | 2 | 2 | 2 | 2 | 2 | | |
| 7 | 1 | 114771-14260 | TAPPET | 1 | 1 | 1 | 1 | 1 | 1 | | |
| 8 | 1 | 114250-14451 | ROD ASSY, PUSH | 2 | 2 | 2 | 2 | 2 | 2 | | |
| 9 | 1 | 714777-21700 | CRANKSHAFT ASSY | 1 | | | | | | | |
| 10 | 1 | 714775-21700 | CRANKSHAFT ASSY | | 1 | | | | | | |
| 11 | 1 | 714776-21700 | CRANKSHAFT ASSY | | | | 1 | | | | |
| 12 | 1 | 714772-21701 | CRANKSHAFT ASSY | | | | | 1 | | | |
| 13 | 1 | 714778-21700 | CRANKSHAFT ASSY. | | | | | | | 1 | |
| 25 | 1 | 114299-21220 | NUT | 1 | 1 | 1 | 1 | 1 | 1 | | |
| 26 | 1 | 114299-21590 | FLYWHEEL ASSY | 1 | 1 | 1 | 1 | 1 | 1 | | |
| 29 | 2 | 114299-21600 | GEAR, RING D | 1 | 1 | 1 | 1 | 1 | 1 | | |
| 30 | 1 | 714120-22720 | PISTON W/RINGS (D) | 1 | 1 | 1 | 1 | 1 | 1 | | |
| 32 | 2 | 714295-22500 | RING SET, PISTON | 1 | 1 | 1 | 1 | 1 | 1 | | |
| 38 | 1 | 114299-22300 | PIN, PISTON D=19 | 1 | 1 | 1 | 1 | 1 | 1 | | |
| 39 | 1 | 22252-000190 | RING, 19 | 2 | 2 | 2 | 2 | 2 | 2 | | |
| 40 | 1 | 714299-23700 | ROD ASSY, CONNECTING | 1 | 1 | 1 | 1 | 1 | 1 | | |
| 43 | 2 | 119265-23200 | BOLT, CONNECTING ROD | 2 | 2 | 2 | 2 | 2 | 2 | | |
| 44 | 2 | 714770-23600 | BEARING, CRANK PIN | 1 | 1 | 1 | 1 | 1 | 1 | | |
| 46 | 2 | 114770-23100 | BEARING, PISTON PIN | 1 | 1 | 1 | 1 | 1 | 1 | | |
| 47 | 1 | 24101-062020 | BEARING, BALL 6202C3 | 2 | 2 | 2 | 2 | 2 | 2 | | |
| 48 | 1 | 714120-22620 | PISTON W/RING OS=.25 | 1 | 1 | 1 | 1 | 1 | 1 | | 1 |
| 50 | 2 | 714295-22540 | RING SET O.S.=0.25 | 1 | 1 | 1 | 1 | 1 | 1 | | 1 |
| 54 | 1 | 714120-22580 | PISTON W/RING OS=0.5 | 1 | 1 | 1 | 1 | 1 | 1 | | 2 |
| 56 | 2 | 714295-22550 | RING SET O.S.=0.50 | 1 | 1 | 1 | 1 | 1 | 1 | | 2 |
| 60 | 1 | 714770-23610 | BEARING ASSY, 0.25 | 1 | 1 | 1 | 1 | 1 | 1 | | 3 |
| 62 | 1 | 714770-23620 | BEARING, 0.50 US | 1 | 1 | 1 | 1 | 1 | 1 | | 4 |
| 64 | 1 | 714770-28531 | SHAFT ASSY, BALANCER | 1 | 1 | 1 | 1 | 1 | 1 | | |
| 69 | 1 | 114299-21550 | WASHER | 1 | 1 | 1 | 1 | 1 | 1 | | |
| 70 | 1 | 22512-040120 | KEY, 4X 12 | 1 | 1 | 1 | 1 | 1 | 1 | | |
| 71 | 1 | 160310-14550 | WASHER | | 1 | | | | 1 | | |
| 72 | 1 | 160642-21150 | KEY, 4.7X30 | | 1 | | | | | | |
| 73 | 1 | 22512-050300 | KEY, 5X 30 | | | | | | 1 | | |
| 74 | 1 | 160642-21250 | BOLT, 5/15-24UNF | | 1 | | | | | | |
| 75 | 1 | 26106-080202 | BOLT, M8X 20 PLATED | | | | | | 1 | | |



Remarks
 (1)OVER SIZED(O.S.=0.25)PART.
 (2)OVER SIZED(O.S.=0.50)PART.
 (3)UNDER SIZED(U.S.=0.25)PART.
 (4)UNDER SIZED(U.S.=0.50)PART.

Fig.5. LUB.OIL PUMP & GOVERNOR(1)

(A)=L48N5EA1C1AA
 (D)=L48N6AF3R4AA
 (B)=L48N6CA1T1AA
 (E)=L48N6FF1P1AA
 (C)=L48N6DA1F1AA
 (F)=

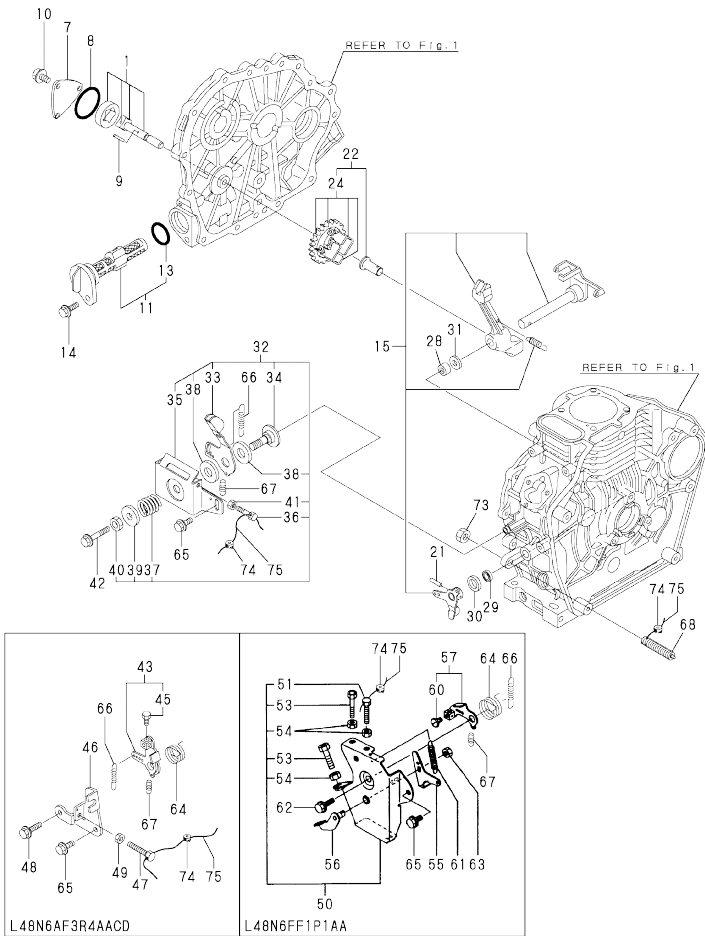


| No. | Lev. | Parts No. | Description | Qty | | | | | | I | R |
|-----|------|--------------|-----------------------|-----|-----|-----|-----|-----|-----|---|---|
| | | | | (A) | (B) | (C) | (D) | (E) | (F) | | |
| 1 | 1 | 114250-32010 | PUMP ASSY, OIL | 1 | 1 | | | | | | |
| 7 | 1 | 114299-32070 | COVER | 1 | 1 | | | | | | |
| 8 | 1 | 114299-32570 | O-RING | 1 | 1 | | | | | | |
| 9 | 1 | 22312-030160 | PIN, PARALLEL M3X16 | 1 | 1 | | | | | | |
| 10 | 1 | 26106-060122 | BOLT, M6X 12 PLATED | 3 | 3 | | | | | | |
| 11 | 1 | 114299-35110 | FILTER ASSY, OIL | 1 | 1 | | | | | | |
| 13 | 2 | 24341-000224 | O-RING, 1AS22.4 | 1 | 1 | | | | | | |
| 14 | 1 | 26106-060162 | BOLT, M6X 16 PLATED | 1 | 1 | | | | | | |
| 15 | 1 | 114295-61170 | LEVER ASSY, GOVERNOR | 1 | 1 | | | | | | |
| 21 | 1 | 22322-030200 | PIN, TAPER 3X20 | 1 | 1 | | | | | | |
| 22 | 1 | 714770-61100 | GOVERNOR ASSY | 1 | 1 | | | | | | |
| 24 | 2 | 114770-61220 | WEIGHT ASSY, GOVERNOR | 1 | 1 | | | | | | |
| 28 | 1 | 114295-61520 | NEEDLE BEARING | 2 | 2 | | | | | | |
| 29 | 1 | 114299-61600 | SEAL, OIL | 1 | 1 | | | | | | |
| 30 | 1 | 114770-61610 | WASHER, THRUST | 1 | 1 | | | | | | |
| 31 | 1 | 114299-61190 | WASHER | 1 | 1 | | | | | | |
| 32 | 1 | 114210-66510 | BRACKET, REGULATOR | 1 | 1 | | | | | | |
| 33 | 2 | 114210-66300 | HANDLE | 1 | 1 | | | | | | |
| 34 | 2 | 183250-66321 | LEVER, LOCK | 1 | 1 | | | | | | |
| 35 | 2 | 183250-66331 | SPRING | 1 | 1 | | | | | | |
| 36 | 2 | 183250-66341 | NUT, LOCK | 1 | 1 | | | | | | |
| 37 | 2 | 114210-66350 | BRACKET | 1 | 1 | | | | | | |
| 38 | 2 | 183250-66361 | COLLAR | 1 | 1 | | | | | | |
| 39 | 2 | 183250-66371 | COLLAR | 1 | 1 | | | | | | |
| 40 | 2 | 26106-060162 | BOLT, M6X 16 PLATED | 1 | 1 | | | | | | |
| 41 | 1 | 714210-66100 | SPEED CTRL, THAI | | 1 | | | | | | |
| 42 | 2 | 114210-66060 | HANDLE ASY, REGULATOR | 1 | 1 | | | | | | |
| 45 | 3 | 26117-050089 | BOLT, M5X 8 PLATED | 1 | 1 | | | | | | |
| 46 | 2 | 114210-66100 | BRACKET, REGULATOR | 1 | 1 | | | | | | |
| 47 | 2 | 114299-66440 | BOLT, ADJUSTING | 1 | 1 | | | | | | |
| 48 | 2 | 114299-67080 | BOLT, ADJUSTING | 1 | 1 | | | | | | |
| 49 | 2 | 160725-78350 | KNOB | 1 | 1 | | | | | | |
| 50 | 2 | 26347-060002 | NUT, M6 | 1 | 1 | | | | | | |
| 51 | 2 | 26757-060002 | NUT, LOCK M6 | | 2 | | | | | | |
| 52 | 1 | 114299-66250 | SPRING, RETURN | 1 | 1 | | | | | | |
| 53 | 1 | 26106-060142 | BOLT, M6X 14 PLATED | 1 | 1 | | | | | | |
| 54 | 1 | 26106-060202 | BOLT, M6X 20 PLATED | 1 | 1 | | | | | | |
| 55 | 1 | 114770-66010 | SPRING, REGULATOR | 1 | 1 | | | | | | |
| 56 | 1 | 114299-66200 | SPRING, RETURN | 1 | 1 | | | | | | |
| 57 | 1 | 114211-66600 | LIMITER ASSY, FUEL | 1 | 1 | | | | | | |
| 62 | 1 | 26776-100002 | NUT, LOCK M10 | 1 | 1 | | | | | | |
| 63 | 1 | 114780-61090 | TIN | 1 | 2 | | | | | | |
| 64 | 1 | 22451-060000 | WIRE, 0.6 | 1 | 2 | | | | | | |

N:Old $\frac{New}{Old}$ New, Q:Old $\frac{New}{Old}$ New, R:Old $\frac{New}{Old}$ New, S:Old $\frac{New}{Old}$ New, W:Add, Z:Discontinued, F:Interchangeable by set, K:Qty Change
 Copyright (C) YANMAR GLOBAL CS CO., LTD. All Rights Reserved.

Fig.6. LUB.OIL PUMP & GOVERNOR(2)

(A)=L48N5EA1C1AA (D)=L48N6AF3R4AA
 (B)=L48N6CA1T1AA (E)=L48N6FF1P1AA
 (C)=L48N6DA1F1AA (F)=



| No. | Lev. | Parts No. | Description | Qty | | | | | | I | R |
|-----|------|--------------|-----------------------|-----|-----|-----|-----|-----|-----|---|---|
| | | | | (A) | (B) | (C) | (D) | (E) | (F) | | |
| 1 | 1 | 114250-32010 | PUMP ASSY, OIL | | | 1 | 1 | 1 | | | |
| 7 | 1 | 114299-32070 | COVER | | | 1 | 1 | 1 | | | |
| 8 | 1 | 114299-32570 | O-RING | | | 1 | 1 | 1 | | | |
| 9 | 1 | 22312-030160 | PIN, PARALLEL M3X16 | | | 1 | 1 | 1 | | | |
| 10 | 1 | 26106-060122 | BOLT, M6X 12 PLATED | | | 3 | 3 | 3 | | | |
| 11 | 1 | 114299-35110 | FILTER ASSY, OIL | | | 1 | 1 | 1 | | | |
| 13 | 2 | 24341-000224 | O-RING, 1AS22.4 | | | 1 | 1 | 1 | | | |
| 14 | 1 | 26106-060162 | BOLT, M6X 16 PLATED | | | 1 | 1 | 1 | | | |
| 15 | 1 | 114295-61170 | LEVER ASSY, GOVERNOR | | | 1 | 1 | 1 | | | |
| 21 | 1 | 22322-030200 | PIN, TAPER 3X20 | | | 1 | 1 | 1 | | | |
| 22 | 1 | 714770-61100 | GOVERNOR ASSY | | | 1 | 1 | 1 | | | |
| 24 | 2 | 114770-61220 | WEIGHT ASSY, GOVERNOR | | | 1 | 1 | 1 | | | |
| 28 | 1 | 114295-61520 | NEEDLE BEARING | | | 2 | 2 | 2 | | | |
| 29 | 1 | 114299-61600 | SEAL, OIL | | | 1 | 1 | 1 | | | |
| 30 | 1 | 114770-61610 | WASHER, THRUST | | | 1 | 1 | 1 | | | |
| 31 | 1 | 114299-61190 | WASHER | | | 1 | 1 | 1 | | | |
| 32 | 1 | 114210-66550 | BRACKET ASSY | | | 1 | | | | | |
| 33 | 2 | 114210-66070 | HANDLE, REGULATOR | | | 1 | | | | | |
| 34 | 2 | 183250-66070 | SHAFT, HANDLE | | | 1 | | | | | |
| 35 | 2 | 114210-66400 | BRACKET, HANDLE | | | 1 | | | | | |
| 36 | 2 | 114250-66440 | BOLT, ADJUSTING | | | 1 | | | | | |
| 37 | 2 | 104200-66820 | SPRING | | | 1 | | | | | |
| 38 | 2 | 104200-66831 | PLATE, FRICTION | | | 2 | | | | | |
| 39 | 2 | 104200-66850 | WASHER | | | 1 | | | | | |
| 40 | 2 | 26696-100002 | NUT, LOCK M10 | | | 1 | | | | | |
| 41 | 2 | 26757-060002 | NUT, LOCK M6 | | | 1 | | | | | |
| 42 | 1 | 26106-060452 | BOLT, M6X 45 PLATED | | | 1 | | | | | |
| 43 | 1 | 114252-66051 | HANDLE, REGULATOR | | | | | 1 | | | |
| 45 | 2 | 105225-66990 | SCREW, M5X8.5 | | | | | 1 | | | |
| 46 | 1 | 183360-66110 | BRACKET | | | | | 1 | | | |
| 47 | 1 | 114299-66440 | BOLT, ADJUSTING | | | | | 1 | | | |
| 48 | 1 | 26106-060202 | BOLT, M6X 20 PLATED | | | | | 1 | | | |
| 49 | 1 | 26757-060002 | NUT, LOCK M6 | | | | | 1 | | | |
| 50 | 1 | 714299-66900 | SPEED CONTROL TP 01 | | | | | | | 1 | |
| 51 | 2 | 114299-66440 | BOLT, ADJUSTING | | | | | 1 | | | |
| 53 | 2 | 114299-67080 | BOLT, ADJUSTING | | | | | 2 | | | |
| 54 | 2 | 26757-060002 | NUT, LOCK M6 | | | | | 3 | | | |
| 55 | 1 | 114299-66920 | LEVER, STOP | | | | | 1 | | | |
| 56 | 1 | 114299-66931 | LEVER, STOP | | | | | 1 | | | |
| 57 | 1 | 114299-66940 | LEVER ASSY, REGULATOR | | | | | 1 | | | |
| 60 | 2 | 26117-050089 | BOLT, M5X 8 PLATED | | | | | 1 | | | |
| 61 | 1 | 114299-66960 | SPRING | | | | | 1 | | | |
| 62 | 1 | 26106-060302 | BOLT, M6X 30 PLATED | | | | | 1 | | | |
| 63 | 1 | 26757-080002 | NUT, LOCK M8 | | | | | 1 | | | |
| 64 | 1 | 114299-66250 | SPRING, RETURN | | | | | 1 | | 1 | |
| 65 | 1 | 26106-060142 | BOLT, M6X 14 PLATED | | | 1 | 1 | 1 | | | |
| 66 | 1 | 114770-66010 | SPRING, REGULATOR | | | 1 | 1 | 1 | | | |
| 67 | 1 | 114299-66200 | SPRING, RETURN | | | 1 | 1 | 1 | | | |
| 68 | 1 | 114211-66600 | LIMITER ASSY, FUEL | | | 1 | 1 | 1 | | | |
| 73 | 1 | 26776-100002 | NUT, LOCK M10 | | | 1 | 1 | 1 | | | |
| 74 | 1 | 114780-61090 | TIN | | | 2 | 2 | 2 | | | |

N:Old $\frac{New}{Old}$ New, Q:Old $\frac{New}{Old}$ New, R:Old $\frac{New}{Old}$ New, S:Old $\frac{New}{Old}$ New, W:Add, Z:Discontinued, F:Interchangeable by set, K:Qty Change
 ++ CONTINUE ++
 Copyright (C) YANMAR GLOBAL CS CO., LTD. All Rights Reserved.

Fig.6. LUB.OIL PUMP & GOVERNOR(2)

(A)=L48N5EA1C1AA
 (B)=L48N6CA1T1AA
 (C)=L48N6DA1F1AA
 (D)=L48N6AF3R4AA
 (E)=L48N6FF1P1AA
 (F)=

| No. | Lev. | Parts No. | Description | Q'ty | | | | | | |
|-----|------|--------------|-------------|------|-----|-----|-----|-----|-----|--|
| | | | | (A) | (B) | (C) | (D) | (E) | (F) | |
| 75 | 1 | 22451-060000 | WIRE, 0.6 | | | 2 | 2 | 2 | | |

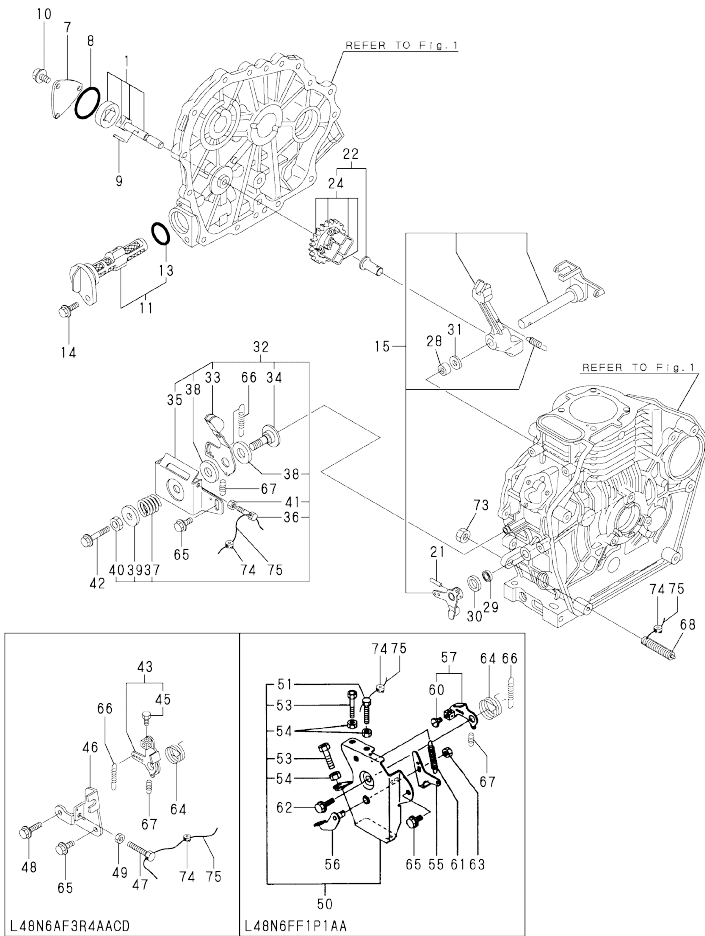
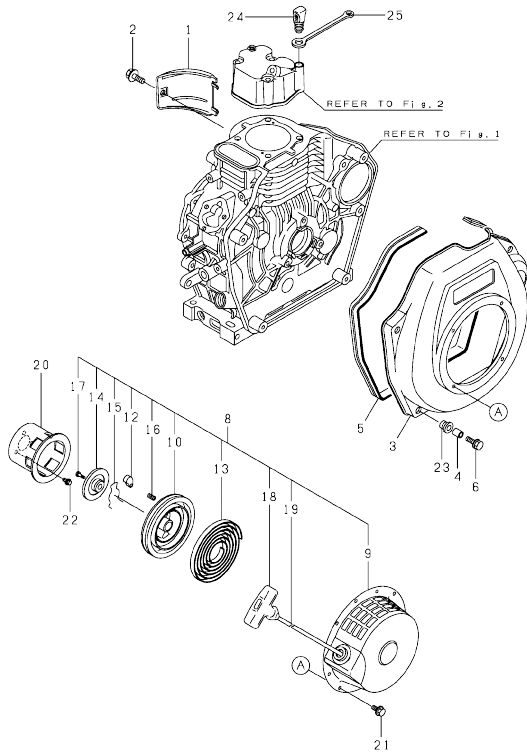


Fig.7. COOLING & STARTING DEVICE

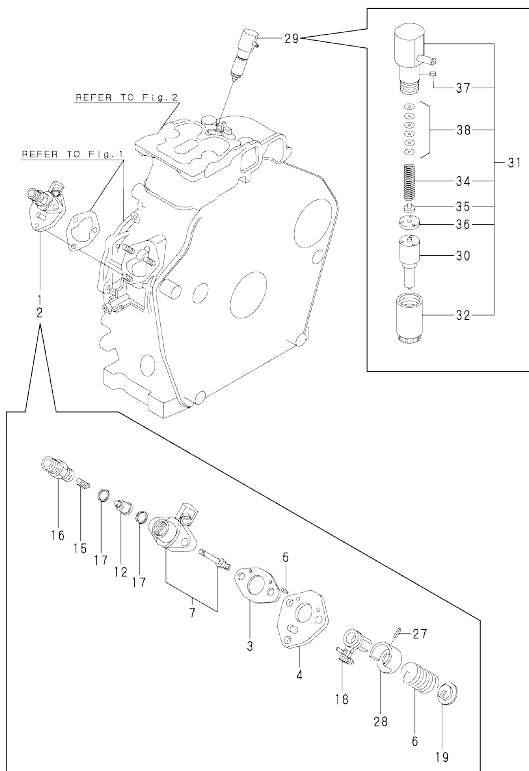
(A)=L48N5EA1C1AA (D)=L48N6AF3R4AA
 (B)=L48N6CA1T1AA (E)=L48N6FF1P1AA
 (C)=L48N6DA1F1AA (F)=



| No. | Lev. | Parts No. | Description | Qty | | | | | | I | R |
|-----|------|--------------|----------------------|-----|-----|-----|-----|-----|-----|---|---|
| | | | | (A) | (B) | (C) | (D) | (E) | (F) | | |
| 1 | 1 | 114299-45210 | COVER | 1 | 1 | 1 | 1 | 1 | 1 | | |
| 2 | 1 | 26106-060122 | BOLT, M6X 12 PLATED | 1 | 1 | 1 | 1 | 1 | 1 | | |
| 3 | 1 | 114295-45100 | FAN CASE(SILVER)(17) | 1 | 1 | 1 | 1 | 1 | 1 | | |
| 4 | 1 | 114299-45310 | COLLAR | 4 | 4 | 4 | 4 | 4 | 4 | | |
| 5 | 1 | 114299-45330 | SEAL, FAN CASE | 1 | 1 | 1 | 1 | 1 | 1 | | |
| 6 | 1 | 114299-45350 | BOLT, FAN CASE | 4 | 4 | 4 | 4 | 4 | 4 | | |
| 8 | 1 | 114299-76250 | STARTER ASSY, RECOIL | 1 | 1 | 1 | 1 | 1 | 1 | | |
| 9 | 2 | 114299-76500 | CASE, STARTER | 1 | 1 | 1 | 1 | 1 | 1 | | |
| 10 | 2 | 114299-76521 | REEL | 1 | 1 | 1 | 1 | 1 | 1 | | |
| 12 | 2 | 114399-76531 | RATCHET | 1 | 1 | 1 | 1 | 1 | 1 | | |
| 13 | 2 | 114399-76540 | SPRING, SPIRAL | 1 | 1 | 1 | 1 | 1 | 1 | | |
| 14 | 2 | 114399-76550 | COVER | 1 | 1 | 1 | 1 | 1 | 1 | | |
| 15 | 2 | 114399-76560 | SPRING | 1 | 1 | 1 | 1 | 1 | 1 | | |
| 16 | 2 | 114399-76570 | SPRING, RETURN | 1 | 1 | 1 | 1 | 1 | 1 | | |
| 17 | 2 | 114399-76580 | SCREW | 1 | 1 | 1 | 1 | 1 | 1 | | |
| 18 | 2 | 114399-76620 | KNOB, STARTER | 1 | 1 | 1 | 1 | 1 | 1 | | |
| 19 | 2 | 114299-76630 | ROPE, STARTER | 1 | 1 | 1 | 1 | 1 | 1 | | |
| 20 | 1 | 114299-76590 | PULLEY, STARTER | 1 | 1 | 1 | 1 | 1 | 1 | | |
| 21 | 1 | 26106-060082 | BOLT, M6X 8 PLATED | 4 | 4 | 4 | 4 | 4 | 4 | | |
| 22 | 1 | 26106-060122 | BOLT, M6X 12 PLATED | 3 | 3 | 3 | 3 | 3 | 3 | | |
| 23 | 1 | 114299-45301 | RUBBER, CUSHION | 4 | 4 | 4 | 4 | 4 | 4 | | |
| 24 | 1 | 114299-76600 | PLUNGER | 1 | 1 | 1 | 1 | 1 | 1 | | |
| 25 | 1 | 114299-76610 | HOLDER, PLUNGER | 1 | 1 | 1 | 1 | 1 | 1 | | |

Fig.8. F.I.PUMP & F.I.VALVE

(A)=L48N5EA1C1AA (D)=L48N6AF3R4AA
 (B)=L48N6CA1T1AA (E)=L48N6FF1P1AA
 (C)=L48N6DA1F1AA (F)=

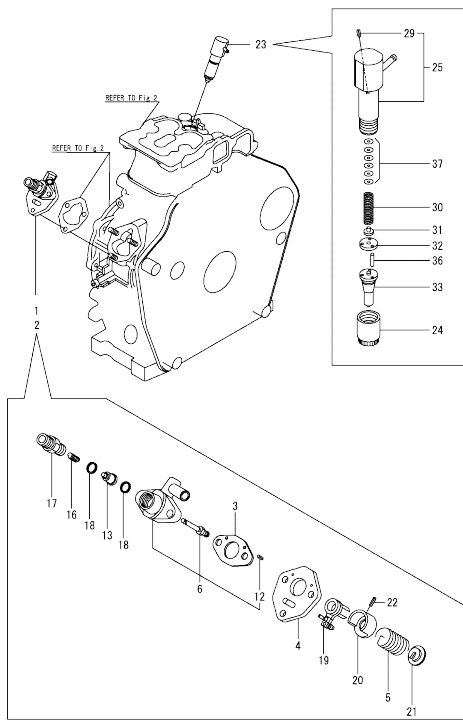


| No. | Lev. | Parts No. | Description | Q'ty | | | | | | I | R |
|-----|------|--------------|----------------------|------|-----|-----|-----|-----|-----|---|---|
| | | | | (A) | (B) | (C) | (D) | (E) | (F) | | |
| 1 | 1 | 714120-51130 | PUMP ASSY, F.INJECT. | | | | | | | | 1 |
| 2 | 1 | 714120-51100 | PUMP ASSY, F.INJECT. | | | | | | | | 2 |
| 3 | 2 | 114299-51020 | GASKET, PUMP BODY | 1 | 1 | 1 | 1 | 1 | 1 | | |
| 4 | 2 | 114299-51080 | PLATE | 1 | 1 | 1 | 1 | 1 | 1 | | |
| 5 | 2 | 114299-51090 | PIN, 2.0A X 6 | 2 | 2 | 2 | 2 | 2 | 2 | | |
| 6 | 2 | 114299-51160 | SPRING, PLUNGER | 1 | 1 | 1 | 1 | 1 | 1 | | |
| 7 | 2 | 114399-51200 | BODY ASSY, PUMP | 1 | 1 | 1 | 1 | 1 | 1 | | |
| 12 | 2 | 114299-51300 | VALVE ASSY, DELIVERY | 1 | 1 | 1 | 1 | 1 | 1 | | |
| 15 | 2 | 114299-51330 | SPRING, VALVE | 1 | 1 | 1 | 1 | 1 | 1 | | |
| 16 | 2 | 114299-51340 | HOLDER, DELIVERY | 1 | 1 | 1 | 1 | 1 | 1 | | |
| 17 | 2 | 114299-51350 | PACKING, DELIVERY | 2 | 2 | 2 | 2 | 2 | 2 | | |
| 18 | 2 | 114299-51600 | LEVER, CONTROL | 1 | 1 | 1 | 1 | 1 | 1 | | |
| 19 | 2 | 114299-51620 | SEAT ASSY (B, SPRING | 1 | 1 | 1 | 1 | 1 | 1 | | |
| 27 | 2 | 114299-51630 | PIN, 2.5A X 8 | 1 | 1 | 1 | 1 | 1 | 1 | | |
| 28 | 2 | 114299-51640 | SEAT, SPRING | 1 | 1 | 1 | 1 | 1 | 1 | | |
| 29 | 1 | 714120-53100 | FUEL INJECTOR | 1 | 1 | 1 | 1 | 1 | 1 | | 3 |
| 30 | 2 | 114120-53000 | NOZZLE ASSY | 1 | 1 | 1 | 1 | 1 | 1 | | |
| 31 | 2 | 114120-53100 | HOLDER ASSY, NOZZLE | 1 | 1 | 1 | 1 | 1 | 1 | | |
| 32 | 3 | 114210-53080 | NUT, NOZZLE | 1 | 1 | 1 | 1 | 1 | 1 | | |
| 34 | 3 | 114210-53120 | SPRING, NOZZLE | 1 | 1 | 1 | 1 | 1 | 1 | | |
| 35 | 3 | 114210-53130 | SEAT, SPRING | 1 | 1 | 1 | 1 | 1 | 1 | | |
| 36 | 3 | 114210-53140 | SPACER ASSY, VALVE | 1 | 1 | 1 | 1 | 1 | 1 | | |
| 37 | 3 | 114210-53330 | PIN | 1 | 1 | 1 | 1 | 1 | 1 | | |
| 38 | 3 | 114210-53400 | SHIM SET | 1 | 1 | 1 | 1 | 1 | 1 | | |

Remarks
 (1)New type is in Fig.12 Ref.1
 (2)New type is in Fig.12 Ref.2
 (3)New type is in Fig.12 Ref.23

Fig.12. 8A F.I.PUMP & F.I.VALVE

(A)=L48N5EA1C1AA (D)=L48N6AF3R4AA
 (B)=L48N6CA1T1AA (E)=L48N6FF1P1AA
 (C)=L48N6DA1F1AA (F)=

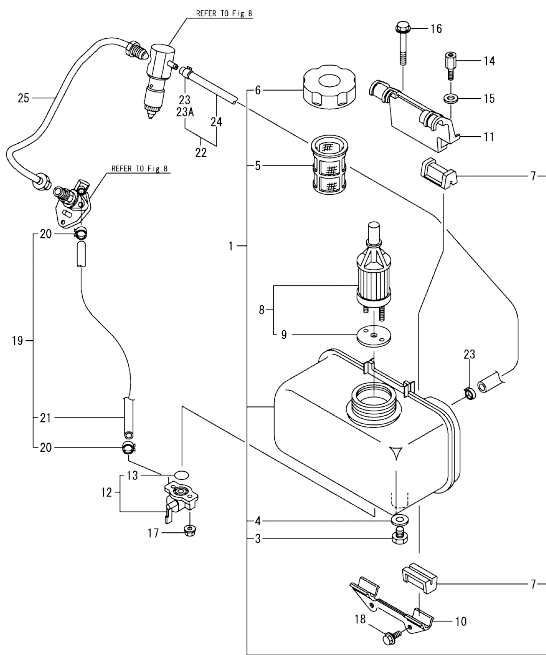


| No. | Lev. | Parts No. | Description | Qty | | | | | | I | R | |
|-----|------|--|----------------------|-----|-----|-----|-----|-----|-----|---|---|---|
| | | | | (A) | (B) | (C) | (D) | (E) | (F) | | | |
| 1 | 1 | 714139-51210 (A=EZZZZZ) | F.I.PUMP ASSY | 1 | | | | | | N | 1 | |
| 2 | 1 | 714139-51200 (B=EZZZZZ) (C=EZZZZZ) (D=EZZZZZ) (E=EZZZZZ) | PUMP ASSY, INJECTION | | 1 | 1 | 1 | 1 | | | N | 2 |
| 3 | 2 | 105546-51020 | GASKET | 1 | 1 | 1 | 1 | 1 | | | | |
| 4 | 2 | 114250-51080 | PLATE | 1 | 1 | 1 | 1 | 1 | | | | |
| 5 | 2 | 114250-51160 | SPRING, PLUNGER | 1 | 1 | 1 | 1 | 1 | | | | |
| 6 | 2 | 114350-51200 | BODY ASSY, PUMP | 1 | 1 | 1 | 1 | 1 | | | | |
| 12 | 4 | 22351-020006 | PIN, SPRING 2.0X 6 | 2 | 2 | 2 | 2 | 2 | | | | |
| 13 | 2 | 114250-51300 | VALVE ASSY, DELIVERY | 1 | 1 | 1 | 1 | 1 | | | | |
| 16 | 2 | 105546-51330 | SPRING, DELIVERY | 1 | 1 | 1 | 1 | 1 | | | | |
| 17 | 2 | 114250-51340 | HOLDER, DELIVERY | 1 | 1 | 1 | 1 | 1 | | | | |
| 18 | 2 | 124550-51350 | GASKET, DELIVERY | 2 | 2 | 2 | 2 | 2 | | | | |
| 19 | 2 | 114250-51600 | LEVER ASSY, CONTROL | 1 | 1 | 1 | 1 | 1 | | | | |
| 20 | 2 | 114250-51640 | SEAT, SPRING A | 1 | 1 | 1 | 1 | 1 | | | | |
| 21 | 2 | 114250-51650 | SEAT, SPRING B | 1 | 1 | 1 | 1 | 1 | | | | |
| 22 | 2 | 22351-030008 | PIN, SPRING 3.0X 8 | 1 | 1 | 1 | 1 | 1 | | | | |
| 23 | 1 | 714139-53200 | VALVE ASSY,INJECTION | 1 | 1 | 1 | 1 | 1 | | F | 3 | |
| 24 | 2 | 114250-53080 (A=EZZZZZ) (B=EZZZZZ) (C=EZZZZZ) (D=EZZZZZ) (E=EZZZZZ) | NUT, NOZZLE D16.95 | 1 | 1 | 1 | 1 | 1 | | | | |
| 25 | 2 | 114139-53100 | HOLDER ASSY, NOZZLE | 1 | 1 | 1 | 1 | 1 | | | | |
| 29 | 3 | 22351-025005 | PIN, SPRING 2.5X 6 | 1 | 1 | 1 | 1 | 1 | | | | |
| 30 | 2 | 114250-53120 | SPRING, NOZZLE | 1 | 1 | 1 | 1 | 1 | | | | |
| 31 | 2 | 114250-53130 | SEAT, SPRING | 1 | 1 | 1 | 1 | 1 | | | | |
| 32 | 2 | 114250-53140 | PLATE | 1 | 1 | 1 | 1 | 1 | | | | |
| 33 | 2 | 114139-53200 | NOZZLE ASSY | 1 | 1 | 1 | 1 | 1 | | | | |
| 36 | 2 | 114250-53210 | PIN | 2 | 2 | 2 | 2 | 2 | | | | |
| 37 | 2 | 114250-53400 | SHIM SET | 1 | 1 | 1 | 1 | 1 | | | | |

Remarks

- (1)Interchangeability with Fig.3 Ref.1
- (2)Interchangeability with Fig.8 Ref.2
- (3)Fig.2 Ref.25-1, Fig2 Ref.26-1, Fig.9 Ref.22-1, Fig.9 Ref.23A, Fig.9 Ref.24-1, Fig.12 Ref.23, are interchangeable when replaced at the same time.

Fig.9. FUEL TANK & FUEL PIPE

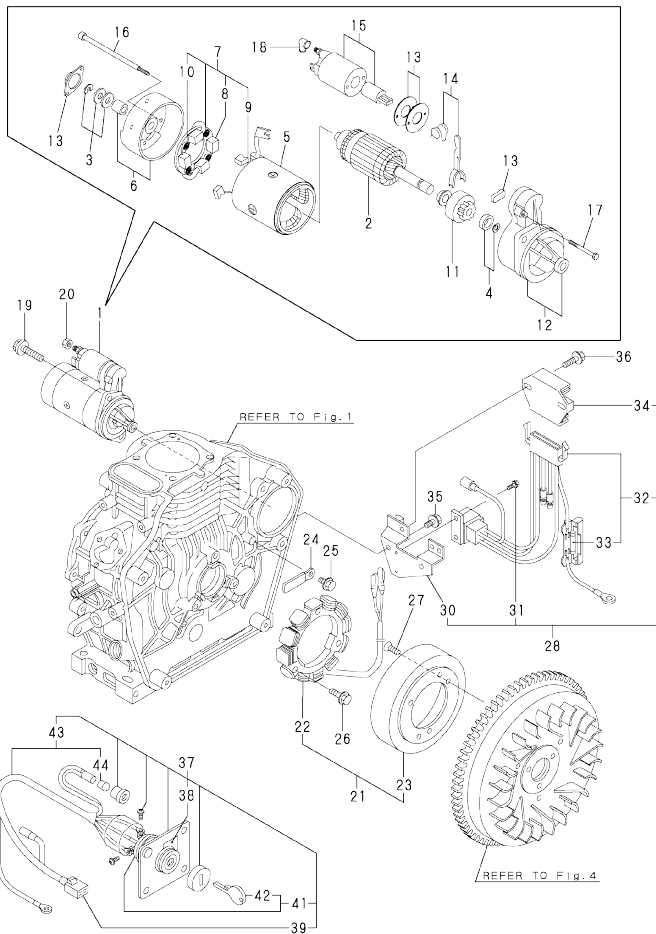


(A)=L48N5EA1C1AA (D)=L48N6AF3R4AA
 (B)=L48N6CA1T1AA (E)=L48N6FF1P1AA
 (C)=L48N6DA1F1AA (F)=

| No. | Lev. | Parts No. | Description | Q'ty | | | | | | I | R |
|------|------|--------------|----------------------|--------------|--------------|--------------|--------------|--------------|-----|---|-----|
| | | | | (A) | (B) | (C) | (D) | (E) | (F) | | |
| 1 | 1 | 714110-55720 | TANK ASSY, FUEL | 1 | 1 | 1 | 1 | 1 | 1 | | |
| 3 | 3 | 114299-55080 | PLUG, DRAIN | 1 | 1 | 1 | 1 | 1 | 1 | | |
| 4 | 3 | 23414-080000 | GASKET, 8X1.0 | 1 | 1 | 1 | 1 | 1 | 1 | | |
| 5 | 2 | 114299-55100 | ELEMENT, FUEL FILTER | 1 | 1 | 1 | 1 | 1 | 1 | | |
| 6 | 2 | 114299-55040 | CAP ASSY, FUEL TANK | 1 | 1 | 1 | 1 | 1 | 1 | | |
| 7 | 2 | 114250-55201 | DAMPER, FUEL TANK | 4 | 4 | 4 | 4 | 4 | 4 | | |
| 8 | 1 | 114250-55121 | FILTER ASSY, FUEL | 1 | 1 | 1 | 1 | 1 | 1 | | |
| 9 | 2 | 114250-55130 | GASKET | 1 | 1 | 1 | 1 | 1 | 1 | | |
| 10 | 1 | 114299-55210 | STAY, FUEL TANK A | 1 | 1 | 1 | 1 | 1 | 1 | | |
| 11 | 1 | 114299-55230 | STAY, FUEL TANK B | 1 | 1 | 1 | 1 | 1 | 1 | | |
| 12 | 1 | 114250-55301 | COCK ASSY, FUEL | 1 | 1 | 1 | 1 | 1 | 1 | | |
| 13 | 2 | 24341-000150 | O-RING, 1AS15.0 | 1 | 1 | 1 | 1 | 1 | 1 | | |
| 14 | 1 | 114299-55810 | BOLT, LIFTING | 1 | 1 | 1 | 1 | 1 | 1 | | |
| 15 | 1 | 22117-080000 | WASHER, 8 | 1 | 1 | 1 | 1 | 1 | 1 | | |
| 16 | 1 | 26106-080452 | BOLT, M8X 45 PLATED | 1 | 1 | 1 | 1 | 1 | 1 | | |
| 17 | 1 | 26366-060002 | NUT, M6 | 2 | 2 | 2 | 2 | 2 | 2 | | |
| 18 | 1 | 26106-060162 | BOLT, M6X 16 PLATED | 2 | 2 | 2 | 2 | 2 | 2 | | |
| 19 | 1 | 114770-59030 | PIPE ASSY, FUEL | 1 | 1 | 1 | 1 | 1 | 1 | | |
| 20 | 2 | 114270-59010 | CLAMP, HOSE 12 | 2 | 2 | 2 | 2 | 2 | 2 | | |
| 21 | 2 | 114268-59061 | PIPE, FUEL L=50 | 1 | 1 | 1 | 1 | 1 | 1 | | |
| 22 | 1 | 714250-59060 | PIPE ASSY, RETURN | 1 | 1 | 1 | 1 | 1 | 1 | | S |
| 22-1 | 1 | 114120-59300 | PIPE ASSY, RETURN | (A=*2008.09) | (B=*2008.09) | (C=*2008.09) | (D=*2008.09) | (E=*2008.09) | | | W 1 |
| 22-2 | 1 | 114120-59301 | PIPE ASSY, FO RETURN | (A=*2008.09) | (B=*2008.09) | (C=*2008.09) | (D=*2008.09) | (E=*2008.09) | | | N |
| 23 | 2 | 124722-59050 | CLAMP, HOSE 9 | (A=*2019.03) | (B=*2019.03) | (C=*2019.03) | (D=*2019.03) | (E=*2019.03) | | | |
| 23-1 | 2 | 124722-59050 | CLAMP, HOSE 9 | (A=*2008.09) | (B=*2008.09) | (C=*2008.09) | (D=*2008.09) | (E=*2008.09) | | | K |
| 23A | 2 | 124066-59100 | CLAMP, HOSE 8 | (A=*2008.09) | (B=*2008.09) | (C=*2008.09) | (D=*2008.09) | (E=*2008.09) | | | W 1 |
| 24 | 2 | 114250-59060 | PIPE, FUEL RETURN | (A=*2008.09) | (B=*2008.09) | (C=*2008.09) | (D=*2008.09) | (E=*2008.09) | | | S |
| 24-1 | 2 | 114650-59060 | PIPE, FUEL RETURN | (A=*2008.09) | (B=*2008.09) | (C=*2008.09) | (D=*2008.09) | (E=*2008.09) | | | W 1 |
| 24-2 | 2 | 114650-59061 | PIPE, FO RETURN | (A=*2008.09) | (B=*2008.09) | (C=*2008.09) | (D=*2008.09) | (E=*2008.09) | | | N |
| 25 | 1 | 114120-59800 | PIPE ASSY, INJECTION | (A=*2019.03) | (B=*2019.03) | (C=*2019.03) | (D=*2019.03) | (E=*2019.03) | | | |

Remarks
 (1)Fig.2 Ref.25-1, Fig.2 Ref.26-1,
 Fig.9 Ref.22-1, Fig.9 Ref.23A,
 Fig.9 Ref.24-1, Fig.12 Ref.23,
 are interchangeable when replaced
 at the same time.

Fig.10. STARTING MOTOR & DYNAMO

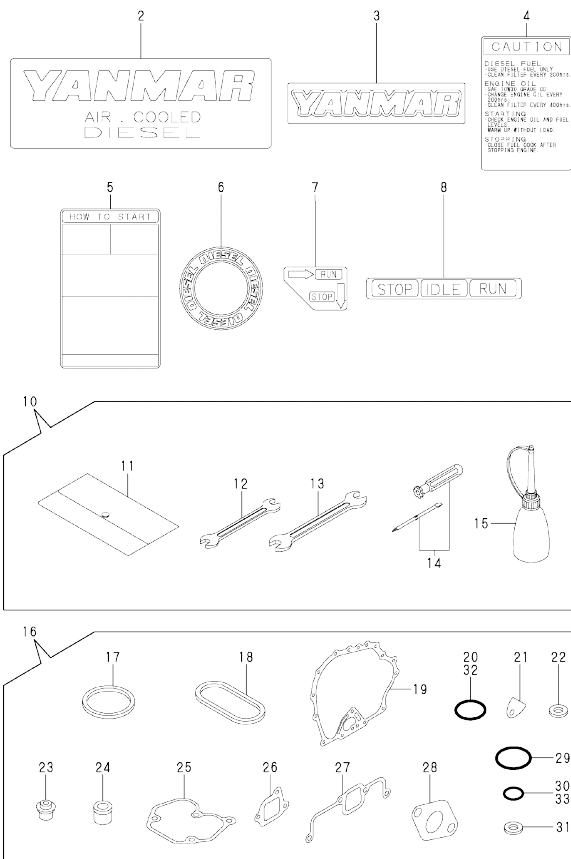


(A)=L48N5EA1C1AA
 (B)=L48N6CA1T1AA
 (C)=L48N6DA1F1AA
 (D)=L48N6AF3R4AA
 (E)=L48N6FF1P1AA
 (F)=

| No. | Lev. | Parts No. | Description | Q'ty | | | | | | I | R |
|-----|------|--------------|----------------------|------|-----|-----|-----|-----|-----|---|---|
| | | | | (A) | (B) | (C) | (D) | (E) | (F) | | |
| 1 | 1 | 114362-77011 | STARTER(HITACHI 12V | 1 | 1 | 1 | | | | | |
| 2 | 2 | 114381-77110 | ARMATURE | 1 | 1 | 1 | | | | | |
| 3 | 2 | X2114811000 | WASHER KIT, THRUST | 1 | 1 | 1 | | | | | |
| 4 | 2 | X2114715500 | STOPPER SET, PINION | 1 | 1 | 1 | | | | | |
| 5 | 2 | 114381-77130 | COIL ASSY, FIELD | 1 | 1 | 1 | | | | | |
| 6 | 2 | 114381-77140 | COVER, REAR | 1 | 1 | 1 | | | | | |
| 7 | 2 | 114371-77160 | HOLDER ASSY, BRUSH | 1 | 1 | 1 | | | | | |
| 8 | 3 | 114371-79040 | BRUSH (-) | 2 | 2 | 2 | | | | | |
| 9 | 3 | 114371-79050 | BRUSH (+) | 1 | 1 | 1 | | | | | |
| 10 | 3 | 114371-79060 | SPRING, BRUSH | 4 | 4 | 4 | | | | | |
| 11 | 2 | X211485016 | PINION ASSY | 1 | 1 | 1 | | | | | |
| 12 | 2 | 114381-77151 | HOUSING ASSY, GEAR | 1 | 1 | 1 | | | | | |
| 13 | 2 | 114371-77170 | COVER KIT, DUST | 1 | 1 | 1 | | | | | |
| 14 | 2 | 114371-77180 | LEVER KIT, SHIFT | 1 | 1 | 1 | | | | | |
| 15 | 2 | 124298-77020 | SWITCH, MAGNETIC | 1 | 1 | 1 | | | | | |
| 16 | 2 | 124195-77770 | THROUGH BOLT | 2 | 2 | 2 | | | | | |
| 17 | 2 | 114371-79070 | BOLT M 6X 37 | 2 | 2 | 2 | | | | | |
| 18 | 2 | X2114274200 | COVER, TERMINAL | 1 | 1 | 1 | | | | | |
| 19 | 1 | 26106-100302 | BOLT, M10X 30 PLATED | 2 | 2 | 2 | | | | | |
| 20 | 1 | 26716-080002 | NUT, M8 | 1 | 1 | 1 | | | | | |
| 21 | 1 | 114399-78260 | DYNAMO ASSY | 1 | 1 | 1 | | | | | |
| 22 | 2 | 114399-78730 | STATOR ASSY | 1 | 1 | 1 | | | | | |
| 23 | 2 | 114399-78740 | WHEEL, DYNAMO | 1 | 1 | 1 | | | | | |
| 24 | 1 | 160710-78710 | CLAMP, CORD | 1 | 1 | 1 | | | | | |
| 25 | 1 | 26106-060122 | BOLT, M6X 12 PLATED | 1 | 1 | 1 | | | | | |
| 26 | 1 | 26106-060202 | BOLT, M6X 20 PLATED | 3 | 3 | 3 | | | | | |
| 27 | 1 | 26577-060142 | SCREW M 6X 14 | 3 | 3 | 3 | | | | | |
| 28 | 1 | 114399-77550 | REG. & HARNESS ASSY | 1 | 1 | 1 | | | | | |
| 30 | 3 | 114399-77400 | BRACKET, HARNESS | 1 | 1 | 1 | | | | | |
| 31 | 3 | 26023-040102 | SCREW, M4X10 | 2 | 2 | 2 | | | | | |
| 32 | 3 | 114399-77540 | HARNESS, WIRE | 1 | 1 | 1 | | | | | |
| 33 | 4 | 114399-78000 | FUSE(20A | 2 | 2 | 2 | | | | | |
| 34 | 2 | 114399-77710 | REGULATOR | 1 | 1 | 1 | | | | | |
| 35 | 1 | 26106-060122 | BOLT, M6X 12 PLATED | 2 | 2 | 2 | | | | | |
| 36 | 1 | 26106-060202 | BOLT, M6X 20 PLATED | 2 | 2 | 2 | | | | | |
| 37 | 1 | 114351-77500 | PANEL ASSY | 1 | 1 | 1 | | | | | |
| 38 | 2 | 105198-07120 | LABEL, STARTER | 1 | 1 | 1 | | | | | |
| 39 | 2 | 114351-77520 | COUPLER | 1 | 1 | 1 | | | | | |
| 41 | 2 | 106100-77620 | SWITCH, KEY | 1 | 1 | 1 | | | | | |
| 42 | 3 | 106100-77630 | KEY, SWITCH | 1 | 1 | 1 | | | | | |
| 43 | 2 | 114351-77700 | HARNESS, WIRE | 1 | 1 | 1 | | | | | |
| 44 | 3 | 29220-083200 | BULB (12V/3.4W) | 1 | 1 | 1 | | | | | |

Fig.11. TOOL,LABEL & GASKET SET

(A)=L48N5EA1C1AA
 (B)=L48N6CA1T1AA
 (C)=L48N6DA1F1AA
 (D)=L48N6AF3R4AA
 (E)=L48N6FF1P1AA
 (F)=



| No. | Lev. | Parts No. | Description | Qty | | | | | | I | R |
|-----|------|--------------|----------------------|-----|-----|-----|-----|-----|-----|---|---|
| | | | | (A) | (B) | (C) | (D) | (E) | (F) | | |
| 2 | 1 | 114299-07100 | LABEL, AIR COOLED | 1 | 1 | 1 | 1 | 1 | 1 | | |
| 3 | 1 | 114299-07110 | LABEL, YANMAR | 1 | 1 | 1 | 1 | 1 | 1 | | |
| 4 | 1 | 114210-07120 | LABEL, CAUTION | 1 | 1 | 1 | 1 | 1 | 1 | | |
| 5 | 1 | 114210-07130 | LABEL HOW TO START-E | 1 | 1 | 1 | 1 | 1 | 1 | | |
| 6 | 1 | 114299-07160 | LABEL, DIESEL | 1 | 1 | 1 | 1 | 1 | 1 | | |
| 7 | 1 | 183250-07480 | LABEL, RUN-STOP | 1 | | | | | | | |
| 8 | 1 | 183250-07230 | LABEL, OPERATION | | | 1 | | | | | |
| 10 | 1 | 114299-92590 | BOX, TOOL | 1 | 1 | 1 | 1 | 1 | 1 | | |
| 11 | 2 | 114299-92600 | BAG, TOOL | 1 | 1 | 1 | 1 | 1 | 1 | | |
| 12 | 2 | 114299-92710 | WRENCH | 1 | 1 | 1 | 1 | 1 | 1 | | |
| 13 | 2 | 114299-92720 | WRENCH | 1 | 1 | 1 | 1 | 1 | 1 | | |
| 14 | 2 | 114299-92730 | DRIVER | 1 | 1 | 1 | 1 | 1 | 1 | | |
| 15 | 2 | 114299-92740 | DIPSTICK | 1 | 1 | 1 | 1 | 1 | 1 | | |
| 16 | 1 | 714120-92600 | GASKET SET | 1 | 1 | 1 | 1 | 1 | 1 | | 1 |
| 17 | 2 | 114295-01340 | GASKET, HEAD 0.5 | 1 | 1 | 1 | 1 | 1 | 1 | | |
| 18 | 2 | 114299-01380 | O-RING | 1 | 1 | 1 | 1 | 1 | 1 | | |
| 19 | 2 | 114299-01410 | GASKET, CRANK CASE | 1 | 1 | 1 | 1 | 1 | 1 | | |
| 20 | 2 | 114299-01950 | O-RING, 18 | 2 | 2 | 2 | 2 | 2 | 2 | | |
| 21 | 2 | 114250-01841 | GASKET | 1 | 1 | 1 | 1 | 1 | 1 | | |
| 22 | 2 | 22190-160002 | WASHER, SEAL 16 | 2 | 2 | 2 | 2 | 2 | 2 | | |
| 23 | 2 | 114250-11340 | SEAL, VALVE STEM | 2 | 2 | 2 | 2 | 2 | 2 | | |
| 24 | 2 | 114771-11461 | GASKET, NOZZLE | 1 | 1 | 1 | 1 | 1 | 1 | | |
| 25 | 2 | 114771-11310 | GASKET, BONNET | 1 | 1 | 1 | 1 | 1 | 1 | | |
| 26 | 2 | 114299-12210 | GASKET, AIR CLEANER | 1 | 1 | 1 | 1 | 1 | 1 | | |
| 27 | 2 | 114771-12200 | GASKET | 1 | 1 | 1 | 1 | 1 | 1 | | |
| 28 | 2 | 114299-13200 | GASKET, MUFFLER | 1 | 1 | 1 | 1 | 1 | 1 | | |
| 29 | 2 | 114299-32570 | O-RING | 1 | 1 | 1 | 1 | 1 | 1 | | |
| 30 | 2 | 24341-000100 | O-RING, 1AS10.0 | 1 | 1 | 1 | 1 | 1 | 1 | | |
| 31 | 2 | 23414-080000 | GASKET, 8X1.0 | 1 | 1 | 1 | 1 | 1 | 1 | | |
| 32 | 2 | 24341-000224 | O-RING, 1AS22.4 | 1 | 1 | 1 | 1 | 1 | 1 | | |
| 33 | 2 | 24341-000150 | O-RING, 1AS15.0 | 1 | 1 | 1 | 1 | 1 | 1 | | |

Remarks
 (1)OPTIONAL

Parts No. Index

| Parts No. | Fig. No. | Ref. No. |
|--------------|----------|----------|
| 104200-66820 | 6 | 37 |
| 104200-66831 | 6 | 38 |
| 104200-66850 | 6 | 39 |
| 105198-07120 | 10 | 38 |
| 105225-66990 | 6 | 45 |
| 105546-51020 | 12 | 3 |
| 105546-51330 | 12 | 16 |
| 106100-77620 | 10 | 41 |
| 106100-77630 | 10 | 42 |
| 114110-01020 | 1 | 1 |
| 114111-01450 | 1 | 35 -1 |
| 114120-11020 | 2 | 1 |
| 114120-53000 | 8 | 30 |
| 114120-53100 | 8 | 31 |
| 114120-59300 | 9 | 22 -1 |
| 114120-59301 | 9 | 22 -2 |
| 114120-59800 | 9 | 25 |
| 114139-53100 | 12 | 25 |
| 114139-53200 | 12 | 33 |
| 114210-07120 | 11 | 4 |
| 114210-07130 | 11 | 5 |
| 114210-53080 | 8 | 32 |
| 114210-53120 | 8 | 34 |
| 114210-53130 | 8 | 35 |
| 114210-53140 | 8 | 36 |
| 114210-53330 | 8 | 37 |
| 114210-53400 | 8 | 38 |
| 114210-66060 | 5 | 42 |
| 114210-66070 | 6 | 33 |
| 114210-66100 | 5 | 46 |
| 114210-66300 | 5 | 33 |
| 114210-66350 | 5 | 37 |
| 114210-66400 | 6 | 35 |
| 114210-66510 | 5 | 32 |
| 114210-66550 | 6 | 32 |
| 114211-66600 | 5 | 57 |
| | 6 | 68 |
| 114240-11450 | 2 | 25 -1 |
| 114240-11550 | 2 | 26 -1 |
| 114250-01841 | 1 | 29 |
| | 11 | 21 |
| 114250-02100 | 1 | 38 |
| 114250-02113 | 1 | 53 |
| 114250-02200 | 1 | 45 |
| 114250-02210 | 1 | 46 |
| 114250-03591 | 2 | 36 |
| 114250-11180 | 2 | 8 |
| 114250-11240 | 2 | 16 |
| | | 20 |
| 114250-11340 | 2 | 23 |

| Parts No. | Fig. No. | Ref. No. |
|--------------|----------|----------|
| 114250-11340 | 11 | 23 |
| 114250-12520 | 3 | 3 |
| 114250-12530 | 3 | 4 |
| 114250-12550 | 3 | 8 |
| 114250-12560 | 3 | 5 |
| 114250-12570 | 3 | 2 |
| 114250-12581 | 3 | 6 |
| 114250-14451 | 4 | 8 |
| 114250-32010 | 5 | 1 |
| | 6 | 1 |
| 114250-51080 | 12 | 4 |
| 114250-51160 | 12 | 5 |
| 114250-51300 | 12 | 13 |
| 114250-51340 | 12 | 17 |
| 114250-51600 | 12 | 19 |
| 114250-51640 | 12 | 20 |
| 114250-51650 | 12 | 21 |
| 114250-53080 | 12 | 24 |
| 114250-53120 | 12 | 30 |
| 114250-53130 | 12 | 31 |
| 114250-53140 | 12 | 32 |
| 114250-53210 | 12 | 36 |
| 114250-53400 | 12 | 37 |
| 114250-55121 | 9 | 8 |
| 114250-55130 | 9 | 9 |
| 114250-55201 | 9 | 7 |
| 114250-55301 | 9 | 12 |
| 114250-59060 | 9 | 24 |
| 114250-66440 | 6 | 36 |
| 114252-12550 | 3 | 17 |
| 114252-12560 | 3 | 13 |
| 114252-66051 | 6 | 43 |
| 114268-59061 | 9 | 21 |
| 114270-59010 | 9 | 20 |
| 114288-03590 | 2 | 37 |
| 114288-12511 | 3 | 9 |
| 114288-12520 | 3 | 11 |
| 114288-12532 | 3 | 12 |
| 114288-13500 | 3 | 31 |
| 114295-01340 | 1 | 14 |
| | 11 | 17 |
| 114295-11100 | 2 | 5 |
| 114295-11110 | 2 | 6 |
| 114295-11470 | 2 | 26 |
| 114295-11951 | 2 | 33 |
| 114295-11991 | 2 | 34 |
| 114295-45100 | 7 | 3 |
| 114295-61170 | 5 | 15 |
| | 6 | 15 |
| 114295-61520 | 5 | 28 |

| Parts No. | Fig. No. | Ref. No. |
|--------------|----------|----------|
| 114295-61520 | 6 | 28 |
| 114299-01200 | 1 | 9 |
| 114299-01210 | 1 | 10 |
| 114299-01220 | 1 | 11 |
| 114299-01230 | 1 | 12 |
| 114299-01380 | 1 | 15 |
| | 11 | 18 |
| 114299-01410 | 1 | 34 |
| | 11 | 19 |
| 114299-01450 | 1 | 35 |
| 114299-01600 | 1 | 16 |
| 114299-01690 | 1 | 47 |
| 114299-01760 | 1 | 48 |
| 114299-01800 | 1 | 17 |
| 114299-01830 | 1 | 28 |
| 114299-01950 | 1 | 50 |
| | 11 | 20 |
| 114299-02030 | 1 | 52 |
| 114299-02220 | 1 | 54 |
| 114299-03640 | 2 | 41 |
| 114299-07100 | 11 | 2 |
| 114299-07110 | 11 | 3 |
| 114299-07160 | 11 | 6 |
| 114299-11120 | 2 | 7 |
| 114299-11600 | 2 | 27 |
| 114299-11901 | 2 | 28 |
| 114299-12210 | 3 | 1 |
| | 11 | 26 |
| 114299-12300 | 3 | 18 |
| 114299-13200 | 3 | 24 |
| | 11 | 28 |
| 114299-13520 | 3 | 27 |
| 114299-13700 | 3 | 29 |
| 114299-13800 | 3 | 35 |
| 114299-14200 | 4 | 6 |
| 114299-21220 | 4 | 25 |
| 114299-21550 | 4 | 69 |
| 114299-21590 | 4 | 26 |
| 114299-21600 | 4 | 29 |
| 114299-22300 | 4 | 38 |
| 114299-32070 | 5 | 7 |
| | 6 | 7 |
| | 5 | 8 |
| 114299-32570 | 5 | 8 |
| | 6 | 8 |
| | 11 | 29 |
| 114299-35110 | 5 | 11 |
| | 6 | 11 |
| 114299-35150 | 1 | 42 |
| 114299-45210 | 7 | 1 |
| 114299-45301 | 7 | 23 |

| Parts No. | Fig. No. | Ref. No. |
|--------------|----------|----------|
| 114299-45310 | 7 | 4 |
| 114299-45330 | 7 | 5 |
| 114299-45350 | 7 | 6 |
| 114299-51020 | 8 | 3 |
| 114299-51080 | 8 | 4 |
| 114299-51090 | 8 | 5 |
| 114299-51160 | 8 | 6 |
| 114299-51300 | 8 | 12 |
| 114299-51330 | 8 | 15 |
| 114299-51340 | 8 | 16 |
| 114299-51350 | 8 | 17 |
| 114299-51600 | 8 | 18 |
| 114299-51620 | 8 | 19 |
| 114299-51630 | 8 | 27 |
| 114299-51640 | 8 | 28 |
| 114299-55040 | 9 | 6 |
| 114299-55080 | 9 | 3 |
| 114299-55100 | 9 | 5 |
| 114299-55210 | 9 | 10 |
| 114299-55230 | 9 | 11 |
| 114299-55810 | 9 | 14 |
| 114299-61190 | 5 | 31 |
| | 6 | 31 |
| 114299-61600 | 5 | 29 |
| | 6 | 29 |
| 114299-66200 | 5 | 56 |
| | 6 | 67 |
| 114299-66250 | 5 | 52 |
| | 6 | 64 |
| 114299-66440 | 5 | 47 |
| | 6 | 47 |
| | | 51 |
| 114299-66920 | 6 | 55 |
| 114299-66931 | 6 | 56 |
| 114299-66940 | 6 | 57 |
| 114299-66960 | 6 | 61 |
| 114299-67080 | 5 | 48 |
| | 6 | 53 |
| 114299-76250 | 7 | 8 |
| 114299-76500 | 7 | 9 |
| 114299-76521 | 7 | 10 |
| 114299-76590 | 7 | 20 |
| 114299-76600 | 7 | 24 |
| 114299-76610 | 7 | 25 |
| 114299-76630 | 7 | 19 |
| 114299-92590 | 11 | 10 |
| 114299-92600 | 11 | 11 |
| 114299-92710 | 11 | 12 |
| 114299-92720 | 11 | 13 |
| 114299-92730 | 11 | 14 |

Parts No. Index

| Parts No. | Fig. No. | Ref. No. |
|--------------|----------|----------|
| 114299-92740 | 11 | 15 |
| 11429C-13500 | 3 | 27 -1 |
| 11429C-13510 | 3 | 27 -2 |
| 11429C-13700 | 3 | 29 -1 |
| 11431C-13720 | 3 | 30 -1 |
| 114350-51200 | 12 | 6 |
| 114351-77500 | 10 | 37 |
| 114351-77520 | 10 | 39 |
| 114351-77700 | 10 | 43 |
| 114362-77011 | 10 | 1 |
| 114371-77160 | 10 | 7 |
| 114371-77170 | 10 | 13 |
| 114371-77180 | 10 | 14 |
| 114371-79040 | 10 | 8 |
| 114371-79050 | 10 | 9 |
| 114371-79060 | 10 | 10 |
| 114371-79070 | 10 | 17 |
| 114381-77110 | 10 | 2 |
| 114381-77130 | 10 | 5 |
| 114381-77140 | 10 | 6 |
| 114381-77151 | 10 | 12 |
| 114399-01700 | 1 | 5 |
| 114399-51200 | 8 | 7 |
| 114399-76531 | 7 | 12 |
| 114399-76540 | 7 | 13 |
| 114399-76550 | 7 | 14 |
| 114399-76560 | 7 | 15 |
| 114399-76570 | 7 | 16 |
| 114399-76580 | 7 | 17 |
| 114399-76620 | 7 | 18 |
| 114399-77400 | 10 | 30 |
| 114399-77540 | 10 | 32 |
| 114399-77550 | 10 | 28 |
| 114399-77710 | 10 | 34 |
| 114399-78000 | 10 | 33 |
| 114399-78260 | 10 | 21 |
| 114399-78730 | 10 | 22 |
| 114399-78740 | 10 | 23 |
| 114650-07450 | 3 | 10 |
| 114650-12550 | 3 | 16 |
| 114650-12590 | 3 | 14 |
| 114650-59060 | 9 | 24 -1 |
| 114650-59061 | 9 | 24 -2 |
| 114718-11910 | 2 | 30 |
| 114740-02110 | 1 | 38 -1 |
| 114740-02200 | 1 | 45 -1 |
| 114740-02210 | 1 | 46 -1 |
| 114770-07450 | 3 | 7 |
| 114770-23100 | 4 | 46 |
| 114770-59030 | 9 | 19 |

| Parts No. | Fig. No. | Ref. No. |
|--------------|----------|----------|
| 114770-61220 | 5 | 24 |
| | 6 | 24 |
| 114770-61610 | 5 | 30 |
| | 6 | 30 |
| 114770-66010 | 5 | 55 |
| | 6 | 66 |
| 114771-11250 | 2 | 12 |
| 114771-11260 | 2 | 13 |
| 114771-11310 | 2 | 32 |
| | 11 | 25 |
| 114771-11461 | 2 | 25 |
| | 11 | 24 |
| 114771-11650 | 2 | 14 |
| 114771-11660 | 2 | 18 |
| 114771-12010 | 3 | 19 |
| 114771-12200 | 3 | 20 |
| | 11 | 27 |
| 114771-14260 | 4 | 7 |
| 114780-61090 | 5 | 63 |
| | 6 | 74 |
| 114940-01870 | 1 | 56 -1 |
| 119260-11370 | 2 | 24 |
| 119265-23200 | 4 | 43 |
| 124066-59100 | 9 | 23 A |
| 124195-77770 | 10 | 16 |
| 124298-77020 | 10 | 15 |
| 124550-51350 | 12 | 18 |
| 124722-59050 | 9 | 23 |
| | 23 | -1 |
| 124950-01250 | 1 | 13 |
| 160110-01870 | 1 | 56 |
| 160210-02220 | 1 | 55 |
| 160310-14550 | 4 | 71 |
| 160642-21150 | 4 | 72 |
| 160642-21250 | 4 | 74 |
| 160710-78710 | 10 | 24 |
| 160725-78350 | 5 | 49 |
| 183250-07230 | 11 | 8 |
| 183250-07480 | 11 | 7 |
| 183250-66070 | 6 | 34 |
| 183250-66321 | 5 | 34 |
| 183250-66331 | 5 | 35 |
| 183250-66341 | 5 | 36 |
| 183250-66361 | 5 | 38 |
| 183250-66371 | 5 | 39 |
| 183360-66110 | 6 | 46 |
| 22117-080000 | 9 | 15 |
| 22190-160002 | 1 | 51 |
| | 11 | 22 |
| 22242-000120 | 2 | 22 |

| Parts No. | Fig. No. | Ref. No. |
|--------------|----------|----------|
| 22252-000190 | 4 | 39 |
| 22312-030160 | 2 | 43 |
| | 5 | 9 |
| | 6 | 9 |
| 22312-040080 | 1 | 30 |
| 22322-030200 | 5 | 21 |
| | 6 | 21 |
| 22351-020006 | 12 | 12 |
| 22351-025005 | 12 | 29 |
| 22351-030008 | 12 | 22 |
| 22351-040008 | 2 | 11 |
| 22451-060000 | 5 | 64 |
| | 6 | 75 |
| 22512-040120 | 4 | 70 |
| 22512-050300 | 4 | 73 |
| 23414-080000 | 9 | 4 |
| | 11 | 31 |
| 23876-010000 | 1 | 41 |
| 24101-062020 | 4 | 47 |
| 24162-152112 | 1 | 7 |
| 24341-000100 | 11 | 30 |
| 24341-000150 | 9 | 13 |
| | 11 | 33 |
| 24341-000224 | 5 | 13 |
| | 6 | 13 |
| | 11 | 32 |
| 26023-040102 | 10 | 31 |
| 26106-060082 | 3 | 30 |
| | 7 | 21 |
| 26106-060122 | 5 | 10 |
| | 6 | 10 |
| | 7 | 2 |
| | 10 | 25 |
| | 35 | |
| 26106-060142 | 3 | 34 |
| | 5 | 53 |
| | 6 | 65 |
| 26106-060162 | 5 | 14 |
| | 6 | 40 |
| | 6 | 14 |
| | 9 | 18 |
| 26106-060202 | 5 | 54 |
| | 6 | 48 |
| | 10 | 26 |
| | 36 | |
| 26106-060252 | 1 | 43 |
| | 3 | 21 |
| 26106-060302 | 6 | 62 |
| 26106-060452 | 2 | 29 |

| Parts No. | Fig. No. | Ref. No. |
|--------------|----------|----------|
| 26106-060452 | 6 | 42 |
| 26106-060552 | 2 | 46 |
| 26106-080122 | 1 | 8 |
| 26106-080162 | 3 | 34 -1 |
| 26106-080202 | 4 | 75 |
| 26106-080352 | 1 | 44 |
| 26106-080452 | 9 | 16 |
| 26106-100122 | 1 | 6 |
| 26106-100302 | 10 | 19 |
| 26117-050089 | 5 | 45 |
| | 6 | 60 |
| 26216-080182 | 3 | 25 |
| 26226-060142 | 3 | 22 |
| 26226-060182 | 1 | 31 |
| 26226-060222 | 1 | 32 |
| 26226-060552 | 3 | 23 |
| 26347-060002 | 5 | 50 |
| 26366-060002 | 1 | 33 |
| | 2 | 31 |
| | 9 | 17 |
| 26366-080002 | 3 | 26 |
| 26577-060142 | 10 | 27 |
| 26696-100002 | 6 | 40 |
| 26716-080002 | 10 | 20 |
| 26757-060002 | 5 | 51 |
| | 6 | 41 |
| | | 49 |
| | | 54 |
| 26757-080002 | 6 | 63 |
| 26776-100002 | 5 | 62 |
| | 6 | 73 |
| 26856-060002 | 2 | 17 |
| | | 21 |
| 27310-055001 | 2 | 9 |
| 29220-083200 | 10 | 44 |
| 714110-55720 | 9 | 1 |
| 714120-22580 | 4 | 54 |
| 714120-22620 | 4 | 48 |
| 714120-22720 | 4 | 30 |
| 714120-51100 | 8 | 2 |
| 714120-51130 | 8 | 1 |
| 714120-53100 | 8 | 29 |
| 714120-92600 | 11 | 16 |
| 714139-51200 | 12 | 2 |
| 714139-51210 | 12 | 1 |
| 714139-53200 | 12 | 23 |
| 714210-66100 | 5 | 41 |
| 714250-59060 | 9 | 22 |
| 714295-14580 | 4 | 1 |
| 714295-22500 | 4 | 32 |

Parts No. Index

| Parts No. | Fig. No. | Ref. No. |
|--------------|----------|----------|
| 714295-22540 | 4 | 50 |
| 714295-22550 | 4 | 56 |
| 714299-23700 | 4 | 40 |
| 714299-66900 | 6 | 50 |
| 714770-23600 | 4 | 44 |
| 714770-23610 | 4 | 60 |
| 714770-23620 | 4 | 62 |
| 714770-28531 | 4 | 64 |
| 714770-61100 | 5 | 22 |
| | 6 | 22 |
| 714772-21701 | 4 | 12 |
| 714775-21700 | 4 | 10 |
| 714776-21700 | 4 | 11 |
| 714777-21700 | 4 | 9 |
| 714778-21700 | 4 | 13 |
| X2114274200 | 10 | 18 |
| X2114715500 | 10 | 4 |
| X2114811000 | 10 | 3 |
| X211485016 | 10 | 11 |

| Parts No. | Fig. No. | Ref. No. |
|-----------|----------|----------|
|-----------|----------|----------|

| Parts No. | Fig. No. | Ref. No. |
|-----------|----------|----------|
|-----------|----------|----------|

| Parts No. | Fig. No. | Ref. No. |
|-----------|----------|----------|
|-----------|----------|----------|