

0CC50-M01590EN

P R E F A C E

This parts catalog is the 1st edition of L48N5FF1C1EA for CHAGSHA FLORES.

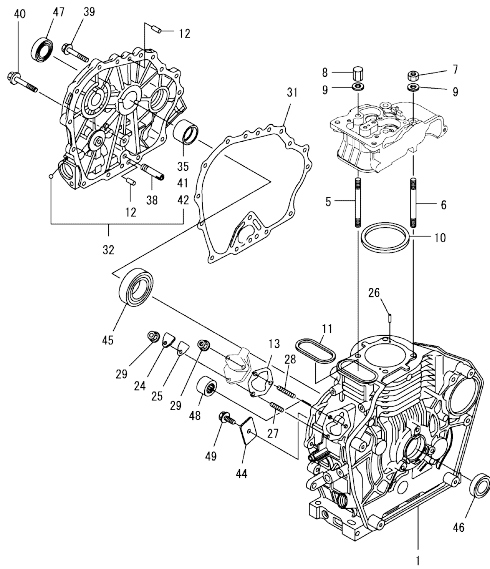
Published : July, 2018

Contents

0CC50-M01590

Fig. No.	Fig. Name	Fig. No.	Fig. Name
ENGINE			
1.	CYLINDER BLOCK		
2.	DRAIN PLUG		
3.	LABEL		
4.	CYLINDER HEAD & BONNET		
5.	SUCTION MANIFOLD		
6.	AIR CLEANER		
7.	EXHAUST MUFFLER		
8.	CAMSHAFT		
9.	CRANKSHAFT		
10.	FLYWHEEL		
11.	PISTON & CONNECTING ROD		
12.	BALANCER SHAFT		
13.	LUB. OIL PUMP & GOVERNOR		
14.	SWITCH CAP(OIL PRESSURE)		
15.	COVER		
16.	COOLING FAN CASE		
17.	FUEL INJECTION PUMP & FUEL INJECTION VALVE		
18.	CONTROL DEVICE		
19.	RECOIL STARTER		
20.	ACCESSORY		
21.	GASKET SET & TOOL		

Fig.1. CYLINDER BLOCK



(A)=L48N5FF1C1EA
(B)=
(C)=

(D)=
(E)=
(F)=

No.	Lev.	Parts No.	Description	Q'ty						I	R
				(A)	(B)	(C)	(D)	(E)	(F)		
1	1	114110-01020	BLOCK ASSY, CYLINDER	1							
5	1	114299-01200	BOLT, HEAD A	2							
6	1	114299-01210	BOLT, HEAD B	2							
7	1	114299-01220	NUT, CYLINDER HEAD A	2							
8	1	114299-01230	NUT, CYLINDER HEAD B	2							
9	1	124950-01250	WASHER, HEAD BOLT	4							
10	1	114295-01340	GASKET, HEAD T=0.5	1							
11	1	114299-01380	O-RING	1							
12	1	114299-01600	PIN, PARALLEL 8X12	2							
13	1	114299-01800	SHIM SET, PUMP	1							
24	1	114299-01830	COVER, PUMP	1							
25	1	114250-01841	GASKET, COVER	1							
26	1	22312-040080	PIN, PARALLEL M4X 8	2							
27	1	26226-060182	STUD, M6X 18	1							
28	1	26226-060222	STUD, M6X 22	2							
29	1	26366-060002	NUT, M6	3							
31	1	114299-01410	GASKET, CRANK CASE	1							
32	1	114299-01450	COVER, CRANK CASE D	1							
32-1	1	114111-01450	COVER, CRANK CASE D	1							N
		(A=2019.02)									
35	2	114250-02100	METAL, MAIN	1							1
35-1	2	114740-02110	BEARING, MAIN	1							N 1
		(A=2019.07)									
38	1	114299-35150	PIPE, OIL INLET	1							
39	1	26106-060252	BOLT, M6X 25 PLATED	14							
40	1	26106-080352	BOLT, M8X 35 PLATED	1							
41	1	114250-02200	METAL, MAIN 0.25 US	1							2
41-1	1	114740-02200	BEARING, MAIN 0.25OS	1							N 4
		(A=2019.07)									
42	1	114250-02210	METAL, MAIN 0.50 US	1							3
42-1	1	114740-02210	BEARING, MAIN 0.50OS	1							N 5
		(A=2019.07)									
44	1	114299-02030	RETAINER, BEARING	1							
45	1	114250-02113	BEARING, HR6306G3C3	1							
46	1	114299-02220	SEAL, OIL	1							
47	1	160210-02220	SEAL, OIL 25X41.2X8	1							
48	1	24162-152112	BEARING, 152112	1							
49	1	26106-080122	BOLT, M8X 12 PLATED	1							

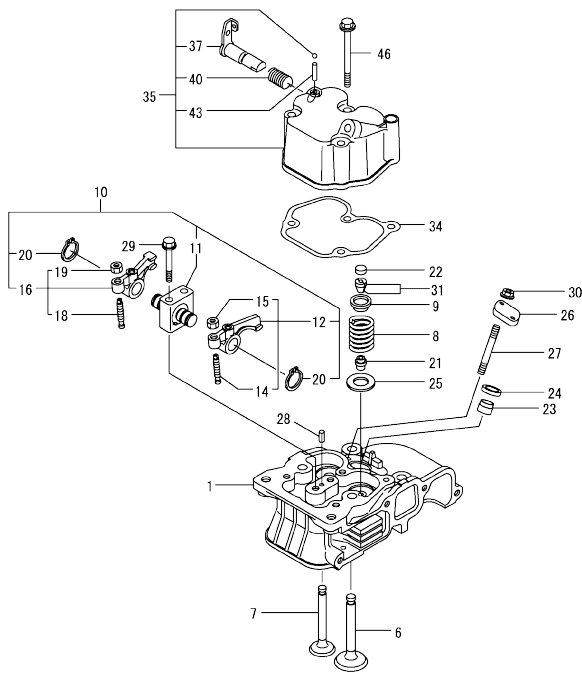
Remarks

- (1) Spare parts.
- (2) Under-sized (U.S.=0.25) parts.
- (3) Under-sized (U.S.=0.50) parts.
- (4) Over-sized (O.S.=0.25) parts.
- (5) Over-sized (O.S.=0.50) parts.

Fig.4. CYLINDER HEAD & BONNET

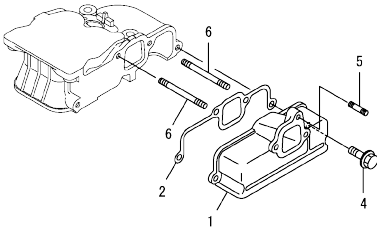
(A)=L48N5FF1C1EA
(B)=
(C)=

(D)=
(E)=
(F)=



No.	Lev.	Parts No.	Description	Q'ty						I	R
				(A)	(B)	(C)	(D)	(E)	(F)		
1	1	11429C-11030	HEAD ASSY, CYLINDER	1							
6	1	11429C-11100	VALVE, INTAKE	1							
7	1	11429C-11110	VALVE, EXHAUST	1							
8	1	114120-11120	SPRING, VALVE	2							
9	1	114250-11180	RETAINER, SPRING	2							
10	1	11429C-11250	SUPPORT ASSY, ROCKER	1							
11	2	11429C-11260	SUPPORT, ROCKER ARM	1							
12	2	11429C-11650	ARM ASSY, ROCKER INT	1							
14	3	114250-11240	SCREW, VALVE ADJUST	1							
15	3	26856-060002	NUT, M6	1							
16	2	11429C-11660	ARM ASSY, ROCKER EXH	1							
18	3	114250-11240	SCREW, VALVE ADJUST	1							
19	3	26856-060002	NUT, M6	1							
20	2	22242-000120	RING, 12	2							
21	1	114250-11341	SEAL, VALVE STEM	2							
22	1	119260-11370	CAP VALVE	2							
23	1	114240-11450	PROTECTOR, NOZZLE	1							
24	1	114240-11550	SEAT, NOZZLE	1							
25	1	114299-11600	WASHER, VALVE SPRING	2							
26	1	114299-11901	RETAINER, VALVE	1							
27	1	114110-11910	STUD, M6X65	2							
28	1	22351-040008	PIN, SPRING 4.0X 8	1							
29	1	26106-060452	BOLT, M6X 45 PLATED	2							
30	1	26366-060002	NUT, M6	2							
31	1	27310-055001	COTTER, 5.5	2							
34	1	114771-11310	GASKET, BONNET	1							
35	1	114295-11951	BONNET ASSY, HEAD	1							
37	2	114250-03591	LEVER ASSY, DECOMP	1							
40	2	114299-03640	SPRING, DECOMPRESSION	1							
43	2	22312-030160	PIN, PARALLEL M3X16	1							
46	1	26106-060552	BOLT, M6X 55 PLATED	3							

Fig.5. SUCTION MANIFOLD

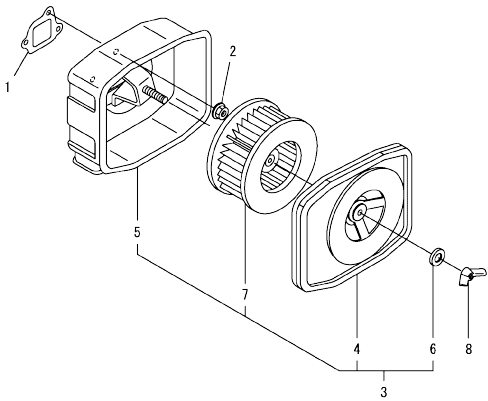


(A)=L48N5FF1C1EA
(B)=
(C)=

(D)=
(E)=
(F)=

No.	Lev.	Parts No.	Description	Q'ty					
				(A)	(B)	(C)	(D)	(E)	(F)
1	1	114771-12010	PIPE, AIR INTAKE A	1					
2	1	114771-12200	GASKET, INTAKE PIPE	1					
4	1	26106-060252	BOLT, M6X 25 PLATED	2					
5	1	26226-060142	STUD, M6X 14	1					
6	1	26226-060602	STUD, M6X 60	2					

Fig.6. AIR CLEANER

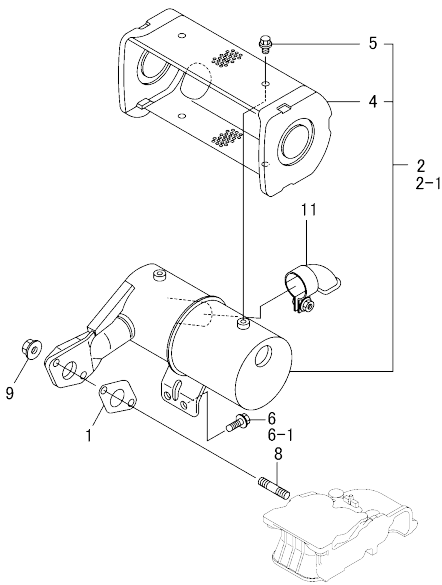


(A)=L48N5FF1C1EA
(B)=
(C)=

(D)=
(E)=
(F)=

No.	Lev.	Parts No.	Description	Q'ty						I	R
				(A)	(B)	(C)	(D)	(E)	(F)		
1	1	114299-12210	GASKET, AIR CLEANER	1							
2	1	114299-12300	NUT	3							
3	1	114120-12550	CLEANER ASSY, AIR	1							
3-1	1	114250-12570	CLEANER, AIR	1							R
		(A="2021.05)									
4	2	114250-12520	COVER, AIR CLEANER	1							
5	2	114250-12530	CASE ASSY, CLEANER	1							
6	2	114250-12560	WASHER, SEAL M6	1							
7	2	114250-12581	ELEMENT, AIR CLEANER	1							
8	1	114250-12550	NUT, WING M6	1							

Fig.7. EXHAUST MUFFLER



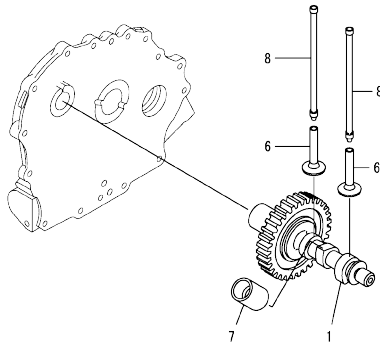
(A)=L48N5FF1C1EA
(B)=
(C)=

(D)=
(E)=
(F)=

No.	Lev.	Parts No.	Description	Q'ty						I	R
				(A)	(B)	(C)	(D)	(E)	(F)		
1	1	114299-13200	GASKET, MUFFLER	1							
2	1	11429C-13500	MUFFLER ASSY, E-D	1							
2-1	1	11429C-13510	MUFFLER ASSY, E-D	1							S
(A=2021.06)											
4	2	11429C-13700	COVER	1							
5	2	11431C-13720	BOLT, M6	4							
6	1	26106-060142	BOLT, M6X 14 PLATED	2							
6-1	1	26106-080162	BOLT, M8X 16 PLATED	2							S
(A=2021.06)											
8	1	26216-080182	STUD, M8X 18	2							
9	1	26306-080002	NUT, M8	2							
11	1	114299-13800	EXTENSION ASSY	1							

OCC50-M01590 ENGINE
 Fig.8. CAMSHAFT

OCC50-M01590 Fig.8

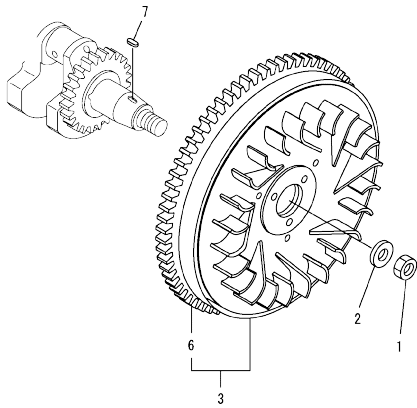


No.	Lev.	Parts No.	Description	Q'ty					
				(A)	(B)	(C)	(D)	(E)	(F)
1	1	11429C-14580	CAMSHAFT ASSY	1					
6	1	114299-14200	TAPPET	2					
7	1	114771-14260	TAPPET	1					
8	1	114250-14451	ROD ASSY, PUSH	2					

(A)=L48N5FF1C1EA
 (B)=
 (C)=

(D)=
 (E)=
 (F)=

OCC50-M01590 ENGINE
 Fig.10. FLYWHEEL



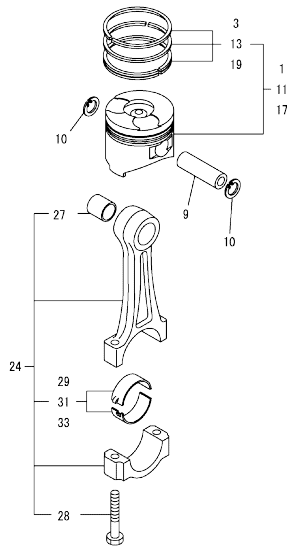
OCC50-M01590 Fig.10

(A)=L48N5FF1C1EA
 (B)=
 (C)=

(D)=
 (E)=
 (F)=

No.	Lev.	Parts No.	Description	Q'ty					
				(A)	(B)	(C)	(D)	(E)	(F)
1	1	114299-21220	NUT, WHEEL	1					
2	1	114299-21550	WASHER, FLYWHEEL	1					
3	1	114299-21590	FLYWHEEL ASSY, DE	1					
6	2	114299-21600	GEAR, RING	1					
7	1	22512-040120	KEY, 4X 12	1					

Fig.11. PISTON & CONNECTING ROD



(A)=L48N5FF1C1EA
(B)=
(C)=

(D)=
(E)=
(F)=

No.	Lev.	Parts No.	Description	Q'ty						I	R
				(A)	(B)	(C)	(D)	(E)	(F)		
1	1	714120-22720	PISTON ASSY, D	1							
3	2	714295-22500	RING SET, PISTON	1							
9	1	114299-22300	PIN, PISTON D=19	1							
10	1	22252-000190	RING, 19	2							
11	1	714120-22630	PISTON ASSY, 0.25 OS	1							1
13	2	714295-22560	RING SET, PISTON .25	1							1
17	1	714120-22590	PISTON ASSY, 0.50 OS	1							2
19	2	714295-22570	RING SET, PISTON .50	1							2
24	1	71429C-23010	ROD ASSY, CONNECTING	1							
24-1	1	11412C-23700	ROD ASSY, CONNECTING	1							N
		(A=2019.02)									
27	3	114770-23100	BEARING, PISTON PIN	1							
27-1	3	114740-23100	BUSH, PISTON PIN	1							N
		(A=2019.02)									
28	3	114110-23200	BOLT, CONNECTING ROD	2							
29	2	714770-23600	METAL ASSY, CRANK PIN	1							
29-1	2	114740-23600	METAL, CRANK PIN	1							N
		(A=2019.10)									
31	1	714770-23610	METAL ASSY, PIN .25	1							3
31-1	1	114740-23610	METAL, CRANK PIN 0.25	1							N 1
		(A=2019.10)									
33	1	714770-23620	METAL ASSY, PIN .50	1							4
33-1	1	114740-23620	METAL, CRANK PIN 0.50	1							N 2
		(A=2019.10)									

Remarks

- (1)Over-sized(O.S.=0.25) parts.
- (2)Over-sized(O.S.=0.50) parts.
- (3)Under-sized(U.S.=0.25) parts.
- (4)Under-sized(U.S.=0.50) parts.

Fig.12. BALANCER SHAFT

(A)=L48N5FF1C1EA
(B)=
(C)=

(D)=
(E)=
(F)=

No.	Lev.	Parts No.	Description	Q'ty					
				(A)	(B)	(C)	(D)	(E)	(F)
1	1	714770-28531	SHAFT ASSY, BALANCER	1					
6	1	24101-062020	BEARING, BALL 6202C3	2					

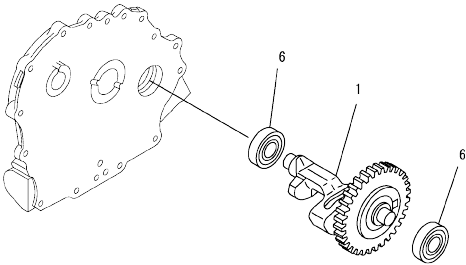
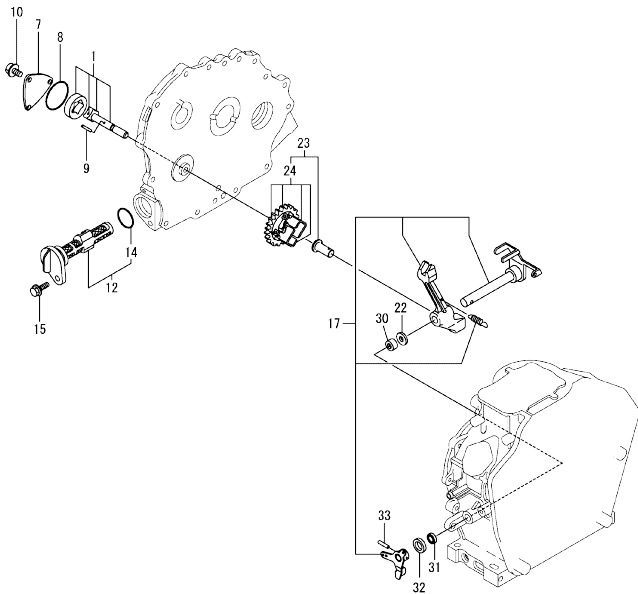


Fig.13. LUB. OIL PUMP & GOVERNOR



(A)=L48N5FF1C1EA
(B)=
(C)=

(D)=
(E)=
(F)=

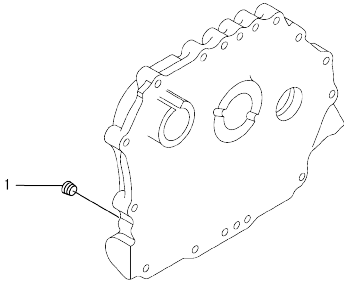
No.	Lev.	Parts No.	Description	Q'ty						I	R
				(A)	(B)	(C)	(D)	(E)	(F)		
1	1	114250-32010	PUMP ASSY, OIL	1							
7	1	114299-32070	COVER, OIL PUMP	1							
8	1	114299-32570	O-RING, PUMP COVER	1							
9	1	22312-030160	PIN, PARALLEL M3X16	1							
10	1	26106-060122	BOLT, M6X 12 PLATED	3							
12	1	114299-35110	FILTER ASSY, OIL	1							
14	2	24341-000224	O-RING, 1AS22.4	1							
15	1	26106-060162	BOLT, M6X 16 PLATED	1							
17	1	114295-61170	LEVER, GOVERNOR NO.2	1							1
22	1	114299-61190	WASHER, GOVERNOR	1							
23	1	114299-61700	GOVERNOR ASSY	1							
24	2	114299-61210	WEIGHT ASSY, GOVERNOR	1							
30	1	114770-61520	BEARING, NEEDLE	2							
31	1	114299-61600	SEAL, OIL	1							
32	1	114770-61610	WASHER, THRUST	1							
33	1	22322-030200	PIN, TAPER 3X20	1							

Remarks

(1) On a guarantee of quality, component parts shall not be sold.

OCC50-M01590 ENGINE

Fig.14. SWITCH CAP(OIL PRESSURE)



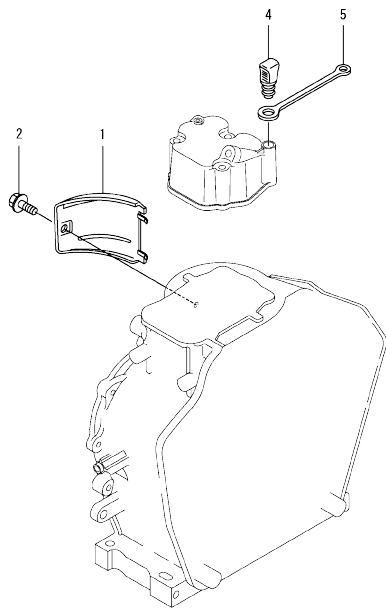
OCC50-M01590 Fig.14

(A)=L48N5FF1C1EA
(B)=
(C)=

(D)=
(E)=
(F)=

No.	Lev.	Parts No.	Description	Qty						I	R
				(A)	(B)	(C)	(D)	(E)	(F)		
1	1	23876-010000	PLUG, R01	1							

OCC50-M01590 ENGINE
 Fig.15. COVER



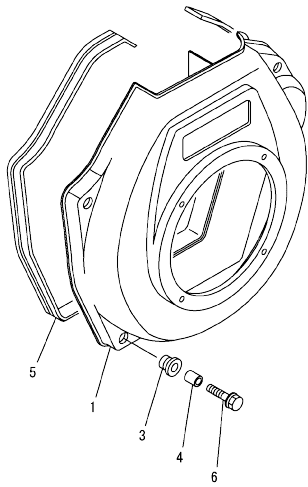
OCC50-M01590 Fig.15

(A)=L48N5FF1C1EA
 (B)=
 (C)=

(D)=
 (E)=
 (F)=

No.	Lev.	Parts No.	Description	Q'ty					
				(A)	(B)	(C)	(D)	(E)	(F)
1	1	114299-45210	COVER, CYLINDER	1					
2	1	26106-060122	BOLT, M6X 12 PLATED	1					
4	1	114299-76600	PLUNGER, START	1					
5	1	114299-76610	HOLDER, PLUNGER	1					

Fig.16. COOLING FAN CASE

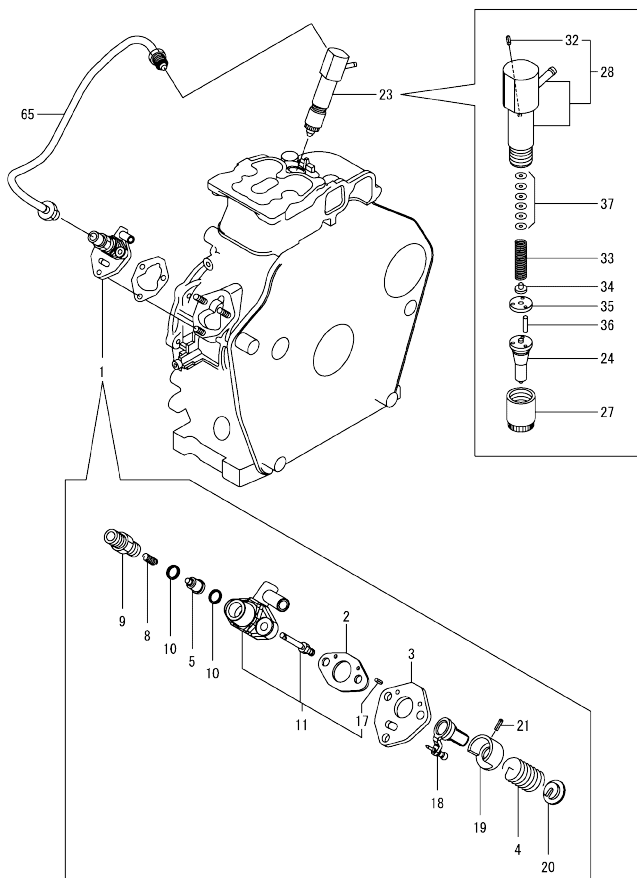


(A)=L48N5FF1C1EA
(B)=
(C)=

(D)=
(E)=
(F)=

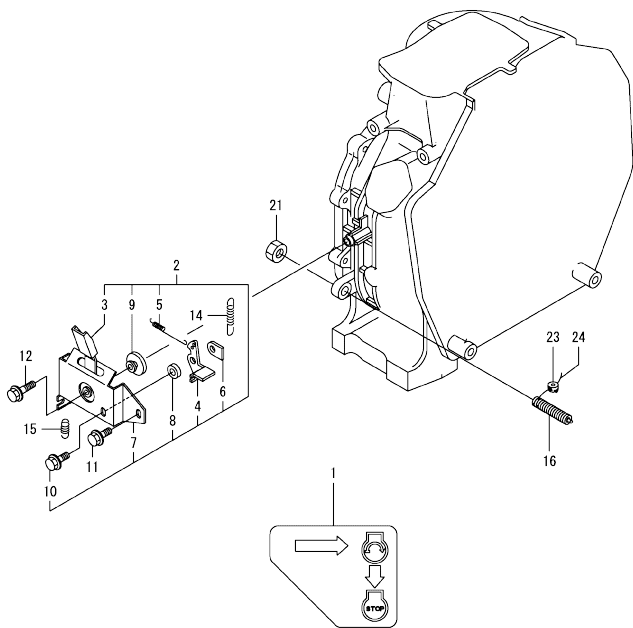
No.	Lev.	Parts No.	Description	Q'ty						I	R
				(A)	(B)	(C)	(D)	(E)	(F)		
1	1	114295-45150	CASE, COOLING FAN	1							
3	1	114299-45301	RUBBER, FAN CASE	4							
4	1	114299-45310	COLLAR, FAN CASE	4							
5	1	114120-45330	SEAL, FAN CASE	1							
6	1	114299-45350	BOLT, FAN CASE	4							

Fig.17. FUEL INJECTION PUMP & FUEL INJECTION VALVE



No.	Lev.	Parts No.	Description	Q'ty					
				(A)	(B)	(C)	(D)	(E)	(F)
1	1	714139-51210	PUMP ASSY, INJECTION	1					
2	2	105546-51020	GASKET, PUMP BODY	1					
3	2	114250-51080	PLATE	1					
4	2	114250-51160	SPRING, PLUNGER	1					
5	2	114250-51300	VALVE ASSY, DELIVERY	1					
8	2	105546-51330	SPRING, DELIVERY	1					
9	2	114250-51340	HOLDER, DELIVERY	1					
10	2	124550-51350	GASKET, DELIVERY	2					
11	2	114350-51200	BODY ASSY, PUMP	1					
17	4	22351-020006	PIN, SPRING 2.0X 6	2					
18	2	114250-51500	LEVER, CONTROL	1					
19	2	114250-51640	SEAT, SPRING A	1					
20	2	114250-51650	SEAT, SPRING B	1					
21	2	22351-030008	PIN, SPRING 3.0X 8	1					
23	1	714139-53200	VALVE ASSY, INJECTION	1					
24	2	114139-53200	VALVE ASSY, INJECTION	1					
27	2	114250-53080	NUT, NOZZLE	1					
28	2	114139-53100	HOLDER ASSY, NOZZLE	1					
32	3	22351-025005	PIN, SPRING 2.5X 6	1					
33	2	114250-53120	SPRING, NOZZLE	1					
34	2	114250-53130	SEAT, SPRING	1					
35	2	114250-53140	SPACER, VALVE STOP	1					
36	2	114250-53210	PIN, POSITIONING	2					
37	2	119803-53400	SHIM SET	1					
65	1	114120-59800	PIPE ASSY, INJECTION	1					

Fig.18. CONTROL DEVICE

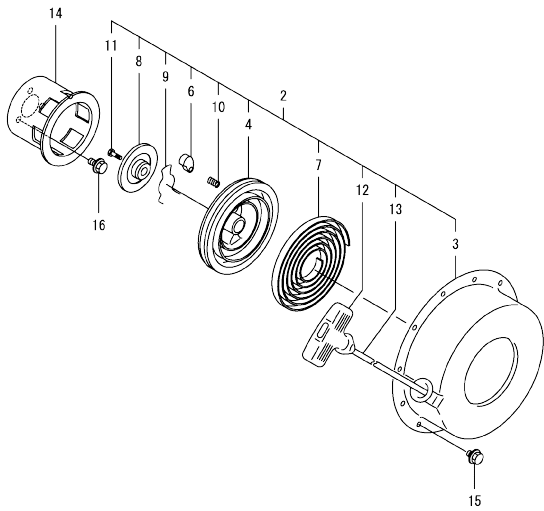


(A)=L48N5FF1C1EA
(B)=
(C)=

(D)=
(E)=
(F)=

No.	Lev.	Parts No.	Description	Q'ty						I	R
				(A)	(B)	(C)	(D)	(E)	(F)		
1	1	114220-07151	LABEL, CONSTANT SPEE	1							
2	1	114210-66511	BRACKET ASSY, HANDLE	1							
3	2	114210-66300	HANDLE, REGULATOR	1							
4	2	183250-66321	LEVER, LOCK	1							
5	2	114210-66330	SPRING, LOCK LEVER	1							
6	2	183250-66341	NUT, DETENT M6	1							
7	2	114210-66350	BRACKET, HANDLE	1							
8	2	183250-66361	COLLAR, LOCK LEVER	1							
9	2	183250-66371	COLLAR, LEVER	1							
10	2	26106-060162	BOLT, M6X 16 PLATED	1							
11	1	26106-060142	BOLT, M6X 14 PLATED	1							
12	1	26106-060202	BOLT, M6X 20 PLATED	1							
14	1	114770-66010	SPRING, REGULATOR	1							
15	1	114299-66201	SPRING, RETURN	1							
16	1	114211-66600	LIMITER ASSY, FUEL	1							
21	1	26776-100002	NUT, LOCK M10	1							
23	1	114780-61090	TIN	1							
24	1	22451-060000	WIRE, 0.6	1							

Fig.19. RECOIL STARTER



(A)=L48N5FF1C1EA
(B)=
(C)=

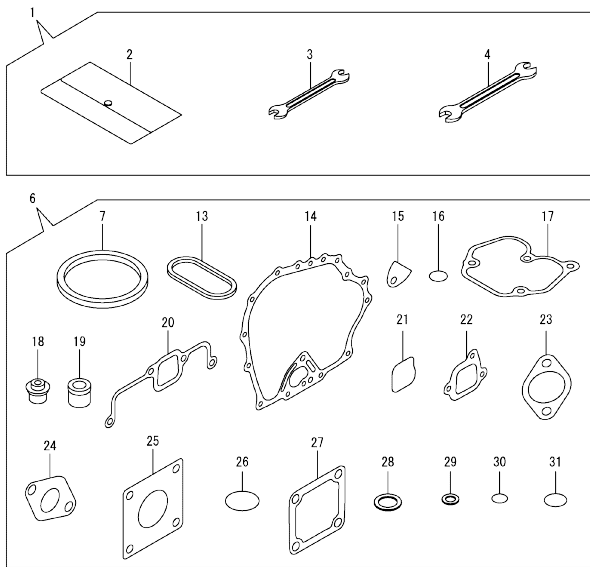
(D)=
(E)=
(F)=

No.	Lev.	Parts No.	Description	Q'ty					
				(A)	(B)	(C)	(D)	(E)	(F)
2	2	114299-76250	STARTER ASSY, RECOIL	1					
3	3	114299-76500	CASE, STARTER	1					
4	3	114299-76521	REEL, RECOIL STARTER	1					
6	3	114399-76531	RATCHET	1					
7	3	114399-76540	SPRING, SPIRAL	1					
8	3	114399-76550	COVER, RATCHET	1					
9	3	114399-76560	SPRING	1					
10	3	114399-76570	SPRING, RETURN	1					
11	3	114399-76580	SCREW	1					
12	3	114399-76620	KNOB, STARTER	1					
13	3	114299-76630	ROPE, STARTER	1					
14	2	114299-76590	PULLEY, STARTER	1					
15	1	26106-060082	BOLT, M6X 8 PLATED	4					
16	1	26106-060122	BOLT, M6X 12 PLATED	3					

Fig.21. GASKET SET & TOOL

(A)=L48N5FF1C1EA
(B)=
(C)=

(D)=
(E)=
(F)=



No.	Lev.	Parts No.	Description	Q'ty						I	R
				(A)	(B)	(C)	(D)	(E)	(F)		
1	1	114299-92590	TOOL ASSY	1							
2	2	114299-92600	BAG, TOOL	1							
3	2	114299-92710	WRENCH	1							
4	2	114299-92720	WRENCH	1							
6	1	114120-92600	GASKET SET	1							1
7	2	114295-01330	GASKET, HEAD	1							
13	2	114299-01380	O-RING	1							
14	2	114299-01410	GASKET, CRANK CASE	1							
15	2	114250-01841	GASKET, COVER	1							
16	2	114299-01950	O-RING, 18	2							
17	2	114771-11310	GASKET, BONNET	1							
18	2	114250-11341	SEAL, VALVE STEM	2							
19	2	114771-11461	GASKET, NOZZLE	1							
20	2	114771-12200	GASKET, INTAKE PIPE	1							
21	2	114288-12210	O-RING, SUCTION PIPE	1							
22	2	114299-12210	GASKET, AIR CLEANER	2							
23	2	114299-12920	GASKET, AIR CLEANER	1							
24	2	114299-13200	GASKET, MUFFLER	1							
25	2	114299-21980	GASKET, OIL SEAL	1							
26	2	114299-32570	O-RING, PUMP COVER	1							
27	2	129100-77510	GASKET, AIR HEATER	3							
28	2	22190-160002	WASHER, SEAL 16	2							
29	2	23414-080000	GASKET, 8X1.0	1							
30	2	24341-000150	O-RING, 1AS15.0	1							
31	2	24341-000224	O-RING, 1AS22.4	1							

Remarks
(1)Optional parts.

Parts No. Index

Parts No.	Fig. No.	Ref. No.
105546-51020	17	2
105546-51330	17	8
114110-01020	1	1
114110-11910	4	27
114110-23200	11	28
114111-01450	1	32 -1
114120-11120	4	8
114120-12550	6	3
114120-21760	9	1
114120-45330	16	5
114120-59800	17	65
114120-92600	21	6
11412C-23700	11	24 -1
114139-53100	17	28
114139-53200	17	24
114210-66300	18	3
114210-66330	18	5
114210-66350	18	7
114210-66511	18	2
114211-66600	18	16
114220-07130	3	6
114220-07151	3	7
	18	1
114240-11450	4	23
114240-11550	4	24
114250-01841	1	25
	21	15
114250-02100	1	35
114250-02113	1	45
114250-02200	1	41
114250-02210	1	42
114250-03591	4	37
114250-11180	4	9
114250-11240	4	14
	18	
114250-11341	4	21
	21	18
114250-12520	6	4
114250-12530	6	5
114250-12550	6	8
114250-12560	6	6
114250-12570	6	3 -1
114250-12581	6	7
114250-14451	8	8
114250-32010	13	1
114250-51080	17	3
114250-51160	17	4
114250-51300	17	5
114250-51340	17	9
114250-51500	17	18

Parts No.	Fig. No.	Ref. No.
114250-51640	17	19
114250-51650	17	20
114250-53080	17	27
114250-53120	17	33
114250-53130	17	34
114250-53140	17	35
114250-53210	17	36
114288-12210	21	21
114295-01330	21	7
114295-01340	1	10
114295-11951	4	35
114295-45150	16	1
114295-61170	13	17
114299-01200	1	5
114299-01210	1	6
114299-01220	1	7
114299-01230	1	8
114299-01380	1	11
	21	13
114299-01410	1	31
	21	14
114299-01450	1	32
114299-01600	1	12
114299-01690	2	1
114299-01760	2	2
114299-01800	1	13
114299-01830	1	24
114299-01950	2	4
	21	16
114299-02030	1	44
114299-02220	1	46
114299-03640	4	40
114299-07111	3	2
114299-07160	3	3
114299-11600	4	25
114299-11901	4	26
114299-12210	6	1
	21	22
114299-12300	6	2
114299-12920	21	23
114299-13200	7	1
	21	24
114299-13800	7	11
114299-14200	8	6
114299-21220	10	1
114299-21550	10	2
114299-21590	10	3
114299-21600	10	6
114299-21980	21	25
114299-22300	11	9

Parts No.	Fig. No.	Ref. No.
114299-32070	13	7
114299-32570	13	8
	21	26
114299-35110	13	12
114299-35150	1	38
114299-45210	15	1
114299-45301	16	3
114299-45310	16	4
114299-45350	16	6
114299-59850	20	1
114299-61190	13	22
114299-61210	13	24
114299-61600	13	31
114299-61700	13	23
114299-66201	18	15
114299-76250	19	2
114299-76500	19	3
114299-76521	19	4
114299-76590	19	14
114299-76600	15	4
114299-76610	15	5
114299-76630	19	13
114299-92590	21	1
114299-92600	21	2
114299-92710	21	3
114299-92720	21	4
11429C-11030	4	1
11429C-11100	4	6
11429C-11110	4	7
11429C-11250	4	10
11429C-11260	4	11
11429C-11650	4	12
11429C-11660	4	16
11429C-13500	7	2
11429C-13510	7	2 -1
11429C-13700	7	4
11429C-14580	8	1
11431C-13720	7	5
114350-51200	17	11
114399-01700	2	7
114399-76531	19	6
114399-76540	19	7
114399-76550	19	8
114399-76560	19	9
114399-76570	19	10
114399-76580	19	11
114399-76620	19	12
114740-02110	1	35 -1
114740-02200	1	41 -1
114740-02210	1	42 -1

Parts No.	Fig. No.	Ref. No.
114740-23100	11	27 -1
114740-23600	11	29 -1
114740-23610	11	31 -1
114740-23620	11	33 -1
114770-23100	11	27
114770-61520	13	30
114770-61610	13	32
114770-66010	18	14
114771-11310	4	34
	21	17
114771-11461	21	19
114771-12010	5	1
114771-12200	5	2
	21	20
114771-14260	8	7
114780-61090	18	23
119260-11370	4	22
119803-53400	17	37
124550-51350	17	10
124950-01250	1	9
129100-77510	21	27
160210-02220	1	47
183250-66321	18	4
183250-66341	18	6
183250-66361	18	8
183250-66371	18	9
22190-160002	2	5
	21	28
22242-000120	4	20
22252-000190	11	10
22312-030160	4	43
	13	9
22312-040080	1	26
22322-030200	13	33
22351-020006	17	17
22351-025005	17	32
22351-030008	17	21
22351-040008	4	28
22451-060000	18	24
22512-040120	10	7
23414-080000	21	29
23876-010000	14	1
24101-062020	12	6
24162-152112	1	48
24341-000150	21	30
24341-000224	13	14
	21	31
26106-060082	19	15
26106-060122	13	10
	15	2

Parts No. Index

Parts No.	Fig. No.	Ref. No.
26106-060122	19	16
26106-060142	7	6
	18	11
26106-060162	13	15
	18	10
26106-060202	18	12
26106-060252	1	39
	5	4
26106-060452	4	29
26106-060552	4	46
26106-080122	1	49
26106-080162	7	6 -1
26106-080352	1	40
26106-100122	2	8
26216-080182	7	8
26226-060142	5	5
26226-060182	1	27
26226-060222	1	28
26226-060602	5	6
26306-080002	7	9
26366-060002	1	29
	4	30
26776-100002	18	21
26856-060002	4	15
		19
27310-055001	4	31
714120-22590	11	17
714120-22630	11	11
714120-22720	11	1
714139-51210	17	1
714139-53200	17	23
714295-22500	11	3
714295-22560	11	13
714295-22570	11	19
71429C-23010	11	24
714770-23600	11	29
714770-23610	11	31
714770-23620	11	33
714770-28531	12	1

Parts No.	Fig. No.	Ref. No.
-----------	----------	----------

Parts No.	Fig. No.	Ref. No.
-----------	----------	----------

Parts No.	Fig. No.	Ref. No.
-----------	----------	----------