

0CC50-M00220EN

P R E F A C E

This parts catalog is the 1st edition of L48N5CF1C1AA for IMER.

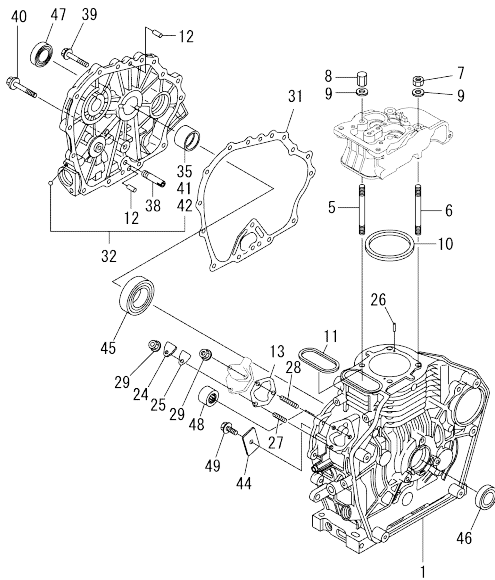
Published : November, 2014

Contents

0CC50-M00220

| Fig. No. | Fig. Name | Fig. No. | Fig. Name |
|----------|--|----------|-----------|
| ENGINE | | | |
| 1. | CYLINDER BLOCK | | |
| 2. | DRAIN PLUG | | |
| 3. | LABEL | | |
| 4. | CYLINDER HEAD & BONNET | | |
| 5. | INTAKE MANIHOLD | | |
| 6. | AIR CLEANER | | |
| 7. | EXHAUST MUFFLER | | |
| 8. | CAMSHAFT | | |
| 9. | CRANKSHAFT | | |
| 10. | FLYWHEEL | | |
| 11. | PISTON & CONNECTING ROD | | |
| 12. | BALANCER SHAFT | | |
| 13. | LUB. OIL PUMP & GOVERNOR | | |
| 14. | OIL PRESSURE SWITCH CAP | | |
| 15. | COVER | | |
| 16. | COOLING FAN CASE | | |
| 17. | FUEL INJECTION PUMP & FUEL INJECTION VALVE | | |
| 18. | FUEL TANK & FUEL PIPE | | |
| 19. | SPEED CONTROL DEVICE | | |
| 20. | RECOIL STARTER | | |
| 21. | GASKET SET | | |

Fig.1. CYLINDER BLOCK



(A)=L48N5CF1C1AA
(B)=
(C)=

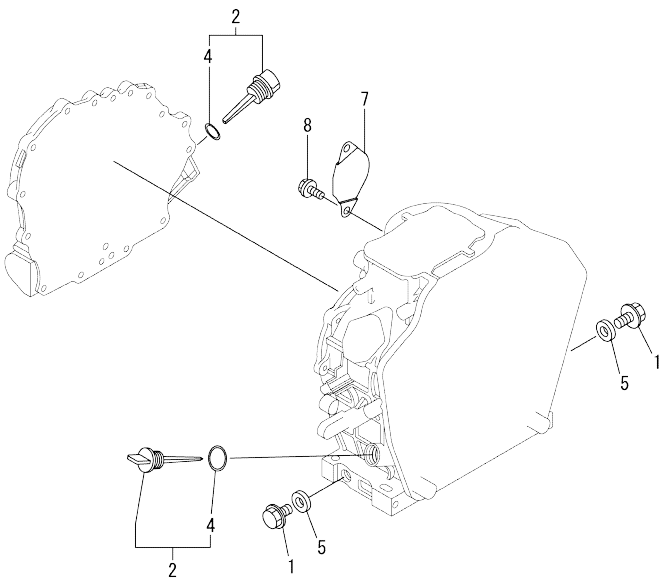
(D)=
(E)=
(F)=

| No. | Lev. | Parts No. | Description | Q'ty | | | | | | I | R |
|------|------|--------------|----------------------|------|-----|-----|-----|-----|-----|---|-----|
| | | | | (A) | (B) | (C) | (D) | (E) | (F) | | |
| 1 | 1 | 114110-01020 | BLOCK ASSY, CYLINDER | 1 | | | | | | | |
| 5 | 1 | 114299-01200 | BOLT, HEAD A | 2 | | | | | | | |
| 6 | 1 | 114299-01210 | BOLT, HEAD B | 2 | | | | | | | |
| 7 | 1 | 114299-01220 | NUT, CYLINDER HEAD A | 2 | | | | | | | |
| 8 | 1 | 114299-01230 | NUT, CYLINDER HEAD B | 2 | | | | | | | |
| 9 | 1 | 124950-01250 | WASHER, HEAD BOLT | 4 | | | | | | | |
| 10 | 1 | 114295-01340 | GASKET, HEAD T=0.5 | 1 | | | | | | | |
| 11 | 1 | 114299-01380 | O-RING | 1 | | | | | | | |
| 12 | 1 | 114299-01600 | PIN, PARALLEL 8X12 | 2 | | | | | | | |
| 13 | 1 | 114299-01800 | SHIM SET, PUMP | 1 | | | | | | | |
| 24 | 1 | 114299-01830 | COVER, PUMP | 1 | | | | | | | |
| 25 | 1 | 114250-01841 | GASKET, COVER | 1 | | | | | | | |
| 26 | 1 | 22312-040080 | PIN, PARALLEL M4X 8 | 2 | | | | | | | |
| 27 | 1 | 26226-060182 | STUD, M6X 18 | 1 | | | | | | | |
| 28 | 1 | 26226-060222 | STUD, M6X 22 | 2 | | | | | | | |
| 29 | 1 | 26366-060002 | NUT, M6 | 3 | | | | | | | |
| 31 | 1 | 114299-01410 | GASKET, CRANK CASE | 1 | | | | | | | |
| 32 | 1 | 114299-01450 | COVER, CRANK CASE D | 1 | | | | | | | |
| 32-1 | 1 | 114111-01450 | COVER, CRANK CASE D | 1 | | | | | | | N |
| | | (A=2019.02) | | | | | | | | | |
| 35 | 2 | 114250-02100 | METAL, MAIN | 1 | | | | | | | 1 |
| 35-1 | 2 | 114740-02110 | BEARING, MAIN | 1 | | | | | | | N 1 |
| | | (A=2019.07) | | | | | | | | | |
| 38 | 1 | 114299-35150 | PIPE, OIL INLET | 1 | | | | | | | |
| 39 | 1 | 26106-060252 | BOLT, M6X 25 PLATED | 14 | | | | | | | |
| 40 | 1 | 26106-080352 | BOLT, M8X 35 PLATED | 1 | | | | | | | |
| 41 | 1 | 114250-02200 | METAL, MAIN 0.25 US | 1 | | | | | | | 2 |
| 41-1 | 1 | 114740-02200 | BEARING, MAIN 0.25OS | 1 | | | | | | | N 4 |
| | | (A=2019.07) | | | | | | | | | |
| 42 | 1 | 114250-02210 | METAL, MAIN 0.50 US | 1 | | | | | | | 3 |
| 42-1 | 1 | 114740-02210 | BEARING, MAIN 0.50OS | 1 | | | | | | | N 5 |
| | | (A=2019.07) | | | | | | | | | |
| 44 | 1 | 114299-02030 | RETAINER, BEARING | 1 | | | | | | | |
| 45 | 1 | 114250-02113 | BEARING, HR6306G3C3 | 1 | | | | | | | |
| 46 | 1 | 114299-02220 | SEAL, OIL | 1 | | | | | | | |
| 47 | 1 | 160210-02220 | SEAL, OIL 25X41.2X8 | 1 | | | | | | | |
| 48 | 1 | 24162-152112 | BEARING, 152112 | 1 | | | | | | | |
| 49 | 1 | 26106-080122 | BOLT, M8X 12 PLATED | 1 | | | | | | | |

Remarks

- (1) Spare parts.
- (2) Under-sized (U.S.=0.25) parts.
- (3) Under-sized (U.S.=0.50) parts.
- (4) Over-sized (O.S.=0.25) parts.
- (5) Over-sized (O.S.=0.50) parts.

OCC50-M00220 ENGINE
 Fig.2. DRAIN PLUG



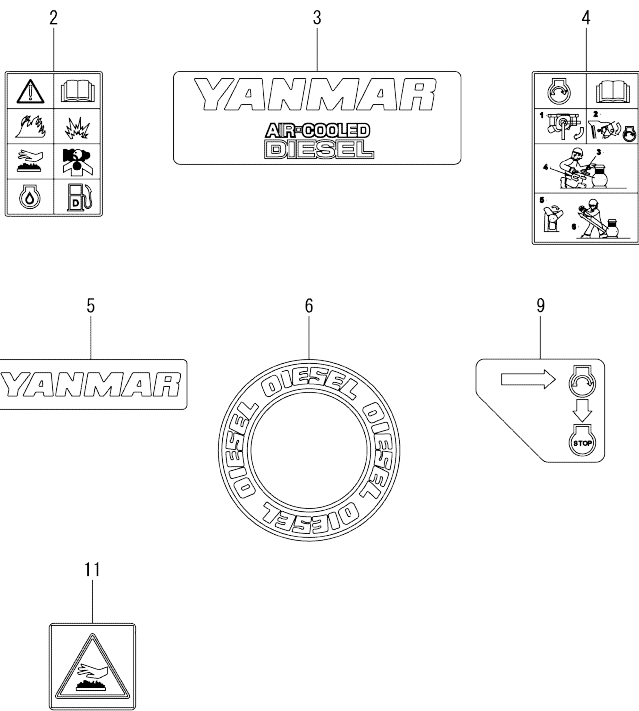
OCC50-M00220 Fig.2

(A)=L48N5CF1C1AA
 (B)=
 (C)=

(D)=
 (E)=
 (F)=

| No. | Lev. | Parts No. | Description | Q'ty | | | | | | I | R |
|-----|------|--------------|----------------------|------|-----|-----|-----|-----|-----|---|---|
| | | | | (A) | (B) | (C) | (D) | (E) | (F) | | |
| 1 | 1 | 114299-01690 | PLUG M16 | 2 | | | | | | | |
| 2 | 1 | 114299-01760 | CAP ASSY | 2 | | | | | | | |
| 4 | 2 | 114299-01950 | O-RING, 18 | 2 | | | | | | | |
| 5 | 1 | 22190-160002 | WASHER, SEAL 16 | 2 | | | | | | | |
| 7 | 1 | 114399-01700 | COVER, STARTER | 1 | | | | | | | |
| 8 | 1 | 26106-100122 | BOLT, M10X 12 PLATED | 2 | | | | | | | |

Fig.3. LABEL

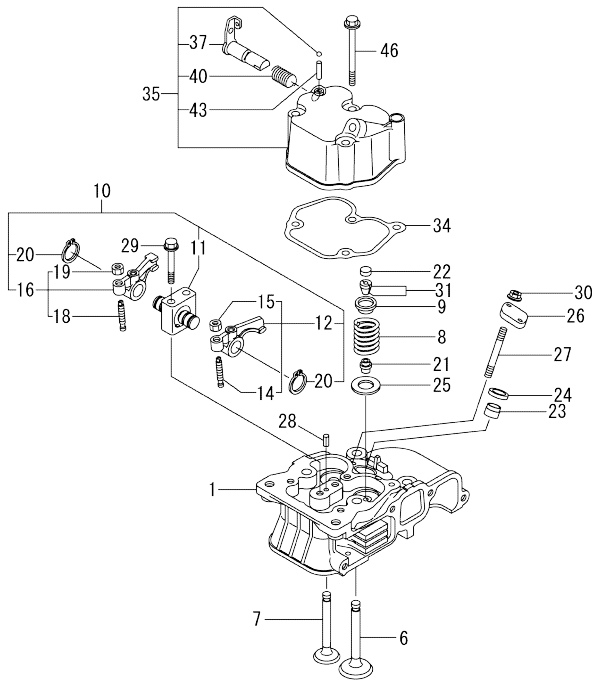


(A)=L48N5CF1C1AA
(B)=
(C)=

(D)=
(E)=
(F)=

| No. | Lev. | Parts No. | Description | Q'ty | | | | | |
|-----|------|--------------|----------------------|------|-----|-----|-----|-----|-----|
| | | | | (A) | (B) | (C) | (D) | (E) | (F) |
| 2 | 1 | 114220-07100 | LABEL, CAUTION | 1 | | | | | |
| 3 | 1 | 114299-07101 | LABEL, YANMAR MARK A | 1 | | | | | |
| 4 | 1 | 114220-07110 | LABEL HOW TO START-E | 1 | | | | | |
| 5 | 1 | 114299-07111 | LABEL, YANMAR MARK B | 1 | | | | | |
| 6 | 1 | 114299-07160 | LABEL, DIESEL | 1 | | | | | |
| 9 | 1 | 114220-07151 | LABEL, CONSTANT SPEE | 1 | | | | | |
| 11 | 1 | 114220-07130 | LABEL, HOT SURFACE | 1 | | | | | |

Fig.4. CYLINDER HEAD & BONNET



(A)=L48N5CF1C1AA
(B)=
(C)=

(D)=
(E)=
(F)=

| No. | Lev. | Parts No. | Description | Qty | | | | | | I | R |
|-----|------|--------------|-----------------------|-----|-----|-----|-----|-----|-----|---|---|
| | | | | (A) | (B) | (C) | (D) | (E) | (F) | | |
| 1 | 1 | 11429C-11030 | HEAD ASSY, CYLINDER | 1 | | | | | | | |
| 6 | 1 | 11429C-11100 | VALVE, INTAKE | 1 | | | | | | | |
| 7 | 1 | 11429C-11110 | VALVE, EXHAUST | 1 | | | | | | | |
| 8 | 1 | 114120-11120 | SPRING, VALVE | 2 | | | | | | | |
| 9 | 1 | 114250-11180 | RETAINER, SPRING | 2 | | | | | | | |
| 10 | 1 | 11429C-11250 | SUPPORT ASSY, ARM | 1 | | | | | | | |
| 11 | 2 | 11429C-11260 | SUPPORT, ROCKER ARM | 1 | | | | | | | |
| 12 | 2 | 11429C-11650 | ARM ASSY, ROCKER | 1 | | | | | | | |
| 14 | 3 | 114250-11240 | SCREW, VALVE ADJUST | 1 | | | | | | | |
| 15 | 3 | 26856-060002 | NUT, M6 | 1 | | | | | | | |
| 16 | 2 | 11429C-11660 | ARM ASSY, ROCKER | 1 | | | | | | | |
| 18 | 3 | 114250-11240 | SCREW, VALVE ADJUST | 1 | | | | | | | |
| 19 | 3 | 26856-060002 | NUT, M6 | 1 | | | | | | | |
| 20 | 2 | 22242-000120 | RING, 12 | 2 | | | | | | | |
| 21 | 1 | 114250-11341 | SEAL, VALVE STEM | 2 | | | | | | | |
| 22 | 1 | 119260-11370 | CAP VALVE | 2 | | | | | | | |
| 23 | 1 | 114240-11450 | PROTECTOR, NOZZLE | 1 | | | | | | | |
| 24 | 1 | 114240-11550 | SEAT, NOZZLE | 1 | | | | | | | |
| 25 | 1 | 114299-11600 | WASHER, VALVE SPRING | 2 | | | | | | | |
| 26 | 1 | 114299-11901 | RETAINER, NOZZLE | 1 | | | | | | | |
| 27 | 1 | 114110-11910 | STUD, M6X65 | 2 | | | | | | | |
| 28 | 1 | 22351-040008 | PIN, SPRING 4.0X 8 | 1 | | | | | | | |
| 29 | 1 | 26106-060452 | BOLT, M6X 45 PLATED | 2 | | | | | | | |
| 30 | 1 | 26366-060002 | NUT, M6 | 2 | | | | | | | |
| 31 | 1 | 27310-055001 | COTTER, 5.5 | 2 | | | | | | | |
| 34 | 1 | 114771-11310 | GASKET, BONNET | 1 | | | | | | | |
| 35 | 1 | 114295-11951 | BONNET ASSY, HEAD | 1 | | | | | | | |
| 37 | 2 | 114250-03591 | LEVER ASSY | 1 | | | | | | | |
| 40 | 2 | 114299-03640 | SPRING, DECOMPRESSION | 1 | | | | | | | |
| 43 | 2 | 22312-030160 | PIN, PARALLEL M3X16 | 1 | | | | | | | |
| 46 | 1 | 26106-060552 | BOLT, M6X 55 PLATED | 3 | | | | | | | |

Fig.5. INTAKE MANIHOLD

(A)=L48N5CF1C1AA
(B)=
(C)=

(D)=
(E)=
(F)=

| No. | Lev. | Parts No. | Description | Q'ty | | | | | |
|-----|------|--------------|---------------------|------|-----|-----|-----|-----|-----|
| | | | | (A) | (B) | (C) | (D) | (E) | (F) |
| 1 | 1 | 114771-12010 | PIPE, AIR INTAKE | 1 | | | | | |
| 2 | 1 | 114771-12200 | GASKET | 1 | | | | | |
| 4 | 1 | 26106-060252 | BOLT, M6X 25 PLATED | 2 | | | | | |
| 5 | 1 | 26226-060142 | STUD, M6X 14 | 1 | | | | | |
| 6 | 1 | 26226-060602 | STUD, M6X 60 | 2 | | | | | |

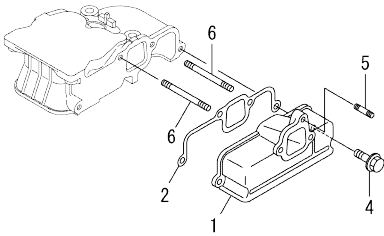
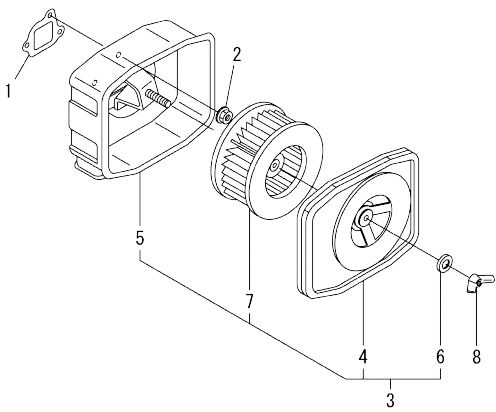


Fig.6. AIR CLEANER

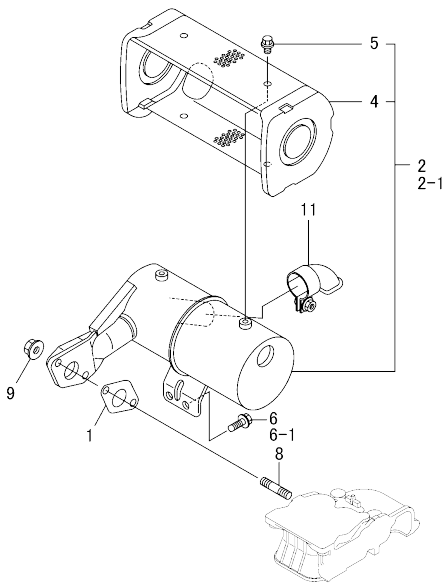


(A)=L48N5CF1C1AA
(B)=
(C)=

(D)=
(E)=
(F)=

| No. | Lev. | Parts No. | Description | Q'ty | | | | | | I | R | |
|-----|------|--------------|----------------------|------|-----|-----|-----|-----|-----|---|---|---|
| | | | | (A) | (B) | (C) | (D) | (E) | (F) | | | |
| 1 | 1 | 114299-12210 | GASKET, AIR CLEANER | 1 | | | | | | | | |
| 2 | 1 | 114299-12300 | NUT | 3 | | | | | | | | |
| 3 | 1 | 114120-12550 | CLEANER ASSY, AIR | 1 | | | | | | | | |
| 3-1 | 1 | 114250-12570 | CLEANER, AIR | 1 | | | | | | | | R |
| | | (A=ES70637) | | | | | | | | | | |
| 4 | 2 | 114250-12520 | COVER, AIR CLEANER | 1 | | | | | | | | |
| 5 | 2 | 114250-12530 | CASE ASSY, CLEANER | 1 | | | | | | | | |
| 6 | 2 | 114250-12560 | WASHER, SEAL M6 | 1 | | | | | | | | |
| 7 | 2 | 114250-12581 | ELEMENT, AIR CLEANER | 1 | | | | | | | | |
| 8 | 1 | 114250-12550 | NUT, WING M6 | 1 | | | | | | | | |

Fig.7. EXHAUST MUFFLER



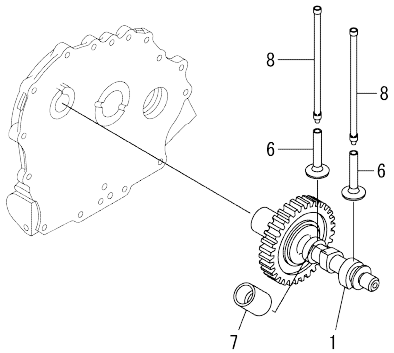
(A)=L48N5CF1C1AA
(B)=
(C)=

(D)=
(E)=
(F)=

| No. | Lev. | Parts No. | Description | Q'ty | | | | | | I | R |
|-------------|------|--------------|---------------------|------|-----|-----|-----|-----|-----|---|---|
| | | | | (A) | (B) | (C) | (D) | (E) | (F) | | |
| 1 | 1 | 114299-13200 | GASKET, MUFFLER | 1 | | | | | | | |
| 2 | 1 | 11429C-13500 | MUFFLER ASSY, E-D | 1 | | | | | | | |
| 2-1 | 1 | 11429C-13510 | MUFFLER ASSY, E-D | 1 | | | | | | | S |
| (A=ES70637) | | | | | | | | | | | |
| 4 | 2 | 11429C-13700 | COVER | 1 | | | | | | | |
| 5 | 2 | 11431C-13720 | BOLT, M6 | 4 | | | | | | | |
| 6 | 1 | 26106-060142 | BOLT, M6X 14 PLATED | 2 | | | | | | | |
| 6-1 | 1 | 26106-080162 | BOLT, M8X 16 PLATED | 2 | | | | | | | S |
| (A=ES70637) | | | | | | | | | | | |
| 8 | 1 | 26216-080182 | STUD, M8X 18 | 2 | | | | | | | |
| 9 | 1 | 26306-080002 | NUT, M8 | 2 | | | | | | | |
| 11 | 1 | 114299-13800 | EXTENSION ASSY | 1 | | | | | | | |

OCC50-M00220 ENGINE
 Fig.8. CAMSHAFT

OCC50-M00220 Fig.8

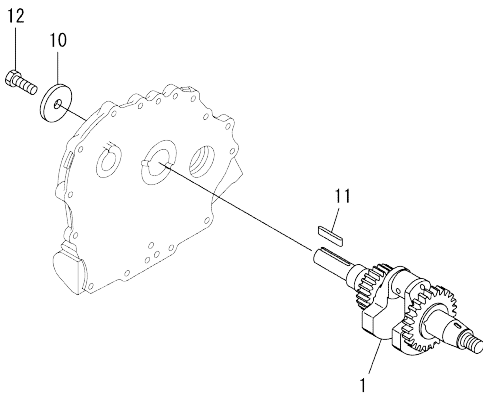


(A)=L48N5CF1C1AA
 (B)=
 (C)=

(D)=
 (E)=
 (F)=

| No. | Lev. | Parts No. | Description | Q'ty | | | | | |
|-----|------|--------------|----------------|------|-----|-----|-----|-----|-----|
| | | | | (A) | (B) | (C) | (D) | (E) | (F) |
| 1 | 1 | 71429C-14010 | CAMSHAFT ASSY | 1 | | | | | |
| 6 | 1 | 114299-14200 | TAPPET | 2 | | | | | |
| 7 | 1 | 114771-14260 | TAPPET | 1 | | | | | |
| 8 | 1 | 114250-14451 | ROD ASSY, PUSH | 2 | | | | | |

Fig.9. CRANKSHAFT

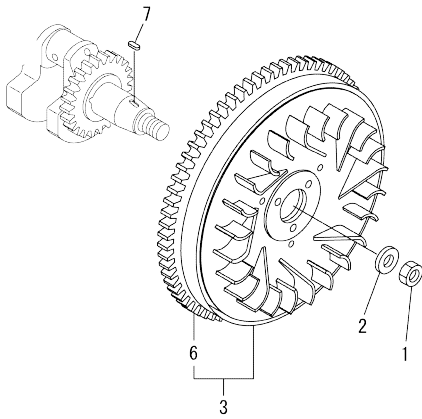


(A)=L48N5CF1C1AA
(B)=
(C)=

(D)=
(E)=
(F)=

| No. | Lev. | Parts No. | Description | Q'ty | | | | | |
|-----|------|--------------|---------------------|------|-----|-----|-----|-----|-----|
| | | | | (A) | (B) | (C) | (D) | (E) | (F) |
| 1 | 1 | 11429C-21750 | CRANKSHAFT ASSY,E-D | 1 | | | | | |
| 10 | 1 | 160310-14550 | WASHER | 1 | | | | | |
| 11 | 1 | 160642-21150 | KEY, 4.7X30 | 1 | | | | | |
| 12 | 1 | 160642-21250 | BOLT, 5/15-24UNF | 1 | | | | | |

OCC50-M00220 ENGINE
 Fig.10. FLYWHEEL



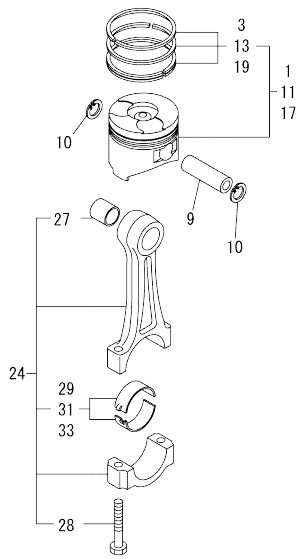
OCC50-M00220 Fig.10

(A)=L48N5CF1C1AA
 (B)=
 (C)=

(D)=
 (E)=
 (F)=

| No. | Lev. | Parts No. | Description | Q'ty | | | | | |
|-----|------|--------------|---------------|------|-----|-----|-----|-----|-----|
| | | | | (A) | (B) | (C) | (D) | (E) | (F) |
| 1 | 1 | 114299-21220 | NUT | 1 | | | | | |
| 2 | 1 | 114299-21550 | WASHER | 1 | | | | | |
| 3 | 1 | 114299-21590 | FLYWHEEL ASSY | 1 | | | | | |
| 6 | 2 | 114299-21600 | GEAR, RING | 1 | | | | | |
| 7 | 1 | 22512-040120 | KEY, 4X 12 | 1 | | | | | |

Fig.11. PISTON & CONNECTING ROD



(A)=L48N5CF1C1AA
(B)=
(C)=

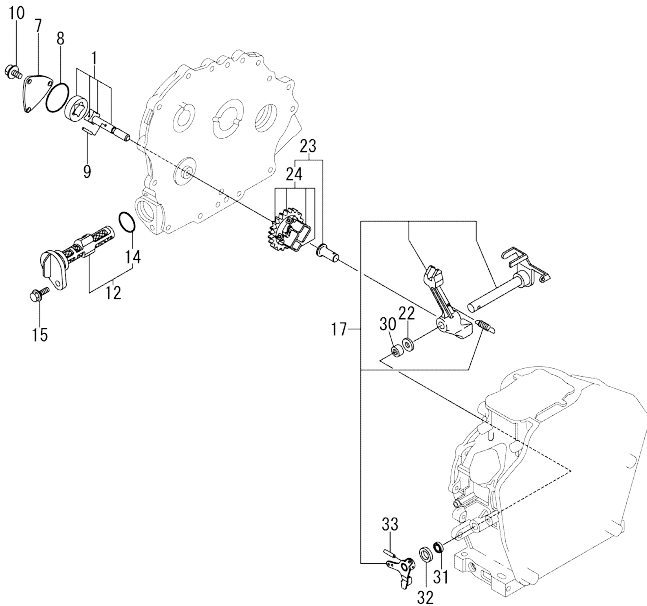
(D)=
(E)=
(F)=

| No. | Lev. | Parts No. | Description | Q'ty | | | | | | I | R |
|------|------|--------------|-----------------------|------|-----|-----|-----|-----|-----|---|-----|
| | | | | (A) | (B) | (C) | (D) | (E) | (F) | | |
| 1 | 1 | 714120-22720 | PISTON ASSY, D | 1 | | | | | | | |
| 3 | 2 | 714295-22500 | RING SET, PISTON | 1 | | | | | | | |
| 9 | 1 | 114299-22300 | PIN, PISTON D=19 | 1 | | | | | | | |
| 10 | 1 | 22252-000190 | RING, 19 | 2 | | | | | | | |
| 11 | 1 | 714120-22630 | PISTON ASSY, 0.25 OS | 1 | | | | | | | 1 |
| 13 | 2 | 714295-22560 | RING SET, PISTON .25 | 1 | | | | | | | 1 |
| 17 | 1 | 714120-22590 | PISTON ASSY, 0.50 OS | 1 | | | | | | | 2 |
| 19 | 2 | 714295-22570 | RING SET, PISTON .50 | 1 | | | | | | | 2 |
| 24 | 1 | 71429C-23010 | ROD ASSY, CONNECTING | 1 | | | | | | | |
| 24-1 | 1 | 11412C-23700 | ROD ASSY, CONNECTING | 1 | | | | | | | N |
| | | (A=2019.02) | | | | | | | | | |
| 27 | 3 | 114770-23100 | BEARING, PISTON PIN | 1 | | | | | | | |
| 27-1 | 3 | 114740-23100 | BUSH, PISTON PIN | 1 | | | | | | | N |
| | | (A=2019.02) | | | | | | | | | |
| 28 | 3 | 114110-23200 | BOLT, CONNECTING ROD | 2 | | | | | | | |
| 29 | 2 | 714770-23600 | METAL ASSY, CRANK PIN | 1 | | | | | | | |
| 29-1 | 2 | 114740-23600 | METAL, CRANK PIN | 1 | | | | | | | N |
| | | (A=2019.10) | | | | | | | | | |
| 31 | 1 | 714770-23610 | METAL ASSY, PIN .25 | 1 | | | | | | | 3 |
| 31-1 | 1 | 114740-23610 | METAL, CRANK PIN 0.25 | 1 | | | | | | | N 1 |
| | | (A=2019.10) | | | | | | | | | |
| 33 | 1 | 714770-23620 | METAL ASSY, PIN .50 | 1 | | | | | | | 4 |
| 33-1 | 1 | 114740-23620 | METAL, CRANK PIN 0.50 | 1 | | | | | | | N 2 |
| | | (A=2019.10) | | | | | | | | | |

Remarks

- (1)Over-sized(O.S.=0.25) parts.
- (2)Over-sized(O.S.=0.50) parts.
- (3)Under-sized(U.S.=0.25) parts.
- (4)Under-sized(U.S.=0.50) parts.

Fig.13. LUB. OIL PUMP & GOVERNOR



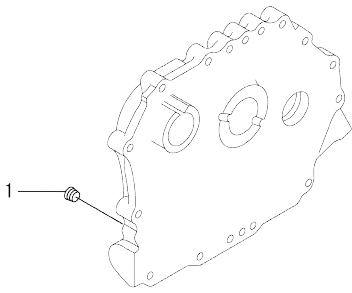
| No. | Lev. | Parts No. | Description | Q'ty | | | | | | I | R |
|-----|------|--------------|-----------------------|------|-----|-----|-----|-----|-----|---|---|
| | | | | (A) | (B) | (C) | (D) | (E) | (F) | | |
| 1 | 1 | 114250-32010 | PUMP ASSY, OIL | 1 | | | | | | | |
| 7 | 1 | 114299-32070 | COVER | 1 | | | | | | | |
| 8 | 1 | 114299-32570 | O-RING | 1 | | | | | | | |
| 9 | 1 | 22312-030160 | PIN, PARALLEL M3X16 | 1 | | | | | | | |
| 10 | 1 | 26106-060122 | BOLT, M6X 12 PLATED | 3 | | | | | | | |
| 12 | 1 | 114299-35110 | FILTER ASSY, OIL | 1 | | | | | | | |
| 14 | 2 | 24341-000224 | O-RING, 1AS22.4 | 1 | | | | | | | |
| 15 | 1 | 26106-060162 | BOLT, M6X 16 PLATED | 1 | | | | | | | |
| 17 | 1 | 114295-61170 | LEVER ASSY, GOVERNOR | 1 | | | | | | | 1 |
| 22 | 1 | 114299-61190 | WASHER | 1 | | | | | | | |
| 23 | 1 | 114299-61700 | GOVERNOR ASSY | 1 | | | | | | | |
| 24 | 2 | 114299-61210 | WEIGHT ASSY, GOVERNOR | 1 | | | | | | | |
| 30 | 1 | 114770-61520 | BEARING, NEEDLE | 2 | | | | | | | |
| 31 | 1 | 114299-61600 | SEAL, OIL | 1 | | | | | | | |
| 32 | 1 | 114770-61610 | WASHER, THRUST | 1 | | | | | | | |
| 33 | 1 | 22322-030200 | PIN, TAPER 3X20 | 1 | | | | | | | |

Remarks

(1) On a guarantee of quality component parts shall not be sold.

OCC50-M00220 ENGINE

Fig.14. OIL PRESSURE SWITCH CAP



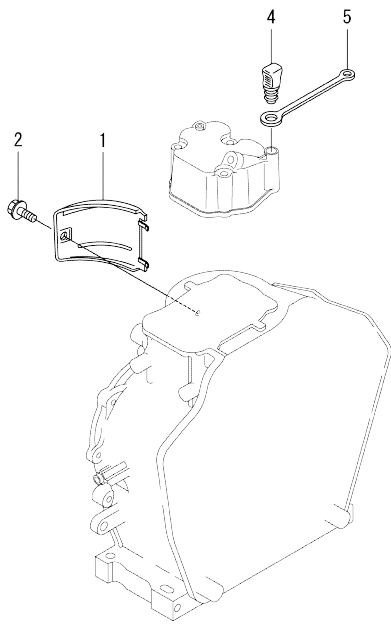
OCC50-M00220 Fig.14

(A)=L48N5CF1C1AA
(B)=
(C)=

(D)=
(E)=
(F)=

| No. | Lev. | Parts No. | Description | Qty | | | | | | I | R | |
|-----|------|--------------|-------------|-----|-----|-----|-----|-----|-----|---|---|--|
| | | | | (A) | (B) | (C) | (D) | (E) | (F) | | | |
| 1 | 1 | 23876-010000 | PLUG, R01 | 1 | | | | | | | | |

OCC50-M00220 ENGINE
 Fig.15. COVER



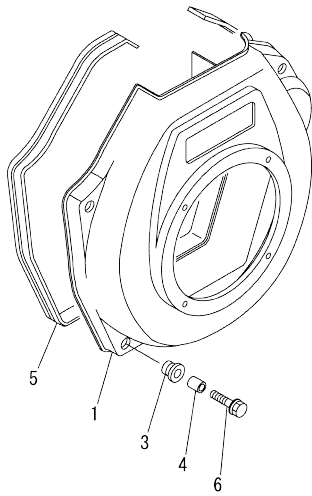
OCC50-M00220 Fig.15

(A)=L48N5CF1C1AA
 (B)=
 (C)=

(D)=
 (E)=
 (F)=

| No. | Lev. | Parts No. | Description | Q'ty | | | | | |
|-----|------|--------------|---------------------|------|-----|-----|-----|-----|-----|
| | | | | (A) | (B) | (C) | (D) | (E) | (F) |
| 1 | 1 | 114299-45210 | COVER | 1 | | | | | |
| 2 | 1 | 26106-060122 | BOLT, M6X 12 PLATED | 1 | | | | | |
| 4 | 1 | 114299-76600 | PLUNGER | 1 | | | | | |
| 5 | 1 | 114299-76610 | HOLDER, PLUNGER | 1 | | | | | |

Fig.16. COOLING FAN CASE

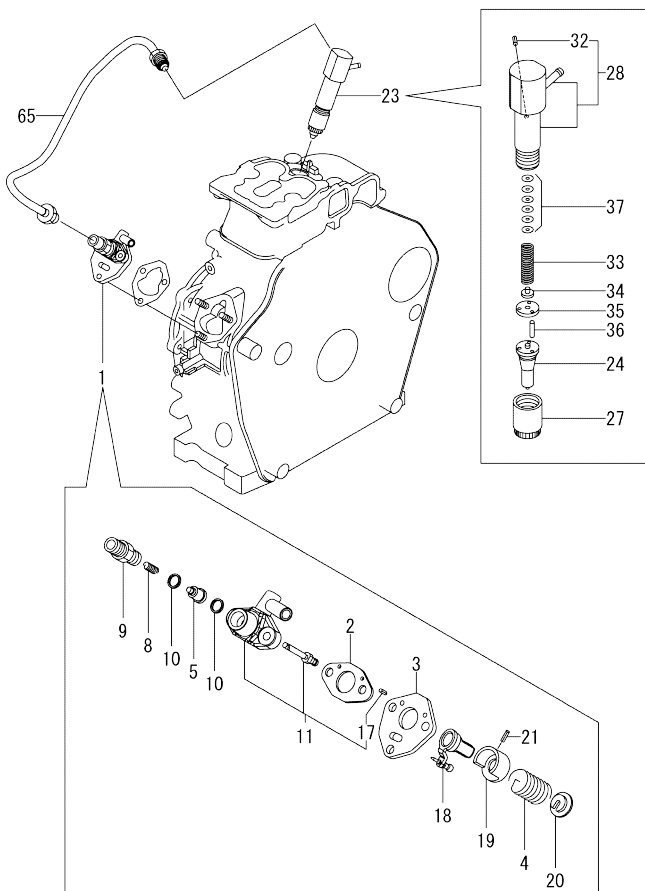


(A)=L48N5CF1C1AA
(B)=
(C)=

(D)=
(E)=
(F)=

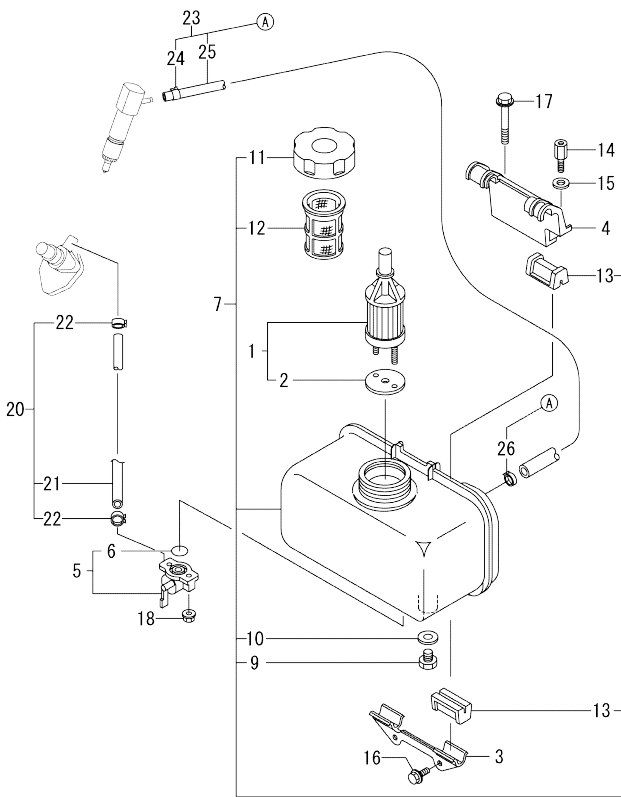
| No. | Lev. | Parts No. | Description | Q'ty | | | | | | I | R |
|-----|------|--------------|-------------------|------|-----|-----|-----|-----|-----|---|---|
| | | | | (A) | (B) | (C) | (D) | (E) | (F) | | |
| 1 | 1 | 114295-45150 | CASE, COOLING FAN | 1 | | | | | | | |
| 3 | 1 | 114299-45301 | RUBBER, CUSHION | 4 | | | | | | | |
| 4 | 1 | 114299-45310 | COLLAR | 4 | | | | | | | |
| 5 | 1 | 114120-45330 | SEAL, FAN CASE | 1 | | | | | | | |
| 6 | 1 | 114299-45350 | BOLT, FAN CASE | 4 | | | | | | | |

Fig.17. FUEL INJECTION PUMP & FUEL INJECTION VALVE



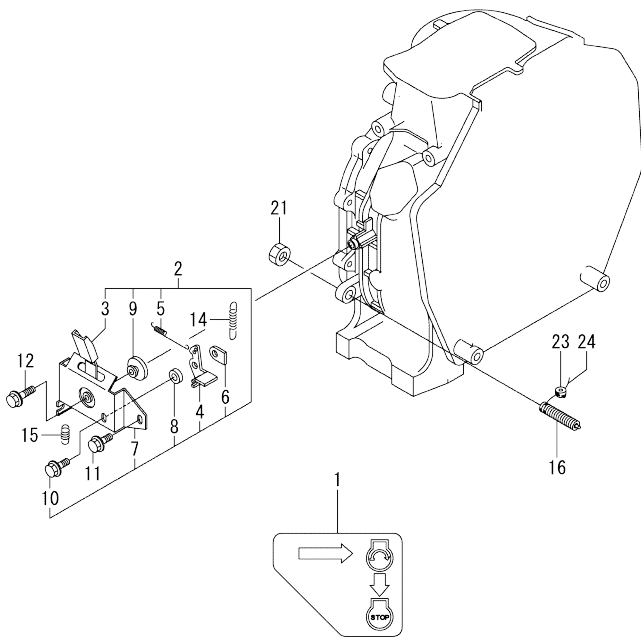
| No. | Lev. | Parts No. | Description | Qty | | | | | | I | R | |
|-----|------|--------------|-----------------------|-----|-----|-----|-----|-----|-----|---|---|--|
| | | | | (A) | (B) | (C) | (D) | (E) | (F) | | | |
| 1 | 1 | 714139-51210 | F.I.PUMP ASSY | 1 | | | | | | | | |
| 2 | 2 | 105546-51020 | GASKET | 1 | | | | | | | | |
| 3 | 2 | 114250-51080 | PLATE | 1 | | | | | | | | |
| 4 | 2 | 114250-51160 | SPRING, PLUNGER | 1 | | | | | | | | |
| 5 | 2 | 114250-51300 | VALVE ASSY, DELIVERY | 1 | | | | | | | | |
| 8 | 2 | 105546-51330 | SPRING, DELIVERY | 1 | | | | | | | | |
| 9 | 2 | 114250-51340 | HOLDER, DELIVERY | 1 | | | | | | | | |
| 10 | 2 | 124550-51350 | GASKET, DELIVERY | 2 | | | | | | | | |
| 11 | 2 | 114350-51200 | BODY ASSY, PUMP | 1 | | | | | | | | |
| 17 | 4 | 22351-020006 | PIN, SPRING 2.0X 6 | 2 | | | | | | | | |
| 18 | 2 | 114250-51500 | LEVER, CONTROL | 1 | | | | | | | | |
| 19 | 2 | 114250-51640 | SEAT, SPRING A | 1 | | | | | | | | |
| 20 | 2 | 114250-51650 | SEAT, SPRING B | 1 | | | | | | | | |
| 21 | 2 | 22351-030008 | PIN, SPRING 3.0X 8 | 1 | | | | | | | | |
| 23 | 1 | 714139-53200 | VALVE ASSY, INJECTION | 1 | | | | | | | | |
| 24 | 2 | 114139-53200 | NOZZLE ASSY | 1 | | | | | | | | |
| 27 | 2 | 114250-53080 | NUT, NOZZLE D16.95 | 1 | | | | | | | | |
| 28 | 2 | 114139-53100 | HOLDER ASSY, NOZZLE | 1 | | | | | | | | |
| 32 | 3 | 22351-025005 | PIN, SPRING 2.5X 6 | 1 | | | | | | | | |
| 33 | 2 | 114250-53120 | SPRING, NOZZLE | 1 | | | | | | | | |
| 34 | 2 | 114250-53130 | SEAT, SPRING | 1 | | | | | | | | |
| 35 | 2 | 114250-53140 | PLATE | 1 | | | | | | | | |
| 36 | 2 | 114250-53210 | PIN | 2 | | | | | | | | |
| 37 | 2 | 119803-53400 | SHIM SET | 1 | | | | | | | | |
| 65 | 1 | 114120-59800 | PIPE ASSY, INJECTION | 1 | | | | | | | | |

Fig.18. FUEL TANK & FUEL PIPE



| No. | Lev. | Parts No. | Description | Qty | | | | | | I | R |
|------|------|--------------|----------------------|-----|-----|-----|-----|-----|-----|---|---|
| | | | | (A) | (B) | (C) | (D) | (E) | (F) | | |
| 1 | 1 | 114250-55121 | FILTER ASSY, FUEL | 1 | | | | | | | |
| 2 | 2 | 114250-55130 | GASKET | 1 | | | | | | | |
| 3 | 1 | 114299-55210 | STAY, FUEL TANK A | 1 | | | | | | | |
| 4 | 1 | 114299-55230 | STAY, FUEL TANK B | 1 | | | | | | | |
| 5 | 1 | 114250-55301 | COCK ASSY, FUEL | 1 | | | | | | | |
| 6 | 2 | 24341-000150 | O-RING, 1AS15.0 | 1 | | | | | | | |
| 7 | 1 | 11429C-55710 | TANK ASSY, FUEL | 1 | | | | | | | |
| 9 | 2 | 114299-55080 | PLUG, DRAIN | 1 | | | | | | | |
| 10 | 2 | 23414-080000 | GASKET, 8X1.0 | 1 | | | | | | | |
| 11 | 2 | 114299-55040 | CAP ASSY, FUEL TANK | 1 | | | | | | | |
| 12 | 2 | 114299-55100 | ELEMENT, FUEL FILTER | 1 | | | | | | | |
| 13 | 2 | 114250-55201 | DAMPER, FUEL TANK | 4 | | | | | | | |
| 14 | 1 | 114210-55810 | BOLT, LIFTING | 1 | | | | | | | |
| 15 | 1 | 22117-080000 | WASHER, 8 | 1 | | | | | | | |
| 16 | 1 | 26106-060162 | BOLT, M6X 16 PLATED | 2 | | | | | | | |
| 17 | 1 | 26106-080452 | BOLT, M8X 45 PLATED | 1 | | | | | | | |
| 18 | 1 | 26366-060002 | NUT, M6 | 2 | | | | | | | |
| 20 | 1 | 114780-59010 | PIPE ASSY, FUEL L50 | 1 | | | | | | | |
| 21 | 2 | 114780-59060 | PIPE, FUEL L=50 | 1 | | | | | | | |
| 22 | 2 | 23080-014000 | CLAMP, 14 | 2 | | | | | | | |
| 23 | 1 | 114120-59300 | PIPE ASSY, RETURN | 1 | | | | | | | |
| 23-1 | 1 | 114120-59301 | PIPE ASSY, FO RETURN | 1 | | | | | | | N |
| | | (A=2019.03) | | | | | | | | | |
| 24 | 2 | 124722-59050 | CLAMP, HOSE 9 | 1 | | | | | | | |
| 25 | 2 | 114650-59060 | PIPE, FUEL RETURN | 1 | | | | | | | |
| 25-1 | 2 | 114650-59061 | PIPE, FO RETURN | 1 | | | | | | | N |
| | | (A=2019.03) | | | | | | | | | |
| 26 | 2 | 124066-59100 | CLAMP, HOSE 8 | 1 | | | | | | | |

Fig.19. SPEED CONTROL DEVICE

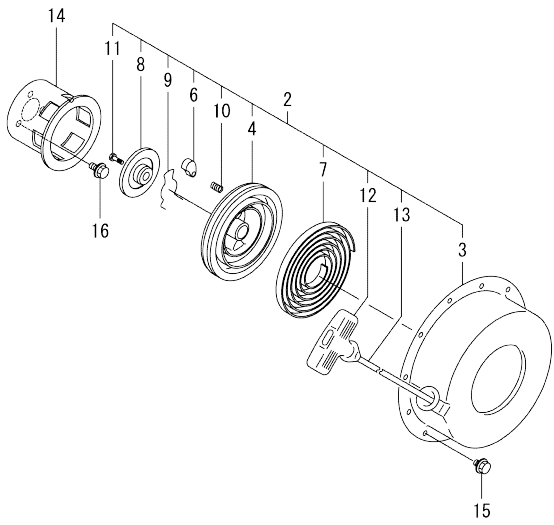


(A)=L48N5CF1C1AA
(B)=
(C)=

(D)=
(E)=
(F)=

| No. | Lev. | Parts No. | Description | Q'ty | | | | | | I | R |
|-----|------|--------------|----------------------|------|-----|-----|-----|-----|-----|---|---|
| | | | | (A) | (B) | (C) | (D) | (E) | (F) | | |
| 1 | 1 | 114220-07151 | LABEL, CONSTANT SPEE | 1 | | | | | | | |
| 2 | 1 | 114210-66511 | BRACKET ASSY, HANDLE | 1 | | | | | | | |
| 3 | 2 | 114210-66300 | HANDLE | 1 | | | | | | | |
| 4 | 2 | 183250-66321 | LEVER, LOCK | 1 | | | | | | | |
| 5 | 2 | 114210-66330 | SPRING, LOCK LEVER | 1 | | | | | | | |
| 6 | 2 | 183250-66341 | NUT, LOCK | 1 | | | | | | | |
| 7 | 2 | 114210-66350 | BRACKET | 1 | | | | | | | |
| 8 | 2 | 183250-66361 | COLLAR | 1 | | | | | | | |
| 9 | 2 | 183250-66371 | COLLAR | 1 | | | | | | | |
| 10 | 2 | 26106-060162 | BOLT, M6X 16 PLATED | 1 | | | | | | | |
| 11 | 1 | 26106-060142 | BOLT, M6X 14 PLATED | 1 | | | | | | | |
| 12 | 1 | 26106-060202 | BOLT, M6X 20 PLATED | 1 | | | | | | | |
| 14 | 1 | 114770-66010 | SPRING, REGULATOR | 1 | | | | | | | |
| 15 | 1 | 114299-66201 | SPRING, RETURN | 1 | | | | | | | |
| 16 | 1 | 114211-66600 | LIMITER ASSY, FUEL | 1 | | | | | | | |
| 21 | 1 | 26776-100002 | NUT, LOCK M10 | 1 | | | | | | | |
| 23 | 1 | 114780-61090 | TIN | 1 | | | | | | | |
| 24 | 1 | 22451-060000 | WIRE, 0.6 | 1 | | | | | | | |

Fig.20. RECOIL STARTER

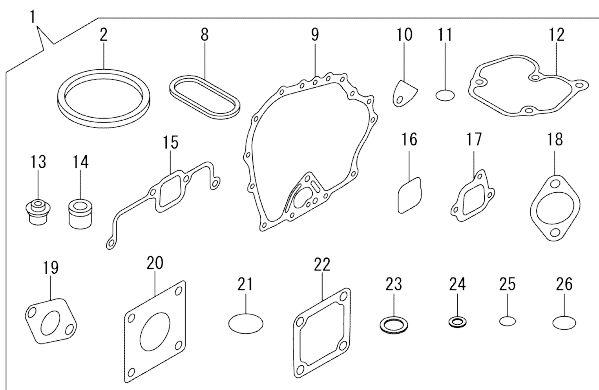


(A)=L48N5CF1C1AA
(B)=
(C)=

(D)=
(E)=
(F)=

| No. | Lev. | Parts No. | Description | Q'ty | | | | | |
|-----|------|--------------|----------------------|------|-----|-----|-----|-----|-----|
| | | | | (A) | (B) | (C) | (D) | (E) | (F) |
| 2 | 2 | 114299-76250 | STARTER ASSY, RECOIL | 1 | | | | | |
| 3 | 3 | 114299-76500 | CASE, STARTER | 1 | | | | | |
| 4 | 3 | 114299-76521 | REEL | 1 | | | | | |
| 6 | 3 | 114399-76531 | RATCHET | 1 | | | | | |
| 7 | 3 | 114399-76540 | SPRING, SPIRAL | 1 | | | | | |
| 8 | 3 | 114399-76550 | COVER | 1 | | | | | |
| 9 | 3 | 114399-76560 | SPRING | 1 | | | | | |
| 10 | 3 | 114399-76570 | SPRING, RETURN | 1 | | | | | |
| 11 | 3 | 114399-76580 | SCREW | 1 | | | | | |
| 12 | 3 | 114399-76620 | KNOB, STARTER | 1 | | | | | |
| 13 | 3 | 114299-76630 | ROPE, STARTER | 1 | | | | | |
| 14 | 2 | 114299-76590 | PULLEY, STARTER | 1 | | | | | |
| 15 | 1 | 26106-060082 | BOLT, M6X 8 PLATED | 4 | | | | | |
| 16 | 1 | 26106-060122 | BOLT, M6X 12 PLATED | 3 | | | | | |

Fig.21. GASKET SET



(A)=L48N5CF1C1AA
(B)=
(C)=

(D)=
(E)=
(F)=

| No. | Lev. | Parts No. | Description | Q'ty | | | | | | I | R |
|-----|------|--------------|---------------------|------|-----|-----|-----|-----|-----|---|---|
| | | | | (A) | (B) | (C) | (D) | (E) | (F) | | |
| 1 | 1 | 114120-92600 | GASKET SET | 1 | | | | | | | 1 |
| 2 | 2 | 114295-01330 | GASKET, HEAD | 1 | | | | | | | |
| 8 | 2 | 114299-01380 | O-RING | 1 | | | | | | | |
| 9 | 2 | 114299-01410 | GASKET, CRANK CASE | 1 | | | | | | | |
| 10 | 2 | 114250-01841 | GASKET | 1 | | | | | | | |
| 11 | 2 | 114299-01950 | O-RING, 18 | 2 | | | | | | | |
| 12 | 2 | 114771-11310 | GASKET, BONNET | 1 | | | | | | | |
| 13 | 2 | 114250-11341 | SEAL, VALVE STEM | 2 | | | | | | | |
| 14 | 2 | 114771-11461 | GASKET, NOZZLE | 1 | | | | | | | |
| 15 | 2 | 114771-12200 | GASKET | 1 | | | | | | | |
| 16 | 2 | 114288-12210 | O-RING | 1 | | | | | | | |
| 17 | 2 | 114299-12210 | GASKET, AIR CLEANER | 2 | | | | | | | |
| 18 | 2 | 114299-12920 | GASKET, AIR CLEANER | 1 | | | | | | | |
| 19 | 2 | 114299-13200 | GASKET, MUFFLER | 1 | | | | | | | |
| 20 | 2 | 114299-21980 | GASKET | 1 | | | | | | | |
| 21 | 2 | 114299-32570 | O-RING | 1 | | | | | | | |
| 22 | 2 | 129100-77510 | GASKET | 3 | | | | | | | |
| 23 | 2 | 22190-160002 | WASHER, SEAL 16 | 2 | | | | | | | |
| 24 | 2 | 23414-080000 | GASKET, 8X1.0 | 1 | | | | | | | |
| 25 | 2 | 24341-000150 | O-RING, 1AS15.0 | 1 | | | | | | | |
| 26 | 2 | 24341-000224 | O-RING, 1AS22.4 | 1 | | | | | | | |

Remarks
(1)Optional parts.

Parts No. Index

| Parts No. | Fig. No. | Ref. No. | Parts No. | Fig. No. | Ref. No. | Parts No. | Fig. No. | Ref. No. | Parts No. | Fig. No. | Ref. No. |
|--------------|----------|----------|--------------|----------|----------|--------------|----------|----------|--------------|----------|----------|
| 105546-51020 | 17 | 2 | 114250-51160 | 17 | 4 | 114299-13200 | 21 | 19 | 114399-76531 | 20 | 6 |
| 105546-51330 | 17 | 8 | 114250-51300 | 17 | 5 | 114299-13800 | 7 | 11 | 114399-76540 | 20 | 7 |
| 114110-01020 | 1 | 1 | 114250-51340 | 17 | 9 | 114299-14200 | 8 | 6 | 114399-76550 | 20 | 8 |
| 114110-11910 | 4 | 27 | 114250-51500 | 17 | 18 | 114299-21220 | 10 | 1 | 114399-76560 | 20 | 9 |
| 114110-23200 | 11 | 28 | 114250-51640 | 17 | 19 | 114299-21550 | 10 | 2 | 114399-76570 | 20 | 10 |
| 114111-01450 | 1 | 32 -1 | 114250-51650 | 17 | 20 | 114299-21590 | 10 | 3 | 114399-76580 | 20 | 11 |
| 114120-11120 | 4 | 8 | 114250-53080 | 17 | 27 | 114299-21600 | 10 | 6 | 114399-76620 | 20 | 12 |
| 114120-12550 | 6 | 3 | 114250-53120 | 17 | 33 | 114299-21980 | 21 | 20 | 114650-59060 | 18 | 25 |
| 114120-45330 | 16 | 5 | 114250-53130 | 17 | 34 | 114299-22300 | 11 | 9 | 114650-59061 | 18 | 25 -1 |
| 114120-59300 | 18 | 23 | 114250-53140 | 17 | 35 | 114299-32070 | 13 | 7 | 114740-02110 | 1 | 35 -1 |
| 114120-59301 | 18 | 23 -1 | 114250-53210 | 17 | 36 | 114299-32570 | 13 | 8 | 114740-02200 | 1 | 41 -1 |
| 114120-59800 | 17 | 65 | 114250-55121 | 18 | 1 | | 21 | 21 | 114740-02210 | 1 | 42 -1 |
| 114120-92600 | 21 | 1 | 114250-55130 | 18 | 2 | 114299-35110 | 13 | 12 | 114740-23100 | 11 | 27 -1 |
| 11412C-23700 | 11 | 24 -1 | 114250-55201 | 18 | 13 | 114299-35150 | 1 | 38 | 114740-23600 | 11 | 29 -1 |
| 114139-53100 | 17 | 28 | 114250-55301 | 18 | 5 | 114299-45210 | 15 | 1 | 114740-23610 | 11 | 31 -1 |
| 114139-53200 | 17 | 24 | 114288-12210 | 21 | 16 | 114299-45301 | 16 | 3 | 114740-23620 | 11 | 33 -1 |
| 114210-55810 | 18 | 14 | 114295-01330 | 21 | 2 | 114299-45310 | 16 | 4 | 114770-23100 | 11 | 27 |
| 114210-66300 | 19 | 3 | 114295-01340 | 1 | 10 | 114299-45350 | 16 | 6 | 114770-61520 | 13 | 30 |
| 114210-66330 | 19 | 5 | 114295-11951 | 4 | 35 | 114299-55040 | 18 | 11 | 114770-61610 | 13 | 32 |
| 114210-66350 | 19 | 7 | 114295-45150 | 16 | 1 | 114299-55080 | 18 | 9 | 114770-66010 | 19 | 14 |
| 114210-66511 | 19 | 2 | 114295-61170 | 13 | 17 | 114299-55100 | 18 | 12 | 114771-11310 | 4 | 34 |
| 114211-66600 | 19 | 16 | 114299-01200 | 1 | 5 | 114299-55210 | 18 | 3 | | 21 | 12 |
| 114220-07100 | 3 | 2 | 114299-01210 | 1 | 6 | 114299-55230 | 18 | 4 | 114771-11461 | 21 | 14 |
| 114220-07110 | 3 | 4 | 114299-01220 | 1 | 7 | 114299-61190 | 13 | 22 | 114771-12010 | 5 | 1 |
| 114220-07130 | 3 | 11 | 114299-01230 | 1 | 8 | 114299-61210 | 13 | 24 | 114771-12200 | 5 | 2 |
| 114220-07151 | 3 | 9 | 114299-01380 | 1 | 11 | 114299-61600 | 13 | 31 | | 21 | 15 |
| | 19 | 1 | | 21 | 8 | 114299-61700 | 13 | 23 | 114771-14260 | 8 | 7 |
| 114240-11450 | 4 | 23 | 114299-01410 | 1 | 31 | 114299-66201 | 19 | 15 | 114780-59010 | 18 | 20 |
| 114240-11550 | 4 | 24 | | 21 | 9 | 114299-76250 | 20 | 2 | 114780-59060 | 18 | 21 |
| 114250-01841 | 1 | 25 | 114299-01450 | 1 | 32 | 114299-76500 | 20 | 3 | 114780-61090 | 19 | 23 |
| | 21 | 10 | 114299-01600 | 1 | 12 | 114299-76521 | 20 | 4 | 119260-11370 | 4 | 22 |
| 114250-02100 | 1 | 35 | 114299-01690 | 2 | 1 | 114299-76590 | 20 | 14 | 119803-53400 | 17 | 37 |
| 114250-02113 | 1 | 45 | 114299-01760 | 2 | 2 | 114299-76600 | 15 | 4 | 124066-59100 | 18 | 26 |
| 114250-02200 | 1 | 41 | 114299-01800 | 1 | 13 | 114299-76610 | 15 | 5 | 124550-51350 | 17 | 10 |
| 114250-02210 | 1 | 42 | 114299-01830 | 1 | 24 | 114299-76630 | 20 | 13 | 124722-59050 | 18 | 24 |
| 114250-03591 | 4 | 37 | 114299-01950 | 2 | 4 | 11429C-11030 | 4 | 1 | 124950-01250 | 1 | 9 |
| 114250-11180 | 4 | 9 | | 21 | 11 | 11429C-11100 | 4 | 6 | 129100-77510 | 21 | 22 |
| 114250-11240 | 4 | 14 | 114299-02030 | 1 | 44 | 11429C-11110 | 4 | 7 | 160210-02220 | 1 | 47 |
| | | 18 | 114299-02220 | 1 | 46 | 11429C-11250 | 4 | 10 | 160310-14550 | 9 | 10 |
| 114250-11341 | 4 | 21 | 114299-03640 | 4 | 40 | 11429C-11260 | 4 | 11 | 160642-21150 | 9 | 11 |
| | 21 | 13 | 114299-07101 | 3 | 3 | 11429C-11650 | 4 | 12 | 160642-21250 | 9 | 12 |
| 114250-12520 | 6 | 4 | 114299-07111 | 3 | 5 | 11429C-11660 | 4 | 16 | 183250-66321 | 19 | 4 |
| 114250-12530 | 6 | 5 | 114299-07160 | 3 | 6 | 11429C-13500 | 7 | 2 | 183250-66341 | 19 | 6 |
| 114250-12550 | 6 | 8 | 114299-11600 | 4 | 25 | 11429C-13510 | 7 | 2 -1 | 183250-66361 | 19 | 8 |
| 114250-12560 | 6 | 6 | 114299-11901 | 4 | 26 | 11429C-13700 | 7 | 4 | 183250-66371 | 19 | 9 |
| 114250-12570 | 6 | 3 -1 | 114299-12210 | 6 | 1 | 11429C-21750 | 9 | 1 | 22117-080000 | 18 | 15 |
| 114250-12581 | 6 | 7 | | 21 | 17 | 11429C-55710 | 18 | 7 | 22190-160002 | 2 | 5 |
| 114250-14451 | 8 | 8 | 114299-12300 | 6 | 2 | 11431C-13720 | 7 | 5 | | 21 | 23 |
| 114250-32010 | 13 | 1 | 114299-12920 | 21 | 18 | 114350-51200 | 17 | 11 | 22242-000120 | 4 | 20 |
| 114250-51080 | 17 | 3 | 114299-13200 | 7 | 1 | 114399-01700 | 2 | 7 | 22252-000190 | 11 | 10 |

Parts No. Index

| Parts No. | Fig. No. | Ref. No. |
|--------------|----------|----------|
| 22312-030160 | 4 | 43 |
| | 13 | 9 |
| 22312-040080 | 1 | 26 |
| 22322-030200 | 13 | 33 |
| 22351-020006 | 17 | 17 |
| 22351-025005 | 17 | 32 |
| 22351-030008 | 17 | 21 |
| 22351-040008 | 4 | 28 |
| 22451-060000 | 19 | 24 |
| 22512-040120 | 10 | 7 |
| 23080-014000 | 18 | 22 |
| 23414-080000 | 18 | 10 |
| | 21 | 24 |
| 23876-010000 | 14 | 1 |
| 24101-062020 | 12 | 6 |
| 24162-152112 | 1 | 48 |
| 24341-000150 | 18 | 6 |
| | 21 | 25 |
| 24341-000224 | 13 | 14 |
| | 21 | 26 |
| 26106-060082 | 20 | 15 |
| 26106-060122 | 13 | 10 |
| | 15 | 2 |
| | 20 | 16 |
| 26106-060142 | 7 | 6 |
| | 19 | 11 |
| 26106-060162 | 13 | 15 |
| | 18 | 16 |
| | 19 | 10 |
| 26106-060202 | 19 | 12 |
| 26106-060252 | 1 | 39 |
| | 5 | 4 |
| 26106-060452 | 4 | 29 |
| 26106-060552 | 4 | 46 |
| 26106-080122 | 1 | 49 |
| 26106-080162 | 7 | 6 -1 |
| 26106-080352 | 1 | 40 |
| 26106-080452 | 18 | 17 |
| 26106-100122 | 2 | 8 |
| 26216-080182 | 7 | 8 |
| 26226-060142 | 5 | 5 |
| 26226-060182 | 1 | 27 |
| 26226-060222 | 1 | 28 |
| 26226-060602 | 5 | 6 |
| 26306-080002 | 7 | 9 |
| 26366-060002 | 1 | 29 |
| | 4 | 30 |
| | 18 | 18 |
| 26776-100002 | 19 | 21 |
| 26856-060002 | 4 | 15 |

| Parts No. | Fig. No. | Ref. No. |
|--------------|----------|----------|
| 26856-060002 | 4 | 19 |
| 27310-055001 | 4 | 31 |
| 714120-22590 | 11 | 17 |
| 714120-22630 | 11 | 11 |
| 714120-22720 | 11 | 1 |
| 714139-51210 | 17 | 1 |
| 714139-53200 | 17 | 23 |
| 714295-22500 | 11 | 3 |
| 714295-22560 | 11 | 13 |
| 714295-22570 | 11 | 19 |
| 71429C-14010 | 8 | 1 |
| 71429C-23010 | 11 | 24 |
| 714770-23600 | 11 | 29 |
| 714770-23610 | 11 | 31 |
| 714770-23620 | 11 | 33 |
| 714770-28531 | 12 | 1 |

| Parts No. | Fig. No. | Ref. No. |
|-----------|----------|----------|
|-----------|----------|----------|

| Parts No. | Fig. No. | Ref. No. |
|-----------|----------|----------|
|-----------|----------|----------|