

0CC50-M00290EN

P R E F A C E

This parts catalog is the 1st edition of L48N5CL1T1CAIC for IPC.

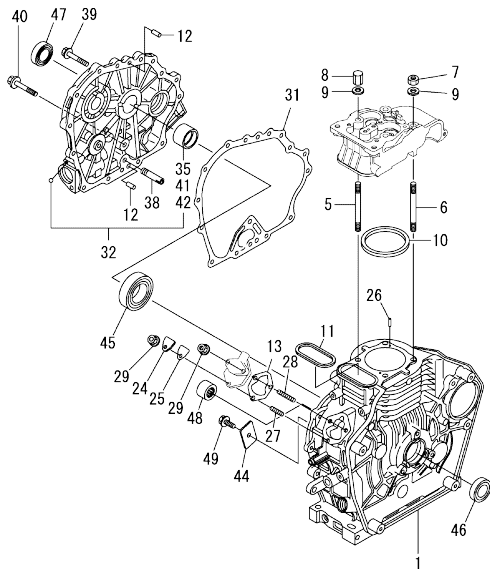
Published : March, 2015

Contents

0CC50-M00290

Fig. No.	Fig. Name	Fig. No.	Fig. Name
ENGINE			
1.	CYLINDER BLOCK		
2.	DRAIN PLUG		
3.	LABEL		
4.	CYLINDER HEAD & BONNET		
5.	INTAKE MANIHOLD		
6.	AIR CLEANER		
7.	EXHAUST MUFFLER		
8.	CAMSHAFT		
9.	CRANKSHAFT		
10.	FLYWHEEL		
11.	PISTON & CONNECTING ROD		
12.	BALANCER SHAFT		
13.	LUB. OIL PUMP & GOVERNOR		
14.	HYD. OIL SWITCH		
15.	COVER		
16.	COOLING FAN CASE		
17.	FUEL INJECTION PUMP & FUEL INJECTION VALVE		
18.	FUEL TANK & FUEL PIPE		
19.	CONTROL EQUIPMENT		
20.	STARTER MOTOR		
21.	ELECTRIC PARTS		
22.	DYNAMO		
23.	ACCESSORIES		
24.	TOOL & GASKET SET		

Fig.1. CYLINDER BLOCK



(A)=L48N5CL1T1CAIC
(B)=
(C)=

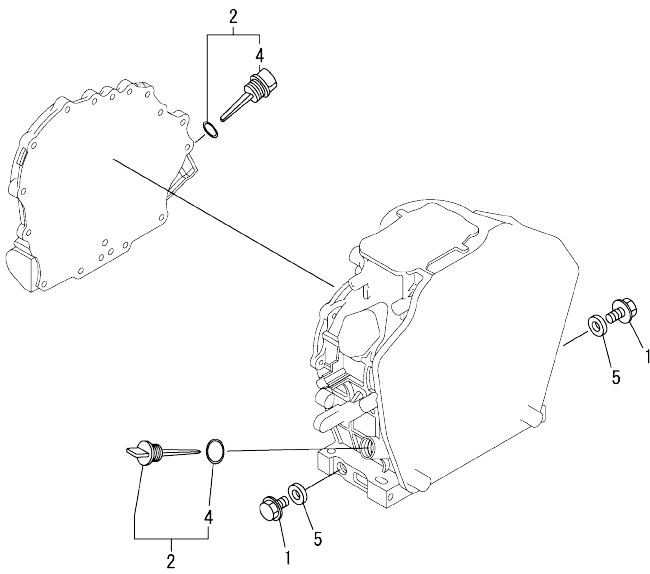
(D)=
(E)=
(F)=

No.	Lev.	Parts No.	Description	Q'ty						I	R
				(A)	(B)	(C)	(D)	(E)	(F)		
1	1	114110-01020	BLOCK ASSY, CYLINDER	1							
5	1	114299-01200	BOLT, HEAD A	2							
6	1	114299-01210	BOLT, HEAD B	2							
7	1	114299-01220	NUT, CYLINDER HEAD A	2							
8	1	114299-01230	NUT, CYLINDER HEAD B	2							
9	1	124950-01250	WASHER, HEAD BOLT	4							
10	1	114295-01340	GASKET, HEAD T=0.5	1							
11	1	114299-01380	O-RING	1							
12	1	114299-01600	PIN, PARALLEL 8X12	2							
13	1	114299-01800	SHIM SET, PUMP	1							
24	1	114299-01830	COVER, PUMP	1							
25	1	114250-01841	GASKET, COVER	1							
26	1	22312-040080	PIN, PARALLEL M4X 8	2							
27	1	26226-060182	STUD, M6X 18	1							
28	1	26226-060222	STUD, M6X 22	2							
29	1	26366-060002	NUT, M6	3							
31	1	114299-01410	GASKET, CRANK CASE	1							
32	1	114299-01450	COVER, CRANK CASE D	1							
32-1	1	114111-01450	COVER, CRANK CASE D	1							N
		(A=2019.02)									
35	2	114250-02100	METAL, MAIN	1							1
35-1	2	114740-02110	BEARING, MAIN	1							N 1
		(A=2019.07)									
38	1	114299-35150	PIPE, OIL INLET	1							
39	1	26106-060252	BOLT, M6X 25 PLATED	14							
40	1	26106-080352	BOLT, M8X 35 PLATED	1							
41	1	114250-02200	METAL, MAIN 0.25 US	1							2
41-1	1	114740-02200	BEARING, MAIN 0.25OS	1							N 4
		(A=2019.07)									
42	1	114250-02210	METAL, MAIN 0.50 US	1							3
42-1	1	114740-02210	BEARING, MAIN 0.50OS	1							N 5
		(A=2019.07)									
44	1	114299-02030	RETAINER, BEARING	1							
45	1	114250-02113	BEARING, HR6306G3C3	1							
46	1	114299-02220	SEAL, OIL	1							
47	1	160210-02220	SEAL, OIL 25X41.2X8	1							
48	1	24162-152112	BEARING, 152112	1							
49	1	26106-080122	BOLT, M8X 12 PLATED	1							

Remarks

- (1) Spare parts.
- (2) Under-sized (U.S.=0.25) parts.
- (3) Under-sized (U.S.=0.50) parts.
- (4) Over-sized (O.S.=0.25) parts.
- (5) Over-sized (O.S.=0.50) parts.

OCC50-M00290 ENGINE
 Fig.2. DRAIN PLUG



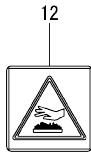
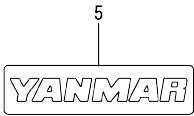
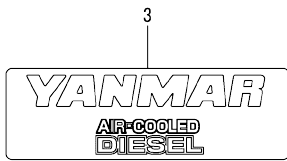
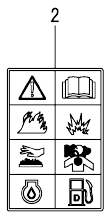
OCC50-M00290 Fig.2

(A)=L48N5CL1T1CAIC
 (B)=
 (C)=

(D)=
 (E)=
 (F)=

No.	Lev.	Parts No.	Description	Q'ty						I	R
				(A)	(B)	(C)	(D)	(E)	(F)		
1	1	114299-01690	PLUG M16	2							
2	1	114299-01760	CAP ASSY	2							
4	2	114299-01950	O-RING, 18	2							
5	1	22190-160002	WASHER, SEAL 16	2							

Fig.3. LABEL



(A)=L48N5CL1T1CAIC
(B)=
(C)=

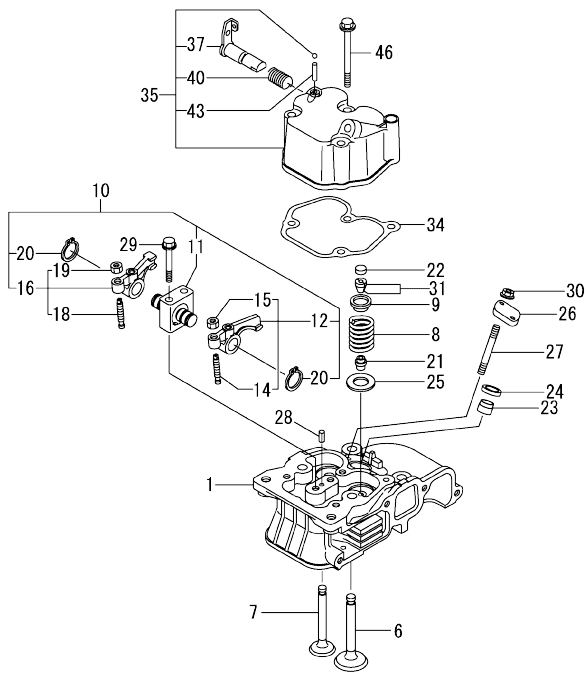
(D)=
(E)=
(F)=

No.	Lev.	Parts No.	Description	Q'ty						I	R	
				(A)	(B)	(C)	(D)	(E)	(F)			
2	1	114220-07100	LABEL, CAUTION	1								
3	1	114299-07101	LABEL, YANMAR MARK A	1								
4	1	114220-07110	LABEL HOW TO START-E	1								
5	1	114299-07111	LABEL, YANMAR MARK B	1								
8	1	114220-07160	LABEL, THAI	1								
12	1	114220-07130	LABEL, HOT SURFACE	1								

Fig.4. CYLINDER HEAD & BONNET

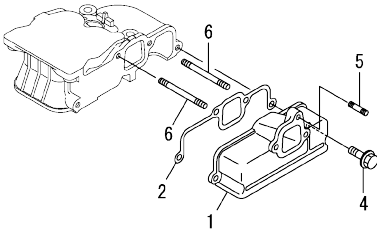
(A)=L48N5CL1T1CAIC
(B)=
(C)=

(D)=
(E)=
(F)=



No.	Lev.	Parts No.	Description	Qty						I	R	
				(A)	(B)	(C)	(D)	(E)	(F)			
1	1	11429C-11030	HEAD ASSY, CYLINDER	1								
6	1	11429C-11100	VALVE, INTAKE	1								
7	1	11429C-11110	VALVE, EXHAUST	1								
8	1	114120-11120	SPRING, VALVE	2								
9	1	114250-11180	RETAINER, SPRING	2								
10	1	11429C-11250	SUPPORT ASSY, ARM	1								
11	2	11429C-11260	SUPPORT, ROCKER ARM	1								
12	2	11429C-11650	ARM ASSY, ROCKER	1								
14	3	114250-11240	SCREW, VALVE ADJUST	1								
15	3	26856-060002	NUT, M6	1								
16	2	11429C-11660	ARM ASSY, ROCKER	1								
18	3	114250-11240	SCREW, VALVE ADJUST	1								
19	3	26856-060002	NUT, M6	1								
20	2	22242-000120	RING, 12	2								
21	1	114250-11341	SEAL, VALVE STEM	2								
22	1	119260-11370	CAP VALVE	2								
23	1	114240-11450	PROTECTOR, NOZZLE	1								
24	1	114240-11550	SEAT, NOZZLE	1								
25	1	114299-11600	WASHER, VALVE SPRING	2								
26	1	114299-11901	RETAINER, NOZZLE	1								
27	1	114110-11910	STUD, M6X65	2								
28	1	22351-040008	PIN, SPRING 4.0X 8	1								
29	1	26106-060452	BOLT, M6X 45 PLATED	2								
30	1	26366-060002	NUT, M6	2								
31	1	27310-055001	COTTER, 5.5	2								
34	1	114771-11310	GASKET, BONNET	1								
35	1	114295-11951	BONNET ASSY, HEAD	1								
37	2	114250-03591	LEVER ASSY	1								
40	2	114299-03640	SPRING, DECOMPRESSION	1								
43	2	22312-030160	PIN, PARALLEL M3X16	1								
46	1	26106-060552	BOLT, M6X 55 PLATED	3								

Fig.5. INTAKE MANIHOLD

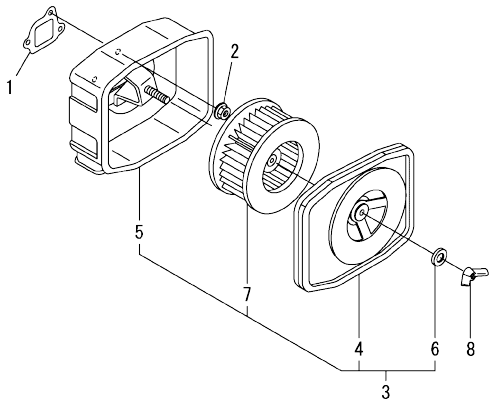


(A)=L48N5CL1T1CAIC
(B)=
(C)=

(D)=
(E)=
(F)=

No.	Lev.	Parts No.	Description	Q'ty					
				(A)	(B)	(C)	(D)	(E)	(F)
1	1	114771-12010	PIPE, AIR INTAKE	1					
2	1	114771-12200	GASKET	1					
4	1	26106-060252	BOLT, M6X 25 PLATED	2					
5	1	26226-060142	STUD, M6X 14	1					
6	1	26226-060602	STUD, M6X 60	2					

Fig.6. AIR CLEANER

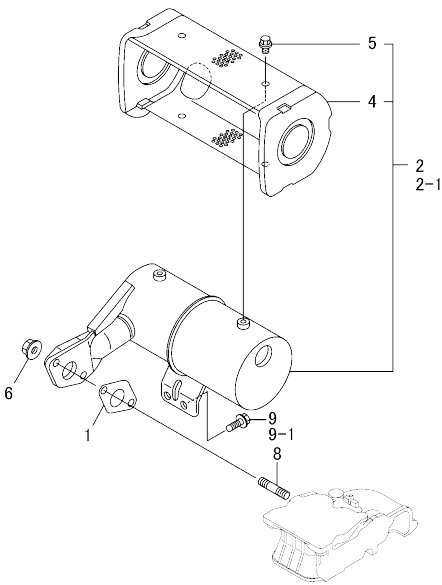


(A)=L48N5CL1T1CAIC
(B)=
(C)=

(D)=
(E)=
(F)=

No.	Lev.	Parts No.	Description	Q'ty						I	R
				(A)	(B)	(C)	(D)	(E)	(F)		
1	1	114299-12210	GASKET, AIR CLEANER	1							
2	1	114299-12300	NUT	3							
3	1	114120-12550	CLEANER ASSY, AIR	1							
3-1	1	114250-12570	CLEANER, AIR	1							R
		(A=ES72046)									
4	2	114250-12520	COVER, AIR CLEANER	1							
5	2	114250-12530	CASE ASSY, CLEANER	1							
6	2	114250-12560	WASHER, SEAL M6	1							
7	2	114250-12581	ELEMENT, AIR CLEANER	1							
8	1	114250-12550	NUT, WING M6	1							

Fig.7. EXHAUST MUFFLER



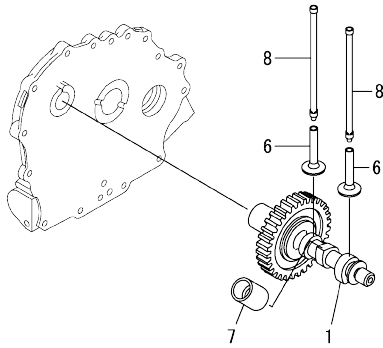
(A)=L48N5CL1T1CAIC
(B)=
(C)=

(D)=
(E)=
(F)=

No.	Lev.	Parts No.	Description	Q'ty						I	R
				(A)	(B)	(C)	(D)	(E)	(F)		
1	1	114299-13200	GASKET, MUFFLER	1							
2	1	11429C-13500	MUFFLER ASSY, E-D	1							
2-1	1	11429C-13510	MUFFLER ASSY, E-D	1							S
		(A=ES72046)									
4	2	11429C-13700	COVER	1							
5	2	11431C-13720	BOLT, M6	4							
6	1	26306-080002	NUT, M8	2							
8	1	26216-080182	STUD, M8X 18	2							
9	1	26106-060142	BOLT, M6X 14 PLATED	2							
9-1	1	26106-080162	BOLT, M8X 16 PLATED	2							S
		(A=ES72046)									

OCC50-M00290 ENGINE
 Fig.8. CAMSHAFT

OCC50-M00290 Fig.8

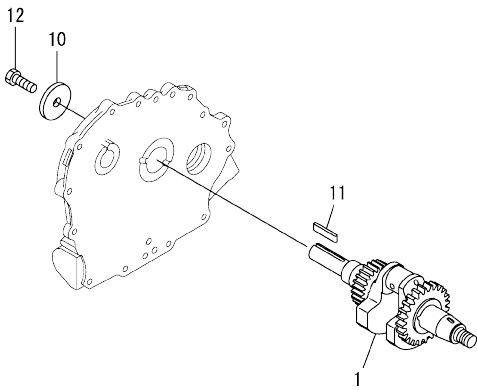


(A)=L48N5CL1T1CAIC
 (B)=
 (C)=

(D)=
 (E)=
 (F)=

No.	Lev.	Parts No.	Description	Q'ty					
				(A)	(B)	(C)	(D)	(E)	(F)
1	1	71429C-14010	CAMSHAFT ASSY	1					
6	1	114299-14200	TAPPET	2					
7	1	114771-14260	TAPPET	1					
8	1	114250-14451	ROD ASSY, PUSH	2					

Fig.9. CRANKSHAFT

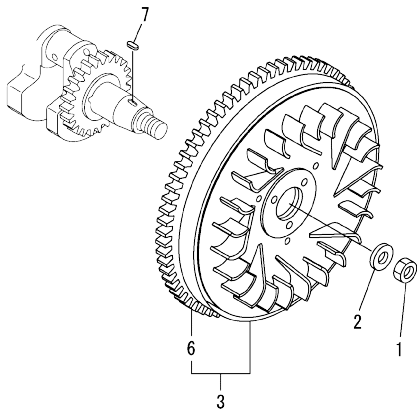


(A)=L48N5CL1T1CAIC
(B)=
(C)=

(D)=
(E)=
(F)=

No.	Lev.	Parts No.	Description	Q'ty					
				(A)	(B)	(C)	(D)	(E)	(F)
1	1	11429C-21750	CRANKSHAFT ASSY,E-D	1					
10	1	160310-14550	WASHER	1					
11	1	160642-21150	KEY, 4.7X30	1					
12	1	160642-21250	BOLT, 5/15-24UNF	1					

OCC50-M00290 ENGINE
 Fig.10. FLYWHEEL



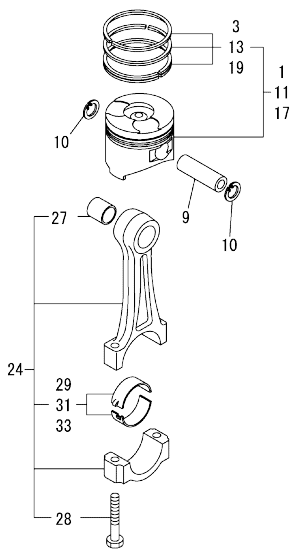
OCC50-M00290 Fig.10

(A)=L48N5CL1T1CAIC
 (B)=
 (C)=

(D)=
 (E)=
 (F)=

No.	Lev.	Parts No.	Description	Q'ty					
				(A)	(B)	(C)	(D)	(E)	(F)
1	1	114299-21220	NUT	1					
2	1	114299-21550	WASHER	1					
3	1	114299-21590	FLYWHEEL ASSY	1					
6	2	114299-21600	GEAR, RING	1					
7	1	22512-040120	KEY, 4X 12	1					

Fig.11. PISTON & CONNECTING ROD



(A)=L48N5CL1T1CAIC
(B)=
(C)=

(D)=
(E)=
(F)=

No.	Lev.	Parts No.	Description	Q'ty						I	R
				(A)	(B)	(C)	(D)	(E)	(F)		
1	1	714120-22720	PISTON ASSY, D	1							
3	2	714295-22500	RING SET, PISTON	1							
9	1	114299-22300	PIN, PISTON D=19	1							
10	1	22252-000190	RING, 19	2							
11	1	714120-22630	PISTON ASSY, 0.25 OS	1							1
13	2	714295-22560	RING SET, PISTON .25	1							1
17	1	714120-22590	PISTON ASSY, 0.50 OS	1							2
19	2	714295-22570	RING SET, PISTON .50	1							2
24	1	71429C-23010	ROD ASSY, CONNECTING	1							
24-1	1	11412C-23700	ROD ASSY, CONNECTING	1							N
		(A=2019.02)									
27	3	114770-23100	BEARING, PISTON PIN	1							
27-1	3	114740-23100	BUSH, PISTON PIN	1							N
		(A=2019.02)									
28	3	114110-23200	BOLT, CONNECTING ROD	2							
29	2	714770-23600	METAL ASSY, CRANK PIN	1							
29-1	2	114740-23600	METAL, CRANK PIN	1							N
		(A=2019.10)									
31	1	714770-23610	METAL ASSY, PIN .25	1							3
31-1	1	114740-23610	METAL, CRANK PIN 0.25	1							N 1
		(A=2019.10)									
33	1	714770-23620	METAL ASSY, PIN .50	1							4
33-1	1	114740-23620	METAL, CRANK PIN 0.50	1							N 2
		(A=2019.10)									

Remarks

- (1)Over-sized(O.S.=0.25) parts.
- (2)Over-sized(O.S.=0.50) parts.
- (3)Under-sized(U.S.=0.25) parts.
- (4)Under-sized(U.S.=0.50) parts.

Fig.12. BALANCER SHAFT

(A)=L48N5CL1T1CAIC
(B)=
(C)=

(D)=
(E)=
(F)=

No.	Lev.	Parts No.	Description	Q'ty						I	R
				(A)	(B)	(C)	(D)	(E)	(F)		
1	1	714770-28531	SHAFT ASSY, BALANCER	1							
6	1	24101-062020	BEARING, BALL 6202C3	2							

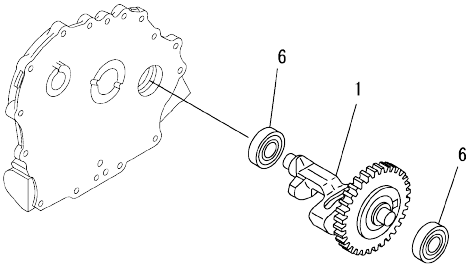
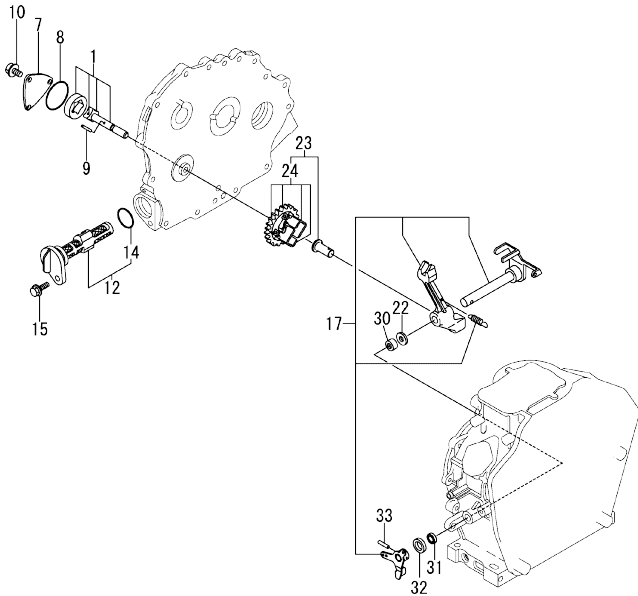


Fig.13. LUB. OIL PUMP & GOVERNOR



(A)=L48N5CL1T1CAIC
(B)=
(C)=

(D)=
(E)=
(F)=

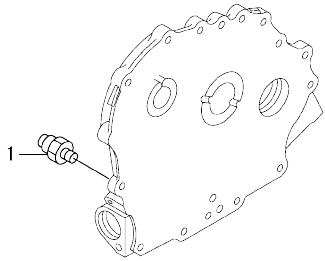
No.	Lev.	Parts No.	Description	Q'ty						I	R
				(A)	(B)	(C)	(D)	(E)	(F)		
1	1	114250-32010	PUMP ASSY, OIL	1							
7	1	114299-32070	COVER	1							
8	1	114299-32570	O-RING	1							
9	1	22312-030160	PIN, PARALLEL M3X16	1							
10	1	26106-060122	BOLT, M6X 12 PLATED	3							
12	1	114299-35110	FILTER ASSY, OIL	1							
14	2	24341-000224	O-RING, 1AS22.4	1							
15	1	26106-060162	BOLT, M6X 16 PLATED	1							
17	1	114295-61170	LEVER ASSY, GOVERNOR	1							1
22	1	114299-61190	WASHER	1							
23	1	114299-61700	GOVERNOR ASSY	1							
24	2	114299-61210	WEIGHT ASSY, GOVERNOR	1							
30	1	114770-61520	BEARING, NEEDLE	2							
31	1	114299-61600	SEAL, OIL	1							
32	1	114770-61610	WASHER, THRUST	1							
33	1	22322-030200	PIN, TAPER 3X20	1							

Remarks

(1) On a guarantee of quality component parts shall not be sold.

OCC50-M00290 ENGINE

Fig.14. HYD. OIL SWITCH



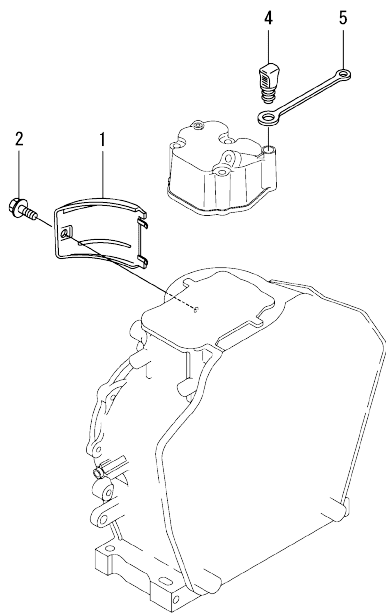
OCC50-M00290 Fig.14

(A)=L48N5CL1T1CAIC
(B)=
(C)=

(D)=
(E)=
(F)=

No.	Lev.	Parts No.	Description	Q'ty						I	R
				(A)	(B)	(C)	(D)	(E)	(F)		
1	1	183250-39450	SWITCH, 1.0KG	1							

OCC50-M00290 ENGINE
 Fig.15. COVER



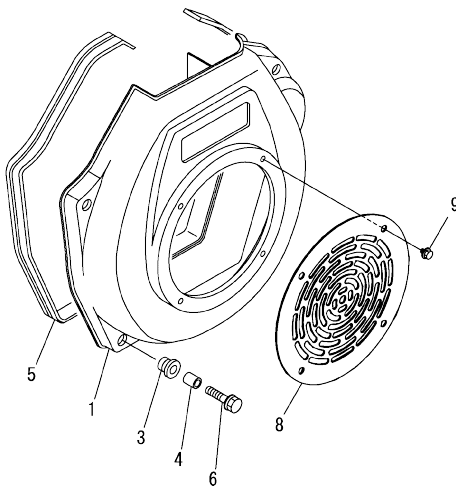
OCC50-M00290 Fig.15

(A)=L48N5CL1T1CAIC
 (B)=
 (C)=

(D)=
 (E)=
 (F)=

No.	Lev.	Parts No.	Description	Q'ty					
				(A)	(B)	(C)	(D)	(E)	(F)
1	1	114299-45210	COVER	1					
2	1	26106-060122	BOLT, M6X 12 PLATED	1					
4	1	114299-76600	PLUNGER	1					
5	1	114299-76610	HOLDER, PLUNGER	1					

Fig.16. COOLING FAN CASE

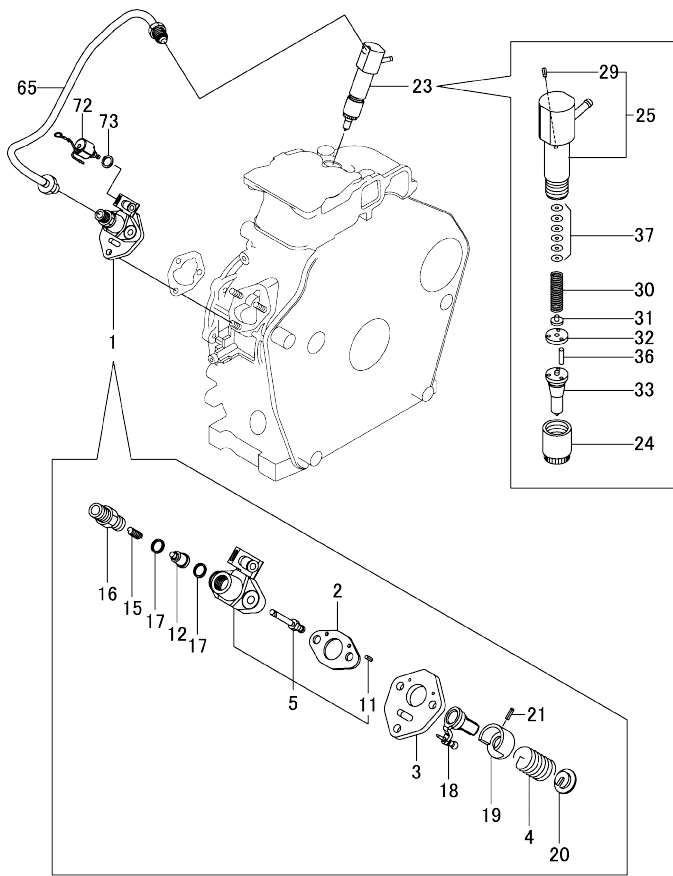


(A)=L48N5CL1T1CAIC
(B)=
(C)=

(D)=
(E)=
(F)=

No.	Lev.	Parts No.	Description	Q'ty					
				(A)	(B)	(C)	(D)	(E)	(F)
1	1	114295-45150	CASE, COOLING FAN	1					
3	1	114299-45301	RUBBER, CUSHION	4					
4	1	114299-45310	COLLAR	4					
5	1	114120-45330	SEAL, FAN CASE	1					
6	1	114299-45350	BOLT, FAN CASE	4					
8	1	114120-45180	COVER, DUST	1					
9	1	26106-060082	BOLT, M6X 8 PLATED	4					

Fig.17. FUEL INJECTION PUMP & FUEL INJECTION VALVE

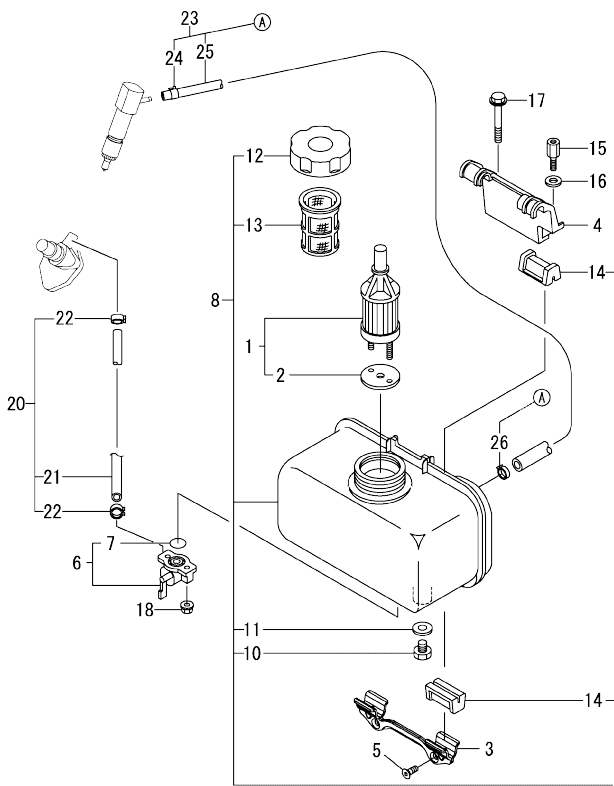


(A)=L48N5CL1T1CAIC
(B)=
(C)=

(D)=
(E)=
(F)=

No.	Lev.	Parts No.	Description	Q'ty						I	R
				(A)	(B)	(C)	(D)	(E)	(F)		
1	1	714139-51310	F.I.PUMP ASSY	1							
2	2	105546-51020	GASKET	1							
3	2	114250-51080	PLATE	1							
4	2	114250-51160	SPRING, PLUNGER	1							
5	2	114139-51200	BODY ASSY, PUMP	1							
11	4	22351-020006	PIN, SPRING 2.0X 6	2							
12	2	114250-51300	VALVE ASSY, DELIVERY	1							
15	2	105546-51330	SPRING, DELIVERY	1							
16	2	114250-51340	HOLDER, DELIVERY	1							
17	2	124550-51350	GASKET, DELIVERY	2							
18	2	114250-51500	LEVER, CONTROL	1							
19	2	114250-51640	SEAT, SPRING A	1							
20	2	114250-51650	SEAT, SPRING B	1							
21	2	22351-030008	PIN, SPRING 3.0X 8	1							
23	1	714139-53200	VALVE ASSY, INJECTION	1							
24	2	114250-53080	NUT, NOZZLE D16.95	1							
25	2	114139-53100	HOLDER ASSY, NOZZLE	1							
29	3	22351-025005	PIN, SPRING 2.5X 6	1							
30	2	114250-53120	SPRING, NOZZLE	1							
31	2	114250-53130	SEAT, SPRING	1							
32	2	114250-53140	PLATE	1							
33	2	114139-53200	NOZZLE ASSY	1							
36	2	114250-53210	PIN	2							
37	2	119803-53400	SHIM SET	1							
65	1	114120-59800	PIPE ASSY, INJECTION	1							
72	1	114110-76910	VALVE ASSY, F/O CUT	1							
73	1	114299-83020	GASKET, 10X1.2	1							

Fig.18. FUEL TANK & FUEL PIPE

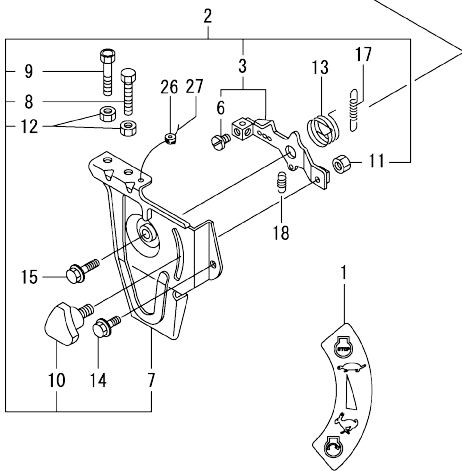
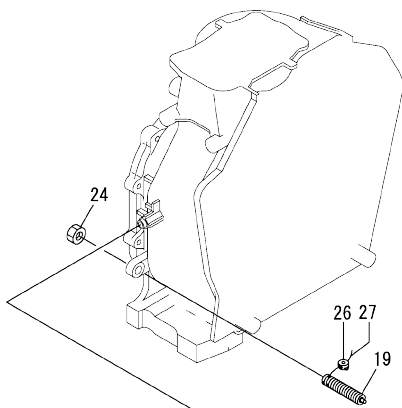


No.	Lev.	Parts No.	Description	Qty						I	R
				(A)	(B)	(C)	(D)	(E)	(F)		
1	1	114250-55121	FILTER ASSY, FUEL	1							
2	2	114250-55130	GASKET	1							
3	1	114299-55220	STAY, FUEL TANK A	1							
4	1	114299-55230	STAY, FUEL TANK B	1							
5	1	114210-55300	BOLT	2							
6	1	114250-55301	COCK ASSY, FUEL	1							
7	2	24341-000150	O-RING, 1AS15.0	1							
8	1	11429C-55710	TANK ASSY, FUEL	1							
10	2	114299-55080	PLUG, DRAIN	1							
11	2	23414-080000	GASKET, 8X1.0	1							
12	2	114299-55040	CAP ASSY, FUEL TANK	1							
13	2	114299-55100	ELEMENT, FUEL FILTER	1							
14	2	114250-55201	DAMPER, FUEL TANK	4							
15	1	114210-55810	BOLT, LIFTING	1							
16	1	22117-080000	WASHER, 8	1							
17	1	26106-080452	BOLT, M8X 45 PLATED	1							
18	1	26366-060002	NUT, M6	2							
20	1	114780-59010	PIPE ASSY, FUEL L50	1							
21	2	114780-59060	PIPE, FUEL L=50	1							
22	2	23080-014000	CLAMP, 14	2							
23	1	114120-59300	PIPE ASSY, RETURN	1							
23-1	1	114120-59301	PIPE ASSY, FO RETURN	1							N
		(A=2019.03)									
24	2	124722-59050	CLAMP, HOSE 9	1							
25	2	114650-59060	PIPE, FUEL RETURN	1							
25-1	2	114650-59061	PIPE, FO RETURN	1							N
		(A=2019.03)									
26	2	124066-59100	CLAMP, HOSE 8	1							

Fig.19. CONTROL EQUIPMENT

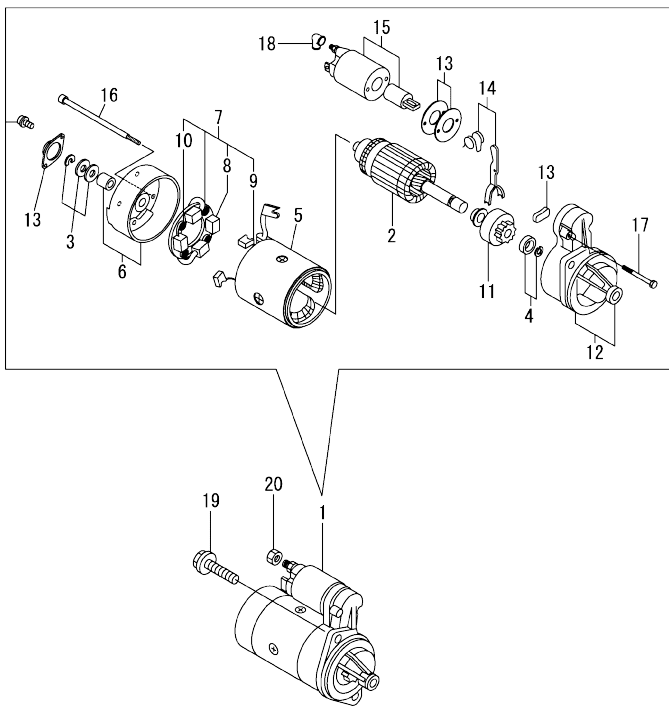
(A)=L48N5CL1T1CAIC
(B)=
(C)=

(D)=
(E)=
(F)=



No.	Lev.	Parts No.	Description	Q'ty						I	R
				(A)	(B)	(C)	(D)	(E)	(F)		
1	1	114220-07160	LABEL, THAI	1							
2	1	714210-66100	SPEED CTRL, THAI	1							
3	2	114210-66060	HANDLE ASY,REGULATOR	1							
6	3	26117-050089	BOLT, M5X 8 PLATED	1							
7	2	114210-66100	BRACKET, REGULATOR	1							
8	2	114299-66440	BOLT, ADJUSTING	1							
9	2	114299-67080	BOLT, ADJUSTING	1							
10	2	160725-78350	KNOB	1							
11	2	26347-060002	NUT, M6	1							
12	2	26857-060002	NUT, M6	2							
13	1	114299-66250	SPRING, RETURN	1							
14	1	26106-060142	BOLT, M6X 14 PLATED	1							
15	1	26106-060202	BOLT, M6X 20 PLATED	1							
17	1	114770-66010	SPRING, REGULATOR	1							
18	1	114299-66201	SPRING, RETURN	1							
19	1	114211-66600	LIMITER ASSY, FUEL	1							
24	1	26776-100002	NUT, LOCK M10	1							
26	1	114780-61090	TIN	2							
27	1	22451-060000	WIRE, 0.6	2							

Fig.20. STARTER MOTOR

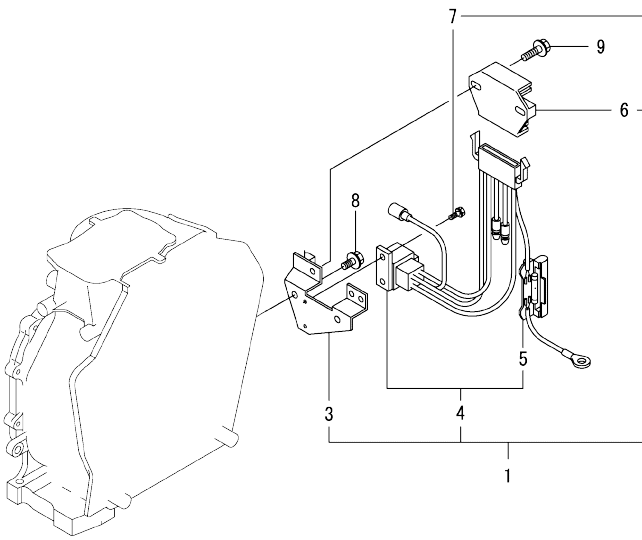


(A)=L48N5CL1T1CAIC
(B)=
(C)=

(D)=
(E)=
(F)=

No.	Lev.	Parts No.	Description	Q'ty						I	R
				(A)	(B)	(C)	(D)	(E)	(F)		
1	1	114362-77011	STARTER	1							
2	2	114381-77110	ARMATURE	1							
3	2	X2114811000	WASHER KIT, THRUST	1							
4	2	X2114715500	STOPPER SET	1							
5	2	114381-77130	COIL ASSY, FIELD	1							
6	2	114381-77140	COVER	1							
7	2	114371-77160	HOLDER ASSY, BRUSH	1							
8	3	114371-79040	BRUSH	2							
9	3	114371-79050	BRUSH	1							
10	3	114371-79060	SPRING	4							
11	2	X211485016	PINION ASSY	1							
12	2	114381-77151	CASE ASSY	1							
13	2	114371-77170	COVER ASSY, DUST	1							
14	2	114371-77180	LEVER KIT, SHIFT	1							
15	2	124298-77020	SWITCH, MAGNETIC	1							
16	2	124195-77770	BOLT, THROUGH	2							
17	2	114371-79070	BOLT	2							
18	2	X2114274200	COVER	1							
19	1	26106-100302	BOLT, M10X 30 PLATED	2							
20	1	26716-080002	NUT, M8	1							

Fig.21. ELECTRIC PARTS



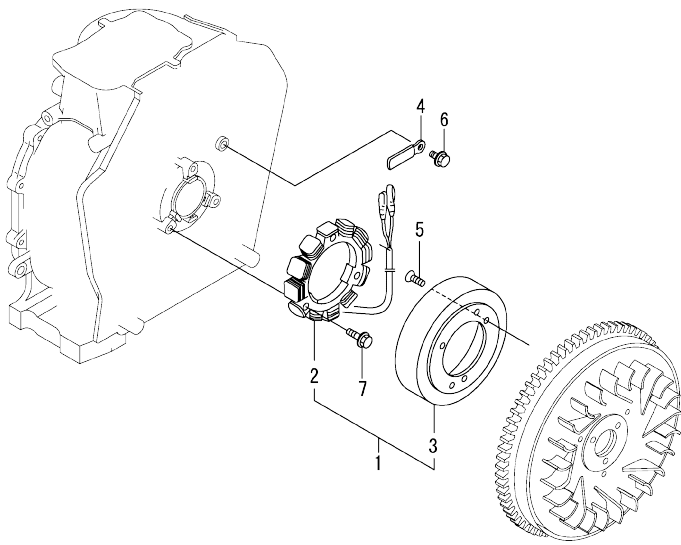
(A)=L48N5CL1T1CAIC
(B)=
(C)=

(D)=
(E)=
(F)=

No.	Lev.	Parts No.	Description	Q'ty						I	R
				(A)	(B)	(C)	(D)	(E)	(F)		
1	1	114399-77550	REG. & HARNESS ASSY	1							
3	3	114399-77400	BRACKET, HARNESS	1							
4	3	114399-77540	HARNESS, WIRE	1							
5	4	114399-78000	FUSE(20A)	1							
6	2	114399-77710	REGULATOR	1							
7	2	26023-040102	SCREW, M4X10	2							
8	1	26106-060122	BOLT, M6X 12 PLATED	2							
9	1	26106-060202	BOLT, M6X 20 PLATED	2							

OCC50-M00290 ENGINE
 Fig.22. DYNAMO

OCC50-M00290 Fig.22



(A)=L48N5CL1T1CAIC
 (B)=
 (C)=

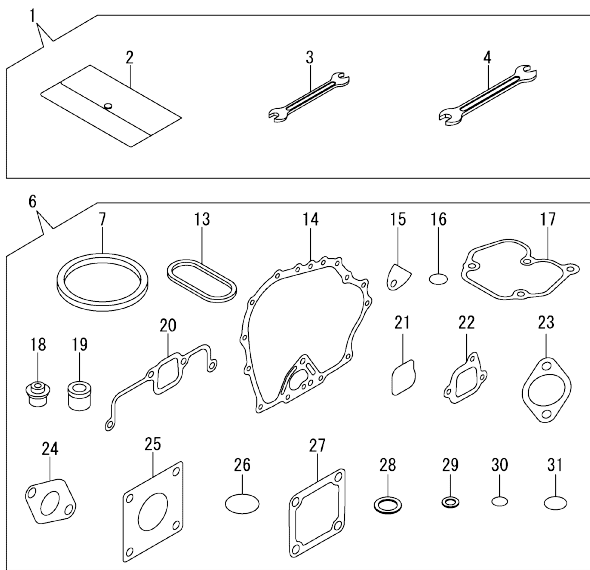
(D)=
 (E)=
 (F)=

No.	Lev.	Parts No.	Description	Q'ty					
				(A)	(B)	(C)	(D)	(E)	(F)
1	1	114399-78260	DYNAMO ASSY	1					
2	2	114399-78730	STATOR ASSY	1					
3	2	114399-78740	WHEEL, DYNAMO	1					
4	1	160710-78710	CLAMP, CORD	1					
5	1	114210-78800	SCREW,COUNTERSUNK M6	3					
6	1	26106-060122	BOLT, M6X 12 PLATED	1					
7	1	26106-060202	BOLT, M6X 20 PLATED	3					

Fig.24. TOOL & GASKET SET

(A)=L48N5CL1T1CAIC
(B)=
(C)=

(D)=
(E)=
(F)=



No.	Lev.	Parts No.	Description	Q'ty						I	R
				(A)	(B)	(C)	(D)	(E)	(F)		
1	1	114299-92590	BOX, TOOL	1							
2	2	114299-92600	BAG, TOOL	1							
3	2	114299-92710	WRENCH	1							
4	2	114299-92720	WRENCH	1							
6	1	114120-92600	GASKET SET	1							1
7	2	114295-01330	GASKET, HEAD	1							
13	2	114299-01380	O-RING	1							
14	2	114299-01410	GASKET, CRANK CASE	1							
15	2	114250-01841	GASKET	1							
16	2	114299-01950	O-RING, 18	2							
17	2	114771-11310	GASKET, BONNET	1							
18	2	114250-11341	SEAL, VALVE STEM	2							
19	2	114771-11461	GASKET, NOZZLE	1							
20	2	114771-12200	GASKET	1							
21	2	114288-12210	O-RING	1							
22	2	114299-12210	GASKET, AIR CLEANER	2							
23	2	114299-12920	GASKET, AIR CLEANER	1							
24	2	114299-13200	GASKET, MUFFLER	1							
25	2	114299-21980	GASKET	1							
26	2	114299-32570	O-RING	1							
27	2	129100-77510	GASKET	3							
28	2	22190-160002	WASHER, SEAL 16	2							
29	2	23414-080000	GASKET, 8X1.0	1							
30	2	24341-000150	O-RING, 1AS15.0	1							
31	2	24341-000224	O-RING, 1AS22.4	1							

Remarks
(1)Optional parts.

Parts No. Index

Parts No.	Fig. No.	Ref. No.	Parts No.	Fig. No.	Ref. No.	Parts No.	Fig. No.	Ref. No.	Parts No.	Fig. No.	Ref. No.
105546-51020	17	2	114250-14451	8	8	114299-12920	24	23	11429C-55710	18	8
105546-51330	17	15	114250-32010	13	1	114299-13200	7	1	11431C-13720	7	5
114110-01020	1	1	114250-51080	17	3		24	24	114351-77520	23	1
114110-11910	4	27	114250-51160	17	4	114299-14200	8	6	114362-77011	20	1
114110-23200	11	28	114250-51300	17	12	114299-21220	10	1	114371-77160	20	7
114110-76910	17	72	114250-51340	17	16	114299-21550	10	2	114371-77170	20	13
114111-01450	1	32 -1	114250-51500	17	18	114299-21590	10	3	114371-77180	20	14
114120-11120	4	8	114250-51640	17	19	114299-21600	10	6	114371-79040	20	8
114120-12550	6	3	114250-51650	17	20	114299-21980	24	25	114371-79050	20	9
114120-45180	16	8	114250-53080	17	24	114299-22300	11	9	114371-79060	20	10
114120-45330	16	5	114250-53120	17	30	114299-32070	13	7	114371-79070	20	17
114120-59300	18	23	114250-53130	17	31	114299-32570	13	8	114381-77110	20	2
114120-59301	18	23 -1	114250-53140	17	32		24	26	114381-77130	20	5
114120-59800	17	65	114250-53210	17	36	114299-35110	13	12	114381-77140	20	6
114120-92600	24	6	114250-55121	18	1	114299-35150	1	38	114381-77151	20	12
11412C-23700	11	24 -1	114250-55130	18	2	114299-45210	15	1	114399-77400	21	3
114139-51200	17	5	114250-55201	18	14	114299-45301	16	3	114399-77540	21	4
114139-53100	17	25	114250-55301	18	6	114299-45310	16	4	114399-77550	21	1
114139-53200	17	33	114288-12210	24	21	114299-45350	16	6	114399-77710	21	6
114210-55300	18	5	114295-01330	24	7	114299-55040	18	12	114399-78000	21	5
114210-55810	18	15	114295-01340	1	10	114299-55080	18	10	114399-78260	22	1
114210-66060	19	3	114295-11951	4	35	114299-55100	18	13	114399-78730	22	2
114210-66100	19	7	114295-45150	16	1	114299-55220	18	3	114399-78740	22	3
114210-78800	22	5	114295-61170	13	17	114299-55230	18	4	114650-59060	18	25
114211-66600	19	19	114299-01200	1	5	114299-61190	13	22	114650-59061	18	25 -1
114220-07100	3	2	114299-01210	1	6	114299-61210	13	24	114740-02110	1	35 -1
114220-07110	3	4	114299-01220	1	7	114299-61600	13	31	114740-02200	1	41 -1
114220-07130	3	12	114299-01230	1	8	114299-61700	13	23	114740-02210	1	42 -1
114220-07160	3	8	114299-01380	1	11	114299-66201	19	18	114740-23100	11	27 -1
	19	1		24	13	114299-66250	19	13	114740-23600	11	29 -1
114240-11450	4	23	114299-01410	1	31	114299-66440	19	8	114740-23610	11	31 -1
114240-11550	4	24		24	14	114299-67080	19	9	114740-23620	11	33 -1
114250-01841	1	25	114299-01450	1	32	114299-76600	15	4	114770-23100	11	27
	24	15	114299-01600	1	12	114299-76610	15	5	114770-61520	13	30
114250-02100	1	35	114299-01690	2	1	114299-83020	17	73	114770-61610	13	32
114250-02113	1	45	114299-01760	2	2	114299-92590	24	1	114770-66010	19	17
114250-02200	1	41	114299-01800	1	13	114299-92600	24	2	114771-11310	4	34
114250-02210	1	42	114299-01830	1	24	114299-92710	24	3		24	17
114250-03591	4	37	114299-01950	2	4	114299-92720	24	4	114771-11461	24	19
114250-11180	4	9		24	16	11429C-11030	4	1	114771-12010	5	1
114250-11240	4	14	114299-02030	1	44	11429C-11100	4	6	114771-12200	5	2
		18	114299-02220	1	46	11429C-11110	4	7		24	20
114250-11341	4	21	114299-03640	4	40	11429C-11250	4	10	114771-14260	8	7
	24	18	114299-07101	3	3	11429C-11260	4	11	114780-59010	18	20
114250-12520	6	4	114299-07111	3	5	11429C-11650	4	12	114780-59060	18	21
114250-12530	6	5	114299-11600	4	25	11429C-11660	4	16	114780-61090	19	26
114250-12550	6	8	114299-11901	4	26	11429C-13500	7	2	119260-11370	4	22
114250-12560	6	6	114299-12210	6	1	11429C-13510	7	2 -1	119803-53400	17	37
114250-12570	6	3 -1		24	22	11429C-13700	7	4	124066-59100	18	26
114250-12581	6	7	114299-12300	6	2	11429C-21750	9	1	124195-77770	20	16

Parts No. Index

Parts No.	Fig. No.	Ref. No.
124298-77020	20	15
124550-51350	17	17
124722-59050	18	24
124950-01250	1	9
129100-77510	24	27
160210-02220	1	47
160310-14550	9	10
160642-21150	9	11
160642-21250	9	12
160710-78710	22	4
160725-78350	19	10
183250-39450	14	1
22117-080000	18	16
22190-160002	2	5
	24	28
22242-000120	4	20
22252-000190	11	10
22312-030160	4	43
	13	9
22312-040080	1	26
22322-030200	13	33
22351-020006	17	11
22351-025005	17	29
22351-030008	17	21
22351-040008	4	28
22451-060000	19	27
22512-040120	10	7
23080-014000	18	22
23414-080000	18	11
	24	29
24101-062020	12	6
24162-152112	1	48
24341-000150	18	7
	24	30
24341-000224	13	14
	24	31
26023-040102	21	7
26106-060082	16	9
26106-060122	13	10
	15	2
	21	8
	22	6
26106-060142	7	9
	19	14
26106-060162	13	15
26106-060202	19	15
	21	9
	22	7
26106-060252	1	39
	5	4

Parts No.	Fig. No.	Ref. No.
26106-060452	4	29
26106-060552	4	46
26106-080122	1	49
26106-080162	7	9 -1
26106-080352	1	40
26106-080452	18	17
26106-100302	20	19
26117-050089	19	6
26216-080182	7	8
26226-060142	5	5
26226-060182	1	27
26226-060222	1	28
26226-060602	5	6
26306-080002	7	6
26347-060002	19	11
26366-060002	1	29
	4	30
	18	18
26716-080002	20	20
26776-100002	19	24
26856-060002	4	15
		19
26857-060002	19	12
27310-055001	4	31
714120-22590	11	17
714120-22630	11	11
714120-22720	11	1
714139-51310	17	1
714139-53200	17	23
714210-66100	19	2
714295-22500	11	3
714295-22560	11	13
714295-22570	11	19
71429C-14010	8	1
71429C-23010	11	24
714770-23600	11	29
714770-23610	11	31
714770-23620	11	33
714770-28531	12	1
X2114274200	20	18
X2114715500	20	4
X2114811000	20	3
X211485016	20	11

Parts No.	Fig. No.	Ref. No.
-----------	----------	----------

Parts No.	Fig. No.	Ref. No.
-----------	----------	----------