

OCR10-M85100EN

P R E F A C E

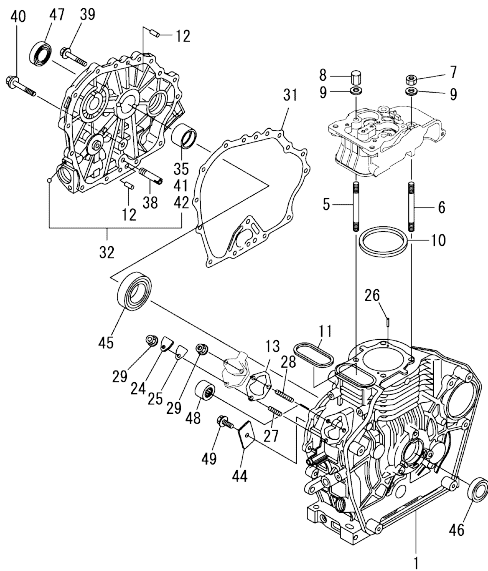
1. This Parts Catalog carries all parts incorporated in YANMAR Model L48N6CA1T1AAMS engine manufactured since February, 2012.
2. Each illustration corresponds to the parts list on the following page.
3. When ordering parts, clearly write down the engine model and serial number, as well as the name and number of each part in your order sheet. This will help insure reliable delivery of the parts you have ordered.

Contents

OCR10-M85100

Fig. No.	Fig. Name	Fig. No.	Fig. Name
L48N6CA1T1AAMS		25.	TOOL & GASKET SET
1.	CYLINDER BLOCK		
2.	DRAIN PLUG		
3.	LABEL		
4.	CYLINDER HEAD & BONNET		
5.	INTAKE MANIHOLD		
6.	AIR CLEANER		
7.	EXHAUST MUFFLER		
8.	CAMSHAFT		
9.	CRANKSHAFT		
10.	FLYWHEEL		
11.	PISTON & CONNECTING ROD		
12.	BALANCER SHAFT		
13.	LUB.OIL PUMP & GOVERNOR		
14.	OIL PRESSURE SWITCH CAP		
15.	COVER		
16.	COOLING FAN CASE		
17.	F.I.PUMP & F.I.VALVE		
18.	FUEL TANK & FUEL PIPE		
19.	SPEED CONTROL DEVICE		
20.	RECOIL STARTER		
21.	STARTING MOTOR		
22.	ELECTRICAL EQUIPMENT		
23.	KEY SWITCH		
24.	DYNAMO		

Fig.1. CYLINDER BLOCK



(A)=L48N6CA1T1AAMS
(B)=
(C)=

(D)=
(E)=
(F)=

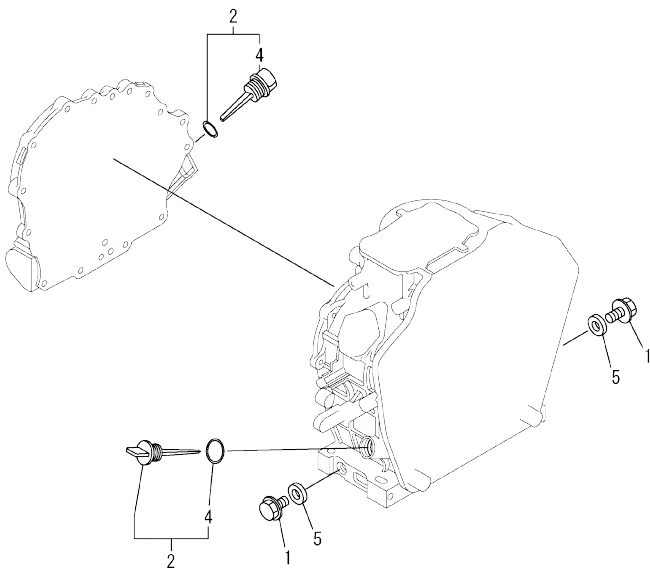
No.	Lev.	Parts No.	Description	Q'ty						I	R
				(A)	(B)	(C)	(D)	(E)	(F)		
1	1	11429C-01020	BLOCK ASSY, CYLINDER	1							
5	1	114299-01200	BOLT, HEAD A	2							
6	1	114299-01210	BOLT, HEAD B	2							
7	1	114299-01220	NUT, CYLINDER HEAD A	2							
8	1	114299-01230	NUT, CYLINDER HEAD B	2							
9	1	124950-01250	WASHER, HEAD BOLT	4							
10	1	114295-01340	GASKET, HEAD T=0.5	1							
11	1	114299-01380	O-RING	1							
12	1	114299-01600	PIN, PARALLEL 8X12	2							
13	1	114299-01800	SHIM SET, PUMP	1							
24	1	114299-01830	COVER, PUMP	1							
25	1	114250-01841	GASKET, COVER	1							
26	1	22312-040080	PIN, PARALLEL M4X 8	2							
27	1	26226-060182	STUD, M6X 18	1							
28	1	26226-060222	STUD, M6X 22	2							
29	1	26366-060002	NUT, M6	3							
31	1	114299-01410	GASKET, CRANK CASE	1							
32	1	114299-01450	COVER, CRANK CASE D	1							
32-1	1	114111-01450	COVER, CRANK CASE D	1							N
		(A=ES80135)									
35	2	114250-02100	METAL, MAIN	1							1
35-1	2	114740-02110	BEARING, MAIN	1							N 1
		(A=2019.07)									
38	1	114299-35150	PIPE, OIL INLET	1							
39	1	26106-060252	BOLT, M6X 25 PLATED	14							
40	1	26106-080352	BOLT, M8X 35 PLATED	1							
41	1	114250-02200	METAL, MAIN 0.25 US	1							2
41-1	1	114740-02200	BEARING, MAIN 0.25OS	1							N 4
		(A=2019.07)									
42	1	114250-02210	METAL, MAIN 0.50 US	1							3
42-1	1	114740-02210	BEARING, MAIN 0.50OS	1							N 5
		(A=2019.07)									
44	1	114299-02030	RETAINER, BEARING	1							
45	1	114250-02113	BEARING, HR6306G3C3	1							
46	1	114299-02220	SEAL, OIL	1							
47	1	160210-02220	SEAL, OIL 25X41.2X8	1							
48	1	24162-152112	BEARING, 152112	1							
49	1	26106-080122	BOLT, M8X 12 PLATED	1							

Remarks

- (1) Spare parts.
- (2) Under sized (U.S.=0.25) parts.
- (3) Under sized (U.S.=0.50) parts.
- (4) Over-sized (O.S.=0.25) parts.
- (5) Over-sized (O.S.=0.50) parts.

OCR10-M85100 L48N6CA1T1AAMS

Fig.2. DRAIN PLUG



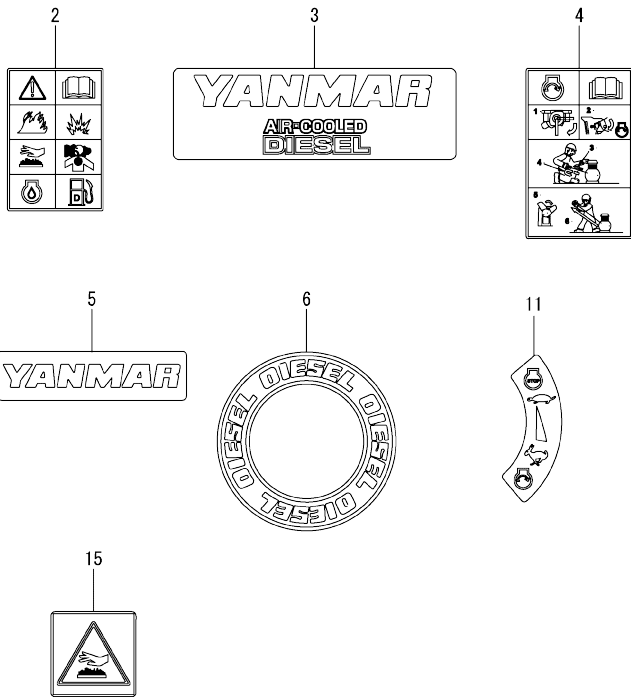
OCR10-M85100 Fig.2

(A)=L48N6CA1T1AAMS
(B)=
(C)=

(D)=
(E)=
(F)=

No.	Lev.	Parts No.	Description	Q'ty					
				(A)	(B)	(C)	(D)	(E)	(F)
1	1	114299-01690	PLUG M16	2					
2	1	114299-01760	CAP ASSY	2					
4	2	114299-01950	O-RING, 18	2					
5	1	22190-160002	WASHER, SEAL 16	2					

Fig.3. LABEL

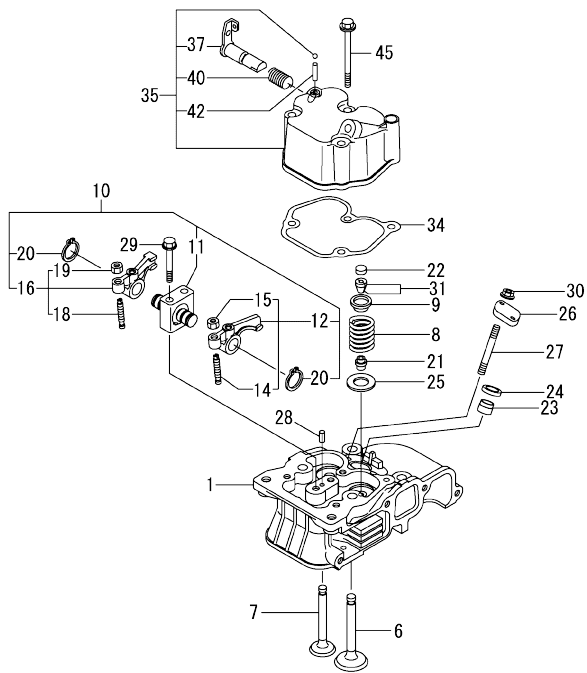


No.	Lev.	Parts No.	Description	Q'ty					
				(A)	(B)	(C)	(D)	(E)	(F)
2	1	114220-07100	LABEL, CAUTION	1					
3	1	114299-07101	LABEL, YANMAR MARK A	1					
4	1	114220-07110	LABEL HOW TO START-E	1					
5	1	114299-07111	LABEL, YANMAR MARK B	1					
6	1	114299-07160	LABEL, DIESEL	1					
11	1	114220-07160	LABEL, THAI	1					
15	1	114220-07130	LABEL, HOT SURFACE	1					

Fig.4. CYLINDER HEAD & BONNET

(A)=L48N6CA1T1AAMS
(B)=
(C)=

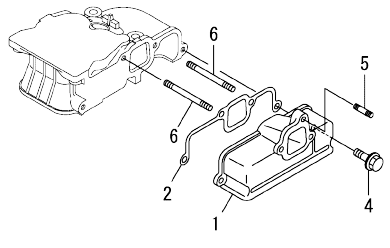
(D)=
(E)=
(F)=



No.	Lev.	Parts No.	Description	Q'ty						I	R
				(A)	(B)	(C)	(D)	(E)	(F)		
1	1	11429C-11030	HEAD ASSY, CYLINDER	1							
6	1	11429C-11100	VALVE, INTAKE	1							
7	1	11429C-11110	VALVE, EXHAUST	1							
8	1	114299-11120	SPRING, VALVE	2							
9	1	114250-11180	RETAINER, SPRING	2							
10	1	11429C-11250	SUPPORT ASSY, ARM	1							
11	2	11429C-11260	SUPPORT, ROCKER ARM	1							
12	2	11429C-11650	ARM ASSY, ROCKER	1							
14	3	114250-11240	SCREW, VALVE ADJUST	1							
15	3	26856-060002	NUT, M6	1							
16	2	11429C-11660	ARM ASSY, ROCKER	1							
18	3	114250-11240	SCREW, VALVE ADJUST	1							
19	3	26856-060002	NUT, M6	1							
20	2	22242-000120	RING, 12	2							
21	1	114250-11341	SEAL, VALVE STEM	2							
22	1	119260-11370	CAP VALVE	2							
23	1	114240-11450	PROTECTOR, NOZZLE	1							
24	1	114240-11550	SEAT, NOZZLE	1							
25	1	114299-11600	WASHER, VALVE SPRING	2							
26	1	114299-11901	RETAINER, NOZZLE	1							
27	1	114110-11910	STUD, M6X65	2							
28	1	22351-040008	PIN, SPRING 4.0X 8	1							
29	1	26106-060452	BOLT, M6X 45 PLATED	2							
30	1	26366-060002	NUT, M6	2							
31	1	27310-055001	COTTER, 5.5	2							
34	1	114771-11310	GASKET, BONNET	1							
35	1	114295-11951	BONNET ASSY, HEAD	1							
37	2	114250-03591	LEVER ASSY	1							
40	2	114299-03640	SPRING, DECOMPRESSION	1							
42	2	22312-030160	PIN, PARALLEL M3X16	1							
45	1	26106-060552	BOLT, M6X 55 PLATED	3							

OCR10-M85100 L48N6CA1T1AAMS
 Fig.5. INTAKE MANIHOLD

OCR10-M85100 Fig.5

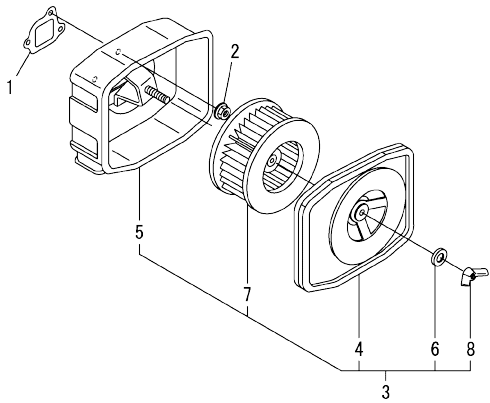


(A)=L48N6CA1T1AAMS
 (B)=
 (C)=

(D)=
 (E)=
 (F)=

No.	Lev.	Parts No.	Description	Q'ty					
				(A)	(B)	(C)	(D)	(E)	(F)
1	1	114771-12010	PIPE, AIR INTAKE	1					
2	1	114771-12200	GASKET	1					
4	1	26106-060252	BOLT, M6X 25 PLATED	2					
5	1	26226-060142	STUD, M6X 14	1					
6	1	26226-060602	STUD, M6X 60	2					

Fig.6. AIR CLEANER

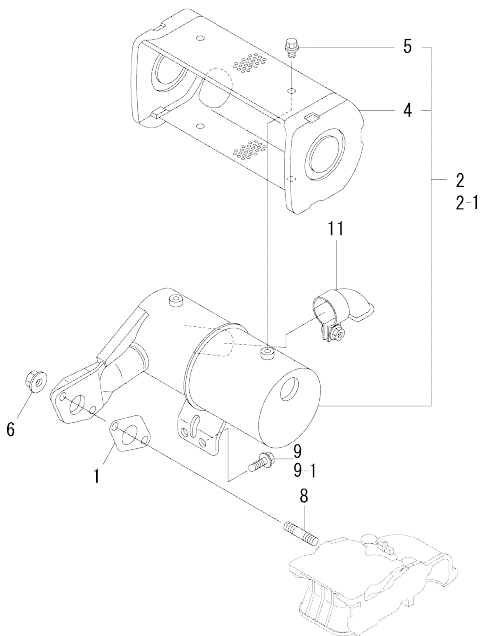


(A)=L48N6CA1T1AAMS
(B)=
(C)=

(D)=
(E)=
(F)=

No.	Lev.	Parts No.	Description	Q'ty					
				(A)	(B)	(C)	(D)	(E)	(F)
1	1	114299-12210	GASKET, AIR CLEANER	1					
2	1	114299-12300	NUT	3					
3	1	114120-12550	CLEANER ASSY, AIR	1					
4	2	114250-12520	COVER, AIR CLEANER	1					
5	2	114250-12530	CASE ASSY, CLEANER	1					
6	2	114250-12560	WASHER, SEAL M6	1					
7	2	114250-12581	ELEMENT	1					
8	1	114250-12550	NUT, WING M6	1					

Fig.7. EXHAUST MUFFLER

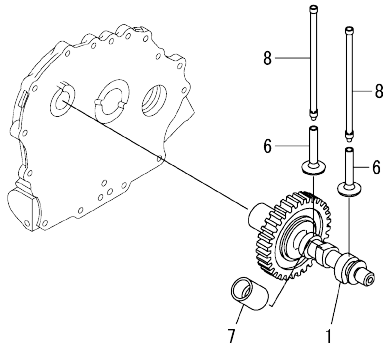


(A)=L48N6CA1T1AAMS
(B)=
(C)=

(D)=
(E)=
(F)=

No.	Lev.	Parts No.	Description	Q'ty						I	R
				(A)	(B)	(C)	(D)	(E)	(F)		
1	1	114299-13200	GASKET, MUFFLER	1							
2	1	11429C-13500	MUFFLER ASSY, E-D	1							
2-1	1	11429C-13510	MUFFLER ASSY, E-D	1							S
(A=ES87926)											
4	2	11429C-13700	COVER	1							
5	2	11431C-13720	BOLT, M6	4							
6	1	26366-080002	NUT, M8	2							
8	1	26216-080182	STUD, M8X 18	2							
9	1	26106-060142	BOLT, M6X 14 PLATED	2							
9-1	1	26106-080162	BOLT, M8X 16 PLATED	2							S
(A=ES87926)											
11	1	114299-13800	EXTENSION ASSY	1							

Fig.8. CAMSHAFT



(A)=L48N6CA1T1AAMS
(B)=
(C)=

(D)=
(E)=
(F)=

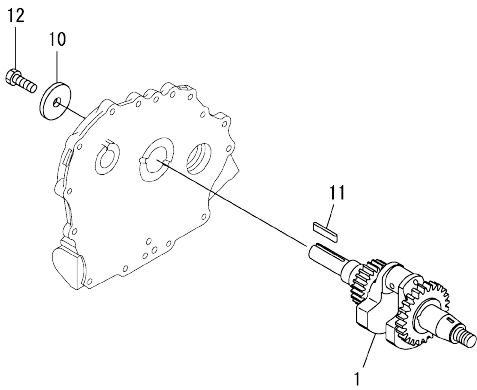
No.	Lev.	Parts No.	Description	Q'ty					
				(A)	(B)	(C)	(D)	(E)	(F)
1	1	71429C-14010	CAMSHAFT ASSY	1					
6	1	114299-14200	TAPPET	2					
7	1	114771-14260	TAPPET	1					
8	1	114250-14451	ROD ASSY, PUSH	2					

OCR10-M85100 L48N6CA1T1AAMS
 Fig.9. CRANKSHAFT

OCR10-M85100 Fig.9

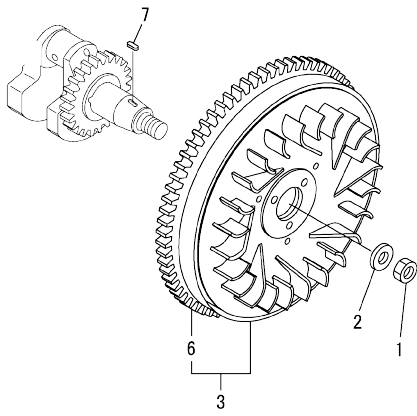
(A)=L48N6CA1T1AAMS
 (B)=
 (C)=

(D)=
 (E)=
 (F)=



No.	Lev.	Parts No.	Description	Q'ty					
				(A)	(B)	(C)	(D)	(E)	(F)
1	1	11429C-21750	CRANKSHAFT ASSY,E-D	1					
10	1	160310-14550	WASHER	1					
11	1	160642-21150	KEY, 4.7X30	1					
12	1	160642-21250	BOLT, 5/15-24UNF	1					

Fig.10. FLYWHEEL

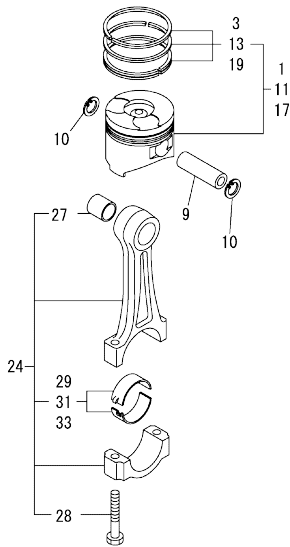


(A)=L48N6CA1T1AAMS
(B)=
(C)=

(D)=
(E)=
(F)=

No.	Lev.	Parts No.	Description	Q'ty					
				(A)	(B)	(C)	(D)	(E)	(F)
1	1	114299-21220	NUT	1					
2	1	114299-21550	WASHER	1					
3	1	114299-21590	FLYWHEEL ASSY	1					
6	2	114299-21600	GEAR, RING	1					
7	1	22512-040120	KEY, 4X 12	1					

Fig.11. PISTON & CONNECTING ROD



(A)=L48N6CA1T1AAMS
(B)=
(C)=

(D)=
(E)=
(F)=

No.	Lev.	Parts No.	Description	Q'ty						I	R
				(A)	(B)	(C)	(D)	(E)	(F)		
1	1	714120-22720	PISTON ASSY, D	1							
3	2	714295-22500	RING SET, PISTON	1							
9	1	114299-22300	PIN, PISTON D=19	1							
10	1	22252-000190	RING, 19	2							
11	1	714120-22630	PISTON ASSY, 0.25 OS	1							1
13	2	714295-22560	RING SET, PISTON .25	1							1
17	1	714120-22590	PISTON ASSY, 0.50 OS	1							2
19	2	714295-22570	RING SET, PISTON .50	1							2
24	1	71429C-23010	ROD ASSY, CONNECTING	1							
24-1	1	11412C-23700	ROD ASSY, CONNECTING	1							N
		(A=ES80135)									
27	2	114770-23100	BEARING, PISTON PIN	1							
27-1	2	114740-23100	BUSH, PISTON PIN	1							N
		(A=ES80135)									
28	2	114110-23200	BOLT, CONNECTING ROD	2							
29	2	714770-23600	METAL ASSY, CRANK PIN	1							
29-1	2	114740-23600	METAL, CRANK PIN	1							N
		(A=2019.10)									
31	1	714770-23610	METAL ASSY, PIN .25	1							3
31-1	1	114740-23610	METAL, CRANK PIN 0.25	1							N 1
		(A=2019.10)									
33	1	714770-23620	METAL ASSY, PIN .50	1							4
33-1	1	114740-23620	METAL, CRANK PIN 0.50	1							N 2
		(A=2019.10)									

Remarks

- (1)Over size(O.S.=0.25)parts.
- (2)Over size(O.S.=0.50)parts.
- (3)Under size(U.S.=0.25)parts.
- (4)Under size(U.S.=0.50)parts.

OCR10-M85100 L48N6CA1T1AAMS

Fig.12. BALANCER SHAFT

OCR10-M85100 Fig.12

(A)=L48N6CA1T1AAMS
(B)=
(C)=

(D)=
(E)=
(F)=

No.	Lev.	Parts No.	Description	Q'ty					
				(A)	(B)	(C)	(D)	(E)	(F)
1	1	714770-28531	SHAFT ASSY, BALANCER	1					
6	1	24101-062020	BEARING, BALL 6202C3	2					

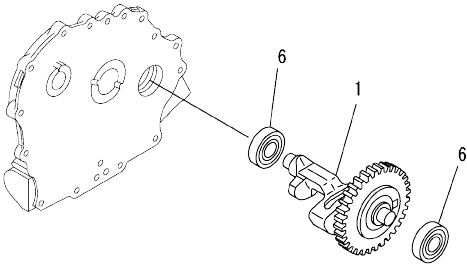
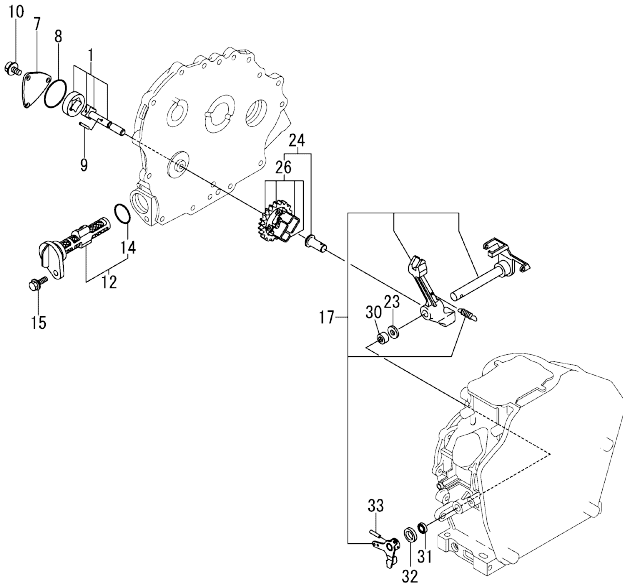


Fig.13. LUB.OIL PUMP & GOVERNOR



(A)=L48N6CA1T1AAMS
(B)=
(C)=

(D)=
(E)=
(F)=

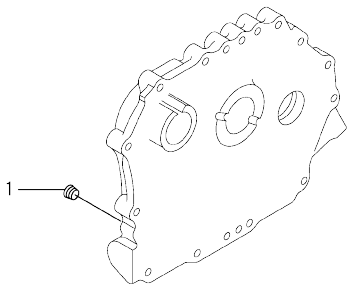
No.	Lev.	Parts No.	Description	Q'ty						I	R
				(A)	(B)	(C)	(D)	(E)	(F)		
1	1	114250-32010	PUMP ASSY, OIL	1							
7	1	114299-32070	COVER	1							
8	1	114299-32570	O-RING	1							
9	1	22312-030160	PIN, PARALLEL M3X16	1							
10	1	26106-060122	BOLT, M6X 12 PLATED	3							
12	1	114299-35110	FILTER ASSY, OIL	1							
14	2	24341-000224	O-RING, 1AS22.4	1							
15	1	26106-060162	BOLT, M6X 16 PLATED	1							
17	1	114295-61170	LEVER ASSY, GOVERNOR	1							1
23	1	114299-61190	WASHER	1							
24	1	714299-61701	GOVERNOR ASSY	1							
26	2	114299-61210	WEIGHT ASSY, GOVERNOR	1							
30	1	114770-61520	BEARING, NEEDLE	2							
31	1	114299-61600	SEAL, OIL	1							
32	1	114770-61610	WASHER, THRUST	1							
33	1	22322-030200	PIN, TAPER 3X20	1							

Remarks

(1) On a guarantee of quality component parts shall not be sold.

OCR10-M85100 L48N6CA1T1AAMS

Fig.14. OIL PRESSURE SWITCH CAP



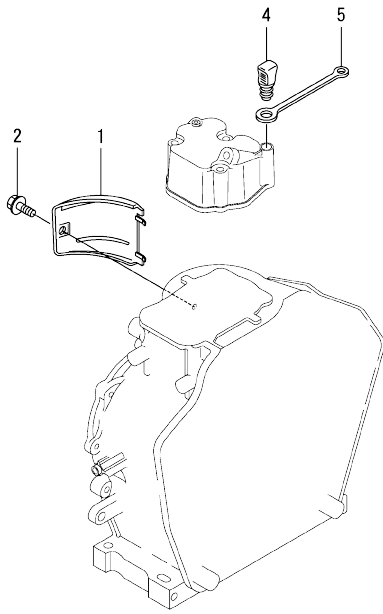
OCR10-M85100 Fig.14

(A)=L48N6CA1T1AAMS
(B)=
(C)=

(D)=
(E)=
(F)=

No.	Lev.	Parts No.	Description	Q'ty						I	R
				(A)	(B)	(C)	(D)	(E)	(F)		
1	1	23876-010000	PLUG, R01	1							

Fig.15. COVER

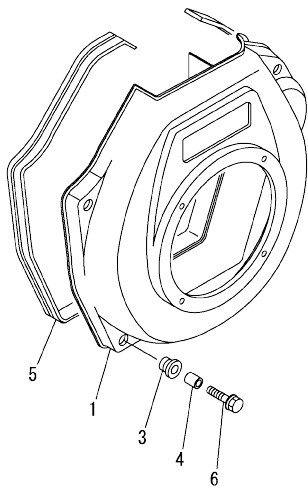


(A)=L48N6CA1T1AAMS
(B)=
(C)=

(D)=
(E)=
(F)=

No.	Lev.	Parts No.	Description	Q'ty					
				(A)	(B)	(C)	(D)	(E)	(F)
1	1	114299-45210	COVER	1					
2	1	26106-060122	BOLT, M6X 12 PLATED	1					
4	1	114299-76600	PLUNGER	1					
5	1	114299-76610	HOLDER, PLUNGER	1					

Fig.16. COOLING FAN CASE

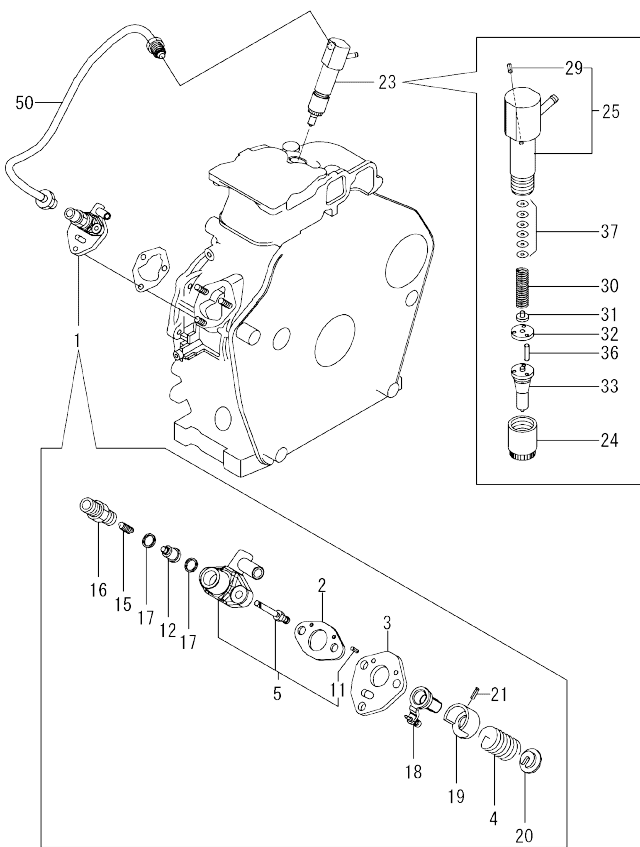


(A)=L48N6CA1T1AAMS
(B)=
(C)=

(D)=
(E)=
(F)=

No.	Lev.	Parts No.	Description	Qty						I	R	
				(A)	(B)	(C)	(D)	(E)	(F)			
1	1	114295-45150	CASE, COOLING FAN	1								
3	1	114299-45301	RUBBER, CUSHION	4								
4	1	114299-45310	COLLAR	4								
5	1	114120-45330	SEAL, FAN CASE	1								
6	1	114299-45350	BOLT, FAN CASE	4								

Fig.17. F.I.PUMP & F.I.VALVE

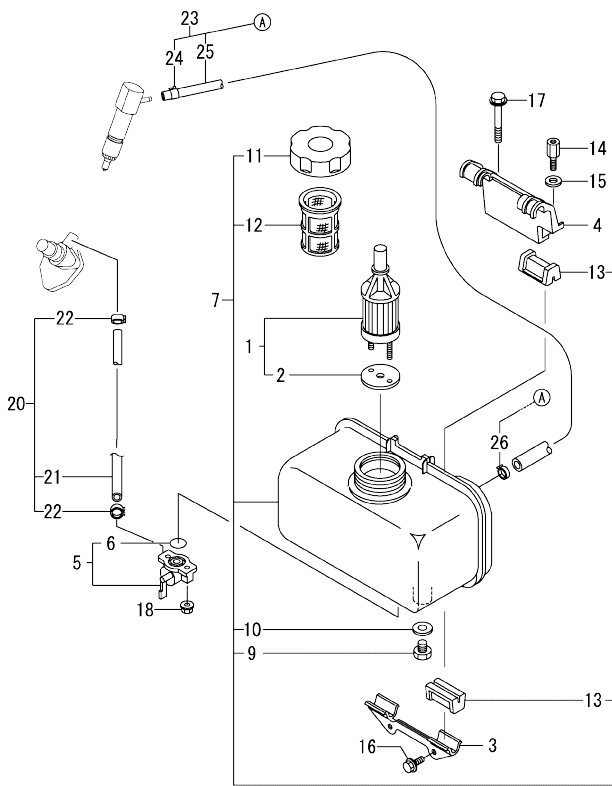


(A)=L48N6CA1T1AAMS
(B)=
(C)=

(D)=
(E)=
(F)=

No.	Lev.	Parts No.	Description	Q'ty						I	R
				(A)	(B)	(C)	(D)	(E)	(F)		
1	1	714139-51200	PUMP ASSY, INJECTION	1							
2	2	105546-51020	GASKET	1							
3	2	114250-51080	PLATE	1							
4	2	114250-51160	SPRING, PLUNGER	1							
5	2	114350-51200	BODY ASSY, PUMP	1							
11	4	22351-020006	PIN, SPRING 2.0X 6	2							
12	2	114250-51300	VALVE ASSY, DELIVERY	1							
15	2	105546-51330	SPRING, DELIVERY	1							
16	2	114250-51340	HOLDER, DELIVERY	1							
17	2	124550-51350	GASKET, DELIVERY	2							
18	2	114250-51500	LEVER, CONTROL	1							
19	2	114250-51640	SEAT, SPRING A	1							
20	2	114250-51650	SEAT, SPRING B	1							
21	2	22351-030008	PIN, SPRING 3.0X 8	1							
23	1	714139-53200	VALVE ASSY, INJECTION	1							
24	2	114250-53080	NUT, NOZZLE D16.95	1							
25	2	114139-53100	HOLDER ASSY, NOZZLE	1							
29	3	22351-025005	PIN, SPRING 2.5X 6	1							
30	2	114250-53120	SPRING, NOZZLE	1							
31	2	114250-53130	SEAT, SPRING	1							
32	2	114250-53140	PLATE	1							
33	2	114139-53200	NOZZLE ASSY	1							
36	2	114250-53210	PIN	2							
37	2	114250-53400	SHIM SET	1							
50	1	114120-59800	PIPE, FUEL INJECTION	1							

Fig.18. FUEL TANK & FUEL PIPE



(A)=L48N6CA1T1AAMS
(B)=
(C)=

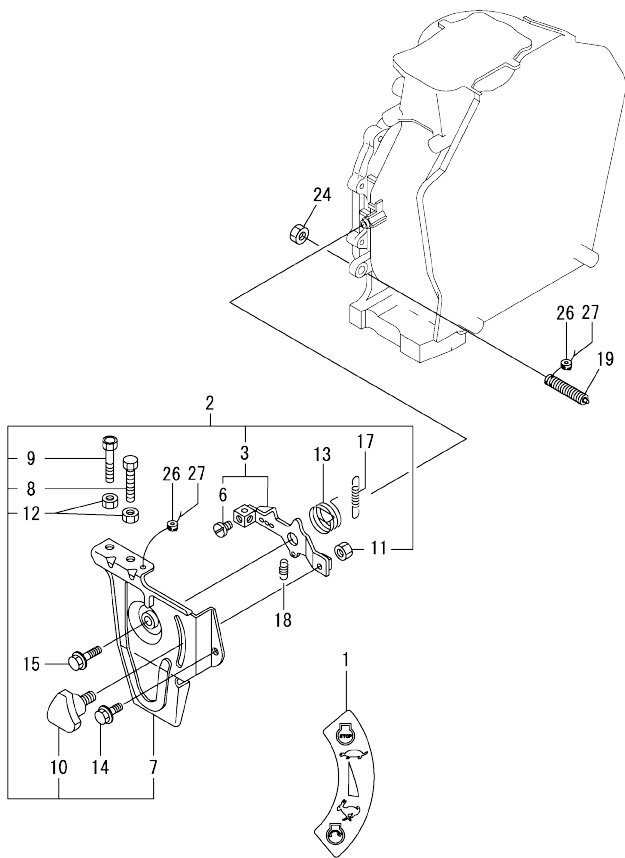
(D)=
(E)=
(F)=

No.	Lev.	Parts No.	Description	Qty						I	R
				(A)	(B)	(C)	(D)	(E)	(F)		
1	1	114250-55121	FILTER ASSY, FUEL	1							
2	2	114250-55130	GASKET	1							
3	1	114299-55210	STAY, FUEL TANK A	1							
4	1	114299-55230	STAY, FUEL TANK B	1							
5	1	114250-55301	COCK ASSY, FUEL	1							
6	2	24341-000150	O-RING, 1AS15.0	1							
7	1	11429C-55710	TANK ASSY, FUEL	1							
9	2	114299-55080	PLUG, DRAIN	1							
10	2	23414-080000	GASKET, 8X1.0	1							
11	2	114299-55040	CAP ASSY, FUEL TANK	1							
12	2	114299-55100	ELEMENT, FUEL FILTER	1							
13	2	114250-55201	DAMPER, FUEL TANK	4							
14	1	114299-55810	BOLT, LIFTING	1							
15	1	22117-080000	WASHER, 8	1							
16	1	26106-060162	BOLT, M6X 16 PLATED	2							
17	1	26106-080452	BOLT, M8X 45 PLATED	1							
18	1	26366-060002	NUT, M6	2							
20	1	114780-59010	PIPE ASSY, FUEL L50	1							
21	2	114780-59060	PIPE, FUEL L=50	1							
22	2	23080-014000	CLAMP, 14	2							
23	1	114120-59300	PIPE ASSY, RETURN	1							
23-1	1	114120-59301	PIPE ASSY, FO RETURN	1							N
		(A=2019.03)									
24	2	124722-59050	CLAMP, HOSE 9	1							
25	2	114650-59060	PIPE, FUEL RETURN	1							
25-1	2	114650-59061	PIPE, FO RETURN	1							N
		(A=2019.03)									
26	2	124066-59100	CLAMP, HOSE 8	1							

Fig.19. SPEED CONTROL DEVICE

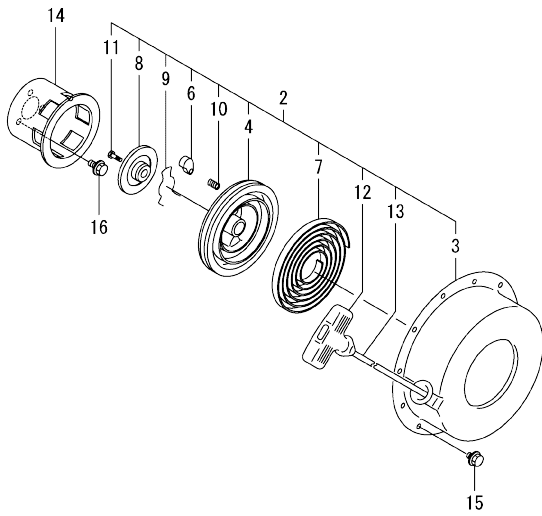
(A)=L48N6CA1T1AAMS
(B)=
(C)=

(D)=
(E)=
(F)=



No.	Lev.	Parts No.	Description	Q'ty					
				(A)	(B)	(C)	(D)	(E)	(F)
1	1	114220-07160	LABEL, THAI	1					
2	1	714210-66100	SPEED CTRL, THAI	1					
3	2	114210-66060	HANDLE ASY,REGULATOR	1					
6	3	26117-050089	BOLT, M5X 8 PLATED	1					
7	2	114210-66100	BRACKET, REGULATOR	1					
8	2	114299-66440	BOLT, ADJUSTING	1					
9	2	114299-67080	BOLT, ADJUSTING	1					
10	2	160725-78350	KNOB	1					
11	2	26347-060002	NUT, M6	1					
12	2	26757-060002	NUT, LOCK M6	2					
13	1	114299-66250	SPRING, RETURN	1					
14	1	26106-060142	BOLT, M6X 14 PLATED	1					
15	1	26106-060202	BOLT, M6X 20 PLATED	1					
17	1	114770-66010	SPRING, REGULATOR	1					
18	1	114299-66200	SPRING, RETURN	1					
19	1	114211-66600	LIMITER ASSY, FUEL	1					
24	1	26776-100002	NUT, LOCK M10	1					
26	1	114780-61090	TIN	2					
27	1	22451-060000	WIRE, 0.6	2					

Fig.20. RECOIL STARTER

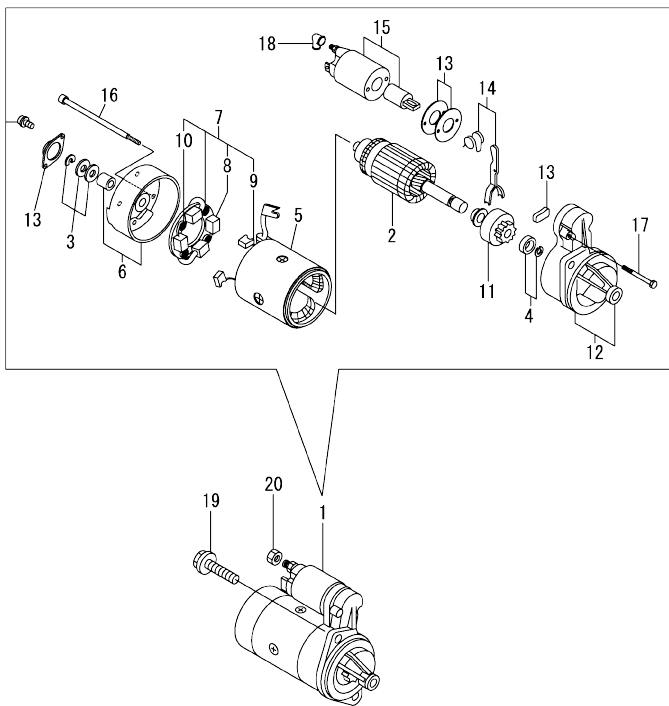


(A)=L48N6CA1T1AAMS
(B)=
(C)=

(D)=
(E)=
(F)=

No.	Lev.	Parts No.	Description	Q'ty					
				(A)	(B)	(C)	(D)	(E)	(F)
2	1	114299-76250	STARTER ASSY, RECOIL	1					
3	2	114299-76500	CASE, STARTER	1					
4	2	114299-76521	REEL	1					
6	2	114399-76531	RATCHET	1					
7	2	114399-76540	SPRING, SPIRAL	1					
8	2	114399-76550	COVER	1					
9	2	114399-76560	SPRING	1					
10	2	114399-76570	SPRING, RETURN	1					
11	2	114399-76580	SCREW	1					
12	2	114399-76620	KNOB, STARTER	1					
13	2	114299-76630	ROPE, STARTER	1					
14	1	114299-76590	PULLEY, STARTER	1					
15	1	26106-060082	BOLT, M6X 8 PLATED	4					
16	1	26106-060122	BOLT, M6X 12 PLATED	3					

Fig.21. STARTING MOTOR

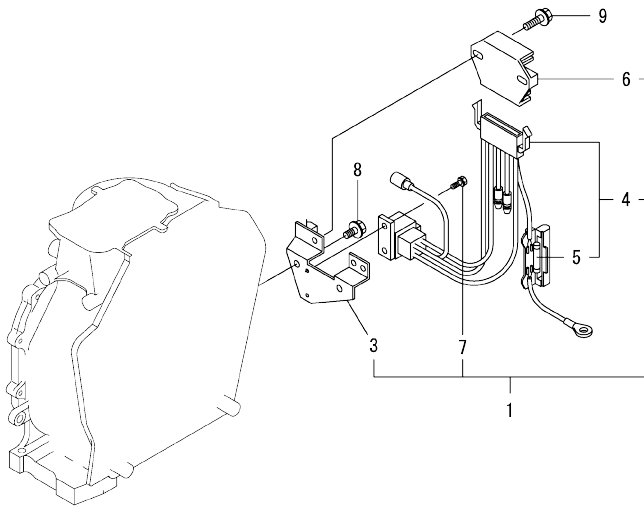


(A)=L48N6CA1T1AAMS
(B)=
(C)=

(D)=
(E)=
(F)=

No.	Lev.	Parts No.	Description	Q'ty						I	R
				(A)	(B)	(C)	(D)	(E)	(F)		
1	1	114362-77011	STARTER	1							
2	2	114381-77110	ARMATURE	1							
3	2	X2114811000	WASHER KIT, THRUST	1							
4	2	X2114715500	STOPPER SET	1							
5	2	114381-77130	COIL ASSY, FIELD	1							
6	2	114381-77140	COVER	1							
7	2	114371-77160	HOLDER ASSY, BRUSH	1							
8	3	114371-79040	BRUSH	2							
9	3	114371-79050	BRUSH	1							
10	3	114371-79060	SPRING	4							
11	2	X211485016	PINION ASSY	1							
12	2	114381-77151	CASE ASSY	1							
13	2	114371-77170	COVER ASSY, DUST	1							
14	2	114371-77180	LEVER KIT, SHIFT	1							
15	2	124298-77020	SWITCH, MAGNETIC	1							
16	2	124195-77770	BOLT, THROUGH	2							
17	2	114371-79070	BOLT	2							
18	2	X2114274200	COVER	1							
19	1	26106-100302	BOLT, M10X 30 PLATED	2							
20	1	26716-080002	NUT, M8	1							

Fig.22. ELECTRICAL EQUIPMENT

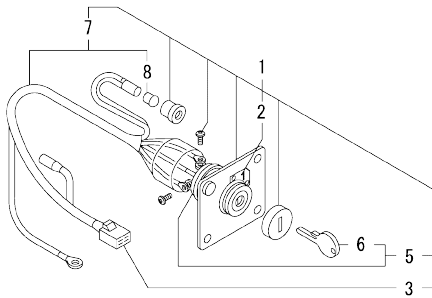


(A)=L48N6CA1T1AAMS
(B)=
(C)=

(D)=
(E)=
(F)=

No.	Lev.	Parts No.	Description	Q'ty						I	R
				(A)	(B)	(C)	(D)	(E)	(F)		
1	1	114399-77550	REG. & HARNESS ASSY	1							
3	3	114399-77400	BRACKET, HARNESS	1							
4	3	114399-77540	HARNESS, WIRE	1							
5	4	114399-78000	FUSE(20A	1							
6	2	114399-77710	REGULATOR	1							
7	2	26023-040102	SCREW, M4X10	2							
8	1	26106-060122	BOLT, M6X 12 PLATED	2							
9	1	26106-060202	BOLT, M6X 20 PLATED	2							

Fig.23. KEY SWITCH

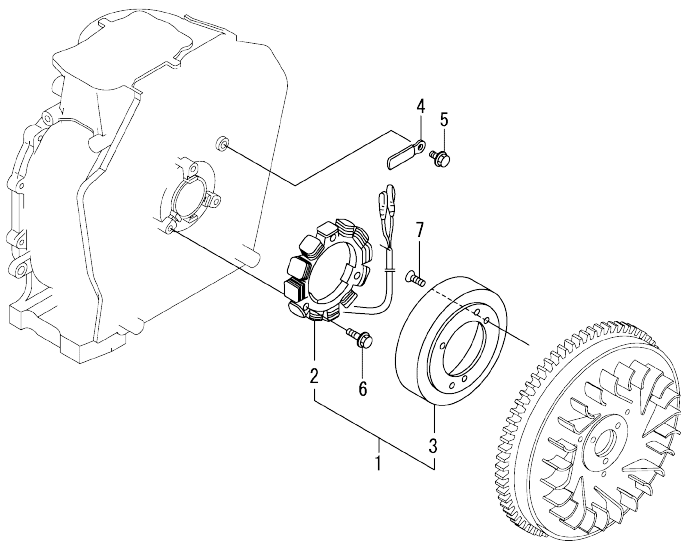


(A)=L48N6CA1T1AAMS
(B)=
(C)=

(D)=
(E)=
(F)=

No.	Lev.	Parts No.	Description	Q'ty					
				(A)	(B)	(C)	(D)	(E)	(F)
1	1	114220-77500	PANEL ASSY,KEYSWITCH	1					
2	2	114220-07170	LABEL, START SWITCH	1					
3	2	114351-77520	COUPLER	1					
5	2	106100-77620	SWITCH, KEY	1					
6	3	106100-77630	KEY, SWITCH	1					
7	2	114351-77700	HARNES, WIRE	1					
8	3	29220-083200	BULB (12V/3.4W)	1					

Fig.24. DYNAMO



(A)=L48N6CA1T1AAMS
(B)=
(C)=

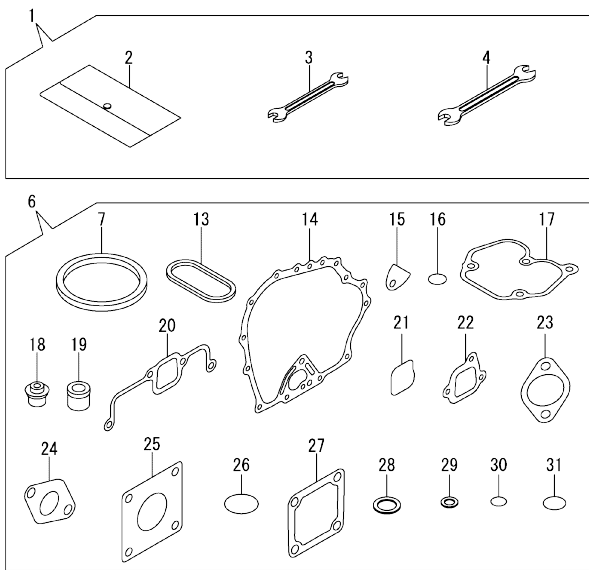
(D)=
(E)=
(F)=

No.	Lev.	Parts No.	Description	Q'ty					
				(A)	(B)	(C)	(D)	(E)	(F)
1	1	114399-78260	DYNAMO ASSY	1					
2	2	114399-78730	STATOR ASSY	1					
3	2	114399-78740	WHEEL, DYNAMO	1					
4	1	160710-78710	CLAMP, CORD	1					
5	1	26106-060122	BOLT, M6X 12 PLATED	1					
6	1	26106-060202	BOLT, M6X 20 PLATED	3					
7	1	26577-060142	SCREW M 6X 14	3					

Fig.25. TOOL & GASKET SET

(A)=L48N6CA1T1AAMS
(B)=
(C)=

(D)=
(E)=
(F)=



No.	Lev.	Parts No.	Description	Q'ty						I	R
				(A)	(B)	(C)	(D)	(E)	(F)		
1	1	114299-92590	BOX, TOOL	1							
2	2	114299-92600	BAG, TOOL	1							
3	2	114299-92710	WRENCH	1							
4	2	114299-92720	WRENCH	1							
6	1	114120-92600	GASKET SET	1							1
7	2	114295-01330	GASKET, HEAD	1							
13	2	114299-01380	O-RING	1							
14	2	114299-01410	GASKET, CRANK CASE	1							
15	2	114250-01841	GASKET	1							
16	2	114299-01950	O-RING, 18	2							
17	2	114771-11310	GASKET, BONNET	1							
18	2	114250-11341	SEAL, VALVE STEM	2							
19	2	114771-11461	GASKET, NOZZLE	1							
20	2	114771-12200	GASKET	1							
21	2	114288-12210	O-RING	1							
22	2	114299-12210	GASKET, AIR CLEANER	2							
23	2	114299-12920	GASKET, AIR CLEANER	1							
24	2	114299-13200	GASKET, MUFFLER	1							
25	2	114299-21980	GASKET	1							
26	2	114299-32570	O-RING	1							
27	2	129100-77510	GASKET	3							
28	2	22190-160002	WASHER, SEAL 16	2							
29	2	23414-080000	GASKET, 8X1.0	1							
30	2	24341-000150	O-RING, 1AS15.0	1							
31	2	24341-000224	O-RING, 1AS22.4	1							

Remarks

(1)Optional parts.

Parts No. Index

Parts No.	Fig. No.	Ref. No.
105546-51020	17	2
105546-51330	17	15
106100-77620	23	5
106100-77630	23	6
114110-11910	4	27
114110-23200	11	28
114111-01450	1	32 -1
114120-12550	6	3
114120-45330	16	5
114120-59300	18	23
114120-59301	18	23 -1
114120-59800	17	50
114120-92600	25	6
11412C-23700	11	24 -1
114139-53100	17	25
114139-53200	17	33
114210-66060	19	3
114210-66100	19	7
114211-66600	19	19
114220-07100	3	2
114220-07110	3	4
114220-07130	3	15
114220-07160	3	11
	19	1
114220-07170	23	2
114220-77500	23	1
114240-11450	4	23
114240-11550	4	24
114250-01841	1	25
	25	15
114250-02100	1	35
114250-02113	1	45
114250-02200	1	41
114250-02210	1	42
114250-03591	4	37
114250-11180	4	9
114250-11240	4	14
		18
114250-11341	4	21
	25	18
114250-12520	6	4
114250-12530	6	5
114250-12550	6	8
114250-12560	6	6
114250-12581	6	7
114250-14451	8	8
114250-32010	13	1
114250-51080	17	3
114250-51160	17	4
114250-51300	17	12

Parts No.	Fig. No.	Ref. No.
114250-51340	17	16
114250-51500	17	18
114250-51640	17	19
114250-51650	17	20
114250-53080	17	24
114250-53120	17	30
114250-53130	17	31
114250-53140	17	32
114250-53210	17	36
114250-53400	17	37
114250-55121	18	1
114250-55130	18	2
114250-55201	18	13
114250-55301	18	5
114288-12210	25	21
114295-01330	25	7
114295-01340	1	10
114295-11951	4	35
114295-45150	16	1
114295-61170	13	17
114299-01200	1	5
114299-01210	1	6
114299-01220	1	7
114299-01230	1	8
114299-01380	1	11
	25	13
114299-01410	1	31
	25	14
114299-01450	1	32
114299-01600	1	12
114299-01690	2	1
114299-01760	2	2
114299-01800	1	13
114299-01830	1	24
114299-01950	2	4
	25	16
114299-02030	1	44
114299-02220	1	46
114299-03640	4	40
114299-07101	3	3
114299-07111	3	5
114299-07160	3	6
114299-11120	4	8
114299-11600	4	25
114299-11901	4	26
114299-12210	6	1
	25	22
114299-12300	6	2
114299-12920	25	23
114299-13200	7	1

Parts No.	Fig. No.	Ref. No.
114299-13200	25	24
114299-13800	7	11
114299-14200	8	6
114299-21220	10	1
114299-21550	10	2
114299-21590	10	3
114299-21600	10	6
114299-21980	25	25
114299-22300	11	9
114299-32070	13	7
114299-32570	13	8
	25	26
114299-35110	13	12
114299-35150	1	38
114299-45210	15	1
114299-45301	16	3
114299-45310	16	4
114299-45350	16	6
114299-55040	18	11
114299-55080	18	9
114299-55100	18	12
114299-55210	18	3
114299-55230	18	4
114299-55810	18	14
114299-61190	13	23
114299-61210	13	26
114299-61600	13	31
114299-66200	19	18
114299-66250	19	13
114299-66440	19	8
114299-67080	19	9
114299-76250	20	2
114299-76500	20	3
114299-76521	20	4
114299-76590	20	14
114299-76600	15	4
114299-76610	15	5
114299-76630	20	13
114299-92590	25	1
114299-92600	25	2
114299-92710	25	3
114299-92720	25	4
11429C-01020	1	1
11429C-11030	4	1
11429C-11100	4	6
11429C-11110	4	7
11429C-11250	4	10
11429C-11260	4	11
11429C-11650	4	12
11429C-11660	4	16

Parts No.	Fig. No.	Ref. No.
11429C-13500	7	2
11429C-13510	7	2 -1
11429C-13700	7	4
11429C-21750	9	1
11429C-55710	18	7
11431C-13720	7	5
114350-51200	17	5
114351-77520	23	3
114351-77700	23	7
114362-77011	21	1
114371-77160	21	7
114371-77170	21	13
114371-77180	21	14
114371-79040	21	8
114371-79050	21	9
114371-79060	21	10
114371-79070	21	17
114381-77110	21	2
114381-77130	21	5
114381-77140	21	6
114381-77151	21	12
114399-76531	20	6
114399-76540	20	7
114399-76550	20	8
114399-76560	20	9
114399-76570	20	10
114399-76580	20	11
114399-76620	20	12
114399-77400	22	3
114399-77540	22	4
114399-77550	22	1
114399-77710	22	6
114399-78000	22	5
114399-78260	24	1
114399-78730	24	2
114399-78740	24	3
114650-59060	18	25
114650-59061	18	25 -1
114740-02110	1	35 -1
114740-02200	1	41 -1
114740-02210	1	42 -1
114740-23100	11	27 -1
114740-23600	11	29 -1
114740-23610	11	31 -1
114740-23620	11	33 -1
114770-23100	11	27
114770-61520	13	30
114770-61610	13	32
114770-66010	19	17
114771-11310	4	34

Parts No. Index

Parts No.	Fig. No.	Ref. No.
114771-11310	25	17
114771-11461	25	19
114771-12010	5	1
114771-12200	5	2
	25	20
114771-14260	8	7
114780-59010	18	20
114780-59060	18	21
114780-61090	19	26
119260-11370	4	22
124066-59100	18	26
124195-77770	21	16
124298-77020	21	15
124550-51350	17	17
124722-59050	18	24
124950-01250	1	9
129100-77510	25	27
160210-02220	1	47
160310-14550	9	10
160642-21150	9	11
160642-21250	9	12
160710-78710	24	4
160725-78350	19	10
22117-080000	18	15
22190-160002	2	5
	25	28
22242-000120	4	20
22252-000190	11	10
22312-030160	4	42
	13	9
22312-040080	1	26
22322-030200	13	33
22351-020006	17	11
22351-025005	17	29
22351-030008	17	21
22351-040008	4	28
22451-060000	19	27
22512-040120	10	7
23080-014000	18	22
23414-080000	18	10
	25	29
23876-010000	14	1
24101-062020	12	6
24162-152112	1	48
24341-000150	18	6
	25	30
24341-000224	13	14
	25	31
26023-040102	22	7
26106-060082	20	15

Parts No.	Fig. No.	Ref. No.
26106-060122	13	10
	15	2
	20	16
	22	8
	24	5
26106-060142	7	9
	19	14
26106-060162	13	15
	18	16
26106-060202	19	15
	22	9
	24	6
26106-060252	1	39
	5	4
26106-060452	4	29
26106-060552	4	45
26106-080122	1	49
26106-080162	7	9 -1
26106-080352	1	40
26106-080452	18	17
26106-100302	21	19
26117-050089	19	6
26216-080182	7	8
26226-060142	5	5
26226-060182	1	27
26226-060222	1	28
26226-060602	5	6
26347-060002	19	11
26366-060002	1	29
	4	30
	18	18
26366-080002	7	6
26577-060142	24	7
26716-080002	21	20
26757-060002	19	12
26776-100002	19	24
26856-060002	4	15
		19
27310-055001	4	31
29220-083200	23	8
714120-22590	11	17
714120-22630	11	11
714120-22720	11	1
714139-51200	17	1
714139-53200	17	23
714210-66100	19	2
714295-22500	11	3
714295-22560	11	13
714295-22570	11	19
714299-61701	13	24

Parts No.	Fig. No.	Ref. No.
71429C-14010	8	1
71429C-23010	11	24
714770-23600	11	29
714770-23610	11	31
714770-23620	11	33
714770-28531	12	1
X2114274200	21	18
X2114715500	21	4
X2114811000	21	3
X211485016	21	11

Parts No.	Fig. No.	Ref. No.
-----------	----------	----------