

0CW10-M66000EN

# P R E F A C E

1. This parts catalog is the 1st edition of L48N6CJ1F7AABR for EP BARRUS.

Pub.No. : 0CW10-G66000

Published : August, 2010

2. Model name

Engine model	Vehicle	Vehicle made by
L48N6CJ1F7AABR	LOW PRESSURE WATER PUMP	EP BARRUS

## Directions for the Parts Catalog.

1. The parts stipulated in this Parts Catalog are not necessarily standard equipped parts.
2. Parts may change without prior notice.
3. The following is an example of the Parts Catalog format.

REF.	LEV.	PARTS NO.	DESCRIPTION	Q'TY						I	R
				(A)	(B)	(C)	(D)	(E)	(F)		
1	1	729595-51390	FUEL INJECTION PUMP	1	1	1	1	1			1
1-1	1	729595-51391	FUEL INJECTION PUMP	1	1	1	1	1		N	1
		(A=E00185) (B=E00200)									
3	2	26022-060162	SCREW M 6X 16	9	9	9	9	9			
3-1	2	26022-060162	SCREW M 6X 16	4	4	4	4	4		K	
		(A=E00156) (B=E00156) (C=E00156) (D=E00156) (E=E00156)									
4	2	129470-51040	CAMSHAFT	1	1	1	1	1			
5	2	122710-51050	BEARING, ROLLER	2	2	2	2	2			
6	2	129470-51060	RETAINER	1	1	1	1	1			

Remarks
(1) BOOST COMPEMSATOR TYPE. OPTIONAL PART, TO E00155,(4JH-DT, 4JH-DTZ

### ① Ref. No.

The Ref. No. listed may not be in accordance with the illustration Ref. No.

(Ex.) Illustration No.

List Ref No.

1 1 (Before change) → 1-1 (After change)

For interchangeable symbols N, R and K, illustrations for new parts may be abbreviated.

### ② Lev. (Level)

Level indication

The numbers below indicate the level of relativity towards the main part.

1 ---- Main parts (Assembly parts)

2 ---- Sub component included in " 1 ".

3 ---- Sub component included in " 2 ".

Note) Parts that are not for sale are partially illustrated but not listed.

### ③ Interchangeability Mark

When a part change takes place, one of the following interchangeability symbols is indicated beside the part.

Symbol	Interchangeability	Contents note
N	Old $\begin{matrix} \leftarrow \text{Yes} \\ \text{No} \rightarrow \end{matrix}$ New	New Part is interchangeable for Old Part but Old Part is not interchangeable for New Part.
Q	Old $\begin{matrix} \leftarrow \text{No} \\ \text{Yes} \rightarrow \end{matrix}$ New	New Part is not interchangeable for Old Part but Old Part is interchangeable for New Part.
R	Old $\begin{matrix} \leftarrow \text{Yes} \\ \text{Yes} \rightarrow \end{matrix}$ New	New/ Old Parts are both interchangeable.
S	Old $\begin{matrix} \leftarrow \text{No} \\ \text{No} \rightarrow \end{matrix}$ New	New/ Old Parts are both not interchangeable.
W		Part newly added.
Z		Part discontinued.
F		Not interchangeable by a single part but interchangeable together with related parts.
K		Changes only for used parts quantities.

### ④ Effective Machine No.

When a part changes, the effective Machine No. will be indicated in the (A)-(F) column.

Product Symbol	Product No.	Product Symbol	Product No.
C	Clutch No. Compressor No.	F	Machine No. (Agricultural Equip.)
D	Drive No.	M	Machine No.
E	Engine No.		

Note 1) A date may follow the symbol. (Ex.) 1996.01

Note 2) " XXXXX " and " ZZZZZ " are for parts that could not be predicted or for engine models that could not be identified.

Note 3) (A=E00185) is the E (Engine Serial Number) for the column (A) model (in this case 4JH-DT) after the parts design change.

### ⑤ Remarks Mark

Figures or alphabets (symbols) are entered in the remarks column.

The comments (remarks) on parts that are indicated at the bottom of the illustration are the same symbols as those stated above.

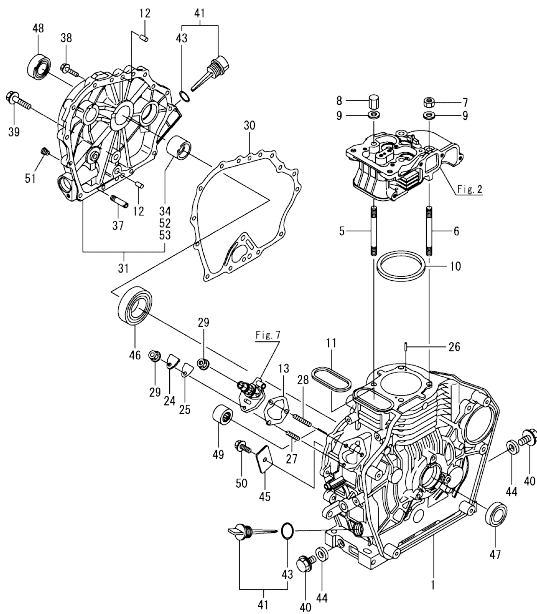
## Contents

0CW10-M66000

Fig. No.	Fig. Name	Fig. No.	Fig. Name
L48N6CJ1F7AABR			
1.	CYLINDER BLOCK		
2.	CYLINDER HEAD & BONNET		
3.	AIR CLEANER & MUFFLER		
4.	CRANKSHAFT, PISTON & CAMSHAFT		
5.	LUB.OIL PUMP & GOVERNOR		
6.	COOLING & STARTING DEVICE		
7.	F.I. PUMP & F.I. VALVE		
8.	FUEL TANK & FUEL PIPE		
9.	STARTING MOTOR & DYNAMO		
10.	TOOL, LABEL & GASKET SET		

OCW10-M66000 L48N6CJ1F7AABR  
 Fig.1. CYLINDER BLOCK

OCW10-M66000 Fig.1



(A)=L48N6CJ1F7AABR  
 (B)=  
 (C)=

(D)=  
 (E)=  
 (F)=

No.	Lev.	Parts No.	Description	Qty						I	R
				(A)	(B)	(C)	(D)	(E)	(F)		
1	1	11429C-01020	BLOCK ASSY, CYLINDER	1							
5	1	114299-01200	BOLT, HEAD A	2							
6	1	114299-01210	BOLT, HEAD B	2							
7	1	114299-01220	NUT, CYLINDER HEAD A	2							
8	1	114299-01230	NUT, CYLINDER HEAD B	2							
9	1	124950-01250	WASHER, HEAD BOLT	4							
10	1	114295-01340	GASKET, HEAD T=0.5	1							
11	1	114299-01380	O-RING	1							
12	1	114299-01600	PIN, PARALLEL 8X12	2							
13	1	114299-01800	SHIM SET, PUMP	1							
24	1	114299-01830	COVER, PUMP	1							
25	1	114250-01841	GASKET, COVER	1							
26	1	22312-040080	PIN, PARALLEL M4X 8	2							
27	1	26226-060182	STUD, M6X 18	1							
28	1	26226-060222	STUD, M6X 22	2							
29	1	26366-060002	NUT, M6	3							
30	1	114299-01410	GASKET, CRANK CASE	1							
31	1	114299-01450	COVER, CRANK CASE D	1							
31-1	1	114111-01450	COVER, CRANK CASE D	1							N
(A=2019.02)											
34	2	114250-02100	METAL, MAIN	1							1
34-1	2	114740-02110	BEARING, MAIN	1							N 1
(A=2019.07)											
37	1	114299-35150	PIPE, OIL INLET	1							
38	1	26106-060252	BOLT, M6X 25 PLATED	14							
39	1	26106-080352	BOLT, M8X 35 PLATED	1							
40	1	114299-01690	PLUG, DRAIN 16	2							
41	1	114299-01760	CAP ASSY, OIL SUPPLY	2							
43	2	114299-01950	O-RING, 18	2							
44	1	22190-160002	WASHER, SEAL 16	2							
45	1	114299-02030	RETAINER, BEARING	1							
46	1	114250-02113	BEARING, HR6306G3C3	1							
47	1	114299-02220	SEAL, OIL	1							
48	1	160210-02220	SEAL, OIL 25X41.2X8	1							
49	1	24162-152112	BEARING, 152112	1							
50	1	26106-080122	BOLT, M8X 12 PLATED	1							
51	1	23876-010000	PLUG, R01	1							
52	1	114250-02200	METAL, MAIN 0.25 US	1							2
52-1	1	114740-02200	BEARING, MAIN 0.25OS	1							N 4
(A=2019.07)											
53	1	114250-02210	METAL, MAIN 0.50 US	1							3
53-1	1	114740-02210	BEARING, MAIN 0.50OS	1							N 5
(A=2019.07)											

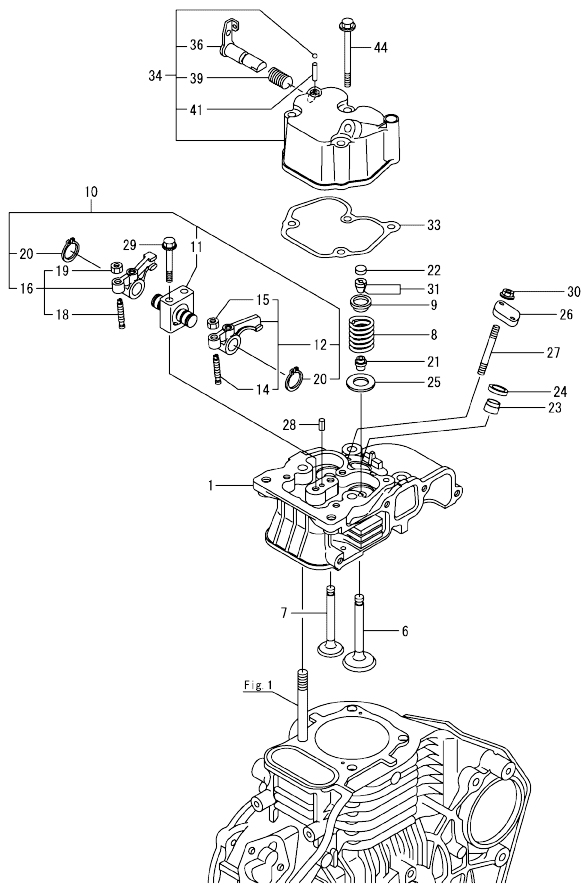
Remarks

- (1)Optional parts.
- (2)Under sized(U.S.=0.25)parts.
- (3)Under sized(U.S.=0.50)parts.
- (4)Over-sized(O.S.=0.25) parts.
- (5)Over-sized(O.S.=0.50) parts.

Fig.2. CYLINDER HEAD & BONNET

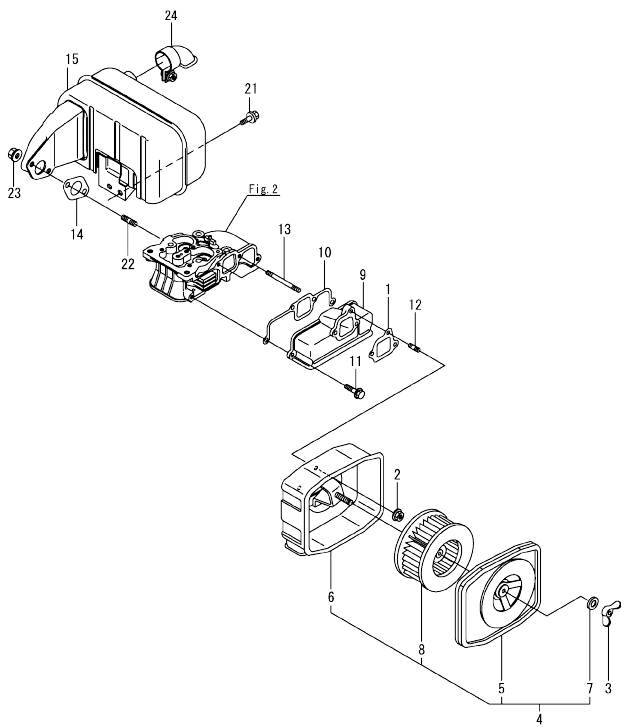
(A)=L48N6CJ1F7AABR  
(B)=  
(C)=

(D)=  
(E)=  
(F)=



No.	Lev.	Parts No.	Description	Q'ty						I	R
				(A)	(B)	(C)	(D)	(E)	(F)		
1	1	114120-11020	HEAD ASSY, CYLINDER	1							
6	1	11429C-11100	VALVE, INTAKE	1							
7	1	11429C-11110	VALVE, EXHAUST	1							
8	1	114299-11120	SPRING, VALVE	2							
9	1	114250-11180	RETAINER, SPRING	2							
10	1	11429C-11250	SUPPORT ASSY, ARM	1							
11	2	11429C-11260	SUPPORT, ROCKER ARM	1							
12	2	11429C-11650	ARM ASSY, ROCKER	1							
14	3	114250-11240	SCREW, VALVE ADJUST	1							
15	3	26856-060002	NUT, M6	1							
16	2	11429C-11660	ARM ASSY, ROCKER	1							
18	3	114250-11240	SCREW, VALVE ADJUST	1							
19	3	26856-060002	NUT, M6	1							
20	2	22242-000120	RING, 12	2							
21	1	114250-11340	SEAL, VALVE STEM	2							
22	1	119260-11370	CAP VALVE	2							
23	1	114240-11450	PROTECTOR, NOZZLE	1							
24	1	114240-11550	SEAT, NOZZLE	1							
25	1	114299-11600	WASHER, VALVE SPRING	2							
26	1	114299-11901	RETAINER, NOZZLE	1							
27	1	114110-11910	STUD, M6X65	2							
28	1	22351-040008	PIN, SPRING 4.0X 8	1							
29	1	26106-060452	BOLT, M6X 45 PLATED	2							
30	1	26366-060002	NUT, M6	2							
31	1	27310-055001	COTTER, 5.5	2							
33	1	114771-11310	GASKET, BONNET	1							
34	1	114295-11951	BONNET ASSY, HEAD	1							
36	2	114250-03591	LEVER ASSY	1							
39	2	114299-03640	SPRING, DECOMPRESSION	1							
41	2	22312-030160	PIN, PARALLEL M3X16	1							
44	1	26106-060552	BOLT, M6X 55 PLATED	3							

Fig.3. AIR CLEANER & MUFFLER

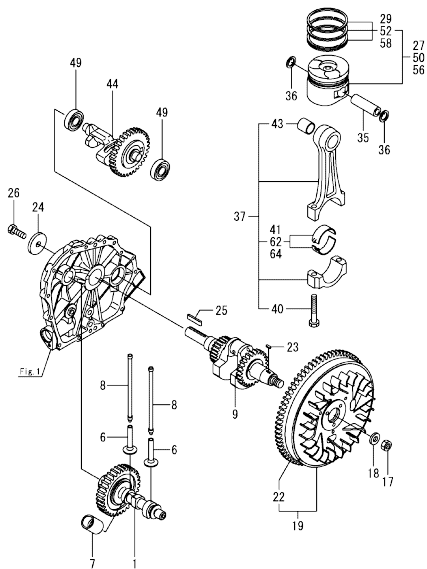


(A)=L48N6CJ1F7AABR  
(B)=  
(C)=

(D)=  
(E)=  
(F)=

No.	Lev.	Parts No.	Description	Q'ty						I	R
				(A)	(B)	(C)	(D)	(E)	(F)		
1	1	114299-12210	GASKET, AIR CLEANER	1							
2	1	114299-12300	NUT	3							
3	1	114250-12550	NUT, WING M6	1							
4	1	114120-12550	CLEANER ASSY, AIR	1							
5	2	114250-12520	COVER, AIR CREAMER	1							
6	2	114250-12530	CASE ASSY, CLEANER	1							
7	2	114250-12560	WASHER, SEAL M6	1							
8	2	114250-12581	ELEMENT	1							
9	1	114771-12010	PIPE, AIR INTAKE	1							
10	1	114771-12200	GASKET	1							
11	1	26106-060252	BOLT, M6X 25 PLATED	2							
12	1	26226-060142	STUD, M6X 14	1							
13	1	26226-060602	STUD, M6X 60	2							
14	1	114299-13200	GASKET, MUFFLER	1							
15	1	114770-13551	MUFFLER ASSY	1							
21	1	26106-060142	BOLT, M6X 14 PLATED	2							
22	1	26216-080182	STUD, M8X 18	2							
23	1	26366-080002	NUT, M8	2							
24	1	114299-13800	EXTENSION ASSY	1							

Fig.4. CRANKSHAFT, PISTON & CAMSHAFT



(A)=L48N6CJ1F7AABR  
(B)=  
(C)=

(D)=  
(E)=  
(F)=

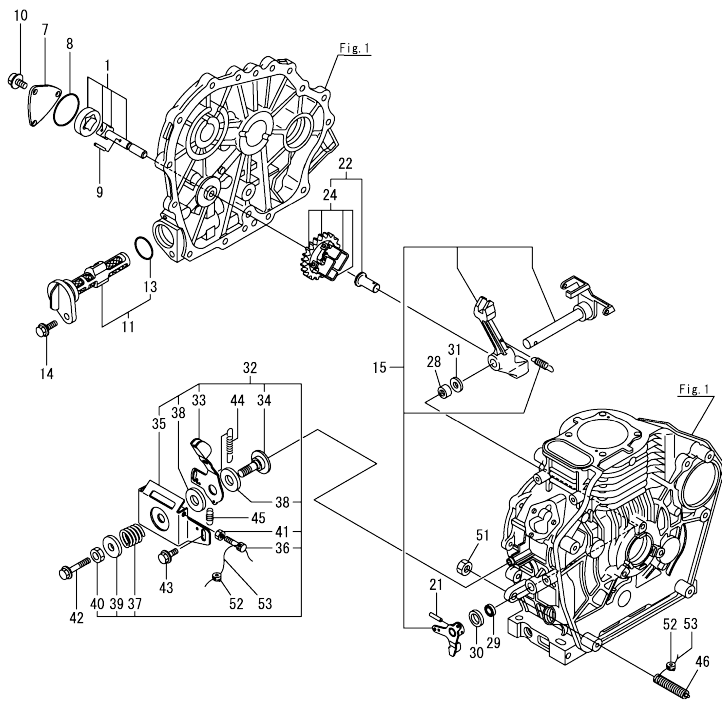
No.	Lev.	Parts No.	Description	Q'ty						I	R
				(A)	(B)	(C)	(D)	(E)	(F)		
1	1	71429C-14010	CAMSHAFT ASSY	1							
6	1	114299-14200	TAPPET	2							
7	1	114771-14260	TAPPET	1							
8	1	114250-14451	ROD ASSY, PUSH	2							
9	1	11429C-21750	CRANKSHAFT ASSY, E-D	1							
17	1	114299-21220	NUT, WHEEL	1							
18	1	114299-21550	WASHER, FLYWHEEL	1							
19	1	114299-21590	FLYWHEEL ASSY, DE	1							
22	2	114299-21600	GEAR, RING	1							
23	1	22512-040120	KEY, 4X 12	1							
24	1	160310-14550	WASHER, PULLEY	1							
25	1	160642-21150	KEY, FEATHER 4.7X30	1							
26	1	160642-21250	BOLT, 5/15-24UNF	1							
27	1	714120-22720	PISTON ASSY, D	1							
29	2	714295-22500	RING SET, PISTON	1							
35	1	114299-22300	PIN, PISTON D=19	1							
36	1	22252-000190	RING, 19	2							
37	1	71429C-23010	ROD ASSY, CONNECTING	1							
37-1	1	11412C-23700	ROD ASSY, CONNECTING	1							N
		(A=2019.02)									
40	2	119265-23200	BOLT, CONNECTING ROD	2							
41	2	714770-23600	METAL ASSY, CRANK PIN	1							
41-1	2	114740-23600	METAL, CRANK PIN	1							N
		(A=2019.10)									
43	2	114770-23100	BEARING, PISTON PIN	1							
43-1	2	114740-23100	BUSH, PISTON PIN	1							N
		(A=2019.02)									
44	1	714770-28531	SHAFT ASSY, BALANCER	1							
49	1	24101-062020	BEARING, BALL 6202C3	2							
50	1	714120-22620	PISTON ASSY, 0.25 OS	1							1
52	2	714295-22540	RING SET, PISTON .25	1							1
56	1	714120-22580	PISTON ASSY, 0.50 OS	1							2
58	2	714295-22550	RING SET, PISTON .50	1							2
62	1	714770-23610	METAL ASSY, PIN .25	1							3
62-1	1	114740-23610	METAL, CRANK PIN 0.25	1							N 1
		(A=2019.10)									
64	1	714770-23620	METAL ASSY, PIN .50	1							4
64-1	1	114740-23620	METAL, CRANK PIN 0.50	1							N 2
		(A=2019.10)									

Remarks

- (1)Over sized(U.S.=0.25)parts.
- (2)Over sized(U.S.=0.50)parts.
- (3)Under sized(U.S.=0.25)parts.
- (4)Under sized(U.S.=0.50)parts.



Fig.5. LUB.OIL PUMP & GOVERNOR



(A)=L48N6CJ1F7AABR  
(B)=  
(C)=

(D)=  
(E)=  
(F)=

No.	Lev.	Parts No.	Description	Q'ty						I	R
				(A)	(B)	(C)	(D)	(E)	(F)		
1	1	114250-32010	PUMP ASSY, OIL	1							
7	1	114299-32070	COVER	1							
8	1	114299-32570	O-RING	1							
9	1	22312-030160	PIN, PARALLEL M3X16	1							
10	1	26106-060122	BOLT, M6X 12 PLATED	3							
11	1	114299-35110	FILTER ASSY, OIL	1							
13	2	24341-000224	O-RING, 1AS22.4	1							
14	1	26106-060162	BOLT, M6X 16 PLATED	1							
15	1	114295-61170	LEVER ASSY, GOVERNOR	1							1
21	1	22322-030200	PIN, TAPER 3X20	1							
22	1	714299-61701	GOVERNOR ASSY	1							
24	2	114299-61210	WEIGHT ASSY, GOVERNOR	1							
28	1	114770-61520	BEARING, NEEDLE	2							
29	1	114299-61600	SEAL, OIL	1							
30	1	114770-61610	WASHER, THRUST	1							
31	1	114299-61190	WASHER	1							
32	1	114210-66550	BRACKET ASSY	1							
33	2	114210-66070	HANDLE, REGULATOR	1							
34	2	183250-66070	SHAFT, HANDLE	1							
35	2	114210-66400	BRACKET, HANDLE	1							
36	2	114250-66440	BOLT, ADJUSTING	1							
37	2	104200-66820	SPRING	1							
38	2	104200-66831	PLATE, FRICTION	2							
39	2	104200-66850	WASHER	1							
40	2	26696-100002	NUT, LOCK M10	1							
41	2	26757-060002	NUT, LOCK M6	1							
42	1	26106-060452	BOLT, M6X 45 PLATED	1							
43	1	26106-060142	BOLT, M6X 14 PLATED	1							
44	1	114770-66010	SPRING, REGULATOR	1							
45	1	114299-66200	SPRING, RETURN	1							
46	1	114211-66600	LIMITER ASSY, FUEL	1							
51	1	26776-100002	NUT, LOCK M10	1							
52	1	114780-61090	TIN	2							
53	1	22451-060000	WIRE, 0.6	2							

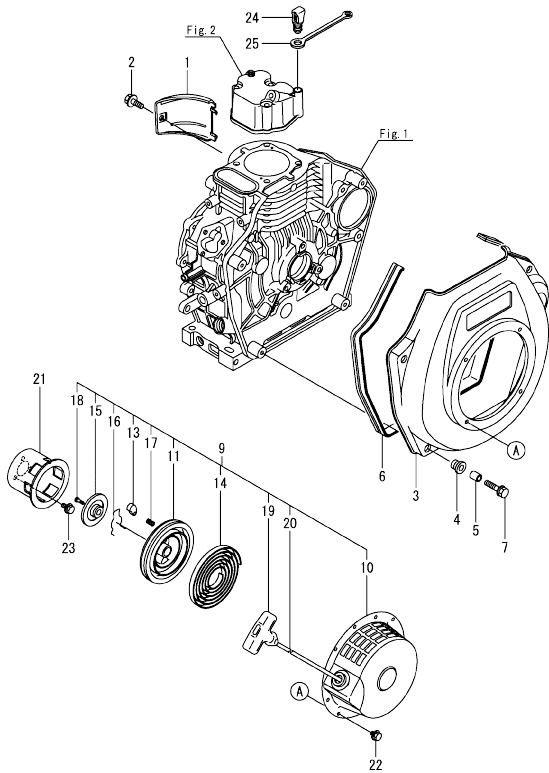
Remarks

(1) On a guarantee of quality component parts shall not be sold.

Fig.6. COOLING & STARTING DEVICE

(A)=L48N6CJ1F7AABR  
(B)=  
(C)=

(D)=  
(E)=  
(F)=

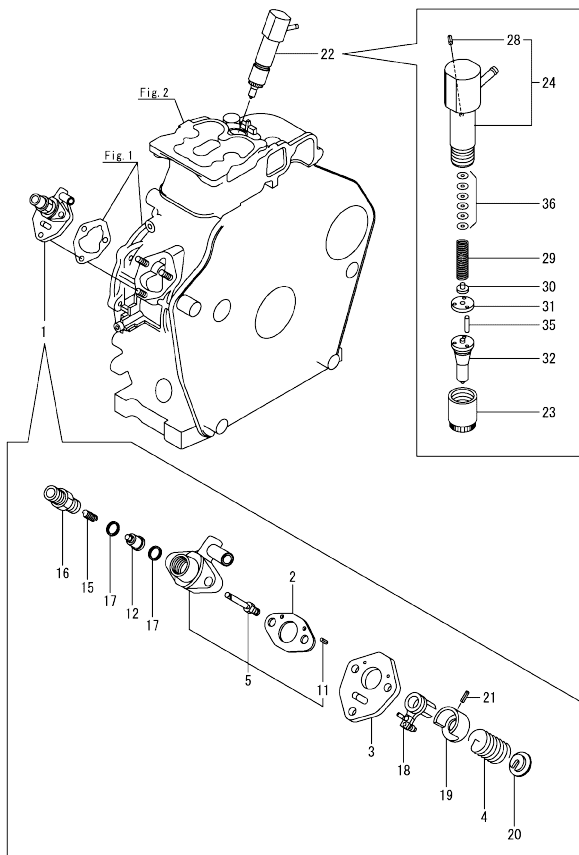


No.	Lev.	Parts No.	Description	Q'ty						I	R
				(A)	(B)	(C)	(D)	(E)	(F)		
1	1	114299-45210	COVER	1							
2	1	26106-060122	BOLT, M6X 12 PLATED	1							
3	1	11429C-45100	CASE, COOLING FAN	1							
4	1	114299-45301	RUBBER, CUSHION	4							
5	1	114299-45310	COLLAR	4							
6	1	114120-45330	SEAL, FAN CASE	1							
7	1	114299-45350	BOLT, FAN CASE	4							
9	1	114299-76250	STARTER ASSY, RECOIL	1							
10	2	114299-76500	CASE, STARTER	1							
11	2	114299-76521	REEL	1							
13	2	114399-76531	RATCHET	1							
14	2	114399-76540	SPRING, SPIRAL	1							
15	2	114399-76550	COVER	1							
16	2	114399-76560	SPRING	1							
17	2	114399-76570	SPRING, RETURN	1							
18	2	114399-76580	SCREW	1							
19	2	114399-76620	KNOB, STARTER	1							
20	2	114299-76630	ROPE, STARTER	1							
21	1	114299-76590	PULLEY, STARTER	1							
22	1	26106-060082	BOLT, M6X 8 PLATED	4							
23	1	26106-060122	BOLT, M6X 12 PLATED	3							
24	1	114299-76600	PLUNGER	1							
25	1	114299-76610	HOLDER, PLUNGER	1							

Fig.7. F.I. PUMP & F.I. VALVE

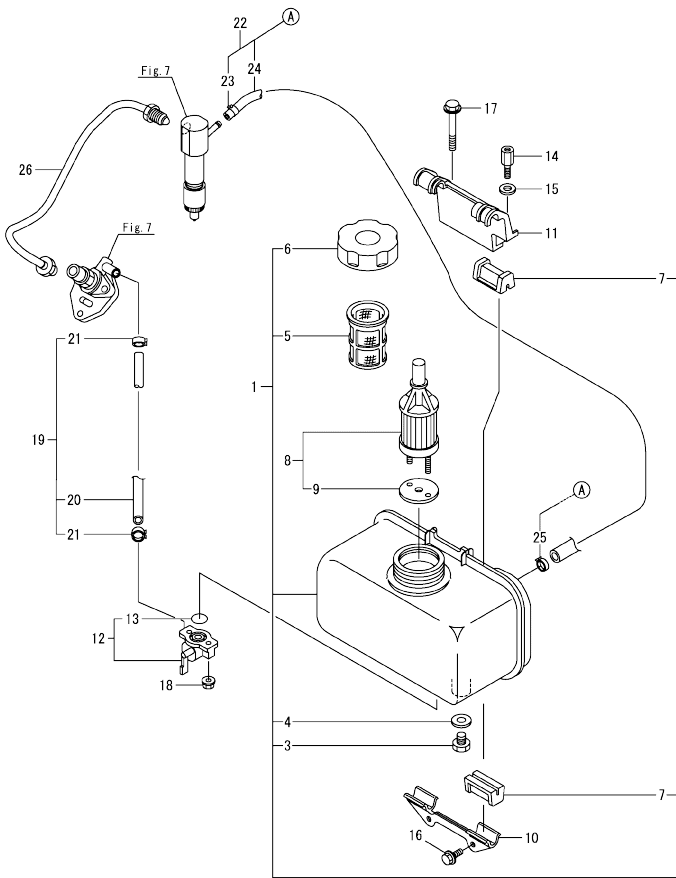
(A)=L48N6CJ1F7AABR  
(B)=  
(C)=

(D)=  
(E)=  
(F)=



No.	Lev.	Parts No.	Description	Q'ty					
				(A)	(B)	(C)	(D)	(E)	(F)
1	1	714139-51200	PUMP ASSY, INJECTION	1					
2	2	105546-51020	GASKET	1					
3	2	114250-51080	PLATE	1					
4	2	114250-51160	SPRING, PLUNGER	1					
5	2	114350-51200	BODY ASSY, PUMP	1					
11	4	22351-020006	PIN, SPRING 2.0X 6	2					
12	2	114250-51300	VALVE ASSY, DELIVERY	1					
15	2	105546-51330	SPRING, DELIVERY	1					
16	2	114250-51340	HOLDER, DELIVERY	1					
17	2	124550-51350	GASKET, DELIVERY	2					
18	2	114250-51600	LEVER ASSY, CONTROL	1					
19	2	114250-51640	SEAT, SPRING A	1					
20	2	114250-51650	SEAT, SPRING B	1					
21	2	22351-030008	PIN, SPRING 3.0X 8	1					
22	1	714139-53200	VALVE ASSY, INJECTION	1					
23	2	114250-53080	NUT, NOZZLE D16.95	1					
24	2	114139-53100	HOLDER ASSY, NOZZLE	1					
28	3	22351-025005	PIN, SPRING 2.5X 6	1					
29	2	114250-53120	SPRING, NOZZLE	1					
30	2	114250-53130	SEAT, SPRING	1					
31	2	114250-53140	PLATE	1					
32	2	114139-53200	NOZZLE ASSY	1					
35	2	114250-53210	PIN	2					
36	2	114250-53400	SHIM SET	1					

Fig.8. FUEL TANK & FUEL PIPE

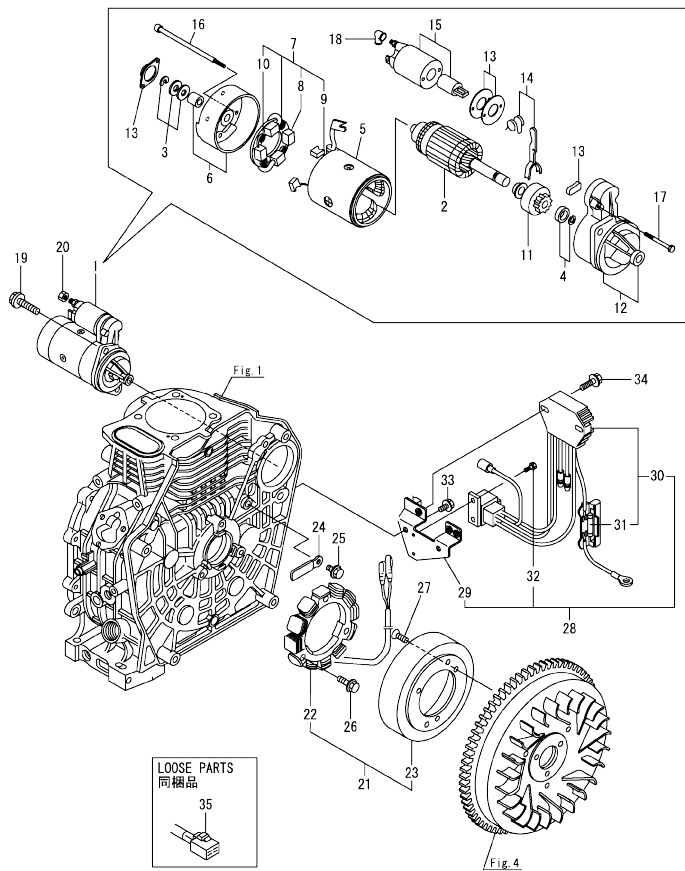


(A)=L48N6CJ1F7AABR  
(B)=  
(C)=

(D)=  
(E)=  
(F)=

No.	Lev.	Parts No.	Description	Q'ty						I	R
				(A)	(B)	(C)	(D)	(E)	(F)		
1	1	11429C-55710	TANK ASSY, FUEL	1							
3	3	114299-55080	PLUG, DRAIN	1							
4	3	23414-080000	GASKET, 8X1.0	1							
5	2	114299-55100	ELEMENT, FUEL FILTER	1							
6	2	114299-55040	CAP ASSY, FUEL TANK	1							
7	2	114250-55201	DAMPER, FUEL TANK	4							
8	1	114250-55121	FILTER ASSY, FUEL	1							
9	2	114250-55130	GASKET	1							
10	1	114299-55210	STAY, FUEL TANK A	1							
11	1	114299-55230	STAY, FUEL TANK B	1							
12	1	114250-55301	COCK ASSY, FUEL	1							
13	2	24341-000150	O-RING, 1AS15.0	1							
14	1	114299-55810	BOLT, LIFTING	1							
15	1	22117-080000	WASHER, 8	1							
16	1	26106-060162	BOLT, M6X 16 PLATED	2							
17	1	26106-080452	BOLT, M8X 45 PLATED	1							
18	1	26366-060002	NUT, M6	2							
19	1	114780-59010	PIPE ASSY, FUEL L50	1							
20	2	114780-59060	PIPE, FUEL L=50	1							
21	2	23080-014000	CLAMP, 14	2							
22	1	114120-59300	PIPE ASSY, RETURN	1							
22-1	1	114120-59301	PIPE ASSY, FO RETURN	1							N
		(A=2019.03)									
23	2	124722-59050	CLAMP, HOSE 9	1							
24	2	114650-59060	PIPE, FUEL RETURN	1							
24-1	2	114650-59061	PIPE, FO RETURN	1							N
		(A=2019.03)									
25	2	124066-59100	CLAMP, HOSE 8	1							
26	1	114120-59800	PIPE ASSY, INJECTION	1							

Fig.9. STARTING MOTOR & DYNAMO



(A)=L48N6CJ1F7AABR  
(B)=  
(C)=

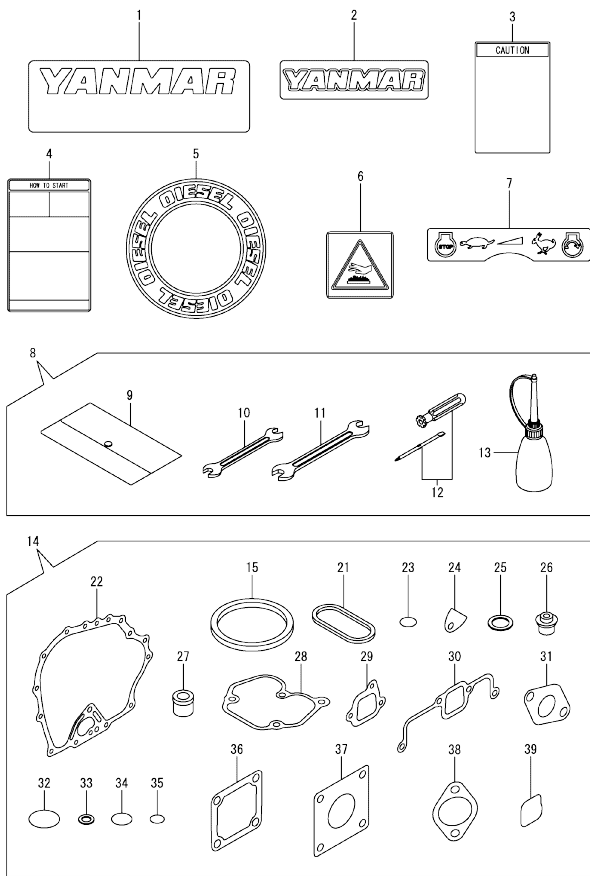
(D)=  
(E)=  
(F)=

No.	Lev.	Parts No.	Description	Qty						I	R
				(A)	(B)	(C)	(D)	(E)	(F)		
1	1	114362-77011	STARTER(HITACHI 12V	1							
2	2	114381-77110	ARMATURE	1							
3	2	X2114811000	WASHER KIT, THRUST	1							
4	2	X2114715500	STOPPER SET, PINION	1							
5	2	114381-77130	COIL ASSY, FIELD	1							
6	2	114381-77140	COVER, REAR	1							
7	2	114371-77160	HOLDER ASSY, BRUSH	1							
8	3	114371-79040	BRUSH (-)	2							
9	3	114371-79050	BRUSH (+)	1							
10	3	114371-79060	SPRING, BRUSH	4							
11	2	X211485016	PINION ASSY	1							
12	2	114381-77151	HOUSING ASSY, GEAR	1							
13	2	114371-77170	COVER KIT, DUST	1							
14	2	114371-77180	LEVER KIT, SHIFT	1							
15	2	124298-77020	SWITCH, MAGNETIC	1							
16	2	124195-77770	THROUGH BOLT	2							
17	2	114371-79070	BOLT M 6X 37	2							
18	2	X2114274200	COVER, TERMINAL	1							
19	1	26106-100302	BOLT, M10X 30 PLATED	2							
20	1	26716-080002	NUT, M8	1							
21	1	114399-78280	DINAMO ASSY, 15A	1							
22	2	114399-78770	STATOR ASSY	1							
23	2	114399-78780	WHEEL, DYNAMO	1							
24	1	160710-78710	CLAMP, CORD	1							
25	1	26106-060122	BOLT, M6X 12 PLATED	1							
26	1	26106-060202	BOLT, M6X 20 PLATED	3							
27	1	26577-060142	SCREW M 6X 14	3							
28	1	114399-77560	REG. & HARNESS ASSY	1							
29	2	114399-77410	BRACKET, HARNESS	1							
30	2	114399-77720	FUSE (20A),CARTRIDGE	1							
31	3	114399-78000	FUSE(20A	1							
32	2	26023-040102	SCREW, M4X10	2							
33	1	26106-060122	BOLT, M6X 12 PLATED	2							
34	1	26106-060202	BOLT, M6X 20 PLATED	2							
35	1	114351-77520	COUPLER	1							

Fig.10. TOOL, LABEL & GASKET SET

(A)=L48N6CJ1F7AABR  
(B)=  
(C)=

(D)=  
(E)=  
(F)=



No.	Lev.	Parts No.	Description	Q'ty						I	R
				(A)	(B)	(C)	(D)	(E)	(F)		
1	1	114299-07100	LABEL, AIR COOLED	1							
2	1	114299-07110	LABEL, YANMAR	1							
3	1	114220-07100	LABEL, CAUTION	1							
4	1	114220-07110	LABEL HOW TO START-E	1							
5	1	114299-07160	LABEL, DIESEL	1							
6	1	114220-07130	LABEL, HOT SURFACE	1							
7	1	114220-07140	LABEL, CONTROL	1							
8	1	114299-92590	BOX, TOOL	1							
9	2	114299-92600	BAG, TOOL	1							
10	2	114299-92710	WRENCH	1							
11	2	114299-92720	WRENCH	1							
12	2	114299-92730	DRIVER	1							
13	2	114299-92740	DIPSTICK	1							
14	1	114120-92600	GASKET SET	1							1
15	2	114295-01330	GASKET, HEAD	1							
21	2	114299-01380	O-RING	1							
22	2	114299-01410	GASKET, CRANK CASE	1							
23	2	114299-01950	O-RING, 18	2							
24	2	114250-01841	GASKET	1							
25	2	22190-160002	WASHER, SEAL 16	2							
26	2	114250-11340	SEAL, VALVE STEM	2							
27	2	114771-11461	GASKET, NOZZLE	1							
28	2	114771-11310	GASKET, BONNET	1							
29	2	114299-12210	GASKET, AIR CLEANER	2							
30	2	114771-12200	GASKET	1							
31	2	114299-13200	GASKET, MUFFLER	1							
32	2	114299-32570	O-RING	1							
33	2	23414-080000	GASKET, 8X1.0	1							
34	2	24341-000224	O-RING, 1AS22.4	1							
35	2	24341-000150	O-RING, 1AS15.0	1							
36	2	129100-77510	GASKET, AIR HEATER	3							
37	2	114299-21980	GASKET	1							
38	2	114299-12920	GASKET, AIR CLEANER	1							
39	2	114288-12210	O-RING	1							

Remarks

(1)Optional parts.

## Parts No. Index

Parts No.	Fig. No.	Ref. No.
104200-66820	5	37
104200-66831	5	38
104200-66850	5	39
105546-51020	7	2
105546-51330	7	15
114110-11910	2	27
114111-01450	1	31 -1
114120-11020	2	1
114120-12550	3	4
114120-45330	6	6
114120-59300	8	22
114120-59301	8	22 -1
114120-59800	8	26
114120-92600	10	14
11412C-23700	4	37 -1
114139-53100	7	24
114139-53200	7	32
114210-66070	5	33
114210-66400	5	35
114210-66550	5	32
114211-66600	5	46
114220-07100	10	3
114220-07110	10	4
114220-07130	10	6
114220-07140	10	7
114240-11450	2	23
114240-11550	2	24
114250-01841	1	25
	10	24
114250-02100	1	34
114250-02113	1	46
114250-02200	1	52
114250-02210	1	53
114250-03591	2	36
114250-11180	2	9
114250-11240	2	14
		18
114250-11340	2	21
	10	26
114250-12520	3	5
114250-12530	3	6
114250-12550	3	3
114250-12560	3	7
114250-12581	3	8
114250-14451	4	8
114250-32010	5	1
114250-51080	7	3
114250-51160	7	4
114250-51300	7	12
114250-51340	7	16

Parts No.	Fig. No.	Ref. No.
114250-51600	7	18
114250-51640	7	19
114250-51650	7	20
114250-53080	7	23
114250-53120	7	29
114250-53130	7	30
114250-53140	7	31
114250-53210	7	35
114250-53400	7	36
114250-55121	8	8
114250-55130	8	9
114250-55201	8	7
114250-55301	8	12
114250-66440	5	36
114288-12210	10	39
114295-01330	10	15
114295-01340	1	10
114295-11951	2	34
114295-61170	5	15
114299-01200	1	5
114299-01210	1	6
114299-01220	1	7
114299-01230	1	8
114299-01380	1	11
	10	21
114299-01410	1	30
	10	22
114299-01450	1	31
114299-01600	1	12
114299-01690	1	40
114299-01760	1	41
114299-01800	1	13
114299-01830	1	24
114299-01950	1	43
	10	23
114299-02030	1	45
114299-02220	1	47
114299-03640	2	39
114299-07100	10	1
114299-07110	10	2
114299-07160	10	5
114299-11120	2	8
114299-11600	2	25
114299-11901	2	26
114299-12210	3	1
	10	29
114299-12300	3	2
114299-12920	10	38
114299-13200	3	14
	10	31

Parts No.	Fig. No.	Ref. No.
114299-13800	3	24
114299-14200	4	6
114299-21220	4	17
114299-21550	4	18
114299-21590	4	19
114299-21600	4	22
114299-21980	10	37
114299-22300	4	35
114299-32070	5	7
114299-32570	5	8
	10	32
114299-35110	5	11
114299-35150	1	37
114299-45210	6	1
114299-45301	6	4
114299-45310	6	5
114299-45350	6	7
114299-55040	8	6
114299-55080	8	3
114299-55100	8	5
114299-55210	8	10
114299-55230	8	11
114299-55810	8	14
114299-61190	5	31
114299-61210	5	24
114299-61600	5	29
114299-66200	5	45
114299-76250	6	9
114299-76500	6	10
114299-76521	6	11
114299-76590	6	21
114299-76600	6	24
114299-76610	6	25
114299-76630	6	20
114299-92590	10	8
114299-92600	10	9
114299-92710	10	10
114299-92720	10	11
114299-92730	10	12
114299-92740	10	13
11429C-01020	1	1
11429C-11100	2	6
11429C-11110	2	7
11429C-11250	2	10
11429C-11260	2	11
11429C-11650	2	12
11429C-11660	2	16
11429C-21750	4	9
11429C-45100	6	3
11429C-55710	8	1

Parts No.	Fig. No.	Ref. No.
114350-51200	7	5
114351-77520	9	35
114362-77011	9	1
114371-77160	9	7
114371-77170	9	13
114371-77180	9	14
114371-79040	9	8
114371-79050	9	9
114371-79060	9	10
114371-79070	9	17
114381-77110	9	2
114381-77130	9	5
114381-77140	9	6
114381-77151	9	12
114399-76531	6	13
114399-76540	6	14
114399-76550	6	15
114399-76560	6	16
114399-76570	6	17
114399-76580	6	18
114399-76620	6	19
114399-77410	9	29
114399-77560	9	28
114399-77720	9	30
114399-78000	9	31
114399-78280	9	21
114399-78770	9	22
114399-78780	9	23
114650-59060	8	24
114650-59061	8	24 -1
114740-02110	1	34 -1
114740-02200	1	52 -1
114740-02210	1	53 -1
114740-23100	4	43 -1
114740-23600	4	41 -1
114740-23610	4	62 -1
114740-23620	4	64 -1
114770-13551	3	15
114770-23100	4	43
114770-61520	5	28
114770-61610	5	30
114770-66010	5	44
114771-11310	2	33
	10	28
114771-11461	10	27
114771-12010	3	9
114771-12200	3	10
	10	30
114771-14260	4	7
114780-59010	8	19

## Parts No. Index

Parts No.	Fig. No.	Ref. No.
114780-59060	8	20
114780-61090	5	52
119260-11370	2	22
119265-23200	4	40
124066-59100	8	25
124195-77770	9	16
124298-77020	9	15
124550-51350	7	17
124722-59050	8	23
124950-01250	1	9
129100-77510	10	36
160210-02220	1	48
160310-14550	4	24
160642-21150	4	25
160642-21250	4	26
160710-78710	9	24
183250-66070	5	34
22117-080000	8	15
22190-160002	1	44
	10	25
22242-000120	2	20
22252-000190	4	36
22312-030160	2	41
	5	9
22312-040080	1	26
22322-030200	5	21
22351-020006	7	11
22351-025005	7	28
22351-030008	7	21
22351-040008	2	28
22451-060000	5	53
22512-040120	4	23
23080-014000	8	21
23414-080000	8	4
	10	33
23876-010000	1	51
24101-062020	4	49
24162-152112	1	49
24341-000150	8	13
	10	35
24341-000224	5	13
	10	34
26023-040102	9	32
26106-060082	6	22
26106-060122	5	10
	6	2
		23
	9	25
		33
26106-060142	3	21

Parts No.	Fig. No.	Ref. No.
26106-060142	5	43
26106-060162	5	14
	8	16
26106-060202	9	26
		34
26106-060252	1	38
	3	11
26106-060452	2	29
	5	42
26106-060552	2	44
26106-080122	1	50
26106-080352	1	39
26106-080452	8	17
26106-100302	9	19
26216-080182	3	22
26226-060142	3	12
26226-060182	1	27
26226-060222	1	28
26226-060602	3	13
26366-060002	1	29
	2	30
	8	18
26366-080002	3	23
26577-060142	9	27
26696-100002	5	40
26716-080002	9	20
26757-060002	5	41
26776-100002	5	51
26856-060002	2	15
		19
27310-055001	2	31
714120-22580	4	56
714120-22620	4	50
714120-22720	4	27
714139-51200	7	1
714139-53200	7	22
714295-22500	4	29
714295-22540	4	52
714295-22550	4	58
714299-61701	5	22
71429C-14010	4	1
71429C-23010	4	37
714770-23600	4	41
714770-23610	4	62
714770-23620	4	64
714770-28531	4	44
X2114274200	9	18
X2114715500	9	4
X2114811000	9	3
X211485016	9	11

Parts No.	Fig. No.	Ref. No.
-----------	----------	----------

Parts No.	Fig. No.	Ref. No.
-----------	----------	----------