

OCR10-M73600EN

Introduction

1. This parts catalog is a first edition of the L48N6FA1T1CAID Diesel engine for Italian Dealers.

	Parts catalog No.	Date of issue	Remarks
First edition	000Y00R7360	Aug. , 2008	

2. This parts catalog does not contain the technical data needed for maintenance service.

3. The illustrations used in this parts catalog have been simplified for clarity.

4. The contents of this parts catalog are subject to change without notice.

5. Be sure to use only Yanmar genuine parts for repairs. If imitation parts are used, it may cause engine defects.

Directions for the Parts Catalog.

1. The parts stipulated in this Parts Catalog are not necessarily standard equipped parts.
2. Parts may change without prior notice.
3. The following is an example of the Parts Catalog format.

OCF10-G21601		29. FUEL INJECTION PUMP(W/BOOST)									
REF.	LEV.	PARTS NO.	DESCRIPTION	(A)	(B)	(C)	(D)	(E)	(F)	I	R
1	1	729595-51390	FUEL INJECTION PUMP	1	1	1	1	1			1
1-1	1	729595-51391	FUEL INJECTION PUMP	1	1	1	1	1		N	1
		(A=E00185)	(B=E00200)								
3	2	26022-060162	SCREW M 6X 16	9	9	9	9	9			
3-1	2	26022-060162	SCREW M 6X 16	4	4	4	4	4		K	
		(A=E00156)	(B=E00156)	(C=E00156)	(D=E00156)	(E=E00156)					
4	2	129470-51040	CAMSHAFT	1	1	1	1	1			
5	2	122710-51050	BEARING, ROLLER	2	2	2	2	2			
6	2	129470-51060	RETAINER	1	1	1	1	1			

Remarks
(1) BOOST COMPEMSATOR TYPE. OPTIONAL PART, TO E00155,(4JH-DT, 4JH-DTZ

① Ref. No.

The Ref. No. listed may not be in accordance with the illustration Ref. No.

(Ex.) Illustration No.

List Ref No.

1 1 (Before change) → 1-1 (After change)

For interchangeable symbols N, R and K, illustrations for new parts may be abbreviated.

② Lev. (Level)

Level indication

The numbers below indicate the level of relativity towards the main part.

1 ---- Main parts (Assembly parts)

2 ---- Sub component included in " 1 ".

3 ---- Sub component included in " 2 ".

Note) Parts that are not for sale are partially illustrated but not listed.

③ Interchangeability Mark

When a part change takes place, one of the following interchangeability symbols is indicated beside the part.

Symbol	Interchangeability	Contents note
N	Old $\begin{matrix} \leftarrow \text{Yes} \\ \text{No} \rightarrow \end{matrix}$ New	New Part is interchangeable for Old Part but Old Part is not interchangeable for New Part.
Q	Old $\begin{matrix} \leftarrow \text{No} \\ \text{Yes} \rightarrow \end{matrix}$ New	New Part is not interchangeable for Old Part but Old Part is interchangeable for New Part.
R	Old $\begin{matrix} \leftarrow \text{Yes} \\ \text{Yes} \rightarrow \end{matrix}$ New	New/ Old Parts are both interchangeable.
S	Old $\begin{matrix} \leftarrow \text{No} \\ \text{No} \rightarrow \end{matrix}$ New	New/ Old Parts are both not interchangeable.
W		Part newly added.
Z		Part discontinued.
F		Not interchangeable by a single part but interchangeable together with related parts.
K		Changes only for used parts quantities.

④ Effective Machine No.

When a part changes, the effective Machine No. will be indicated in the (A)-(F) column.

Product Symbol	Product No.	Product Symbol	Product No.
C	Clutch No. Compressor No.	F	Machine No. (Agricultural Equip.)
D	Drive No.	M	Machine No.
E	Engine No.		

Note 1) A date may follow the symbol. (Ex.) 1996.01

Note 2) " XXXXX " and " ZZZZZ " are for parts that could not be predicted or for engine models that could not be identified.

Note 3) (A=E00185) is the E (Engine Serial Number) for the column (A) model (in this case 4JH-DT) after the parts design change.

⑤ Remarks Mark

Figures or alphabets (symbols) are entered in the remarks column.

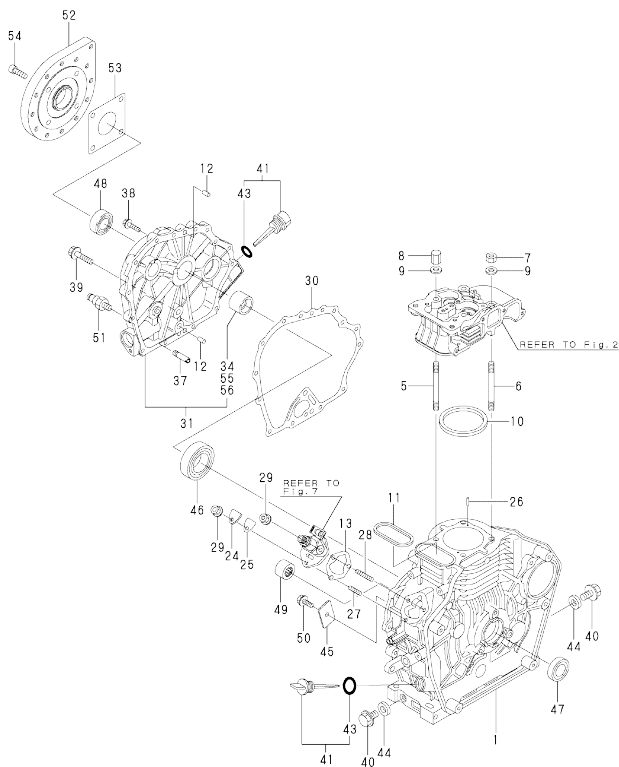
The comments (remarks) on parts that are indicated at the bottom of the illustration are the same symbols as those stated above.

Contents

OCR10-M73600

Fig. No.	Fig. Name	Fig. No.	Fig. Name
L48N6FA1T1CAID			
1.	CYLINDER BLOCK		
2.	CYLINDER HEAD & BONNET		
3.	AIR CLEANER & MUFFLER		
4.	CRANKSHAFT, PISTON & CAMSHAFT		
5.	LUB.OIL PUMP & GOVERNOR		
6.	COOLING & STARTING DEVICE		
7.	FUEL INJECTION PUMP & FUEL INJECTION VALVE		
8.	FUEL TANK & FUEL PIPE		
9.	STARTING MOTOR & DYNAMO		
10.	TOOL, LABEL & GASKET SET		

OCR10-M73600 L48N6FA1T1CAID
 Fig.1. CYLINDER BLOCK



OCR10-M73600 Fig.1

(A)=L48N6FA1T1CAID
 (B)=
 (C)=

(D)=
 (E)=
 (F)=

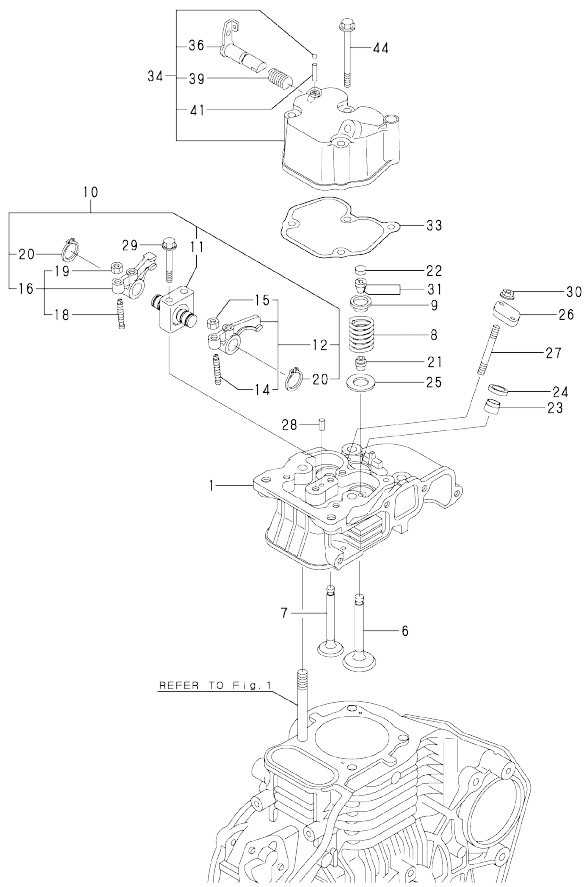
No.	Lev.	Parts No.	Description	Q'ty						I	R
				(A)	(B)	(C)	(D)	(E)	(F)		
1	1	114149-01010	BLOCK ASSY, CYLINDER	1							
5	1	114299-01200	BOLT, HEAD A	2							
6	1	114299-01210	BOLT, HEAD B	2							
7	1	114299-01220	NUT, CYLINDER HEAD A	2							
8	1	114299-01230	NUT, CYLINDER HEAD B	2							
9	1	124950-01250	WASHER, HEAD BOLT	4							
10	1	114295-01340	GASKET, HEAD T=0.5	1							
11	1	114299-01380	O-RING	1							
12	1	114299-01600	PIN, PARALLEL 8X12	2							
13	1	114299-01800	SHIM SET, PUMP	1							
24	1	114299-01830	COVER, PUMP	1							
25	1	114250-01841	GASKET, COVER	1							
26	1	22312-040080	PIN, PARALLEL M4X 8	2							
27	1	26226-060182	STUD, M6X 18	1							
28	1	26226-060222	STUD, M6X 22	2							
29	1	26366-060002	NUT, M6	3							
30	1	114299-01410	GASKET, CRANK CASE	1							
31	1	114299-01450	COVER, CRANK CASE D	1							
31-1	1	114111-01450	COVER, CRANK CASE D	1							N
		(A=2019.02)									
34	2	114250-02100	METAL, MAIN	1							1
34-1	2	114740-02110	BEARING, MAIN	1							N 1
		(A=2019.07)									
37	1	114299-35150	PIPE, OIL INLET	1							
38	1	26106-060252	BOLT, M6X 25 PLATED	14							
39	1	26106-080352	BOLT, M8X 35 PLATED	1							
40	1	114299-01690	PLUG, DRAIN 16	2							
41	1	114299-01760	CAP ASSY, OIL SUPPLY	2							
43	2	114299-01950	O-RING, 18	2							
44	1	22190-160002	WASHER, SEAL 16	2							
45	1	114299-02030	RETAINER, BEARING	1							
46	1	114250-02113	BEARING, HR6306G3C3	1							
47	1	114299-02220	SEAL, OIL	1							
48	1	160210-02220	SEAL, OIL 25X41.2X8	1							
49	1	24162-152112	BEARING, 152112	1							
50	1	26106-080122	BOLT, M8X 12 PLATED	1							
51	1	183250-39450	SWITCH, PRESSURE	1							
52	1	114299-21960	FLANGE	1							
53	1	114299-21980	GASKET, OIL SEAL	1							
54	1	26453-080252	BOLT, M8X 25	4							
55	1	114250-02200	METAL, MAIN 0.25 US	1							2
55-1	1	114740-02200	BEARING, MAIN 0.25OS	1							N 4
		(A=2019.07)									
56	1	114250-02210	METAL, MAIN 0.50 US	1							3
56-1	1	114740-02210	BEARING, MAIN 0.50OS	1							N 5
		(A=2019.07)									

Remarks
 (1)REPAIR PART.
 (2)UNDER SIZED(U.S.=0.25)PART.
 (3)UNDER SIZED(U.S.=0.50)PART.
 (4)Over-sized(O.S.=0.25) parts.
 (5)Over-sized(O.S.=0.50) parts.

Fig.2. CYLINDER HEAD & BONNET

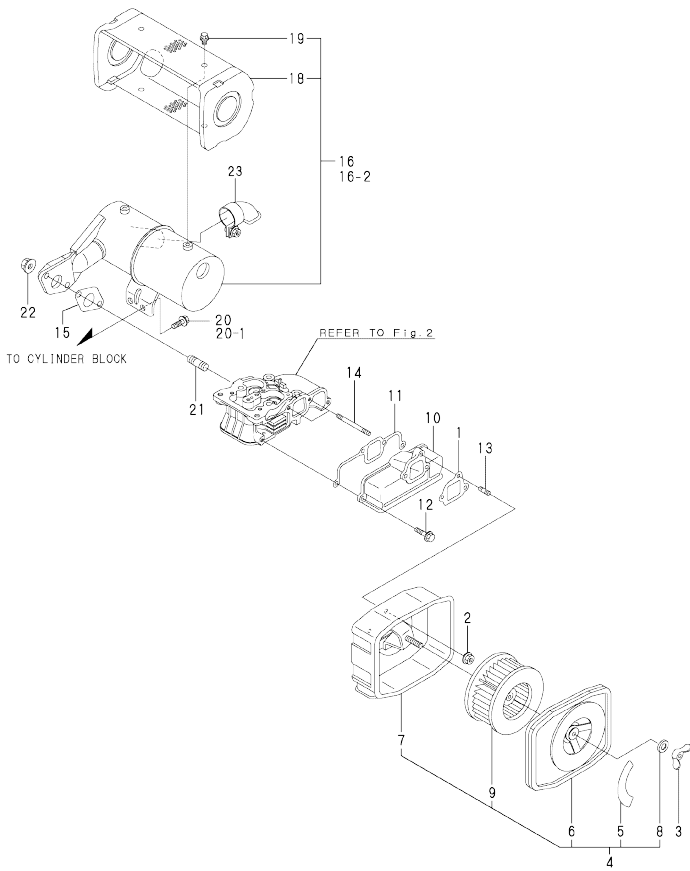
(A)=L48N6FA1T1CAID
(B)=
(C)=

(D)=
(E)=
(F)=



No.	Lev.	Parts No.	Description	Qty						I	R	
				(A)	(B)	(C)	(D)	(E)	(F)			
1	1	114120-11030	HEAD, CYLINDER	1								
6	1	114295-11100	VALVE, SUCTION	1								
7	1	114295-11111	VALVE, EXHAUST	1								
8	1	114299-11120	SPRING, VALVE	2								
9	1	114250-11180	RETAINER, SPRING	2								
10	1	114771-11250	SUPPORT ASSY, ARM	1								
11	2	114771-11260	SUPPORT, ROCKER ARM	1								
12	2	114771-11650	ARM, ROCKER	1								
14	3	114250-11240	SCREW, VALVE ADJUST	1								
15	3	26856-060002	NUT, M6	1								
16	2	114771-11660	ARM, ROCKER	1								
18	3	114250-11240	SCREW, VALVE ADJUST	1								
19	3	26856-060002	NUT, M6	1								
20	2	22242-000120	RING, 12	2								
21	1	114250-11340	SEAL, VALVE STEM	2								
22	1	119260-11370	CAP VALVE	2								
23	1	114240-11450	PROTECTOR, NOZZLE	1								
24	1	114240-11550	SEAT, NOZZLE	1								
25	1	114299-11600	WASHER, VALVE SPRING	2								
26	1	114299-11901	RETAINER, NOZZLE	1								
27	1	114110-11910	STUD, M6X65	2								
28	1	22351-040008	PIN, SPRING 4.0X 8	1								
29	1	26106-060452	BOLT, M6X 45 PLATED	2								
30	1	26366-060002	NUT, M6	2								
31	1	27310-055001	COTTER, 5.5	2								
33	1	114771-11310	GASKET, BONNET	1								
34	1	114295-11951	BONNET ASSY, HEAD	1								
36	2	114250-03591	LEVER ASSY	1								
39	2	114299-03640	SPRING, DECOMPRESSION	1								
41	2	22312-030160	PIN, PARALLEL M3X16	1								
44	1	26106-060552	BOLT, M6X 55 PLATED	3								

Fig.3. AIR CLEANER & MUFFLER

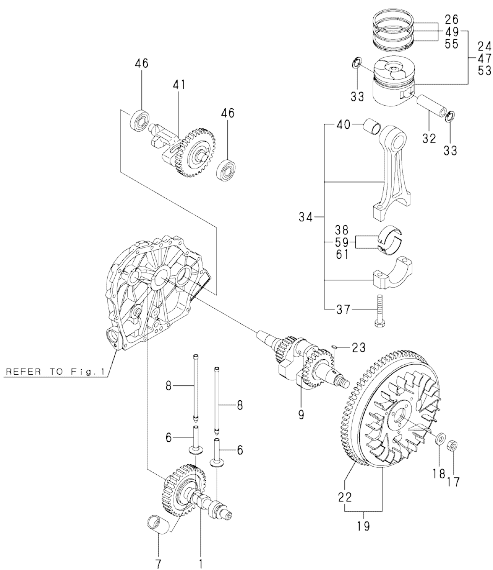


No.	Lev.	Parts No.	Description	Q'ty						I	R
				(A)	(B)	(C)	(D)	(E)	(F)		
1	1	114299-12210	GASKET, AIR CLEANER	1							
2	1	114299-12300	NUT	3							
3	1	114250-12550	NUT, WING M6	1							
4	1	114250-12570	CLEANER, AIR	1							
5	2	114770-07450	LABEL, AIR CLEANER	1							
6	2	114250-12520	COVER, AIR CLEANER	1							
7	2	114250-12530	CASE ASSY, CLEANER	1							
8	2	114250-12560	WASHER, SEAL M6	1							
9	2	114250-12581	ELEMENT, AIR CLEANER	1							
10	1	114771-12010	PIPE, AIR INTAKE A	1							
11	1	114771-12200	GASKET, INTAKE PIPE	1							
12	1	26106-060252	BOLT, M6X 25 PLATED	2							
13	1	26226-060142	STUD, M6X 14	1							
14	1	26226-060552	STUD, M6X 55	2							
15	1	114299-13200	GASKET, MUFFLER	1							
16	1	114299-13520	MUFFLER	1							
16-1	1	11429C-13500	MUFFLER ASSY, E-D	1							R
(A=ES25389)											
16-2	1	11429C-13510	MUFFLER ASSY, E-D	1							S
(A=ES55861)											
18	2	114299-13700	COVER	1							
18-1	2	11429C-13700	COVER	1							R
(A=ES25389)											
19	2	26106-060082	BOLT, M6X 8 PLATED	4							
19-1	2	11431C-13720	BOLT, M6	4							R
(A=ES25389)											
20	1	26106-060142	BOLT, M6X 14 PLATED	2							
20-1	1	26106-080162	BOLT, M8X 16 PLATED	2							S
(A=ES55861)											
21	1	26216-080182	STUD, M8X 18	2							
22	1	26366-080002	NUT, M8	2							
23	1	114299-13800	EXTENSION ASSY	1							

Fig.4. CRANKSHAFT, PISTON & CAMSHAFT

(A)=L48N6FA1T1CAID
(B)=
(C)=

(D)=
(E)=
(F)=

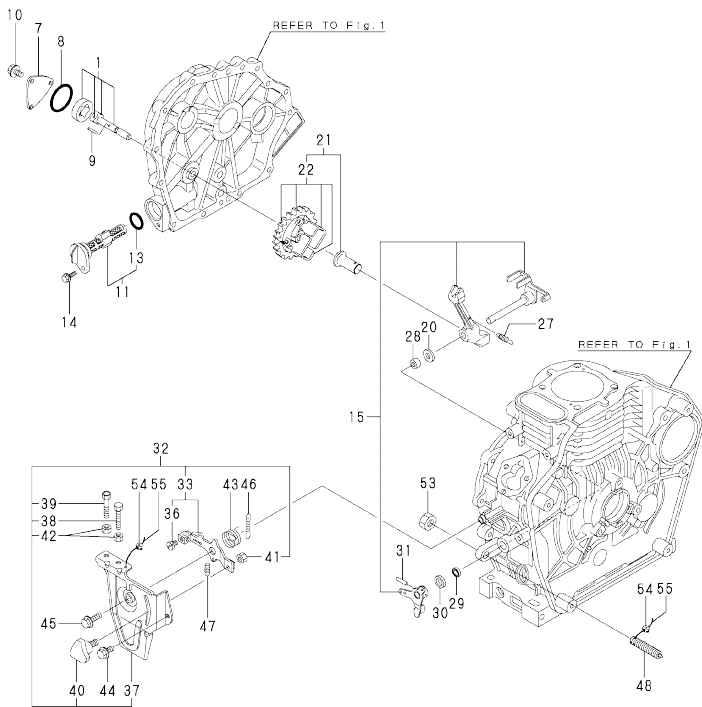


No.	Lev.	Parts No.	Description	Q'ty						
				(A)	(B)	(C)	(D)	(E)	(F)	
1	1	714295-14580	CAMSHAFT (D) ASSY	1						
6	1	114299-14200	TAPPET	2						
7	1	114771-14260	TAPPET	1						
8	1	114250-14451	ROD ASSY, PUSH	2						
9	1	714778-21700	CRANKSHAFT ASY.	1						
17	1	114299-21220	NUT	1						
18	1	114299-21550	WASHER	1						
19	1	114299-21590	FLYWHEEL ASSY	1						
22	2	114299-21600	GEAR, RING D	1						
23	1	22512-040120	KEY, 4X 12	1						
24	1	714120-22720	PISTON W/RINGS (D)	1						
26	2	714295-22500	RING SET, PISTON	1						
32	1	114299-22300	PIN, PISTON D=19	1						
33	1	22252-000190	RING, 19	2						
34	1	714299-23700	ROD ASSY, CONNECTING	1						
37	2	119265-23200	BOLT, CONNECTING ROD	2						
38	2	714770-23600	BEARING, CRANK PIN	1						
40	2	114770-23100	BEARING, PISTON PIN	1						
41	1	714770-28531	SHAFT ASSY, BALANCER	1						
46	1	24101-062020	BEARING, BALL 6202C3	2						
47	1	714120-22620	PISTON W/RING OS= .25	1						1
49	2	714295-22540	RING SET O.S.=0.25	1						1
53	1	714120-22580	PISTON W/RING OS=0.5	1						2
55	2	714295-22550	RING SET O.S.=0.50	1						2
59	1	714770-23610	BEARING ASSY, 0.25	1						3
61	1	714770-23620	BEARING, 0.50 US	1						4

Remarks

- (1)OVER SIZED(O.S.=0.25)PART.
- (2)OVER SIZED(O.S.=0.50)PART.
- (3)UNDER SIZED(U.S.=0.25)PART.
- (4)UNDER SIZED(U.S.=0.50)PART.

Fig.5. LUB.OIL PUMP & GOVERNOR



(A)=L48N6FA1T1CAID
(B)=
(C)=

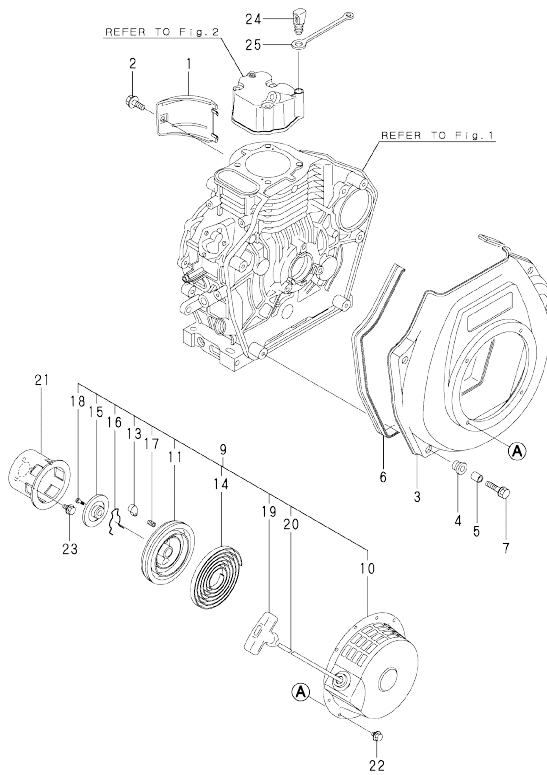
(D)=
(E)=
(F)=

No.	Lev.	Parts No.	Description	Q'ty						I	R
				(A)	(B)	(C)	(D)	(E)	(F)		
1	1	114250-32010	PUMP ASSY, OIL	1							
7	1	114299-32070	COVER	1							
8	1	114299-32570	O-RING	1							
9	1	22312-030160	PIN, PARALLEL M3X16	1							
10	1	26106-060122	BOLT, M6X 12 PLATED	3							
11	1	114299-35110	FILTER ASSY, OIL	1							
13	2	24341-000224	O-RING, 1AS22.4	1							
14	1	26106-060162	BOLT, M6X 16 PLATED	1							
15	1	114295-61170	LEVER ASSY, GOVERNOR	1							
20	1	114299-61190	WASHER	1							
21	1	714299-61701	GOVERNOR ASSY	1							
22	2	114299-61210	WEIGHT ASSY,GOVERNOR	1							
27	1	114771-61350	SPRING, START	1							
28	1	114770-61520	BEARING, NEEDLE	2							
29	1	114299-61600	SEAL, OIL	1							
30	1	114770-61610	WASHER, THRUST	1							
31	1	22322-030200	PIN, TAPER 3X20	1							
32	1	714210-66100	SPEED CTRL, THAI	1							
33	2	114210-66060	HANDLE ASY,REGULATOR	1							
36	3	26117-050089	BOLT, M5X 8 PLATED	1							
37	2	114210-66100	BRACKET, REGULATOR	1							
38	2	114299-66440	BOLT, ADJUSTING	1							
39	2	114299-67080	BOLT, ADJUSTING	1							
40	2	160725-78350	KNOB	1							
41	2	26347-060002	NUT, M6	1							
42	2	26757-060002	NUT, LOCK M6	2							
43	1	114299-66250	SPRING, RETURN	1							
44	1	26106-060142	BOLT, M6X 14 PLATED	1							
45	1	26106-060202	BOLT, M6X 20 PLATED	1							
46	1	114770-66010	SPRING, REGULATOR	1							
47	1	114299-66200	SPRING, RETURN	1							
48	1	114211-66600	LIMITER ASSY, FUEL	1							
53	1	26776-100002	NUT, LOCK M10	1							
54	1	114780-61090	TIN	2							
55	1	22451-060000	WIRE, 0.6	2							

Fig.6. COOLING & STARTING DEVICE

(A)=L48N6FA1T1CAID
(B)=
(C)=

(D)=
(E)=
(F)=

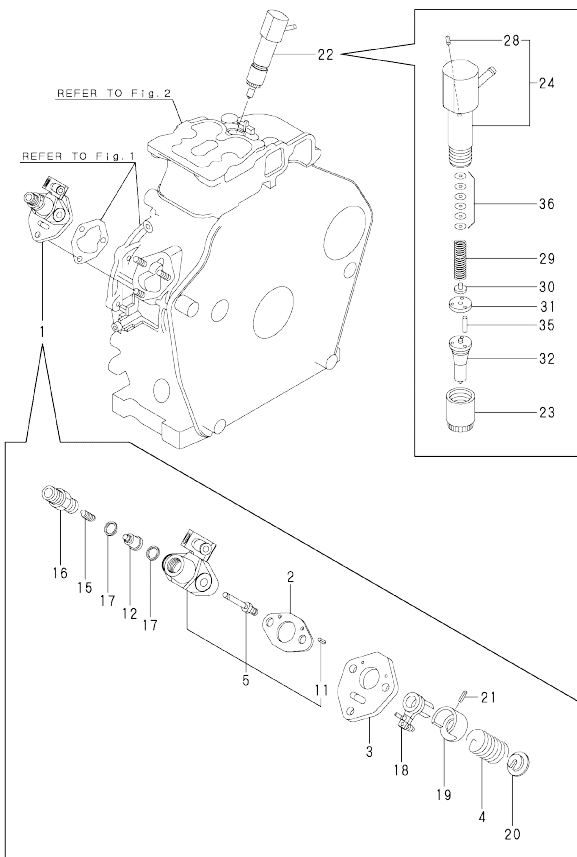


No.	Lev.	Parts No.	Description	Q'ty						I	R
				(A)	(B)	(C)	(D)	(E)	(F)		
1	1	114299-45210	COVER	1							
2	1	26106-060122	BOLT, M6X 12 PLATED	1							
3	1	114295-45100	FAN CASE(SILVER)(17)	1							
4	1	114299-45301	RUBBER, CUSHION	4							
5	1	114299-45310	COLLAR	4							
6	1	114299-45330	SEAL, FAN CASE	1							
7	1	114299-45350	BOLT, FAN CASE	4							
9	1	114299-76250	STARTER ASSY, RECOIL	1							
10	2	114299-76500	CASE, STARTER	1							
11	2	114299-76521	REEL	1							
13	2	114399-76531	RATCHET	1							
14	2	114399-76540	SPRING, SPIRAL	1							
15	2	114399-76550	COVER	1							
16	2	114399-76560	SPRING	1							
17	2	114399-76570	SPRING, RETURN	1							
18	2	114399-76580	SCREW	1							
19	2	114399-76620	KNOB, STARTER	1							
20	2	114299-76630	ROPE, STARTER	1							
21	1	114299-76590	PULLEY, STARTER	1							
22	1	26106-060082	BOLT, M6X 8 PLATED	4							
23	1	26106-060122	BOLT, M6X 12 PLATED	3							
24	1	114299-76600	PLUNGER	1							
25	1	114299-76610	HOLDER, PLUNGER	1							

Fig.7. FUEL INJECTION PUMP & FUEL INJECTION VALVE

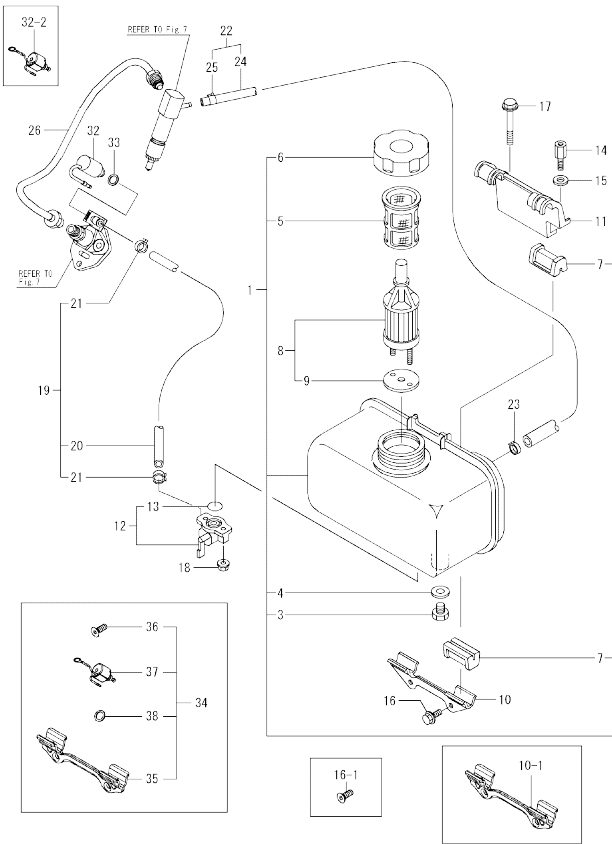
(A)=L48N6FA1T1CAID
(B)=
(C)=

(D)=
(E)=
(F)=



No.	Lev.	Parts No.	Description	Qty						I	R
				(A)	(B)	(C)	(D)	(E)	(F)		
1	1	714139-51300	F.I.PUMP ASSY	1							
2	2	105546-51020	GASKET	1							
3	2	114250-51080	PLATE	1							
4	2	114250-51160	SPRING, PLUNGER	1							
5	2	114139-51200	BODY ASSY, PUMP	1							
11	4	22351-020006	PIN, SPRING 2.0X 6	2							
12	2	114250-51300	VALVE ASSY, DELIVERY	1							
15	2	105546-51330	SPRING, DELIVERY	1							
16	2	114250-51340	HOLDER, DELIVERY	1							
17	2	124550-51350	GASKET, DELIVERY	2							
18	2	114250-51600	LEVER ASSY, CONTROL	1							
19	2	114250-51640	SEAT, SPRING A	1							
20	2	114250-51650	SEAT, SPRING B	1							
21	2	22351-030008	PIN, SPRING 3.0X 8	1							
22	1	714139-53200	VALVE ASSY, INJECTION	1							
23	2	114250-53080	NUT, NOZZLE D16.95	1							
24	2	114139-53100	HOLDER ASSY, NOZZLE	1							
28	3	22351-025005	PIN, SPRING 2.5X 6	1							
29	2	114250-53120	SPRING, NOZZLE	1							
30	2	114250-53130	SEAT, SPRING	1							
31	2	114250-53140	PLATE	1							
32	2	114139-53200	NOZZLE ASSY	1							
35	2	114250-53210	PIN	2							
36	2	114250-53400	SHIM SET	1							

Fig.8. FUEL TANK & FUEL PIPE



(A)=L48N6FA1T1CAID
(B)=
(C)=

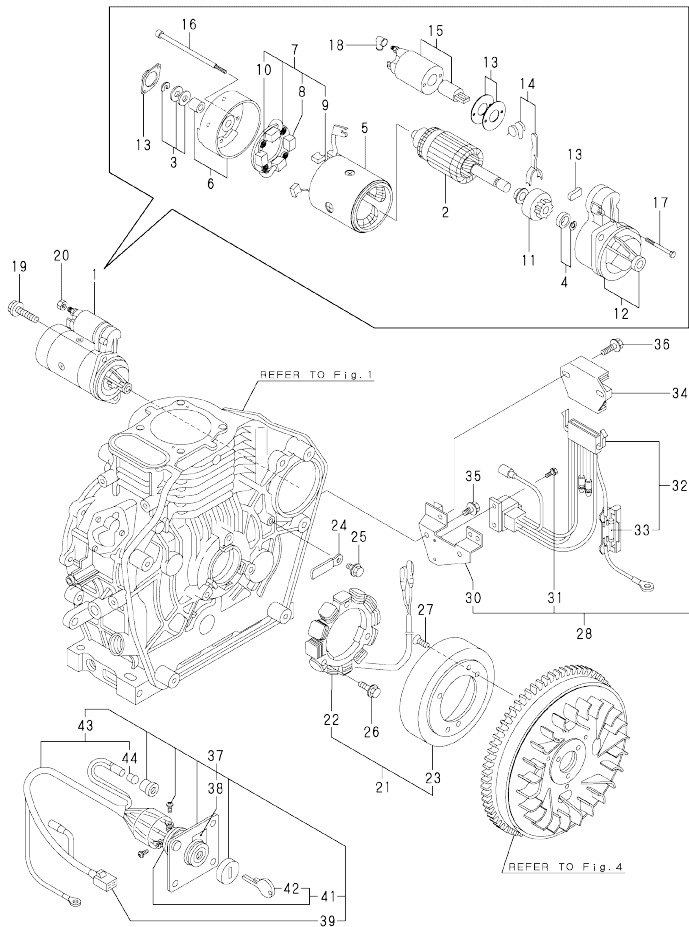
(D)=
(E)=
(F)=

No.	Lev.	Parts No.	Description	Q'ty						I	R
				(A)	(B)	(C)	(D)	(E)	(F)		
1	1	714110-55720	TANK ASSY, FUEL	1							
3	3	114299-55080	PLUG, DRAIN	1							
4	3	23414-080000	GASKET, 8X1.0	1							
5	2	114299-55100	ELEMENT, FUEL FILTER	1							
6	2	114299-55040	CAP ASSY, FUEL TANK	1							
7	2	114250-55201	DAMPER, FUEL TANK	4							
8	1	114250-55121	FILTER ASSY, FUEL	1							
9	2	114250-55130	GASKET	1							
10	1	114299-55210	STAY, FUEL TANK A	1							
10-1	1	114299-55220	STAY, FUEL TANK A	1						F	1
(A=ES27379)											
11	1	114299-55230	STAY, FUEL TANK B	1							
12	1	114250-55301	COCK ASSY, FUEL	1							
13	2	24341-000150	O-RING, 1AS15.0	1							
14	1	114299-55810	BOLT, LIFTING	1							
15	1	22117-080000	WASHER, 8	1							
16	1	26106-060162	BOLT, M6X 16 PLATED	2							
16-1	1	114210-55300	BOLT	2						F	1
(A=ES27379)											
17	1	26106-080452	BOLT, M8X 45 PLATED	1							
18	1	26366-060002	NUT, M6	2							
19	1	114780-59010	PIPE ASSY, FUEL L50	1							
20	2	114780-59060	PIPE, FUEL L=50	1							
21	2	23080-014000	CLAMP, 14	2							
22	1	114120-59300	PIPE ASSY, RETURN	1							
22-1	1	114120-59301	PIPE ASSY, FO RETURN	1							N
(A=2019.03)											
23	2	124722-59050	CLAMP, HOSE 9	1							
24	2	114650-59060	PIPE, FUEL RETURN	1							
24-1	2	114650-59061	PIPE, FO RETURN	1							N
(A=2019.03)											
25	2	124066-59100	CLAMP, HOSE 8	1							
26	1	114120-59800	PIPE ASSY, INJECTION	1							
32	1	114110-76900	SOLENOID ASSY	1							
32-1	1	114110-76901	SOLENOID, MAGNETIC	1							N
(A=ES25389)											
32-2	1	114110-76910	VALVE ASSY, FUEL CUT	1							F 1
(A=ES27379)											
33	1	114299-83020	GASKET, 10X1.2	1							
34	1	114110-95900	SPARE KIT, FUEL VALVE	1							W 2
(A=ES27379)											
35	2	114299-55220	STAY, FUEL TANK A	1							W
(A=ES27379)											
36	2	114210-55300	BOLT	2							W
(A=ES27379)											
37	2	114110-76910	VALVE ASSY, FUEL CUT	1							W
(A=ES27379)											
38	2	114299-83020	GASKET, 10X1.2	1							W
(A=ES27379)											

Remarks

- (1)Interchangeable by simultaneous replacement with No.10-1,16-1 & 32-2.
- (2)These parts are sold as a set with Ref.No.34.

Fig.9. STARTING MOTOR & DYNAMO

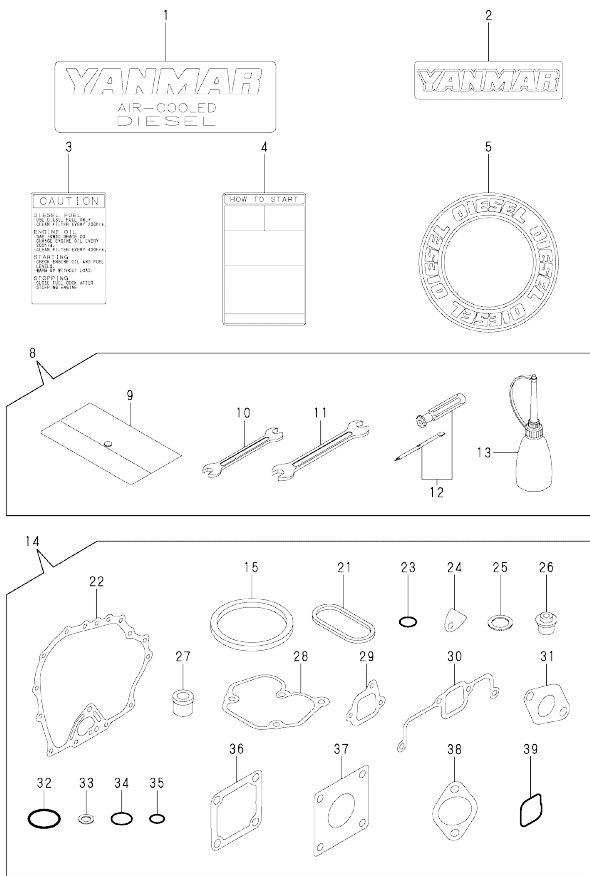


No.	Lev.	Parts No.	Description	Q'ty						I	R
				(A)	(B)	(C)	(D)	(E)	(F)		
1	1	114362-77011	STARTER(HITACHI 12V	1							
2	2	114381-77110	ARMATURE	1							
3	2	X2114811000	WASHER KIT, THRUST	1							
4	2	X2114715500	STOPPER SET, PINION	1							
5	2	114381-77130	COIL ASSY, FIELD	1							
6	2	114381-77140	COVER, REAR	1							
7	2	114371-77160	HOLDER ASSY, BRUSH	1							
8	3	114371-79040	BRUSH (-)	2							
9	3	114371-79050	BRUSH (+)	1							
10	3	114371-79060	SPRING, BRUSH	4							
11	2	X211485016	PINION ASSY	1							
12	2	114381-77151	HOUSING ASSY, GEAR	1							
13	2	114371-77170	COVER KIT, DUST	1							
14	2	114371-77180	LEVER KIT, SHIFT	1							
15	2	124298-77020	SWITCH, MAGNETIC	1							
16	2	124195-77770	THROUGH BOLT	2							
17	2	114371-79070	BOLT M 6X 37	2							
18	2	X2114274200	COVER, TERMINAL	1							
19	1	26106-100302	BOLT, M10X 30 PLATED	2							
20	1	26716-080002	NUT, M8	1							
21	1	114399-78260	DYNAMO ASSY	1							
22	2	114399-78730	STATOR ASSY	1							
23	2	114399-78740	WHEEL, DYNAMO	1							
24	1	160710-78710	CLAMP, CORD	1							
25	1	26106-060122	BOLT, M6X 12 PLATED	1							
26	1	26106-060202	BOLT, M6X 20 PLATED	3							
27	1	26577-060142	SCREW M 6X 14	3							
28	1	114399-77550	REG. & HARNESS ASSY	1							
30	3	114399-77400	BRACKET, HARNESS	1							
31	3	26023-040102	SCREW, M4X10	2							
32	3	114399-77540	HARNESS, WIRE	1							
33	4	114399-78000	FUSE(20A	2							
34	2	114399-77710	REGULATOR	1							
35	1	26106-060122	BOLT, M6X 12 PLATED	2							
36	1	26106-060202	BOLT, M6X 20 PLATED	2							
37	1	114351-77500	PANEL ASSY	1							
38	2	105198-07120	LABEL, STARTER	1							
39	2	114351-77520	COUPLER	1							
41	2	106100-77620	SWITCH, KEY	1							
42	3	106100-77630	KEY, SWITCH	1							
43	2	114351-77700	HARNESS, WIRE	1							
44	3	29220-083200	BULB (12V/3.4W)	1							

Fig.10. TOOL, LABEL & GASKET SET

(A)=L48N6FA1T1CAID
(B)=
(C)=

(D)=
(E)=
(F)=



No.	Lev.	Parts No.	Description	Q'ty						I	R
				(A)	(B)	(C)	(D)	(E)	(F)		
1	1	114299-07100	LABEL, AIR COOLED	1							
2	1	114299-07110	LABEL, YANMAR	1							
3	1	114210-07120	LABEL, CAUTION	1							
4	1	114210-07130	LABEL HOW TO START-E	1							
5	1	114299-07160	LABEL, DIESEL	1							
8	1	114299-92590	BOX, TOOL	1							
9	2	114299-92600	BAG, TOOL	1							
10	2	114299-92710	WRENCH	1							
11	2	114299-92720	WRENCH	1							
12	2	114299-92730	DRIVER	1							
13	2	114299-92740	DIPSTICK	1							
14	1	114120-92600	GASKET SET	1							1
15	2	114295-01330	GASKET, HEAD	1							
21	2	114299-01380	O-RING	1							
22	2	114299-01410	GASKET, CRANK CASE	1							
23	2	114299-01950	O-RING, 18	2							
24	2	114250-01841	GASKET	1							
25	2	22190-160002	WASHER, SEAL 16	2							
26	2	114250-11340	SEAL, VALVE STEM	2							
27	2	114771-11461	GASKET, NOZZLE	1							
28	2	114771-11310	GASKET, BONNET	1							
29	2	114299-12210	GASKET, AIR CLEANER	2							
30	2	114771-12200	GASKET	1							
31	2	114299-13200	GASKET, MUFFLER	1							
32	2	114299-32570	O-RING	1							
33	2	23414-080000	GASKET, 8X1.0	1							
34	2	24341-000224	O-RING, 1AS22.4	1							
35	2	24341-000150	O-RING, 1AS15.0	1							
36	2	129100-77510	GASKET, AIR HEATER	3							
37	2	114299-21980	GASKET	1							
38	2	114299-12920	GASKET, AIR CLEANER	1							
39	2	114288-12210	O-RING	1							

Remarks
(1)OPTIONAL

Parts No. Index

Parts No.	Fig. No.	Ref. No.
105198-07120	9	38
105546-51020	7	2
105546-51330	7	15
106100-77620	9	41
106100-77630	9	42
114110-11910	2	27
114110-76900	8	32
114110-76901	8	32 -1
114110-76910	8	32 -2
		37
114110-95900	8	34
114111-01450	1	31 -1
114120-11030	2	1
114120-59300	8	22
114120-59301	8	22 -1
114120-59800	8	26
114120-92600	10	14
114139-51200	7	5
114139-53100	7	24
114139-53200	7	32
114149-01010	1	1
114210-07120	10	3
114210-07130	10	4
114210-55300	8	16 -1
		36
114210-66060	5	33
114210-66100	5	37
114211-66600	5	48
114240-11450	2	23
114240-11550	2	24
114250-01841	1	25
	10	24
114250-02100	1	34
114250-02113	1	46
114250-02200	1	55
114250-02210	1	56
114250-03591	2	36
114250-11180	2	9
114250-11240	2	14
		18
114250-11340	2	21
	10	26
114250-12520	3	6
114250-12530	3	7
114250-12550	3	3
114250-12560	3	8
114250-12570	3	4
114250-12581	3	9
114250-14451	4	8
114250-32010	5	1

Parts No.	Fig. No.	Ref. No.
114250-51080	7	3
114250-51160	7	4
114250-51300	7	12
114250-51340	7	16
114250-51600	7	18
114250-51640	7	19
114250-51650	7	20
114250-53080	7	23
114250-53120	7	29
114250-53130	7	30
114250-53140	7	31
114250-53210	7	35
114250-53400	7	36
114250-55121	8	8
114250-55130	8	9
114250-55201	8	7
114250-55301	8	12
114288-12210	10	39
114295-01330	10	15
114295-01340	1	10
114295-11100	2	6
114295-11110	2	7
114295-11951	2	34
114295-45100	6	3
114295-61170	5	15
114299-01200	1	5
114299-01210	1	6
114299-01220	1	7
114299-01230	1	8
114299-01380	1	11
	10	21
114299-01410	1	30
	10	22
114299-01450	1	31
114299-01600	1	12
114299-01690	1	40
114299-01760	1	41
114299-01800	1	13
114299-01830	1	24
114299-01950	1	43
	10	23
114299-02030	1	45
114299-02220	1	47
114299-03640	2	39
114299-07100	10	1
114299-07110	10	2
114299-07160	10	5
114299-11120	2	8
114299-11600	2	25
114299-11901	2	26

Parts No.	Fig. No.	Ref. No.
114299-12210	3	1
	10	29
114299-12300	3	2
114299-12920	10	38
114299-13200	3	15
	10	31
114299-13520	3	16
114299-13700	3	18
114299-13800	3	23
114299-14200	4	6
114299-21220	4	17
114299-21550	4	18
114299-21590	4	19
114299-21600	4	22
114299-21960	1	52
114299-21980	1	53
	10	37
114299-22300	4	32
114299-32070	5	7
114299-32570	5	8
	10	32
114299-35110	5	11
114299-35150	1	37
114299-45210	6	1
114299-45301	6	4
114299-45310	6	5
114299-45330	6	6
114299-45350	6	7
114299-55040	8	6
114299-55080	8	3
114299-55100	8	5
114299-55210	8	10
114299-55220	8	10 -1
		35
114299-55230	8	11
114299-55810	8	14
114299-61190	5	20
114299-61210	5	22
114299-61600	5	29
114299-66200	5	47
114299-66250	5	43
114299-66440	5	38
114299-67080	5	39
114299-76250	6	9
114299-76500	6	10
114299-76521	6	11
114299-76590	6	21
114299-76600	6	24
114299-76610	6	25
114299-76630	6	20

Parts No.	Fig. No.	Ref. No.
114299-83020	8	33
		38
114299-92590	10	8
114299-92600	10	9
114299-92710	10	10
114299-92720	10	11
114299-92730	10	12
114299-92740	10	13
11429C-13500	3	16 -1
11429C-13510	3	16 -2
11429C-13700	3	18 -1
11431C-13720	3	19 -1
114351-77500	9	37
114351-77520	9	39
114351-77700	9	43
114362-77011	9	1
114371-77160	9	7
114371-77170	9	13
114371-77180	9	14
114371-79040	9	8
114371-79050	9	9
114371-79060	9	10
114371-79070	9	17
114381-77110	9	2
114381-77130	9	5
114381-77140	9	6
114381-77151	9	12
114399-76531	6	13
114399-76540	6	14
114399-76550	6	15
114399-76560	6	16
114399-76570	6	17
114399-76580	6	18
114399-76620	6	19
114399-77400	9	30
114399-77540	9	32
114399-77550	9	28
114399-77710	9	34
114399-78000	9	33
114399-78260	9	21
114399-78730	9	22
114399-78740	9	23
114650-59060	8	24
114650-59061	8	24 -1
114740-02110	1	34 -1
114740-02200	1	55 -1
114740-02210	1	56 -1
114770-07450	3	5
114770-23100	4	40
114770-61520	5	28

Parts No. Index

Parts No.	Fig. No.	Ref. No.
114770-61610	5	30
114770-66010	5	46
114771-11250	2	10
114771-11260	2	11
114771-11310	2	33
	10	28
114771-11461	10	27
114771-11650	2	12
114771-11660	2	16
114771-12010	3	10
114771-12200	3	11
	10	30
114771-14260	4	7
114771-61350	5	27
114780-59010	8	19
114780-59060	8	20
114780-61090	5	54
119260-11370	2	22
119265-23200	4	37
124066-59100	8	25
124195-77770	9	16
124298-77020	9	15
124550-51350	7	17
124722-59050	8	23
124950-01250	1	9
129100-77510	10	36
160210-02220	1	48
160710-78710	9	24
160725-78350	5	40
183250-39450	1	51
22117-080000	8	15
22190-160002	1	44
	10	25
22242-000120	2	20
22252-000190	4	33
22312-030160	2	41
	5	9
22312-040080	1	26
22322-030200	5	31
22351-020006	7	11
22351-025005	7	28
22351-030008	7	21
22351-040008	2	28
22451-060000	5	55
22512-040120	4	23
23080-014000	8	21
23414-080000	8	4
	10	33
24101-062020	4	46
24162-152112	1	49

Parts No.	Fig. No.	Ref. No.
24341-000150	8	13
	10	35
24341-000224	5	13
	10	34
26023-040102	9	31
26106-060082	3	19
	6	22
26106-060122	5	10
	6	2
		23
	9	25
		35
26106-060142	3	20
	5	44
26106-060162	5	14
	8	16
26106-060202	5	45
	9	26
		36
26106-060252	1	38
	3	12
26106-060452	2	29
26106-060552	2	44
26106-080122	1	50
26106-080162	3	20
26106-080352	1	39
26106-080452	8	17
26106-100302	9	19
26117-050089	5	36
26216-080182	3	21
26226-060142	3	13
26226-060182	1	27
26226-060222	1	28
26226-060552	3	14
26347-060002	5	41
26366-060002	1	29
	2	30
	8	18
26366-080002	3	22
26453-080252	1	54
26577-060142	9	27
26716-080002	9	20
26757-060002	5	42
26776-100002	5	53
26856-060002	2	15
		19
27310-055001	2	31
29220-083200	9	44
714110-55720	8	1
714120-22580	4	53

Parts No.	Fig. No.	Ref. No.
714120-22620	4	47
714120-22720	4	24
714139-51300	7	1
714139-53200	7	22
714210-66100	5	32
714295-14580	4	1
714295-22500	4	26
714295-22540	4	49
714295-22550	4	55
714299-23700	4	34
714299-61701	5	21
714770-23600	4	38
714770-23610	4	59
714770-23620	4	61
714770-28531	4	41
714778-21700	4	9
X2114274200	9	18
X2114715500	9	4
X2114811000	9	3
X211485016	9	11

Parts No.	Fig. No.	Ref. No.
-----------	----------	----------