

0CC50-M02670EN

# P R E F A C E

This parts catalog is the 1st edition of L100V2NJ7L2AASW for SWEPAC.

Published : October, 2019

## Contents

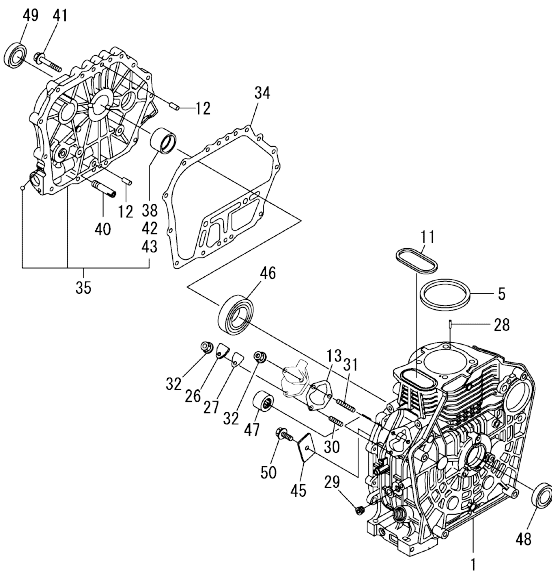
0CC50-M02670

Fig. No.	Fig. Name	Fig. No.	Fig. Name
	ENGINE	25.	GASKET SET
1.	CYLINDER BLOCK		
2.	DRAIN PLUG		
3.	LABEL		
4.	CYLINDER HEAD & BONNET		
5.	AIR CLEANER		
6.	PRE CLEANER		
7.	EXHAUST MUFFLER		
8.	CAMSHAFT		
9.	CRANKSHAFT		
10.	FLYWHEEL		
11.	PISTON & CONNECTING ROD		
12.	BALANCER SHAFT		
13.	LUB. OIL PUMP & GOVERNOR		
14.	SWITCH(OIL PRESSURE)		
15.	COVER		
16.	COOLING FAN CASE		
17.	FUEL INJECTION PUMP & FUEL INJECTION VALVE		
18.	FUEL TANK & FUEL PIPE		
19.	CONTROL DEVICE		
20.	RECOIL STARTER		
21.	STARTER MOTOR		
22.	ELECTRIC PARTS		
23.	DYNAMO		
24.	ACCESSORY		

Fig.1. CYLINDER BLOCK

(A)=L100V2NJ7L2AASW  
(B)=  
(C)=

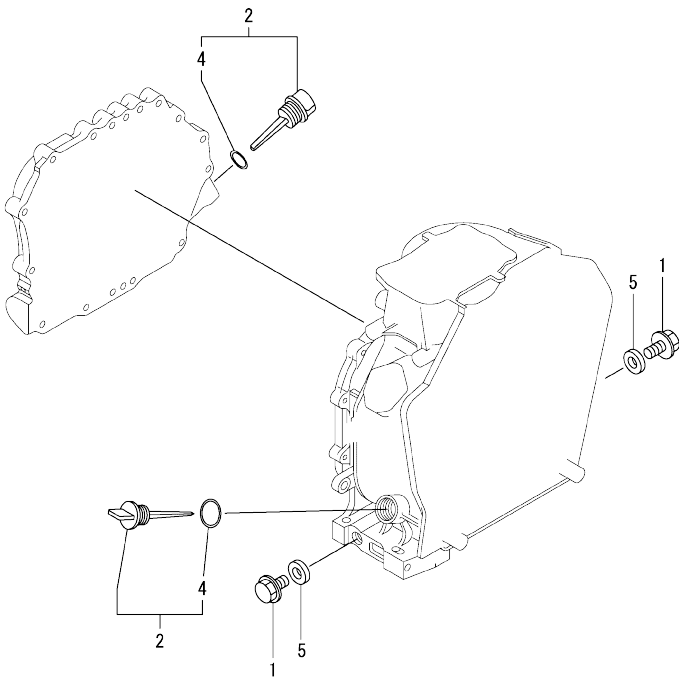
(D)=  
(E)=  
(F)=



No.	Lev.	Parts No.	Description	Q'ty						I	R
				(A)	(B)	(C)	(D)	(E)	(F)		
1	1	114310-01020	BLOCK ASSY, CYLINDER	1							
5	1	114695-01331	GASKET, HEAD	1							
11	1	114699-01380	O-RING, TAPPET	1							
12	1	114299-01600	PIN, PARALLEL 8X12	2							
13	1	114299-01800	SHIM SET, PUMP	1							
26	1	114299-01830	COVER, PUMP	1							
27	1	114250-01841	GASKET, COVER	1							
28	1	22312-040080	PIN, PARALLEL M4X 8	2							
29	1	23875-020000	PLUG, R02	1							
30	1	26226-060182	STUD, M6X 18	1							
31	1	26226-060222	STUD, M6X 22	2							
32	1	26366-060002	NUT, M6	3							
34	1	114699-01410	GASKET, CASE COVER	1							
35	1	114311-01450	COVER, CRANKCASE D	1							
38	2	114940-02110	BEARING, MAIN	1							1
40	1	114299-35150	PIPE, OIL INLET	1							
41	1	26106-080352	BOLT, M8X 35 PLATED	16							
42	1	114940-02200	BEARING, MAIN 0.25OS	1							2
43	1	114940-02210	BEARING, MAIN 0.50OS	1							3
45	1	114299-02030	RETAINER, BEARING	1							
46	1	114650-02150	BEARING, HR6308G3C3	1							
47	1	24162-152220	BEARING, 152220	1							
48	1	24423-355008	SEAL, OIL TC355008	1							
49	1	24423-355008	SEAL, OIL TC355008	1							
50	1	26106-080122	BOLT, M8X 12 PLATED	1							

Remarks  
(1)Spare parts.  
(2)Over-sized(O.S.=0.25) parts.  
(3)Over-sized(O.S.=0.50) parts.

OCC50-M02670 ENGINE  
 Fig.2. DRAIN PLUG



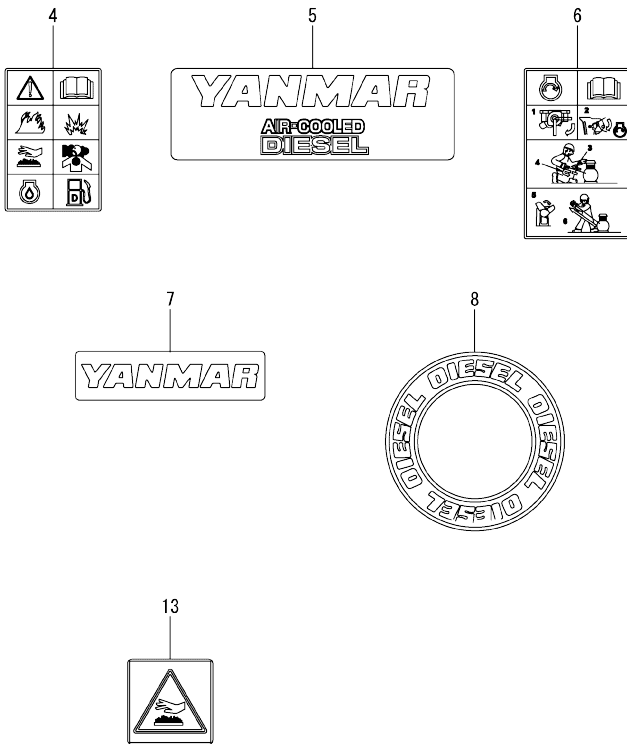
OCC50-M02670 Fig.2

(A)=L100V2NJ7L2AASW  
 (B)=  
 (C)=

(D)=  
 (E)=  
 (F)=

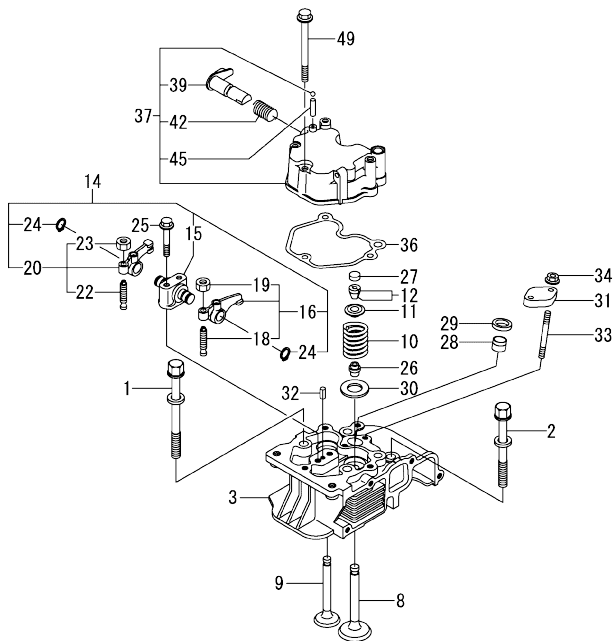
No.	Lev.	Parts No.	Description	Q'ty					
				(A)	(B)	(C)	(D)	(E)	(F)
1	1	114299-01690	PLUG, DRAIN 16	2					
2	1	114699-01760	CAP ASSY, OIL SUPPLY	2					
4	2	114299-01950	O-RING, 18	2					
5	1	22190-160002	WASHER, SEAL 16	2					

Fig.3. LABEL



No.	Lev.	Parts No.	Description	Q'ty					
				(A)	(B)	(C)	(D)	(E)	(F)
4	1	114220-07100	LABEL, CAUTION	1					
5	1	114299-07101	LABEL, YANMAR MARK A	1					
6	1	114220-07110	LABEL, HOW TO START	1					
7	1	114299-07111	LABEL, YANMAR MARK B	1					
8	1	114299-07160	LABEL, DIESEL	1					
13	1	114220-07130	LABEL, HOT SURFACE	1					

Fig.4. CYLINDER HEAD & BONNET



(A)=L100V2NJ7L2AASW  
(B)=  
(C)=

(D)=  
(E)=  
(F)=

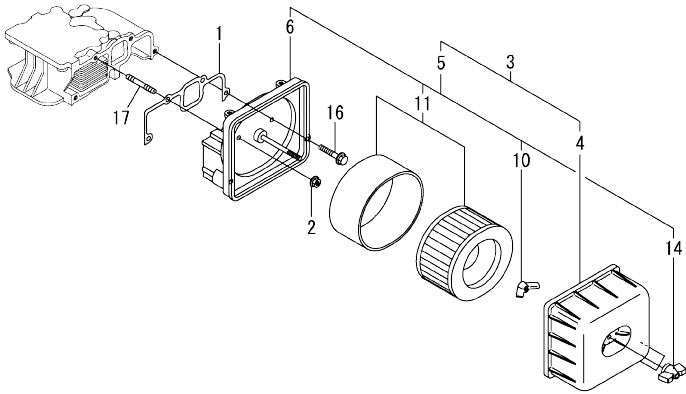
No.	Lev.	Parts No.	Description	Q'ty						I	R
				(A)	(B)	(C)	(D)	(E)	(F)		
1	1	114310-01200	BOLT, HEAD A	2							
2	1	114310-01210	BOLT, HEAD B	2							
3	1	114310-11020	HEAD, CYLINDER	1							
8	1	11431C-11100	VALVE, INTAKE	1							
9	1	11431C-11110	VALVE, EXHAUST	1							
10	1	114310-11120	SPRING, VALVE	2							
11	1	114310-11180	RETAINER, SPRING	2							
12	1	114310-11930	COTTER ASSY	2							
14	1	11431C-11250	SUPPORT ASSY, ARM	1							
15	2	11431C-11260	SUPPORT, ROCKER ARM	1							
16	2	11431C-11650	ARM, ROCKER	1							
18	3	114250-11240	SCREW, VALVE ADJUST	1							
19	3	26856-060002	NUT, M6	1							
20	2	11431C-11660	ARM, ROCKER	1							
22	3	114250-11240	SCREW, VALVE ADJUST	1							
23	3	26856-060002	NUT, M6	1							
24	2	22242-000150	RING, 15	2							
25	1	114310-11290	BOLT, SUPPORT	2							
26	1	114650-11341	SEAL, VALVE STEM	2							
27	1	104211-11370	CAP, VALVE	2							
28	1	114240-11450	PROTECTOR, NOZZLE	1							
29	1	114240-11550	SEAT, NOZZLE	1							
30	1	114699-11600	WASHER	2							
31	1	114210-11901	RETAINER, VALVE	1							
32	1	22351-040008	PIN, SPRING 4.0X 8	1							
33	1	26226-060552	STUD, M6X 55	2							
34	1	26366-060002	NUT, M6	2							
36	1	114310-11310	GASKET, BONNET	1							
37	1	114310-11950	BONNET ASSY, HEAD	1							
39	2	114210-03590	DECOMPRESSION ASSY	1							
42	2	114299-03640	SPRING, DECOMPRESSION	1							
45	2	22312-030160	PIN, PARALLEL M3X16	1							
49	1	26106-060652	BOLT, M6X 65 PLATED	3							

OCC50-M02670 ENGINE  
 Fig.5. AIR CLEANER

OCC50-M02670 Fig.5

(A)=L100V2NJ7L2AASW  
 (B)=  
 (C)=

(D)=  
 (E)=  
 (F)=



No.	Lev.	Parts No.	Description	Q'ty						I	R
				(A)	(B)	(C)	(D)	(E)	(F)		
1	1	114310-12210	GASKET, AIR CLEANER	1							
2	1	114299-12300	NUT	3							
3	1	114340-12510	CLEANER ASSY, AIR	1							
4	2	114240-12520	COVER, AIR CLEANER	1							
5	2	114320-12910	CLEANER ASSY, AIR	1							
6	3	114320-12010	BODY ASSY, CLEANER	1							
10	3	114210-12560	NUT, WING	1							
11	3	114210-12590	ELEMENT ASSY	1							
14	3	114210-12600	KNOB	1							
16	1	26106-060402	BOLT, M6X 40 PLATED	1							
17	1	26226-060352	STUD, M6X 35	3							



OCC50-M02670 ENGINE  
 Fig.6. PRE CLEANER

OCC50-M02670 Fig.6

(A)=L100V2NJ7L2AASW  
 (B)=  
 (C)=

(D)=  
 (E)=  
 (F)=

No.	Lev.	Parts No.	Description	Q'ty						I	R
				(A)	(B)	(C)	(D)	(E)	(F)		
1	1	114239-12900	CLEANER ASSY. PRE	1							
4	1	114340-12960	STAY, PRE CLEANER	1							
5	1	114340-12970	PIPE, PRE CLEANER	1							
6	1	23000-070000	CLAMP, 70	2							
7	1	26557-050122	SCREW, M5X12	3							

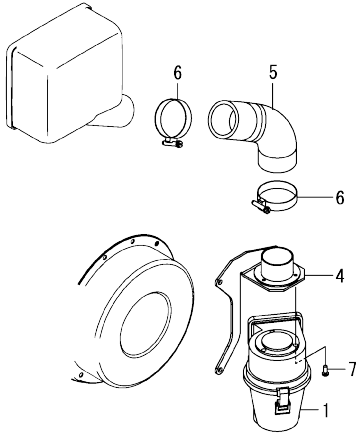
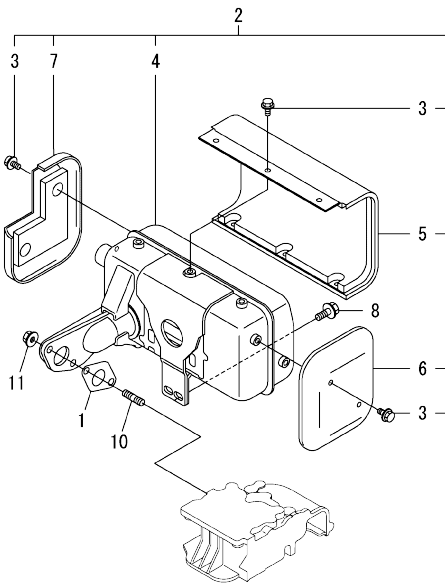


Fig.7. EXHAUST MUFFLER



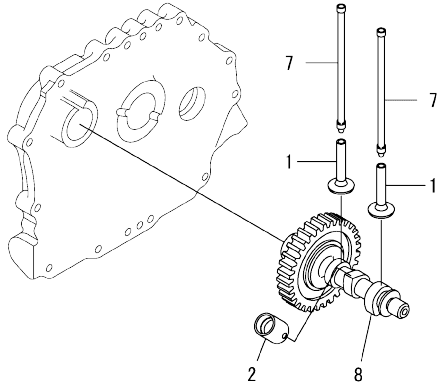
(A)=L100V2NJ7L2AASW  
(B)=  
(C)=

(D)=  
(E)=  
(F)=

No.	Lev.	Parts No.	Description	Q'ty						I	R
				(A)	(B)	(C)	(D)	(E)	(F)		
1	1	114310-13200	GASKET, MUFFLER	1							
2	1	114910-13500	MUFFLER ASSY	1							
3	2	160260-01580	BOLT, FLANGE M6X6	10							
4	2	114674-13511	MUFFLER	1							
5	2	114910-13700	COVER, MUFFLER A	1							
6	2	114910-13710	COVER, MUFFLER B	1							
7	2	114910-13720	COVER, MUFFLER C	1							
8	1	26106-080202	BOLT, M8X 20 PLATED	2							
10	1	26216-080182	STUD, M8X 18	2							
11	1	26306-080002	NUT, M8	2							

OCC50-M02670 ENGINE  
 Fig.8. CAMSHAFT

OCC50-M02670 Fig.8



(A)=L100V2NJ7L2AASW  
 (B)=  
 (C)=

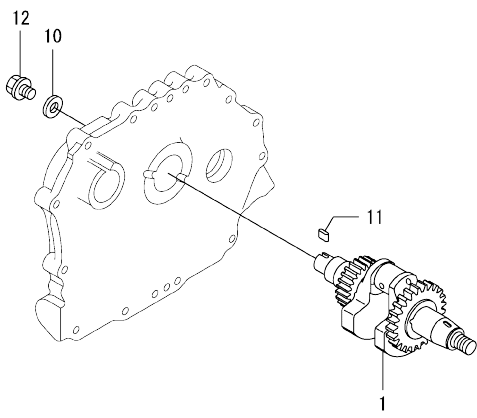
(D)=  
 (E)=  
 (F)=

No.	Lev.	Parts No.	Description	Q'ty					
				(A)	(B)	(C)	(D)	(E)	(F)
1	1	114310-14200	TAPPET	2					
2	1	114210-14300	TAPPET ASSY, ROLLER	1					
7	1	114310-14400	ROD ASSY, PUSH	2					
8	1	114310-14580	CAMSHAFT ASSY	1					

OCC50-M02670 ENGINE

Fig.9. CRANKSHAFT

OCC50-M02670 Fig.9



(A)=L100V2NJ7L2AASW  
(B)=  
(C)=

(D)=  
(E)=  
(F)=

No.	Lev.	Parts No.	Description	Q'ty						I	R
				(A)	(B)	(C)	(D)	(E)	(F)		
1	1	11431C-21770	CRANKSHAFT(DEPACASY)	1							
10	1	160310-14550	WASHER, PULLEY	1							
11	1	22512-070140	KEY, 7X 14	1							
12	1	26106-080202	BOLT, M8X 20 PLATED	1							

OCC50-M02670 ENGINE  
 Fig.10. FLYWHEEL

OCC50-M02670 Fig.10

(A)=L100V2NJ7L2AASW  
 (B)=  
 (C)=

(D)=  
 (E)=  
 (F)=

No.	Lev.	Parts No.	Description	Q'ty					
				(A)	(B)	(C)	(D)	(E)	(F)
1	1	114699-21220	NUT, WHEEL	1					
2	1	114699-21550	WASHER, FLYWHEEL	1					
3	1	114699-21600	FLYWHEEL ASSY, DE	1					
6	2	114699-21630	GEAR, RING	1					
7	1	22512-050140	KEY, 5X 14	1					

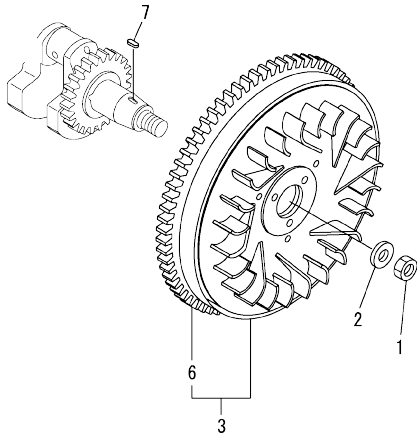
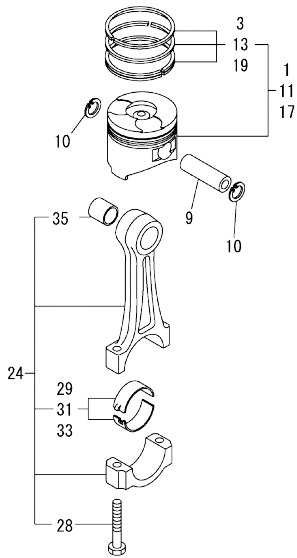


Fig.11. PISTON & CONNECTING ROD



(A)=L100V2NJ7L2AASW  
(B)=  
(C)=

(D)=  
(E)=  
(F)=

No.	Lev.	Parts No.	Description	Q'ty						I	R
				(A)	(B)	(C)	(D)	(E)	(F)		
1	1	714310-22720	PISTON ASSY, D	1							
3	2	714310-22500	RING SET, PISTON	1							
9	1	114699-22300	PIN, PISTON D=23	1							
10	1	114310-22500	RING, SEEGER J23	2							
11	1	714310-22620	PISTON ASSY, 0.25 OS	1							1
13	2	714310-22540	RING SET, PISTON .25	1							1
17	1	714310-22580	PISTON ASSY, 0.50 OS	1							2
19	2	714310-22550	RING SET, PISTON .50	1							2
24	1	11432C-23700	ROD ASSY, CONNECTING	1							2
28	3	114310-23200	BOLT, CONNECTING ROD	2							
29	2	114940-23600	METAL ASSY, CRANK PIN	1							
31	1	114940-23610	METAL ASSY, PIN .25	1							1
33	1	114940-23620	METAL ASSY, PIN .50	1							2
35	1	114940-23910	BUSH, PISTON PINN	1							3

Remarks  
(1)Over-sized(O.S.=0.25) parts.  
(2)Over-sized(O.S.=0.50) parts.  
(3)Spare parts.

Fig.12. BALANCER SHAFT

(A)=L100V2NJ7L2AASW  
(B)=  
(C)=

(D)=  
(E)=  
(F)=

No.	Lev.	Parts No.	Description	Qty					
				(A)	(B)	(C)	(D)	(E)	(F)
1	1	714310-28510	SHAFT ASSY, BALANCER	1					
6	1	24101-063040	BEARING, BALL 6304C3	2					

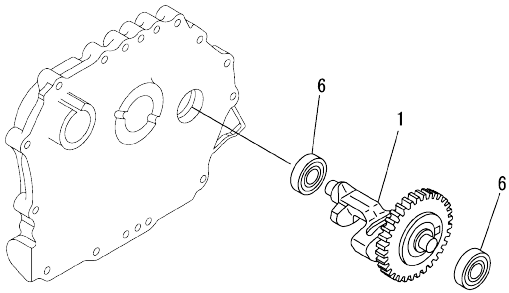
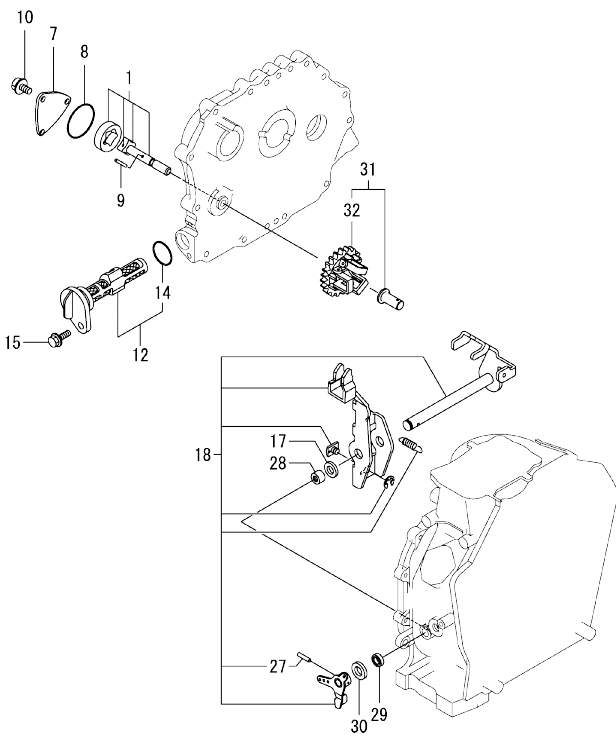


Fig.13. LUB. OIL PUMP & GOVERNOR



(A)=L100V2NJ7L2AASW  
(B)=  
(C)=

(D)=  
(E)=  
(F)=

No.	Lev.	Parts No.	Description	Q'ty						I	R
				(A)	(B)	(C)	(D)	(E)	(F)		
1	1	114650-32010	PUMP ASSY, OIL	1							
7	1	114299-32070	COVER, OIL PUMP	1							
8	1	114299-32570	O-RING, PUMP COVER	1							
9	1	22312-030160	PIN, PARALLEL M3X16	1							
10	1	26106-060122	BOLT, M6X 12 PLATED	3							
12	1	114299-35110	FILTER ASSY, OIL	1							
14	2	24341-000224	O-RING, 1AS22.4	1							
15	1	26106-060162	BOLT, M6X 16 PLATED	1							
17	1	114299-61190	WASHER, GOVERNOR	1							
18	1	114311-61500	LEVER ASSY, GOVERNOR	1							1
27	2	22322-030200	PIN, TAPER 3X20	1							
28	1	114770-61520	BEARING, NEEDLE	2							
29	1	114299-61600	SEAL, OIL	1							
30	1	114770-61610	WASHER, THRUST	1							
31	1	714210-61701	GOVERNOR ASSY	1							
32	2	114210-61290	WEIGHT ASSY, GOVERNOR	1							

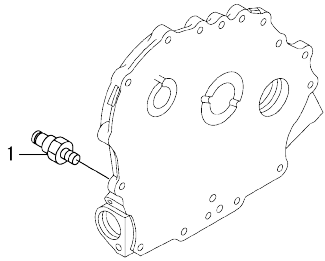
Remarks

(1) On a guarantee of quality, component parts shall not be sold.



OCC50-M02670 ENGINE

Fig.14. SWITCH(OIL PRESSURE)



OCC50-M02670 Fig.14

(A)=L100V2NJ7L2AASW  
(B)=  
(C)=

(D)=  
(E)=  
(F)=

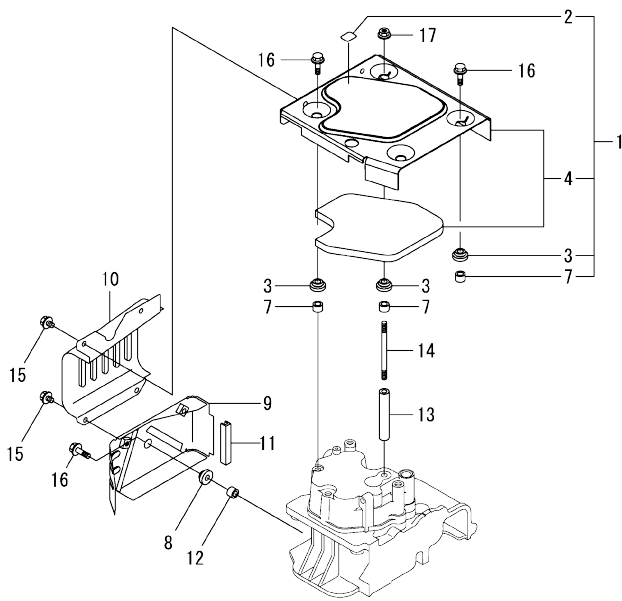
No.	Lev.	Parts No.	Description	Q'ty						I	R
				(A)	(B)	(C)	(D)	(E)	(F)		
1	1	183250-39450	SWITCH, PRESSURE	1							

OCC50-M02670 ENGINE  
 Fig.15. COVER

OCC50-M02670 Fig.15

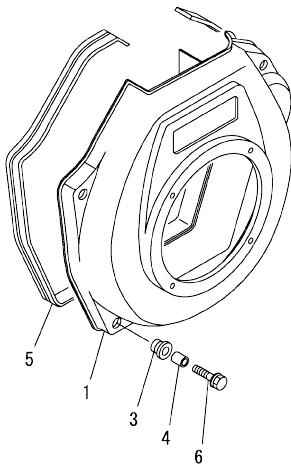
(A)=L100V2NJ7L2AASW  
 (B)=  
 (C)=

(D)=  
 (E)=  
 (F)=



No.	Lev.	Parts No.	Description	Q'ty					
				(A)	(B)	(C)	(D)	(E)	(F)
1	1	114320-45210	COVER ASSY, TOP	1					
2	2	114220-07120	LABEL, DECOMPRESSION	1					
3	2	114299-45220	GROMMET, TANK	4					
4	2	114310-45320	COVER, TOP	1					
7	2	114399-45340	COLLAR	4					
8	1	114299-45220	GROMMET, TANK	1					
9	1	114310-45260	COVER, SIDE B	1					
10	1	114310-45270	COVER, SIDE A	1					
11	1	114399-45320	RUBBER, SEAL	1					
12	1	114399-45340	COLLAR	1					
13	1	114310-45350	SPACER, TOP COVER	1					
14	1	114310-45360	STUD, M6X77	1					
15	1	26106-060082	BOLT, M6X 8 PLATED	4					
16	1	26106-060202	BOLT, M6X 20 PLATED	4					
17	1	26366-060002	NUT, M6	1					

Fig.16. COOLING FAN CASE



(A)=L100V2NJ7L2AASW  
(B)=  
(C)=

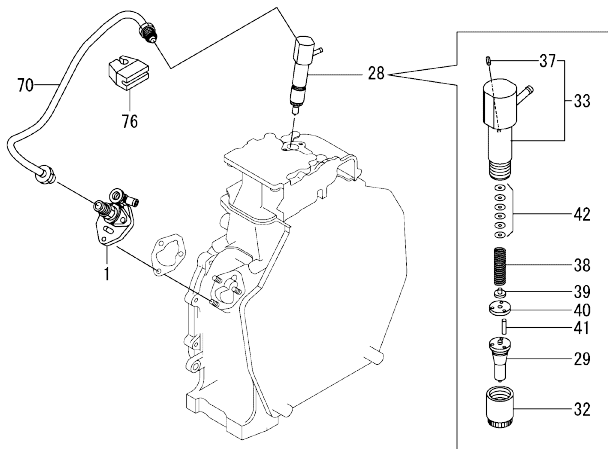
(D)=  
(E)=  
(F)=

No.	Lev.	Parts No.	Description	Qty						I	R	
				(A)	(B)	(C)	(D)	(E)	(F)			
1	1	114310-45150	CASE, COOLING FAN	1								
3	1	114299-45301	RUBBER, FAN CASE	4								
4	1	114299-45310	COLLAR, FAN CASE	4								
5	1	114699-45331	SEAL, FAN CASE	1								
6	1	114299-45350	BOLT, FAN CASE	4								

Fig.17. FUEL INJECTION PUMP & FUEL INJECTION VALVE

(A)=L100V2NJ7L2AASW  
(B)=  
(C)=

(D)=  
(E)=  
(F)=

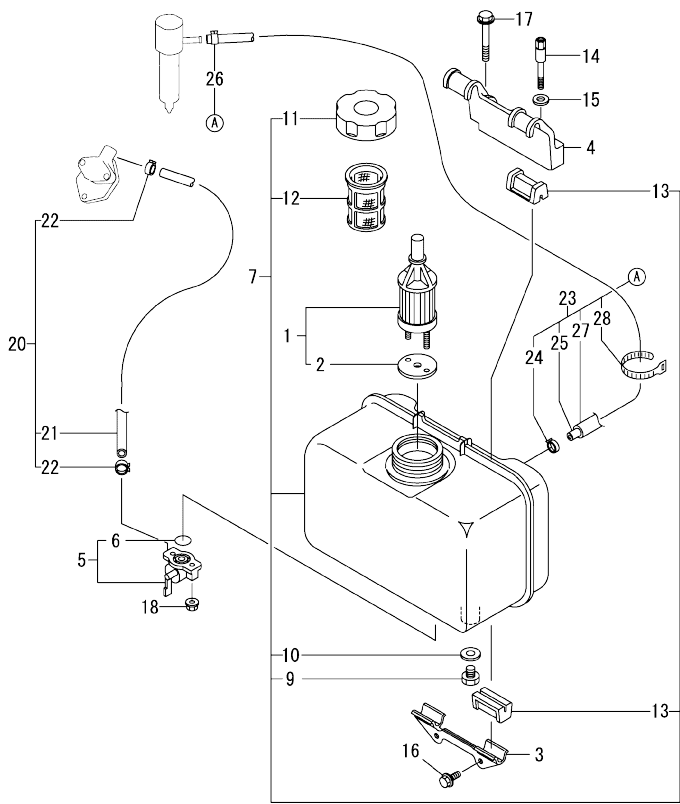


No.	Lev.	Parts No.	Description	Q'ty						I	R
				(A)	(B)	(C)	(D)	(E)	(F)		
1	1	714349-51440	PUMP ASSY, INJECTION	1							1
28	1	714249-53100	VALVE ASSY, INJECTION	1							
29	2	114249-53000	VALVE ASSY, INJECTION	1							
32	2	114250-53080	NUT, NOZZLE	1							
33	2	114339-53100	HOLDER ASSY, NOZZLE	1							
37	3	22351-025005	PIN, SPRING 2.5X 6	1							
38	2	114250-53120	SPRING, NOZZLE	1							
39	2	114250-53130	SEAT, SPRING	1							
40	2	114250-53140	SPACER, VALVE STOP	1							
41	2	114250-53210	PIN, POSITIONING	2							
42	2	119803-53400	SHIM SET	1							
70	1	114310-59800	PIPE ASSY, INJECTION	1							
76	1	114699-59850	SUPPORT, PIPE	1							

Remarks

(1) On a guarantee of quality, component parts shall not be sold.

Fig.18. FUEL TANK & FUEL PIPE

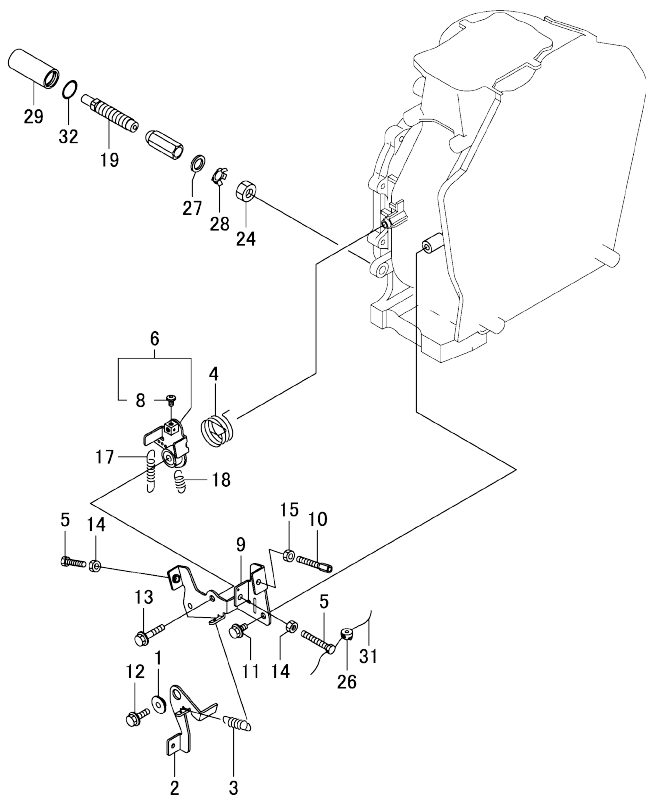


(A)=L100V2NJ7L2AASW  
(B)=  
(C)=

(D)=  
(E)=  
(F)=

No.	Lev.	Parts No.	Description	Q'ty						I	R
				(A)	(B)	(C)	(D)	(E)	(F)		
1	1	114250-55122	FILTER ASSY,FUEL OIL	1							
2	2	114250-55130	GASKET	1							
3	1	114210-55210	STAY, FUEL TANK A	1							
4	1	114310-55230	STAY, FUEL TANK B	1							
5	1	114240-55300	COCK ASSY, FUEL	1							
6	2	24311-000125	O-RING, 1AP12.5	1							
7	1	11432C-55710	TANK ASSY, FUEL OIL	1							
9	2	114299-55080	PLUG, DRAIN	1							
10	2	23414-080000	GASKET, 8X1.0	1							
11	2	114299-55040	CAP ASSY, FUEL TANK	1							
12	2	114299-55110	STRAINER, FUEL TANK	1							
13	2	114740-55200	DAMPER, FUEL TANK	4							
14	1	114210-55810	BOLT, LIFTING	1							
15	1	22117-080000	WASHER, 8	1							
16	1	26106-060162	BOLT, M6X 16 PLATED	2							
17	1	26106-080452	BOLT, M8X 45 PLATED	1							
18	1	26366-060002	NUT, M6	2							
20	1	114780-59010	PIPE ASSY, FUEL L50	1							
21	2	114780-59060	PIPE, FUEL L=50	1							
22	2	23080-014000	CLAMP, 14	2							
23	1	114339-59301	PIPE ASSY, FO RETURN	1							
24	2	124722-59050	CLAMP, HOSE 9	1							
25	2	114310-59061	PIPE, FO RETURN	1							
26	2	124066-59100	CLAMP, HOSE 8	1							
27	2	114310-59310	HOSE, PROTECTION	1							
28	2	121750-59890	BAND, NYLON	1							

Fig.19. CONTROL DEVICE

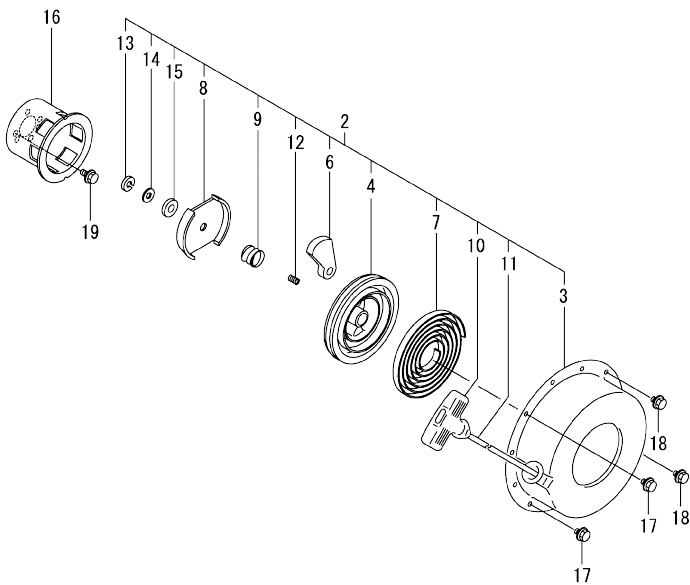


(A)=L100V2NJ7L2AASW  
(B)=  
(C)=

(D)=  
(E)=  
(F)=

No.	Lev.	Parts No.	Description	Q'ty						I	R
				(A)	(B)	(C)	(D)	(E)	(F)		
1	1	114654-66140	PIECE, REGULATOR	1							
2	1	114650-66150	LEVER, STOP	1							
3	1	114268-66200	SPRING, RETURN	1							
4	1	114299-66250	SPRING, RETURN	1							
5	1	114299-66440	BOLT, ADJUSTER	2							
6	1	114652-66871	LEVER, REGULATOR	1							
8	2	105225-66990	SCREW, INNER WIRE	1							
9	1	114652-66881	BRACKET, LEVER	1							
10	1	114299-67080	BOLT, ADJUST	1							
11	1	26106-060122	BOLT, M6X 12 PLATED	1							
12	1	26106-060202	BOLT, M6X 20 PLATED	1							
13	1	26106-060302	BOLT, M6X 30 PLATED	1							
14	1	26857-060002	NUT, M6	2							
15	1	26857-060002	NUT, M6	1							
17	1	114310-66010	SPRING, REGULATOR	1							
18	1	114299-66201	SPRING, RETURN	1							
19	1	114341-66600	LIMITER ASSY, FUEL	1							
24	1	26776-100002	NUT, LOCK M10	1							
26	1	114780-61090	TIN	1							
27	1	114771-61800	WASHER, PLAIN 10	1							
28	1	114771-61820	PLATE	1							
29	1	114771-61900	PROTECTOR	1							
31	1	22451-060000	WIRE, 0.6	1							
32	1	24311-000125	O-RING, 1AP12.5	1							

Fig.20. RECOIL STARTER



(A)=L100V2NJ7L2AASW  
(B)=  
(C)=

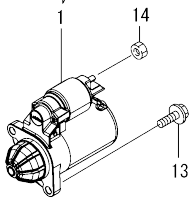
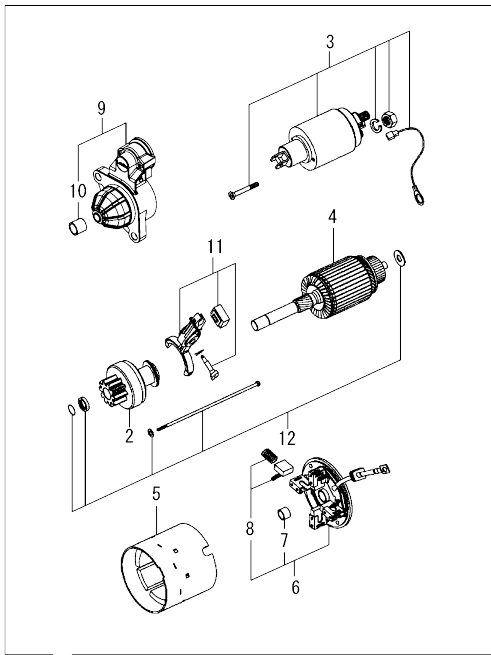
(D)=  
(E)=  
(F)=

No.	Lev.	Parts No.	Description	Q'ty						I	R
				(A)	(B)	(C)	(D)	(E)	(F)		
2	2	114699-76251	RECOIL ASSY	1							
3	3	114699-76510	CASE, STARTER	1							
4	3	114699-76521	REEL, RECOIL	1							
6	3	114699-76531	RATCHET	2							
7	3	114399-76540	SPRING, SPIRAL	1							
8	3	114699-76551	GUIDE, RATCHET	1							
9	3	114699-76560	SPRING, FRICTION	1							
10	3	114399-76620	KNOB, STARTER	1							
11	3	114699-76630	ROPE, STARTER	1							
12	3	114699-76650	SPRING, RETURN	1							
13	3	114699-76660	CIRCLIP	1							
14	3	114699-76670	WASHER	1							
15	3	114699-76680	WASHER	1							
16	2	114699-76592	PULLEY, STARTER	1							
17	1	26106-060082	BOLT, M6X 8 PLATED	2							
18	1	26106-060122	BOLT, M6X 12 PLATED	2							
19	1	26106-060122	BOLT, M6X 12 PLATED	3							

Fig.21. STARTER MOTOR

(A)=L100V2NJ7L2AASW  
(B)=  
(C)=

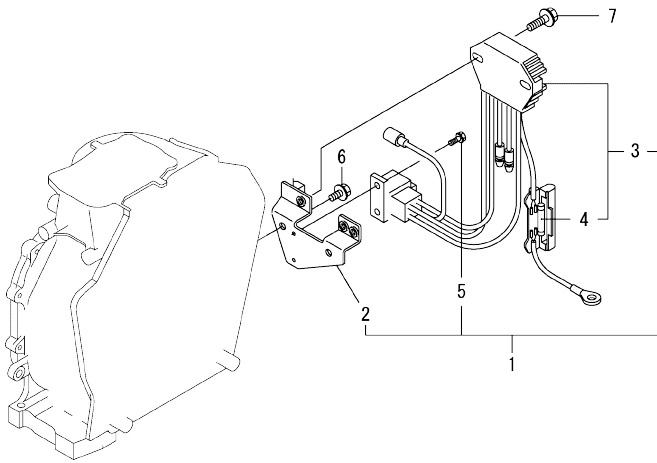
(D)=  
(E)=  
(F)=



No.	Lev.	Parts No.	Description	Q'ty					
				(A)	(B)	(C)	(D)	(E)	(F)
1	1	114320-77010	MOTOR ASSY, STARTER	1					
2	2	114399-77040	CLUTCH ASSY, PINION	1					
3	2	114399-77060	SWITCH ASSY, MAGNET	1					
4	2	114320-77110	ARMATURE ASSY	1					
5	2	114320-77130	YOKE ASSY	1					
6	2	114399-77140	COVER ASSY, REAR	1					
7	3	114399-77050	BUSH, REAR	1					
8	3	114399-77160	HOLDER ASSY, BRUSH	4					
9	2	114399-77150	CASE ASSY, GEAR	1					
10	3	114399-77030	BUSH, TOP	1					
11	2	114399-77180	LEVER KIT, SHIFT	1					
12	2	114320-77770	BOLT ASSY, THROUGH	2					
13	1	26106-100302	BOLT, M10X 30 PLATED	2					
14	1	26716-080002	NUT, M8	1					



Fig.22. ELECTRIC PARTS

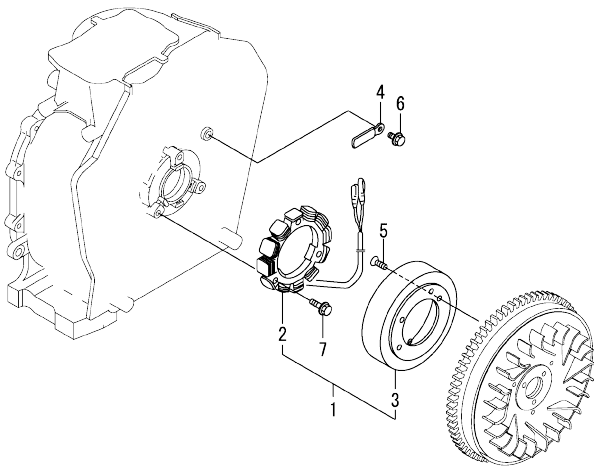


(A)=L100V2NJ7L2AASW  
(B)=  
(C)=

(D)=  
(E)=  
(F)=

No.	Lev.	Parts No.	Description	Q'ty					
				(A)	(B)	(C)	(D)	(E)	(F)
1	1	114399-77560	REGULATOR ASSY	1					
2	2	114399-77410	BRACKET, HARNESS	1					
3	2	114399-77720	REGULATOR	1					
4	3	114399-78000	FUSE, 20A	1					
5	2	26023-040102	SCREW, M4X10	2					
6	1	26106-060122	BOLT, M6X 12 PLATED	2					
7	1	26106-060202	BOLT, M6X 20 PLATED	2					

OCC50-M02670 ENGINE  
 Fig.23. DYNAMO



OCC50-M02670 Fig.23

(A)=L100V2NJ7L2AASW  
 (B)=  
 (C)=

(D)=  
 (E)=  
 (F)=

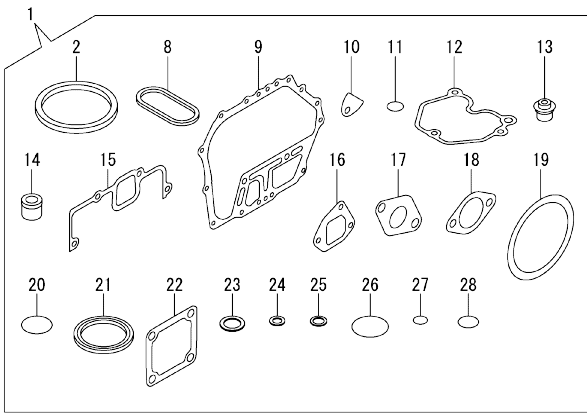
No.	Lev.	Parts No.	Description	Q'ty						I	R
				(A)	(B)	(C)	(D)	(E)	(F)		
1	1	114399-78280	DINAMO ASSY, 15A	1							
2	2	114399-78770	STATOR ASSY	1							
3	2	114399-78780	WHEEL, DYNAMO	1							
4	1	160710-78710	CLAMP, CORD	1							
5	1	114210-78800	SCREW, M6	3							
6	1	26106-060122	BOLT, M6X 12 PLATED	1							
7	1	26106-060202	BOLT, M6X 20 PLATED	3							



Fig.25. GASKET SET

(A)=L100V2NJ7L2AASW  
(B)=  
(C)=

(D)=  
(E)=  
(F)=



No.	Lev.	Parts No.	Description	Q'ty						I	R
				(A)	(B)	(C)	(D)	(E)	(F)		
1	1	114320-92600	GASKET SET	1							1
2	2	114695-01331	GASKET, HEAD	1							
8	2	114699-01380	O-RING, TAPPET	1							
9	2	114699-01410	GASKET, CASE COVER	1							
10	2	114250-01841	GASKET, COVER	1							
11	2	114299-01950	O-RING, 18	2							
12	2	114310-11310	GASKET, BONNET	1							
13	2	114650-11341	SEAL, VALVE STEM	2							
14	2	114771-11461	GASKET, NOZZLE	1							
15	2	114310-12210	GASKET, AIR CLEANER	1							
16	2	114699-12210	GASKET, AIR CLEANER	2							
17	2	114310-13200	GASKET, MUFFLER	1							
18	2	183671-13211	GASKET, MUFFLER PIPE	1							
19	2	114399-21980	GASKET	1							
20	2	114299-32570	O-RING, PUMP COVER	1							
21	2	160393-55050	GASKET	4							
22	2	129100-77510	GASKET, AIR HEATER	3							
23	2	22190-160002	WASHER, SEAL 16	2							
24	2	23414-080000	GASKET, 8X1.0	1							
25	2	23414-120000	GASKET, 12X1.0	1							
26	2	24311-000400	O-RING, 1AP40.0	1							
27	2	24341-000150	O-RING, 1AS15.0	2							
28	2	24341-000224	O-RING, 1AS22.4	1							

Remarks

(1)Optional parts.

## Parts No. Index

Parts No.	Fig. No.	Ref. No.	Parts No.	Fig. No.	Ref. No.	Parts No.	Fig. No.	Ref. No.	Parts No.	Fig. No.	Ref. No.
104211-11370	4	27	114299-35150	1	40	11431C-11250	4	14	114654-66140	19	1
105225-66990	19	8	114299-45220	15	3	11431C-11260	4	15	114674-13511	7	4
114210-03590	4	39			8	11431C-11650	4	16	114695-01331	1	5
114210-11901	4	31	114299-45301	16	3	11431C-11660	4	20		25	2
114210-12560	5	10	114299-45310	16	4	11431C-21770	9	1	114699-01380	1	11
114210-12590	5	11	114299-45350	16	6	114320-12010	5	6		25	8
114210-12600	5	14	114299-55040	18	11	114320-12910	5	5	114699-01410	1	34
114210-14300	8	2	114299-55080	18	9	114320-45210	15	1		25	9
114210-55210	18	3	114299-55110	18	12	114320-77010	21	1	114699-01760	2	2
114210-55810	18	14	114299-61190	13	17	114320-77110	21	4	114699-11600	4	30
114210-61290	13	32	114299-61600	13	29	114320-77130	21	5	114699-12210	25	16
114210-78800	23	5	114299-66201	19	18	114320-77770	21	12	114699-21220	10	1
114220-07100	3	4	114299-66250	19	4	114320-92600	25	1	114699-21550	10	2
114220-07110	3	6	114299-66440	19	5	11432C-23700	11	24	114699-21600	10	3
114220-07120	15	2	114299-67080	19	10	11432C-55710	18	7	114699-21630	10	6
114220-07130	3	13	114310-01020	1	1	114339-53100	17	33	114699-22300	11	9
114239-12900	6	1	114310-01200	4	1	114339-59301	18	23	114699-45331	16	5
114240-11450	4	28	114310-01210	4	2	114340-12510	5	3	114699-59850	17	76
114240-11550	4	29	114310-11020	4	3	114340-12960	6	4	114699-76251	20	2
114240-12520	5	4	114310-11120	4	10	114340-12970	6	5	114699-76510	20	3
114240-55300	18	5	114310-11180	4	11	114341-66600	19	19	114699-76521	20	4
114249-53000	17	29	114310-11290	4	25	114351-77520	24	1	114699-76531	20	6
114250-01841	1	27	114310-11310	4	36	114399-21980	25	19	114699-76551	20	8
	25	10		25	12	114399-45320	15	11	114699-76560	20	9
114250-11240	4	18	114310-11930	4	12	114399-45340	15	7	114699-76592	20	16
		22	114310-11950	4	37			12	114699-76630	20	11
114250-53080	17	32	114310-12210	5	1	114399-76540	20	7	114699-76650	20	12
114250-53120	17	38		25	15	114399-76620	20	10	114699-76660	20	13
114250-53130	17	39	114310-13200	7	1	114399-77030	21	10	114699-76670	20	14
114250-53140	17	40		25	17	114399-77040	21	2	114699-76680	20	15
114250-53210	17	41	114310-14200	8	1	114399-77050	21	7	114740-55200	18	13
114250-55122	18	1	114310-14400	8	7	114399-77060	21	3	114770-61520	13	28
114250-55130	18	2	114310-14580	8	8	114399-77140	21	6	114770-61610	13	30
114268-66200	19	3	114310-22500	11	10	114399-77150	21	9	114771-11461	25	14
114299-01600	1	12	114310-23200	11	28	114399-77160	21	8	114771-61800	19	27
114299-01690	2	1	114310-45150	16	1	114399-77180	21	11	114771-61820	19	28
114299-01800	1	13	114310-45260	15	9	114399-77410	22	2	114771-61900	19	29
114299-01830	1	26	114310-45270	15	10	114399-77560	22	1	114780-59010	18	20
114299-01950	2	4	114310-45320	15	4	114399-77720	22	3	114780-59060	18	21
	25	11	114310-45350	15	13	114399-78000	22	4	114780-61090	19	26
114299-02030	1	45	114310-45360	15	14	114399-78280	23	1	114910-13500	7	2
114299-03640	4	42	114310-55230	18	4	114399-78770	23	2	114910-13700	7	5
114299-07101	3	5	114310-59061	18	25	114399-78780	23	3	114910-13710	7	6
114299-07111	3	7	114310-59310	18	27	114650-02150	1	46	114910-13720	7	7
114299-07160	3	8	114310-59800	17	70	114650-11341	4	26	114940-02110	1	38
114299-12300	5	2	114310-66010	19	17		25	13	114940-02200	1	42
114299-32070	13	7	114311-01450	1	35	114650-32010	13	1	114940-02210	1	43
114299-32570	13	8	114311-61500	13	18	114650-66150	19	2	114940-23600	11	29
	25	20	11431C-11100	4	8	114652-66871	19	6	114940-23610	11	31
114299-35110	13	12	11431C-11110	4	9	114652-66881	19	9	114940-23620	11	33

## Parts No. Index

Parts No.	Fig. No.	Ref. No.
114940-23910	11	35
119803-53400	17	42
121750-59890	18	28
124066-59100	18	26
124722-59050	18	24
129100-77510	25	22
160260-01580	7	3
160310-14550	9	10
160393-55050	25	21
160710-78710	23	4
183250-39450	14	1
183671-13211	25	18
22117-080000	18	15
22190-160002	2	5
	25	23
22242-000150	4	24
22312-030160	4	45
	13	9
22312-040080	1	28
22322-030200	13	27
22351-025005	17	37
22351-040008	4	32
22451-060000	19	31
22512-050140	10	7
22512-070140	9	11
23000-070000	6	6
23080-014000	18	22
23414-080000	18	10
	25	24
23414-120000	25	25
23875-020000	1	29
24101-063040	12	6
24162-152220	1	47
24311-000125	18	6
	19	32
24311-000400	25	26
24341-000150	25	27
24341-000224	13	14
	25	28
24423-355008	1	48
		49
26023-040102	22	5
26106-060082	15	15
	20	17
26106-060122	13	10
	19	11
	20	18
		19
	22	6
	23	6

Parts No.	Fig. No.	Ref. No.
26106-060162	13	15
	18	16
26106-060202	15	16
	19	12
	22	7
	23	7
26106-060302	19	13
26106-060402	5	16
26106-060652	4	49
26106-080122	1	50
26106-080202	7	8
	9	12
26106-080352	1	41
26106-080452	18	17
26106-100302	21	13
26216-080182	7	10
26226-060182	1	30
26226-060222	1	31
26226-060352	5	17
26226-060552	4	33
26306-080002	7	11
26366-060002	1	32
	4	34
	15	17
	18	18
26557-050122	6	7
26716-080002	21	14
26776-100002	19	24
26856-060002	4	19
		23
26857-060002	19	14
		15
714210-61701	13	31
714249-53100	17	28
714310-22500	11	3
714310-22540	11	13
714310-22550	11	19
714310-22580	11	17
714310-22620	11	11
714310-22720	11	1
714310-28510	12	1
714349-51440	17	1

Parts No.	Fig. No.	Ref. No.
-----------	----------	----------

Parts No.	Fig. No.	Ref. No.
-----------	----------	----------