

0CD10-M87600EN

Introduction

1. This parts catalog is a first edition of the L100V2AJ1R2AAS5, L100V1AJ1R1AAMK diesel engine for MIKASA SANGYO Co., Ltd.

	Parts catalog No.	Date of issue	Remarks
First edition	000Y00D8760	Sep., 2005	

2. This parts catalog does not contain the technical data needed for maintenance service.

3. The illustrations used in this parts catalog have been simplified for clarity.

4. The essential points list.

Model	Column	Model of MIKASA SANGYO Co., Ltd name
L100V2AJ1R2AAS5	A	MVH402MQ
L100V1AJ1R1AAMK	B	MRH800DSMQ

5. The contents of this parts catalog are subject to change without notice.

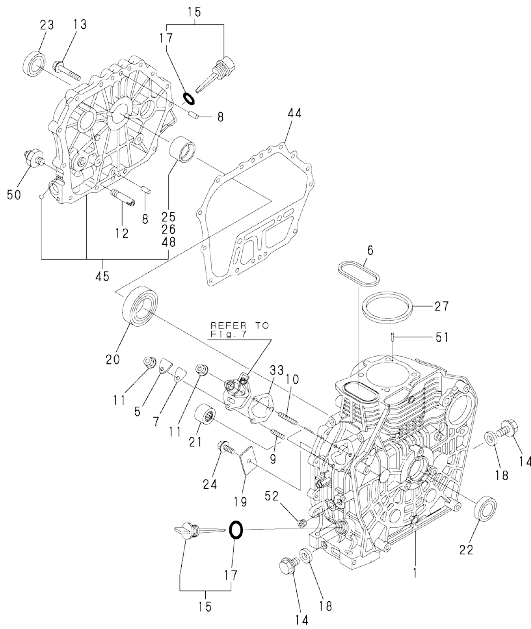
6. Be sure to use only Yanmar genuine parts for repairs. If imitation parts are used, it may cause engine defects.

Contents

OCD10-M87600

Fig. No.	Fig. Name	Fig. No.	Fig. Name
L100V SERIES			
1.	CYLINDER BLOCK		
2.	CYLINDER HEAD & BONNET		
3.	AIR CLEANER & MUFFLER		
4.	CRANKSHAFT,PISTON & CAMSHAFT		
5.	LUB.OIL PUMP & GOVERNOR		
6.	COOLING & STARTING DEVICE		
7.	FUEL INJECTION PUMP & FUEL INJECTION VALVE		
12.	(7A)FUEL INJECTION PUMP & FUEL INJECTION VALVE		
8.	FUEL TANK & FUEL PIPE		
9.	STARTING MOTOR & DYNAMO		
10.	TOOL,LABEL & GASKET SET		
11.	ACCESSORIES		

Fig.1. CYLINDER BLOCK



(A)=L100V2AJ1R2AAS5
 (B)=L100V1AJ1R1AAMK
 (C)=

(D)=
 (E)=
 (F)=

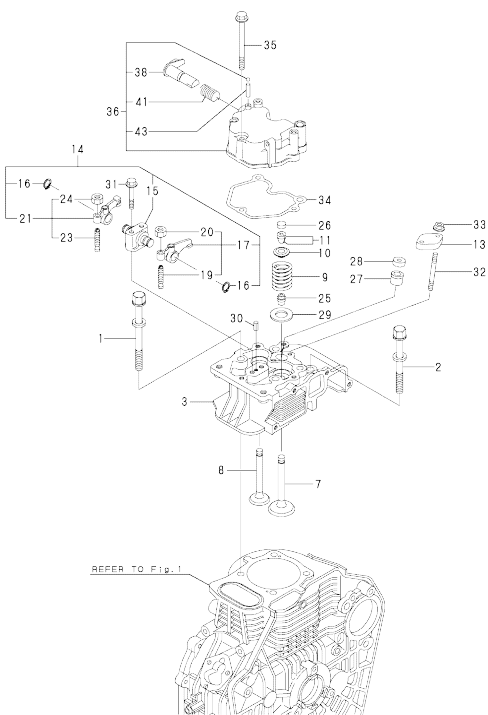
No.	Lev.	Parts No.	Description	Q'ty						I	R
				(A)	(B)	(C)	(D)	(E)	(F)		
1	1	114310-01020	BLOCK ASSY, CYLINDER	1	1						
5	1	114299-01830	COVER	1	1						
6	1	114699-01380	O-RING	1	1						
7	1	114250-01841	GASKET	1	1						
8	1	114299-01600	PIN, 8X12	2	2						
9	1	26226-060182	STUD, M6X 18	1	1						
10	1	26226-060222	STUD, M6X 22	2	2						
11	1	26366-060002	NUT, M6	3	3						
12	1	114299-35150	PIPE, OIL INLET	1	1						
13	1	26106-080352	BOLT, M8X 35 PLATED	16	16						
14	1	114299-01690	PLUG M16	2	2						
15	1	114699-01760	CAP ASSY	2	2						
17	2	114299-01950	O-RING, 18	2	2						
18	1	22190-160002	WASHER, SEAL 16	2	2						
19	1	114299-02030	RETAINER, BEARING	1	1						
20	1	114650-02150	BEARING, HR6308G3C3	1	1						
21	1	24162-152220	BEARING, 152220	1	1						
22	1	24423-355008	SEAL, OIL TC355008	1	1						
23	1	24423-355008	SEAL, OIL TC355008	1	1						
24	1	26106-080122	BOLT, M8X 12 PLATED	1	1						
25	1	114650-02200	BEARING, 0.25 US	1	1						
26	1	114650-02210	BEARING, 0.50 US	1	1						2
27	1	114695-01330	GASKET, HEAD	1	1						3
33	1	114299-01800	SHIM SET	1	1						
44	1	114699-01410	GASKET, CRANK CASE	1	1						
45	1	114310-01450	COVER(D, CRANK CASE	1	1						
48	2	114650-02100	BEARING, MAIN	1	1						1
50	1	121252-39450	SWITCH, 0.5KG	1	1						
51	1	22312-040080	PIN, PARALLEL M4X 8	2	2						
52	1	23875-020000	PLUG, R02	1	1						

Remarks
 (1)REPAIR PART.
 (2)UNDER SIZED(U.S.=0.25)PART.
 (3)UNDER SIZED(U.S.=0.50)PART.

Fig.2. CYLINDER HEAD & BONNET

(A)=L100V2AJ1R2AA55
 (B)=L100V1AJ1R1AAMK
 (C)=

(D)=
 (E)=
 (F)=



No.	Lev.	Parts No.	Description	Qty						I	R
				(A)	(B)	(C)	(D)	(E)	(F)		
1	1	114310-01200	BOLT, CYL HEAD A	2	2						
2	1	114310-01210	BOLT, CYL HEAD B	2	2						
3	1	114310-11020	HEAD ASSY, CYLINDER	1	1						
7	1	114310-11100	VALVE, INTAKE	1	1						
8	1	114310-11110	VALVE, EXHAUST	1	1						
9	1	114310-11120	SPRING, VALVE	2	2						
10	1	114310-11180	RETAINER, SPRING	2	2						
11	1	114310-11930	COTTER ASSY	2	2						
13	1	114210-11900	RETAINER, NOZZLE	1	1						
14	1	114310-11250	SUPPORT ASSY, ROCKER	1	1						
15	2	114310-11260	SUPPORT, ROCKER ARM	1	1						
16	2	114310-11280	C TYPE RETAINING RIN	2	2						
17	2	114310-11650	ARM ASSY, INTAKE	1	1						
19	3	114299-11240	SCREW, ADJUSTING	1	1						
20	3	26856-060002	NUT, M6	1	1						
21	2	114310-11660	ARM ASSY, EXHAUST	1	1						
23	3	114299-11240	SCREW, ADJUSTING	1	1						
24	3	26856-060002	NUT, M6	1	1						
25	1	114650-11340	SEAL, VALVE STEM	2	2						
26	1	104211-11370	CAP, VALVE	2	2						
27	1	114771-11461	GASKET, NOZZLE	1	1						
28	1	114295-11470	SPACER, NOZZLE	1	1						
29	1	114699-11600	WASHER	2	2						
30	1	22351-040008	PIN, SPRING 4.0X 8	1	1						
31	1	26106-080502	BOLT, M8X 50 PLATED	2	2						
32	1	26226-060552	STUD, M6X 55	2	2						
33	1	26366-060002	NUT, M6	2	2						
34	1	114310-11310	GASKET, BONNET	1	1						
35	1	26106-060652	BOLT, M6X 65 PLATED	3	3						
36	1	114310-11950	BONNET ASSY, HEAD	1	1						
38	2	114210-03590	SHAFT ASSY, DECOMP.	1	1						
41	2	114299-03640	SPRING, DECOMPRESSION	1	1						
43	2	22312-030160	PIN, PARALLEL M3X16	1	1						

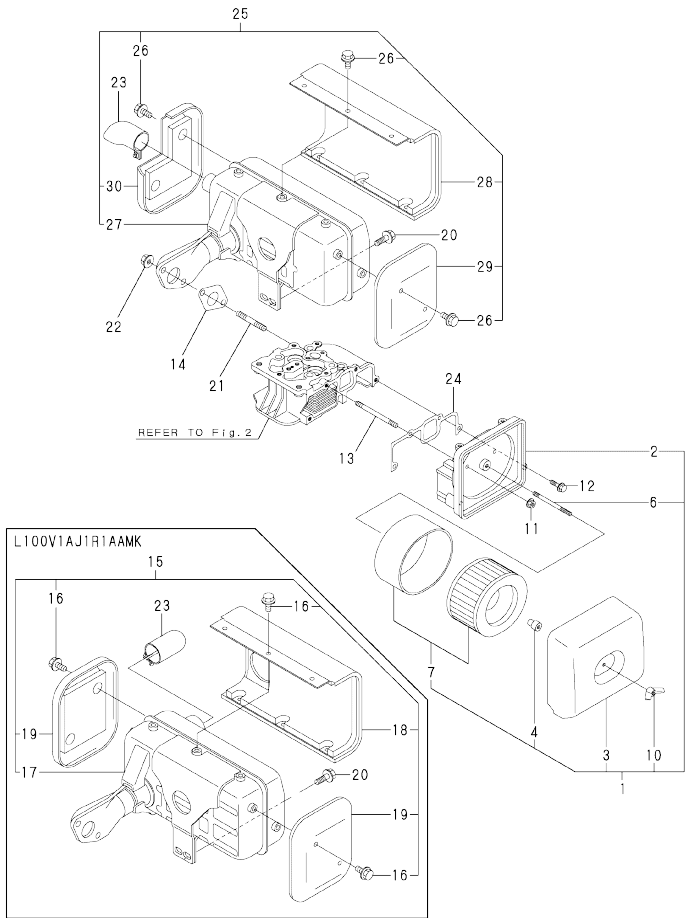
Remarks

(1) This parts is applied up to the following engine number.
 (A)=EM22145 (B)=EM22145
 Please refer to Fig.7A since above-mentioned engine number.
 Interchangeable by simultaneous replacement with Fig.7A No.(1/2),28, 57,60,61,(62) when changing to the new model.

Fig.3. AIR CLEANER & MUFFLER

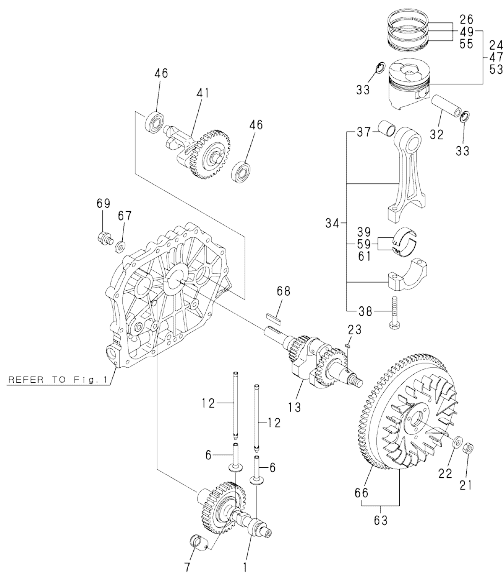
(A)=L100V2AJ1R2AAS5
 (B)=L100V1AJ1R1AAMK
 (C)=

(D)=
 (E)=
 (F)=



No.	Lev.	Parts No.	Description	Q'ty						I	R
				(A)	(B)	(C)	(D)	(E)	(F)		
1	1	114310-12510	CLEANER ASSY, AIR	1	1						
2	2	114310-12020	BODY, AIR CLEANER	1	1						
3	2	114210-12520	COVER, AIR CLEANER	1	1						
4	2	114210-12560	NUT, WING	1	1						
6	2	114210-12580	STUD BOLT	1	1						
7	2	114210-12590	ELEMENT ASSY	1	1						
10	2	114210-12600	LOCKING KNOB	1	1						
11	1	114299-12300	NUT	3	3						
12	1	26106-060402	BOLT, M6X 40 PLATED	1	1						
13	1	26226-060352	STUD, M6X 35	3	3						
14	1	114310-13200	GASKET, MUFFLER	1	1						
15	1	114699-13551	MUFFLER ASSY	1	1						
16	2	114699-13720	BOLT, M6		10						
17	2	114699-13561	MUFFLER		1						
18	2	114699-13700	COVER A, MUFFLER		1						
19	2	114699-13710	COVER		2						
20	1	26106-080202	BOLT, M8X 20 PLATED	2	2						
21	1	26216-080182	STUD, M8X 18	2	2						
22	1	26366-080002	NUT, M8	2	2						
23	1	114699-13800	PIPE	1	1						
23-1	1	114320-13800	DEFLECTOR ASSY, EXH	1	1						N
(A)=EM06124) (B)=EM06257)											
24	1	114310-12210	GASKET, AIR CLEANER	1	1						
25	1	114674-13551	MUFFLER ASSY	1	1						
26	2	160260-01580	BOLT, FLANGE M6X6		10						
27	2	114674-13511	MUFFLER		1						
28	2	183382-13700	COVER		1						
29	2	114970-13710	COVER		1						
30	2	114973-13710	COVER		1						

Fig.4. CRANKSHAFT,PISTON & CAMSHAFT



(A)=L100V2AJ1R2AAS5
(B)=L100V1AJ1R1AAMK
(C)=

(D)=
(E)=
(F)=

No.	Lev.	Parts No.	Description	Q'ty						
				(A)	(B)	(C)	(D)	(E)	(F)	
1	1	714310-14580	CAMSHAFT ASSY	1	1					
6	1	114310-14200	TAPPET	2	2					
7	1	114210-14300	TAPPET ASSY,ROLLER	1	1					
12	1	114310-14400	ROD ASSY, PUSH	2	2					
13	1	714310-21740	CRANKSHAFT(D ASSY	1	1					
21	1	114699-21220	NUT	1	1					
22	1	114699-21550	WASHER	1	1					
23	1	22512-050140	KEY, 5X 14	1	1					
24	1	114310-22060	PISTON W/RING, D	1	1					
26	2	114320-22160	RING SET, PISTON	1	1					
32	1	114699-22300	PIN, PISTON D=23	1	1					
33	1	129792-22400	CIRCLIP, 23	2	2					
34	1	714310-23700	ROD ASSY, CONNECTING	1	1					
37	2	124060-23100	BEARING, PISTON PIN	1	1					
38	2	119810-23200	BOLT, CONNECTING ROD	2	2					
39	2	714650-23600	BEARING, CRANK PIN	1	1					
41	1	714310-28510	SHAFT ASSY, BALANCER	1	1					
46	1	24101-063040	BEARING, BALL 6304C3	2	2					
47	1	114310-22040	PISTON W/RING,0.25OS	1	1					1
49	2	114320-22140	RING, PISTON 0.25 OS	1	1					1
53	1	114310-22050	PISTON W/RING,0.50OS	1	1					2
55	2	114320-22150	RING, PISTON 0.50 OS	1	1					2
59	1	714650-23610	BEARING ASSY, 0.25	1	1					3
61	1	714650-23620	BEARING, 0.50 US	1	1					4
63	1	114699-21590	FLYWHEEL ASSY	1	1					
66	2	114662-21601	GEAR, RING	1	1					
67	1	160310-14550	WASHER	1	1					
68	1	22512-070360	KEY, 7X 36	1	1					
69	1	26106-080202	BOLT, M8X 20 PLATED	1	1					

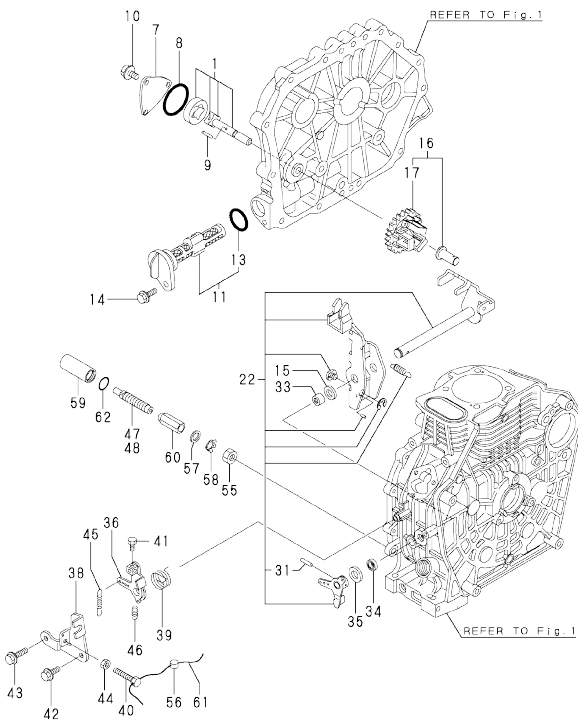
Remarks

- (1)OVER SIZED(O.S.=0.25)PART.
- (2)OVER SIZED(O.S.=0.50)PART.
- (3)UNDER SIZED(U.S.=0.25)PART.
- (4)UNDER SIZED(U.S.=0.50)PART.

Fig.5. LUB.OIL PUMP & GOVERNOR

(A)=L100V2AJ1R2AAS5
 (B)=L100V1AJ1R1AAMK
 (C)=

(D)=
 (E)=
 (F)=

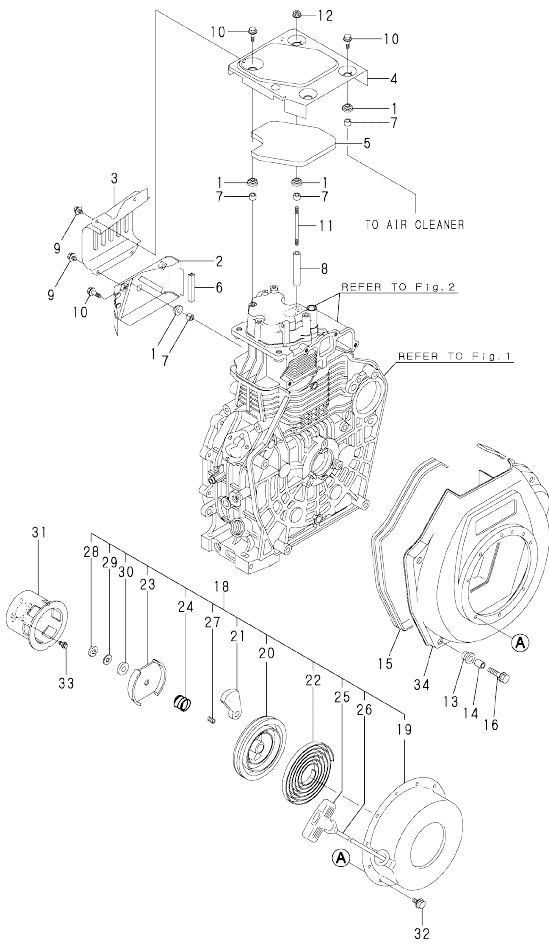


No.	Lev.	Parts No.	Description	Q'ty						
				(A)	(B)	(C)	(D)	(E)	(F)	
1	1	114650-32010	PUMP ASSY, OIL	1	1					
7	1	114299-32070	COVER	1	1					
8	1	114299-32570	O-RING	1	1					
9	1	22312-030160	PIN, PARALLEL M3X16	1	1					
10	1	26106-060122	BOLT, M6X 12 PLATED	3	3					
11	1	114299-35110	FILTER ASSY, OIL	1	1					
13	2	24341-000224	O-RING, 1AS22.4	1	1					
14	1	26106-060162	BOLT, M6X 16 PLATED	1	1					
15	1	114299-61190	WASHER	1	1					
16	1	714210-61700	GOVERNOR ASSY	1	1					
17	2	114210-61290	WEIGHT ASSY, GOVERNOR	1	1					
22	1	114311-61500	LEVER ASSY, GOVERNOR	1	1					
31	2	22322-030200	PIN, TAPER 3X20	1	1					
33	1	114770-61520	BEARING, NEEDLE	2	2					
34	1	114299-61600	SEAL, OIL	1	1					
35	1	114770-61610	WASHER, THRUST	1	1					
36	1	114252-66051	HANDLE, REGULATOR	1	1					
38	1	183360-66110	BRACKET	1	1					
39	1	114299-66250	SPRING, RETURN	1	1					
40	1	114299-66440	BOLT, ADJUSTING	1	1					
41	1	105225-66990	SCREW, M5X8.5	1	1					
42	1	26106-060142	BOLT, M6X 14 PLATED	1	1					
43	1	26106-060202	BOLT, M6X 20 PLATED	1	1					
44	1	26757-060002	NUT, LOCK M6	1	1					
45	1	114310-66010	SPRING, REGULATOR	1	1					
46	1	114299-66200	SPRING, RETURN	1	1					
47	1	114650-66750	LIMITER ASSY, FUEL	1						
48	1	114250-66550	LIMITER ASSY, FUEL		1					
55	1	26776-100002	NUT, LOCK M10	1	1					
56	1	135210-61090	LEAD	1	1					
57	1	114771-61800	WASHER, 10	1	1					
58	1	114771-61820	PLATE	1	1					
59	1	114771-61900	PROTECTOR	1	1					
60	1	114771-61931	NUT	1	1					
61	1	22451-060000	WIRE, 0.6	1	1					
62	1	24311-000125	O-RING, 1AP12.5	1	1					

Fig.6. COOLING & STARTING DEVICE

(A)=L100V2AJ1R2AAS5
 (B)=L100V1AJ1R1AAMK
 (C)=

(D)=
 (E)=
 (F)=

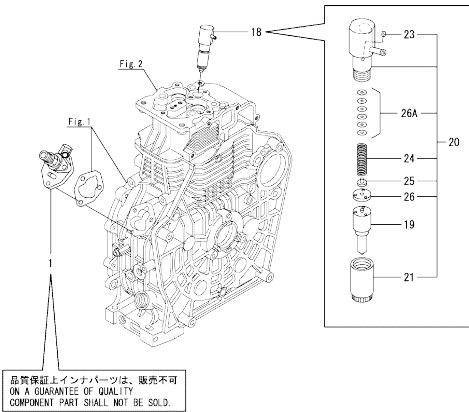


No.	Lev.	Parts No.	Description	Q'ty						I	R	
				(A)	(B)	(C)	(D)	(E)	(F)			
1	1	114299-45220	GROMMET		5	5						
2	1	114310-45260	COVER B, SIDE (13)		1	1						
3	1	114310-45270	COVER A, SIDE (13)		1	1						
4	1	114310-45300	COVER, TOP(BLACK)(13)		1	1						
5	1	114310-45310	DAMPER		1	1						
6	1	114399-45320	RUBBER, SEAL		1	1						
7	1	114399-45340	COLLAR		5	5						
8	1	114310-45350	SPACER, TOP COVER		1	1						
9	1	26106-060082	BOLT, M6X 8 PLATED		4	4						
10	1	26106-060202	BOLT, M6X 20 PLATED		4	4						
11	1	26226-060752	STUD, M6X 75		1	1						
12	1	26366-060002	NUT, M6		1	1						
13	1	114299-45300	RUBBER, CUSHION		4	4						
14	1	114299-45310	COLLAR		4	4						
15	1	114699-45330	SEAL, FAN CASE		1	1						
16	1	114299-45350	BOLT, FAN CASE		4	4						
18	1	114699-76251	RECOIL ASSY		1	1						
19	2	114699-76510	CASE, STARTER		1	1						
20	2	114699-76520	REEL		1	1						
21	2	114699-76531	RATCHET		2	2						
22	2	114699-76540	SPRING, SPIRAL		1	1						
23	2	114699-76551	GUIDE, RATCHET		1	1						
24	2	114699-76560	SPRING, FRICTION		1	1						
25	2	114699-76620	KNOB, STARTER		1	1						
26	2	114699-76630	ROPE, STARTER		1	1						
27	2	114699-76650	SPRING, RETURN		1	1						
28	2	114699-76660	CIRCLIP		1	1						
29	2	114699-76670	WASHER		1	1						
30	2	114699-76680	WASHER		1	1						
31	1	114699-76592	PULLEY, STARTER		1	1						
32	1	26106-060082	BOLT, M6X 8 PLATED		4	4						
33	1	26106-060122	BOLT, M6X 12 PLATED		3	3						
34	1	114310-45100	FAN CASE(SILVER)(17)		1	1						

Fig.7. FUEL INJECTION PUMP & FUEL INJECTION VALVE

(A)=L100V2AJ1R2AAS5
 (B)=L100V1AJ1R1AAMK
 (C)=

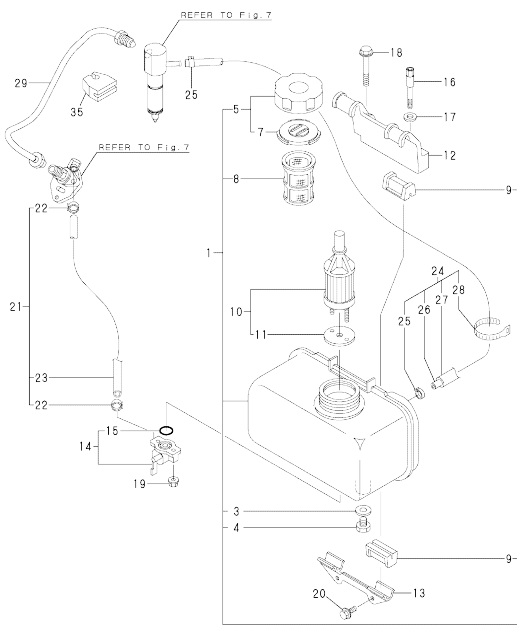
(D)=
 (E)=
 (F)=



No.	Lev.	Parts No.	Description	Q'ty						I	R
				(A)	(B)	(C)	(D)	(E)	(F)		
1	1	714310-51100	PUMP ASSY, F.INJECT.	1	1						1
18	1	714210-53100	FUEL INJECTOR	1	1						1
19	2	114210-53000	NOZZLE ASSY	1	1						
20	2	114210-53100	HOLDER ASSY,NOZZLE	1	1						
21	3	114210-53080	NUT,NOZZLE	1	1						
23	3	114210-53330	PIN	1	1						
24	3	114210-53120	SPRING,NOZZLE	1	1						
25	3	114210-53130	SEAT,SPRING	1	1						
26	3	114210-53140	SPACER ASSY,VALVE	1	1						
26A	3	114210-53400	SHIM SET	1	1						W
		(A=EXXXXX) (B=EXXXXX)									

Remarks
 (1) This parts is applied up to the following engine number.
 (A)=EM22145 (B)=EM22145
 Please refer to Fig.7A since above-mentioned engine number.
 Interchangeable by simultaneous replacement with Fig.7A No.(1/2),28,57,60,61,(62) when changing to the new model.

Fig.8. FUEL TANK & FUEL PIPE



(A)=L100V2AJ1R2AAS5
(B)=L100V1AJ1R1AAMK
(C)=

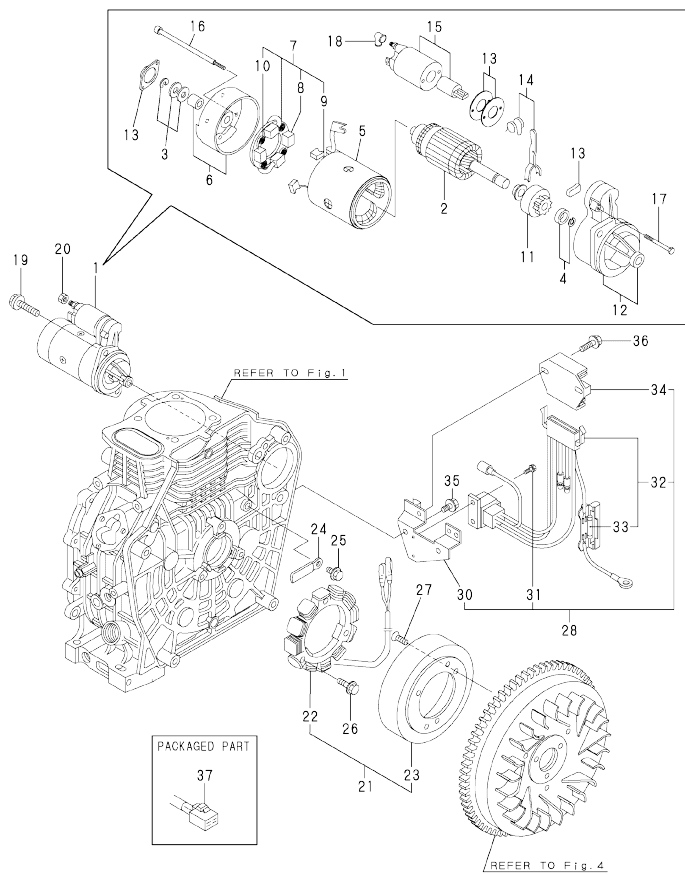
(D)=
(E)=
(F)=

No.	Lev.	Parts No.	Description	Q'ty						I	R
				(A)	(B)	(C)	(D)	(E)	(F)		
1	1	714310-55700	TANK ASSY, FUEL	1	1						
3	3	23414-080000	GASKET, 8X1.0	1	1						
4	3	105300-55080	PLUG, M8X1.0	1	1						
5	2	114288-55041	CAP ASSY, FUEL TANK	1	1						
7	3	114288-55081	VALVE	1	1						
8	2	114299-55100	ELEMENT, FUEL FILTER	1	1						
9	2	114250-55201	DAMPER, FUEL TANK	4	4						
10	1	114250-55121	FILTER ASSY, FUEL	1	1						
11	2	114250-55130	GASKET	1	1						
12	1	114310-55230	STAY, FUEL TANK B	1	1						
13	1	114210-55210	STAY, FUEL TANK A	1	1						
14	1	114250-55301	COCK ASSY, FUEL	1	1						
14-1	1	114240-55300	COCK ASSY, FUEL	1	1						N
		(A=*2010.01) (B=*2010.01)									
15	2	24341-000150	O-RING, 1AS15.0	1	1						
16	1	114210-55810	BOLT, LIFTING	1	1						
17	1	22117-080000	WASHER, 8	1	1						
18	1	26106-080452	BOLT, M8X 45 PLATED	1	1						
19	1	26366-060002	NUT, M6	2	2						
20	1	26106-060162	BOLT, M6X 16 PLATED	2	2						
21	1	114770-59030	PIPE ASSY, FUEL	1	1						
21-1	1	114780-59010	PIPE ASSY, FUEL L50	1	1						N
		(A=*2007.07) (B=*2007.07)									
22	2	114270-59010	CLAMP, HOSE 12	2	2						
22-1	2	23080-014000	CLAMP, 14	2	2						N
		(A=*2007.07) (B=*2007.07)									
23	2	114268-59061	PIPE, FUEL L=50	1	1						
23-1	2	114780-59060	PIPE, FUEL L=50	1	1						N
		(A=*2007.07) (B=*2007.07)									
24	1	114310-59300	PIPE ASSY, RETURN	1	1						1
24-1	1	114310-59301	PIPE ASSY, FO RETURN	1	1						N
		(A=*2019.03) (B=*2019.03)									
25	2	124722-59050	CLAMP, HOSE 9	2	2						
26	2	114310-59060	PIPE, FUEL RETURN	1	1						
26-1	2	114310-59061	PIPE, FO RETURN	1	1						N
		(A=*2019.03) (B=*2019.03)									
27	2	114310-59310	HOSE, PROTECTION	1	1						
28	2	121750-59890	BAND, NYLON	1	1						
29	1	114310-59800	PIPE ASSY, INJECTION	1	1						
35	1	114650-59850	SUPPORT, PIPE	1	1						

Remarks

(1) This parts is applied up to the following engine number.
(A)=EM22145 (B)=EM22145
Please refer to Fig.7A since above-mentioned engine number.
Interchangeable by simultaneous replacement with Fig.7A No.(1/2),28, 57,60,61,(62) when changing to the new model.

Fig.9. STARTING MOTOR & DYNAMO

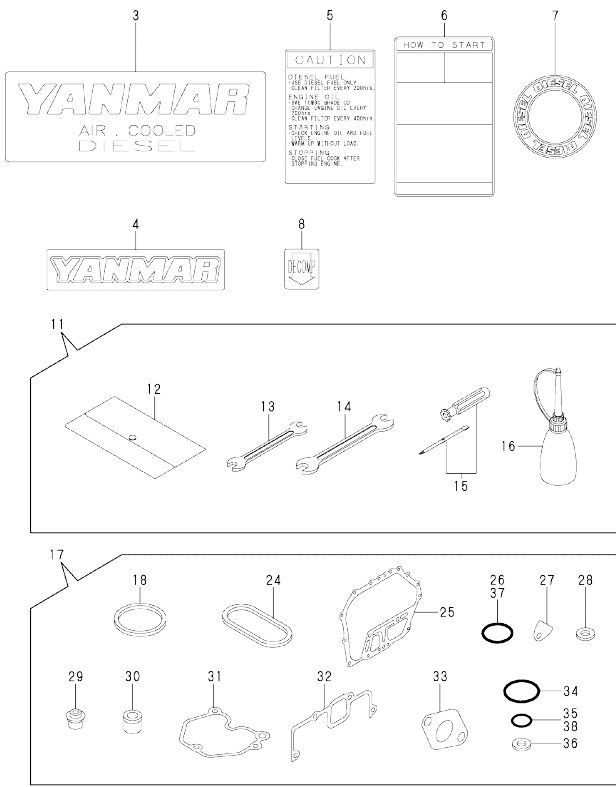


(A)=L100V2AJ1R2AAS5
(B)=L100V1AJ1R1AAMK
(C)=

(D)=
(E)=
(F)=

No.	Lev.	Parts No.	Description	Q'ty						
				(A)	(B)	(C)	(D)	(E)	(F)	
1	1	114362-77011	STARTER(HITACHI 12V	1	1					
2	2	114381-77110	ARMATURE	1	1					
3	2	X2114811000	WASHER KIT, THRUST	1	1					
4	2	X2114715500	STOPPER SET, PINION	1	1					
5	2	114381-77130	COIL ASSY, FIELD	1	1					
6	2	114381-77140	COVER, REAR	1	1					
7	2	114371-77160	HOLDER ASSY, BRUSH	1	1					
8	3	114371-79040	BRUSH (-)	2	2					
9	3	114371-79050	BRUSH (+)	1	1					
10	3	114371-79060	SPRING, BRUSH	4	4					
11	2	X211485016	PINION ASSY	1	1					
12	2	114381-77151	HOUSING ASSY, GEAR	1	1					
13	2	114371-77170	COVER KIT, DUST	1	1					
14	2	114371-77180	LEVER KIT, SHIFT	1	1					
15	2	124298-77020	SWITCH, MAGNETIC	1	1					
16	2	124195-77770	THROUGH BOLT	2	2					
17	2	114371-79070	BOLT M 6X 37	2	2					
18	2	X2114274200	COVER, TERMINAL	1	1					
19	1	26106-100302	BOLT, M10X 30 PLATED	2	2					
20	1	26716-080002	NUT, M8	1	1					
21	1	114399-78260	DYNAMO ASSY	1	1					
22	2	114399-78730	STATOR ASSY	1	1					
23	2	114399-78740	WHEEL, DYNAMO	1	1					
24	1	160710-78710	CLAMP, CORD	1	1					
25	1	26106-060122	BOLT, M6X 12 PLATED	1	1					
26	1	26106-060202	BOLT, M6X 20 PLATED	3	3					
27	1	26577-060142	SCREW M 6X 14	3	3					
28	1	114399-77550	REG. & HARNESS ASSY	1	1					
30	3	114399-77400	BRACKET, HARNESS	1	1					
31	3	26023-040102	SCREW, M4X10	2	2					
32	3	114399-77540	HARNESS, WIRE	1	1					
33	4	114399-78000	FUSE(20A	2	2					
34	2	114399-77710	REGULATOR	1	1					
35	1	26106-060122	BOLT, M6X 12 PLATED	2	2					
36	1	26106-060202	BOLT, M6X 20 PLATED	2	2					
37	1	114351-77520	COUPLER	1	1					

Fig.10. TOOL,LABEL & GASKET SET



(A)=L100V2AJ1R2AAS5
(B)=L100V1AJ1R1AAMK
(C)=

(D)=
(E)=
(F)=

No.	Lev.	Parts No.	Description	Q'ty						
				(A)	(B)	(C)	(D)	(E)	(F)	
3	1	114299-07100	LABEL, AIR COOLED	1	1					
4	1	114299-07110	LABEL, YANMAR	1	1					
5	1	114210-07120	LABEL, CAUTION	1	1					
6	1	114210-07130	LABEL HOW TO START-E	1	1					
7	1	114299-07160	LABEL, DIESEL	1	1					
8	1	114210-07200	LABEL, DECOMPRESSION	1	1					
11	1	114299-92590	BOX, TOOL	1	1					
12	2	114299-92600	BAG, TOOL	1	1					
13	2	114299-92710	WRENCH	1	1					
14	2	114299-92720	WRENCH	1	1					
15	2	114299-92730	DRIVER	1	1					
16	2	114299-92740	DIPSTICK	1	1					
17	1	714310-92600	GASKET SET	1	1					1
18	2	114695-01330	GASKET, HEAD	1	1					
24	2	114699-01380	O-RING	1	1					
25	2	114699-01410	GASKET, CRANK CASE	1	1					
26	2	114299-01950	O-RING, 18	2	2					
27	2	114250-01841	GASKET	1	1					
28	2	22190-160002	WASHER, SEAL 16	2	2					
29	2	114650-11340	SEAL, VALVE STEM	2	2					
30	2	114771-11461	GASKET, NOZZLE	1	1					
31	2	114310-11310	GASKET, BONNET	1	1					
32	2	114310-12210	GASKET, AIR CLEANER	1	1					
33	2	114310-13200	GASKET, MUFFLER	1	1					
34	2	114299-32570	O-RING	1	1					
35	2	24341-000100	O-RING, 1AS10.0	1	1					
36	2	23414-080000	GASKET, 8X1.0	1	1					
37	2	24341-000224	O-RING, 1AS22.4	1	1					
38	2	24341-000150	O-RING, 1AS15.0	1	1					

Remarks
(1)OPTIONAL

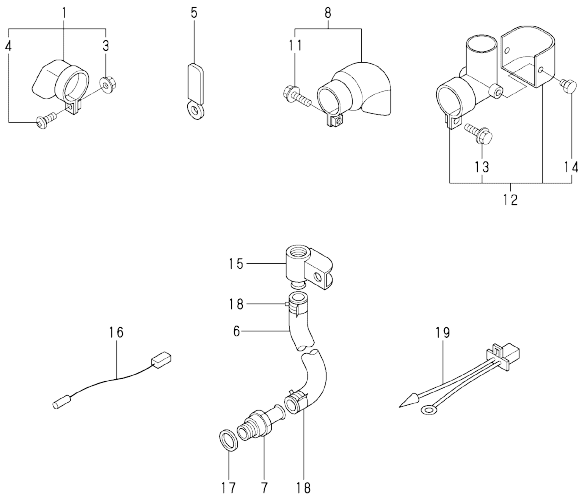
N:Old $\frac{REV}{100}$ New, Q:Old $\frac{REV}{100}$ New, R:Old $\frac{REV}{100}$ New, S:Old $\frac{REV}{100}$ New, W:Add, Z:Discontinued, F:Interchangeable by set, K:Q'ty Change
Copyright (C) YANMAR CO., LTD. All Rights Reserved.

OCD10-M87600 L100V SERIES
 Fig.11. ACCESSORIES

OCD10-M87600 Fig.11

(A)=L100V2AJ1R2AAS5
 (B)=L100V1AJ1R1AAMK
 (C)=

(D)=
 (E)=
 (F)=



No.	Lev.	Parts No.	Description	Q'ty					
				(A)	(B)	(C)	(D)	(E)	(F)
1	1	114985-13800	EXTENSION ASSY	1					
3	2	26367-060002	NUT, M6	1					
4	2	26554-060162	SCREW, M6X16	1					
5	1	160710-78710	CLAMP, CORD	1					
6	1	114984-01940	PIPE, DRAIN			1			
7	1	114985-08350	NIPPLE, DRAIN			1			
8	1	105198-13621	EXTENSION ASSY	1					
11	2	105098-13990	BOLT	1					
12	1	114985-13701	PIPE, SILENCER	1					
13	2	105098-13990	BOLT	1					
14	2	26113-060082	BOLT, M6X 8			2			
15	1	114352-39400	JOINT, DRAIN	1					
16	1	114985-78560	HARNESS, WIRE	1					
17	1	22190-160002	WASHER, SEAL 16	1					
18	1	23000-019000	CLAMP, 19	2					
19	1	105198-78570	HARNESS, WIRE	1	1				

Parts No. Index

Parts No.	Fig. No.	Ref. No.
104211-11370	2	26
105098-13990	11	11
		13
105198-13621	11	8
105198-78570	11	19
105225-66990	5	41
105300-55080	8	4
114210-03590	2	38
114210-07120	10	5
114210-07130	10	6
114210-07200	10	8
114210-11900	2	13
114210-12520	3	3
114210-12560	3	4
114210-12580	3	6
114210-12590	3	7
114210-12600	3	10
114210-14300	4	7
114210-53000	7	19
114210-53080	7	21
114210-53100	7	20
114210-53120	7	24
114210-53130	7	25
114210-53140	7	26
114210-53330	7	23
114210-53400	7	26 A
114210-55210	8	13
114210-55810	8	16
114210-61290	5	17
114240-11450	12	60
114240-11550	12	61
114240-55300	8	14 -1
114249-53000	12	29
114250-01841	1	7
	10	27
114250-53080	12	32
114250-53120	12	38
114250-53130	12	39
114250-53140	12	40
114250-53210	12	41
114250-53400	12	42
114250-55121	8	10
114250-55130	8	11
114250-55201	8	9
114250-55301	8	14
114250-66550	5	48
114252-66051	5	36
114268-59061	8	23
114270-59010	8	22
114288-55041	8	5

Parts No.	Fig. No.	Ref. No.
114288-55081	8	7
114295-11470	2	28
114299-01600	1	8
114299-01690	1	14
114299-01800	1	33
114299-01830	1	5
114299-01950	1	17
	10	26
114299-02030	1	19
114299-03640	2	41
114299-07100	10	3
114299-07110	10	4
114299-07160	10	7
114299-11240	2	19
		23
114299-12300	3	11
114299-32070	5	7
114299-32570	5	8
	10	34
114299-35110	5	11
114299-35150	1	12
114299-45220	6	1
114299-45300	6	13
114299-45310	6	14
114299-45350	6	16
114299-55100	8	8
114299-61190	5	15
114299-61600	5	34
114299-66200	5	46
114299-66250	5	39
114299-66440	5	40
114299-92590	10	11
114299-92600	10	12
114299-92710	10	13
114299-92720	10	14
114299-92730	10	15
114299-92740	10	16
114310-01020	1	1
114310-01200	2	1
114310-01210	2	2
114310-01450	1	45
114310-11020	2	3
114310-11100	2	7
114310-11110	2	8
114310-11120	2	9
114310-11180	2	10
114310-11250	2	14
114310-11260	2	15
114310-11280	2	16
114310-11310	2	34

Parts No.	Fig. No.	Ref. No.
114310-11310	10	31
114310-11650	2	17
114310-11660	2	21
114310-11930	2	11
114310-11950	2	36
114310-12020	3	2
114310-12210	3	24
	10	32
114310-12510	3	1
114310-13200	3	14
	10	33
114310-14200	4	6
114310-14400	4	12
114310-22040	4	47
114310-22050	4	53
114310-22060	4	24
114310-45100	6	34
114310-45260	6	2
114310-45270	6	3
114310-45300	6	4
114310-45310	6	5
114310-45350	6	8
114310-55230	8	12
114310-59060	8	26
	12	56
114310-59061	8	26 -1
	12	56 -1
114310-59300	8	24
114310-59301	8	24 -1
114310-59310	8	27
	12	58
114310-59800	8	29
114310-66010	5	45
114311-61500	5	22
114320-13800	3	23 -1
114320-22140	4	49
114320-22150	4	55
114320-22160	4	26
114339-53100	12	33
114339-59300	12	54
114339-59301	12	54 -1
114341-66600	12	62
114351-77520	9	37
114352-39400	11	15
114362-77011	9	1
114371-77160	9	7
114371-77170	9	13
114371-77180	9	14
114371-79040	9	8
114371-79050	9	9

Parts No.	Fig. No.	Ref. No.
114371-79060	9	10
114371-79070	9	17
114381-77110	9	2
114381-77130	9	5
114381-77140	9	6
114381-77151	9	12
114399-45320	6	6
114399-45340	6	7
114399-77400	9	30
114399-77540	9	32
114399-77550	9	28
114399-77710	9	34
114399-78000	9	33
114399-78260	9	21
114399-78730	9	22
114399-78740	9	23
114650-02100	1	48
114650-02150	1	20
114650-02200	1	25
114650-02210	1	26
114650-11340	2	25
	10	29
114650-32010	5	1
114650-59850	8	35
114650-66750	5	47
114662-21601	4	66
114674-13511	3	27
114674-13551	3	25
114695-01330	1	27
	10	18
114699-01380	1	6
	10	24
114699-01410	1	44
	10	25
114699-01760	1	15
114699-11600	2	29
114699-13551	3	15
114699-13561	3	17
114699-13700	3	18
114699-13710	3	19
114699-13720	3	16
114699-13800	3	23
114699-21220	4	21
114699-21550	4	22
114699-21590	4	63
114699-22300	4	32
114699-45330	6	15
114699-76251	6	18
114699-76510	6	19
114699-76520	6	20

Parts No. Index

Parts No.	Fig. No.	Ref. No.
114699-76531	6	21
114699-76540	6	22
114699-76551	6	23
114699-76560	6	24
114699-76592	6	31
114699-76620	6	25
114699-76630	6	26
114699-76650	6	27
114699-76660	6	28
114699-76670	6	29
114699-76680	6	30
114770-59030	8	21
114770-61520	5	33
114770-61610	5	35
114771-11461	2	27
	10	30
114771-61800	5	57
114771-61820	5	58
114771-61900	5	59
114771-61931	5	60
114780-59010	8	21 -1
114780-59060	8	23 -1
114970-13710	3	29
114973-13710	3	30
114984-01940	11	6
114985-08350	11	7
114985-13701	11	12
114985-13800	11	1
114985-78560	11	16
119810-23200	4	38
121252-39450	1	50
121750-59890	8	28
	12	59
124060-23100	4	37
124066-59100	12	57
124195-77770	9	16
124298-77020	9	15
124722-59050	8	25
	12	55
129792-22400	4	33
135210-61090	5	56
160260-01580	3	26
160310-14550	4	67
160710-78710	9	24
	11	5
183360-66110	5	38
183382-13700	3	28
22117-080000	8	17
22190-160002	1	18
	10	28

Parts No.	Fig. No.	Ref. No.
22190-160002	11	17
22312-030160	2	43
	5	9
22312-040080	1	51
22322-030200	5	31
22351-025005	12	37
22351-040008	2	30
22451-060000	5	61
22512-050140	4	23
22512-070360	4	68
23000-019000	11	18
23080-014000	8	22 -1
23414-080000	8	3
	10	36
23875-020000	1	52
24101-063040	4	46
24162-152220	1	21
24311-000125	5	62
24341-000100	10	35
24341-000150	8	15
	10	38
24341-000224	5	13
	10	37
24423-355008	1	22
	23	
26023-040102	9	31
26106-060082	6	9
	32	
26106-060122	5	10
	6	33
	9	25
	35	
26106-060142	5	42
26106-060162	5	14
	8	20
26106-060202	5	43
	6	10
	9	26
	36	
26106-060402	3	12
26106-060652	2	35
26106-080122	1	24
26106-080202	3	20
	4	69
26106-080352	1	13
26106-080452	8	18
26106-080502	2	31
26106-100302	9	19
26113-060082	11	14
26216-080182	3	21

Parts No.	Fig. No.	Ref. No.
26226-060182	1	9
26226-060222	1	10
26226-060352	3	13
26226-060552	2	32
26226-060752	6	11
26366-060002	1	11
	2	33
	6	12
	8	19
26366-080002	3	22
26367-060002	11	3
26554-060162	11	4
26577-060142	9	27
26716-080002	9	20
26757-060002	5	44
26776-100002	5	55
26856-060002	2	20
	24	
714210-53100	7	18
714210-61700	5	16
714249-53100	12	28
714310-14580	4	1
714310-21740	4	13
714310-23700	4	34
714310-28510	4	41
714310-51100	7	1
714310-55700	8	1
714310-92600	10	17
714349-51440	12	1
714349-51450	12	2
714650-23600	4	39
714650-23610	4	59
714650-23620	4	61
X2114274200	9	18
X2114715500	9	4
X2114811000	9	3
X211485016	9	11

Parts No.	Fig. No.	Ref. No.
-----------	----------	----------