

0CC50-M01810EN

P R E F A C E

This parts catalog is the 1st edition of L100V5EA1C1CAID for ITALIAN DEALER.

Published : May, 2019

Contents

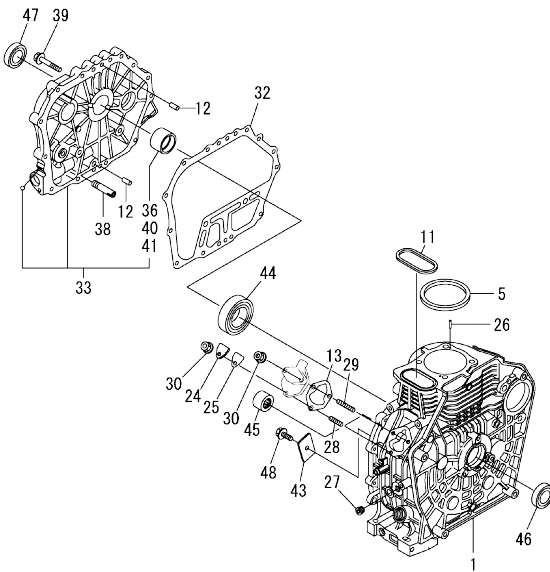
0CC50-M01810

Fig. No.	Fig. Name	Fig. No.	Fig. Name
ENGINE			
1.	CYLINDER BLOCK		
2.	DRAIN PLUG		
3.	LABEL		
4.	CYLINDER HEAD & BONNET		
5.	AIR CLEANER		
6.	EXHAUST MUFFLER		
7.	CAMSHAFT		
8.	CRANKSHAFT		
9.	FLYWHEEL		
10.	PISTON & CONNECTING ROD		
11.	BALANCER SHAFT		
12.	LUB. OIL PUMP & GOVERNOR		
13.	SWITCH(OIL PRESSURE)		
14.	COVER		
15.	COOLING FAN CASE		
16.	FUEL INJECTION PUMP & FUEL INJECTION VALVE		
17.	FUEL TANK & FUEL PIPE		
18.	CONTROL DEVICE		
19.	RECOIL STARTER		
20.	STARTER MOTOR		
21.	ELECTRIC PARTS		
22.	KEY SWITCH		
23.	DYNAMO		
24.	GASKET SET & TOOL		

Fig.1. CYLINDER BLOCK

(A)=L100V5EA1C1CAID
(B)=
(C)=

(D)=
(E)=
(F)=

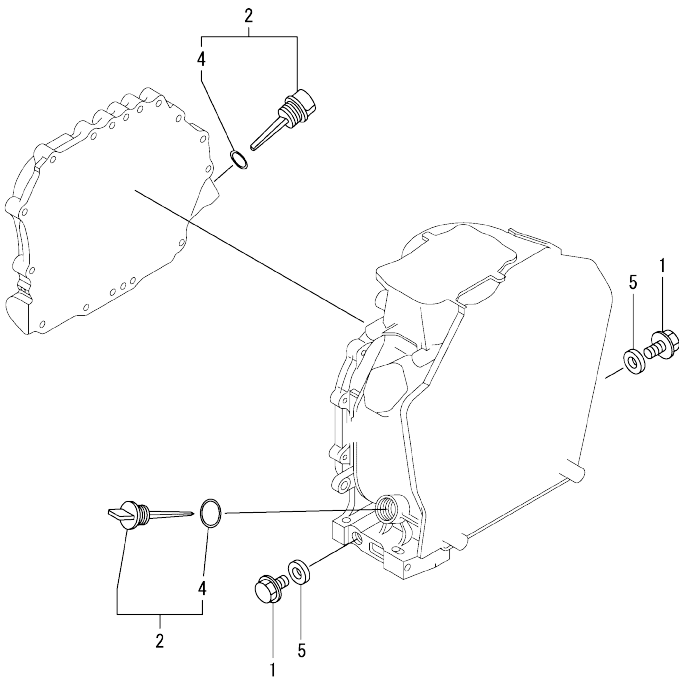


No.	Lev.	Parts No.	Description	Q'ty						I	R
				(A)	(B)	(C)	(D)	(E)	(F)		
1	1	114310-01020	BLOCK ASSY, CYLINDER	1							
5	1	114695-01331	GASKET, HEAD	1							
11	1	114699-01380	O-RING, TAPPET	1							
12	1	114299-01600	PIN, PARALLEL 8X12	2							
13	1	114299-01800	SHIM SET, PUMP	1							
24	1	114299-01830	COVER, PUMP	1							
25	1	114250-01841	GASKET, COVER	1							
26	1	22312-040080	PIN, PARALLEL M4X 8	2							
27	1	23875-020000	PLUG, R02	1							
28	1	26226-060182	STUD, M6X 18	1							
29	1	26226-060222	STUD, M6X 22	2							
30	1	26366-060002	NUT, M6	3							
32	1	114699-01410	GASKET, CASE COVER	1							
33	1	114311-01450	COVER, CRANKCASE D	1							
36	2	114940-02110	BEARING, MAIN	1							1
38	1	114299-35150	PIPE, OIL INLET	1							
39	1	26106-080352	BOLT, M8X 35 PLATED	16							
40	1	114940-02200	BEARING, MAIN 0.25OS	1							2
41	1	114940-02210	BEARING, MAIN 0.50OS	1							3
43	1	114299-02030	RETAINER, BEARING	1							
44	1	114650-02150	BEARING, HR6308G3C3	1							
45	1	24162-152220	BEARING, 152220	1							
46	1	24423-355008	SEAL, OIL TC355008	1							
47	1	24423-355008	SEAL, OIL TC355008	1							
48	1	26106-080122	BOLT, M8X 12 PLATED	1							

Remarks

- (1) Spare parts.
- (2) Over-sized (O.S.=0.25) parts.
- (3) Over-sized (O.S.=0.50) parts.

OCC50-M01810 ENGINE
 Fig.2. DRAIN PLUG



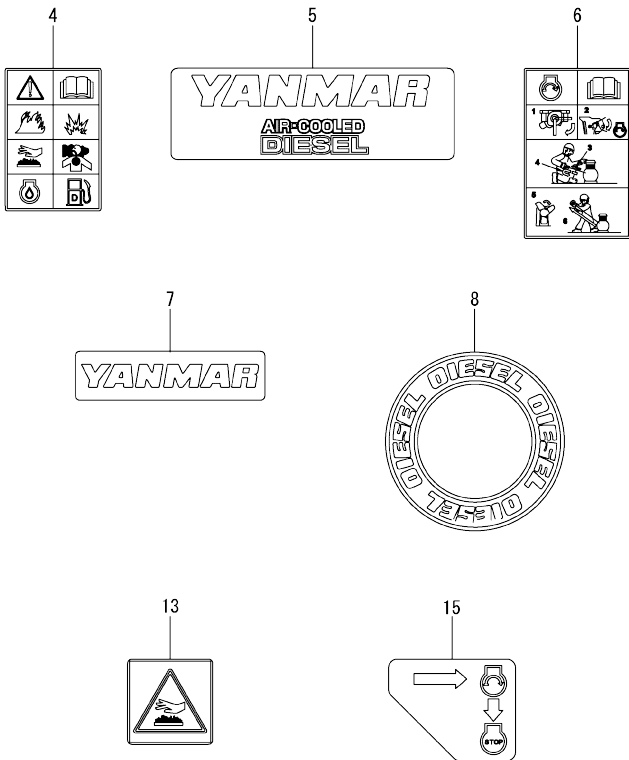
OCC50-M01810 Fig.2

(A)=L100V5EA1C1CAID
 (B)=
 (C)=

(D)=
 (E)=
 (F)=

No.	Lev.	Parts No.	Description	Q'ty					
				(A)	(B)	(C)	(D)	(E)	(F)
1	1	114299-01690	PLUG, DRAIN 16	2					
2	1	114699-01760	CAP ASSY, OIL SUPPLY	2					
4	2	114299-01950	O-RING, 18	2					
5	1	22190-160002	WASHER, SEAL 16	2					

Fig.3. LABEL

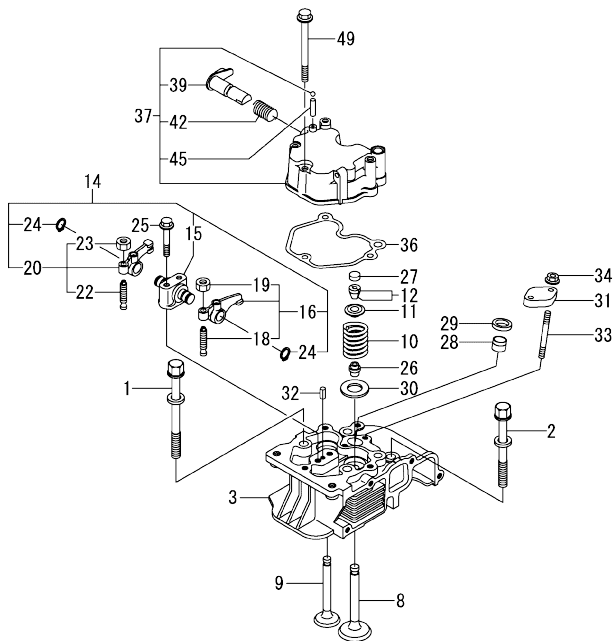


(A)=L100V5EA1C1CAID
(B)=
(C)=

(D)=
(E)=
(F)=

No.	Lev.	Parts No.	Description	Q'ty					
				(A)	(B)	(C)	(D)	(E)	(F)
4	1	114220-07100	LABEL, CAUTION	1					
5	1	114299-07101	LABEL, YANMAR MARK A	1					
6	1	114220-07110	LABEL, HOW TO START	1					
7	1	114299-07111	LABEL, YANMAR MARK B	1					
8	1	114299-07160	LABEL, DIESEL	1					
13	1	114220-07130	LABEL, HOT SURFACE	1					
15	1	114220-07151	LABEL, CONSTANT SPEE	1					

Fig.4. CYLINDER HEAD & BONNET



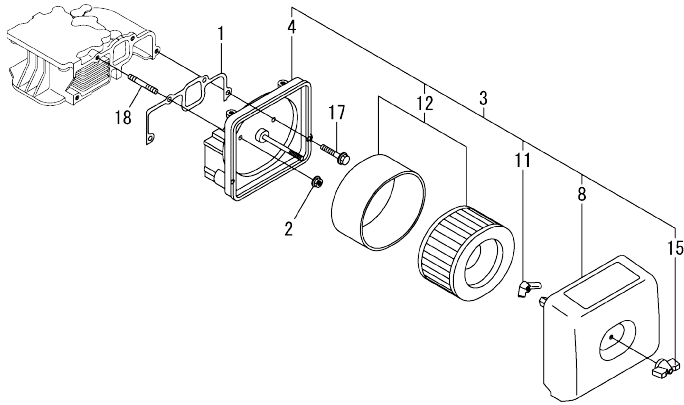
(A)=L100V5EA1C1CAID
(B)=
(C)=

(D)=
(E)=
(F)=

No.	Lev.	Parts No.	Description	Q'ty						I	R
				(A)	(B)	(C)	(D)	(E)	(F)		
1	1	114310-01200	BOLT, HEAD A	2							
2	1	114310-01210	BOLT, HEAD B	2							
3	1	114310-11050	HEAD ASSY, CYLINDER	1							
8	1	11431C-11100	VALVE, INTAKE	1							
9	1	11431C-11110	VALVE, EXHAUST	1							
10	1	114310-11120	SPRING, VALVE	2							
11	1	114310-11180	RETAINER, SPRING	2							
12	1	114310-11930	COTTER ASSY	2							
14	1	11431C-11250	SUPPORT ASSY, ARM	1							
15	2	11431C-11260	SUPPORT, ROCKER ARM	1							
16	2	11431C-11650	ARM, ROCKER	1							
18	3	114250-11240	SCREW, VALVE ADJUST	1							
19	3	26856-060002	NUT, M6	1							
20	2	11431C-11660	ARM, ROCKER	1							
22	3	114250-11240	SCREW, VALVE ADJUST	1							
23	3	26856-060002	NUT, M6	1							
24	2	22242-000150	RING, 15	2							
25	1	114310-11290	BOLT, SUPPORT	2							
26	1	114650-11341	SEAL, VALVE STEM	2							
27	1	104211-11370	CAP, VALVE	2							
28	1	114240-11450	PROTECTOR, NOZZLE	1							
29	1	114240-11550	SEAT, NOZZLE	1							
30	1	114699-11600	WASHER	2							
31	1	114210-11901	RETAINER, VALVE	1							
32	1	22351-040008	PIN, SPRING 4.0X 8	1							
33	1	26226-060552	STUD, M6X 55	2							
34	1	26366-060002	NUT, M6	2							
36	1	114310-11310	GASKET, BONNET	1							
37	1	114310-11950	BONNET ASSY, HEAD	1							
39	2	114210-03590	DECOMPRESSION ASSY	1							
42	2	114299-03640	SPRING, DECOMPRESSION	1							
45	2	22312-030160	PIN, PARALLEL M3X16	1							
49	1	26106-060652	BOLT, M6X 65 PLATED	3							

OCC50-M01810 ENGINE
 Fig.5. AIR CLEANER

OCC50-M01810 Fig.5

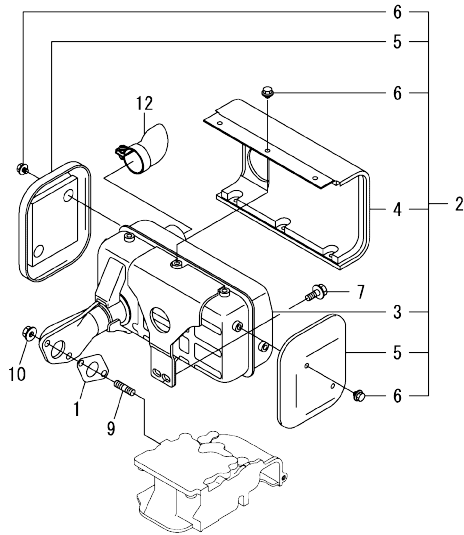


(A)=L100V5EA1C1CAID
 (B)=
 (C)=

(D)=
 (E)=
 (F)=

No.	Lev.	Parts No.	Description	Q'ty					
				(A)	(B)	(C)	(D)	(E)	(F)
1	1	114310-12210	GASKET, AIR CLEANER	1					
2	1	114299-12300	NUT	3					
3	1	114320-12550	CLEANER ASSY, AIR	1					
4	2	114310-12010	BODY ASSY, CLEANER	1					
8	2	114220-12500	COVER ASSY, CLEANER	1					
11	2	114210-12560	NUT, WING	1					
12	2	114210-12590	ELEMENT ASSY	1					
15	2	114210-12600	KNOB	1					
17	1	26106-060402	BOLT, M6X 40 PLATED	1					
18	1	26226-060352	STUD, M6X 35	3					

Fig.6. EXHAUST MUFFLER



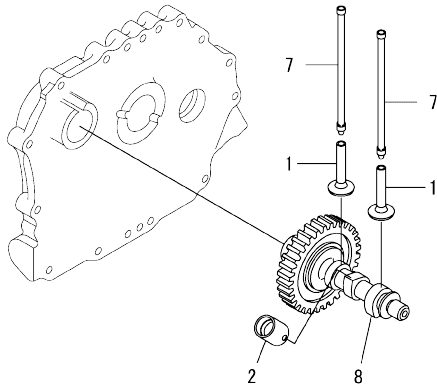
(A)=L100V5EA1C1CAID
(B)=
(C)=

(D)=
(E)=
(F)=

No.	Lev.	Parts No.	Description	Q'ty						I	R
				(A)	(B)	(C)	(D)	(E)	(F)		
1	1	114310-13200	GASKET, MUFFLER	1							
2	1	11431C-13550	MUFFLER ASSY	1							
3	2	11431C-13560	MUFFLER	1							
4	2	11431C-13700	COVER, MUFFLER A	1							
5	2	11431C-13710	COVER	2							
6	2	11431C-13720	BOLT, M6	10							
7	1	26106-080202	BOLT, M8X 20 PLATED	2							
9	1	26216-080182	STUD, M8X 18	2							
10	1	26306-080002	NUT, M8	2							
12	1	114320-13800	DEFLECTOR ASSY, EXH	1							

OCC50-M01810 ENGINE
 Fig.7. CAMSHAFT

OCC50-M01810 Fig.7



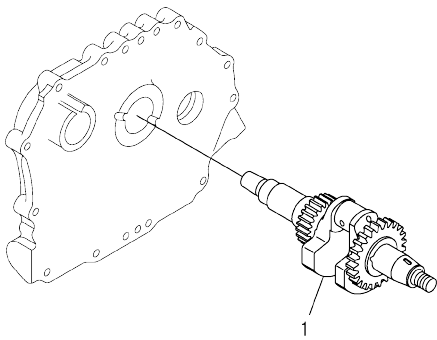
(A)=L100V5EA1C1CAID
 (B)=
 (C)=

(D)=
 (E)=
 (F)=

No.	Lev.	Parts No.	Description	Q'ty					
				(A)	(B)	(C)	(D)	(E)	(F)
1	1	114310-14200	TAPPET	2					
2	1	114210-14300	TAPPET ASSY, ROLLER	1					
7	1	114310-14400	ROD ASSY, PUSH	2					
8	1	114310-14580	CAMSHAFT ASSY	1					

OCC50-M01810 ENGINE

Fig.8. CRANKSHAFT



OCC50-M01810 Fig.8

(A)=L100V5EA1C1CAID
(B)=
(C)=

(D)=
(E)=
(F)=

No.	Lev.	Parts No.	Description	Q'ty						I	R
				(A)	(B)	(C)	(D)	(E)	(F)		
1	1	11431C-21840	CRANKSHAFT ASSY,E-DG	1							

OCC50-M01810 ENGINE
 Fig.9. FLYWHEEL

OCC50-M01810 Fig.9

(A)=L100V5EA1C1CAID
 (B)=
 (C)=

(D)=
 (E)=
 (F)=

No.	Lev.	Parts No.	Description	Q'ty					
				(A)	(B)	(C)	(D)	(E)	(F)
1	1	114699-21220	NUT, WHEEL	1					
2	1	114699-21550	WASHER, FLYWHEEL	1					
3	1	114699-21600	FLYWHEEL ASSY, DE	1					
6	2	114699-21630	GEAR, RING	1					
7	1	22512-050140	KEY, 5X 14	1					

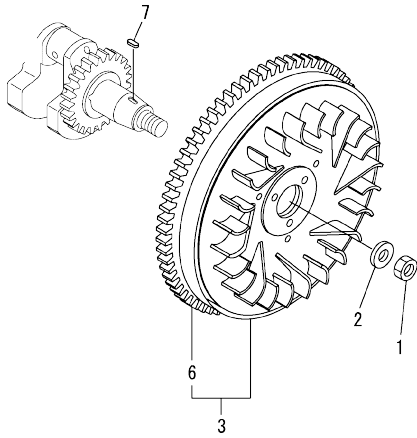
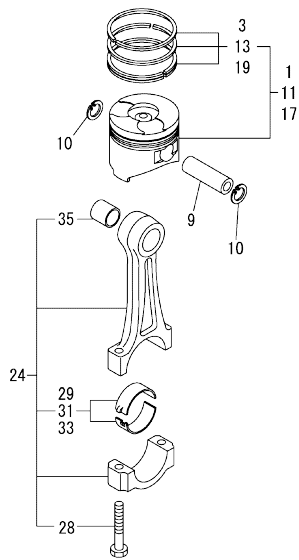


Fig.10. PISTON & CONNECTING ROD



(A)=L100V5EA1C1CAID
(B)=
(C)=

(D)=
(E)=
(F)=

No.	Lev.	Parts No.	Description	Q'ty						I	R
				(A)	(B)	(C)	(D)	(E)	(F)		
1	1	714310-22720	PISTON ASSY, D	1							
3	2	714310-22500	RING SET, PISTON	1							
9	1	114699-22300	PIN, PISTON D=23	1							
10	1	114310-22500	RING, SEEGER J23	2							
11	1	714310-22620	PISTON ASSY, 0.25 OS	1							1
13	2	714310-22540	RING SET, PISTON .25	1							1
17	1	714310-22580	PISTON ASSY, 0.50 OS	1							2
19	2	714310-22550	RING SET, PISTON .50	1							2
24	1	11432C-23700	ROD ASSY, CONNECTING	1							2
28	3	114310-23200	BOLT, CONNECTING ROD	2							
29	2	114940-23600	METAL ASSY, CRANK PIN	1							
31	1	114940-23610	METAL, CRANK PIN 0.25	1							1
33	1	114940-23620	METAL, CRANK PIN 0.50	1							2
35	1	114940-23910	BUSH, PISTON PINN	1							3

Remarks
(1)Over-sized(O.S.=0.25) parts.
(2)Over-sized(O.S.=0.50) parts.
(3)Spare parts.

OCC50-M01810 ENGINE

Fig.11. BALANCER SHAFT

OCC50-M01810 Fig.11

(A)=L100V5EA1C1CAID
(B)=
(C)=

(D)=
(E)=
(F)=

No.	Lev.	Parts No.	Description	Qty						I	R
				(A)	(B)	(C)	(D)	(E)	(F)		
1	1	714310-28510	SHAFT ASSY, BALANCER	1							
6	1	24101-063040	BEARING, BALL 6304C3	2							

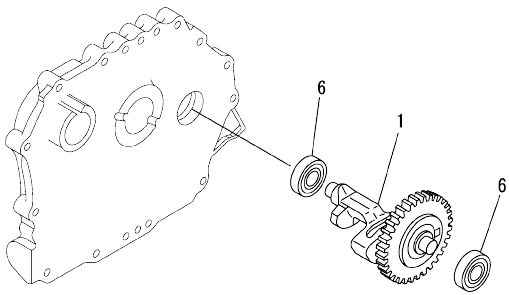
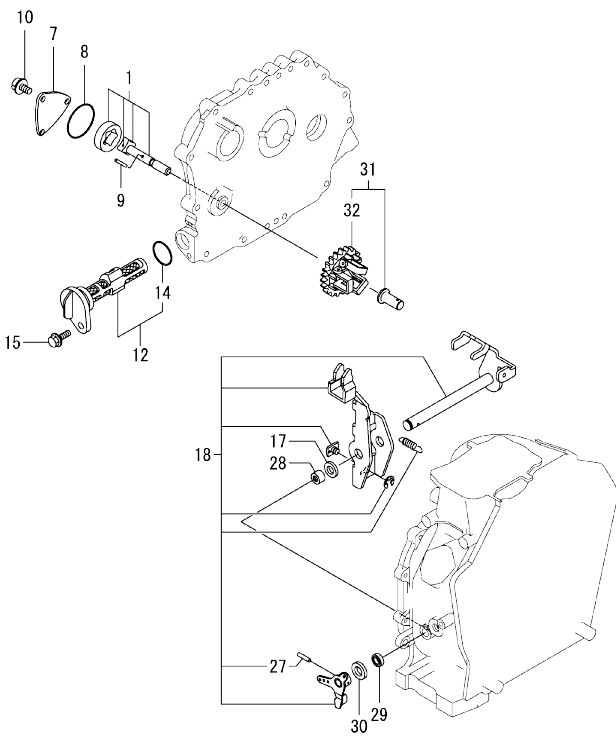


Fig.12. LUB. OIL PUMP & GOVERNOR



(A)=L100V5EA1C1CAID
(B)=
(C)=

(D)=
(E)=
(F)=

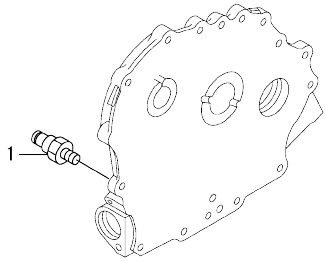
No.	Lev.	Parts No.	Description	Q'ty						I	R
				(A)	(B)	(C)	(D)	(E)	(F)		
1	1	114650-32010	PUMP ASSY, OIL	1							
7	1	114299-32070	COVER, OIL PUMP	1							
8	1	114299-32570	O-RING, PUMP COVER	1							
9	1	22312-030160	PIN, PARALLEL M3X16	1							
10	1	26106-060122	BOLT, M6X 12 PLATED	3							
12	1	114299-35110	FILTER ASSY, OIL	1							
14	2	24341-000224	O-RING, 1AS22.4	1							
15	1	26106-060162	BOLT, M6X 16 PLATED	1							
17	1	114299-61190	WASHER, GOVERNOR	1							
18	1	114311-61500	LEVER ASSY, GOVERNOR	1							1
27	2	22322-030200	PIN, TAPER 3X20	1							
28	1	114770-61520	BEARING, NEEDLE	2							
29	1	114299-61600	SEAL, OIL	1							
30	1	114770-61610	WASHER, THRUST	1							
31	1	714210-61701	GOVERNOR ASSY	1							
32	2	114210-61290	WEIGHT ASSY, GOVERNOR	1							

Remarks

(1) On a guarantee of quality, component parts shall not be sold.

OCC50-M01810 ENGINE

Fig.13. SWITCH(OIL PRESSURE)



OCC50-M01810 Fig.13

(A)=L100V5EA1C1CAID
(B)=
(C)=

(D)=
(E)=
(F)=

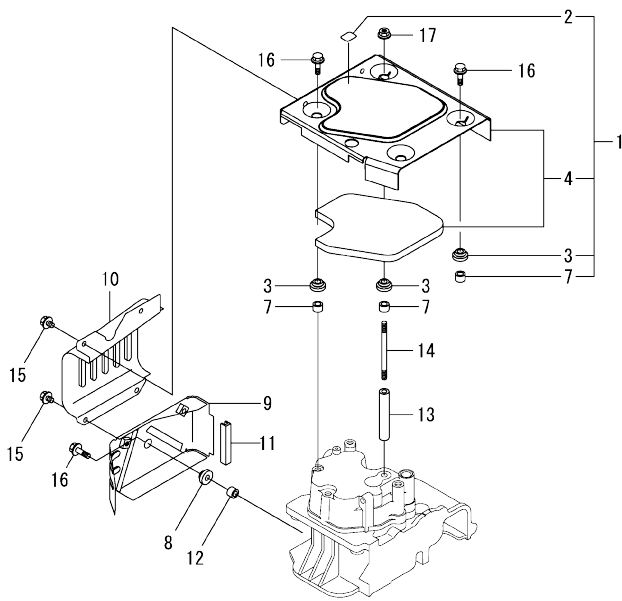
No.	Lev.	Parts No.	Description	Q'ty						I	R
				(A)	(B)	(C)	(D)	(E)	(F)		
1	1	183250-39450	SWITCH, PRESSURE	1							

OCC50-M01810 ENGINE
 Fig.14. COVER

OCC50-M01810 Fig.14

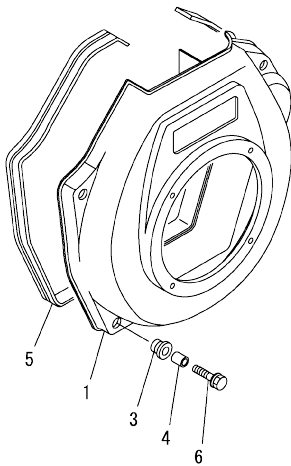
(A)=L100V5EA1C1CAID
 (B)=
 (C)=

(D)=
 (E)=
 (F)=



No.	Lev.	Parts No.	Description	Q'ty					
				(A)	(B)	(C)	(D)	(E)	(F)
1	1	114320-45210	COVER ASSY, TOP	1					
2	2	114220-07120	LABEL, DECOMPRESSION	1					
3	2	114299-45220	GROMMET, TANK	4					
4	2	114310-45320	COVER, TOP	1					
7	2	114399-45340	COLLAR	4					
8	1	114299-45220	GROMMET, TANK	1					
9	1	114310-45260	COVER, SIDE B	1					
10	1	114310-45270	COVER, SIDE A	1					
11	1	114399-45320	RUBBER, SEAL	1					
12	1	114399-45340	COLLAR	1					
13	1	114310-45350	SPACER, TOP COVER	1					
14	1	114310-45360	STUD, M6X77	1					
15	1	26106-060082	BOLT, M6X 8 PLATED	4					
16	1	26106-060202	BOLT, M6X 20 PLATED	4					
17	1	26366-060002	NUT, M6	1					

Fig.15. COOLING FAN CASE



(A)=L100V5EA1C1CAID
(B)=
(C)=

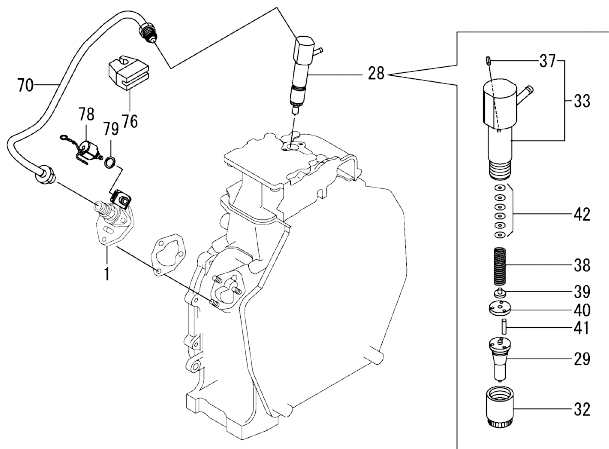
(D)=
(E)=
(F)=

No.	Lev.	Parts No.	Description	Qty						I	R	
				(A)	(B)	(C)	(D)	(E)	(F)			
1	1	114310-45150	CASE, COOLING FAN	1								
3	1	114299-45301	RUBBER, FAN CASE	4								
4	1	114299-45310	COLLAR, FAN CASE	4								
5	1	114699-45331	SEAL, FAN CASE	1								
6	1	114299-45350	BOLT, FAN CASE	4								

Fig.16. FUEL INJECTION PUMP & FUEL INJECTION VALVE

(A)=L100V5EA1C1CAID
(B)=
(C)=

(D)=
(E)=
(F)=

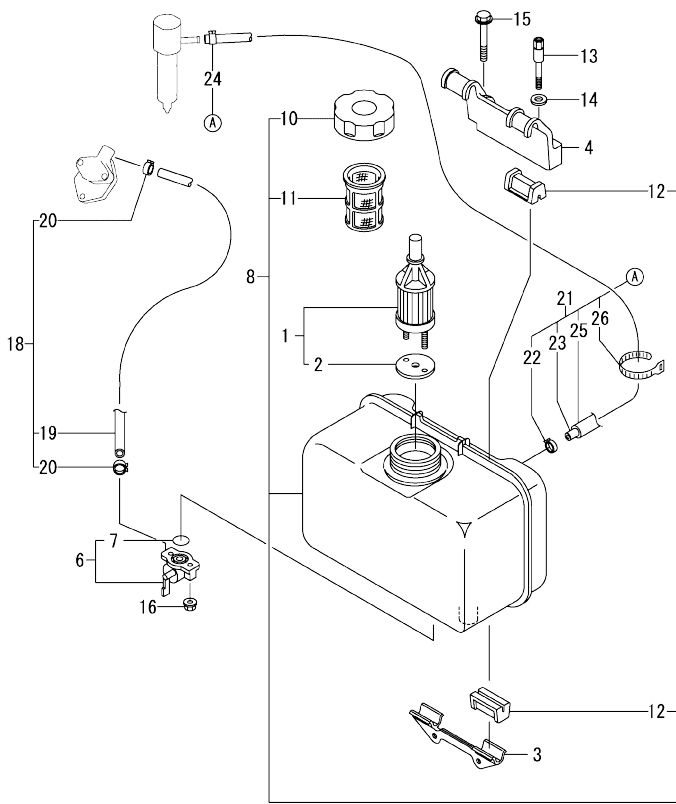


No.	Lev.	Parts No.	Description	Q'ty						I	R
				(A)	(B)	(C)	(D)	(E)	(F)		
1	1	714349-51610	PUMP ASSY, INJECTION	1							1
28	1	714349-53100	VALVE ASSY, INJECTION	1							
29	2	114349-53000	VALVE ASSY, INJECTION	1							
32	2	114250-53080	NUT, NOZZLE	1							
33	2	114339-53100	HOLDER ASSY, NOZZLE	1							
37	3	22351-025005	PIN, SPRING 2.5X 6	1							
38	2	114250-53120	SPRING, NOZZLE	1							
39	2	114250-53130	SEAT, SPRING	1							
40	2	114250-53140	SPACER, VALVE STOP	1							
41	2	114250-53210	PIN, POSITIONING	2							
42	2	119803-53400	SHIM SET	1							
70	1	114310-59800	PIPE ASSY, INJECTION	1							
76	1	114699-59850	SUPPORT, PIPE	1							
78	1	114110-76910	VALVE ASSY, FUEL CUT	1							
79	1	114299-83020	GASKET, 10X1.2	1							

Remarks

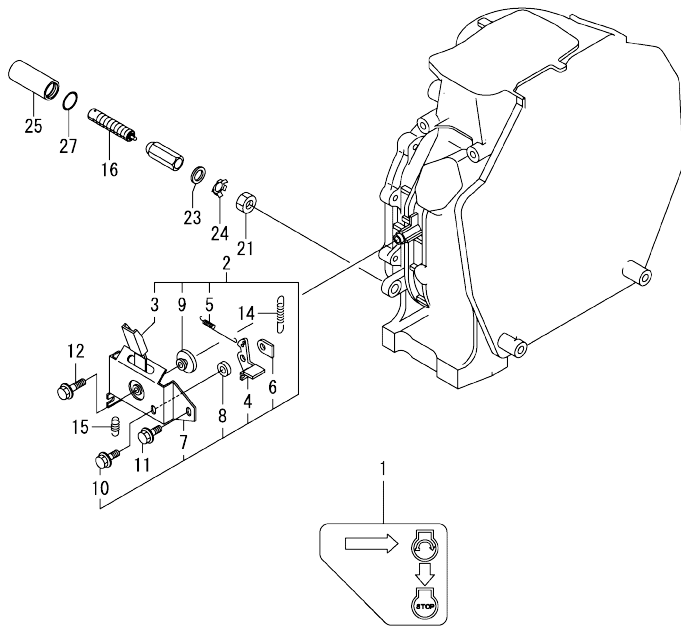
(1) On a guarantee of quality, component parts shall not be sold.

Fig.17. FUEL TANK & FUEL PIPE



No.	Lev.	Parts No.	Description	Q'ty						I	R
				(A)	(B)	(C)	(D)	(E)	(F)		
1	1	114250-55122	FILTER ASSY,FUEL OIL	1							
2	2	114250-55130	GASKET	1							
3	1	114210-55220	STAY, FUEL TANK A	1							
4	1	114310-55230	STAY, FUEL TANK B	1							
6	1	114240-55300	COCK ASSY, FUEL	1							
7	2	24311-000125	O-RING, 1AP12.5	1							
8	1	11432C-55710	TANK ASSY, FUEL OIL	1							
10	2	114299-55040	CAP ASSY, FUEL TANK	1							
11	2	114299-55110	STRAINER, FUEL TANK	1							
12	2	114740-55200	DAMPER, FUEL TANK	4							
13	1	114210-55810	BOLT, LIFTING	1							
14	1	22117-080000	WASHER, 8	1							
15	1	26106-080452	BOLT, M8X 45 PLATED	1							
16	1	26366-060002	NUT, M6	2							
18	1	114780-59010	PIPE ASSY, FUEL L50	1							
19	2	114780-59060	PIPE, FUEL L=50	1							
20	2	23080-014000	CLAMP, 14	2							
21	1	114339-59301	PIPE ASSY, FO RETURN	1							
22	2	124722-59050	CLAMP, HOSE 9	1							
23	2	114310-59061	PIPE, FO RETURN	1							
24	2	124066-59100	CLAMP, HOSE 8	1							
25	2	114310-59310	HOSE, PROTECTION	1							
26	2	121750-59890	BAND, NYLON	1							

Fig.18. CONTROL DEVICE

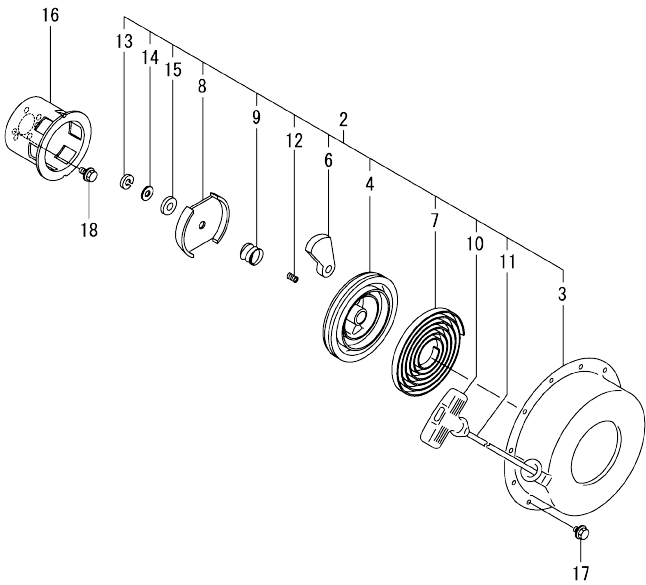


(A)=L100V5EA1C1CAID
(B)=
(C)=

(D)=
(E)=
(F)=

No.	Lev.	Parts No.	Description	Q'ty						I	R
				(A)	(B)	(C)	(D)	(E)	(F)		
1	1	114220-07151	LABEL, CONSTANT SPEE	1							
2	1	114210-66511	BRACKET ASSY, HANDLE	1							
3	2	114210-66300	HANDLE, REGULATOR	1							
4	2	183250-66321	LEVER, LOCK	1							
5	2	114210-66330	SPRING, LOCK LEVER	1							
6	2	183250-66341	NUT, DETENT M6	1							
7	2	114210-66350	BRACKET, HANDLE	1							
8	2	183250-66361	COLLAR, LOCK LEVER	1							
9	2	183250-66371	COLLAR, LEVER	1							
10	2	26106-060162	BOLT, M6X 16 PLATED	1							
11	1	26106-060142	BOLT, M6X 14 PLATED	1							
12	1	26106-060202	BOLT, M6X 20 PLATED	1							
14	1	114320-66020	SPRING, REGULATOR	1							
15	1	114299-66201	SPRING, RETURN	1							
16	1	114211-66600	LIMITER ASSY, FUEL	1							
21	1	26776-100002	NUT, LOCK M10	1							
23	1	114771-61800	WASHER, PLAIN 10	1							
24	1	114771-61820	PLATE	1							
25	1	114771-61900	PROTECTOR	1							
27	1	243111-000125	O-RING, 1AP12.5	1							

Fig.19. RECOIL STARTER



(A)=L100V5EA1C1CAID
(B)=
(C)=

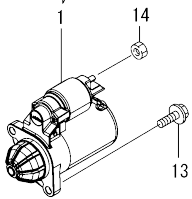
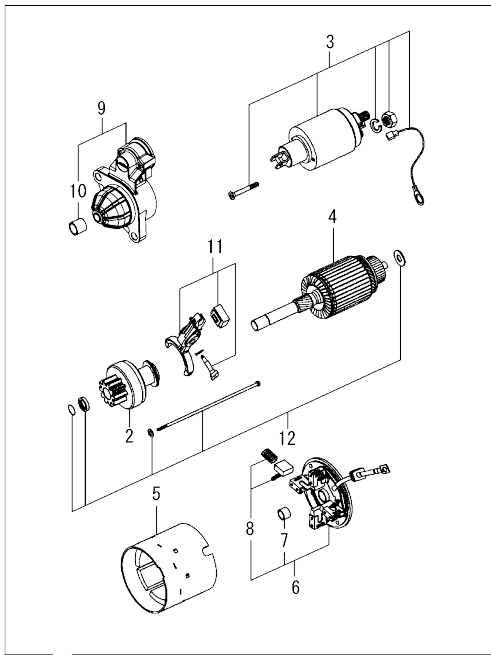
(D)=
(E)=
(F)=

No.	Lev.	Parts No.	Description	Q'ty					
				(A)	(B)	(C)	(D)	(E)	(F)
2	2	114699-76251	STARTER ASSY, RECOIL	1					
3	3	114699-76510	CASE, STARTER	1					
4	3	114699-76521	REEL, RECOIL STARTER	1					
6	3	114699-76531	RATCHET	2					
7	3	114399-76540	SPRING, SPIRAL	1					
8	3	114699-76551	GUIDE, RATCHET	1					
9	3	114699-76560	SPRING, FRICTION	1					
10	3	114399-76620	KNOB, STARTER	1					
11	3	114699-76630	ROPE, STARTER	1					
12	3	114699-76650	SPRING, COMPRESSION	1					
13	3	114699-76660	RING, RETAINING	1					
14	3	114699-76670	WASHER	1					
15	3	114699-76680	WASHER	1					
16	2	114699-76592	PULLEY, STARTER	1					
17	1	26106-060082	BOLT, M6X 8 PLATED	4					
18	1	26106-060122	BOLT, M6X 12 PLATED	3					

Fig.20. STARTER MOTOR

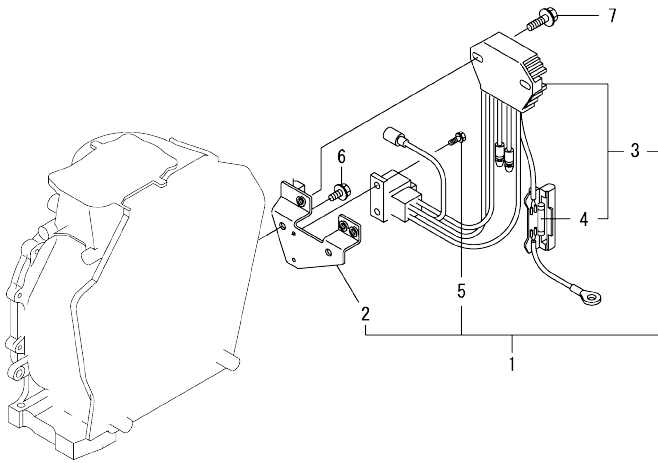
(A)=L100V5EA1C1CAID
(B)=
(C)=

(D)=
(E)=
(F)=



No.	Lev.	Parts No.	Description	Q'ty					
				(A)	(B)	(C)	(D)	(E)	(F)
1	1	114320-77010	MOTOR ASSY, STARTER	1					
2	2	114399-77040	CLUTCH ASSY, PINION	1					
3	2	114399-77060	SWITCH ASSY, MAGNET	1					
4	2	114320-77110	ARMATURE ASSY	1					
5	2	114320-77130	YOKE ASSY	1					
6	2	114399-77140	COVER ASSY, REAR	1					
7	3	114399-77050	BUSH, REAR	1					
8	3	114399-77160	HOLDER ASSY, BRUSH	4					
9	2	114399-77150	CASE ASSY, GEAR	1					
10	3	114399-77030	BUSH, TOP	1					
11	2	114399-77180	LEVER KIT, SHIFT	1					
12	2	114320-77770	BOLT ASSY, THROUGH	2					
13	1	26106-100302	BOLT, M10X 30 PLATED	2					
14	1	26716-080002	NUT, M8	1					

Fig.21. ELECTRIC PARTS

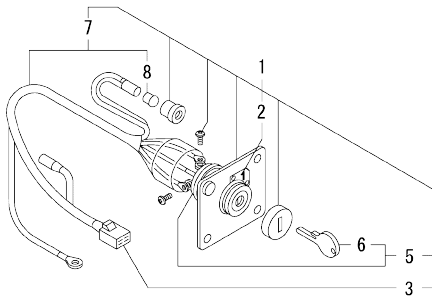


(A)=L100V5EA1C1CAID
(B)=
(C)=

(D)=
(E)=
(F)=

No.	Lev.	Parts No.	Description	Q'ty						I	R
				(A)	(B)	(C)	(D)	(E)	(F)		
1	1	114399-77560	REGULATOR ASSY	1							
2	2	114399-77410	BRACKET, HARNESS	1							
3	2	114399-77720	REGULATOR	1							
4	3	114399-78000	FUSE, 20A	1							
5	2	26023-040102	SCREW, M4X10	2							
6	1	26106-060122	BOLT, M6X 12 PLATED	2							
7	1	26106-060202	BOLT, M6X 20 PLATED	2							

Fig.22. KEY SWITCH



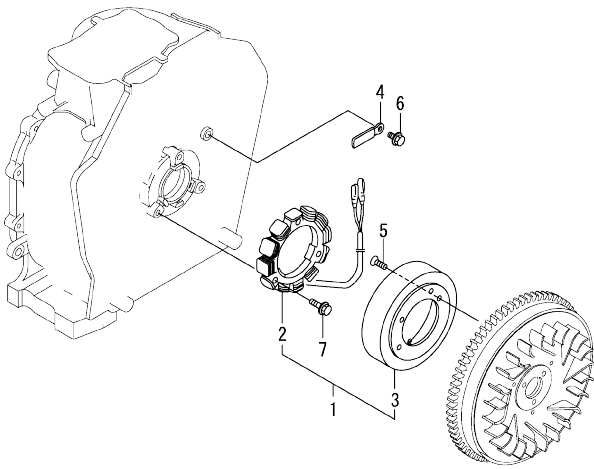
(A)=L100V5EA1C1CAID
(B)=
(C)=

(D)=
(E)=
(F)=

No.	Lev.	Parts No.	Description	Q'ty						I	R	
				(A)	(B)	(C)	(D)	(E)	(F)			
1	1	114220-77500	PANEL ASSY, SWITCH	1							1	
2	2	114220-07170	LABEL, START SWITCH	1								
3	2	114351-77520	COUPLER	1								
5	2	106100-77620	SWITCH, KEY	1								
6	3	106100-77630	KEY, SWITCH	1								
7	2	114351-77700	HARNES, WIRE	1								
8	3	29220-083200	BULB (12V/3.4W)	1								

OCC50-M01810 ENGINE
 Fig.23. DYNAMO

OCC50-M01810 Fig.23



(A)=L100V5EA1C1CAID
 (B)=
 (C)=

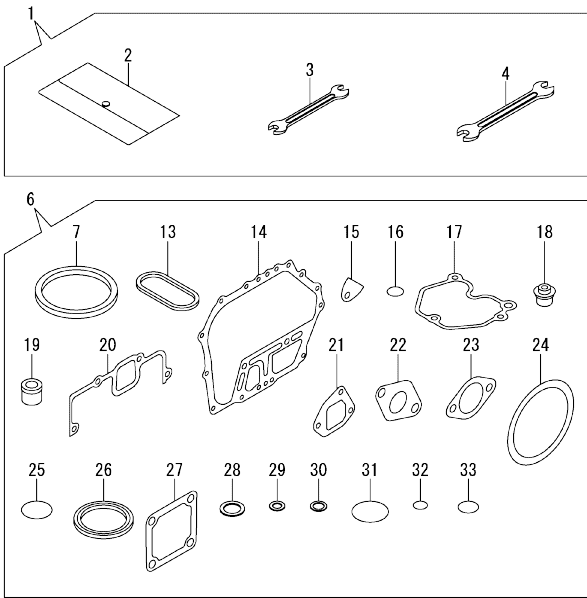
(D)=
 (E)=
 (F)=

No.	Lev.	Parts No.	Description	Q'ty						I	R
				(A)	(B)	(C)	(D)	(E)	(F)		
1	1	114399-78280	DINAMO ASSY, 15A	1							
2	2	114399-78770	STATOR ASSY	1							
3	2	114399-78780	WHEEL, DYNAMO	1							
4	1	160710-78710	CLAMP, CORD	1							
5	1	114210-78800	SCREW, M6	3							
6	1	26106-060122	BOLT, M6X 12 PLATED	1							
7	1	26106-060202	BOLT, M6X 20 PLATED	3							

Fig.24. GASKET SET & TOOL

(A)=L100V5EA1C1CAID
(B)=
(C)=

(D)=
(E)=
(F)=



No.	Lev.	Parts No.	Description	Q'ty						I	R
				(A)	(B)	(C)	(D)	(E)	(F)		
1	1	114299-92590	TOOL ASSY	1							
2	2	114299-92600	BAG, TOOL	1							
3	2	114299-92710	WRENCH	1							
4	2	114299-92720	WRENCH	1							
6	1	114320-92600	GASKET SET	1							1
7	2	114695-01331	GASKET, HEAD	1							
13	2	114699-01380	O-RING, TAPPET	1							
14	2	114699-01410	GASKET, CASE COVER	1							
15	2	114250-01841	GASKET, COVER	1							
16	2	114299-01950	O-RING, 18	2							
17	2	114310-11310	GASKET, BONNET	1							
18	2	114650-11341	SEAL, VALVE STEM	2							
19	2	114771-11461	GASKET, NOZZLE	1							
20	2	114310-12210	GASKET, AIR CLEANER	1							
21	2	114699-12210	GASKET, AIR CLEANER	2							
22	2	114310-13200	GASKET, MUFFLER	1							
23	2	183671-13211	GASKET, MUFFLER PIPE	1							
24	2	114399-21980	GASKET	1							
25	2	114299-32570	O-RING, PUMP COVER	1							
26	2	160393-55050	GASKET	4							
27	2	129100-77510	GASKET, AIR HEATER	3							
28	2	22190-160002	WASHER, SEAL 16	2							
29	2	23414-080000	GASKET, 8X1.0	1							
30	2	23414-120000	GASKET, 12X1.0	1							
31	2	24311-000400	O-RING, 1A P40.0	1							
32	2	24341-000150	O-RING, 1A S15.0	2							
33	2	24341-000224	O-RING, 1A S22.4	1							

Remarks

(1)Optional parts.

Parts No. Index

Parts No.	Fig. No.	Ref. No.	Parts No.	Fig. No.	Ref. No.	Parts No.	Fig. No.	Ref. No.	Parts No.	Fig. No.	Ref. No.
104211-11370	4	27	114299-07101	3	5	114310-45360	14	14	114399-77560	21	1
106100-77620	22	5	114299-07111	3	7	114310-55230	17	4	114399-77720	21	3
106100-77630	22	6	114299-07160	3	8	114310-59061	17	23	114399-78000	21	4
114110-76910	16	78	114299-12300	5	2	114310-59310	17	25	114399-78280	23	1
114210-03590	4	39	114299-32070	12	7	114310-59800	16	70	114399-78770	23	2
114210-11901	4	31	114299-32570	12	8	114311-01450	1	33	114399-78780	23	3
114210-12560	5	11		24	25	114311-61500	12	18	114650-02150	1	44
114210-12590	5	12	114299-35110	12	12	11431C-11100	4	8	114650-11341	4	26
114210-12600	5	15	114299-35150	1	38	11431C-11110	4	9		24	18
114210-14300	7	2	114299-45220	14	3	11431C-11250	4	14	114650-32010	12	1
114210-55220	17	3			8	11431C-11260	4	15	114695-01331	1	5
114210-55810	17	13	114299-45301	15	3	11431C-11650	4	16		24	7
114210-61290	12	32	114299-45310	15	4	11431C-11660	4	20	114699-01380	1	11
114210-66300	18	3	114299-45350	15	6	11431C-13550	6	2		24	13
114210-66330	18	5	114299-55040	17	10	11431C-13560	6	3	114699-01410	1	32
114210-66350	18	7	114299-55110	17	11	11431C-13700	6	4		24	14
114210-66511	18	2	114299-61190	12	17	11431C-13710	6	5	114699-01760	2	2
114210-78800	23	5	114299-61600	12	29	11431C-13720	6	6	114699-11600	4	30
114211-66600	18	16	114299-66201	18	15	11431C-21840	8	1	114699-12210	24	21
114220-07100	3	4	114299-83020	16	79	114320-12550	5	3	114699-21220	9	1
114220-07110	3	6	114299-92590	24	1	114320-13800	6	12	114699-21550	9	2
114220-07120	14	2	114299-92600	24	2	114320-45210	14	1	114699-21600	9	3
114220-07130	3	13	114299-92710	24	3	114320-66020	18	14	114699-21630	9	6
114220-07151	3	15	114299-92720	24	4	114320-77010	20	1	114699-22300	10	9
	18	1	114310-01020	1	1	114320-77110	20	4	114699-45331	15	5
114220-07170	22	2	114310-01200	4	1	114320-77130	20	5	114699-59850	16	76
114220-12500	5	8	114310-01210	4	2	114320-77770	20	12	114699-76251	19	2
114220-77500	22	1	114310-11050	4	3	114320-92600	24	6	114699-76510	19	3
114240-11450	4	28	114310-11120	4	10	11432C-23700	10	24	114699-76521	19	4
114240-11550	4	29	114310-11180	4	11	11432C-55710	17	8	114699-76531	19	6
114240-55300	17	6	114310-11290	4	25	114339-53100	16	33	114699-76551	19	8
114250-01841	1	25	114310-11310	4	36	114339-59301	17	21	114699-76560	19	9
	24	15		24	17	114349-53000	16	29	114699-76592	19	16
114250-11240	4	18	114310-11930	4	12	114351-77520	22	3	114699-76630	19	11
		22	114310-11950	4	37	114351-77700	22	7	114699-76650	19	12
114250-53080	16	32	114310-12010	5	4	114399-21980	24	24	114699-76660	19	13
114250-53120	16	38	114310-12210	5	1	114399-45320	14	11	114699-76670	19	14
114250-53130	16	39		24	20	114399-45340	14	7	114699-76680	19	15
114250-53140	16	40	114310-13200	6	1			12	114740-55200	17	12
114250-53210	16	41		24	22	114399-76540	19	7	114770-61520	12	28
114250-55122	17	1	114310-14200	7	1	114399-76620	19	10	114770-61610	12	30
114250-55130	17	2	114310-14400	7	7	114399-77030	20	10	114771-11461	24	19
114299-01600	1	12	114310-14580	7	8	114399-77040	20	2	114771-61800	18	23
114299-01690	2	1	114310-22500	10	10	114399-77050	20	7	114771-61820	18	24
114299-01800	1	13	114310-23200	10	28	114399-77060	20	3	114771-61900	18	25
114299-01830	1	24	114310-45150	15	1	114399-77140	20	6	114780-59010	17	18
114299-01950	2	4	114310-45260	14	9	114399-77150	20	9	114780-59060	17	19
	24	16	114310-45270	14	10	114399-77160	20	8	114940-02110	1	36
114299-02030	1	43	114310-45320	14	4	114399-77180	20	11	114940-02200	1	40
114299-03640	4	42	114310-45350	14	13	114399-77410	21	2	114940-02210	1	41

Parts No. Index

Parts No.	Fig. No.	Ref. No.
114940-23600	10	29
114940-23610	10	31
114940-23620	10	33
114940-23910	10	35
119803-53400	16	42
121750-59890	17	26
124066-59100	17	24
124722-59050	17	22
129100-77510	24	27
160393-55050	24	26
160710-78710	23	4
183250-39450	13	1
183250-66321	18	4
183250-66341	18	6
183250-66361	18	8
183250-66371	18	9
183671-13211	24	23
22117-080000	17	14
22190-160002	2	5
	24	28
22242-000150	4	24
22312-030160	4	45
	12	9
22312-040080	1	26
22322-030200	12	27
22351-025005	16	37
22351-040008	4	32
22512-050140	9	7
23080-014000	17	20
23414-080000	24	29
23414-120000	24	30
23875-020000	1	27
24101-063040	11	6
24162-152220	1	45
24311-000125	17	7
	18	27
24311-000400	24	31
24341-000150	24	32
24341-000224	12	14
	24	33
24423-355008	1	46
		47
26023-040102	21	5
26106-060082	14	15
	19	17
26106-060122	12	10
	19	18
	21	6
	23	6
26106-060142	18	11

Parts No.	Fig. No.	Ref. No.
26106-060162	12	15
	18	10
26106-060202	14	16
	18	12
	21	7
	23	7
26106-060402	5	17
26106-060652	4	49
26106-080122	1	48
26106-080202	6	7
26106-080352	1	39
26106-080452	17	15
26106-100302	20	13
26216-080182	6	9
26226-060182	1	28
26226-060222	1	29
26226-060352	5	18
26226-060552	4	33
26306-080002	6	10
26366-060002	1	30
	4	34
	14	17
	17	16
26716-080002	20	14
26776-100002	18	21
26856-060002	4	19
		23
29220-083200	22	8
714210-61701	12	31
714310-22500	10	3
714310-22540	10	13
714310-22550	10	19
714310-22580	10	17
714310-22620	10	11
714310-22720	10	1
714310-28510	11	1
714349-51610	16	1
714349-53100	16	28

Parts No.	Fig. No.	Ref. No.
-----------	----------	----------

Parts No.	Fig. No.	Ref. No.
-----------	----------	----------