

0CC50-M01460EN

# P R E F A C E

This parts catalog is the 1st edition of L100V6FF1P1AAFT for BCS.

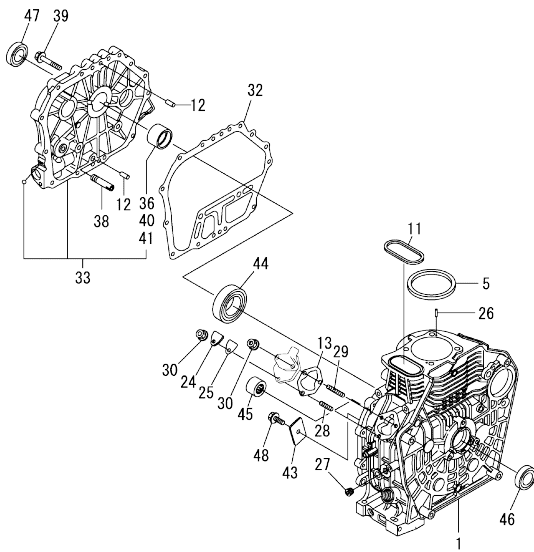
Published : May, 2018

## Contents

0CC50-M01460

| Fig. No.      | Fig. Name                                  | Fig. No. | Fig. Name |
|---------------|--|----------|-----------|
| <b>ENGINE</b> |  |          |           |
| 1.            | CYLINDER BLOCK                             |          |           |
| 2.            | HOUSING                                    |          |           |
| 3.            | DRAIN PLUG                                 |          |           |
| 4.            | LABEL                                      |          |           |
| 5.            | CYLINDER HEAD & BONNET                     |          |           |
| 6.            | AIR CLEANER                                |          |           |
| 7.            | EXHAUST MUFFLER                            |          |           |
| 8.            | CAMSHAFT                                   |          |           |
| 9.            | CRANKSHAFT                                 |          |           |
| 10.           | FLYWHEEL                                   |          |           |
| 11.           | PISTON & CONNECTING ROD                    |          |           |
| 12.           | BALANCER SHAFT                             |          |           |
| 13.           | LUB. OIL PUMP & GOVERNOR                   |          |           |
| 14.           | SWITCH CAP(OIL PRESSURE)                   |          |           |
| 15.           | COVER                                      |          |           |
| 16.           | COOLING FAN CASE                           |          |           |
| 17.           | FUEL INJECTION PUMP & FUEL INJECTION VALVE |          |           |
| 18.           | FUEL TANK & FUEL PIPE                      |          |           |
| 19.           | CONTROL DEVICE                             |          |           |
| 20.           | RECOIL STARTER                             |          |           |
| 21.           | GASKET SET & TOOL                          |          |           |

Fig.1. CYLINDER BLOCK



(A)=L100V6FF1P1AAFT  
(B)=  
(C)=

(D)=  
(E)=  
(F)=

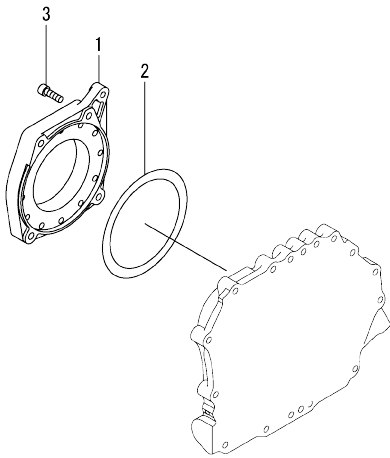
| No.          | Lev. | Parts No.    | Description          | Q'ty |     |     |     |     |     | I | R   |
|--------------|------|--------------|----------------------|------|-----|-----|-----|-----|-----|---|-----|
|              |      |              |                      | (A)  | (B) | (C) | (D) | (E) | (F) |   |     |
| 1            | 1    | 114310-01010 | BLOCK ASSY, CYLINDER | 1    |     |     |     |     |     |   |     |
| 5            | 1    | 114695-01331 | GASKET, HEAD         | 1    |     |     |     |     |     |   |     |
| 11           | 1    | 114699-01380 | O-RING, TAPPET       | 1    |     |     |     |     |     |   |     |
| 12           | 1    | 114299-01600 | PIN, PARALLEL 8X12   | 2    |     |     |     |     |     |   |     |
| 13           | 1    | 114299-01800 | SHIM SET, PUMP       | 1    |     |     |     |     |     |   |     |
| 24           | 1    | 114299-01830 | COVER, PUMP          | 1    |     |     |     |     |     |   |     |
| 25           | 1    | 114250-01841 | GASKET, COVER        | 1    |     |     |     |     |     |   |     |
| 26           | 1    | 22312-040080 | PIN, PARALLEL M4X 8  | 2    |     |     |     |     |     |   |     |
| 27           | 1    | 23875-020000 | PLUG, R02            | 1    |     |     |     |     |     |   |     |
| 28           | 1    | 26226-060182 | STUD, M6X 18         | 1    |     |     |     |     |     |   |     |
| 29           | 1    | 26226-060222 | STUD, M6X 22         | 2    |     |     |     |     |     |   |     |
| 30           | 1    | 26366-060002 | NUT, M6              | 3    |     |     |     |     |     |   |     |
| 32           | 1    | 114699-01410 | GASKET, CASE COVER   | 1    |     |     |     |     |     |   |     |
| 33           | 1    | 114310-01450 | COVER, CRANK CASE D  | 1    |     |     |     |     |     |   |     |
| 33-1         | 1    | 114311-01450 | COVER, CRANKCASE D   | 1    |     |     |     |     |     |   | N   |
| (A=EM55139)  |      |              |                      |      |     |     |     |     |     |   |     |
| 36           | 2    | 114650-02100 | METAL, MAIN          | 1    |     |     |     |     |     |   | 1   |
| 36-1         | 2    | 114940-02110 | BEARING, MAIN        | 1    |     |     |     |     |     |   | N 1 |
| (A=*2019,07) |      |              |                      |      |     |     |     |     |     |   |     |
| 38           | 1    | 114299-35150 | PIPE, OIL INLET      | 1    |     |     |     |     |     |   |     |
| 39           | 1    | 26106-080352 | BOLT, M8X 35 PLATED  | 16   |     |     |     |     |     |   |     |
| 40           | 1    | 114650-02200 | METAL, MAIN 0.25 US  | 1    |     |     |     |     |     |   | 2   |
| 40-1         | 1    | 114940-02200 | BEARING, MAIN 0.25OS | 1    |     |     |     |     |     |   | N 4 |
| (A=*2019,07) |      |              |                      |      |     |     |     |     |     |   |     |
| 41           | 1    | 114650-02210 | METAL, MAIN 0.50 US  | 1    |     |     |     |     |     |   | 3   |
| 41-1         | 1    | 114940-02210 | BEARING, MAIN 0.50OS | 1    |     |     |     |     |     |   | N 5 |
| (A=*2019,07) |      |              |                      |      |     |     |     |     |     |   |     |
| 43           | 1    | 114299-02030 | RETAINER, BEARING    | 1    |     |     |     |     |     |   |     |
| 44           | 1    | 114650-02150 | BEARING, HR6308G3C3  | 1    |     |     |     |     |     |   |     |
| 45           | 1    | 24162-152220 | BEARING, 152220      | 1    |     |     |     |     |     |   |     |
| 46           | 1    | 24423-355008 | SEAL, OIL TC355008   | 1    |     |     |     |     |     |   |     |
| 47           | 1    | 24423-355008 | SEAL, OIL TC355008   | 1    |     |     |     |     |     |   |     |
| 48           | 1    | 26106-080122 | BOLT, M8X 12 PLATED  | 1    |     |     |     |     |     |   |     |

Remarks

- (1) Spare parts.
- (2) Under-sized (U.S.=0.25) parts.
- (3) Under-sized (U.S.=0.50) parts.
- (4) Over-sized (O.S.=0.25) parts.
- (5) Over-sized (O.S.=0.50) parts.

OCC50-M01460 ENGINE  
 Fig.2. HOUSING

OCC50-M01460 Fig.2

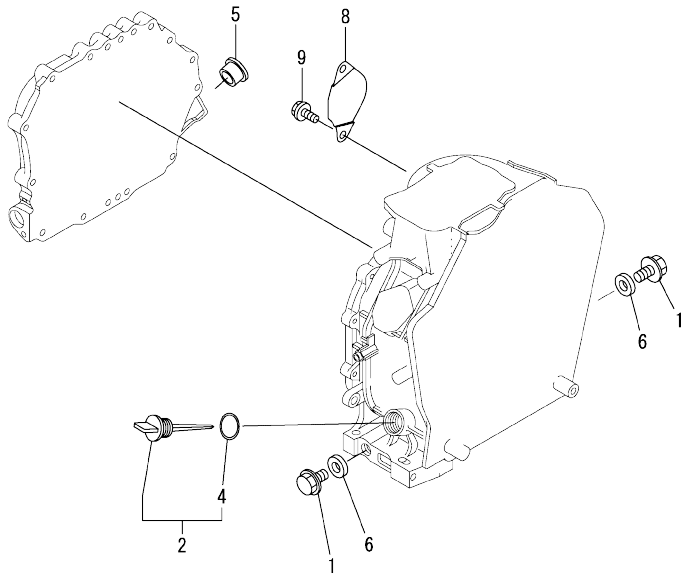


(A)=L100V6FF1P1AAFT  
 (B)=  
 (C)=

(D)=  
 (E)=  
 (F)=

| No. | Lev. | Parts No.    | Description  | Q'ty |     |     |     |     |     | I | R |
|-----|------|--------------|--------------|------|-----|-----|-----|-----|-----|---|---|
|     |      |              |              | (A)  | (B) | (C) | (D) | (E) | (F) |   |   |
| 1   | 1    | 114399-21980 | FLANGE       | 1    |     |     |     |     |     |   |   |
| 2   | 1    | 114399-21980 | GASKET       | 1    |     |     |     |     |     |   |   |
| 3   | 1    | 26453-080252 | BOLT, M8X 25 | 4    |     |     |     |     |     |   |   |

OCC50-M01460 ENGINE  
 Fig.3. DRAIN PLUG



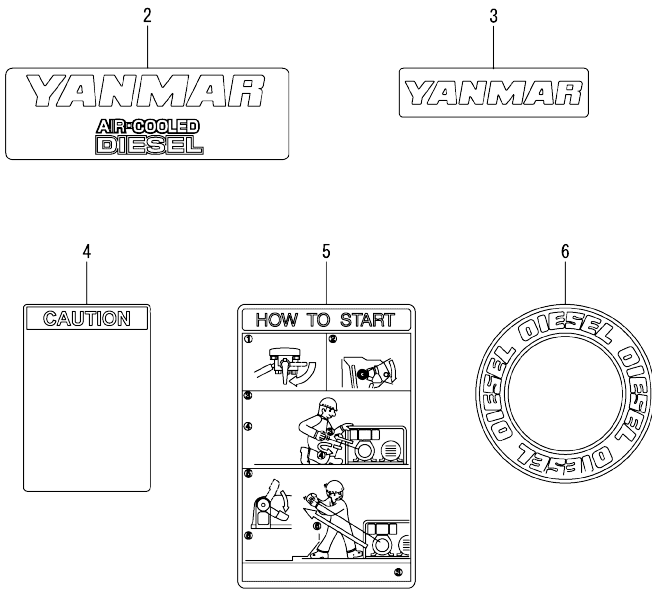
OCC50-M01460 Fig.3

(A)=L100V6FF1P1AAFT  
 (B)=  
 (C)=

(D)=  
 (E)=  
 (F)=

| No. | Lev. | Parts No.    | Description          | Q'ty |     |     |     |     |     | I | R |
|-----|------|--------------|----------------------|------|-----|-----|-----|-----|-----|---|---|
|     |      |              |                      | (A)  | (B) | (C) | (D) | (E) | (F) |   |   |
| 1   | 1    | 114299-01690 | PLUG, DRAIN 16       |      | 2   |     |     |     |     |   |   |
| 2   | 1    | 114699-01760 | CAP ASSY, OIL SUPPLY |      | 1   |     |     |     |     |   |   |
| 4   | 2    | 114299-01950 | O-RING, 18           |      | 1   |     |     |     |     |   |   |
| 5   | 1    | 160110-01870 | PLUG, RUBBER 22      |      | 1   |     |     |     |     |   |   |
| 5-1 | 1    | 114940-01870 | PLUG, RUBBER 22      |      | 1   |     |     |     |     |   | N |
|     |      |              | (A=M57714)           |      |     |     |     |     |     |   |   |
| 6   | 1    | 22190-160002 | WASHER, SEAL 16      |      | 2   |     |     |     |     |   |   |
| 8   | 1    | 114399-01700 | COVER, STARTER       |      | 1   |     |     |     |     |   |   |
| 9   | 1    | 26106-100122 | BOLT, M10X 12 PLATED |      | 2   |     |     |     |     |   |   |

Fig.4. LABEL

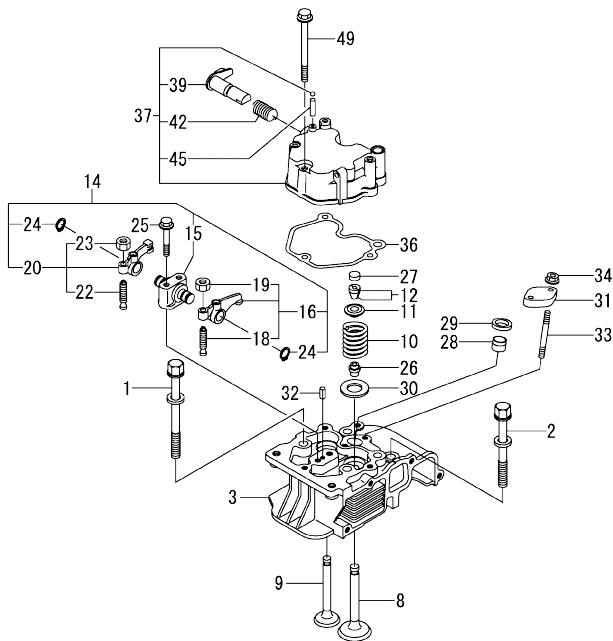


| No. | Lev. | Parts No.    | Description          | Q'ty |     |     |     |     |     |
|-----|------|--------------|----------------------|------|-----|-----|-----|-----|-----|
|     |      |              |                      | (A)  | (B) | (C) | (D) | (E) | (F) |
| 2   | 1    | 114299-07101 | LABEL, YANMAR MARK A | 1    |     |     |     |     |     |
| 3   | 1    | 114299-07111 | LABEL, YANMAR MARK B | 1    |     |     |     |     |     |
| 4   | 1    | 114210-07120 | LABEL, CAUTION       | 1    |     |     |     |     |     |
| 5   | 1    | 114210-07130 | LABEL, HOW TO START  | 1    |     |     |     |     |     |
| 6   | 1    | 114299-07160 | LABEL, DIESEL        | 1    |     |     |     |     |     |

(A)=L100V6FF1P1AAFT  
(B)=  
(C)=

(D)=  
(E)=  
(F)=

Fig.5. CYLINDER HEAD & BONNET



(A)=L100V6FF1P1AAFT  
(B)=  
(C)=

(D)=  
(E)=  
(F)=

| No. | Lev. | Parts No.    | Description           | Q'ty |     |     |     |     |     | I | R |
|-----|------|--------------|-----------------------|------|-----|-----|-----|-----|-----|---|---|
|     |      |              |                       | (A)  | (B) | (C) | (D) | (E) | (F) |   |   |
| 1   | 1    | 114310-01200 | BOLT, HEAD A          | 2    |     |     |     |     |     |   |   |
| 2   | 1    | 114310-01210 | BOLT, HEAD B          | 2    |     |     |     |     |     |   |   |
| 3   | 1    | 114310-11050 | HEAD ASSY, CYLINDER   | 1    |     |     |     |     |     |   |   |
| 8   | 1    | 11431C-11100 | VALVE, INTAKE         | 1    |     |     |     |     |     |   |   |
| 9   | 1    | 11431C-11110 | VALVE, EXHAUST        | 1    |     |     |     |     |     |   |   |
| 10  | 1    | 114310-11120 | SPRING, VALVE         | 2    |     |     |     |     |     |   |   |
| 11  | 1    | 114310-11180 | RETAINER, SPRING      | 2    |     |     |     |     |     |   |   |
| 12  | 1    | 114310-11930 | COTTER ASSY           | 2    |     |     |     |     |     |   |   |
| 14  | 1    | 11431C-11250 | SUPPORT ASSY, ARM     | 1    |     |     |     |     |     |   |   |
| 15  | 2    | 11431C-11260 | SUPPORT, ROCKER ARM   | 1    |     |     |     |     |     |   |   |
| 16  | 2    | 11431C-11650 | ARM, ROCKER           | 1    |     |     |     |     |     |   |   |
| 18  | 3    | 114250-11240 | SCREW, VALVE ADJUST   | 1    |     |     |     |     |     |   |   |
| 19  | 3    | 26856-060002 | NUT, M6               | 1    |     |     |     |     |     |   |   |
| 20  | 2    | 11431C-11660 | ARM, ROCKER           | 1    |     |     |     |     |     |   |   |
| 22  | 3    | 114250-11240 | SCREW, VALVE ADJUST   | 1    |     |     |     |     |     |   |   |
| 23  | 3    | 26856-060002 | NUT, M6               | 1    |     |     |     |     |     |   |   |
| 24  | 2    | 22242-000150 | RING, 15              | 2    |     |     |     |     |     |   |   |
| 25  | 1    | 114310-11290 | BOLT, SUPPORT         | 2    |     |     |     |     |     |   |   |
| 26  | 1    | 114650-11341 | SEAL, VALVE STEM      | 2    |     |     |     |     |     |   |   |
| 27  | 1    | 104211-11370 | CAP, VALVE            | 2    |     |     |     |     |     |   |   |
| 28  | 1    | 114240-11450 | PROTECTOR, NOZZLE     | 1    |     |     |     |     |     |   |   |
| 29  | 1    | 114240-11550 | SEAT, NOZZLE          | 1    |     |     |     |     |     |   |   |
| 30  | 1    | 114699-11600 | WASHER                | 2    |     |     |     |     |     |   |   |
| 31  | 1    | 114210-11901 | RETAINER, VALVE       | 1    |     |     |     |     |     |   |   |
| 32  | 1    | 22351-040008 | PIN, SPRING 4.0X 8    | 1    |     |     |     |     |     |   |   |
| 33  | 1    | 26226-060552 | STUD, M6X 55          | 2    |     |     |     |     |     |   |   |
| 34  | 1    | 26366-060002 | NUT, M6               | 2    |     |     |     |     |     |   |   |
| 36  | 1    | 114310-11310 | GASKET, BONNET        | 1    |     |     |     |     |     |   |   |
| 37  | 1    | 114310-11950 | BONNET ASSY, HEAD     | 1    |     |     |     |     |     |   |   |
| 39  | 2    | 114210-03590 | DECOMPRESSION ASSY    | 1    |     |     |     |     |     |   |   |
| 42  | 2    | 114299-03640 | SPRING, DECOMPRESSION | 1    |     |     |     |     |     |   |   |
| 45  | 2    | 22312-030160 | PIN, PARALLEL M3X16   | 1    |     |     |     |     |     |   |   |
| 49  | 1    | 26106-060652 | BOLT, M6X 65 PLATED   | 3    |     |     |     |     |     |   |   |

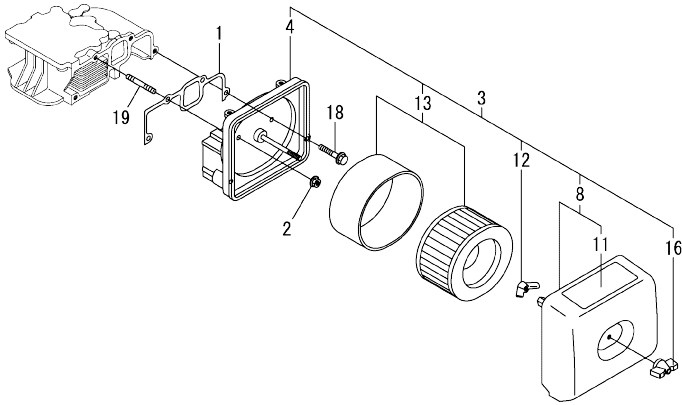


OCC50-M01460 ENGINE  
 Fig.6. AIR CLEANER

OCC50-M01460 Fig.6

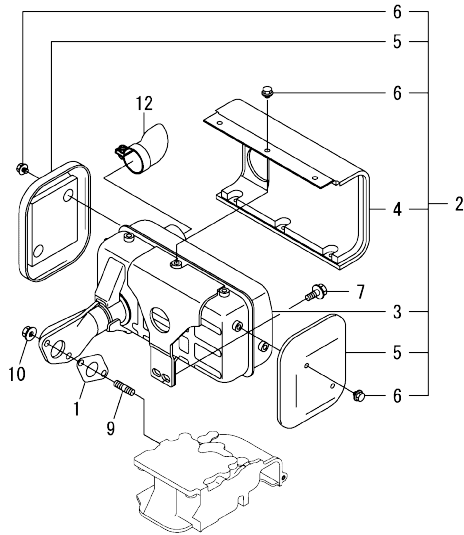
(A)=L100V6FF1P1AAFT  
 (B)=  
 (C)=

(D)=  
 (E)=  
 (F)=



| No. | Lev. | Parts No.    | Description         | Q'ty |     |     |     |     |     | I | R |
|-----|------|--------------|---------------------|------|-----|-----|-----|-----|-----|---|---|
|     |      |              |                     | (A)  | (B) | (C) | (D) | (E) | (F) |   |   |
| 1   | 1    | 114310-12210 | GASKET, AIR CLEANER | 1    |     |     |     |     |     |   |   |
| 2   | 1    | 114299-12300 | NUT                 | 3    |     |     |     |     |     |   |   |
| 3   | 1    | 114310-12511 | CLEANER ASSY, AIR   | 1    |     |     |     |     |     |   |   |
| 4   | 2    | 114310-12010 | BODY ASSY, CLEANER  | 1    |     |     |     |     |     |   |   |
| 8   | 2    | 114210-12500 | COVER ASSY, CLEANER | 1    |     |     |     |     |     |   |   |
| 11  | 3    | 114210-12610 | LABEL, AIR CLEANER  | 1    |     |     |     |     |     |   |   |
| 12  | 2    | 114210-12560 | NUT, WING           | 1    |     |     |     |     |     |   |   |
| 13  | 2    | 114210-12590 | ELEMENT ASSY        | 1    |     |     |     |     |     |   |   |
| 16  | 2    | 114210-12600 | KNOB                | 1    |     |     |     |     |     |   |   |
| 18  | 1    | 26106-060402 | BOLT, M6X 40 PLATED | 1    |     |     |     |     |     |   |   |
| 19  | 1    | 26226-060352 | STUD, M6X 35        | 3    |     |     |     |     |     |   |   |

Fig.7. EXHAUST MUFFLER



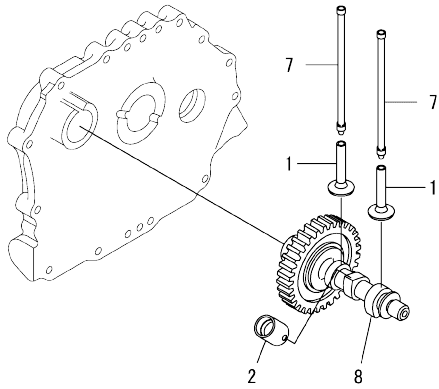
(A)=L100V6FF1P1AAFT  
(B)=  
(C)=

(D)=  
(E)=  
(F)=

| No. | Lev. | Parts No.    | Description         | Q'ty |     |     |     |     |     | I | R |
|-----|------|--------------|---------------------|------|-----|-----|-----|-----|-----|---|---|
|     |      |              |                     | (A)  | (B) | (C) | (D) | (E) | (F) |   |   |
| 1   | 1    | 114310-13200 | GASKET, MUFFLER     | 1    |     |     |     |     |     |   |   |
| 2   | 1    | 11431C-13550 | MUFFLER ASSY        | 1    |     |     |     |     |     |   |   |
| 3   | 2    | 11431C-13560 | MUFFLER             | 1    |     |     |     |     |     |   |   |
| 4   | 2    | 11431C-13700 | COVER, MUFFLER A    | 1    |     |     |     |     |     |   |   |
| 5   | 2    | 11431C-13710 | COVER               | 2    |     |     |     |     |     |   |   |
| 6   | 2    | 11431C-13720 | BOLT, M6            | 10   |     |     |     |     |     |   |   |
| 7   | 1    | 26106-080202 | BOLT, M8X 20 PLATED | 2    |     |     |     |     |     |   |   |
| 9   | 1    | 26216-080182 | STUD, M8X 18        | 2    |     |     |     |     |     |   |   |
| 10  | 1    | 26306-080002 | NUT, M8             | 2    |     |     |     |     |     |   |   |
| 12  | 1    | 114320-13800 | DEFLECTOR ASSY, EXH | 1    |     |     |     |     |     |   |   |

OCC50-M01460 ENGINE  
 Fig.8. CAMSHAFT

OCC50-M01460 Fig.8



(A)=L100V6FF1P1AAFT  
 (B)=  
 (C)=

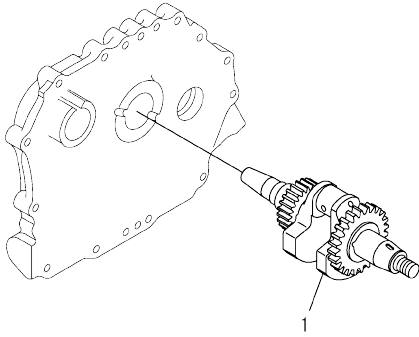
(D)=  
 (E)=  
 (F)=

| No. | Lev. | Parts No.    | Description         | Q'ty |     |     |     |     |     |
|-----|------|--------------|---------------------|------|-----|-----|-----|-----|-----|
|     |      |              |                     | (A)  | (B) | (C) | (D) | (E) | (F) |
| 1   | 1    | 114310-14200 | TAPPET              | 2    |     |     |     |     |     |
| 2   | 1    | 114210-14300 | TAPPET ASSY, ROLLER | 1    |     |     |     |     |     |
| 7   | 1    | 114310-14400 | ROD ASSY, PUSH      | 2    |     |     |     |     |     |
| 8   | 1    | 114310-14580 | CAMSHAFT ASSY       | 1    |     |     |     |     |     |

OCC50-M01460 ENGINE

Fig.9. CRANKSHAFT

OCC50-M01460 Fig.9

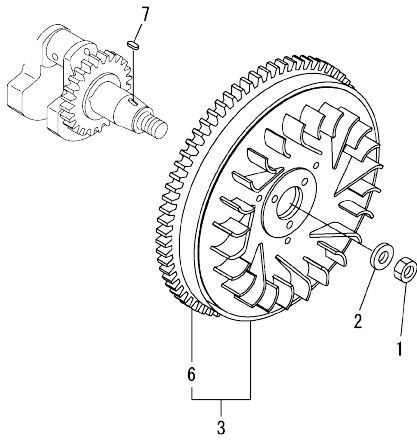


(A)=L100V6FF1P1AAFT  
(B)=  
(C)=

(D)=  
(E)=  
(F)=

| No. | Lev. | Parts No.    | Description           | Q'ty |     |     |     |     |     |
|-----|------|--------------|-----------------------|------|-----|-----|-----|-----|-----|
|     |      |              |                       | (A)  | (B) | (C) | (D) | (E) | (F) |
| 1   | 1    | 11431C-21760 | CRANKSHAFT(E-DI ASSY) | 1    |     |     |     |     |     |

OCC50-M01460 ENGINE  
 Fig.10. FLYWHEEL



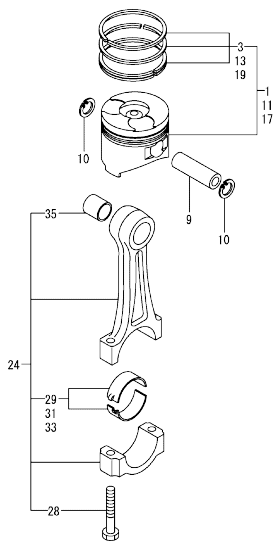
OCC50-M01460 Fig.10

(A)=L100V6FF1P1AAFT  
 (B)=  
 (C)=

(D)=  
 (E)=  
 (F)=

| No. | Lev. | Parts No.    | Description       | Q'ty |     |     |     |     |     | I | R |
|-----|------|--------------|-------------------|------|-----|-----|-----|-----|-----|---|---|
|     |      |              |                   | (A)  | (B) | (C) | (D) | (E) | (F) |   |   |
| 1   | 1    | 114699-21220 | NUT, WHEEL        | 1    |     |     |     |     |     |   |   |
| 2   | 1    | 114699-21550 | WASHER, FLYWHEEL  | 1    |     |     |     |     |     |   |   |
| 3   | 1    | 114699-21600 | FLYWHEEL ASSY, DE | 1    |     |     |     |     |     |   |   |
| 6   | 2    | 114699-21630 | GEAR, RING        | 1    |     |     |     |     |     |   |   |
| 7   | 1    | 22512-050140 | KEY, 5X 14        | 1    |     |     |     |     |     |   |   |

Fig.11. PISTON & CONNECTING ROD



(A)=L100V6FF1P1AAFT  
(B)=  
(C)=

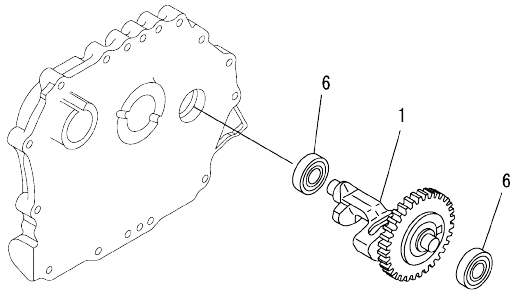
(D)=  
(E)=  
(F)=

| No.  | Lev. | Parts No.    | Description           | Q'ty |     |     |     |     |     | I | R   |
|------|------|--------------|-----------------------|------|-----|-----|-----|-----|-----|---|-----|
|      |      |              |                       | (A)  | (B) | (C) | (D) | (E) | (F) |   |     |
| 1    | 1    | 114310-22060 | PISTON W/RING, D      | 1    |     |     |     |     |     |   |     |
| 3    | 2    | 114320-22160 | RING SET, PISTON      | 1    |     |     |     |     |     |   |     |
| 9    | 1    | 114699-22300 | PIN, PISTON D=23      | 1    |     |     |     |     |     |   |     |
| 10   | 1    | 114310-22500 | RING, SEEGER J23      | 2    |     |     |     |     |     |   |     |
| 11   | 1    | 114310-22040 | PISTON W/RING, 0,25OS | 1    |     |     |     |     |     |   | 1   |
| 13   | 2    | 114320-22140 | RING, PISTON 0,25 OS  | 1    |     |     |     |     |     |   | 1   |
| 17   | 1    | 114310-22050 | PISTON W/RING, 0,50OS | 1    |     |     |     |     |     |   | 2   |
| 19   | 2    | 114320-22150 | RING, PISTON 0,50 OS  | 1    |     |     |     |     |     |   | 2   |
| 24   | 1    | 71431C-23010 | ROD ASSY, CONNECTING  | 1    |     |     |     |     |     |   |     |
| 24-1 | 1    | 11432C-23700 | ROD ASSY, CONNECTING  | 1    |     |     |     |     |     |   | N   |
|      |      | (A=EM63179)  |                       |      |     |     |     |     |     |   |     |
| 28   | 3    | 114310-23200 | BOLT, CONNECTING ROD  | 2    |     |     |     |     |     |   |     |
| 29   | 2    | 714650-23600 | METAL ASSY, CRANK PIN | 1    |     |     |     |     |     |   |     |
| 29-1 | 2    | 114940-23600 | METAL ASSY, CRANK PIN | 1    |     |     |     |     |     |   | N   |
|      |      | (A=*2019,10) |                       |      |     |     |     |     |     |   |     |
| 31   | 1    | 714650-23610 | METAL ASSY, PIN .25   | 1    |     |     |     |     |     |   | 3   |
| 31-1 | 1    | 114940-23610 | METAL ASSY, PIN .25   | 1    |     |     |     |     |     |   | N 1 |
|      |      | (A=*2019,10) |                       |      |     |     |     |     |     |   |     |
| 33   | 1    | 714650-23620 | METAL ASSY, PIN .50   | 1    |     |     |     |     |     |   | 4   |
| 33-1 | 1    | 114940-23620 | METAL ASSY, PIN .50   | 1    |     |     |     |     |     |   | N 2 |
|      |      | (A=*2019,10) |                       |      |     |     |     |     |     |   |     |
| 35   | 1    | 114940-23910 | BUSH, PISTON PINN     | 1    |     |     |     |     |     |   | W 5 |
|      |      | (A=*2019,07) |                       |      |     |     |     |     |     |   |     |

Remarks

- (1)Over-sized(O.S.=0.25) parts.
- (2)Over-sized(O.S.=0.50) parts.
- (3)Under-sized(U.S.=0.25) parts.
- (4)Under-sized(U.S.=0.50) parts.
- (5)Spare parts.

Fig.12. BALANCER SHAFT

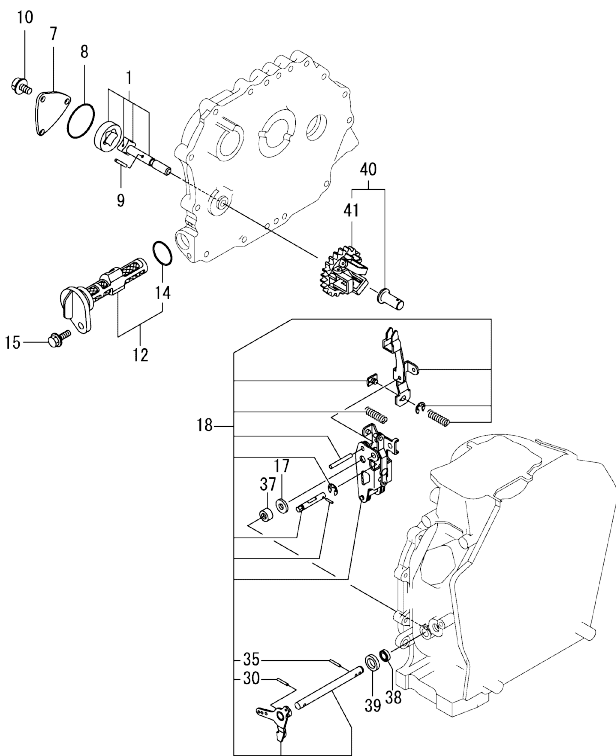


(A)=L100V6FF1P1AAFT  
(B)=  
(C)=

(D)=  
(E)=  
(F)=

| No. | Lev. | Parts No.    | Description          | Q'ty |     |     |     |     |     | I | R |
|-----|------|--------------|----------------------|------|-----|-----|-----|-----|-----|---|---|
|     |      |              |                      | (A)  | (B) | (C) | (D) | (E) | (F) |   |   |
| 1   | 1    | 714310-28510 | SHAFT ASSY, BALANCER | 1    |     |     |     |     |     |   |   |
| 6   | 1    | 24101-063040 | BEARING, BALL 6304C3 | 2    |     |     |     |     |     |   |   |

Fig.13. LUB. OIL PUMP & GOVERNOR



| No. | Lev. | Parts No.    | Description           | Q'ty |     |     |     |     |     | I | R |
|-----|------|--------------|-----------------------|------|-----|-----|-----|-----|-----|---|---|
|     |      |              |                       | (A)  | (B) | (C) | (D) | (E) | (F) |   |   |
| 1   | 1    | 114650-32010 | PUMP ASSY, OIL        | 1    |     |     |     |     |     |   |   |
| 7   | 1    | 114299-32070 | COVER, OIL PUMP       | 1    |     |     |     |     |     |   |   |
| 8   | 1    | 114299-32570 | O-RING, PUMP COVER    | 1    |     |     |     |     |     |   |   |
| 9   | 1    | 22312-030160 | PIN, PARALLEL M3X16   | 1    |     |     |     |     |     |   |   |
| 10  | 1    | 26106-060122 | BOLT, M6X 12 PLATED   | 3    |     |     |     |     |     |   |   |
| 12  | 1    | 114299-35110 | FILTER ASSY, OIL      | 1    |     |     |     |     |     |   |   |
| 14  | 2    | 24341-000224 | O-RING, 1AS22,4       | 1    |     |     |     |     |     |   |   |
| 15  | 1    | 26106-060162 | BOLT, M6X 16 PLATED   | 1    |     |     |     |     |     |   |   |
| 17  | 1    | 114299-61190 | WASHER, GOVERNOR      | 1    |     |     |     |     |     |   |   |
| 18  | 1    | 114310-61500 | LEVER ASSY, GOVERNOR  | 1    |     |     |     |     |     |   | 1 |
| 30  | 2    | 22322-030200 | PIN, TAPER 3X20       | 1    |     |     |     |     |     |   |   |
| 35  | 2    | 22322-030200 | PIN, TAPER 3X20       | 1    |     |     |     |     |     |   |   |
| 37  | 1    | 114770-61520 | BEARING, NEEDLE       | 2    |     |     |     |     |     |   |   |
| 38  | 1    | 114299-61600 | SEAL, OIL             | 1    |     |     |     |     |     |   |   |
| 39  | 1    | 114770-61610 | WASHER, THRUST        | 1    |     |     |     |     |     |   |   |
| 40  | 1    | 714210-61701 | GOVERNOR ASSY         | 1    |     |     |     |     |     |   |   |
| 41  | 2    | 114210-61290 | WEIGHT ASSY, GOVERNOR | 1    |     |     |     |     |     |   |   |

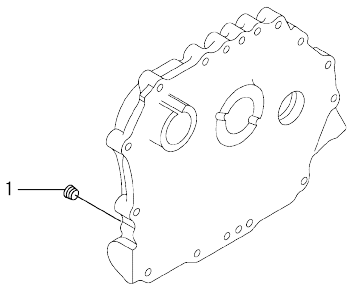
Remarks

(1) On a guarantee of quality, component parts shall not be sold.



OCC50-M01460 ENGINE

Fig.14. SWITCH CAP(OIL PRESSURE)



OCC50-M01460 Fig.14

(A)=L100V6FF1P1AAFT  
(B)=  
(C)=

(D)=  
(E)=  
(F)=

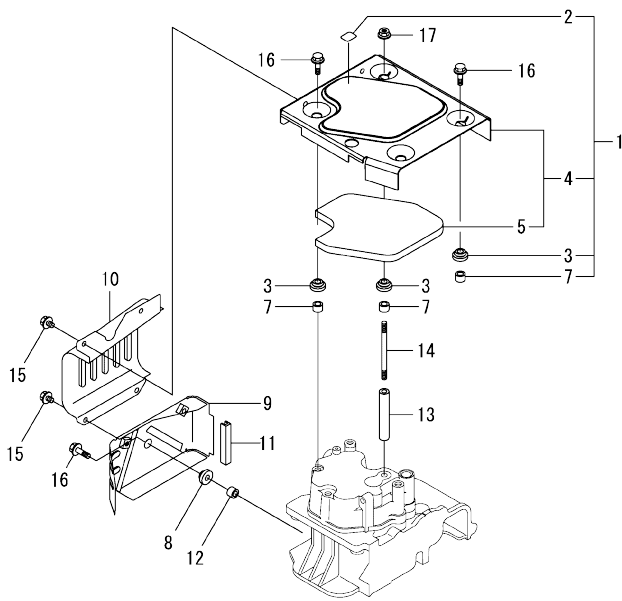
| No. | Lev. | Parts No.    | Description | Q'ty |     |     |     |     |     | I | R |
|-----|------|--------------|-------------|------|-----|-----|-----|-----|-----|---|---|
|     |      |              |             | (A)  | (B) | (C) | (D) | (E) | (F) |   |   |
| 1   | 1    | 23876-010000 | PLUG, R01   | 1    |     |     |     |     |     |   |   |

OCC50-M01460 ENGINE  
 Fig.15. COVER

OCC50-M01460 Fig.15

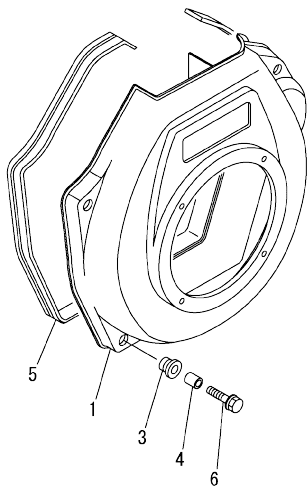
(A)=L100V6FF1P1AAFT  
 (B)=  
 (C)=

(D)=  
 (E)=  
 (F)=



| No. | Lev. | Parts No.    | Description          | Q'ty |     |     |     |     |     | I | R |
|-----|------|--------------|----------------------|------|-----|-----|-----|-----|-----|---|---|
|     |      |              |                      | (A)  | (B) | (C) | (D) | (E) | (F) |   |   |
| 1   | 1    | 114310-45210 | COVER ASSY, TOP      | 1    |     |     |     |     |     |   |   |
| 2   | 2    | 114210-07200 | LABEL, DECOMPRESSION | 1    |     |     |     |     |     |   |   |
| 3   | 2    | 114299-45220 | GROMMET, TANK        | 4    |     |     |     |     |     |   |   |
| 4   | 2    | 114310-45320 | COVER, TOP           | 1    |     |     |     |     |     |   |   |
| 5   | 3    | 114310-45310 | ACOUSTIC ABSORBENT   | 1    |     |     |     |     |     |   |   |
| 7   | 2    | 114399-45340 | COLLAR               | 4    |     |     |     |     |     |   |   |
| 8   | 1    | 114299-45220 | GROMMET, TANK        | 1    |     |     |     |     |     |   |   |
| 9   | 1    | 114310-45260 | COVER, SIDE B        | 1    |     |     |     |     |     |   |   |
| 10  | 1    | 114310-45270 | COVER, SIDE A        | 1    |     |     |     |     |     |   |   |
| 11  | 1    | 114399-45320 | RUBBER, SEAL         | 1    |     |     |     |     |     |   |   |
| 12  | 1    | 114399-45340 | COLLAR               | 1    |     |     |     |     |     |   |   |
| 13  | 1    | 114310-45350 | SPACER, TOP COVER    | 1    |     |     |     |     |     |   |   |
| 14  | 1    | 114310-45360 | STUD, M6X77          | 1    |     |     |     |     |     |   |   |
| 15  | 1    | 26106-060082 | BOLT, M6X 8 PLATED   | 4    |     |     |     |     |     |   |   |
| 16  | 1    | 26106-060202 | BOLT, M6X 20 PLATED  | 4    |     |     |     |     |     |   |   |
| 17  | 1    | 26366-060002 | NUT, M6              | 1    |     |     |     |     |     |   |   |

Fig.16. COOLING FAN CASE



(A)=L100V6FF1P1AAFT  
(B)=  
(C)=

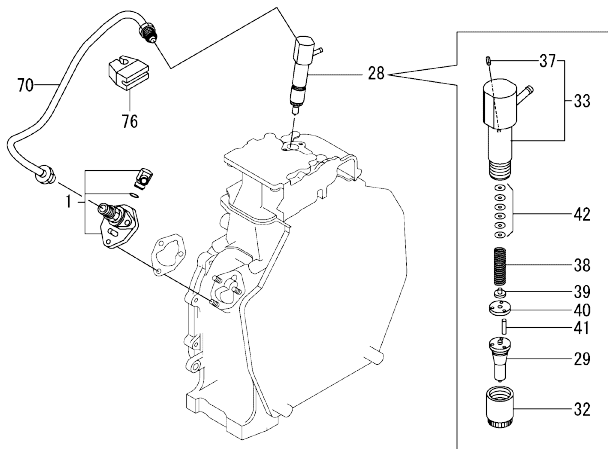
(D)=  
(E)=  
(F)=

| No. | Lev. | Parts No.    | Description       | Q'ty |     |     |     |     |     | I | R |
|-----|------|--------------|-------------------|------|-----|-----|-----|-----|-----|---|---|
|     |      |              |                   | (A)  | (B) | (C) | (D) | (E) | (F) |   |   |
| 1   | 1    | 114310-45150 | CASE, COOLING FAN | 1    |     |     |     |     |     |   |   |
| 3   | 1    | 114299-45301 | RUBBER, FAN CASE  | 4    |     |     |     |     |     |   |   |
| 4   | 1    | 114299-45310 | COLLAR, FAN CASE  | 4    |     |     |     |     |     |   |   |
| 5   | 1    | 114699-45331 | SEAL, FAN CASE    | 1    |     |     |     |     |     |   |   |
| 6   | 1    | 114299-45350 | BOLT, FAN CASE    | 4    |     |     |     |     |     |   |   |

Fig.17. FUEL INJECTION PUMP & FUEL INJECTION VALVE

(A)=L100V6FF1P1AAFT  
(B)=  
(C)=

(D)=  
(E)=  
(F)=

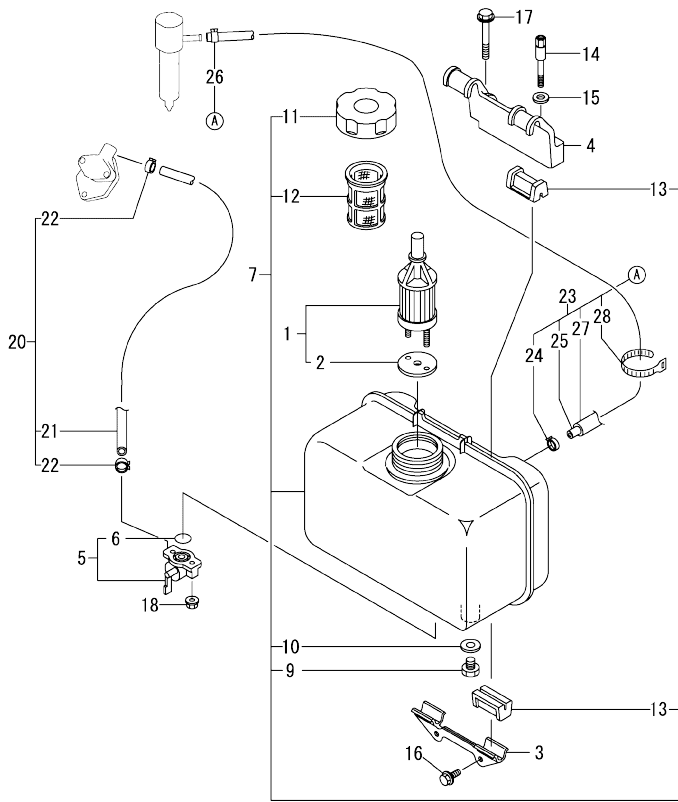


| No. | Lev. | Parts No.    | Description           | Q'ty |     |     |     |     |     | I | R |
|-----|------|--------------|-----------------------|------|-----|-----|-----|-----|-----|---|---|
|     |      |              |                       | (A)  | (B) | (C) | (D) | (E) | (F) |   |   |
| 1   | 1    | 714349-51400 | PUMP ASSY, INJECTION  | 1    |     |     |     |     |     |   | 1 |
| 28  | 1    | 714349-53100 | VALVE ASSY, INJECTION | 1    |     |     |     |     |     |   |   |
| 29  | 2    | 114349-53000 | VALVE ASSY, INJECTION | 1    |     |     |     |     |     |   |   |
| 32  | 2    | 114250-53080 | NUT, NOZZLE           | 1    |     |     |     |     |     |   |   |
| 33  | 2    | 114339-53100 | HOLDER ASSY, NOZZLE   | 1    |     |     |     |     |     |   |   |
| 37  | 3    | 22351-025005 | PIN, SPRING 2.5X 6    | 1    |     |     |     |     |     |   |   |
| 38  | 2    | 114250-53120 | SPRING, NOZZLE        | 1    |     |     |     |     |     |   |   |
| 39  | 2    | 114250-53130 | SEAT, SPRING          | 1    |     |     |     |     |     |   |   |
| 40  | 2    | 114250-53140 | SPACER, VALVE STOP    | 1    |     |     |     |     |     |   |   |
| 41  | 2    | 114250-53210 | PIN, POSITIONING      | 2    |     |     |     |     |     |   |   |
| 42  | 2    | 119803-53400 | SHIM SET              | 1    |     |     |     |     |     |   |   |
| 70  | 1    | 114310-59800 | PIPE ASSY, INJECTION  | 1    |     |     |     |     |     |   |   |
| 76  | 1    | 114699-59850 | SUPPORT, PIPE         | 1    |     |     |     |     |     |   |   |

Remarks

(1) On a guarantee of quality, component parts shall not be sold.

Fig.18. FUEL TANK & FUEL PIPE



(A)=L100V6FF1P1AAFT  
(B)=  
(C)=

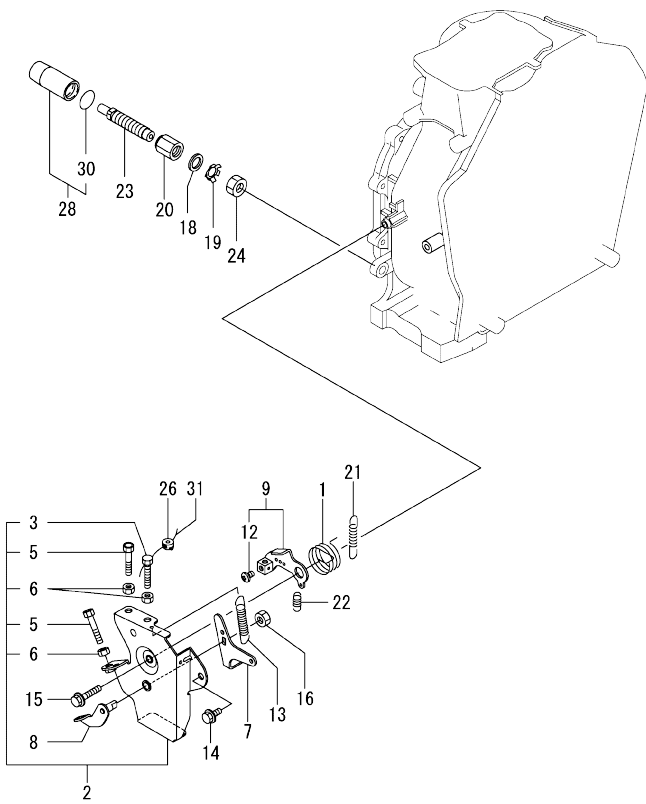
(D)=  
(E)=  
(F)=

| No.  | Lev. | Parts No.                   | Description          | Q'ty |     |     |     |     |     | I | R |
|------|------|-----------------------------|----------------------|------|-----|-----|-----|-----|-----|---|---|
|      |      |                             |                      | (A)  | (B) | (C) | (D) | (E) | (F) |   |   |
| 1    | 1    | 114250-55122                | FILTER ASSY,FUEL OIL | 1    |     |     |     |     |     |   |   |
| 2    | 2    | 114250-55130                | GASKET               | 1    |     |     |     |     |     |   |   |
| 3    | 1    | 114210-55210                | STAY, FUEL TANK A    | 1    |     |     |     |     |     |   |   |
| 4    | 1    | 114310-55230                | STAY, FUEL TANK B    | 1    |     |     |     |     |     |   |   |
| 5    | 1    | 114240-55300                | COCK ASSY, FUEL      | 1    |     |     |     |     |     |   |   |
| 6    | 2    | 24311-000125                | O-RING, 1AP12,5      | 1    |     |     |     |     |     |   |   |
| 7    | 1    | 11431C-55710                | TANK ASSY, FUEL      | 1    |     |     |     |     |     |   |   |
| 7-1  | 1    | 11432C-55710<br>(A=EM57796) | TANK ASSY, FUEL OIL  | 1    |     |     |     |     |     |   | N |
| 9    | 2    | 114299-55080                | PLUG, DRAIN          | 1    |     |     |     |     |     |   |   |
| 10   | 2    | 23414-080000                | GASKET, 8X1,0        | 1    |     |     |     |     |     |   |   |
| 11   | 2    | 114299-55040                | CAP ASSY, FUEL TANK  | 1    |     |     |     |     |     |   |   |
| 12   | 2    | 114299-55110                | STRAINER, FUEL TANK  | 1    |     |     |     |     |     |   |   |
| 13   | 2    | 114250-55201                | DAMPER, FUEL TANK    | 4    |     |     |     |     |     |   |   |
| 13-1 | 2    | 114740-55200<br>(A=EM57796) | DAMPER, FUEL TANK    | 4    |     |     |     |     |     |   | N |
| 14   | 1    | 114210-55810                | BOLT, LIFTING        | 1    |     |     |     |     |     |   |   |
| 15   | 1    | 22117-080000                | WASHER, 8            | 1    |     |     |     |     |     |   |   |
| 16   | 1    | 26106-060162                | BOLT, M6X 16 PLATED  | 2    |     |     |     |     |     |   |   |
| 17   | 1    | 26106-080452                | BOLT, M8X 45 PLATED  | 1    |     |     |     |     |     |   |   |
| 18   | 1    | 26366-060002                | NUT, M6              | 2    |     |     |     |     |     |   |   |
| 20   | 1    | 114780-59010                | PIPE ASSY, FUEL L50  | 1    |     |     |     |     |     |   |   |
| 21   | 2    | 114780-59060                | PIPE, FUEL L=50      | 1    |     |     |     |     |     |   |   |
| 22   | 2    | 23080-014000                | CLAMP, 14            | 2    |     |     |     |     |     |   |   |
| 23   | 1    | 114339-59300                | PIPE ASSY, RETURN    | 1    |     |     |     |     |     |   |   |
| 23-1 | 1    | 114339-59301<br>(A=EM58711) | PIPE ASSY, FO RETURN | 1    |     |     |     |     |     |   | N |
| 24   | 2    | 124722-59050                | CLAMP, HOSE 9        | 1    |     |     |     |     |     |   |   |
| 25   | 2    | 114310-59060                | PIPE, FUEL RETURN    | 1    |     |     |     |     |     |   |   |
| 25-1 | 2    | 114310-59061<br>(A=EM58711) | PIPE, FO RETURN      | 1    |     |     |     |     |     |   | N |
| 26   | 2    | 124066-59100                | CLAMP, HOSE 8        | 1    |     |     |     |     |     |   |   |
| 27   | 2    | 114310-59310                | HOSE, PROTECTION     | 1    |     |     |     |     |     |   |   |
| 28   | 2    | 121750-59890                | BAND, NYLON          | 1    |     |     |     |     |     |   |   |

Fig.19. CONTROL DEVICE

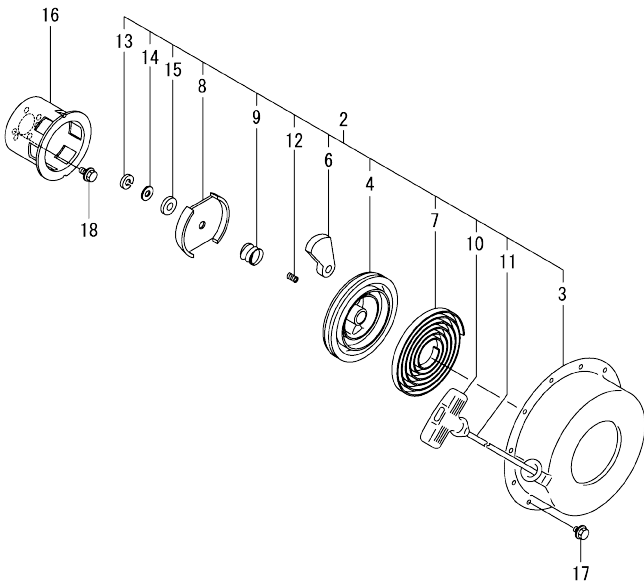
(A)=L100V6FF1P1AAFT  
(B)=  
(C)=

(D)=  
(E)=  
(F)=



| No. | Lev. | Parts No.    | Description          | Q'ty |     |     |     |     |     | I | R |
|-----|------|--------------|----------------------|------|-----|-----|-----|-----|-----|---|---|
|     |      |              |                      | (A)  | (B) | (C) | (D) | (E) | (F) |   |   |
| 1   | 1    | 114299-66250 | SPRING, RETURN       | 1    |     |     |     |     |     |   |   |
| 2   | 1    | 714299-66901 | CONTROL ASSY, SPEED  | 1    |     |     |     |     |     |   |   |
| 3   | 2    | 114299-66440 | BOLT, ADJUSTER       | 1    |     |     |     |     |     |   |   |
| 5   | 2    | 114299-67080 | BOLT, ADJUST         | 2    |     |     |     |     |     |   |   |
| 6   | 2    | 26857-060002 | NUT, M6              | 3    |     |     |     |     |     |   |   |
| 7   | 1    | 114299-66920 | LEVER, STOP INNER    | 1    |     |     |     |     |     |   |   |
| 8   | 1    | 114299-66932 | LEVER, STOP OUTER    | 1    |     |     |     |     |     |   |   |
| 9   | 1    | 114299-66940 | LEVER ASSY,REGULATOR | 1    |     |     |     |     |     |   |   |
| 12  | 2    | 26117-050089 | BOLT, M5X 8 PLATED   | 1    |     |     |     |     |     |   |   |
| 13  | 1    | 114310-66950 | SPRING, STOPPER      | 1    |     |     |     |     |     |   |   |
| 14  | 1    | 26106-060142 | BOLT, M6X 14 PLATED  | 1    |     |     |     |     |     |   |   |
| 15  | 1    | 26106-060302 | BOLT, M6X 30 PLATED  | 1    |     |     |     |     |     |   |   |
| 16  | 1    | 26757-080002 | NUT, LOCK M8         | 1    |     |     |     |     |     |   |   |
| 18  | 1    | 114295-61810 | WASHER, PLAIN 14     | 1    |     |     |     |     |     |   |   |
| 19  | 1    | 114771-61830 | PLATE                | 1    |     |     |     |     |     |   |   |
| 20  | 1    | 114295-61940 | NUT, PROTECTOR M14   | 1    |     |     |     |     |     |   |   |
| 21  | 1    | 114310-66010 | SPRING, REGULATOR    | 1    |     |     |     |     |     |   |   |
| 22  | 1    | 114299-66201 | SPRING, RETURN       | 1    |     |     |     |     |     |   |   |
| 23  | 1    | 114771-66600 | LIMITER ASSY, FUEL   | 1    |     |     |     |     |     |   |   |
| 24  | 1    | 114295-66690 | NUT, LOCK M14        | 1    |     |     |     |     |     |   |   |
| 26  | 1    | 114780-61090 | TIN                  | 1    |     |     |     |     |     |   |   |
| 28  | 1    | 114295-61980 | PROTECTOR ASSY       | 1    |     |     |     |     |     |   |   |
| 30  | 2    | 24311-000180 | O-RING, 1AP18,0      | 1    |     |     |     |     |     |   |   |
| 31  | 1    | 22451-060000 | WIRE, 0.6            | 1    |     |     |     |     |     |   |   |

Fig.20. RECOIL STARTER



(A)=L100V6FF1P1AAFT  
(B)=  
(C)=

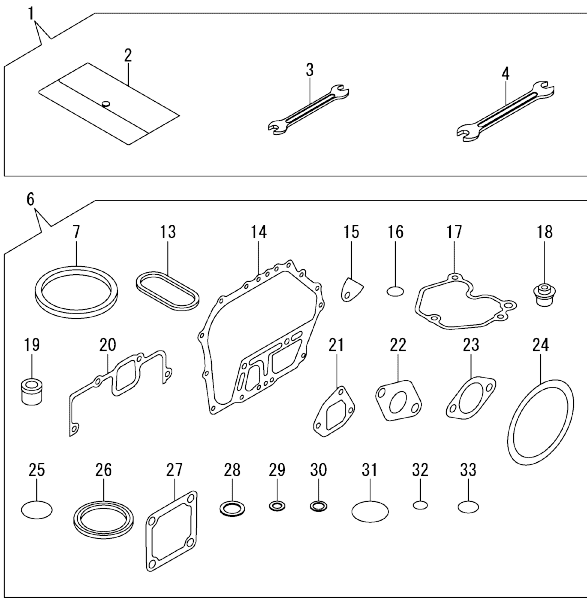
(D)=  
(E)=  
(F)=

| No. | Lev. | Parts No.    | Description          | Q'ty |     |     |     |     |     | I | R |
|-----|------|--------------|----------------------|------|-----|-----|-----|-----|-----|---|---|
|     |      |              |                      | (A)  | (B) | (C) | (D) | (E) | (F) |   |   |
| 2   | 2    | 114699-76251 | STARTER ASSY, RECOIL | 1    |     |     |     |     |     |   |   |
| 3   | 3    | 114699-76510 | CASE, STARTER        | 1    |     |     |     |     |     |   |   |
| 4   | 3    | 114699-76521 | REEL, RECOIL STARTER | 1    |     |     |     |     |     |   |   |
| 6   | 3    | 114699-76531 | RATCHET              | 2    |     |     |     |     |     |   |   |
| 7   | 3    | 114399-76540 | SPRING, SPIRAL       | 1    |     |     |     |     |     |   |   |
| 8   | 3    | 114699-76551 | GUIDE, RATCHET       | 1    |     |     |     |     |     |   |   |
| 9   | 3    | 114699-76560 | SPRING, FRICTION     | 1    |     |     |     |     |     |   |   |
| 10  | 3    | 114399-76620 | KNOB, STARTER        | 1    |     |     |     |     |     |   |   |
| 11  | 3    | 114699-76630 | ROPE, STARTER        | 1    |     |     |     |     |     |   |   |
| 12  | 3    | 114699-76650 | SPRING, COMPRESSION  | 1    |     |     |     |     |     |   |   |
| 13  | 3    | 114699-76660 | RING, RETAINING      | 1    |     |     |     |     |     |   |   |
| 14  | 3    | 114699-76670 | WASHER               | 1    |     |     |     |     |     |   |   |
| 15  | 3    | 114699-76680 | WASHER               | 1    |     |     |     |     |     |   |   |
| 16  | 2    | 114699-76592 | PULLEY, STARTER      | 1    |     |     |     |     |     |   |   |
| 17  | 1    | 26106-060082 | BOLT, M6X 8 PLATED   | 4    |     |     |     |     |     |   |   |
| 18  | 1    | 26106-060122 | BOLT, M6X 12 PLATED  | 3    |     |     |     |     |     |   |   |

Fig.21. GASKET SET & TOOL

(A)=L100V6FF1P1AAFT  
(B)=  
(C)=

(D)=  
(E)=  
(F)=



| No. | Lev. | Parts No.    | Description          | Q'ty |     |     |     |     |     | I | R |
|-----|------|--------------|----------------------|------|-----|-----|-----|-----|-----|---|---|
|     |      |              |                      | (A)  | (B) | (C) | (D) | (E) | (F) |   |   |
| 1   | 1    | 114299-92590 | TOOL ASSY            | 1    |     |     |     |     |     |   |   |
| 2   | 2    | 114299-92800 | BAG, TOOL            | 1    |     |     |     |     |     |   |   |
| 3   | 2    | 114299-92710 | WRENCH               | 1    |     |     |     |     |     |   |   |
| 4   | 2    | 114299-92720 | WRENCH               | 1    |     |     |     |     |     |   |   |
| 6   | 1    | 114320-92600 | GASKET SET           | 1    |     |     |     |     |     |   | 1 |
| 7   | 2    | 114695-01331 | GASKET, HEAD         | 1    |     |     |     |     |     |   |   |
| 13  | 2    | 114699-01380 | O-RING, TAPPET       | 1    |     |     |     |     |     |   |   |
| 14  | 2    | 114699-01410 | GASKET, CASE COVER   | 1    |     |     |     |     |     |   |   |
| 15  | 2    | 114250-01841 | GASKET, COVER        | 1    |     |     |     |     |     |   |   |
| 16  | 2    | 114299-01950 | O-RING, 18           | 2    |     |     |     |     |     |   |   |
| 17  | 2    | 114310-11310 | GASKET, BONNET       | 1    |     |     |     |     |     |   |   |
| 18  | 2    | 114650-11341 | SEAL, VALVE STEM     | 2    |     |     |     |     |     |   |   |
| 19  | 2    | 114771-11461 | GASKET, NOZZLE       | 1    |     |     |     |     |     |   |   |
| 20  | 2    | 114310-12210 | GASKET, AIR CLEANER  | 1    |     |     |     |     |     |   |   |
| 21  | 2    | 114699-12210 | GASKET, AIR CLEANER  | 2    |     |     |     |     |     |   |   |
| 22  | 2    | 114310-13200 | GASKET, MUFFLER      | 1    |     |     |     |     |     |   |   |
| 23  | 2    | 183671-13211 | GASKET, MUFFLER PIPE | 1    |     |     |     |     |     |   |   |
| 24  | 2    | 114399-21980 | GASKET               | 1    |     |     |     |     |     |   |   |
| 25  | 2    | 114299-32570 | O-RING, PUMP COVER   | 1    |     |     |     |     |     |   |   |
| 26  | 2    | 160393-55050 | GASKET               | 4    |     |     |     |     |     |   |   |
| 27  | 2    | 129100-77510 | GASKET, AIR HEATER   | 3    |     |     |     |     |     |   |   |
| 28  | 2    | 22190-160002 | WASHER, SEAL 16      | 2    |     |     |     |     |     |   |   |
| 29  | 2    | 23414-080000 | GASKET, 8X1.0        | 1    |     |     |     |     |     |   |   |
| 30  | 2    | 23414-120000 | GASKET, 12X1.0       | 1    |     |     |     |     |     |   |   |
| 31  | 2    | 24311-000400 | O-RING, 1AP40.0      | 1    |     |     |     |     |     |   |   |
| 32  | 2    | 24341-000150 | O-RING, 1AS15.0      | 2    |     |     |     |     |     |   |   |
| 33  | 2    | 24341-000224 | O-RING, 1AS22.4      | 1    |     |     |     |     |     |   |   |

Remarks

(1)Optional parts.



## Parts No. Index

| Parts No.    | Fig. No. | Ref. No. | Parts No.    | Fig. No. | Ref. No. | Parts No.    | Fig. No. | Ref. No. | Parts No.    | Fig. No. | Ref. No. |
|--------------|----------|----------|--------------|----------|----------|--------------|----------|----------|--------------|----------|----------|
| 104211-11370 | 5        | 27       | 114299-35150 | 1        | 38       | 114310-45260 | 15       | 9        | 114650-02200 | 1        | 40       |
| 114210-03590 | 5        | 39       | 114299-45220 | 15       | 3        | 114310-45270 | 15       | 10       | 114650-02210 | 1        | 41       |
| 114210-07120 | 4        | 4        |              |          | 8        | 114310-45310 | 15       | 5        | 114650-11341 | 5        | 26       |
| 114210-07130 | 4        | 5        | 114299-45301 | 16       | 3        | 114310-45320 | 15       | 4        |              | 21       | 18       |
| 114210-07200 | 15       | 2        | 114299-45310 | 16       | 4        | 114310-45350 | 15       | 13       | 114650-32010 | 13       | 1        |
| 114210-11901 | 5        | 31       | 114299-45350 | 16       | 6        | 114310-45360 | 15       | 14       | 114695-01331 | 1        | 5        |
| 114210-12500 | 6        | 8        | 114299-55040 | 18       | 11       | 114310-55230 | 18       | 4        |              | 21       | 7        |
| 114210-12560 | 6        | 12       | 114299-55080 | 18       | 9        | 114310-59060 | 18       | 25       | 114699-01380 | 1        | 11       |
| 114210-12590 | 6        | 13       | 114299-55110 | 18       | 12       | 114310-59061 | 18       | 25       |              | 21       | 13       |
| 114210-12600 | 6        | 16       | 114299-61190 | 13       | 17       | 114310-59310 | 18       | 27       | 114699-01410 | 1        | 32       |
| 114210-12610 | 6        | 11       | 114299-61600 | 13       | 38       | 114310-59800 | 17       | 70       |              | 21       | 14       |
| 114210-14300 | 8        | 2        | 114299-66201 | 19       | 22       | 114310-61500 | 13       | 18       | 114699-01760 | 3        | 2        |
| 114210-55210 | 18       | 3        | 114299-66250 | 19       | 1        | 114310-66010 | 19       | 21       | 114699-11600 | 5        | 30       |
| 114210-55810 | 18       | 14       | 114299-66440 | 19       | 3        | 114310-66950 | 19       | 13       | 114699-12210 | 21       | 21       |
| 114210-61290 | 13       | 41       | 114299-66920 | 19       | 7        | 114311-01450 | 1        | 33       | 114699-21220 | 10       | 1        |
| 114240-11450 | 5        | 28       | 114299-66932 | 19       | 8        | 11431C-11100 | 5        | 8        | 114699-21550 | 10       | 2        |
| 114240-11550 | 5        | 29       | 114299-66940 | 19       | 9        | 11431C-11110 | 5        | 9        | 114699-21600 | 10       | 3        |
| 114240-55300 | 18       | 5        | 114299-67080 | 19       | 5        | 11431C-11250 | 5        | 14       | 114699-21630 | 10       | 6        |
| 114250-01841 | 1        | 25       | 114299-92590 | 21       | 1        | 11431C-11260 | 5        | 15       | 114699-22300 | 11       | 9        |
|              | 21       | 15       | 114299-92600 | 21       | 2        | 11431C-11650 | 5        | 16       | 114699-45331 | 16       | 5        |
| 114250-11240 | 5        | 18       | 114299-92710 | 21       | 3        | 11431C-11660 | 5        | 20       | 114699-59850 | 17       | 76       |
|              |          | 22       | 114299-92720 | 21       | 4        | 11431C-13550 | 7        | 2        | 114699-76251 | 20       | 2        |
| 114250-53080 | 17       | 32       | 114310-01010 | 1        | 1        | 11431C-13560 | 7        | 3        | 114699-76510 | 20       | 3        |
| 114250-53120 | 17       | 38       | 114310-01200 | 5        | 1        | 11431C-13700 | 7        | 4        | 114699-76521 | 20       | 4        |
| 114250-53130 | 17       | 39       | 114310-01210 | 5        | 2        | 11431C-13710 | 7        | 5        | 114699-76531 | 20       | 6        |
| 114250-53140 | 17       | 40       | 114310-01450 | 1        | 33       | 11431C-13720 | 7        | 6        | 114699-76551 | 20       | 8        |
| 114250-53210 | 17       | 41       | 114310-11050 | 5        | 3        | 11431C-21760 | 9        | 1        | 114699-76560 | 20       | 9        |
| 114250-55122 | 18       | 1        | 114310-11120 | 5        | 10       | 11431C-55710 | 18       | 7        | 114699-76592 | 20       | 16       |
| 114250-55130 | 18       | 2        | 114310-11180 | 5        | 11       | 114320-13800 | 7        | 12       | 114699-76630 | 20       | 11       |
| 114250-55201 | 18       | 13       | 114310-11290 | 5        | 25       | 114320-22140 | 11       | 13       | 114699-76650 | 20       | 12       |
| 114295-61810 | 19       | 18       | 114310-11310 | 5        | 36       | 114320-22150 | 11       | 19       | 114699-76660 | 20       | 13       |
| 114295-61940 | 19       | 20       |              |          | 21       | 114320-22160 | 11       | 3        | 114699-76670 | 20       | 14       |
| 114295-61980 | 19       | 28       | 114310-11930 | 5        | 12       | 114320-92600 | 21       | 6        | 114699-76680 | 20       | 15       |
| 114295-66690 | 19       | 24       | 114310-11950 | 5        | 37       | 11432C-23700 | 11       | 24       | 114740-55200 | 18       | 13       |
| 114299-01600 | 1        | 12       | 114310-12010 | 6        | 4        | 11432C-55710 | 18       | 7        | 114770-61520 | 13       | 37       |
| 114299-01690 | 3        | 1        | 114310-12210 | 6        | 1        | 114339-53100 | 17       | 33       | 114770-61610 | 13       | 39       |
| 114299-01800 | 1        | 13       |              |          | 21       | 114339-59300 | 18       | 23       | 114771-11461 | 21       | 19       |
| 114299-01830 | 1        | 24       | 114310-12511 | 6        | 3        | 114339-59301 | 18       | 23       | 114771-61830 | 19       | 19       |
| 114299-01950 | 3        | 4        | 114310-13200 | 7        | 1        | 114349-53000 | 17       | 29       | 114771-66600 | 19       | 23       |
|              | 21       | 16       |              |          | 21       | 114399-01700 | 3        | 8        | 114780-59010 | 18       | 20       |
| 114299-02030 | 1        | 43       | 114310-14200 | 8        | 1        | 114399-21960 | 2        | 1        | 114780-59060 | 18       | 21       |
| 114299-03640 | 5        | 42       | 114310-14400 | 8        | 7        | 114399-21980 | 2        | 2        | 114780-61090 | 19       | 26       |
| 114299-07101 | 4        | 2        | 114310-14580 | 8        | 8        |              |          |          | 114940-01870 | 3        | 5        |
| 114299-07111 | 4        | 3        | 114310-22040 | 11       | 11       | 114399-45320 | 15       | 11       | 114940-02110 | 1        | 36       |
| 114299-07160 | 4        | 6        | 114310-22050 | 11       | 17       | 114399-45340 | 15       | 7        | 114940-02200 | 1        | 40       |
| 114299-12300 | 6        | 2        | 114310-22060 | 11       | 1        |              |          |          | 114940-02210 | 1        | 41       |
| 114299-32070 | 13       | 7        | 114310-22500 | 11       | 10       | 114399-76540 | 20       | 7        | 114940-23600 | 11       | 29       |
| 114299-32570 | 13       | 8        | 114310-23200 | 11       | 28       | 114399-76620 | 20       | 10       | 114940-23610 | 11       | 31       |
|              | 21       | 25       | 114310-45150 | 16       | 1        | 114650-02100 | 1        | 36       | 114940-23620 | 11       | 33       |
| 114299-35110 | 13       | 12       | 114310-45210 | 15       | 1        | 114650-02150 | 1        | 44       | 114940-23910 | 11       | 35       |

## Parts No. Index

| Parts No.    | Fig. No. | Ref. No. |
|--------------|----------|----------|
| 119803-53400 | 17       | 42       |
| 121750-59890 | 18       | 28       |
| 124066-59100 | 18       | 26       |
| 124722-59050 | 18       | 24       |
| 129100-77510 | 21       | 27       |
| 160110-01870 | 3        | 5        |
| 160393-55050 | 21       | 26       |
| 183671-13211 | 21       | 23       |
| 22117-080000 | 18       | 15       |
| 22190-160002 | 3        | 6        |
|              | 21       | 28       |
| 22242-000150 | 5        | 24       |
| 22312-030160 | 5        | 45       |
|              | 13       | 9        |
| 22312-040080 | 1        | 26       |
| 22322-030200 | 13       | 30       |
|              |          | 35       |
| 22351-025005 | 17       | 37       |
| 22351-040008 | 5        | 32       |
| 22451-060000 | 19       | 31       |
| 22512-050140 | 10       | 7        |
| 23080-014000 | 18       | 22       |
| 23414-080000 | 18       | 10       |
|              | 21       | 29       |
| 23414-120000 | 21       | 30       |
| 23875-020000 | 1        | 27       |
| 23876-010000 | 14       | 1        |
| 24101-063040 | 12       | 6        |
| 24162-152220 | 1        | 45       |
| 24311-000125 | 18       | 6        |
| 24311-000180 | 19       | 30       |
| 24311-000400 | 21       | 31       |
| 24341-000150 | 21       | 32       |
| 24341-000224 | 13       | 14       |
|              | 21       | 33       |
| 24423-355008 | 1        | 46       |
|              |          | 47       |
| 26106-060082 | 15       | 15       |
|              | 20       | 17       |
| 26106-060122 | 13       | 10       |
|              | 20       | 18       |
| 26106-060142 | 19       | 14       |
| 26106-060162 | 13       | 15       |
|              | 18       | 16       |
| 26106-060202 | 15       | 16       |
| 26106-060302 | 19       | 15       |
| 26106-060402 | 6        | 18       |
| 26106-060652 | 5        | 49       |
| 26106-080122 | 1        | 48       |
| 26106-080202 | 7        | 7        |

| Parts No.    | Fig. No. | Ref. No. |
|--------------|----------|----------|
| 26106-080352 | 1        | 39       |
| 26106-080452 | 18       | 17       |
| 26106-100122 | 3        | 9        |
| 26117-050089 | 19       | 12       |
| 26216-080182 | 7        | 9        |
| 26226-060182 | 1        | 28       |
| 26226-060222 | 1        | 29       |
| 26226-060352 | 6        | 19       |
| 26226-060552 | 5        | 33       |
| 26306-080002 | 7        | 10       |
| 26366-060002 | 1        | 30       |
|              | 5        | 34       |
|              | 15       | 17       |
|              | 18       | 18       |
| 26453-080252 | 2        | 3        |
| 26757-080002 | 19       | 16       |
| 26856-060002 | 5        | 19       |
|              |          | 23       |
| 26857-060002 | 19       | 6        |
| 714210-61701 | 13       | 40       |
| 714299-66901 | 19       | 2        |
| 714310-28510 | 12       | 1        |
| 71431C-23010 | 11       | 24       |
| 714349-51400 | 17       | 1        |
| 714349-53100 | 17       | 28       |
| 714650-23600 | 11       | 29       |
| 714650-23610 | 11       | 31       |
| 714650-23620 | 11       | 33       |

| Parts No. | Fig. No. | Ref. No. |
|-----------|----------|----------|
|-----------|----------|----------|

| Parts No. | Fig. No. | Ref. No. |
|-----------|----------|----------|
|-----------|----------|----------|