

OCR10-M63100EN

# Introduction

1. This parts catalog is a first edition of the L100V6CA1T1AA Diesel engine.

	Parts catalog No.	Date of issue	Remarks
First edition	000Y00R6310	Mar., 2005	

2. This parts catalog does not contain the technical data needed for maintenance service.

3. The illustrations used in this parts catalog have been simplified for clarity.

4. The contents of this parts catalog are subject to change without notice.

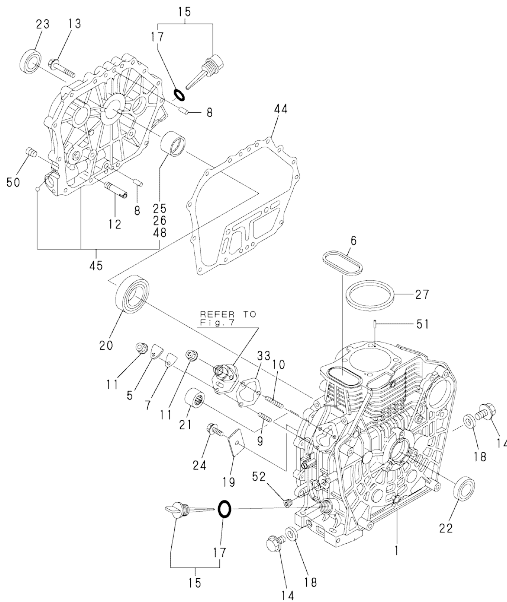
5. Be sure to use only Yanmar genuine parts for repairs. If imitation parts are used, it may cause engine defects.

## Contents

OCR10-M63100

Fig. No.	Fig. Name	Fig. No.	Fig. Name
L100V6CA1T1AA			
1.	CYLINDER BLOCK		
2.	CYLINDER HEAD & BONNET		
3.	AIR CLEANER & MUFFLER		
4.	CRANKSHAFT,PISTON & CAMSHAFT		
5.	LUB.OIL PUMP & GOVERNOR		
6.	COOLING & STARTING DEVICE		
7.	FUEL INJECTION PUMP & FUEL INJECTION VALVE		
12.	(7A)FUEL INJECTION PUMP & FUEL INJECTION VALVE		
8.	FUEL TANK & FUEL PIPE		
9.	STARTING MOTOR & DYNAMO(PREVIOUS)		
11.	(9A)STARTING MOTOR & DYNAMO(NEW)		
10.	TOOL,LABEL & GASKET SET		

Fig.1. CYLINDER BLOCK



(A)=L100V6CA1T1AA  
(B)=  
(C)=

(D)=  
(E)=  
(F)=

No.	Lev.	Parts No.	Description	Q'ty						I	R
				(A)	(B)	(C)	(D)	(E)	(F)		
1	1	114310-01010	BLOCK ASSY, CYLINDER	1							
5	1	114299-01830	COVER, PUMP	1							
6	1	114699-01380	O-RING, TAPPET	1							
7	1	114250-01841	GASKET, COVER	1							
8	1	114299-01600	PIN, PARALLEL 8X12	2							
9	1	26226-060182	STUD, M6X 18	1							
10	1	26226-060222	STUD, M6X 22	2							
11	1	26366-060002	NUT, M6	3							
12	1	114299-35150	PIPE, OIL INLET	1							
13	1	26106-080352	BOLT, M8X 35 PLATED	16							
14	1	114299-01690	PLUG, DRAIN 16	2							
15	1	114699-01780	CAP ASSY, OIL SUPPLY	2							
17	2	114299-01950	O-RING, 18	2							
18	1	22190-160002	WASHER, SEAL 16	2							
19	1	114299-02030	RETAINER, BEARING	1							
20	1	114650-02150	BEARING, HR6308G3C3	1							
21	1	24162-152220	BEARING, 152220	1							
22	1	24423-355008	SEAL, OIL TC355008	1							
23	1	24423-355008	SEAL, OIL TC355008	1							
24	1	26106-080122	BOLT, M8X 12 PLATED	1							
25	1	114650-02200	METAL, MAIN 0.25 US	1							
25-1	1	114940-02200	BEARING, MAIN 0.25OS	1						N	4
		(A="2019,07)									
26	1	114650-02210	METAL, MAIN 0.50 US	1							3
26-1	1	114940-02210	BEARING, MAIN 0.50OS	1							N 5
		(A="2019,07)									
27	1	114695-01330	GASKET, HEAD	1							
33	1	114299-01800	SHIM SET, PUMP	1							
44	1	114699-01410	GASKET, CASE COVER	1							
45	1	114310-01450	COVER, CRANK CASE D	1							
45-1	1	114311-01450	COVER, CRANKCASE D	1							N
		(A=EM55221)									
48	2	114650-02100	METAL, MAIN	1							1
48-1	2	114940-02110	BEARING, MAIN	1							N 1
		(A="2019,07)									
50	1	23876-010000	PLUG, R01	1							
51	1	22312-040080	PIN, PARALLEL M4X 8	2							
52	1	23875-020000	PLUG, R02	1							

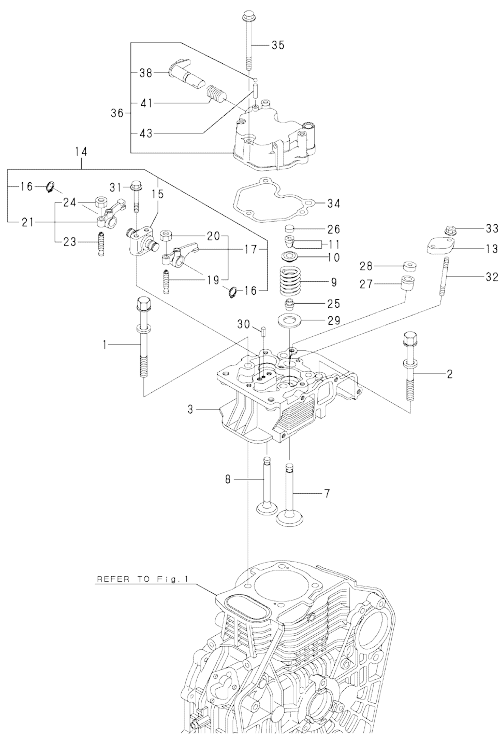
Remarks

- (1)REPAIR PART.
- (2)UNDER SIZED(U.S.=0.25)PART.
- (3)UNDER SIZED(U.S.=0.50)PART.
- (4)Over-sized(O.S.=0.25) parts.
- (5)Over-sized(O.S.=0.50) parts.

Fig.2. CYLINDER HEAD & BONNET

(A)=L100V6CA1T1AA  
(B)=  
(C)=

(D)=  
(E)=  
(F)=



No.	Lev.	Parts No.	Description	Q'ty						I	R
				(A)	(B)	(C)	(D)	(E)	(F)		
1	1	114310-01200	BOLT, CYL.HEAD A	2							
2	1	114310-01210	BOLT, CYL.HEAD B	2							
3	1	114310-11020	HEAD ASSY, CYLINDER	1							
7	1	114310-11100	VALVE, INTAKE	1							
8	1	114310-11110	VALVE, EXHAUST	1							
9	1	114310-11120	SPRING, VALVE	2							
10	1	114310-11180	RETAINER, SPRING	2							
11	1	114310-11930	COTTER ASSY	2							
13	1	114210-11900	RETAINER, NOZZLE	1							
14	1	114310-11250	SUPPORT ASSY, ROCKER	1							
15	2	114310-11260	SUPPORT, ROCKER ARM	1							
16	2	114310-11280	C TYPE RETAINING RIN	2							
17	2	114310-11650	ARM ASSY, INTAKE	1							
19	3	114299-11240	SCREW, ADJUSTING	1							
20	3	26856-060002	NUT, M6	1							
21	2	114310-11660	ARM ASSY, EXHAUST	1							
23	3	114299-11240	SCREW, ADJUSTING	1							
24	3	26856-060002	NUT, M6	1							
25	1	114650-11340	SEAL, VALVE STEM	2							
26	1	104211-11370	CAP, VALVE	2							
27	1	114771-11461	GASKET, NOZZLE	1							
28	1	114295-11470	SPACER, NOZZLE	1							
29	1	114699-11600	WASHER	2							
30	1	22351-040008	PIN, SPRING 4.0X 8	1							
31	1	26106-080502	BOLT, M8X 50 PLATED	2							
32	1	26226-060552	STUD, M6X 55	2							
33	1	26366-060002	NUT, M6	2							
34	1	114310-11310	GASKET, BONNET	1							
35	1	26106-060652	BOLT, M6X 65 PLATED	3							
36	1	114310-11950	BONNET ASSY, HEAD	1							
38	2	114210-03590	DECOMPRESSION ASSY	1							
41	2	114299-03640	SPRING, DECOMPRESSION	1							
43	2	22312-030160	PIN, PARALLEL M3X16	1							

Remarks

(1) This parts is applied up to the following engine number.

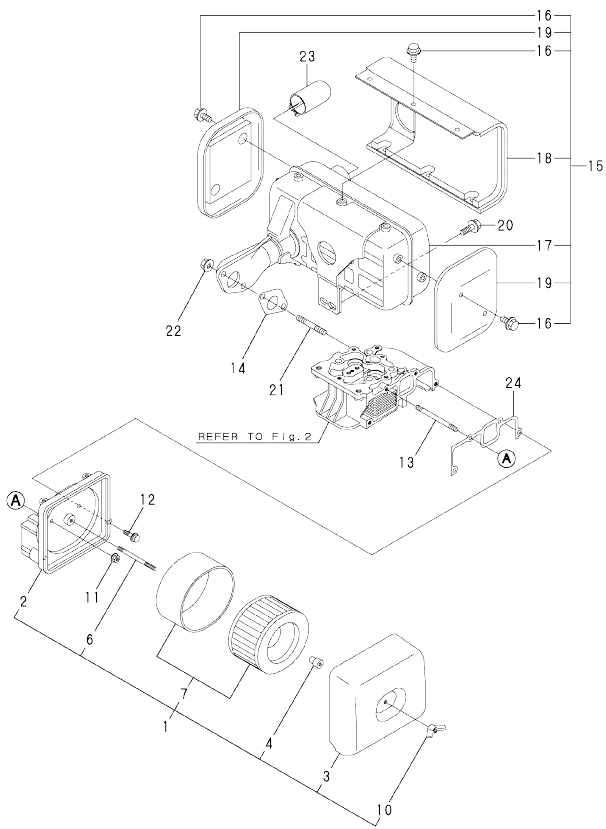
(A)=EM21502

Please refer to Fig.7A since above-mentioned engine number. Interchangeable by simultaneous replacement with Fig.7A No1,27,56,59, 60 when changing to the new model.

Fig.3. AIR CLEANER & MUFFLER

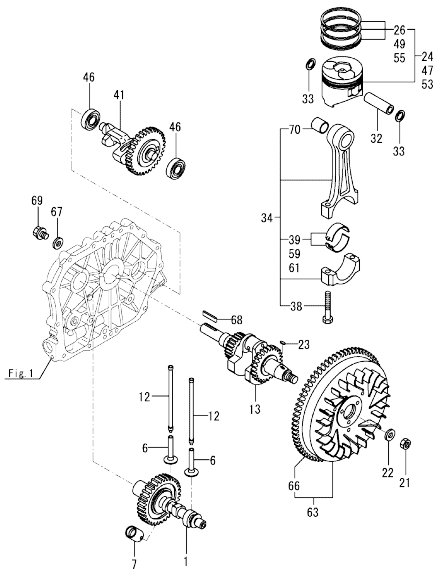
(A)=L100V6CA1T1AA  
(B)=  
(C)=

(D)=  
(E)=  
(F)=



No.	Lev.	Parts No.	Description	Q'ty						I	R
				(A)	(B)	(C)	(D)	(E)	(F)		
1	1	114310-12510	CLEANER ASSY, AIR	1							
2	2	114310-12020	BODY, AIR CLEANER	1							
3	2	114210-12520	COVER, AIR CLEANER	1							
4	2	114210-12560	NUT, WING	1							
6	2	114210-12580	STUD BOLT	1							
7	2	114210-12590	ELEMENT ASSY	1							
10	2	114210-12600	LOCKING KNOB	1							
11	1	114299-12300	NUT	3							
12	1	26106-060402	BOLT, M6X 40 PLATED	1							
13	1	26226-060352	STUD, M6X 35	3							
14	1	114310-13200	GASKET, MUFFLER	1							
15	1	114699-13551	MUFFLER ASSY	1							
16	2	114699-13720	BOLT, M6	10							
17	2	114699-13561	MUFFLER	1							
18	2	114699-13700	COVER A, MUFFLER	1							
19	2	114699-13710	COVER	2							
20	1	26106-080202	BOLT, M8X 20 PLATED	2							
21	1	26216-080182	STUD, M8X 18	2							
22	1	26366-080002	NUT, M8	2							
23	1	114699-13800	PIPE	1							
23-1	1	114320-13800	DEFLECTOR ASSY, EXH	1							N
(A)=EM01467)											
24	1	114310-12210	GASKET, AIR CLEANER	1							

Fig.4. CRANKSHAFT,PISTON & CAMSHAFT



(A)=L100V6CA1T1AA  
(B)=  
(C)=

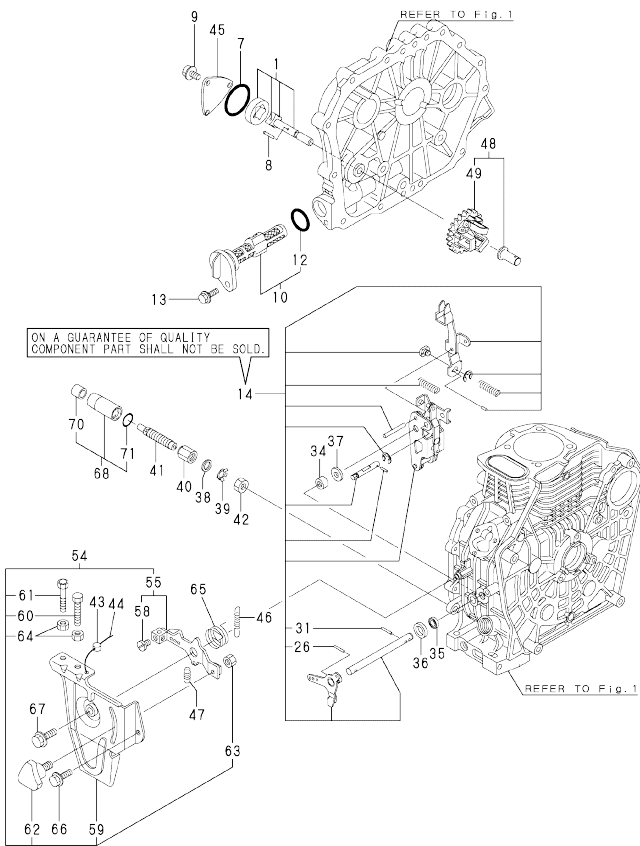
(D)=  
(E)=  
(F)=

No.	Lev.	Parts No.	Description	Q'ty						I	R
				(A)	(B)	(C)	(D)	(E)	(F)		
1	1	714310-14580	CAMSHAFT ASSY	1							
6	1	114310-14200	TAPPET	2							
7	1	114210-14300	TAPPET ASSY, ROLLER	1							
12	1	114310-14400	ROD ASSY, PUSH	2							
13	1	714310-21700	CRANKSHAFT ASSY, E-D	1							
21	1	114699-21220	NUT, WHEEL	1							
22	1	114699-21550	WASHER, FLYWHEEL	1							
23	1	22512-050140	KEY, 5X 14	1							
24	1	114310-22060	PISTON W/RING, D	1							
26	2	114320-22160	RING SET, PISTON	1							
32	1	114699-22300	PIN, PISTON D=23	1							
33	1	129792-22400	CIRCLIP, 23	2							
34	1	71431C-223010	ROD ASSY, CONNECTING	1							N
34-1	1	11432C-23700	ROD ASSY, CONNECTING	1							N
(A=EM62118)											
38	2	114310-23200	BOLT, CONNECTING ROD	2							
39	2	714650-23600	METAL ASSY, CRANK PIN	1							
39-1	2	114940-23600	METAL ASSY, CRANK PIN	1							N
(A=*2019,10)											
41	1	714310-28510	SHAFT ASSY, BALANCER	1							
46	1	24101-063040	BEARING, BALL 6304C3	2							
47	1	114310-22040	PISTON W/RING, 0.25OS	1							1
49	2	114320-22140	RING, PISTON 0.25 OS	1							1
53	1	114310-22050	PISTON W/RING, 0.50OS	1							2
55	2	114320-22150	RING, PISTON 0.50 OS	1							2
59	1	714650-23610	METAL ASSY, PIN .25	1							3
59-1	1	114940-23610	METAL ASSY, PIN .25	1							N 1
(A=*2019,10)											
61	1	714650-23620	METAL ASSY, PIN .50	1							4
61-1	1	114940-23620	METAL ASSY, PIN .50	1							N 2
(A=*2019,10)											
63	1	114699-21590	FLYWHEEL ASSY, DE	1							
66	2	114662-21601	GEAR, RING D	1							
67	1	160842-21280	WASHER, PULLEY	1							
68	1	160842-21150	KEY, FEATHER 6,3X50	1							
69	1	160842-21250	BOLT, 7/16-20UNF	1							
70	1	114940-23910	BUSH, PISTON PINN	1							W 5
(A=*2019,07)											

Remarks

- (1) OVER SIZED (O.S.=0.25) PART.
- (2) OVER SIZED (O.S.=0.50) PART.
- (3) UNDER SIZED (U.S.=0.25) PART.
- (4) UNDER SIZED (U.S.=0.50) PART.
- (5) Spare parts.

Fig.5. LUB.OIL PUMP & GOVERNOR



(A)=L100V6CA1T1AA  
(B)=  
(C)=

(D)=  
(E)=  
(F)=

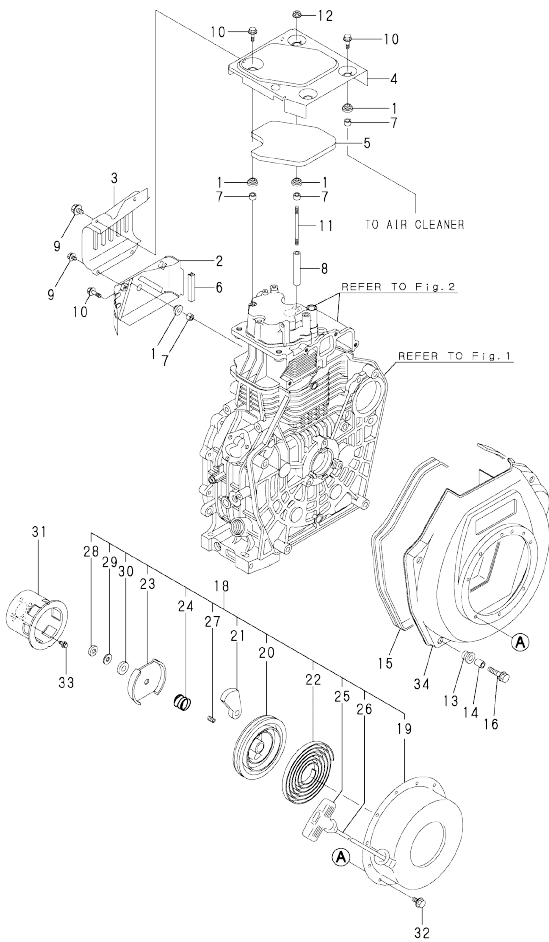
No.	Lev.	Parts No.	Description	Q'ty						I	R
				(A)	(B)	(C)	(D)	(E)	(F)		
1	1	114650-32010	PUMP ASSY, OIL	1							
7	1	114299-32570	O-RING	1							
8	1	22312-030160	PIN, PARALLEL M3X16	1							
9	1	26106-060122	BOLT, M6X 12 PLATED	3							
10	1	114299-35110	FILTER ASSY, OIL	1							
12	2	24341-000224	O-RING, 1AS22.4	1							
13	1	26106-060162	BOLT, M6X 16 PLATED	1							
14	1	114310-61500	LEVER ASSY, GOVERNOR	1							
26	2	22322-030200	PIN, TAPER 3X20	1							
31	2	22322-030200	PIN, TAPER 3X20	1							
34	1	114770-61520	BEARING, NEEDLE	2							
35	1	114299-61600	SEAL, OIL	1							
36	1	114770-61610	WASHER, THRUST	1							
37	1	114299-61190	WASHER	1							
38	1	114771-61810	WASHER, 14	1							
39	1	114771-61830	PLATE	1							
40	1	114295-61940	NUT	1							
41	1	114771-66600	LIMITER ASSY, FUEL	1							
42	1	114771-66690	NUT, M14	1							
43	1	135210-61090	LEAD	1							
44	1	22451-060000	WIRE, 0.6	1							
45	1	114299-32070	COVER	1							
46	1	114310-66010	SPRING, REGULATOR	1							
47	1	114299-66200	SPRING, RETURN	1							
48	1	714210-61700	GOVERNOR ASSY	1							
49	2	114210-61290	WEIGHT ASSY, GOVERNOR	1							
54	1	114210-66500	SPEED CTRL, THAI	1							
55	2	114210-66060	HANDLE ASY, REGULATOR	1							
58	3	26117-050089	BOLT, M5X 8 PLATED	1							
59	2	114210-66100	BRACKET, REGULATOR	1							
60	2	114299-66440	BOLT, ADJUSTING	1							
61	2	114299-67080	BOLT, ADJUSTING	1							
62	2	160725-78350	KNOB	1							
63	2	26347-060002	NUT, M6	1							
64	2	26757-060002	NUT, LOCK M6	2							
65	1	114299-66250	SPRING, RETURN	1							
66	1	26106-060142	BOLT, M6X 14 PLATED	1							
67	1	26106-060202	BOLT, M6X 20 PLATED	1							
68	1	114771-61890	PROTECTOR ASSY	1							
70	2	114771-61960	SPACER	1							
71	2	24311-000180	O-RING, 1AP18.0	1							



Fig.6. COOLING & STARTING DEVICE

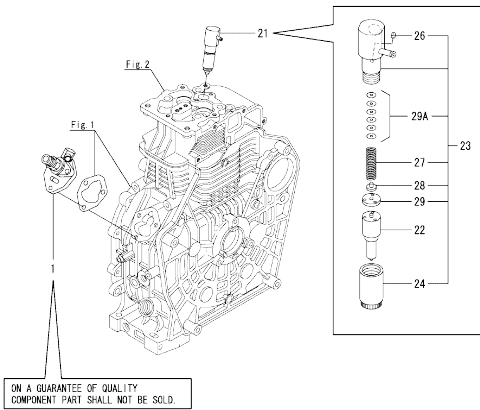
(A)=L100V6CA1T1AA  
(B)=  
(C)=

(D)=  
(E)=  
(F)=



No.	Lev.	Parts No.	Description	Q'ty						I	R
				(A)	(B)	(C)	(D)	(E)	(F)		
1	1	114299-45220	GROMMET	5							
2	1	114310-45260	COVER B, SIDE (13)	1							
3	1	114310-45270	COVER A, SIDE (13)	1							
4	1	114310-45300	COVER, TOP(BLACK)(13)	1							
5	1	114310-45310	DAMPER	1							
6	1	114399-45320	RUBBER, SEAL	1							
7	1	114399-45340	COLLAR	5							
8	1	114310-45350	SPACER, TOP COVER	1							
9	1	26106-060082	BOLT, M6X 8 PLATED	4							
10	1	26106-060202	BOLT, M6X 20 PLATED	4							
11	1	26226-060752	STUD, M6X 75	1							
12	1	26366-060002	NUT, M6	1							
13	1	114299-45300	RUBBER, CUSHION	4							
14	1	114299-45310	COLLAR	4							
15	1	114699-45330	SEAL, FAN CASE	1							
16	1	114299-45350	BOLT, FAN CASE	4							
18	1	114699-76251	RECOIL ASSY	1							
19	2	114699-76510	CASE, STARTER	1							
20	2	114699-76520	REEL	1							
21	2	114699-76531	RATCHET	2							
22	2	114699-76540	SPRING, SPIRAL	1							
23	2	114699-76551	GUIDE, RATCHET	1							
24	2	114699-76560	SPRING, FRICTION	1							
25	2	114699-76620	KNOB, STARTER	1							
26	2	114699-76630	ROPE, STARTER	1							
27	2	114699-76650	SPRING, RETURN	1							
28	2	114699-76660	CIRCLIP	1							
29	2	114699-76670	WASHER	1							
30	2	114699-76680	WASHER	1							
31	1	114699-76592	PULLEY, STARTER	1							
32	1	26106-060082	BOLT, M6X 8 PLATED	4							
33	1	26106-060122	BOLT, M6X 12 PLATED	3							
34	1	114310-45100	FAN CASE(SILVER)(17)	1							

Fig.7. FUEL INJECTION PUMP & FUEL INJECTION VALVE



(A)=L100V6CA1T1AA  
(B)=  
(C)=

(D)=  
(E)=  
(F)=

No.	Lev.	Parts No.	Description	Q'ty						I	R	
				(A)	(B)	(C)	(D)	(E)	(F)			
1	1	714310-51100	PUMP ASSY. F.INJECT.	1								
21	1	714310-53100	FUEL INJECTOR	1								1
22	2	114310-53000	NOZZLE ASSY	1								
23	2	114210-53100	HOLDER ASSY,NOZZLE	1								
24	3	114210-53080	NUT,NOZZLE	1								
26	3	114210-53330	PIN	1								
27	3	114210-53120	SPRING,NOZZLE	1								
28	3	114210-53130	SEAT,SPRING	1								
29	3	114210-53140	SPACER ASSY,VALVE	1								
29A	3	114210-53400	SHIM SET	1								W

(A)=EXXXXX

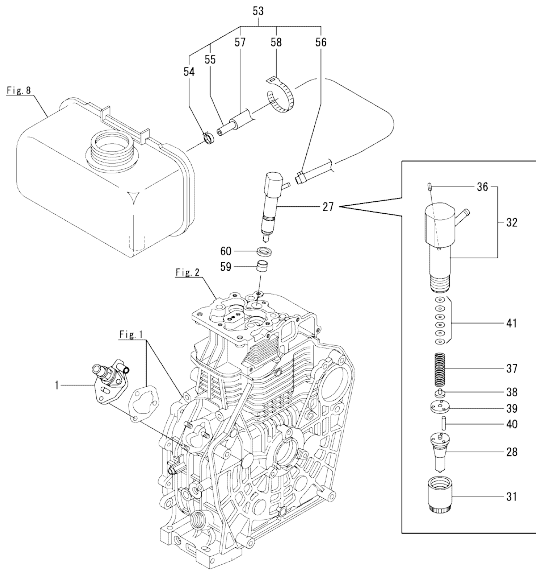
Remarks

(1) This parts is applied up to the following engine number.

(A)=EM21502

Please refer to Fig.7A since above-mentioned engine number. Interchangeable by simultaneous replacement with Fig.7A No1.27,56,59, 60 when changing to the new model.

Fig.12. (7A)FUEL INJECTION PUMP & FUEL INJECTION VALVE



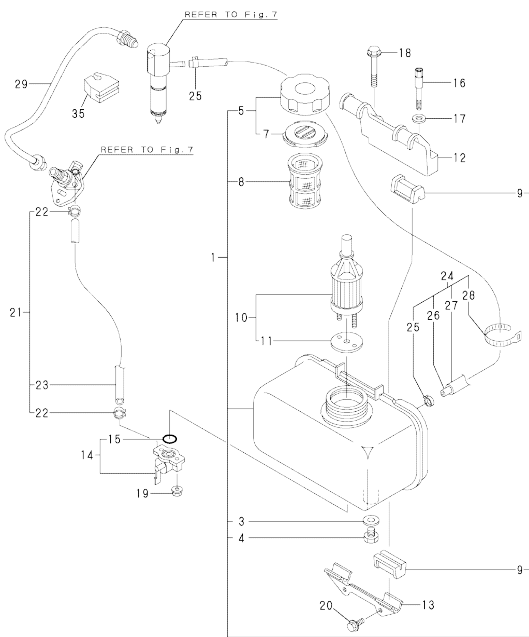
(A)=L100V6CA1T1AA  
(B)=  
(C)=

(D)=  
(E)=  
(F)=

No.	Lev.	Parts No.	Description	Q'ty						I	R
				(A)	(B)	(C)	(D)	(E)	(F)		
1	1	714349-51400 (A=EM21503)	PUMP ASSY, INJECTION	1						W	1
27	1	714349-53100 (A=EM21503)	VALVE ASSY, INJECTION	1						W	
28	2	114349-53000	VALVE ASSY, INJECTION	1							
31	2	114250-53080	NUT, NOZZLE	1							
32	2	114339-53100	HOLDER ASSY, NOZZLE	1							
36	3	22351-025005	PIN, SPRING 2.5X 6	1							
37	2	114250-53120	SPRING, NOZZLE	1							
38	2	114250-53130	SEAT, SPRING	1							
39	2	114250-53140	SPACER, VALVE STOP	1							
40	2	114250-53210	PIN, POSITIONING	2							
41	2	114250-53400	SHIM SET	1							
53	1	114339-59300 (A=EM21503)	PIPE ASSY, RETURN	1							W
53-1	1	114339-59301 (A=*2019,03)	PIPE ASSY, FO RETURN	1							N
54	2	124722-59050	CLAMP, HOSE 9	1							W
55	2	114310-59060 (A=EM21503)	PIPE, FUEL RETURN	1							W
55-1	2	114310-59061 (A=*2019,03)	PIPE, FO RETURN	1							N
56	2	124066-59100	CLAMP, HOSE 8	1							W
57	2	114310-59310 (A=EM21503)	HOSE, PROTECTION	1							W
58	2	121750-59890 (A=EM21503)	BAND, NYLON	1							W
59	1	114240-11450 (A=EM21503)	PROTECTOR, NOZZLE	1							W
60	1	114240-11550 (A=EM21503)	SEAT, NOZZLE	1							W

Remarks  
 \*Parts of this figure are executed since the following engine number.  
 \*(A)=EM21503  
 \*Please refer to Fig.7 before above-mentioned engine number.  
 (1)On a guarantee of quality component part shall not be sold.

Fig.8. FUEL TANK & FUEL PIPE



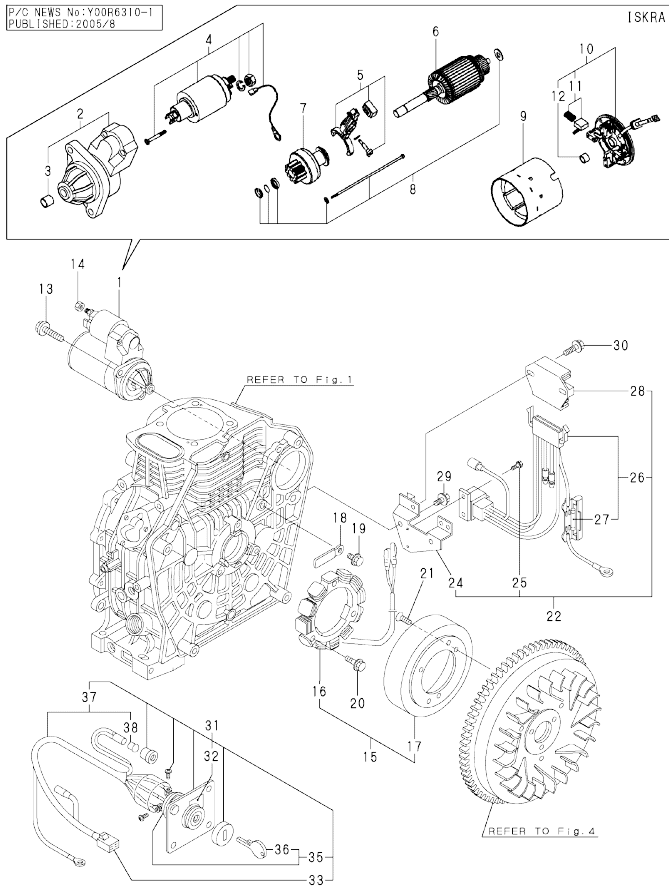
(A)=L100V6CA1T1AA  
(B)=  
(C)=

(D)=  
(E)=  
(F)=

No.	Lev.	Parts No.	Description	Q'ty						I	R
				(A)	(B)	(C)	(D)	(E)	(F)		
1	1	714310-55700	TANK ASSY, FUEL	1							
1-1	1	11432C-55710 (A=EM57796)	TANK ASSY, FUEL OIL	1							N
3	2	23414-080000	GASKET, 8X1.0	1							
4	2	105300-55080	PLUG, M8X1.0	1							
5	2	114288-55041	CAP ASSY, FUEL TANK	1							
5-1	2	114299-55040 (A=EM21434)	CAP ASSY, FUEL TANK	1							N
7	3	114288-55081	VALVE	1							
8	2	114299-55100	ELEMENT, FUEL FILTER	1							
8-1	2	114299-55110 (A=EM51029)	STRAINER, FUEL TANK	1							N
9	2	114250-55201	DAMPER, FUEL TANK	4							
9-1	2	114740-55200 (A=EM57796)	DAMPER, FUEL TANK	4							N
10	1	114250-55121	FILTER ASSY, FUEL	1							
11	2	114250-55130	GASKET	1							
12	1	114310-55230	STAY, FUEL TANK B	1							
13	1	114210-55210	STAY, FUEL TANK A	1							
14	1	114250-55301	COCK ASSY, FUEL	1							
14-1	1	114240-55300	COCK ASSY, FUEL	1							N
15	2	24341-000150 (A=EM21502)	O-RING, 1AS15.0	1							
16	1	114210-55810	BOLT, LIFTING	1							
17	1	22117-080000	WASHER, 8	1							
18	1	26106-080452	BOLT, M8X 45 PLATED	1							
19	1	26366-080002	NUT, M6	2							
20	1	26106-060162	BOLT, M6X 16 PLATED	2							
21	1	114770-59030	PIPE ASSY, FUEL	1							
21-1	1	114780-59010 (A=EM14863)	PIPE ASSY, FUEL L50	1							N
22	2	114270-59010	CLAMP, HOSE 12	2							
22-1	2	23080-014000 (A=EM14863)	CLAMP, 14	2							N
23	2	114266-59061 (A=EM14863)	PIPE, FUEL L=50	1							
23-1	2	114780-59060 (A=EM14863)	PIPE, FUEL L=50	1							N
24	1	114310-59300 (A=EM58711)	PIPE ASSY, RETURN	1							1
24-1	1	114310-59301 (A=EM58711)	PIPE ASSY, FO RETURN	1							N
25	2	124722-59050	CLAMP, HOSE 9	2							
26	2	114310-59060	PIPE, FUEL RETURN	1							
26-1	2	114310-59061 (A=EM58711)	PIPE, FO RETURN	1							N
27	2	114310-59310	HOSE, PROTECTION	1							
28	2	121750-59890	BAND, NYLON	1							
29	1	114310-59800	PIPE ASSY, INJECTION	1							
35	1	114650-59850	SUPPORT, PIPE	1							

Remarks  
(1) This parts is applied up to the following engine number.  
(A)=EM21502  
Please refer to Fig.7A since above-mentioned engine number. Interchangeable by simultaneous replacement with Fig.7A No1.27,56,59, 60 when changing to the new model.

Fig.9. STARTING MOTOR & DYNAMO(PREVIOUS)



(A)=L100V6CA1T1AA  
(B)=  
(C)=

(D)=  
(E)=  
(F)=

No.	Lev.	Parts No.	Description	Q'ty						I	R
				(A)	(B)	(C)	(D)	(E)	(F)		
1	1	114399-77010	STARTER(ISKRA 12V	1							
2	2	114399-77150	GEAR CASE ASSY	1							
3	3	114399-77030	BUSH	1							
4	2	114399-77060	MAGNETIC SWITCH ASSY	1							
5	2	114399-77180	SHIFT LEVER KIT	1							
6	2	114399-77110	ARMATURE ASSY	1							
7	2	114399-77040	PINION CLUTCH ASSY	1							
8	2	114399-77770	THROUGH BOLT ASSY	1							
9	2	114399-77130	YOKE ASSY	1							
10	2	114399-77140	REAR COVER ASSY	1							
11	3	114399-77160	BRUSH HOLDER ASSY	1							1
12	3	114399-77050	BUSH	1							
13	1	26106-100302	BOLT, M10X 30 PLATED	2							
14	1	26716-080002	NUT, M8	1							
15	1	114399-78260	DYNAMO ASSY	1							
16	2	114399-78730	STATOR ASSY	1							
17	2	114399-78740	WHEEL, DYNAMO	1							
18	1	160710-78710	CLAMP, CORD	1							
19	1	26106-060122	BOLT, M6X 12 PLATED	1							
20	1	26106-060202	BOLT, M6X 20 PLATED	3							
21	1	26577-060142	SCREW M 6X 14	3							
22	1	114399-77550	REG. & HARNESS ASSY	1							
24	3	114399-77400	BRACKET, HARNESS	1							
25	3	26023-040102	SCREW, M4X10	2							
26	3	114399-77540	HARNESS, WIRE	1							
27	4	114399-78000	FUSE,(20A	2							
28	2	114399-77710	REGULATOR	1							
29	1	26106-060122	BOLT, M6X 12 PLATED	2							
30	1	26106-060202	BOLT, M6X 20 PLATED	2							
31	1	114351-77500	PANEL ASSY	1							
32	2	105198-07120	LABEL, START SWITCH	1							
33	2	114351-77520	COUPLER	1							
35	2	106100-77620	SWITCH, KEY	1							
36	3	106100-77630	KEY, SWITCH	1							
37	2	114351-77700	HARNESS, WIRE	1							
38	3	29220-083200	BULB (12V/3.4W)	1							

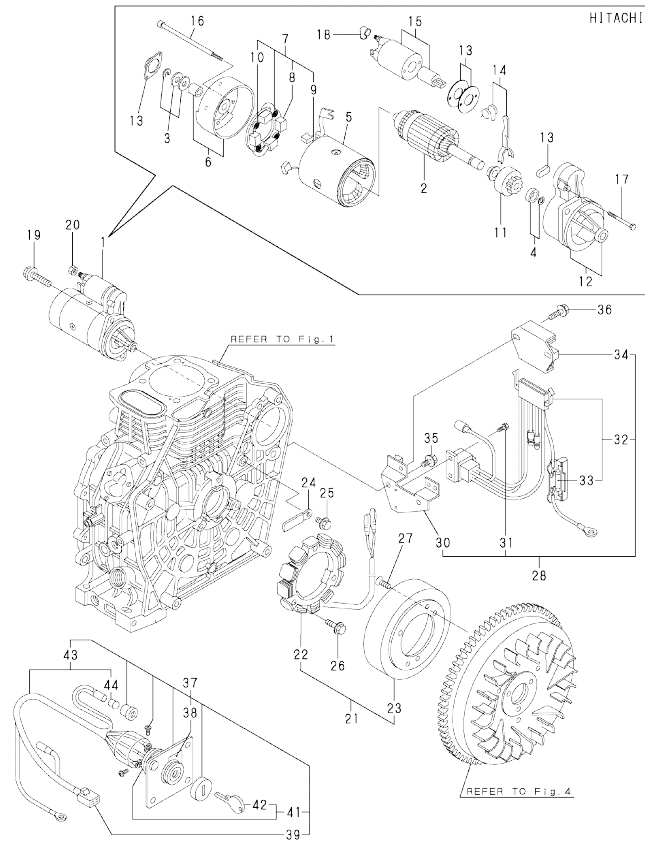
Remarks  
(1)4 PIECE SET

Fig.11. (9A)STARTING MOTOR & DYNAMO(NEW)

(A)=L100V6CA1T1AA  
(B)=  
(C)=

(D)=  
(E)=  
(F)=

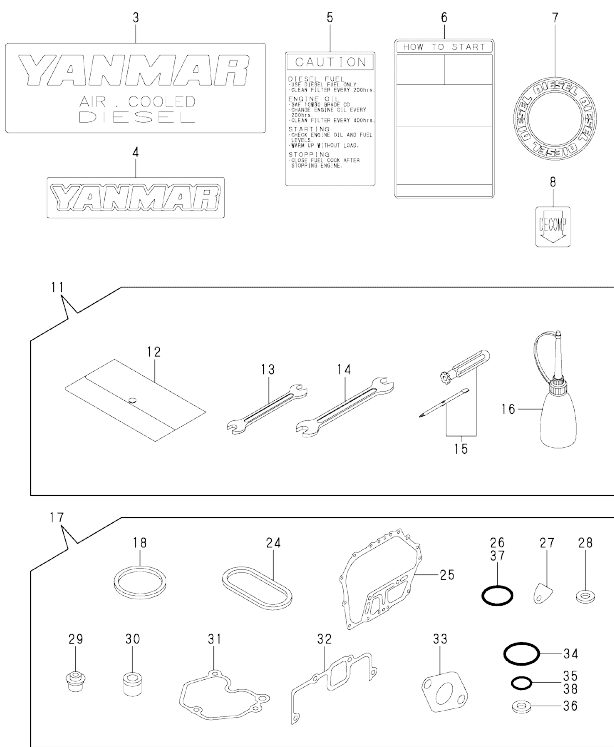
P/C NEWS No. Y00R6310-1  
PUB. ISHED: 2005/8



No.	Lev.	Parts No.	Description	Q'ty						I	R
				(A)	(B)	(C)	(D)	(E)	(F)		
1	1	114362-77011	STARTER	1							1
2	2	114381-77110	ARMATURE	1							
3	2	X2114811000	WASHER KIT, THRUST	1							
4	2	X2114715500	STOPPER SET, PINION	1							
5	2	114381-77130	COIL ASSY, FIELD	1							
6	2	114381-77140	COVER, REAR	1							
7	2	114371-77160	HOLDER ASSY, BRUSH	1							
8	3	114371-79040	BRUSH (-)	2							
9	3	114371-79050	BRUSH (+)	1							
10	3	114371-79060	SPRING, BRUSH	4							
11	2	X211485016	PINION ASSY	1							
12	2	114381-77151	HOUSING ASSY, GEAR	1							
13	2	114371-77170	COVER KIT, DUST	1							
14	2	114371-77180	LEVER KIT, SHIFT	1							
15	2	124298-77020	SWTCH, MAGNETIC	1							
16	2	124195-77770	THROUGH BOLT	2							
17	2	114371-79070	BOLT M 6X 37	2							
18	2	X2114274200	COVER, TERMINAL	1							
19	1	26106-100302	BOLT, M10X 30 PLATED	2							
20	1	26716-080002	NUT, M8	1							
21	1	114399-78260	DYNAMO ASSY	1							
22	2	114399-78730	STATOR ASSY	1							
23	2	114399-78740	WHEEL, DYNAMO	1							
24	1	160710-78710	CLAMP, CORD	1							
25	1	26106-060122	BOLT, M6X 12 PLATED	1							
26	1	26106-060202	BOLT, M6X 20 PLATED	3							
27	1	26577-060142	SCREW M 6X 14	3							
28	1	114399-77550	REG. & HARNESS ASSY	1							
30	3	114399-77400	BRACKET, HARNESS	1							
31	3	26023-040102	SCREW, M4X10	2							
32	3	114399-77540	HARNESS, WIRE	1							
33	4	114399-78000	FUSE(20A)	2							
34	2	114399-77710	REGULATOR	1							
35	1	26106-060122	BOLT, M6X 12 PLATED	2							
36	1	26106-060202	BOLT, M6X 20 PLATED	2							
37	1	114351-77500	PANEL ASSY	1							
38	2	105198-07120	LABEL, START SWITCH	1							
39	2	114351-77520	COUPLER	1							
41	2	106100-77620	SWTCH, KEY	1							
42	3	106100-77630	KEY, SWITCH	1							
43	2	114351-77700	HARNESS, WIRE	1							
44	3	29220-083200	BULB (12V/3.4W)	1							

Remarks  
(1)MAKER CHANGED.  
FROM ENGINE NO.M00178

Fig.10. TOOL,LABEL & GASKET SET



(A)=L100V6CA1T1AA  
(B)=  
(C)=

(D)=  
(E)=  
(F)=

No.	Lev.	Parts No.	Description	Q'ty						I	R
				(A)	(B)	(C)	(D)	(E)	(F)		
3	1	114299-07100	LABEL, AIR COOLED	1							
4	1	114299-07110	LABEL, YANMAR	1							
5	1	114210-07120	LABEL, CAUTION	1							
6	1	114210-07130	LABEL HOW TO START-E	1							
7	1	114299-07160	LABEL, DIESEL	1							
8	1	114210-07200	LABEL, DECOMPRESSION	1							
11	1	114299-92590	BOX, TOOL	1							
12	2	114299-92600	BAG, TOOL	1							
13	2	114299-92710	WRENCH	1							
14	2	114299-92720	WRENCH	1							
15	2	114299-92730	DRIVER	1							
16	2	114299-92740	DIPSTICK	1							
17	1	714310-92600	GASKET SET	1							1
18	2	114695-01330	GASKET, HEAD	1							
24	2	114699-01380	O-RING	1							
25	2	114699-01410	GASKET, CRANK CASE	1							
26	2	114299-01950	O-RING, 18	2							
27	2	114250-01841	GASKET	1							
28	2	22190-160002	WASHER, SEAL 16	2							
29	2	114650-11340	SEAL, VALVE STEM	2							
30	2	114771-11461	GASKET, NOZZLE	1							
31	2	114310-11310	GASKET, BONNET	1							
32	2	114310-12210	GASKET, AIR CLEANER	1							
33	2	114310-13200	GASKET, MUFFLER	1							
34	2	114299-32570	O-RING	1							
35	2	24341-000100	O-RING, 1AS10.0	1							
36	2	23414-080000	GASKET, 8X1.0	1							
37	2	24341-000224	O-RING, 1AS22.4	1							
38	2	24341-000150	O-RING, 1AS15.0	1							

Remarks  
(1)OPTIONAL

## Parts No. Index

Parts No.	Fig. No.	Ref. No.
104211-11370	2	26
105198-07120	9	32
	11	38
105300-55080	8	4
106100-77620	9	35
	11	41
106100-77630	9	36
	11	42
114210-03590	2	38
114210-07120	10	5
114210-07130	10	6
114210-07200	10	8
114210-11900	2	13
114210-12520	3	3
114210-12560	3	4
114210-12580	3	6
114210-12590	3	7
114210-12600	3	10
114210-14300	4	7
114210-53080	7	24
114210-53100	7	23
114210-53120	7	27
114210-53130	7	28
114210-53140	7	29
114210-53330	7	26
114210-53400	7	29 A
114210-55210	8	13
114210-55810	8	16
114210-61290	5	49
114210-66060	5	55
114210-66100	5	59
114210-66500	5	54
114240-11450	12	59
114240-11550	12	60
114240-55300	8	14 -1
114250-01841	1	7
	10	27
114250-53080	12	31
114250-53120	12	37
114250-53130	12	38
114250-53140	12	39
114250-53210	12	40
114250-53400	12	41
114250-55121	8	10
114250-55130	8	11
114250-55201	8	9
114250-55301	8	14
114268-59061	8	23
114270-59010	8	22
114288-55041	8	5

Parts No.	Fig. No.	Ref. No.
114288-55081	8	7
114295-11470	2	28
114295-61940	5	40
114299-01600	1	8
114299-01690	1	14
114299-01800	1	33
114299-01830	1	5
114299-01950	1	17
	10	26
114299-02030	1	19
114299-03640	2	41
114299-07100	10	3
114299-07110	10	4
114299-07160	10	7
114299-11240	2	19
		23
114299-12300	3	11
114299-32070	5	45
114299-32570	5	7
	10	34
114299-35110	5	10
114299-35150	1	12
114299-45220	6	1
114299-45300	6	13
114299-45310	6	14
114299-45350	6	16
114299-55040	8	5 -1
114299-55100	8	8
114299-55110	8	8 -1
114299-61190	5	37
114299-61600	5	35
114299-66200	5	47
114299-66250	5	65
114299-66440	5	60
114299-67080	5	61
114299-92590	10	11
114299-92600	10	12
114299-92710	10	13
114299-92720	10	14
114299-92730	10	15
114299-92740	10	16
114310-01010	1	1
114310-01200	2	1
114310-01210	2	2
114310-01450	1	45
114310-11020	2	3
114310-11100	2	7
114310-11110	2	8
114310-11120	2	9
114310-11180	2	10

Parts No.	Fig. No.	Ref. No.
114310-11250	2	14
114310-11260	2	15
114310-11280	2	16
114310-11310	2	34
	10	31
114310-11650	2	17
114310-11660	2	21
114310-11930	2	11
114310-11950	2	36
114310-12020	3	2
114310-12210	3	24
	10	32
114310-12510	3	1
114310-13200	3	14
	10	33
114310-14200	4	6
114310-14400	4	12
114310-22040	4	47
114310-22050	4	53
114310-22060	4	24
114310-23200	4	38
114310-45100	6	34
114310-45260	6	2
114310-45270	6	3
114310-45300	6	4
114310-45310	6	5
114310-45350	6	8
114310-53000	7	22
114310-55230	8	12
114310-59060	8	26
	12	55
114310-59061	8	26 -1
	12	55 -1
114310-59300	8	24
114310-59301	8	24 -1
114310-59310	8	27
	12	57
114310-59800	8	29
114310-61500	5	14
114310-66010	5	46
114311-01450	1	45 -1
114320-13800	3	23 -1
114320-22140	4	49
114320-22150	4	55
114320-22160	4	26
11432C-23700	4	34 -1
11432C-55710	8	1 -1
114339-53100	12	32
114339-59300	12	53
114339-59301	12	53 -1

Parts No.	Fig. No.	Ref. No.
114349-53000	12	28
114351-77500	9	31
	11	37
114351-77520	9	33
	11	39
114351-77700	9	37
	11	43
114362-77011	11	1
114371-77160	11	7
114371-77170	11	13
114371-77180	11	14
114371-79040	11	8
114371-79050	11	9
114371-79060	11	10
114371-79070	11	17
114381-77110	11	2
114381-77130	11	5
114381-77140	11	6
114381-77151	11	12
114399-45320	6	6
114399-45340	6	7
114399-77010	9	1
114399-77030	9	3
114399-77040	9	7
114399-77050	9	12
114399-77060	9	4
114399-77110	9	6
114399-77130	9	9
114399-77140	9	10
114399-77150	9	2
114399-77160	9	11
114399-77180	9	5
114399-77400	9	24
	11	30
114399-77540	9	26
	11	32
114399-77550	9	22
	11	28
114399-77710	9	28
	11	34
114399-77770	9	8
114399-78000	9	27
	11	33
114399-78260	9	15
	11	21
114399-78730	9	16
	11	22
114399-78740	9	17
	11	23
114650-02100	1	48



## Parts No. Index

Parts No.	Fig. No.	Ref. No.
114650-02150	1	20
114650-02200	1	25
114650-02210	1	26
114650-11340	2	25
	10	29
114650-32010	5	1
114650-59850	8	35
114662-21601	4	66
114695-01330	1	27
	10	18
114699-01380	1	6
	10	24
114699-01410	1	44
	10	25
114699-01760	1	15
114699-11600	2	29
114699-13551	3	15
114699-13561	3	17
114699-13700	3	18
114699-13710	3	19
114699-13720	3	16
114699-13800	3	23
114699-21220	4	21
114699-21550	4	22
114699-21590	4	63
114699-22300	4	32
114699-45330	6	15
114699-76251	6	18
114699-76510	6	19
114699-76520	6	20
114699-76531	6	21
114699-76540	6	22
114699-76551	6	23
114699-76560	6	24
114699-76592	6	31
114699-76620	6	25
114699-76630	6	26
114699-76650	6	27
114699-76660	6	28
114699-76670	6	29
114699-76680	6	30
114740-55200	8	9 -1
114770-59030	8	21
114770-61520	5	34
114770-61610	5	36
114771-11461	2	27
	10	30
114771-61810	5	38
114771-61830	5	39
114771-61890	5	68

Parts No.	Fig. No.	Ref. No.
114771-61960	5	70
114771-66600	5	41
114771-66690	5	42
114780-59010	8	21 -1
114780-59060	8	23 -1
114940-02110	1	48 -1
114940-02200	1	25 -1
114940-02210	1	26 -1
114940-23600	4	39 -1
114940-23610	4	59 -1
114940-23620	4	61 -1
114940-23910	4	70
121750-59890	8	28
	12	58
124066-59100	12	56
124195-77770	11	16
124298-77020	11	15
124722-59050	8	25
	12	54
129792-22400	4	33
135210-61090	5	43
160710-78710	9	18
	11	24
160725-78350	5	62
160842-21150	4	68
160842-21250	4	69
160842-21260	4	67
22117-080000	8	17
22190-160002	1	18
	10	28
22312-030160	2	43
	5	8
22312-040080	1	51
22322-030200	5	26
	31	
22351-025005	12	36
22351-040008	2	30
22451-060000	5	44
22512-050140	4	23
23080-014000	8	22 -1
23414-080000	8	3
	10	36
23875-020000	1	52
23876-010000	1	50
24101-063040	4	46
24162-152220	1	21
24311-000180	5	71
24341-000100	10	35
24341-000150	8	15
	10	38

Parts No.	Fig. No.	Ref. No.
24341-000224	5	12
	10	37
24423-355008	1	22
	23	
26023-040102	9	25
	11	31
26106-060082	6	9
	32	
26106-060122	5	9
	6	33
	9	19
	29	
	11	25
	35	
26106-060142	5	66
26106-060162	5	13
	8	20
26106-060202	5	67
	6	10
	9	20
	30	
	11	26
	36	
26106-060402	3	12
26106-060652	2	35
26106-080122	1	24
26106-080202	3	20
26106-080352	1	13
26106-080452	8	18
26106-080502	2	31
26106-100302	9	13
	11	19
26117-050089	5	58
26216-080182	3	21
26226-060182	1	9
26226-060222	1	10
26226-060352	3	13
26226-060552	2	32
26226-060752	6	11
26347-060002	5	63
26366-060002	1	11
	2	33
	6	12
	8	19
26366-080002	3	22
26577-060142	9	21
	11	27
26716-080002	9	14
	11	20
26757-060002	5	64

Parts No.	Fig. No.	Ref. No.
26856-060002	2	20
		24
29220-083200	9	38
	11	44
714210-61700	5	48
714310-14580	4	1
714310-21700	4	13
714310-28510	4	41
714310-51100	7	1
714310-53100	7	21
714310-55700	8	1
714310-92600	10	17
71431C-23010	4	34
714349-51400	12	1
714349-53100	12	27
714650-23600	4	39
714650-23610	4	59
714650-23620	4	61
X2114274200	11	18
X2114715500	11	4
X2114811000	11	3
X211485016	11	11