

0CC50-M03890EN

# P R E F A C E

This parts catalog is the 1st edition of L100V6CC2T5HAKA for KAERCHER.

Published : August, 2021

## Contents

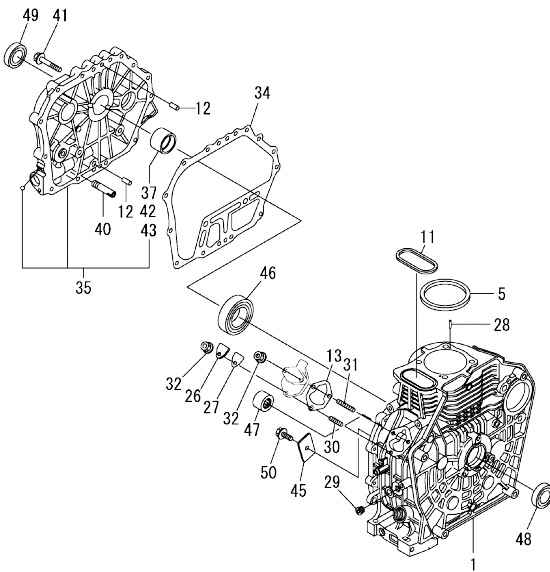
0CC50-M03890

Fig. No.	Fig. Name	Fig. No.	Fig. Name
	ENGINE		25. GASKET SET & TOOL
1.	CYLINDER BLOCK		
2.	DRAIN PLUG		
3.	LABEL		
4.	CYLINDER HEAD & BONNET		
5.	SUCTION MANIFOLD		
6.	AIR CLEANER		
7.	EXHAUST MUFFLER		
8.	CAMSHAFT		
9.	CRANKSHAFT		
10.	FLYWHEEL		
11.	PISTON & CONNECTING ROD		
12.	BALANCER SHAFT		
13.	LUB. OIL PUMP & GOVERNOR		
14.	SWITCH CAP(OIL PRESSURE)		
15.	COVER		
16.	COOLING FAN CASE		
17.	FUEL INJECTION PUMP & FUEL INJECTION VALVE		
18.	CONTROL DEVICE		
19.	STARTER MOTOR		
20.	ELECTRIC PARTS		
21.	AIR HEATER		
22.	KEY SWITCH		
23.	DYNAMO		
24.	ACCESSORY		

Fig.1. CYLINDER BLOCK

(A)=L100V6CC2T5HAKA  
(B)=  
(C)=

(D)=  
(E)=  
(F)=

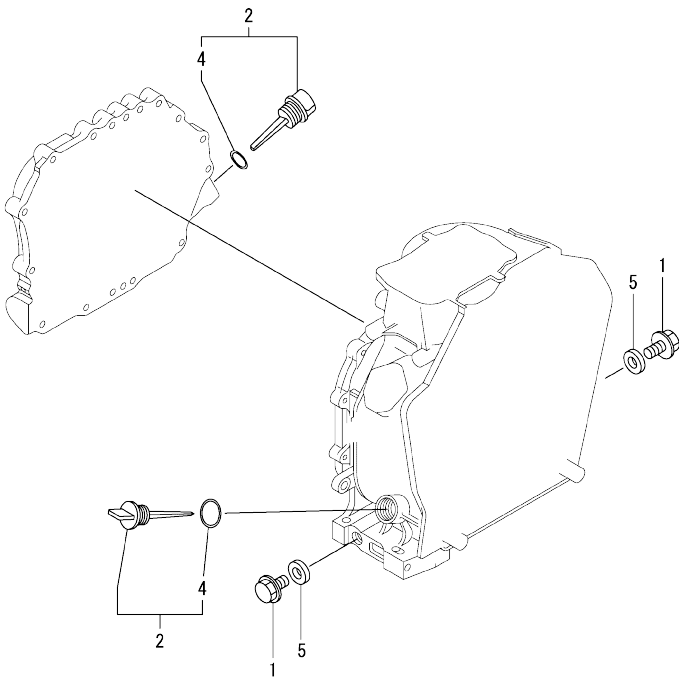


No.	Lev.	Parts No.	Description	Q'ty						I	R
				(A)	(B)	(C)	(D)	(E)	(F)		
1	1	114310-01010	BLOCK ASSY, CYLINDER	1							
5	1	114695-01331	GASKET, HEAD	1							
11	1	114699-01380	O-RING, TAPPET	1							
12	1	114299-01600	PIN, PARALLEL 8X12	2							
13	1	114299-01800	SHIM SET, PUMP	1							
26	1	114299-01830	COVER, PUMP	1							
27	1	114250-01841	GASKET, COVER	1							
28	1	22312-040080	PIN, PARALLEL M4X 8	2							
29	1	23875-020000	PLUG, R02	1							
30	1	26226-060182	STUD, M6X 18	1							
31	1	26226-060222	STUD, M6X 22	2							
32	1	26366-060002	NUT, M6	3							
34	1	114699-01410	GASKET, CASE COVER	1							
35	1	114311-01450	COVER, CRANKCASE D	1							
37	2	114940-02110	BEARING, MAIN	1							1
40	1	114299-35150	PIPE, OIL INLET	1							
41	1	26106-080352	BOLT, M8X 35 PLATED	16							
42	1	114940-02200	BEARING, MAIN 0.25OS	1							2
43	1	114940-02210	BEARING, MAIN 0.50OS	1							3
45	1	114299-02030	RETAINER, BEARING	1							
46	1	114650-02150	BEARING, HR6308G3C3	1							
47	1	24162-152220	BEARING, 152220	1							
48	1	24423-355008	SEAL, OIL TC355008	1							
49	1	24423-355008	SEAL, OIL TC355008	1							
50	1	26106-080122	BOLT, M8X 12 PLATED	1							

Remarks

- (1) Spare parts.
- (2) Over-sized (O.S.=0.25) parts.
- (3) Over-sized (O.S.=0.50) parts.

OCC50-M03890 ENGINE  
 Fig.2. DRAIN PLUG



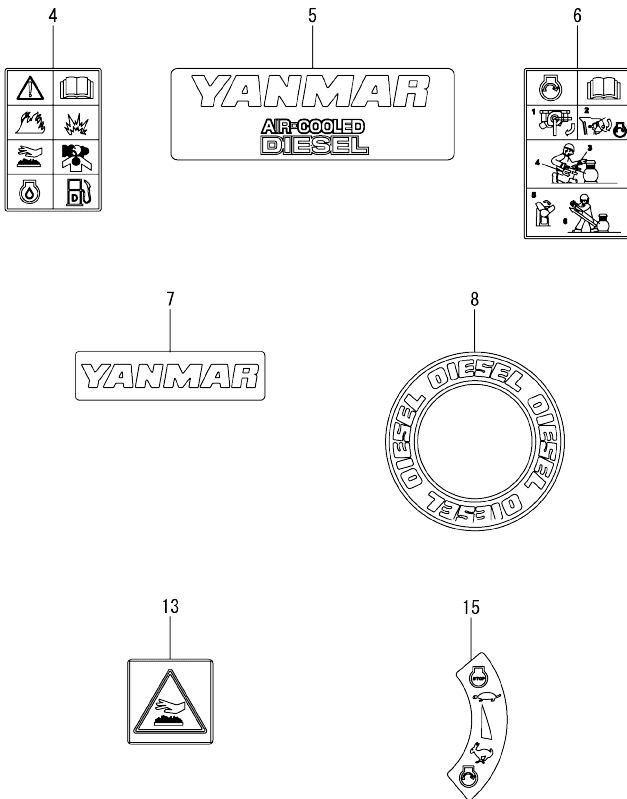
OCC50-M03890 Fig.2

(A)=L100V6CC2T5HAKA  
 (B)=  
 (C)=

(D)=  
 (E)=  
 (F)=

No.	Lev.	Parts No.	Description	Q'ty					
				(A)	(B)	(C)	(D)	(E)	(F)
1	1	114299-01690	PLUG, DRAIN 16	2					
2	1	114699-01760	CAP ASSY, OIL SUPPLY	2					
4	2	114299-01950	O-RING, 18	2					
5	1	22190-160002	WASHER, SEAL 16	2					

Fig.3. LABEL

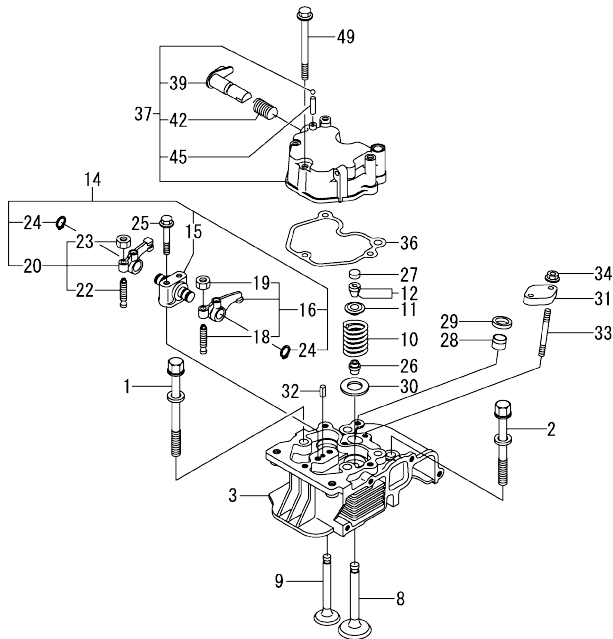


(A)=L100V6CC2T5HAKA  
(B)=  
(C)=

(D)=  
(E)=  
(F)=

No.	Lev.	Parts No.	Description	Q'ty					
				(A)	(B)	(C)	(D)	(E)	(F)
4	1	114220-07100	LABEL, CAUTION	1					
5	1	114299-07101	LABEL, YANMAR MARK A	1					
6	1	114220-07110	LABEL, HOW TO START	1					
7	1	114299-07111	LABEL, YANMAR MARK B	1					
8	1	114299-07160	LABEL, DIESEL	1					
13	1	114220-07130	LABEL, HOT SURFACE	1					
15	1	114220-07160	LABEL, THAI	1					

Fig.4. CYLINDER HEAD & BONNET



(A)=L100V6CC2T5HAKA  
(B)=  
(C)=

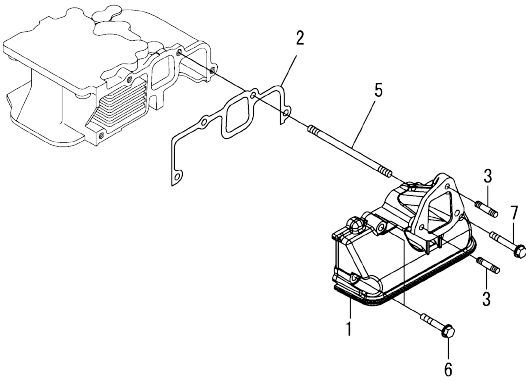
(D)=  
(E)=  
(F)=

No.	Lev.	Parts No.	Description	Qty						I	R
				(A)	(B)	(C)	(D)	(E)	(F)		
1	1	114310-01200	BOLT, HEAD A	2							
2	1	114310-01210	BOLT, HEAD B	2							
3	1	114310-11050	HEAD ASSY, CYLINDER	1							
8	1	11431C-11100	VALVE, INTAKE	1							
9	1	11431C-11110	VALVE, EXHAUST	1							
10	1	114310-11120	SPRING, VALVE	2							
11	1	114310-11180	RETAINER, SPRING	2							
12	1	114310-11930	COTTER ASSY	2							
14	1	11431C-11250	SUPPORT ASSY, ARM	1							
15	2	11431C-11260	SUPPORT, ROCKER ARM	1							
16	2	11431C-11650	ARM, ROCKER	1							
18	3	114250-11240	SCREW, VALVE ADJUST	1							
19	3	26856-060002	NUT, M6	1							
20	2	11431C-11660	ARM, ROCKER	1							
22	3	114250-11240	SCREW, VALVE ADJUST	1							
23	3	26856-060002	NUT, M6	1							
24	2	22242-000150	RING, 15	2							
25	1	114310-11290	BOLT, SUPPORT	2							
26	1	114650-11341	SEAL, VALVE STEM	2							
27	1	104211-11370	CAP, VALVE	2							
28	1	114240-11450	PROTECTOR, NOZZLE	1							
29	1	114240-11550	SEAT, NOZZLE	1							
30	1	114699-11600	WASHER	2							
31	1	114210-11901	RETAINER, VALVE	1							
32	1	22351-040008	PIN, SPRING 4.0X 8	1							
33	1	26226-060552	STUD, M6X 55	2							
34	1	26366-060002	NUT, M6	2							
36	1	114310-11310	GASKET, BONNET	1							
37	1	114310-11950	BONNET ASSY, HEAD	1							
39	2	114210-03590	DECOMPRESSION ASSY	1							
42	2	114299-03640	SPRING, DECOMPRESSION	1							
45	2	22312-030160	PIN, PARALLEL M3X16	1							
49	1	26106-060652	BOLT, M6X 65 PLATED	3							

Fig.5. SUCTION MANIFOLD

(A)=L100V6CC2T5HAKA  
(B)=  
(C)=

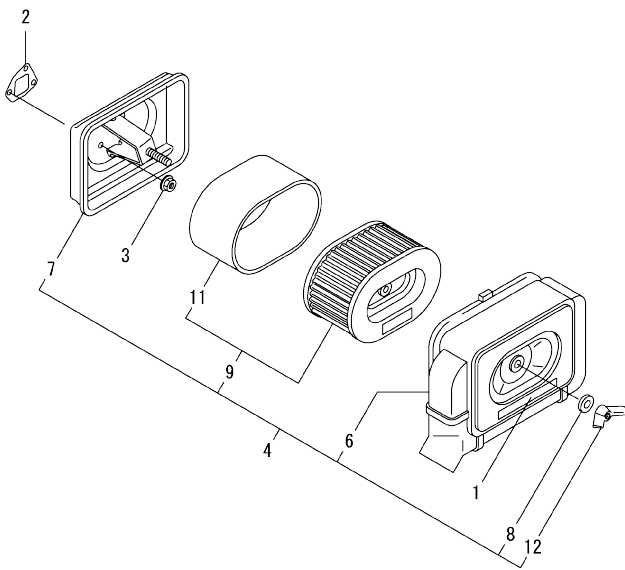
(D)=  
(E)=  
(F)=



No.	Lev.	Parts No.	Description	Q'ty					
				(A)	(B)	(C)	(D)	(E)	(F)
1	1	114310-12050	MANIFOLD, INTAKE	1					
2	1	114310-12210	GASKET, AIR CLEANER	1					
3	1	26226-060162	STUD, M6X 16	2					
5	1	114310-45360	STUD, M6X77	1					
6	1	26106-060352	BOLT, M6X 35 PLATED	2					
7	1	26106-060402	BOLT, M6X 40 PLATED	1					



Fig.6. AIR CLEANER



(A)=L100V6CC2T5HAKA  
(B)=  
(C)=

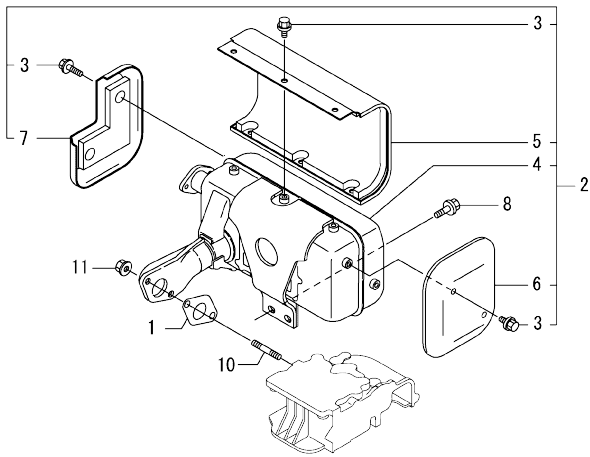
(D)=  
(E)=  
(F)=

No.	Lev.	Parts No.	Description	Q'ty					
				(A)	(B)	(C)	(D)	(E)	(F)
1	1	114650-07450	LABEL, AIR CLEANER	1					
2	1	114699-12210	GASKET, AIR CLEANER	1					
3	1	114299-12300	NUT	3					
4	1	783671-12560	CLEANER ASSY, AIR	1					
6	2	183671-12520	COVER ASSY, CLEANER	1					
7	2	114980-12530	CASE ASSY, CLEANER	1					
8	2	114252-12560	WASHER, SEAL M8	1					
9	2	114650-12590	ELEMENT ASSY, AIR	1					
11	3	114650-12550	FILTER, AIR PRE	1					
12	1	114252-12550	NUT, WING M8	1					

Fig.7. EXHAUST MUFFLER

(A)=L100V6CC2T5HAKA  
(B)=  
(C)=

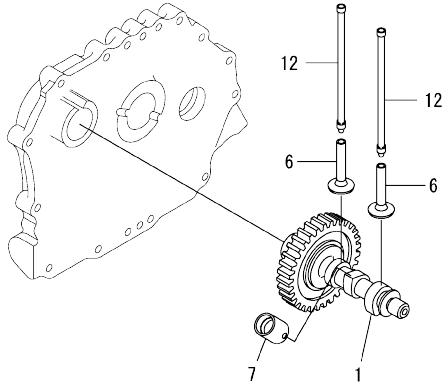
(D)=  
(E)=  
(F)=



No.	Lev.	Parts No.	Description	Q'ty						I	R
				(A)	(B)	(C)	(D)	(E)	(F)		
1	1	114310-13200	GASKET, MUFFLER	1							
2	1	114910-13510	MUFFLER ASSY	1							
3	2	160260-01580	BOLT, FLANGE M6X6	10							
4	2	114973-13562	MUFFLER, SEW	1							
5	2	114910-13700	COVER, MUFFLER A	1							
6	2	114910-13710	COVER, MUFFLER B	1							
7	2	114910-13720	COVER, MUFFLER C	1							
8	1	26106-080202	BOLT, M8X 20 PLATED	2							
10	1	26216-080182	STUD, M8X 18	2							
11	1	26306-080002	NUT, M8	2							

OCC50-M03890 ENGINE  
 Fig.8. CAMSHAFT

OCC50-M03890 Fig.8

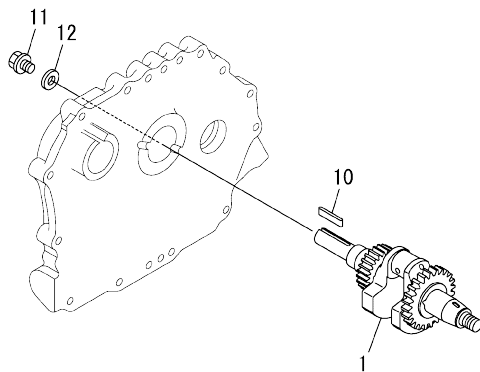


(A)=L100V6CC2T5HAKA  
 (B)=  
 (C)=

(D)=  
 (E)=  
 (F)=

No.	Lev.	Parts No.	Description	Q'ty					
				(A)	(B)	(C)	(D)	(E)	(F)
1	1	114310-14580	CAMSHAFT ASSY	1					
6	1	114310-14200	TAPPET	2					
7	1	114210-14300	TAPPET ASSY, ROLLER	1					
12	1	114320-14400	ROD ASSY, PUSH	2					

Fig.9. CRANKSHAFT

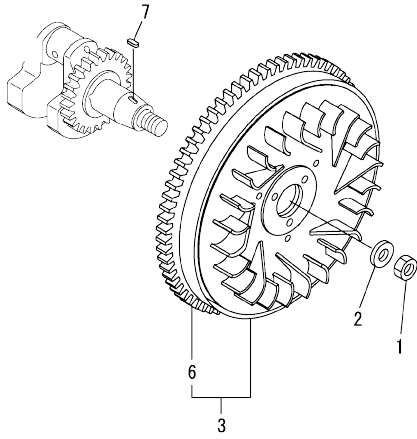


(A)=L100V6CC2T5HAKA  
(B)=  
(C)=

(D)=  
(E)=  
(F)=

No.	Lev.	Parts No.	Description	Q'ty					
				(A)	(B)	(C)	(D)	(E)	(F)
1	1	11431C-21730	CRANKSHAFT ASSY,E-D	1					
10	1	160842-21150	KEY, FEATHER 6.3X50	1					
11	1	160842-21250	BOLT, 7/16-20UNF	1					
12	1	160842-21260	WASHER, PULLEY	1					

OCC50-M03890 ENGINE  
 Fig.10. FLYWHEEL



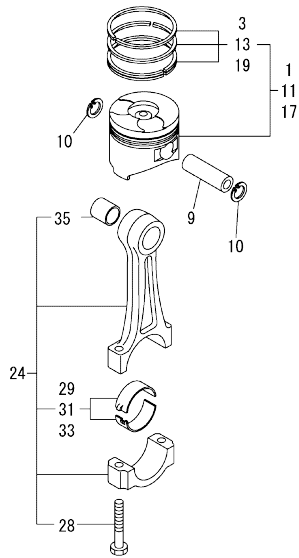
OCC50-M03890 Fig.10

(A)=L100V6CC2T5HAKA  
 (B)=  
 (C)=

(D)=  
 (E)=  
 (F)=

No.	Lev.	Parts No.	Description	Q'ty					
				(A)	(B)	(C)	(D)	(E)	(F)
1	1	114699-21220	NUT, WHEEL	1					
2	1	114699-21550	WASHER, FLYWHEEL	1					
3	1	114699-21600	FLYWHEEL ASSY, DE	1					
6	2	114699-21630	GEAR, RING	1					
7	1	22512-050140	KEY, 5X 14	1					

Fig.11. PISTON & CONNECTING ROD



(A)=L100V6CC2T5HAKA  
(B)=  
(C)=

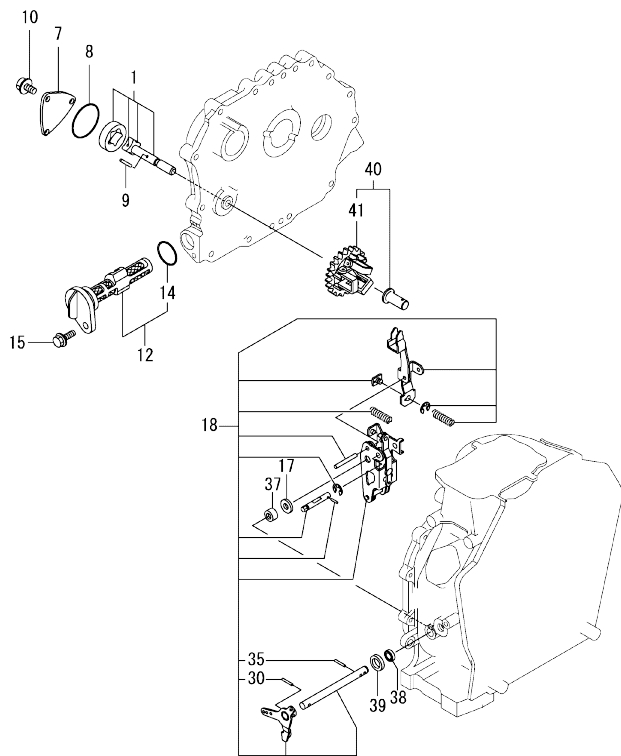
(D)=  
(E)=  
(F)=

No.	Lev.	Parts No.	Description	Q'ty						I	R
				(A)	(B)	(C)	(D)	(E)	(F)		
1	1	714310-22720	PISTON ASSY, D	1							
3	2	714310-22500	RING SET, PISTON	1							
9	1	114699-22300	PIN, PISTON D=23	1							
10	1	114310-22500	RING, SEEGER J23	2							
11	1	714310-22620	PISTON ASSY, 0.25 OS	1							1
13	2	714310-22540	RING SET, PISTON .25	1							1
17	1	714310-22580	PISTON ASSY, 0.50 OS	1							2
19	2	714310-22550	RING SET, PISTON .50	1							2
24	1	11432C-23700	ROD ASSY, CONNECTING	1							2
28	2	114310-23200	BOLT, CONNECTING ROD	2							
29	2	114940-23600	METAL ASSY, CRANK PIN	1							
31	1	114940-23610	METAL ASSY, PIN .25	1							1
33	1	114940-23620	METAL ASSY, PIN .50	1							2
35	1	114940-23910	BUSH, PISTON PINN	1							3

Remarks  
(1)Over-sized(O.S.=0.25) parts.  
(2)Over-sized(O.S.=0.50) parts.  
(3)Spare parts.



Fig.13. LUB. OIL PUMP & GOVERNOR



(A)=L100V6CC2T5HAKA  
(B)=  
(C)=

(D)=  
(E)=  
(F)=

No.	Lev.	Parts No.	Description	Q'ty						I	R
				(A)	(B)	(C)	(D)	(E)	(F)		
1	1	114650-32010	PUMP ASSY, OIL	1							
7	1	114299-32070	COVER, OIL PUMP	1							
8	1	114299-32570	O-RING, PUMP COVER	1							
9	1	22312-030160	PIN, PARALLEL M3X16	1							
10	1	26106-060122	BOLT, M6X 12 PLATED	3							
12	1	114299-35110	FILTER ASSY, OIL	1							
14	2	24341-000224	O-RING, 1AS22.4	1							
15	1	26106-060162	BOLT, M6X 16 PLATED	1							
17	1	114299-61190	WASHER, GOVERNOR	1							
18	1	114310-61500	LEVER ASSY, GOVERNOR	1							1
30	2	22322-030200	PIN, TAPER 3X20	1							
35	2	22322-030200	PIN, TAPER 3X20	1							
37	1	114770-61520	BEARING, NEEDLE	2							
38	1	114299-61600	SEAL, OIL	1							
39	1	114770-61610	WASHER, THRUST	1							
40	1	714210-61701	GOVERNOR ASSY	1							
41	2	114210-61290	WEIGHT ASSY, GOVERNOR	1							

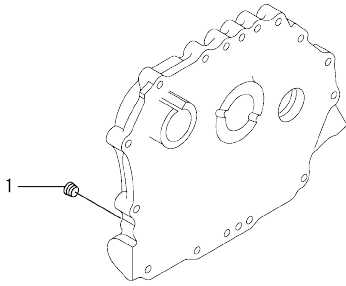
Remarks

(1) On a guarantee of quality, component parts shall not be sold.



OCC50-M03890 ENGINE

Fig.14. SWITCH CAP(OIL PRESSURE)



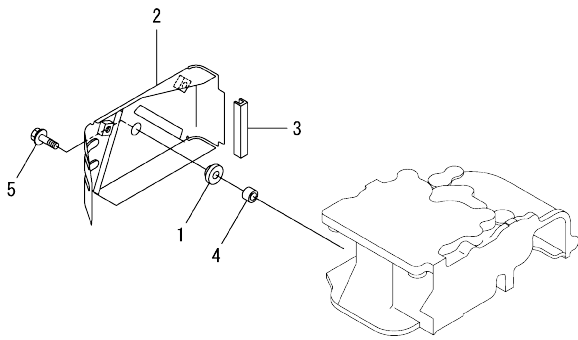
OCC50-M03890 Fig.14

(A)=L100V6CC2T5HAKA  
(B)=  
(C)=

(D)=  
(E)=  
(F)=

No.	Lev.	Parts No.	Description	Q'ty						I	R
				(A)	(B)	(C)	(D)	(E)	(F)		
1	1	23876-010000	PLUG, R01	1							

OCC50-M03890 ENGINE  
 Fig.15. COVER



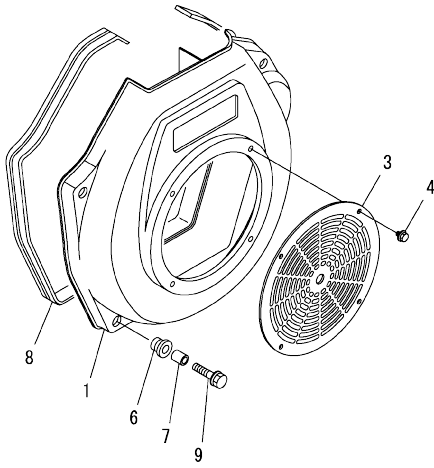
OCC50-M03890 Fig.15

(A)=L100V6CC2T5HAKA  
 (B)=  
 (C)=

(D)=  
 (E)=  
 (F)=

No.	Lev.	Parts No.	Description	Q'ty					
				(A)	(B)	(C)	(D)	(E)	(F)
1	1	114299-45220	GROMMET, TANK	1					
2	1	114310-45260	COVER, SIDE B	1					
3	1	114399-45320	RUBBER, SEAL	1					
4	1	114399-45340	COLLAR	1					
5	1	26106-060202	BOLT, M6X 20 PLATED	1					

Fig.16. COOLING FAN CASE

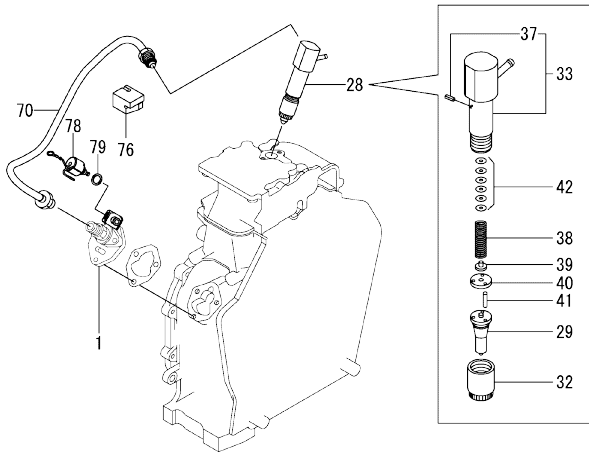


(A)=L100V6CC2T5HAKA  
(B)=  
(C)=

(D)=  
(E)=  
(F)=

No.	Lev.	Parts No.	Description	Q'ty						I	R
				(A)	(B)	(C)	(D)	(E)	(F)		
1	1	114310-45150	CASE, COOLING FAN	1							
3	1	114699-45180	COVER, DUST	1							
4	1	26106-060082	BOLT, M6X 8 PLATED	4							
6	1	114299-45301	RUBBER, FAN CASE	4							
7	1	114299-45310	COLLAR, FAN CASE	4							
8	1	114699-45331	SEAL, FAN CASE	1							
9	1	114299-45350	BOLT, FAN CASE	4							

Fig.17. FUEL INJECTION PUMP & FUEL INJECTION VALVE



(A)=L100V6CC2T5HAKA  
(B)=  
(C)=

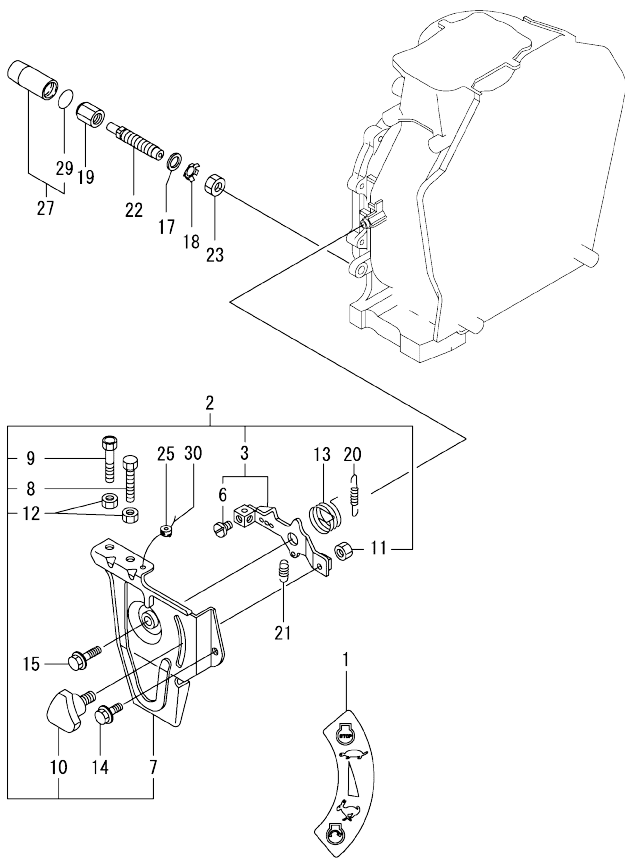
(D)=  
(E)=  
(F)=

No.	Lev.	Parts No.	Description	Q'ty						I	R
				(A)	(B)	(C)	(D)	(E)	(F)		
1	1	714349-51640	PUMP ASSY, INJECTION	1							1
28	1	714349-53100	VALVE ASSY,INJECTION	1							
29	2	114349-53000	VALVE ASSY,INJECTION	1							
32	2	114250-53080	NUT, NOZZLE	1							
33	2	114339-53100	HOLDER ASSY, NOZZLE	1							
37	3	22351-025005	PIN, SPRING 2.5X 6	1							
38	2	114250-53120	SPRING, NOZZLE	1							
39	2	114250-53130	SEAT, SPRING	1							
40	2	114250-53140	SPACER, VALVE STOP	1							
41	2	114250-53210	PIN, POSITIONING	2							
42	2	119803-53400	SHIM SET	1							
70	1	114310-59800	PIPE ASSY, INJECTION	1							
76	1	114699-59850	SUPPORT, PIPE	1							
78	1	114110-76910	VALVE ASSY, FUEL CUT	1							
79	1	114299-83020	GASKET, 10X1.2	1							

Remarks

(1)On a guarantee of quality, component parts shall not be sold.

Fig.18. CONTROL DEVICE



(A)=L100V6CC2T5HAKA  
(B)=  
(C)=

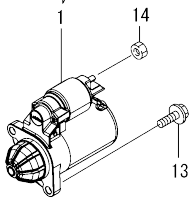
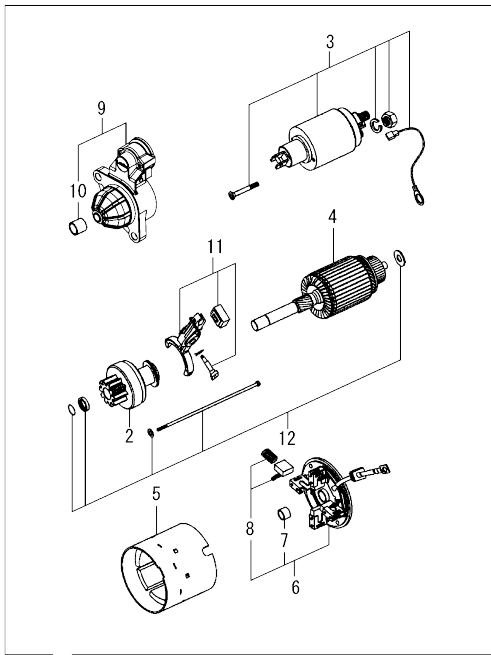
(D)=  
(E)=  
(F)=

No.	Lev.	Parts No.	Description	Q'ty						I	R
				(A)	(B)	(C)	(D)	(E)	(F)		
1	1	114220-07160	LABEL, THAI	1							
2	1	714210-66100	CONTROL ASSY, SPEED	1							
3	2	114210-66060	HANDLE ASSY	1							
6	3	26117-050089	BOLT, M5X 8 PLATED	1							
7	2	114210-66100	BRACKET, REGULATOR	1							
8	2	114299-66440	BOLT, ADJUSTER	1							
9	2	114299-67080	BOLT, ADJUST	1							
10	2	160725-78350	BOLT, KNOB M6X15	1							
11	2	26347-060002	NUT, M6	1							
12	2	26857-060002	NUT, M6	2							
13	1	114299-66250	SPRING, RETURN	1							
14	1	26106-060142	BOLT, M6X 14 PLATED	1							
15	1	26106-060202	BOLT, M6X 20 PLATED	1							
17	1	114295-61810	WASHER, PLAIN 14	1							
18	1	114771-61830	PLATE	1							
19	1	114295-61940	NUT, PROTECTOR M14	1							
20	1	114310-66010	SPRING, REGULATOR	1							
21	1	114299-66201	SPRING, RETURN	1							
22	1	114771-66600	LIMITER ASSY, FUEL	1							
23	1	114295-66690	NUT, LOCK M14	1							
25	1	114780-61090	TIN	1							
27	1	114295-61980	PROTECTOR ASSY	1							
29	2	24311-000180	O-RING, 1AP18.0	1							
30	1	22451-060000	WIRE, 0.6	1							

Fig.19. STARTER MOTOR

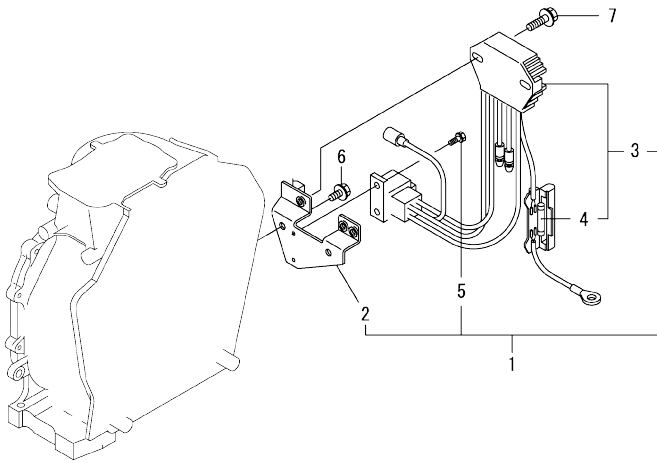
(A)=L100V6CC2T5HAKA  
(B)=  
(C)=

(D)=  
(E)=  
(F)=



No.	Lev.	Parts No.	Description	Q'ty					
				(A)	(B)	(C)	(D)	(E)	(F)
1	1	114320-77010	MOTOR ASSY, STARTER	1					
2	2	114399-77040	CLUTCH ASSY, PINION	1					
3	2	114399-77060	SWITCH ASSY, MAGNET	1					
4	2	114320-77110	ARMATURE ASSY	1					
5	2	114320-77130	YOKE ASSY	1					
6	2	114399-77140	COVER ASSY, REAR	1					
7	3	114399-77050	BUSH, REAR	1					
8	3	114399-77160	HOLDER ASSY, BRUSH	4					
9	2	114399-77150	CASE ASSY, GEAR	1					
10	3	114399-77030	BUSH, TOP	1					
11	2	114399-77180	LEVER KIT, SHIFT	1					
12	2	114320-77770	BOLT ASSY, THROUGH	2					
13	1	26106-100302	BOLT, M10X 30 PLATED	2					
14	1	26716-080002	NUT, M8	1					

Fig.20. ELECTRIC PARTS



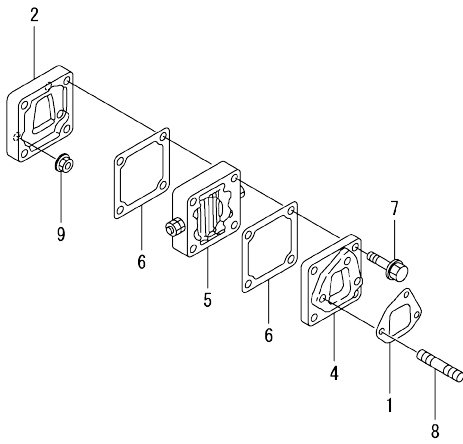
(A)=L100V6CC2T5HAKA  
(B)=  
(C)=

(D)=  
(E)=  
(F)=

No.	Lev.	Parts No.	Description	Q'ty						I	R
				(A)	(B)	(C)	(D)	(E)	(F)		
1	1	114399-77560	REGULATOR ASSY	1							
2	2	114399-77410	BRACKET, HARNESS	1							
3	2	114399-77720	REGULATOR	1							
4	3	114399-78000	FUSE, 20A	1							
5	2	26023-040102	SCREW, M4X10	2							
6	1	26106-060122	BOLT, M6X 12 PLATED	2							
7	1	26106-060202	BOLT, M6X 20 PLATED	2							

OCC50-M03890 ENGINE  
 Fig.21. AIR HEATER

OCC50-M03890 Fig.21



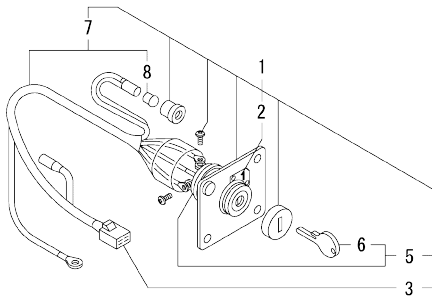
(A)=L100V6CC2T5HAKA  
 (B)=  
 (C)=

(D)=  
 (E)=  
 (F)=

No.	Lev.	Parts No.	Description	Q'ty					
				(A)	(B)	(C)	(D)	(E)	(F)
1	1	114699-12210	GASKET, AIR CLEANER	1					
2	1	114310-12220	SPACER, AIR HEATER	1					
4	1	114652-12230	SPACER, AIR HEATER	1					
5	1	129100-77501	HEATER, AIR 11V	1					
6	1	129100-77510	GASKET, AIR HEATER	2					
7	1	26106-080402	BOLT, M8X 40 PLATED	4					
8	1	26226-060142	STUD, M6X 14	3					
9	1	26366-060002	NUT, M6	3					



Fig.22. KEY SWITCH

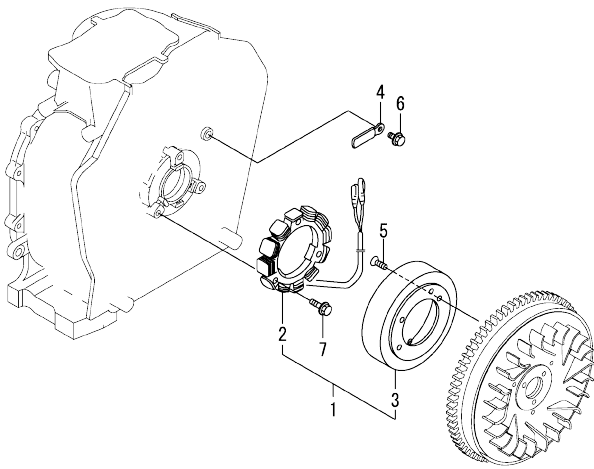


(A)=L100V6CC2T5HAKA  
(B)=  
(C)=

(D)=  
(E)=  
(F)=

No.	Lev.	Parts No.	Description	Q'ty					
				(A)	(B)	(C)	(D)	(E)	(F)
1	1	114220-77500	PANEL ASSY, SWITCH	1					
2	2	114220-07170	LABEL, START SWITCH	1					
3	2	114351-77520	COUPLER	1					
5	2	106100-77620	SWITCH, KEY	1					
6	3	106100-77630	KEY, SWITCH	1					
7	2	114351-77700	HARNES, WIRE	1					
8	3	29220-083200	BULB (12V/3.4W)	1					

OCC50-M03890 ENGINE  
 Fig.23. DYNAMO



OCC50-M03890 Fig.23

(A)=L100V6CC2T5HAKA  
 (B)=  
 (C)=

(D)=  
 (E)=  
 (F)=

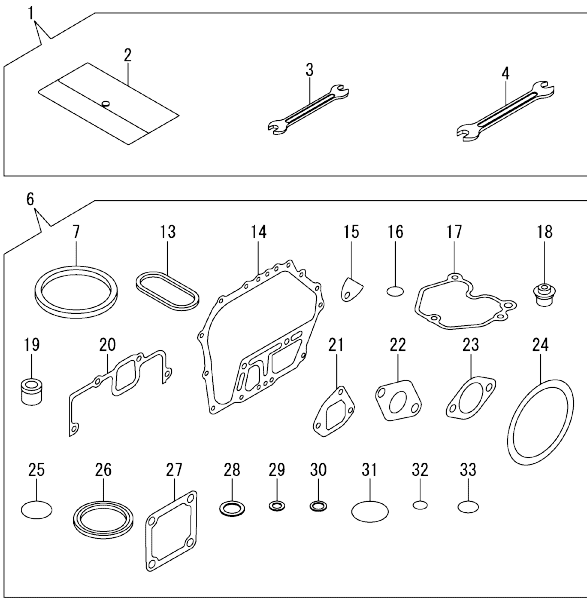
No.	Lev.	Parts No.	Description	Q'ty					
				(A)	(B)	(C)	(D)	(E)	(F)
1	1	114399-78280	DINAMO ASSY. 15A	1					
2	2	114399-78770	STATOR ASSY	1					
3	2	114399-78780	WHEEL, DYNAMO	1					
4	1	160710-78710	CLAMP, CORD	1					
5	1	114210-78800	SCREW, M6	3					
6	1	26106-060122	BOLT, M6X 12 PLATED	1					
7	1	26106-060202	BOLT, M6X 20 PLATED	3					



Fig.25. GASKET SET & TOOL

(A)=L100V6CC2T5HAKA  
(B)=  
(C)=

(D)=  
(E)=  
(F)=



No.	Lev.	Parts No.	Description	Q'ty						I	R
				(A)	(B)	(C)	(D)	(E)	(F)		
1	1	114299-92590	TOOL ASSY	1							
2	2	114299-92600	BAG, TOOL	1							
3	2	114299-92710	WRENCH	1							
4	2	114299-92720	WRENCH	1							
6	1	114320-92600	GASKET SET	1							1
7	2	114695-01331	GASKET, HEAD	1							
13	2	114699-01380	O-RING, TAPPET	1							
14	2	114699-01410	GASKET, CASE COVER	1							
15	2	114250-01841	GASKET, COVER	1							
16	2	114299-01950	O-RING, 18	2							
17	2	114310-11310	GASKET, BONNET	1							
18	2	114650-11341	SEAL, VALVE STEM	2							
19	2	114771-11461	GASKET, NOZZLE	1							
20	2	114310-12210	GASKET, AIR CLEANER	1							
21	2	114699-12210	GASKET, AIR CLEANER	2							
22	2	114310-13200	GASKET, MUFFLER	1							
23	2	18367-1-13211	GASKET, MUFFLER PIPE	1							
24	2	114399-21980	GASKET	1							
25	2	114299-32570	O-RING, PUMP COVER	1							
26	2	160393-55050	GASKET	4							
27	2	129100-77510	GASKET, AIR HEATER	3							
28	2	22190-160002	WASHER, SEAL 16	2							
29	2	23414-080000	GASKET, 8X1.0	1							
30	2	23414-120000	GASKET, 12X1.0	1							
31	2	24311-000400	O-RING, 1A94.0	1							
32	2	24341-000150	O-RING, 1A15.0	2							
33	2	24341-000224	O-RING, 1A522.4	1							

Remarks

(1)Optional parts.

## Parts No. Index

Parts No.	Fig. No.	Ref. No.	Parts No.	Fig. No.	Ref. No.	Parts No.	Fig. No.	Ref. No.	Parts No.	Fig. No.	Ref. No.
104211-11370	4	27	114299-35110	13	12	11431C-11660	4	20	114699-21220	10	1
106100-77620	22	5	114299-35150	1	40	11431C-21730	9	1	114699-21550	10	2
106100-77630	22	6	114299-45220	15	1	114320-14400	8	12	114699-21600	10	3
114110-76910	17	78	114299-45301	16	6	114320-77010	19	1	114699-21630	10	6
114210-03590	4	39	114299-45310	16	7	114320-77110	19	4	114699-22300	11	9
114210-11901	4	31	114299-45350	16	9	114320-77130	19	5	114699-45180	16	3
114210-14300	8	7	114299-61190	13	17	114320-77770	19	12	114699-45331	16	8
114210-61290	13	41	114299-61600	13	38	114320-92600	25	6	114699-59850	17	76
114210-66060	18	3	114299-66201	18	21	11432C-23700	11	24	114770-61520	13	37
114210-66100	18	7	114299-66250	18	13	114339-53100	17	33	114770-61610	13	39
114210-78800	23	5	114299-66440	18	8	114349-53000	17	29	114771-11461	25	19
114220-07100	3	4	114299-67080	18	9	114351-77520	22	3	114771-61830	18	18
114220-07110	3	6	114299-83020	17	79	114351-77700	22	7	114771-66600	18	22
114220-07130	3	13	114299-92590	25	1	114399-21980	25	24	114780-61090	18	25
114220-07160	3	15	114299-92600	25	2	114399-45320	15	3	114910-13510	7	2
	18	1	114299-92710	25	3	114399-45340	15	4	114910-13700	7	5
114220-07170	22	2	114299-92720	25	4	114399-77030	19	10	114910-13710	7	6
114220-77500	22	1	114310-01010	1	1	114399-77040	19	2	114910-13720	7	7
114240-11450	4	28	114310-01200	4	1	114399-77050	19	7	114940-02110	1	37
114240-11550	4	29	114310-01210	4	2	114399-77060	19	3	114940-02200	1	42
114250-01841	1	27	114310-11050	4	3	114399-77140	19	6	114940-02210	1	43
	25	15	114310-11120	4	10	114399-77150	19	9	114940-23600	11	29
114250-11240	4	18	114310-11180	4	11	114399-77160	19	8	114940-23610	11	31
		22	114310-11290	4	25	114399-77180	19	11	114940-23620	11	33
114250-53080	17	32	114310-11310	4	36	114399-77410	20	2	114940-23910	11	35
114250-53120	17	38		25	17	114399-77560	20	1	114973-13562	7	4
114250-53130	17	39	114310-11930	4	12	114399-77720	20	3	114980-12530	6	7
114250-53140	17	40	114310-11950	4	37	114399-78000	20	4	119225-52102	24	1
114250-53210	17	41	114310-12050	5	1	114399-78280	23	1	119803-53400	17	42
114252-12550	6	12	114310-12210	5	2	114399-78770	23	2	129100-77501	21	5
114252-12560	6	8		25	20	114399-78780	23	3	129100-77510	21	6
114295-61810	18	17	114310-12220	21	2	114650-02150	1	46	160260-01580	25	27
114295-61940	18	19	114310-13200	7	1	114650-07450	6	1	160393-55050	25	26
114295-61980	18	27		25	22	114650-11341	4	26	160710-78710	23	4
114295-66690	18	23	114310-14200	8	6		25	18	160725-78350	18	10
114299-01600	1	12	114310-14580	8	1	114650-12550	6	11	160842-21150	9	10
114299-01690	2	1	114310-22500	11	10	114650-12590	6	9	160842-21250	9	11
114299-01800	1	13	114310-23200	11	28	114650-32010	13	1	160842-21260	9	12
114299-01830	1	26	114310-45150	16	1	114652-12230	21	4	183671-12520	6	6
114299-01950	2	4	114310-45260	15	2	114695-01331	1	5	183671-13211	25	23
	25	16	114310-45360	5	5		25	7	22190-160002	2	5
114299-02030	1	45	114310-59800	17	70	114699-01380	1	11		25	28
114299-03640	4	42	114310-61500	13	18		25	13	22242-000150	4	24
114299-07101	3	5	114310-66010	18	20	114699-01410	1	34	22312-030160	4	45
114299-07111	3	7	114311-01450	1	35		25	14		13	9
114299-07160	3	8	11431C-11100	4	8	114699-01760	2	2	22312-040080	1	28
114299-12300	6	3	11431C-11110	4	9	114699-11600	4	30	22322-030200	13	30
114299-32070	13	7	11431C-11250	4	14	114699-12210	6	2			35
114299-32570	13	8	11431C-11260	4	15		21	1	22351-025005	17	37
	25	25	11431C-11650	4	16		25	21			

## Parts No. Index

Parts No.	Fig. No.	Ref. No.
22351-040008	4	32
22451-060000	18	30
22512-050140	10	7
23414-080000	25	29
23414-120000	25	30
23875-020000	1	29
23876-010000	14	1
24101-063040	12	6
24162-152220	1	47
24311-000180	18	29
24311-000400	25	31
24341-000150	25	32
24341-000224	13	14
	25	33
24423-355008	1	48
		49
26023-040102	20	5
26106-060082	16	4
26106-060122	13	10
	20	6
	23	6
26106-060142	18	14
26106-060162	13	15
26106-060202	15	5
	18	15
	20	7
	23	7
26106-060352	5	6
26106-060402	5	7
26106-060652	4	49
26106-080122	1	50
26106-080202	7	8
26106-080352	1	41
26106-080402	21	7
26106-100302	19	13
26117-050089	18	6
26216-080182	7	10
26226-060142	21	8
26226-060162	5	3
26226-060182	1	30
26226-060222	1	31
26226-060552	4	33
26306-080002	7	11
26347-060002	18	11
26366-060002	1	32
	4	34
	21	9
26716-080002	19	14
26856-060002	4	19
		23

Parts No.	Fig. No.	Ref. No.
26857-060002	18	12
29220-083200	22	8
714210-61701	13	40
714210-66100	18	2
714310-22500	11	3
714310-22540	11	13
714310-22550	11	19
714310-22580	11	17
714310-22620	11	11
714310-22720	11	1
714310-28510	12	1
714349-51640	17	1
714349-53100	17	28
783671-12560	6	4

Parts No.	Fig. No.	Ref. No.
-----------	----------	----------

Parts No.	Fig. No.	Ref. No.
-----------	----------	----------