

0CC50-M02810EN

P R E F A C E

This parts catalog is the 1st edition of L100V6CJ2T1CAAH for C&F.

Published : February, 2020

Contents

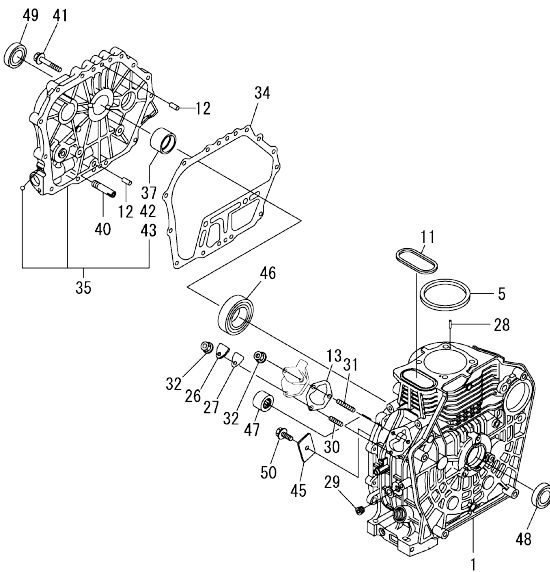
OCC50-M02810

Fig. No.	Fig. Name	Fig. No.	Fig. Name
ENGINE		25.	ACCESSORY
1.	CYLINDER BLOCK	26.	GASKET SET & TOOL
2.	DRAIN PLUG		
3.	LABEL		
4.	CYLINDER HEAD & BONNET		
5.	SUCTION MANIFOLD		
6.	AIR CLEANER		
7.	EXHAUST MUFFLER		
8.	CAMSHAFT		
9.	CRANKSHAFT		
10.	FLYWHEEL		
11.	PISTON & CONNECTING ROD		
12.	BALANCER SHAFT		
13.	LUB. OIL PUMP & GOVERNOR		
14.	SWITCH(OIL PRESSURE)		
15.	COVER		
16.	COOLING FAN CASE		
17.	FUEL INJECTION PUMP & FUEL INJECTION VALVE		
18.	FUEL TANK & FUEL PIPE		
19.	CONTROL DEVICE		
20.	RECOIL STARTER		
21.	STARTER MOTOR		
22.	ELECTRIC PARTS		
23.	AIR HEATER		
24.	DYNAMO		

Fig.1. CYLINDER BLOCK

(A)=L100V6CJ2T1CAAH
(B)=
(C)=

(D)=
(E)=
(F)=

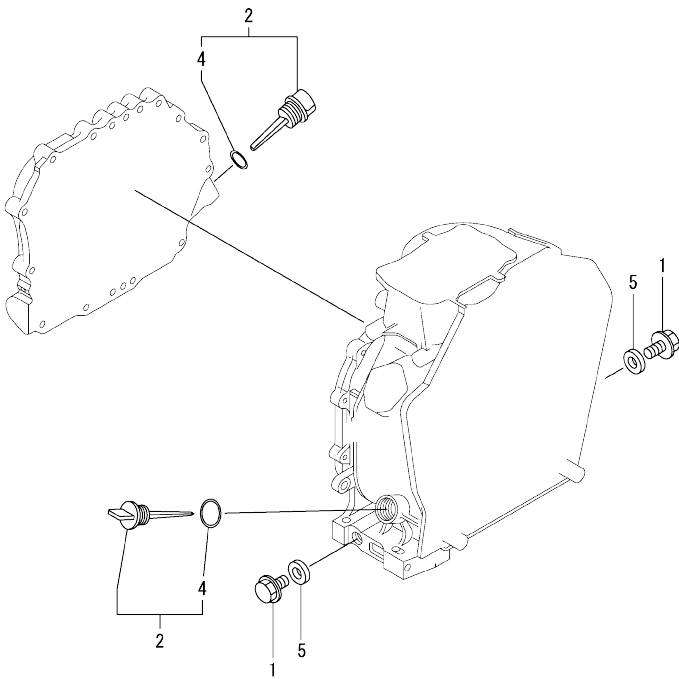


No.	Lev.	Parts No.	Description	Q'ty						I	R
				(A)	(B)	(C)	(D)	(E)	(F)		
1	1	114310-01010	BLOCK ASSY, CYLINDER	1							
5	1	114695-01331	GASKET, HEAD	1							
11	1	114699-01380	O-RING, TAPPET	1							
12	1	114299-01600	PIN, PARALLEL 8X12	2							
13	1	114299-01800	SHIM SET, PUMP	1							
26	1	114299-01830	COVER, PUMP	1							
27	1	114250-01841	GASKET, COVER	1							
28	1	22312-040080	PIN, PARALLEL M4X 8	2							
29	1	23875-020000	PLUG, R02	1							
30	1	26226-060182	STUD, M6X 18	1							
31	1	26226-060222	STUD, M6X 22	2							
32	1	26366-060002	NUT, M6	3							
34	1	114699-01410	GASKET, CASE COVER	1							
35	1	114311-01450	COVER, CRANKCASE D	1							
37	2	114940-02110	BEARING, MAIN	1							1
40	1	114299-35150	PIPE, OIL INLET	1							
41	1	26106-080352	BOLT, M8X 35 PLATED	16							
42	1	114940-02200	BEARING, MAIN 0.25OS	1							2
43	1	114940-02210	BEARING, MAIN 0.50OS	1							3
45	1	114299-02030	RETAINER, BEARING	1							
46	1	114650-02150	BEARING, HR6308G3C3	1							
47	1	24162-152220	BEARING, 152220	1							
48	1	24423-355008	SEAL, OIL TC355008	1							
49	1	24423-355008	SEAL, OIL TC355008	1							
50	1	26106-080122	BOLT, M8X 12 PLATED	1							

Remarks

- (1) Spare parts.
- (2) Over-sized (O.S.=0.25) parts.
- (3) Over-sized (O.S.=0.50) parts.

OCC50-M02810 ENGINE
 Fig.2. DRAIN PLUG



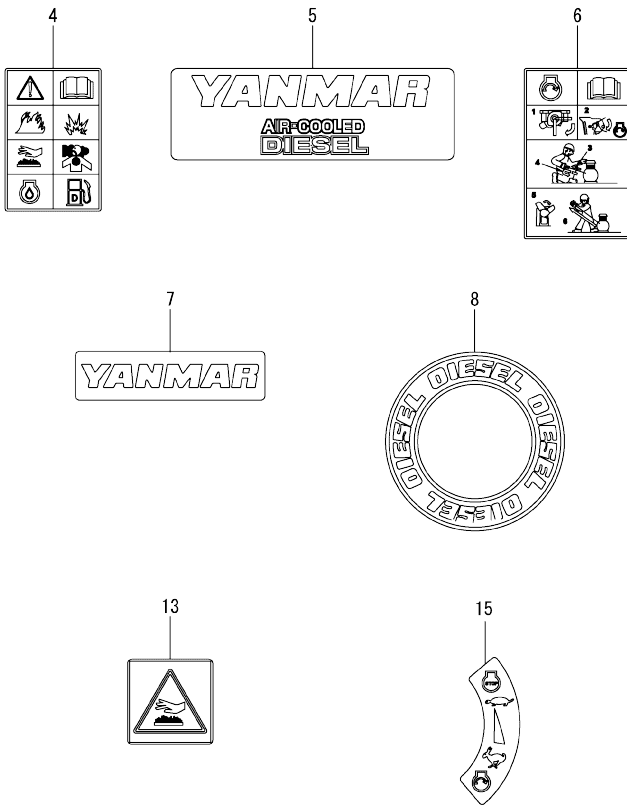
OCC50-M02810 Fig.2

(A)=L100V6CJ2T1CAAH
 (B)=
 (C)=

(D)=
 (E)=
 (F)=

No.	Lev.	Parts No.	Description	Q'ty					
				(A)	(B)	(C)	(D)	(E)	(F)
1	1	114299-01690	PLUG, DRAIN 16	2					
2	1	114699-01760	CAP ASSY, OIL SUPPLY	2					
4	2	114299-01950	O-RING, 18	2					
5	1	22190-160002	WASHER, SEAL 16	2					

Fig.3. LABEL

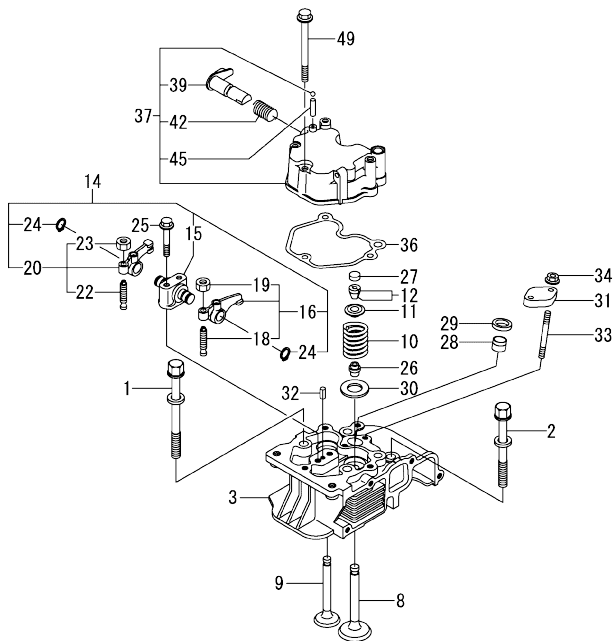


(A)=L100V6CJ2T1CAAH
(B)=
(C)=

(D)=
(E)=
(F)=

No.	Lev.	Parts No.	Description	Q'ty					
				(A)	(B)	(C)	(D)	(E)	(F)
4	1	114220-07100	LABEL, CAUTION	1					
5	1	114299-07101	LABEL, YANMAR MARK A	1					
6	1	114220-07110	LABEL, HOW TO START	1					
7	1	114299-07111	LABEL, YANMAR MARK B	1					
8	1	114299-07160	LABEL, DIESEL	1					
13	1	114220-07130	LABEL, HOT SURFACE	1					
15	1	114220-07160	LABEL, THAI	1					

Fig.4. CYLINDER HEAD & BONNET



(A)=L100V6CJ2T1CAAH
(B)=
(C)=

(D)=
(E)=
(F)=

No.	Lev.	Parts No.	Description	Q'ty						I	R
				(A)	(B)	(C)	(D)	(E)	(F)		
1	1	114310-01200	BOLT, HEAD A	2							
2	1	114310-01210	BOLT, HEAD B	2							
3	1	114310-11050	HEAD ASSY, CYLINDER	1							
8	1	11431C-11100	VALVE, INTAKE	1							
9	1	11431C-11110	VALVE, EXHAUST	1							
10	1	114310-11120	SPRING, VALVE	2							
11	1	114310-11180	RETAINER, SPRING	2							
12	1	114310-11930	COTTER ASSY	2							
14	1	11431C-11250	SUPPORT ASSY, ARM	1							
15	2	11431C-11260	SUPPORT, ROCKER ARM	1							
16	2	11431C-11650	ARM, ROCKER	1							
18	3	114250-11240	SCREW, VALVE ADJUST	1							
19	3	26856-060002	NUT, M6	1							
20	2	11431C-11660	ARM, ROCKER	1							
22	3	114250-11240	SCREW, VALVE ADJUST	1							
23	3	26856-060002	NUT, M6	1							
24	2	22242-000150	RING, 15	2							
25	1	114310-11290	BOLT, SUPPORT	2							
26	1	114650-11341	SEAL, VALVE STEM	2							
27	1	104211-11370	CAP, VALVE	2							
28	1	114240-11450	PROTECTOR, NOZZLE	1							
29	1	114240-11550	SEAT, NOZZLE	1							
30	1	114699-11600	WASHER	2							
31	1	114210-11901	RETAINER, VALVE	1							
32	1	22351-040008	PIN, SPRING 4.0X 8	1							
33	1	26226-060552	STUD, M6X 55	2							
34	1	26366-060002	NUT, M6	2							
36	1	114310-11310	GASKET, BONNET	1							
37	1	114310-11950	BONNET ASSY, HEAD	1							
39	2	114210-03590	DECOMPRESSION ASSY	1							
42	2	114299-03640	SPRING, DECOMPRESSION	1							
45	2	22312-030160	PIN, PARALLEL M3X16	1							
49	1	26106-060652	BOLT, M6X 65 PLATED	3							

Fig.5. SUCTION MANIFOLD

(A)=L100V6CJ2T1CAAH
(B)=
(C)=

(D)=
(E)=
(F)=

No.	Lev.	Parts No.	Description	Q'ty					
				(A)	(B)	(C)	(D)	(E)	(F)
1	1	114310-12050	MANIFOLD, INTAKE	1					
2	1	114310-12210	GASKET, AIR CLEANER	1					
3	1	26226-060162	STUD, M6X 16	2					
5	1	114310-45360	STUD, M6X77	1					
6	1	26106-060352	BOLT, M6X 35 PLATED	2					
7	1	26106-060402	BOLT, M6X 40 PLATED	1					

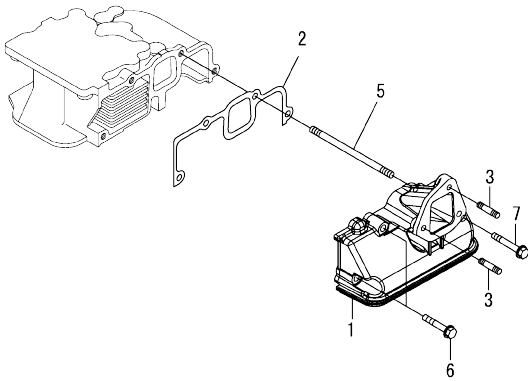
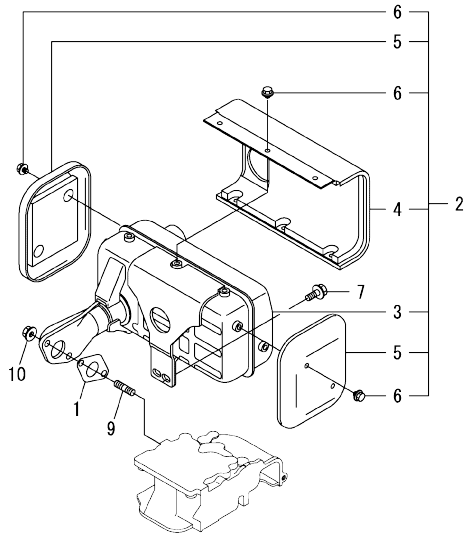


Fig.7. EXHAUST MUFFLER



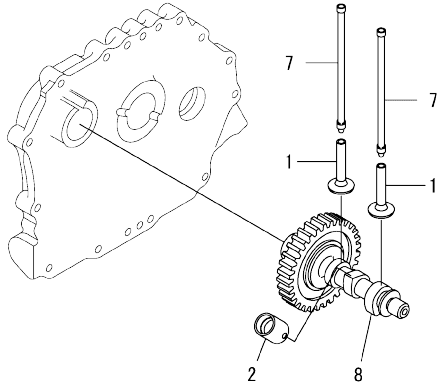
(A)=L100V6CJ2T1CAAH
(B)=
(C)=

(D)=
(E)=
(F)=

No.	Lev.	Parts No.	Description	Q'ty						I	R
				(A)	(B)	(C)	(D)	(E)	(F)		
1	1	114310-13200	GASKET, MUFFLER	1							
2	1	11431C-13550	MUFFLER ASSY	1							
3	2	11431C-13560	MUFFLER	1							
4	2	11431C-13700	COVER, MUFFLER A	1							
5	2	11431C-13710	COVER	2							
6	2	11431C-13720	BOLT, M6	10							
7	1	26106-080202	BOLT, M8X 20 PLATED	2							
9	1	26216-080182	STUD, M8X 18	2							
10	1	26306-080002	NUT, M8	2							

OCC50-M02810 ENGINE
 Fig.8. CAMSHAFT

OCC50-M02810 Fig.8

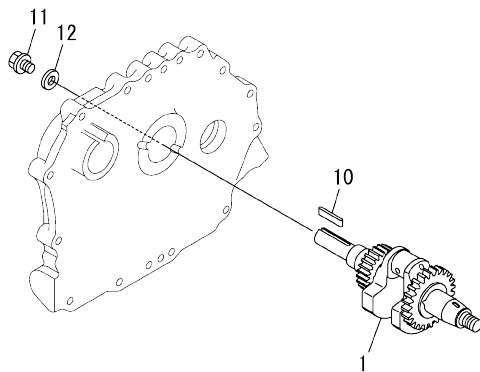


(A)=L100V6CJ2T1CAAH
 (B)=
 (C)=

(D)=
 (E)=
 (F)=

No.	Lev.	Parts No.	Description	Q'ty					
				(A)	(B)	(C)	(D)	(E)	(F)
1	1	114310-14200	TAPPET	2					
2	1	114210-14300	TAPPET ASSY, ROLLER	1					
7	1	114310-14400	ROD ASSY, PUSH	2					
8	1	114310-14580	CAMSHAFT ASSY	1					

Fig.9. CRANKSHAFT

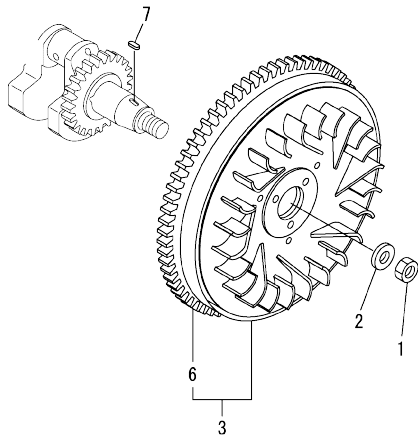


(A)=L100V6CJ2T1CAAH
(B)=
(C)=

(D)=
(E)=
(F)=

No.	Lev.	Parts No.	Description	Q'ty					
				(A)	(B)	(C)	(D)	(E)	(F)
1	1	11431C-21730	CRANKSHAFT ASSY,E-D	1					
10	1	160842-21150	KEY, FEATHER 6.3X50	1					
11	1	160842-21250	BOLT, 7/16-20UNF	1					
12	1	160842-21260	WASHER, PULLEY	1					

OCC50-M02810 ENGINE
 Fig.10. FLYWHEEL



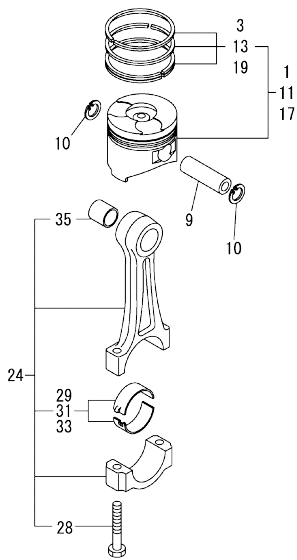
OCC50-M02810 Fig.10

(A)=L100V6CJ2T1CAAH
 (B)=
 (C)=

(D)=
 (E)=
 (F)=

No.	Lev.	Parts No.	Description	Q'ty					
				(A)	(B)	(C)	(D)	(E)	(F)
1	1	114699-21220	NUT, WHEEL	1					
2	1	114699-21550	WASHER, FLYWHEEL	1					
3	1	114699-21600	FLYWHEEL ASSY, DE	1					
6	2	114699-21630	GEAR, RING	1					
7	1	22512-050140	KEY, 5X 14	1					

Fig.11. PISTON & CONNECTING ROD



(A)=L100V6CJ2T1CAAH
(B)=
(C)=

(D)=
(E)=
(F)=

No.	Lev.	Parts No.	Description	Q'ty						I	R
				(A)	(B)	(C)	(D)	(E)	(F)		
1	1	714310-22720	PISTON ASSY, D	1							
3	2	714310-22500	RING SET, PISTON	1							
9	1	114699-22300	PIN, PISTON D=23	1							
10	1	114310-22500	RING, SEEGER J23	2							
11	1	714310-22620	PISTON ASSY, 0.25 OS	1							1
13	2	714310-22540	RING SET, PISTON .25	1							1
17	1	714310-22580	PISTON ASSY, 0.50 OS	1							2
19	2	714310-22550	RING SET, PISTON .50	1							2
24	1	11432C-23700	ROD ASSY, CONNECTING	1							2
28	3	114310-23200	BOLT, CONNECTING ROD	2							
29	2	114940-23600	METAL ASSY, CRANK PIN	1							
31	1	114940-23610	METAL ASSY, PIN .25	1							1
33	1	114940-23620	METAL ASSY, PIN .50	1							2
35	1	114940-23910	BUSH, PISTON PINN	1							3

Remarks
(1)Over-sized(O.S.=0.25) parts.
(2)Over-sized(O.S.=0.50) parts.
(3)Spare parts.

OCC50-M02810 ENGINE

Fig.12. BALANCER SHAFT

OCC50-M02810 Fig.12

(A)=L100V6CJ2T1CAAH
(B)=
(C)=

(D)=
(E)=
(F)=

No.	Lev.	Parts No.	Description	Q'ty					
				(A)	(B)	(C)	(D)	(E)	(F)
1	1	714310-28510	SHAFT ASSY, BALANCER	1					
6	1	24101-063040	BEARING, BALL 6304C3	2					

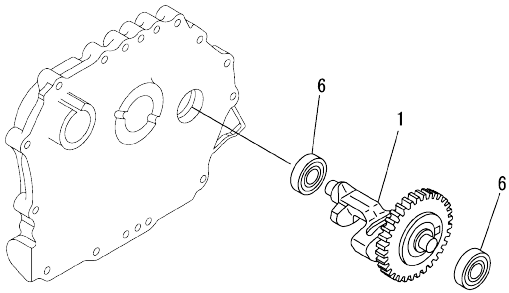
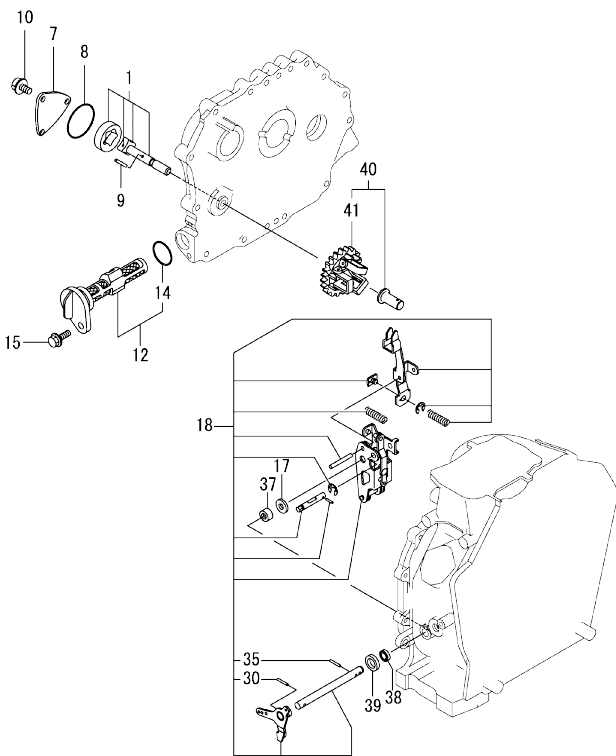


Fig.13. LUB. OIL PUMP & GOVERNOR



(A)=L100V6CJ2T1CAAH
(B)=
(C)=

(D)=
(E)=
(F)=

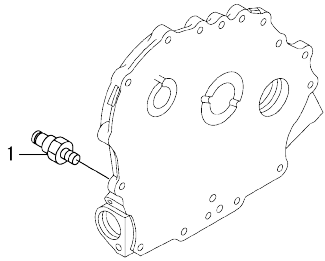
No.	Lev.	Parts No.	Description	Q'ty						I	R
				(A)	(B)	(C)	(D)	(E)	(F)		
1	1	114650-32010	PUMP ASSY, OIL	1							
7	1	114299-32070	COVER, OIL PUMP	1							
8	1	114299-32570	O-RING, PUMP COVER	1							
9	1	22312-030160	PIN, PARALLEL M3X16	1							
10	1	26106-060122	BOLT, M6X 12 PLATED	3							
12	1	114299-35110	FILTER ASSY, OIL	1							
14	2	24341-000224	O-RING, 1AS22.4	1							
15	1	26106-060162	BOLT, M6X 16 PLATED	1							
17	1	114299-61190	WASHER, GOVERNOR	1							
18	1	114310-61500	LEVER ASSY, GOVERNOR	1							1
30	2	22322-030200	PIN, TAPER 3X20	1							
35	2	22322-030200	PIN, TAPER 3X20	1							
37	1	114770-61520	BEARING, NEEDLE	2							
38	1	114299-61600	SEAL, OIL	1							
39	1	114770-61610	WASHER, THRUST	1							
40	1	714210-61701	GOVERNOR ASSY	1							
41	2	114210-61290	WEIGHT ASSY, GOVERNOR	1							

Remarks

(1) On a guarantee of quality, component parts shall not be sold.

OCC50-M02810 ENGINE

Fig.14. SWITCH(OIL PRESSURE)



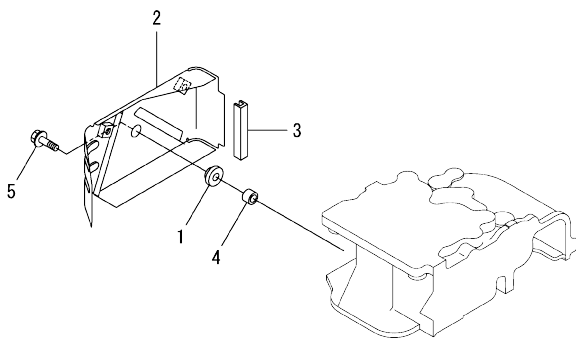
OCC50-M02810 Fig.14

(A)=L100V6CJ2T1CAAH
(B)=
(C)=

(D)=
(E)=
(F)=

No.	Lev.	Parts No.	Description	Q'ty					
				(A)	(B)	(C)	(D)	(E)	(F)
1	1	183250-39450	SWITCH, PRESSURE	1					

OCC50-M02810 ENGINE
 Fig.15. COVER



OCC50-M02810 Fig.15

(A)=L100V6CJ2T1CAAH
 (B)=
 (C)=

(D)=
 (E)=
 (F)=

No.	Lev.	Parts No.	Description	Q'ty					
				(A)	(B)	(C)	(D)	(E)	(F)
1	1	114299-45220	GROMMET, TANK	1					
2	1	114310-45260	COVER, SIDE B	1					
3	1	114399-45320	RUBBER, SEAL	1					
4	1	114399-45340	COLLAR	1					
5	1	26106-060202	BOLT, M6X 20 PLATED	1					

Fig.16. COOLING FAN CASE

(A)=L100V6CJ2T1CAAH
(B)=
(C)=

(D)=
(E)=
(F)=

No.	Lev.	Parts No.	Description	Q'ty						I	R
				(A)	(B)	(C)	(D)	(E)	(F)		
1	1	114310-45150	CASE, COOLING FAN	1							
3	1	114299-45301	RUBBER, FAN CASE	4							
4	1	114299-45310	COLLAR, FAN CASE	4							
5	1	114699-45331	SEAL, FAN CASE	1							
6	1	114299-45350	BOLT, FAN CASE	4							

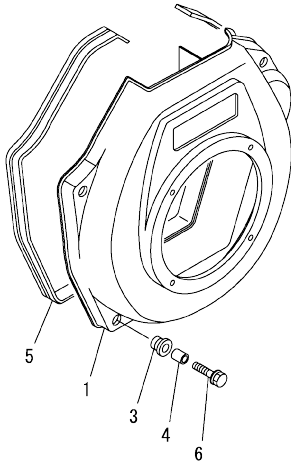
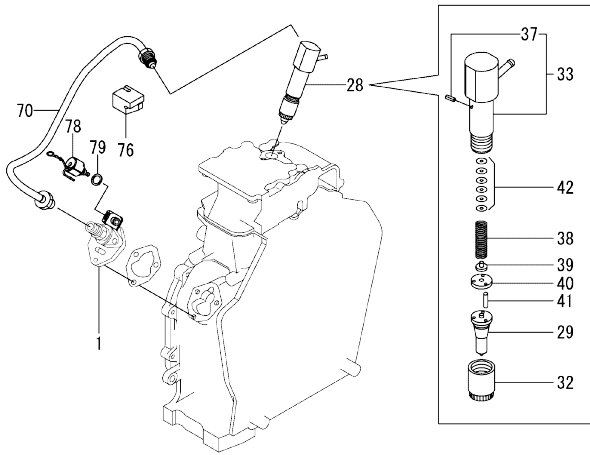


Fig.17. FUEL INJECTION PUMP & FUEL INJECTION VALVE



(A)=L100V6CJ2T1CAAH
(B)=
(C)=

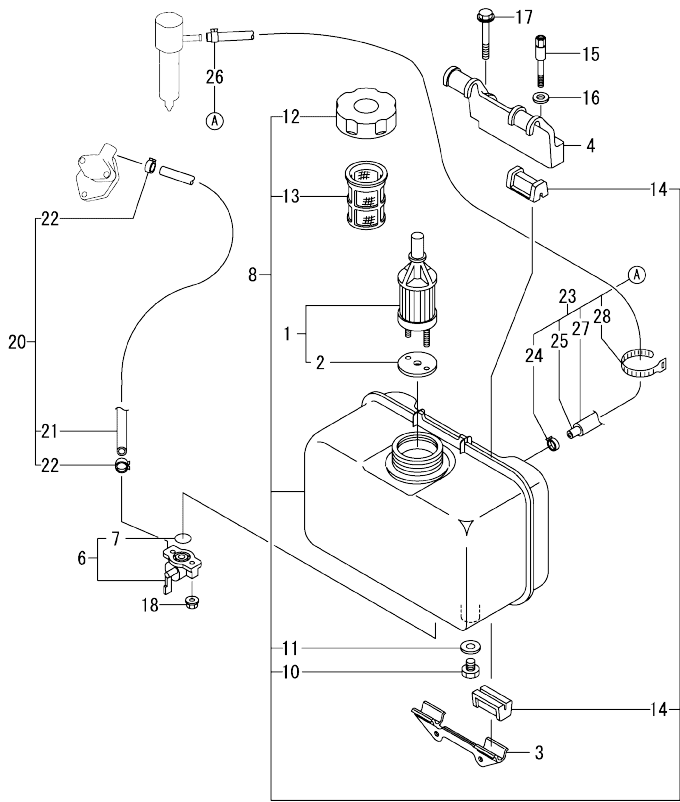
(D)=
(E)=
(F)=

No.	Lev.	Parts No.	Description	Q'ty						I	R
				(A)	(B)	(C)	(D)	(E)	(F)		
1	1	714349-51640	PUMP ASSY, INJECTION	1							1
28	1	714349-53100	VALVE ASSY,INJECTION	1							
29	2	114349-53000	VALVE ASSY,INJECTION	1							
32	2	114250-53080	NUT, NOZZLE	1							
33	2	114339-53100	HOLDER ASSY, NOZZLE	1							
37	3	22351-025005	PIN, SPRING 2.5X 6	1							
38	2	114250-53120	SPRING, NOZZLE	1							
39	2	114250-53130	SEAT, SPRING	1							
40	2	114250-53140	SPACER, VALVE STOP	1							
41	2	114250-53210	PIN, POSITIONING	2							
42	2	119803-53400	SHIM SET	1							
70	1	114310-59800	PIPE ASSY, INJECTION	1							
76	1	114699-59850	SUPPORT, PIPE	1							
78	1	114110-76910	VALVE ASSY, FUEL CUT	1							
79	1	114299-83020	GASKET, 10X1.2	1							

Remarks

(1)On a guarantee of quality, component parts shall not be sold.

Fig.18. FUEL TANK & FUEL PIPE

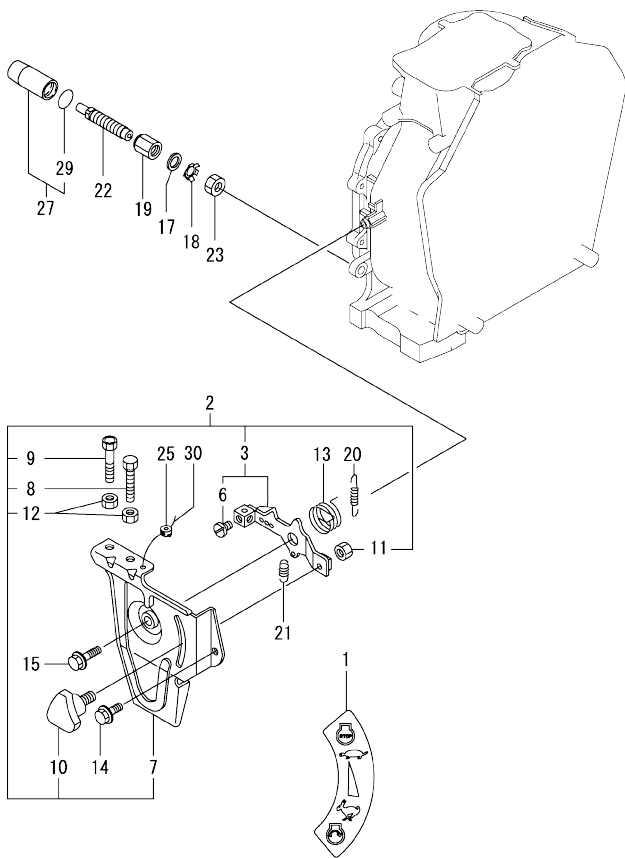


(A)=L100V6CJ2T1CAAH
(B)=
(C)=

(D)=
(E)=
(F)=

No.	Lev.	Parts No.	Description	Q'ty						I	R
				(A)	(B)	(C)	(D)	(E)	(F)		
1	1	114250-55122	FILTER ASSY,FUEL OIL	1							
2	2	114250-55130	GASKET	1							
3	1	114210-55220	STAY, FUEL TANK A	1							
4	1	114310-55230	STAY, FUEL TANK B	1							
6	1	114240-55300	COCK ASSY, FUEL	1							
7	2	24311-000125	O-RING, 1AP12.5	1							
8	1	11432C-55710	TANK ASSY, FUEL OIL	1							
10	2	114299-55080	PLUG, DRAIN	1							
11	2	23414-080000	GASKET, 8X1.0	1							
12	2	114299-55040	CAP ASSY, FUEL TANK	1							
13	2	114299-55110	STRAINER, FUEL TANK	1							
14	2	114740-55200	DAMPER, FUEL TANK	4							
15	1	114210-55810	BOLT, LIFTING	1							
16	1	22117-080000	WASHER, 8	1							
17	1	26106-080452	BOLT, M8X 45 PLATED	1							
18	1	26366-060002	NUT, M6	2							
20	1	114780-59010	PIPE ASSY, FUEL L50	1							
21	2	114780-59060	PIPE, FUEL L=50	1							
22	2	23080-014000	CLAMP, 14	2							
23	1	114339-59301	PIPE ASSY, FO RETURN	1							
24	2	124722-59050	CLAMP, HOSE 9	1							
25	2	114310-59061	PIPE, FO RETURN	1							
26	2	124066-59100	CLAMP, HOSE 8	1							
27	2	114310-59310	HOSE, PROTECTION	1							
28	2	121750-59890	BAND, NYLON	1							

Fig.19. CONTROL DEVICE

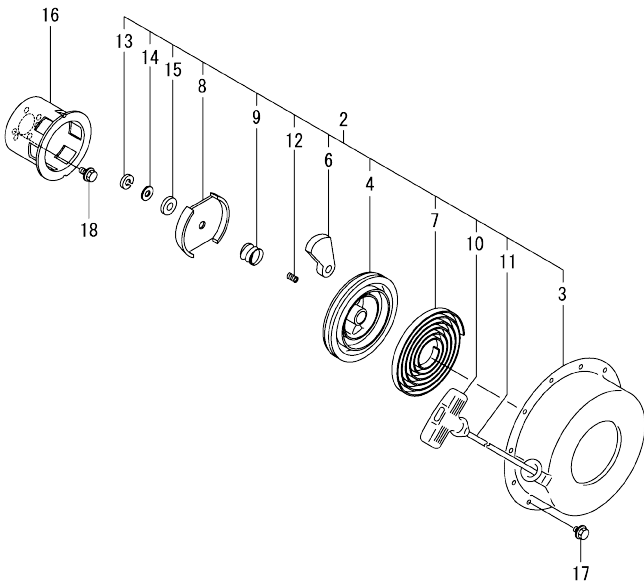


(A)=L100V6CJ2T1CAAH
(B)=
(C)=

(D)=
(E)=
(F)=

No.	Lev.	Parts No.	Description	Q'ty						I	R
				(A)	(B)	(C)	(D)	(E)	(F)		
1	1	114220-07160	LABEL, THAI	1							
2	1	714210-66100	CONTROL ASSY, SPEED	1							
3	2	114210-66060	HANDLE ASSY	1							
6	3	26117-050089	BOLT, M5X 8 PLATED	1							
7	2	114210-66100	BRACKET, REGULATOR	1							
8	2	114299-66440	BOLT, ADJUSTER	1							
9	2	114299-67080	BOLT, ADJUST	1							
10	2	160725-78350	BOLT, KNOB M6X15	1							
11	2	26347-060002	NUT, M6	1							
12	2	26857-060002	NUT, M6	2							
13	1	114299-66250	SPRING, RETURN	1							
14	1	26106-060142	BOLT, M6X 14 PLATED	1							
15	1	26106-060202	BOLT, M6X 20 PLATED	1							
17	1	114295-61810	WASHER, PLAIN 14	1							
18	1	114771-61830	PLATE	1							
19	1	114295-61940	NUT, PROTECTOR M14	1							
20	1	114310-66010	SPRING, REGULATOR	1							
21	1	114299-66201	SPRING, RETURN	1							
22	1	114771-66600	LIMITER ASSY, FUEL	1							
23	1	114295-66690	NUT, LOCK M14	1							
25	1	114780-61090	TIN	1							
27	1	114295-61980	PROTECTOR ASSY	1							
29	2	24311-000180	O-RING, 1AP18.0	1							
30	1	22451-060000	WIRE, 0.6	1							

Fig.20. RECOIL STARTER



(A)=L100V6CJ2T1CAAH
(B)=
(C)=

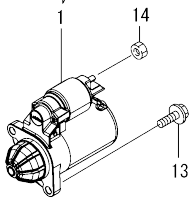
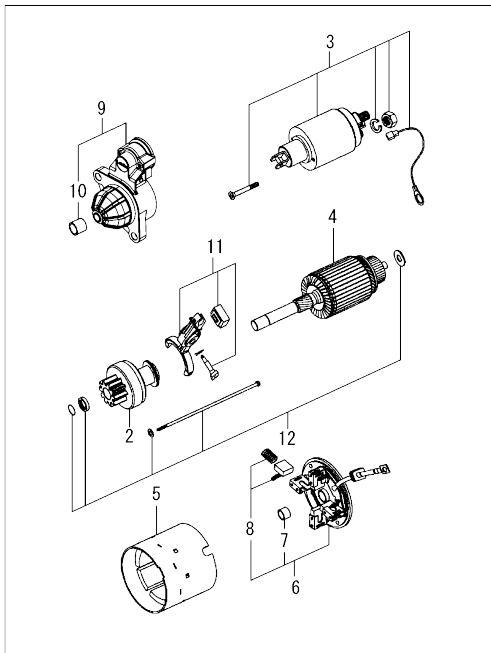
(D)=
(E)=
(F)=

No.	Lev.	Parts No.	Description	Q'ty						I	R
				(A)	(B)	(C)	(D)	(E)	(F)		
2	2	114699-76251	STARTER ASSY, RECOIL	1							
3	3	114699-76510	CASE, STARTER	1							
4	3	114699-76521	REEL, RECOIL STARTER	1							
6	3	114699-76531	RATCHET	2							
7	3	114399-76540	SPRING, SPIRAL	1							
8	3	114699-76551	GUIDE, RATCHET	1							
9	3	114699-76560	SPRING, FRICTION	1							
10	3	114399-76620	KNOB, STARTER	1							
11	3	114699-76630	ROPE, STARTER	1							
12	3	114699-76650	SPRING, COMPRESSION	1							
13	3	114699-76660	RING, RETAINING	1							
14	3	114699-76670	WASHER	1							
15	3	114699-76680	WASHER	1							
16	2	114699-76592	PULLEY, STARTER	1							
17	1	26106-060082	BOLT, M6X 8 PLATED	4							
18	1	26106-060122	BOLT, M6X 12 PLATED	3							

Fig.21. STARTER MOTOR

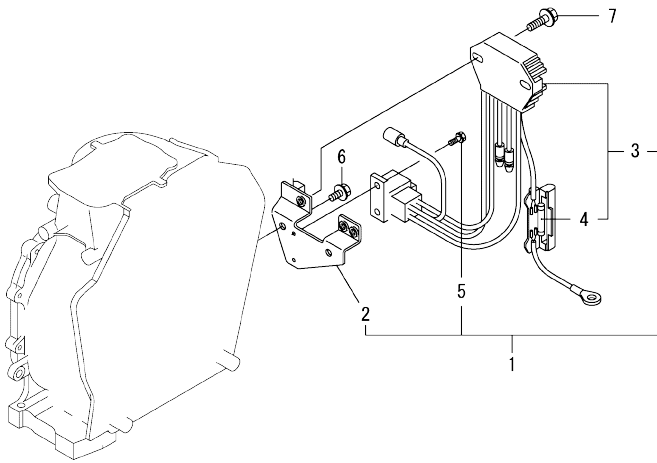
(A)=L100V6CJ2T1CAAH
(B)=
(C)=

(D)=
(E)=
(F)=



No.	Lev.	Parts No.	Description	Q'ty					
				(A)	(B)	(C)	(D)	(E)	(F)
1	1	114320-77010	MOTOR ASSY, STARTER	1					
2	2	114399-77040	CLUTCH ASSY, PINION	1					
3	2	114399-77060	SWITCH ASSY, MAGNET	1					
4	2	114320-77110	ARMATURE ASSY	1					
5	2	114320-77130	YOKE ASSY	1					
6	2	114399-77140	COVER ASSY, REAR	1					
7	3	114399-77050	BUSH, REAR	1					
8	3	114399-77160	HOLDER ASSY, BRUSH	4					
9	2	114399-77150	CASE ASSY, GEAR	1					
10	3	114399-77030	BUSH, TOP	1					
11	2	114399-77180	LEVER KIT, SHIFT	1					
12	2	114320-77770	BOLT ASSY, THROUGH	2					
13	1	26106-100302	BOLT, M10X 30 PLATED	2					
14	1	26716-080002	NUT, M8	1					

Fig.22. ELECTRIC PARTS



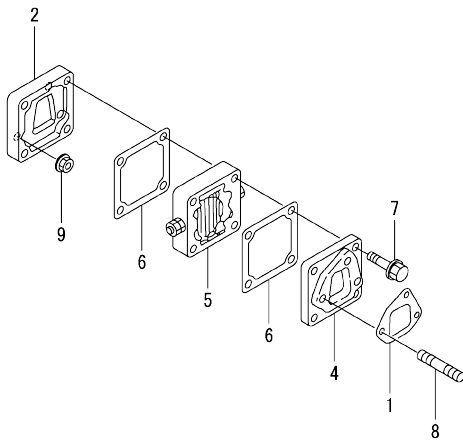
(A)=L100V6CJ2T1CAAH
(B)=
(C)=

(D)=
(E)=
(F)=

No.	Lev.	Parts No.	Description	Q'ty					
				(A)	(B)	(C)	(D)	(E)	(F)
1	1	114399-77560	REGULATOR ASSY	1					
2	2	114399-77410	BRACKET, HARNESS	1					
3	2	114399-77720	REGULATOR	1					
4	3	114399-78000	FUSE, 20A	1					
5	2	26023-040102	SCREW, M4X10	2					
6	1	26106-060122	BOLT, M6X 12 PLATED	2					
7	1	26106-060202	BOLT, M6X 20 PLATED	2					

OCC50-M02810 ENGINE
 Fig.23. AIR HEATER

OCC50-M02810 Fig.23



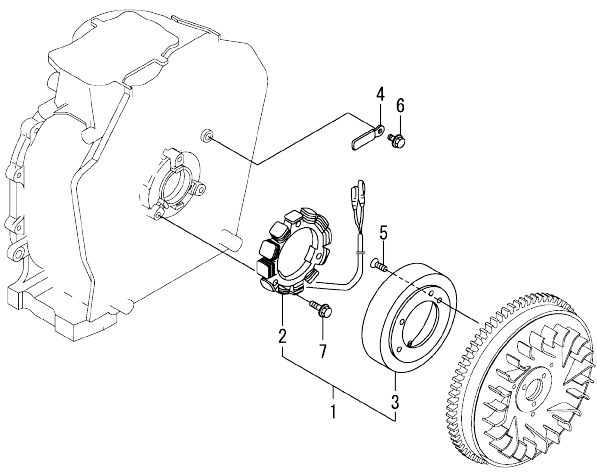
(A)=L100V6CJ2T1CAAH
 (B)=
 (C)=

(D)=
 (E)=
 (F)=

No.	Lev.	Parts No.	Description	Q'ty					
				(A)	(B)	(C)	(D)	(E)	(F)
1	1	114699-12210	GASKET, AIR CLEANER	1					
2	1	114310-12220	SPACER, AIR HEATER	1					
4	1	114652-12230	SPACER, AIR HEATER	1					
5	1	129100-77501	HEATER, AIR 11V	1					
6	1	129100-77510	GASKET, AIR HEATER	2					
7	1	26106-080402	BOLT, M8X 40 PLATED	4					
8	1	26226-060142	STUD, M6X 14	3					
9	1	26366-060002	NUT, M6	3					

OCC50-M02810 ENGINE
 Fig.24. DYNAMO

OCC50-M02810 Fig.24



(A)=L100V6CJ2T1CAAH
 (B)=
 (C)=

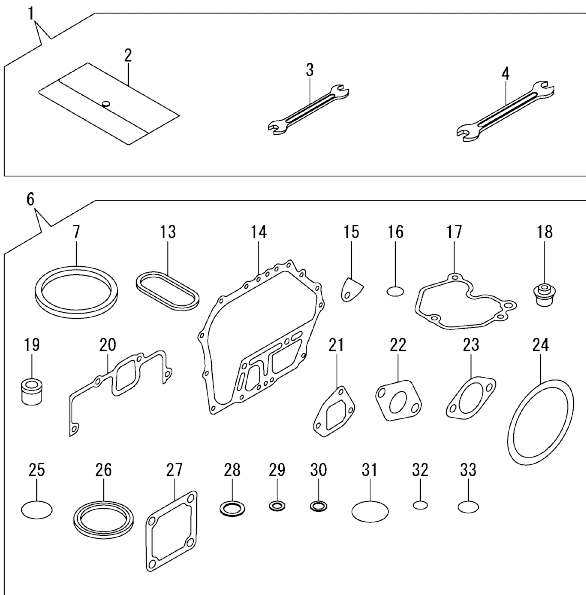
(D)=
 (E)=
 (F)=

No.	Lev.	Parts No.	Description	Q'ty					
				(A)	(B)	(C)	(D)	(E)	(F)
1	1	114399-78280	DINAMO ASSY, 15A	1					
2	2	114399-78770	STATOR ASSY	1					
3	2	114399-78780	WHEEL, DYNAMO	1					
4	1	160710-78710	CLAMP, CORD	1					
5	1	114210-78800	SCREW, M6	3					
6	1	26106-060122	BOLT, M6X 12 PLATED	1					
7	1	26106-060202	BOLT, M6X 20 PLATED	3					

Fig.26. GASKET SET & TOOL

(A)=L100V6CJ2T1CAAH
(B)=
(C)=

(D)=
(E)=
(F)=



No.	Lev.	Parts No.	Description	Q'ty						I	R
				(A)	(B)	(C)	(D)	(E)	(F)		
1	1	114299-92590	TOOL ASSY	1							
2	2	114299-92600	BAG, TOOL	1							
3	2	114299-92710	WRENCH	1							
4	2	114299-92720	WRENCH	1							
6	1	114320-92600	GASKET SET	1							1
7	2	114695-01331	GASKET, HEAD	1							
13	2	114699-01380	O-RING, TAPPET	1							
14	2	114699-01410	GASKET, CASE COVER	1							
15	2	114250-01841	GASKET, COVER	1							
16	2	114299-01950	O-RING, 18	2							
17	2	114310-11310	GASKET, BONNET	1							
18	2	114650-11341	SEAL, VALVE STEM	2							
19	2	114771-11461	GASKET, NOZZLE	1							
20	2	114310-12210	GASKET, AIR CLEANER	1							
21	2	114699-12210	GASKET, AIR CLEANER	2							
22	2	114310-13200	GASKET, MUFFLER	1							
23	2	183671-13211	GASKET, MUFFLER PIPE	1							
24	2	114399-21980	GASKET	1							
25	2	114299-32570	O-RING, PUMP COVER	1							
26	2	160393-55050	GASKET	4							
27	2	129100-77510	GASKET, AIR HEATER	3							
28	2	22190-160002	WASHER, SEAL 16	2							
29	2	23414-080000	GASKET, 8X1.0	1							
30	2	23414-120000	GASKET, 12X1.0	1							
31	2	24311-000400	O-RING, 1AP40.0	1							
32	2	24341-000150	O-RING, 1AS15.0	2							
33	2	24341-000224	O-RING, 1AS22.4	1							

Remarks

(1)Optional parts.

Parts No. Index

Parts No.	Fig. No.	Ref. No.	Parts No.	Fig. No.	Ref. No.	Parts No.	Fig. No.	Ref. No.	Parts No.	Fig. No.	Ref. No.
104211-11370	4	27	114299-32570	26	25	114310-61500	13	18	114650-12590	6	8
114110-76910	17	78	114299-35110	13	12	114310-66010	19	20	114650-32010	13	1
114210-03590	4	39	114299-35150	1	40	114311-01450	1	35	114652-12230	23	4
114210-11901	4	31	114299-45220	15	1	11431C-11100	4	8	114695-01331	1	5
114210-14300	8	2	114299-45301	16	3	11431C-11110	4	9		26	7
114210-55220	18	3	114299-45310	16	4	11431C-11250	4	14	114699-01380	1	11
114210-55810	18	15	114299-45350	16	6	11431C-11260	4	15		26	13
114210-61290	13	41	114299-55040	18	12	11431C-11650	4	16	114699-01410	1	34
114210-66060	19	3	114299-55080	18	10	11431C-11660	4	20		26	14
114210-66100	19	7	114299-55110	18	13	11431C-13550	7	2	114699-01760	2	2
114210-78800	24	5	114299-61190	13	17	11431C-13560	7	3	114699-11600	4	30
114220-07100	3	4	114299-61600	13	38	11431C-13700	7	4	114699-12210	6	1
114220-07110	3	6	114299-66201	19	21	11431C-13710	7	5		23	1
114220-07130	3	13	114299-66250	19	13	11431C-13720	7	6		26	21
114220-07160	3	15	114299-66440	19	8	11431C-21730	9	1	114699-21220	10	1
	19	1	114299-67080	19	9	114320-77010	21	1	114699-21550	10	2
114240-11450	4	28	114299-83020	17	79	114320-77110	21	4	114699-21600	10	3
114240-11550	4	29	114299-92590	26	1	114320-77130	21	5	114699-21630	10	6
114240-55300	18	6	114299-92600	26	2	114320-77770	21	12	114699-22300	11	9
114250-01841	1	27	114299-92710	26	3	114320-92600	26	6	114699-45331	16	5
	26	15	114299-92720	26	4	11432C-23700	11	24	114699-59850	17	76
114250-11240	4	18	114310-01010	1	1	11432C-55710	18	8	114699-76251	20	2
		22	114310-01200	4	1	114339-53100	17	33	114699-76510	20	3
114250-53080	17	32	114310-01210	4	2	114339-59301	18	23	114699-76521	20	4
114250-53120	17	38	114310-11050	4	3	114349-53000	17	29	114699-76531	20	6
114250-53130	17	39	114310-11120	4	10	114351-77520	25	1	114699-76551	20	8
114250-53140	17	40	114310-11180	4	11	114399-21980	26	24	114699-76560	20	9
114250-53210	17	41	114310-11290	4	25	114399-45320	15	3	114699-76592	20	16
114250-55122	18	1	114310-11310	4	36	114399-45340	15	4	114699-76630	20	11
114250-55130	18	2		26	17	114399-76540	20	7	114699-76650	20	12
114252-12550	6	11	114310-11930	4	12	114399-76620	20	10	114699-76660	20	13
114252-12560	6	7	114310-11950	4	37	114399-77030	21	10	114699-76670	20	14
114295-61810	19	17	114310-12050	5	1	114399-77040	21	2	114699-76680	20	15
114295-61940	19	19	114310-12210	5	2	114399-77050	21	7	114740-55200	18	14
114295-61980	19	27		26	20	114399-77060	21	3	114770-61520	13	37
114295-66690	19	23	114310-12220	23	2	114399-77140	21	6	114770-61610	13	39
114299-01600	1	12	114310-13200	7	1	114399-77150	21	9	114771-11461	26	19
114299-01690	2	1		26	22	114399-77160	21	8	114771-61830	19	18
114299-01800	1	13	114310-14200	8	1	114399-77180	21	11	114771-66600	19	22
114299-01830	1	26	114310-14400	8	7	114399-77410	22	2	114780-59010	18	20
114299-01950	2	4	114310-14580	8	8	114399-77560	22	1	114780-59060	18	21
	26	16	114310-22500	11	10	114399-77720	22	3	114780-61090	19	25
114299-02030	1	45	114310-23200	11	28	114399-78000	22	4	114940-02110	1	37
114299-03640	4	42	114310-45150	16	1	114399-78280	24	1	114940-02200	1	42
114299-07101	3	5	114310-45260	15	2	114399-78770	24	2	114940-02210	1	43
114299-07111	3	7	114310-45360	5	5	114399-78780	24	3	114940-23600	11	29
114299-07160	3	8	114310-55230	18	4	114650-02150	1	46	114940-23610	11	31
114299-12300	6	2	114310-59061	18	25	114650-11341	4	26	114940-23620	11	33
114299-32070	13	7	114310-59310	18	27		26	18	114940-23910	11	35
114299-32570	13	8	114310-59800	17	70	114650-12550	6	10	114980-12530	6	6

Parts No. Index

Parts No.	Fig. No.	Ref. No.
119803-53400	17	42
121750-59890	18	28
124066-59100	18	26
124722-59050	18	24
129100-77501	23	5
129100-77510	23	6
	26	27
160393-55050	26	26
160710-78710	24	4
160725-78350	19	10
160842-21150	9	10
160842-21250	9	11
160842-21260	9	12
183250-39450	14	1
183671-12520	6	5
183671-13211	26	23
22117-080000	18	16
22190-160002	2	5
	26	28
22242-000150	4	24
22312-030160	4	45
	13	9
22312-040080	1	28
22322-030200	13	30
		35
22351-025005	17	37
22351-040008	4	32
22451-060000	19	30
22512-050140	10	7
23080-014000	18	22
23414-080000	18	11
	26	29
23414-120000	26	30
23875-020000	1	29
24101-063040	12	6
24162-152220	1	47
24311-000125	18	7
24311-000180	19	29
24311-000400	26	31
24341-000150	26	32
24341-000224	13	14
	26	33
24423-355008	1	48
		49
26023-040102	22	5
26106-060082	20	17
26106-060122	13	10
	20	18
	22	6
	24	6

Parts No.	Fig. No.	Ref. No.
26106-060142	19	14
26106-060162	13	15
26106-060202	15	5
	19	15
	22	7
	24	7
26106-060352	5	6
26106-060402	5	7
26106-060652	4	49
26106-080122	1	50
26106-080202	7	7
26106-080352	1	41
26106-080402	23	7
26106-080452	18	17
26106-100302	21	13
26117-050089	19	6
26216-080182	7	9
26226-060142	23	8
26226-060162	5	3
26226-060182	1	30
26226-060222	1	31
26226-060552	4	33
26306-080002	7	10
26347-060002	19	11
26366-060002	1	32
	4	34
	18	18
	23	9
26716-080002	21	14
26856-060002	4	19
		23
26857-060002	19	12
714210-61701	13	40
714210-66100	19	2
714310-22500	11	3
714310-22540	11	13
714310-22550	11	19
714310-22580	11	17
714310-22620	11	11
714310-22720	11	1
714310-28510	12	1
714349-51640	17	1
714349-53100	17	28
783671-12560	6	3

Parts No.	Fig. No.	Ref. No.
-----------	----------	----------

Parts No.	Fig. No.	Ref. No.
-----------	----------	----------