

0CC50-M01730EN

P R E F A C E

This parts catalog is the 1st edition of L70V5AJ8T2AAWK for WACKER.

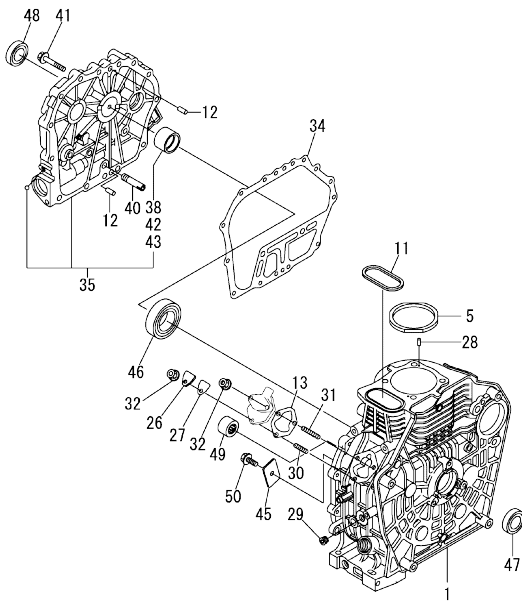
Published : June, 2019

Contents

0CC50-M01730

Fig. No.	Fig. Name	Fig. No.	Fig. Name
	ENGINE	25.	GASKET SET
1.	CYLINDER BLOCK		
2.	DRAIN PLUG		
3.	LABEL		
4.	CYLINDER HEAD & BONNET		
5.	AIR CLEANER		
6.	PRE CLEANER		
7.	EXHAUST MUFFLER		
8.	CAMSHAFT		
9.	CRANKSHAFT		
10.	FLYWHEEL		
11.	PISTON & CONNECTING ROD		
12.	BALANCER SHAFT		
13.	LUB. OIL PUMP & GOVERNOR		
14.	SWITCH(OIL PRESSURE)		
15.	COVER		
16.	COOLING FAN CASE		
17.	FUEL INJECTION PUMP & FUEL INJECTION VALVE		
18.	FUEL TANK & FUEL PIPE		
19.	CONTROL DEVICE		
20.	RECOIL STARTER		
21.	STARTER MOTOR		
22.	ELECTRIC PARTS		
23.	DYNAMO		
24.	ACCESSORY		

Fig.1. CYLINDER BLOCK



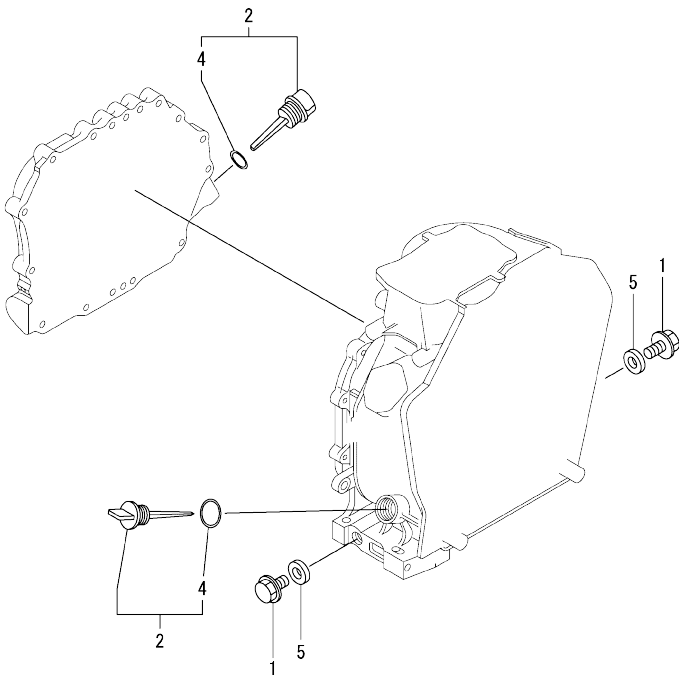
(A)=L70V5AJ8T2AAWK
(B)=
(C)=

(D)=
(E)=
(F)=

No.	Lev.	Parts No.	Description	Q'ty						I	R
				(A)	(B)	(C)	(D)	(E)	(F)		
1	1	114210-01020	BLOCK ASSY, CYLINDER	1							
5	1	114395-01331	GASKET, HEAD	1							
11	1	114399-01380	O-RING, TAPPET	1							
12	1	114299-01600	PIN, PARALLEL 8X12	2							
13	1	114299-01800	SHIM SET, PUMP	1							
26	1	114299-01830	COVER, PUMP	1							
27	1	114250-01841	GASKET, COVER	1							
28	1	22312-040080	PIN, PARALLEL M4X 8	2							
29	1	23875-020000	PLUG, R02	1							
30	1	26226-060182	STUD, M6X 18	1							
31	1	26226-060222	STUD, M6X 22	2							
32	1	26366-060002	NUT, M6	3							
34	1	114399-01410	GASKET, CASE COVER	1							
35	1	114211-01450	COVER, CRANK CASE	1							
38	2	114840-02110	BEARING, MAIN	1							1
40	1	114299-35150	PIPE, OIL INLET	1							
41	1	26106-080352	BOLT, M8X 35 PLATED	15							
42	1	114840-02200	BEARING, MAIN 0.25OS	1							2
43	1	114840-02210	BEARING, MAIN 0.50OS	1							3
45	1	114299-02030	RETAINER, BEARING	1							
46	1	114350-02113	BEARING, B35-135G3C3	1							
47	1	160110-02220	SEAL, OIL 30X45X8	1							
48	1	160110-02220	SEAL, OIL 30X45X8	1							
49	1	24162-152116	BEARING, 152116	1							
50	1	26106-080122	BOLT, M8X 12 PLATED	1							

Remarks
(1)Spare parts.
(2)Over-sized(O.S.=0.25) parts.
(3)Over-sized(O.S.=0.50) parts.

OCC50-M01730 ENGINE
 Fig.2. DRAIN PLUG



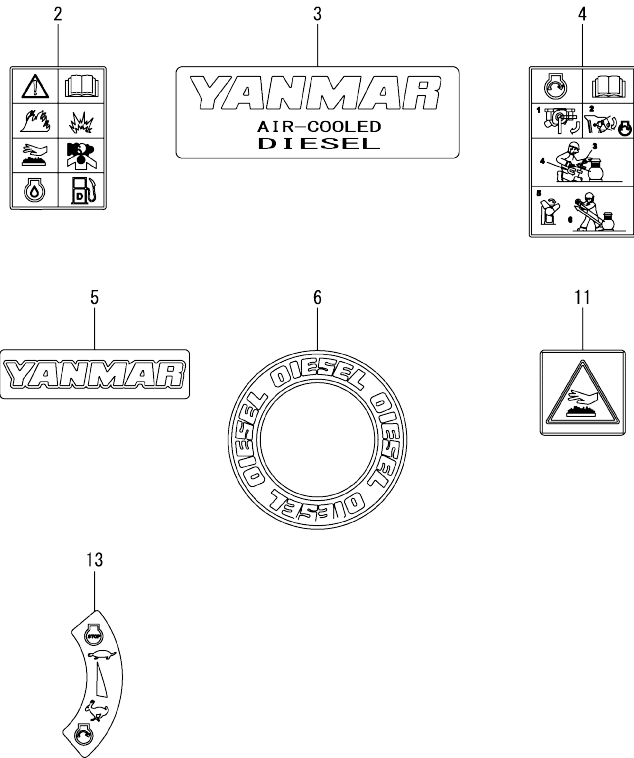
OCC50-M01730 Fig.2

(A)=L70V5AJ8T2AAWK
 (B)=
 (C)=

(D)=
 (E)=
 (F)=

No.	Lev.	Parts No.	Description	Q'ty					
				(A)	(B)	(C)	(D)	(E)	(F)
1	1	114299-01690	PLUG, DRAIN 16	2					
2	1	114699-01760	CAP ASSY, OIL SUPPLY	2					
4	2	114299-01950	O-RING, 18	2					
5	1	22190-160002	WASHER, SEAL 16	2					

Fig.3. LABEL

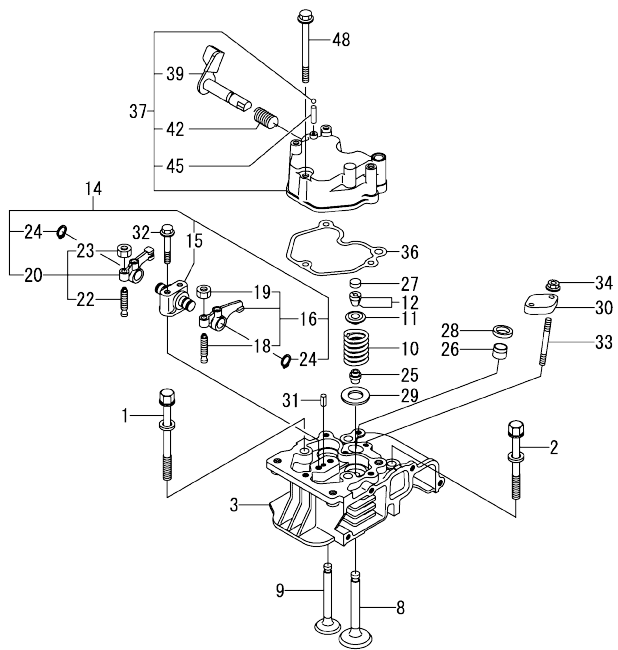


(A)=L70V5AJ8T2AAWK
(B)=
(C)=

(D)=
(E)=
(F)=

No.	Lev.	Parts No.	Description	Q'ty					
				(A)	(B)	(C)	(D)	(E)	(F)
2	1	114220-07100	LABEL, CAUTION	1					
3	1	114299-07101	LABEL, YANMAR MARK A	1					
4	1	114220-07110	LABEL, HOW TO START	1					
5	1	114299-07111	LABEL, YANMAR MARK B	1					
6	1	114299-07160	LABEL, DIESEL	1					
11	1	114220-07130	LABEL, HOT SURFACE	1					
13	1	114220-07160	LABEL, THAI	1					

Fig.4. CYLINDER HEAD & BONNET

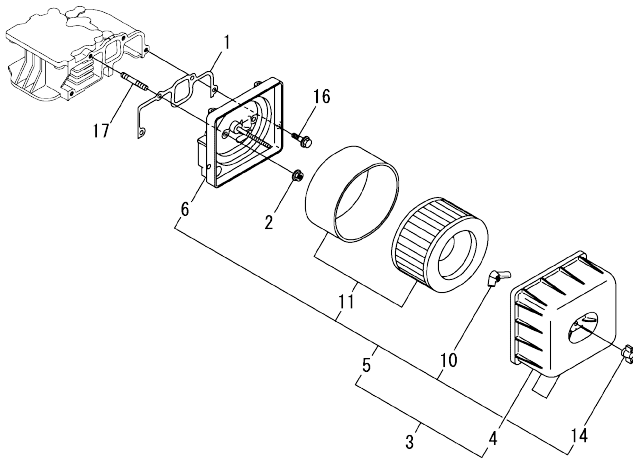


(A)=L70V5AJ8T2AAWK
(B)=
(C)=

(D)=
(E)=
(F)=

No.	Lev.	Parts No.	Description	Qty						I	R		
				(A)	(B)	(C)	(D)	(E)	(F)				
1	1	114210-01200	BOLT, HEAD A										
2	1	114210-01210	BOLT, HEAD B										
3	1	114211-11020	HEAD, CYLINDER										
8	1	11421C-11100	VALVE, INTAKE										
9	1	11421C-11110	VALVE, EXHAUST										
10	1	114210-11120	SPRING, VALVE										
11	1	114210-11180	RETAINER, SPRING										
12	1	114210-11930	COTTER ASSY										
14	1	11421C-11250	SUPPORT ASSY, ARM										
15	2	11421C-11260	SUPPORT, ROCKER ARM										
16	2	11421C-11650	ARM ASSY, ROCKER										
18	3	114250-11240	SCREW, VALVE ADJUST										
19	3	26856-060002	NUT, M6										
20	2	11421C-11660	ARM ASSY, ROCKER EXH										
22	3	114250-11240	SCREW, VALVE ADJUST										
23	3	26856-060002	NUT, M6										
24	2	22242-000120	RING, 12										
25	1	114350-11341	SEAL, VALVE STEM										
26	1	114240-11450	PROTECTOR, NOZZLE										
27	1	105010-11490	CAP, VALVE										
28	1	114240-11550	SEAT, NOZZLE										
29	1	114299-11600	WASHER, VALVE SPRING										
30	1	114210-11901	RETAINER, VALVE										
31	1	22351-040008	PIN, SPRING 4.0X 8										
32	1	26106-060402	BOLT, M6X 40 PLATED										
33	1	26226-060552	STUD, M6X 55										
34	1	26366-060002	NUT, M6										
36	1	114210-11310	GASKET, BONNET										
37	1	114210-11950	BONNET ASSY, HEAD										
39	2	114210-03590	DECOMPRESSION ASSY										
42	2	114299-03640	SPRING, DECOMPRESSION										
45	2	22312-030160	PIN, PARALLEL M3X16										
48	1	26106-060552	BOLT, M6X 55 PLATED										

Fig.5. AIR CLEANER

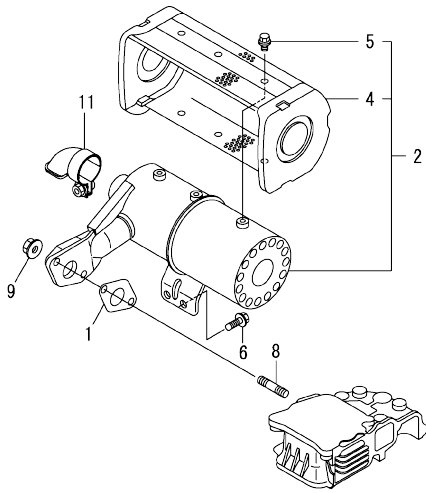


(A)=L70V5AJ8T2AAWK
(B)=
(C)=

(D)=
(E)=
(F)=

No.	Lev.	Parts No.	Description	Q'ty						
				(A)	(B)	(C)	(D)	(E)	(F)	
1	1	114210-12210	GASKET, AIR CLEANER	1						
2	1	114299-12300	NUT	3						
3	1	114220-12510	CLEANER ASSY, AIR	1						
4	2	114239-12520	COVER, AIR CLEANER	1						
5	2	114220-12910	CLEANER ASSY, AIR	1						
6	3	114220-12010	BODY ASSY, CLEANER	1						
10	3	114210-12560	NUT, WING	1						
11	3	114210-12590	ELEMENT ASSY	1						
14	3	114210-12600	KNOB	1						
16	1	26106-060202	BOLT, M6X 20 PLATED	1						
17	1	26226-060302	STUD, M6X 30	3						

Fig.7. EXHAUST MUFFLER

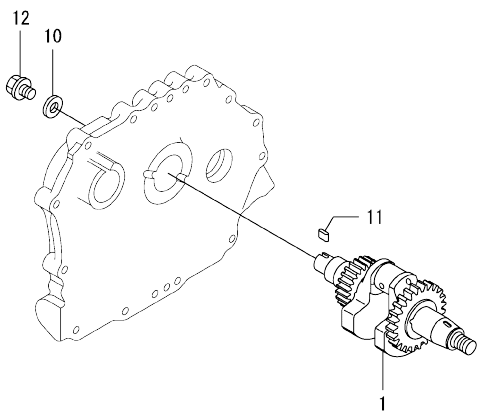


(A)=L70V5AJ8T2AAWK
(B)=
(C)=

(D)=
(E)=
(F)=

No.	Lev.	Parts No.	Description	Q'ty					
				(A)	(B)	(C)	(D)	(E)	(F)
1	1	114299-13200	GASKET, MUFFLER	1					
2	1	114368-13501	MUFFLER ASSY, E-T	1					
4	2	114268-13700	COVER, SILENCER	1					
5	2	26106-060082	BOLT, M6X 8 PLATED	6					
6	1	26106-060142	BOLT, M6X 14 PLATED	2					
8	1	26216-080182	STUD, M8X 18	2					
9	1	26306-080002	NUT, M8	2					
11	1	114299-13800	EXTENSION ASSY	1					

Fig.9. CRANKSHAFT

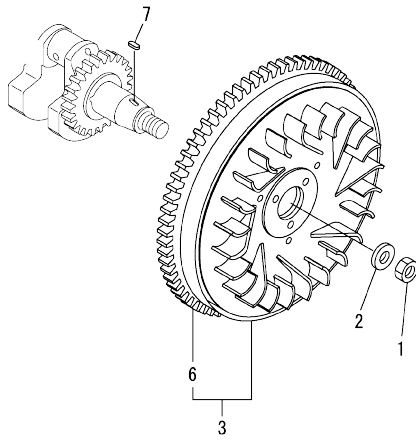


(A)=L70V5AJ8T2AAWK
(B)=
(C)=

(D)=
(E)=
(F)=

No.	Lev.	Parts No.	Description	Q'ty					
				(A)	(B)	(C)	(D)	(E)	(F)
1	1	11421C-21810	CRANKSHAFT ASSY, D	1					
10	1	160310-14550	WASHER, PULLEY	1					
11	1	22512-070360	KEY, 7X 36	1					
12	1	26106-080202	BOLT, M8X 20 PLATED	1					

OCC50-M01730 ENGINE
 Fig.10. FLYWHEEL



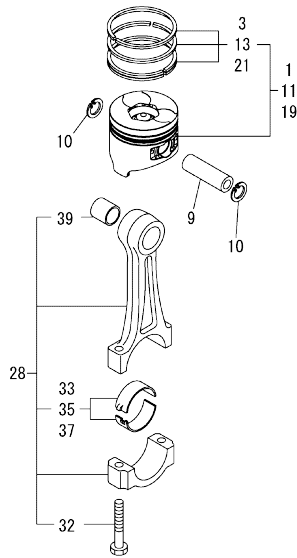
OCC50-M01730 Fig.10

(A)=L70V5AJ8T2AAWK
 (B)=
 (C)=

(D)=
 (E)=
 (F)=

No.	Lev.	Parts No.	Description	Q'ty					
				(A)	(B)	(C)	(D)	(E)	(F)
1	1	114299-21220	NUT, WHEEL	1					
2	1	114299-21550	WASHER, FLYWHEEL	1					
3	1	114399-21590	FLYWHEEL ASSY, DE	1					
6	2	114399-21600	GEAR, RING	1					
7	1	22512-040120	KEY, 4X 12	1					

Fig.11. PISTON & CONNECTING ROD



(A)=L70V5AJ8T2AAWK
(B)=
(C)=

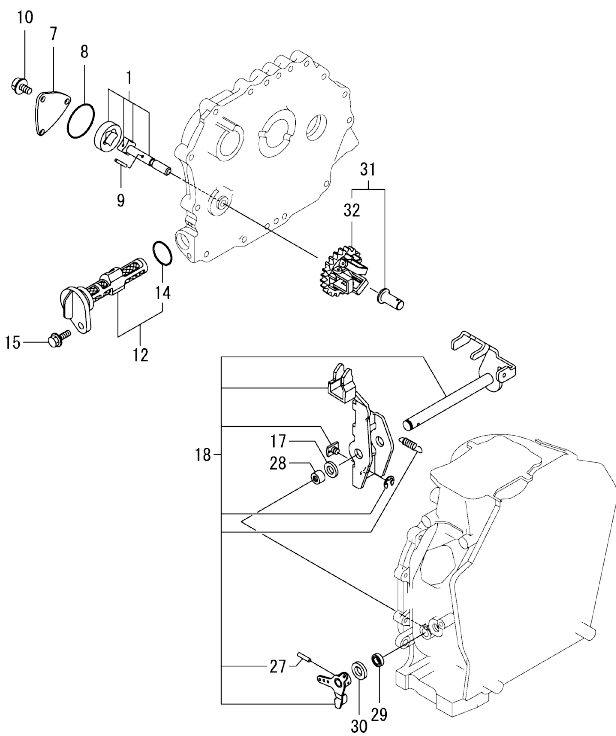
(D)=
(E)=
(F)=

No.	Lev.	Parts No.	Description	Q'ty						I	R
				(A)	(B)	(C)	(D)	(E)	(F)		
1	1	714210-22721	PISTON ASSY, D	1							
3	2	714870-22502	RING SET, PISTON	1							
9	1	114399-22300	PIN, PISTON D=21	1							
10	1	22252-000210	RING, 21	2							
11	1	114240-22040	PISTON ASSY, 0.25 OS	1							1
13	2	114220-22140	RING SET, PISTON .25	1							1
19	1	114240-22050	PISTON ASSY, 0.50 OS	1							2
21	2	114220-22150	RING SET, PISTON .50	1							2
28	1	11422C-23700	ROD ASSY, CONNECTING	1							
32	3	118200-23200	BOLT, CONNECTING ROD	2							
33	2	114840-23600	METAL, CRANK PIN	1							
35	1	114840-23610	METAL, CRANK PIN 0.25	1							1
37	1	114840-23620	METAL, CRANK PIN 0.50	1							2
39	1	114840-23910	BUSH, PISTON PINN	1							3

Remarks

- (1)Over-sized(O.S.=0.25) parts.
- (2)Over-sized(O.S.=0.50) parts.
- (3)Spare parts.

Fig.13. LUB. OIL PUMP & GOVERNOR



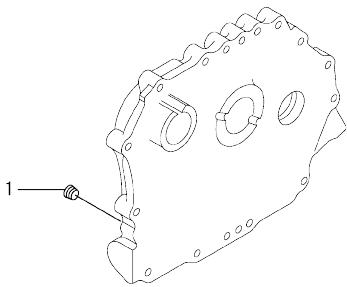
No.	Lev.	Parts No.	Description	Q'ty						I	R
				(A)	(B)	(C)	(D)	(E)	(F)		
1	1	114250-32010	PUMP ASSY, OIL	1							
7	1	114299-32070	COVER, OIL PUMP	1							
8	1	114299-32570	O-RING, PUMP COVER	1							
9	1	22312-030160	PIN, PARALLEL M3X16	1							
10	1	26106-060122	BOLT, M6X 12 PLATED	3							
12	1	114299-35110	FILTER ASSY, OIL	1							
14	2	24341-000224	O-RING, 1AS22.4	1							
15	1	26106-060162	BOLT, M6X 16 PLATED	1							
17	1	114299-61190	WASHER, GOVERNOR	1							
18	1	114810-61500	LEVER ASSY, GOVERNOR	1							1
27	2	22322-030200	PIN, TAPER 3X20	1							
28	1	114770-61520	BEARING, NEEDLE	2							
29	1	114299-61600	SEAL, OIL	1							
30	1	114770-61610	WASHER, THRUST	1							
31	1	714210-61701	GOVERNOR ASSY	1							
32	2	114210-61290	WEIGHT ASSY, GOVERNOR	1							

Remarks

(1) On a guarantee of quality, component parts shall not be sold.

OCC50-M01730 ENGINE

Fig.14. SWITCH(OIL PRESSURE)



OCC50-M01730 Fig.14

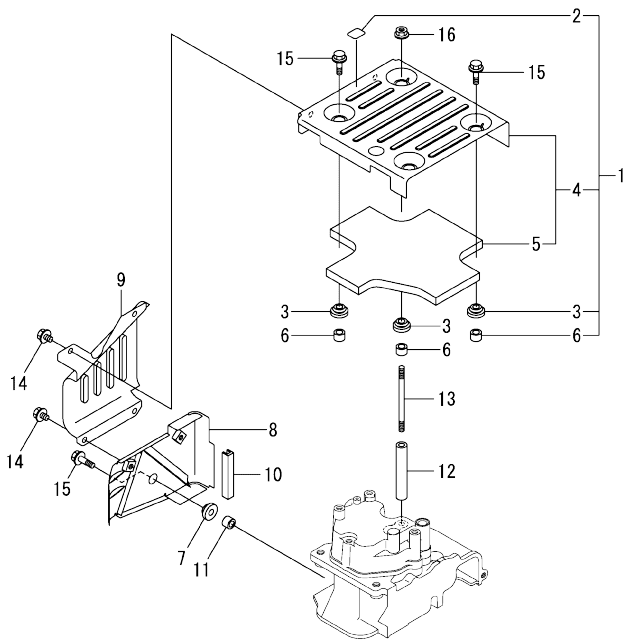
(A)=L70V5AJ8T2AAWK
(B)=
(C)=

(D)=
(E)=
(F)=

No.	Lev.	Parts No.	Description	Q'ty						I	R
				(A)	(B)	(C)	(D)	(E)	(F)		
1	1	23876-010000	PLUG, R01	1							

OCC50-M01730 ENGINE
 Fig.15. COVER

OCC50-M01730 Fig.15

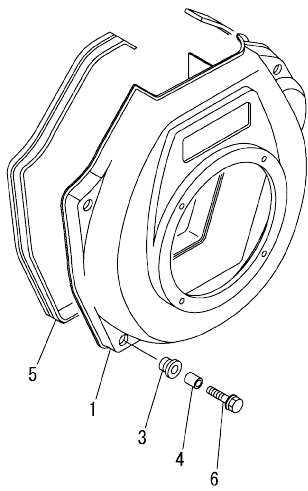


(A)=L70V5AJ8T2AAWK
 (B)=
 (C)=

(D)=
 (E)=
 (F)=

No.	Lev.	Parts No.	Description	Q'ty						I	R
				(A)	(B)	(C)	(D)	(E)	(F)		
1	1	114220-45210	COVER ASSY, TOP	1							
2	2	114220-07120	LABEL, DECOMPRESSION	1							
3	2	114299-45220	GROMMET, TANK	4							
4	2	114210-45320	COVER, TOP	1							
5	3	114210-45310	ACOUSTIC ABSORBENT	1							
6	2	114399-45340	COLLAR	4							
7	1	114299-45220	GROMMET, TANK	1							
8	1	114210-45260	COVER, SIDE B	1							
9	1	114210-45270	COVER, SIDE A	1							
10	1	114399-45320	RUBBER, SEAL	1							
11	1	114399-45340	COLLAR	1							
12	1	114210-45350	SPACER, TOP COVER	1							
13	1	114210-45360	STUD, M6X87	1							
14	1	26106-060082	BOLT, M6X 8 PLATED	4							
15	1	26106-060202	BOLT, M6X 20 PLATED	4							
16	1	26366-060002	NUT, M6	1							

Fig.16. COOLING FAN CASE

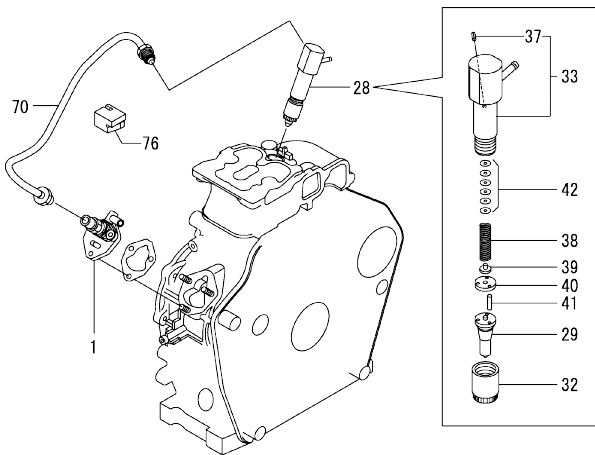


(A)=L70V5AJ8T2AAWK
(B)=
(C)=

(D)=
(E)=
(F)=

No.	Lev.	Parts No.	Description	Qty						I	R	
				(A)	(B)	(C)	(D)	(E)	(F)			
1	1	114210-45150	CASE, COOLING FAN	1								
3	1	114299-45301	RUBBER, FAN CASE	4								
4	1	114299-45310	COLLAR, FAN CASE	4								
5	1	114299-45331	SEAL, FAN CASE	1								
6	1	114299-45350	BOLT, FAN CASE	4								

Fig.17. FUEL INJECTION PUMP & FUEL INJECTION VALVE

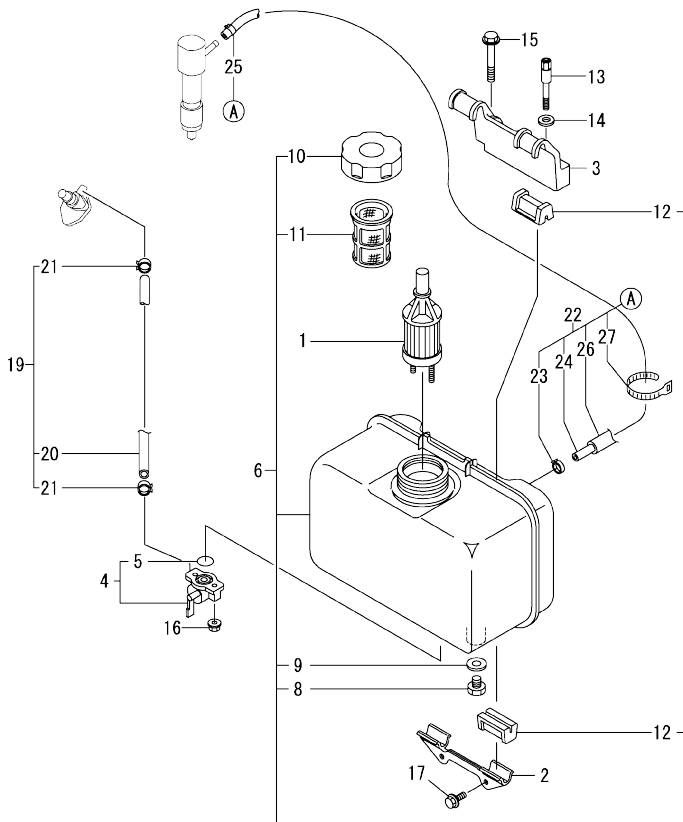


No.	Lev.	Parts No.	Description	Q'ty						I	R
				(A)	(B)	(C)	(D)	(E)	(F)		
1	1	714249-51410	PUMP ASSY, INJECTION	1							1
28	1	714249-53100	VALVE ASSY, INJECTION	1							
29	2	114249-53000	VALVE ASSY, INJECTION	1							
32	2	114250-53080	NUT, NOZZLE	1							
33	2	114339-53100	HOLDER ASSY, NOZZLE	1							
37	3	22351-025005	PIN, SPRING 2.5X 6	1							
38	2	114250-53120	SPRING, NOZZLE	1							
39	2	114250-53130	SEAT, SPRING	1							
40	2	114250-53140	SPACER, VALVE STOP	1							
41	2	114250-53210	PIN, POSITIONING	2							
42	2	119803-53400	SHIM SET	1							
70	1	114210-59800	PIPE ASSY, INJECTION	1							
76	1	114210-59850	SUPPORT, PIPE	1							

Remarks

(1) On a guarantee of quality, component parts shall not be sold.

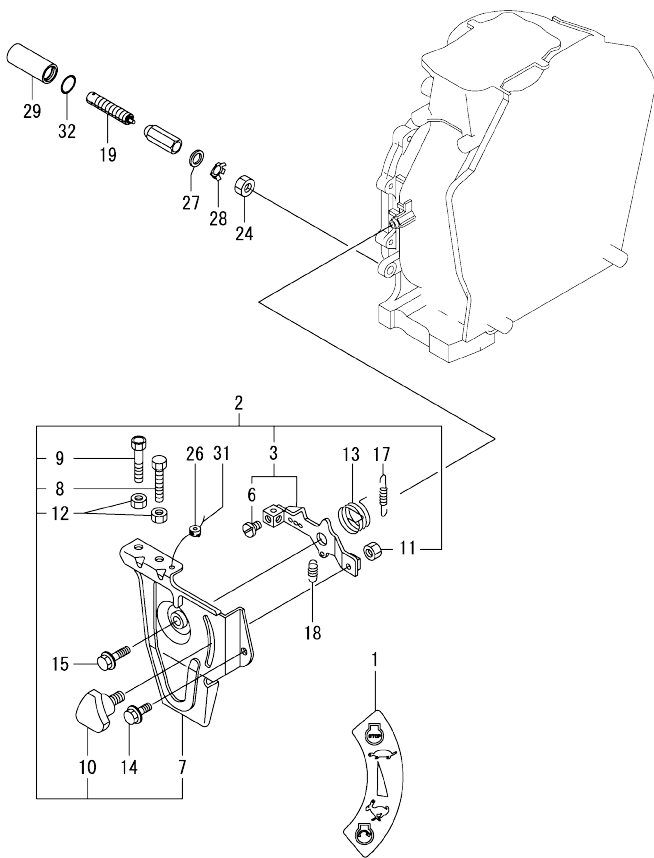
Fig.18. FUEL TANK & FUEL PIPE



No.	Lev.	Parts No.	Description	Q'ty						I	R
				(A)	(B)	(C)	(D)	(E)	(F)		
1	1	114239-55130	FILTER ASSY,FUEL OIL	1							
2	1	114210-55210	STAY, FUEL TANK A	1							
3	1	114210-55230	STAY, FUEL TANK B	1							
4	1	114240-55300	COCK ASSY, FUEL	1							
5	2	24311-000125	O-RING, 1AP12.5	1							
6	1	11422C-55710	TANK ASSY, FUEL	1							
8	2	114299-55080	PLUG, DRAIN	1							
9	2	23414-080000	GASKET, 8X1.0	1							
10	2	114299-55040	CAP ASSY, FUEL TANK	1							
11	2	114299-55110	STRAINER, FUEL TANK	1							
12	2	114740-55200	DAMPER, FUEL TANK	4							
13	1	114210-55810	BOLT, LIFTING	1							
14	1	22117-080000	WASHER, 8	1							
15	1	26106-080452	BOLT, M8X 45 PLATED	1							
16	1	26366-060002	NUT, M6	2							
17	1	26106-060162	BOLT, M6X 16 PLATED	2							
19	1	114780-59010	PIPE ASSY, FUEL L50	1							
20	2	114780-59060	PIPE, FUEL L=50	1							
21	2	23080-014000	CLAMP, 14	2							
22	1	114239-59301	PIPE ASSY, FO RETURN	1							
23	2	124722-59050	CLAMP, HOSE 9	1							
24	2	114650-59061	PIPE, FO RETURN	1							
25	2	124066-59100	CLAMP, HOSE 8	1							
26	2	114652-59310	TUBE, PROTECT	1							
27	2	121750-59890	BAND, NYLON	1							

N:Old $\frac{New}{Old}$ New, Q:Old $\frac{New}{Old}$ New, R:Old $\frac{New}{Old}$ New, S:Old $\frac{New}{Old}$ New, W:Add, Z:Discontinued, F:Interchangeable by set, K:Q'ty Change
 Copyright (C) 2019 YANMAR CO., LTD. All Rights Reserved.

Fig.19. CONTROL DEVICE



(A)=L70V5AJ8T2AAWK
(B)=
(C)=

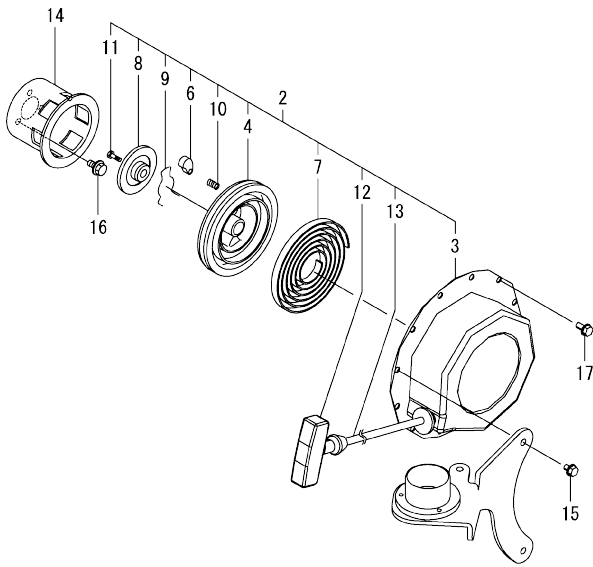
(D)=
(E)=
(F)=

No.	Lev.	Parts No.	Description	Q'ty						I	R
				(A)	(B)	(C)	(D)	(E)	(F)		
1	1	114220-07160	LABEL, THAI	1							
2	1	714210-66100	CONTROL ASSY, SPEED	1							
3	2	114210-66060	HANDLE ASSY	1							
6	3	26117-050089	BOLT, M5X 8 PLATED	1							
7	2	114210-66100	BRACKET, REGULATOR	1							
8	2	114299-66440	BOLT, ADJUSTER	1							
9	2	114299-67080	BOLT, ADJUST	1							
10	2	160725-78350	BOLT, KNOB M6X15	1							
11	2	26347-060002	NUT, M6	1							
12	2	26857-060002	NUT, M6	2							
13	1	114299-66250	SPRING, RETURN	1							
14	1	26106-060142	BOLT, M6X 14 PLATED	1							
15	1	26106-060202	BOLT, M6X 20 PLATED	1							
17	1	114210-66020	SPRING, REGULATOR	1							
18	1	114299-66201	SPRING, RETURN	1							
19	1	114211-66600	LIMITER ASSY, FUEL	1							
24	1	26776-100002	NUT, LOCK M10	1							
26	1	114780-61090	TIN	1							
27	1	114771-61800	WASHER, PLAIN 10	1							
28	1	114771-61820	PLATE	1							
29	1	114771-61900	PROTECTOR	1							
31	1	22451-060000	WIRE, 0.6	1							
32	1	24311-000125	O-RING, 1AP12.5	1							

Fig.20. RECOIL STARTER

(A)=L70V5AJ8T2AAWK
(B)=
(C)=

(D)=
(E)=
(F)=

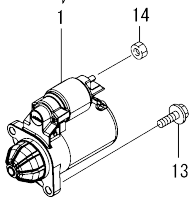
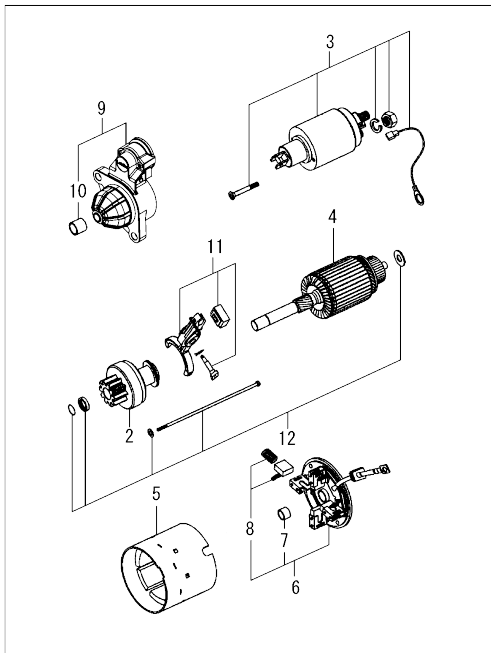


No.	Lev.	Parts No.	Description	Q'ty					
				(A)	(B)	(C)	(D)	(E)	(F)
2	2	114399-76251	STARTER ASSY, RECOIL	1					
3	3	114399-76510	CASE, STARTER	1					
4	3	114399-76521	REEL, RECOIL STARTER	1					
6	3	114399-76600	RATCHET	1					
7	3	114399-76540	SPRING, SPIRAL	1					
8	3	114399-76550	COVER, RATCHET	1					
9	3	114399-76560	SPRING	1					
10	3	114399-76570	SPRING, RETURN	1					
11	3	114399-76580	SCREW	1					
12	3	114399-76620	KNOB, STARTER	1					
13	3	114399-76630	ROPE, STARTER	1					
14	2	114399-76590	PULLEY, STARTER	1					
15	1	26106-060082	BOLT, M6X 8 PLATED	2					
16	1	26106-060122	BOLT, M6X 12 PLATED	3					
17	1	26106-060122	BOLT, M6X 12 PLATED	2					

Fig.21. STARTER MOTOR

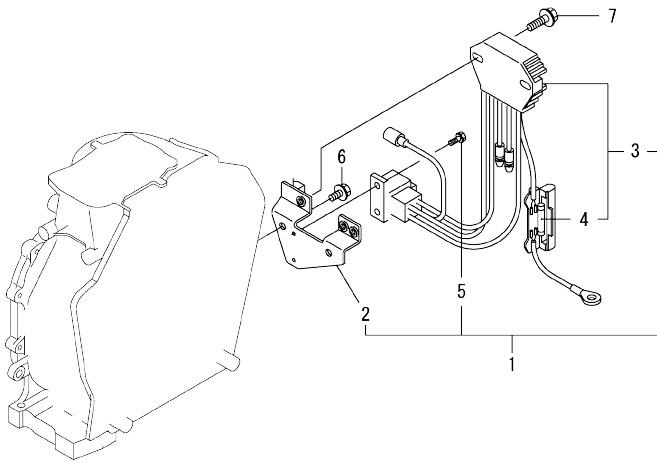
(A)=L70V5AJ8T2AAWK
(B)=
(C)=

(D)=
(E)=
(F)=



No.	Lev.	Parts No.	Description	Q'ty					
				(A)	(B)	(C)	(D)	(E)	(F)
1	1	114320-77010	MOTOR ASSY, STARTER	1					
2	2	114399-77040	CLUTCH ASSY, PINION	1					
3	2	114399-77060	SWITCH ASSY, MAGNET	1					
4	2	114320-77110	ARMATURE ASSY	1					
5	2	114320-77130	YOKE ASSY	1					
6	2	114399-77140	COVER ASSY, REAR	1					
7	3	114399-77050	BUSH, REAR	1					
8	3	114399-77160	HOLDER ASSY, BRUSH	4					
9	2	114399-77150	CASE ASSY, GEAR	1					
10	3	114399-77030	BUSH, TOP	1					
11	2	114399-77180	LEVER KIT, SHIFT	1					
12	2	114320-77770	BOLT ASSY, THROUGH	2					
13	1	26106-100302	BOLT, M10X 30 PLATED	2					
14	1	26716-080002	NUT, M8	1					

Fig.22. ELECTRIC PARTS

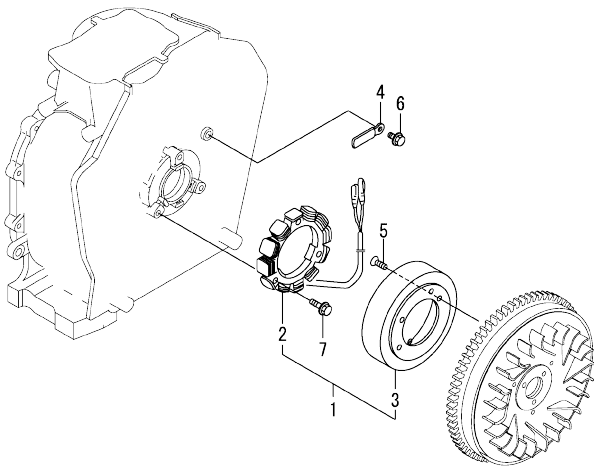


(A)=L70V5AJ8T2AAWK
(B)=
(C)=

(D)=
(E)=
(F)=

No.	Lev.	Parts No.	Description	Q'ty						I	R
				(A)	(B)	(C)	(D)	(E)	(F)		
1	1	114399-77560	REGULATOR ASSY	1							
2	2	114399-77410	BRACKET, HARNESS	1							
3	2	114399-77720	REGULATOR	1							
4	3	114399-78000	FUSE, 20A	1							
5	2	26023-040102	SCREW, M4X10	2							
6	1	26106-060122	BOLT, M6X 12 PLATED	2							
7	1	26106-060202	BOLT, M6X 20 PLATED	2							

OCC50-M01730 ENGINE
 Fig.23. DYNAMO



OCC50-M01730 Fig.23

(A)=L70V5AJ8T2AAWK
 (B)=
 (C)=

(D)=
 (E)=
 (F)=

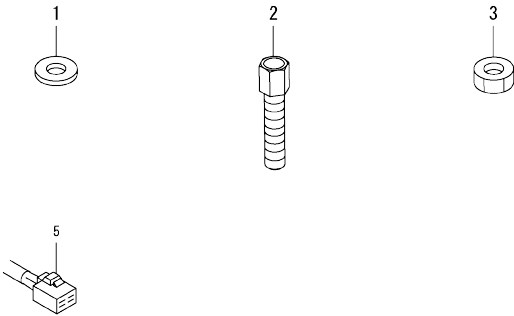
No.	Lev.	Parts No.	Description	Q'ty						I	R
				(A)	(B)	(C)	(D)	(E)	(F)		
1	1	114399-78280	DINAMO ASSY, 15A	1							
2	2	114399-78770	STATOR ASSY	1							
3	2	114399-78780	WHEEL, DYNAMO	1							
4	1	160710-78710	CLAMP, CORD	1							
5	1	114210-78800	SCREW, M6	3							
6	1	26106-060122	BOLT, M6X 12 PLATED	1							
7	1	26106-060202	BOLT, M6X 20 PLATED	3							

OCC50-M01730 ENGINE
 Fig.24. ACCESSORY

OCC50-M01730 Fig.24

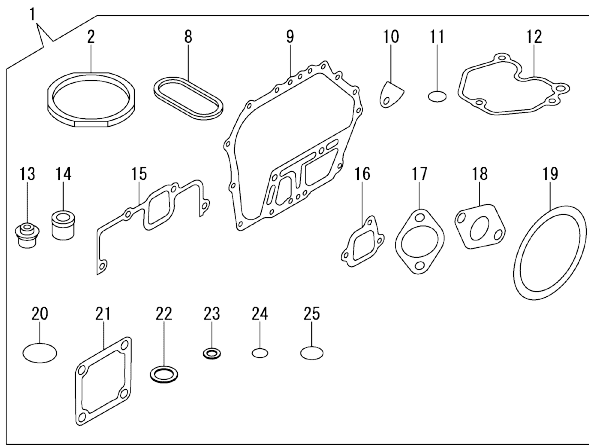
(A)=L70V5AJ8T2AAWK
 (B)=
 (C)=

(D)=
 (E)=
 (F)=



No.	Lev.	Parts No.	Description	Q'ty					
				(A)	(B)	(C)	(D)	(E)	(F)
1	1	183350-55130	WASHER	2					
2	1	114299-67080	BOLT, ADJUST	1					
3	1	26857-060002	NUT, M6	2					
5	1	114351-77520	COUPLER	1					

Fig.25. GASKET SET



No.	Lev.	Parts No.	Description	Q'ty						I	R
				(A)	(B)	(C)	(D)	(E)	(F)		
1	1	114220-92600	GASKET SET	1							1
2	2	114395-01331	GASKET, HEAD	1							
8	2	114399-01380	O-RING, TAPPET	1							
9	2	114399-01410	GASKET, CASE COVER	1							
10	2	114250-01841	GASKET, COVER	1							
11	2	114299-01950	O-RING, 18	1							
12	2	114210-11310	GASKET, BONNET	1							
13	2	114350-11341	SEAL, VALVE STEM	1							
14	2	114771-11461	GASKET, NOZZLE	1							
15	2	114210-12210	GASKET, AIR CLEANER	1							
16	2	114299-12210	GASKET, AIR CLEANER	1							
17	2	114299-12920	GASKET, AIR CLEANER	1							
18	2	114299-13200	GASKET, MUFFLER	2							
19	2	114399-21980	GASKET	1							
20	2	114299-32570	O-RING, PUMP COVER	2							
21	2	129100-77510	GASKET, AIR HEATER	1							
22	2	22190-160002	WASHER, SEAL 16	1							
23	2	23414-080000	GASKET, 8X1.0	2							
24	2	24341-000150	O-RING, 1AS15.0	1							
25	2	24341-000224	O-RING, 1AS22.4	1							

Remarks
(1)Optional parts.

Parts No. Index

Parts No.	Fig. No.	Ref. No.
105010-11490	4	27
114210-01020	1	1
114210-01200	4	1
114210-01210	4	2
114210-03590	4	39
114210-11120	4	10
114210-11180	4	11
114210-11310	4	36
	25	12
114210-11901	4	30
114210-11930	4	12
114210-11950	4	37
114210-12210	5	1
	25	15
114210-12560	5	10
114210-12590	5	11
114210-12600	5	14
114210-14200	8	1
114210-14300	8	2
114210-14400	8	7
114210-14580	8	8
114210-28050	12	6
114210-45150	16	1
114210-45260	15	8
114210-45270	15	9
114210-45310	15	5
114210-45320	15	4
114210-45350	15	12
114210-45360	15	13
114210-55210	18	2
114210-55230	18	3
114210-55810	18	13
114210-59800	17	70
114210-59850	17	76
114210-61290	13	32
114210-66020	19	17
114210-66060	19	3
114210-66100	19	7
114210-78800	23	5
114211-01450	1	35
114211-11020	4	3
114211-66600	19	19
11421C-11100	4	8
11421C-11110	4	9
11421C-11250	4	14
11421C-11260	4	15
11421C-11650	4	16
11421C-11660	4	20
11421C-21810	9	1
114220-07100	3	2

Parts No.	Fig. No.	Ref. No.
114220-07110	3	4
114220-07120	15	2
114220-07130	3	11
114220-07160	3	13
	19	1
114220-12010	5	6
114220-12510	5	3
114220-12910	5	5
114220-22140	11	13
114220-22150	11	21
114220-45210	15	1
114220-92600	25	1
11422C-23700	11	28
11422C-55710	18	6
114239-12520	5	4
114239-12900	6	1
114239-12950	6	4
114239-55130	18	1
114239-59301	18	22
114240-11450	4	26
114240-11550	4	28
114240-22040	11	11
114240-22050	11	19
114240-55300	18	4
114249-53000	17	29
114250-01841	1	27
	25	10
114250-11240	4	18
		22
114250-32010	13	1
114250-53080	17	32
114250-53120	17	38
114250-53130	17	39
114250-53140	17	40
114250-53210	17	41
114268-13700	7	4
114299-01600	1	12
114299-01690	2	1
114299-01800	1	13
114299-01830	1	26
114299-01950	2	4
	25	11
114299-02030	1	45
114299-03640	4	42
114299-07101	3	3
114299-07111	3	5
114299-07160	3	6
114299-11600	4	29
114299-12210	25	16
114299-12300	5	2

Parts No.	Fig. No.	Ref. No.
114299-12920	25	17
114299-13200	7	1
	25	18
114299-13800	7	11
114299-21220	10	1
114299-21550	10	2
114299-32070	13	7
114299-32570	13	8
	25	20
114299-35110	13	12
114299-35150	1	40
114299-45220	15	3
		7
114299-45301	16	3
114299-45310	16	4
114299-45331	16	5
114299-45350	16	6
114299-55040	18	10
114299-55080	18	8
114299-55110	18	11
114299-61190	13	17
114299-61600	13	29
114299-66201	19	18
114299-66250	19	13
114299-66440	19	8
114299-67080	19	9
	24	2
114320-77010	21	1
114320-77110	21	4
114320-77130	21	5
114320-77770	21	12
114339-53100	17	33
114350-02113	1	46
114350-11341	4	25
	25	13
114351-77520	24	5
114368-13501	7	2
114395-01331	1	5
	25	2
114399-01380	1	11
	25	8
114399-01410	1	34
	25	9
114399-21590	10	3
114399-21600	10	6
114399-21980	25	19
114399-22300	11	9
114399-45320	15	10
114399-45340	15	6
		11

Parts No.	Fig. No.	Ref. No.
114399-76251	20	2
114399-76510	20	3
114399-76521	20	4
114399-76540	20	7
114399-76550	20	8
114399-76560	20	9
114399-76570	20	10
114399-76580	20	11
114399-76590	20	14
114399-76600	20	6
114399-76620	20	12
114399-76630	20	13
114399-77030	21	10
114399-77040	21	2
114399-77050	21	7
114399-77060	21	3
114399-77140	21	6
114399-77150	21	9
114399-77160	21	8
114399-77180	21	11
114399-77410	22	2
114399-77560	22	1
114399-77720	22	3
114399-78000	22	4
114399-78280	23	1
114399-78770	23	2
114399-78780	23	3
114650-59061	18	24
114652-59310	18	26
114699-01760	2	2
114740-55200	18	12
114770-61520	13	28
114770-61610	13	30
114771-11461	25	14
114771-61800	19	27
114771-61820	19	28
114771-61900	19	29
114780-59010	18	19
114780-59060	18	20
114780-61090	19	26
114810-61500	13	18
114840-02110	1	38
114840-02200	1	42
114840-02210	1	43
114840-23600	11	33
114840-23610	11	35
114840-23620	11	37
114840-23910	11	39
118200-23200	11	32
119803-53400	17	42

Parts No. Index

Parts No.	Fig. No.	Ref. No.
121750-59890	18	27
124066-59100	18	25
124722-59050	18	23
129100-77510	25	21
160110-02220	1	47
		48
160310-14550	9	10
160710-78710	23	4
160725-78350	19	10
183350-55130	24	1
22117-080000	18	14
22190-160002	2	5
	25	22
22242-000120	4	24
22252-000210	11	10
22312-030160	4	45
	13	9
22312-040080	1	28
22322-030200	13	27
22351-025005	17	37
22351-040008	4	31
22451-060000	19	31
22512-040120	10	7
22512-070360	9	11
23080-014000	18	21
23414-080000	18	9
	25	23
23875-020000	1	29
23876-010000	14	1
24162-152116	1	49
24311-000125	18	5
	19	32
24341-000150	25	24
24341-000224	13	14
	25	25
26023-040102	22	5
26106-060082	7	5
	15	14
	20	15
26106-060122	13	10
	20	16
		17
	22	6
	23	6
26106-060142	7	6
	19	14
26106-060162	13	15
	18	17
26106-060202	5	16
	15	15

Parts No.	Fig. No.	Ref. No.
26106-060202	19	15
	22	7
	23	7
26106-060402	4	32
26106-060552	4	48
26106-080122	1	50
26106-080202	9	12
26106-080352	1	41
26106-080452	18	15
26106-100302	21	13
26117-050089	19	6
26216-080182	7	8
26226-060182	1	30
26226-060222	1	31
26226-060302	5	17
26226-060552	4	33
26306-080002	7	9
26347-060002	19	11
26366-060002	1	32
	4	34
	15	16
	18	16
26557-050162	6	5
26716-080002	21	14
26776-100002	19	24
26856-060002	4	19
		23
26857-060002	19	12
	24	3
714210-22721	11	1
714210-28510	12	1
714210-61701	13	31
714210-66100	19	2
714249-51410	17	1
714249-53100	17	28
714870-22502	11	3

Parts No.	Fig. No.	Ref. No.
-----------	----------	----------

Parts No.	Fig. No.	Ref. No.
-----------	----------	----------