

0CC50-M03730EN

P R E F A C E

This parts catalog is the 1st edition of L70V5EJ4C1CACF for CHANGSHA FLORES.

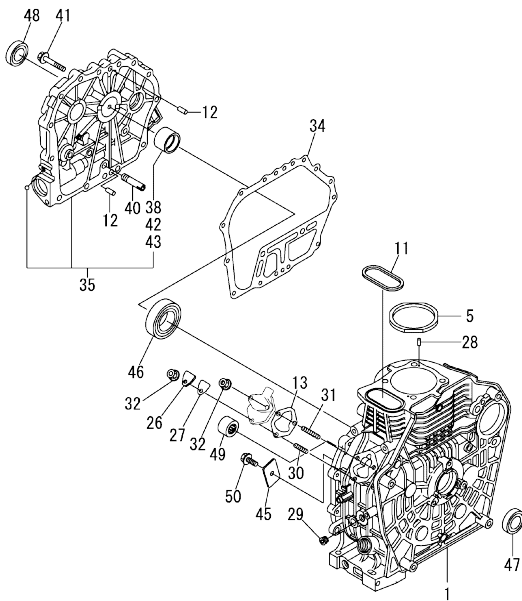
Published : April, 2021

Contents

0CC50-M03730

Fig. No.	Fig. Name	Fig. No.	Fig. Name
	ENGINE		25. GASKET SET & TOOL
1.	CYLINDER BLOCK		
2.	DRAIN PLUG		
3.	LABEL		
4.	CYLINDER HEAD & BONNET		
5.	AIR CLEANER		
6.	EXHAUST MUFFLER		
7.	CAMSHAFT		
8.	CRANKSHAFT		
9.	FLYWHEEL		
10.	PISTON & CONNECTING ROD		
11.	BALANCER SHAFT		
12.	LUB. OIL PUMP & GOVERNOR		
13.	SWITCH (OIL PRESSURE)		
14.	COVER		
15.	COOLING FAN CASE		
16.	FUEL INJECTION PUMP & FUEL INJECTION VALVE		
17.	FUEL TANK & FUEL PIPE		
18.	CONTROL DEVICE		
19.	RECOIL STARTER		
20.	STARTER MOTOR		
21.	ELECTRIC PARTS		
22.	AIR HEATER		
23.	DYNAMO		
24.	ACCESSORY		

Fig.1. CYLINDER BLOCK



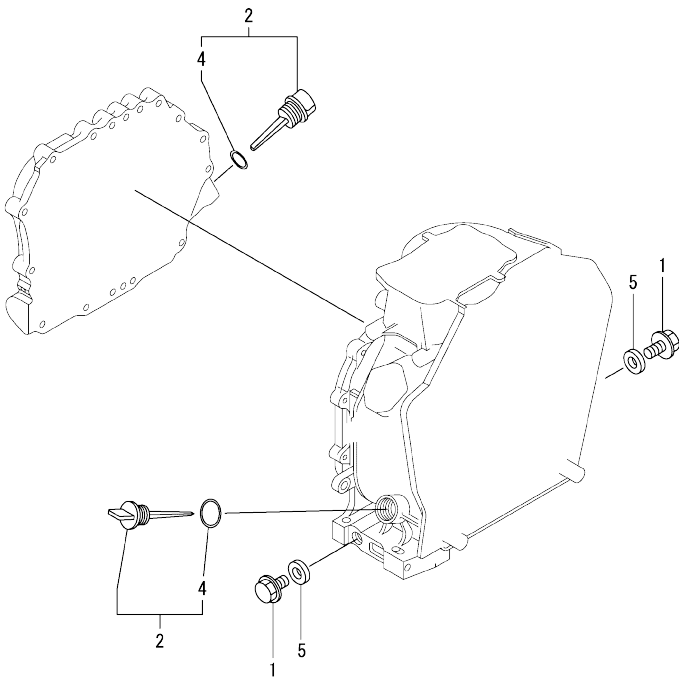
(A)=L70V5EJ4C1CACF
(B)=
(C)=

(D)=
(E)=
(F)=

No.	Lev.	Parts No.	Description	Q'ty						I	R
				(A)	(B)	(C)	(D)	(E)	(F)		
1	1	1142A0-01010	BLOCK ASSY, CYLINDER	1							
5	1	114395-01331	GASKET, HEAD	1							
11	1	114399-01380	O-RING, TAPPET	1							
12	1	114299-01600	PIN, PARALLEL 8X12	2							
13	1	114299-01800	SHIM SET, PUMP	1							
26	1	114299-01830	COVER, PUMP	1							
27	1	114250-01841	GASKET, COVER	1							
28	1	22312-040080	PIN, PARALLEL M4X 8	2							
29	1	23875-020000	PLUG, R02	1							
30	1	26226-060182	STUD, M6X 18	1							
31	1	26226-060222	STUD, M6X 22	2							
32	1	26366-060002	NUT, M6	3							
34	1	114399-01410	GASKET, CASE COVER	1							
35	1	114211-01450	COVER, CRANK CASE	1							
38	2	114840-02110	BEARING, MAIN	1							1
40	1	114299-35150	PIPE, OIL INLET	1							
41	1	26106-080352	BOLT, M8X 35 PLATED	15							
42	1	114840-02200	BEARING, MAIN 0.25OS	1							2
43	1	114840-02210	BEARING, MAIN 0.50OS	1							3
45	1	114299-02030	RETAINER, BEARING	1							
46	1	114350-02113	BEARING, B35-135G3C3	1							
47	1	160110-02220	SEAL, OIL 30X45X8	1							
48	1	160110-02220	SEAL, OIL 30X45X8	1							
49	1	24162-152116	BEARING, 152116	1							
50	1	26106-080122	BOLT, M8X 12 PLATED	1							

Remarks
(1) Spare parts.
(2) Over-sized (O.S.=0.25) parts.
(3) Over-sized (O.S.=0.50) parts.

OCC50-M03730 ENGINE
 Fig.2. DRAIN PLUG



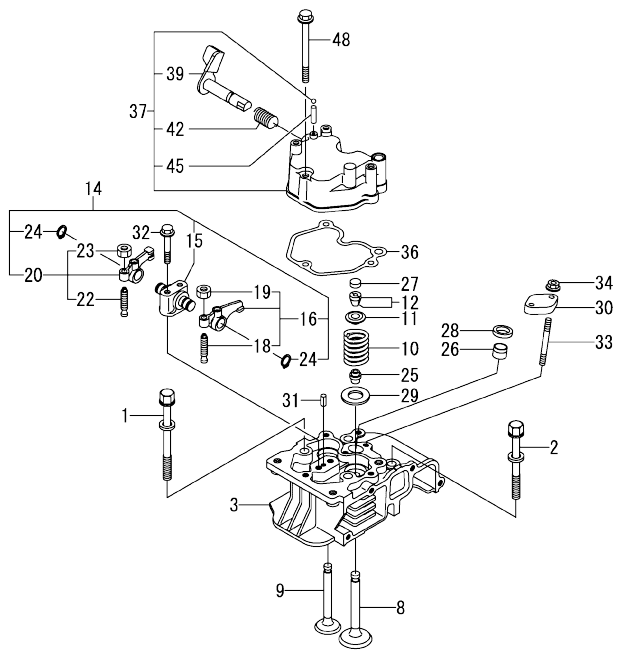
OCC50-M03730 Fig.2

(A)=L70V5EJ4C1CACF
 (B)=
 (C)=

(D)=
 (E)=
 (F)=

No.	Lev.	Parts No.	Description	Q'ty					
				(A)	(B)	(C)	(D)	(E)	(F)
1	1	114299-01690	PLUG, DRAIN 16	2					
2	1	114699-01760	CAP ASSY, OIL SUPPLY	2					
4	2	114299-01950	O-RING, 18	2					
5	1	22190-160002	WASHER, SEAL 16	2					

Fig.4. CYLINDER HEAD & BONNET



(A)=L70V5EJ4C1CACF
(B)=
(C)=

(D)=
(E)=
(F)=

No.	Lev.	Parts No.	Description	Q'ty						I	R
				(A)	(B)	(C)	(D)	(E)	(F)		
1	1	114210-01200	BOLT, HEAD A	2							
2	1	114210-01210	BOLT, HEAD B	2							
3	1	114211-11020	HEAD, CYLINDER	1							
8	1	11421C-11100	VALVE, INTAKE	1							
9	1	11421C-11110	VALVE, EXHAUST	1							
10	1	114210-11120	SPRING, VALVE	2							
11	1	114210-11180	RETAINER, SPRING	2							
12	1	114210-11930	COTTER ASSY	2							
14	1	11421C-11250	SUPPORT ASSY, ARM	1							
15	2	11421C-11260	SUPPORT, ROCKER ARM	1							
16	2	11421C-11650	ARM ASSY, ROCKER	1							
18	3	114250-11240	SCREW, VALVE ADJUST	1							
19	3	26856-060002	NUT, M6	1							
20	2	11421C-11660	ARM ASSY, ROCKER EXH	1							
22	3	114250-11240	SCREW, VALVE ADJUST	1							
23	3	26856-060002	NUT, M6	1							
24	2	22242-000120	RING, 12	2							
25	1	114350-11341	SEAL, VALVE STEM	2							
26	1	114240-11450	PROTECTOR, NOZZLE	1							
27	1	105010-11490	CAP, VALVE	2							
28	1	114240-11550	SEAT, NOZZLE	1							
29	1	114299-11600	WASHER, VALVE SPRING	2							
30	1	114210-11901	RETAINER, VALVE	1							
31	1	22351-040008	PIN, SPRING 4.0X 8	1							
32	1	26106-060402	BOLT, M6X 40 PLATED	2							
33	1	26226-060552	STUD, M6X 55	2							
34	1	26366-060002	NUT, M6	2							
36	1	114210-11310	GASKET, BONNET	1							
37	1	114210-11950	BONNET ASSY, HEAD	1							
39	2	114210-03590	DECOMPRESSION ASSY	1							
42	2	114299-03640	SPRING, DECOMPRESSION	1							
45	2	22312-030160	PIN, PARALLEL M3X16	1							
48	1	26106-060552	BOLT, M6X 55 PLATED	3							

Fig.5. AIR CLEANER

(A)=L70V5EJ4C1CACF
 (B)=
 (C)=

(D)=
 (E)=
 (F)=

No.	Lev.	Parts No.	Description	Q'ty						I	R
				(A)	(B)	(C)	(D)	(E)	(F)		
1	1	114210-12050	MANIFOLD, INTAKE	1							
2	1	114210-12210	GASKET, AIR CLEANER	1							
3	1	26226-060162	STUD, M6X 16	2							
5	1	114299-12210	GASKET, AIR CLEANER	1							
6	1	114299-12300	NUT	3							
7	1	783366-12560	CLEANER ASSY, AIR	1							
9	3	114250-12520	COVER, AIR CLEANER	1							
10	3	183366-12530	CASE ASSY	1							
11	3	114250-12560	WASHER, SEAL M6	1							
12	3	114250-12581	ELEMENT, AIR CLEANER	1							
13	3	114770-07450	LABEL, AIR CLEANER	1							
14	2	114250-12550	NUT, WING M6	1							
16	1	26106-060202	BOLT, M6X 20 PLATED	1							
17	1	26106-060302	BOLT, M6X 30 PLATED	2							
18	1	26226-060502	STUD, M6X 50	1							

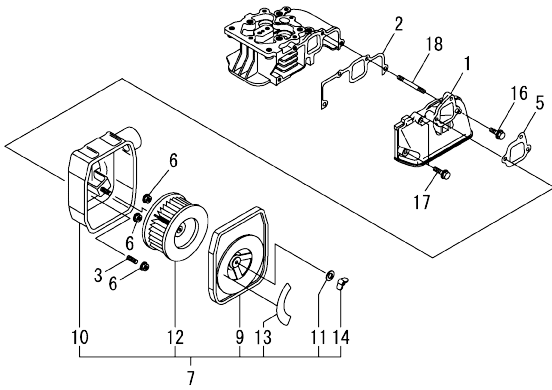
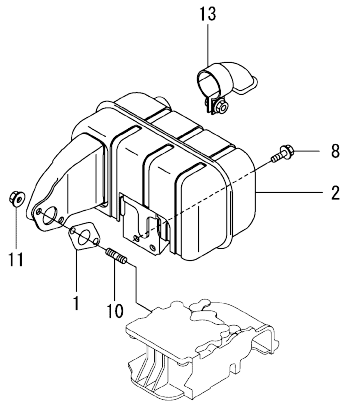


Fig.6. EXHAUST MUFFLER



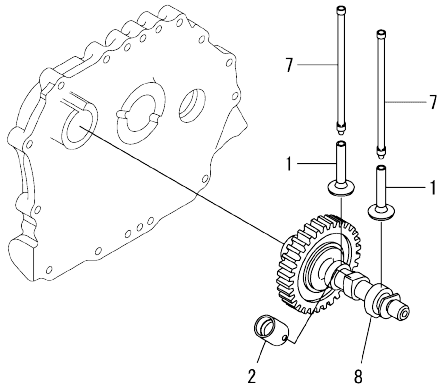
(A)=L70V5EJ4C1CACF
(B)=
(C)=

(D)=
(E)=
(F)=

No.	Lev.	Parts No.	Description	Q'ty						I	R
				(A)	(B)	(C)	(D)	(E)	(F)		
1	1	114299-13200	GASKET, MUFFLER	1							
2	1	11421C-13510	MUFFLER ASSY	1							
8	1	26106-080162	BOLT, M8X 16 PLATED	2							
10	1	26216-080182	STUD, M8X 18	2							
11	1	26306-080002	NUT, M8	2							
13	1	114299-13800	EXTENSION ASSY	1							

OCC50-M03730 ENGINE
 Fig.7. CAMSHAFT

OCC50-M03730 Fig.7



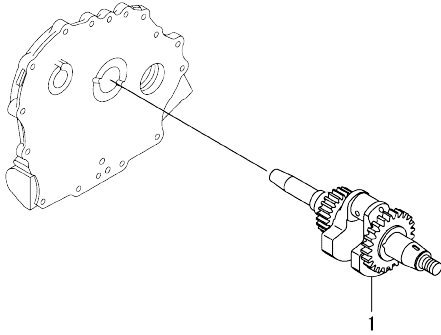
(A)=L70V5EJ4C1CACF
 (B)=
 (C)=

(D)=
 (E)=
 (F)=

No.	Lev.	Parts No.	Description	Q'ty					
				(A)	(B)	(C)	(D)	(E)	(F)
1	1	114210-14200	TAPPET	2					
2	1	114210-14300	TAPPET ASSY, ROLLER	1					
7	1	114220-14400	ROD ASSY, PUSH	2					
8	1	114210-14580	CAMSHAFT ASSY	1					

OCC50-M03730 ENGINE

Fig.8. CRANKSHAFT



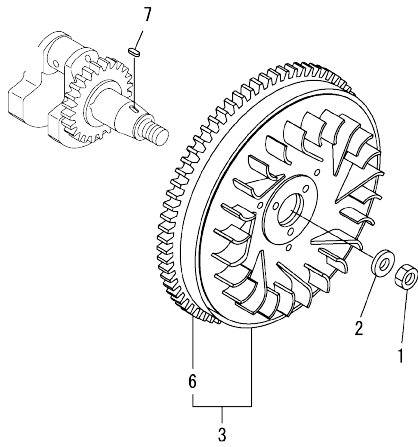
OCC50-M03730 Fig.8

(A)=L70V5EJ4C1CACF
(B)=
(C)=

(D)=
(E)=
(F)=

No.	Lev.	Parts No.	Description	Q'ty						I	R
				(A)	(B)	(C)	(D)	(E)	(F)		
1	1	11421C-21840	CRANKSHAFT ASSY,E-DG	1							

OCC50-M03730 ENGINE
 Fig.9. FLYWHEEL



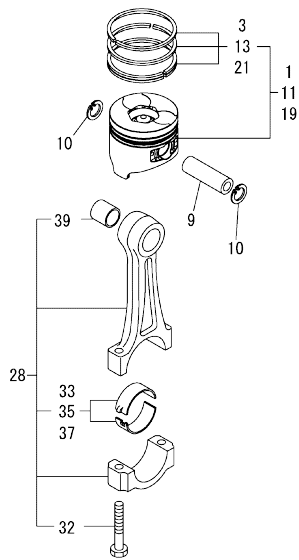
OCC50-M03730 Fig.9

(A)=L70V5EJ4C1CACF
 (B)=
 (C)=

(D)=
 (E)=
 (F)=

No.	Lev.	Parts No.	Description	Q'ty					
				(A)	(B)	(C)	(D)	(E)	(F)
1	1	114299-21220	NUT, WHEEL	1					
2	1	114299-21550	WASHER, FLYWHEEL	1					
3	1	114399-21590	FLYWHEEL ASSY, DE	1					
6	2	114399-21600	GEAR, RING	1					
7	1	22512-040120	KEY, 4X 12	1					

Fig.10. PISTON & CONNECTING ROD



(A)=L70V5EJ4C1CACF
(B)=
(C)=

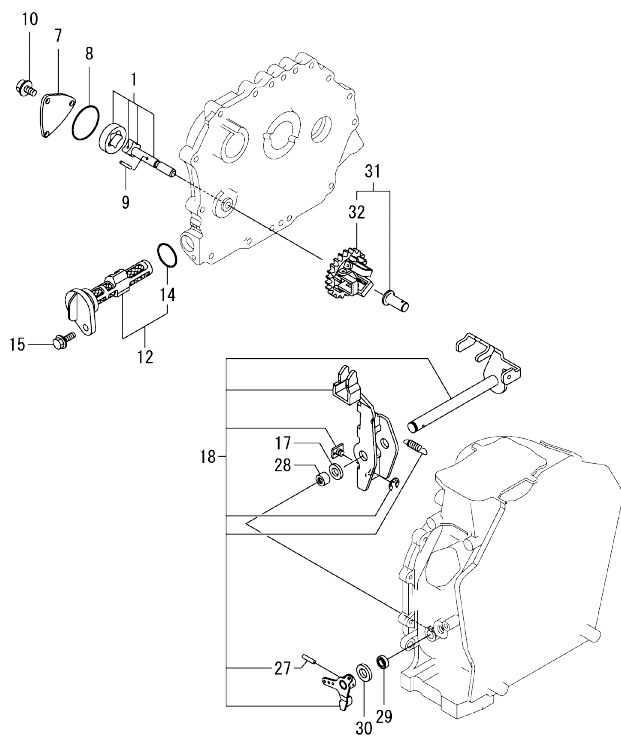
(D)=
(E)=
(F)=

No.	Lev.	Parts No.	Description	Q'ty						I	R
				(A)	(B)	(C)	(D)	(E)	(F)		
1	1	714210-22721	PISTON ASSY, D	1							
3	2	714870-22502	RING SET, PISTON	1							
9	1	114399-22300	PIN, PISTON D=21	1							
10	1	22252-000210	RING, 21	2							
11	1	114240-22040	PISTON ASSY, 0.25 OS	1							1
13	2	114220-22140	RING SET, PISTON .25	1							1
19	1	114240-22050	PISTON ASSY, 0.50 OS	1							2
21	2	114220-22150	RING SET, PISTON .50	1							2
28	1	11422C-23700	ROD ASSY, CONNECTING	1							
32	3	118200-23200	BOLT, CONNECTING ROD	2							
33	2	114840-23600	METAL, CRANK PIN	1							
35	1	114840-23610	METAL, CRANK PIN 0.25	1							1
37	1	114840-23620	METAL, CRANK PIN 0.50	1							2
39	1	114840-23910	BUSH, PISTON PINN	1							3

Remarks

- (1)Over-sized(O.S.=0.25) parts.
- (2)Over-sized(O.S.=0.50) parts.
- (3)Spare parts.

Fig.12. LUB. OIL PUMP & GOVERNOR



(A)=L70V5EJ4C1CACF
(B)=
(C)=

(D)=
(E)=
(F)=

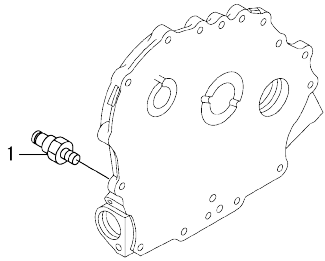
No.	Lev.	Parts No.	Description	Q'ty						I	R
				(A)	(B)	(C)	(D)	(E)	(F)		
1	1	114250-32010	PUMP ASSY, OIL	1							
7	1	114299-32070	COVER, OIL PUMP	1							
8	1	114299-32570	O-RING, PUMP COVER	1							
9	1	22312-030160	PIN, PARALLEL M3X16	1							
10	1	26106-060122	BOLT, M6X 12 PLATED	3							
12	1	114299-35110	FILTER ASSY, OIL	1							
14	2	24341-000224	O-RING, 1AS22.4	1							
15	1	26106-060162	BOLT, M6X 16 PLATED	1							
17	1	114299-61190	WASHER, GOVERNOR	1							
18	1	114810-61500	LEVER ASSY, GOVERNOR	1							1
27	2	22322-030200	PIN, TAPER 3X20	1							
28	1	114770-61520	BEARING, NEEDLE	2							
29	1	114299-61600	SEAL, OIL	1							
30	1	114770-61610	WASHER, THRUST	1							
31	1	714210-61701	GOVERNOR ASSY	1							
32	2	114210-61290	WEIGHT ASSY,GOVERNOR	1							

Remarks

(1)On a guarantee of quality, component parts shall not be sold.

OCC50-M03730 ENGINE

Fig.13. SWITCH (OIL PRESSURE)



OCC50-M03730 Fig.13

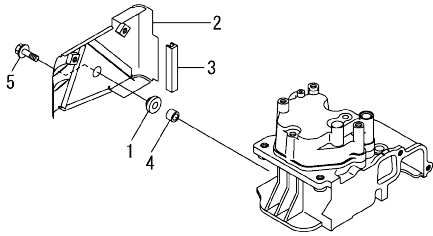
(A)=L70V5EJ4C1CACF
(B)=
(C)=

(D)=
(E)=
(F)=

No.	Lev.	Parts No.	Description	Q'ty						I	R
				(A)	(B)	(C)	(D)	(E)	(F)		
1	1	183250-39450	SWITCH, PRESSURE	1							

OCC50-M03730 ENGINE
 Fig.14. COVER

OCC50-M03730 Fig.14

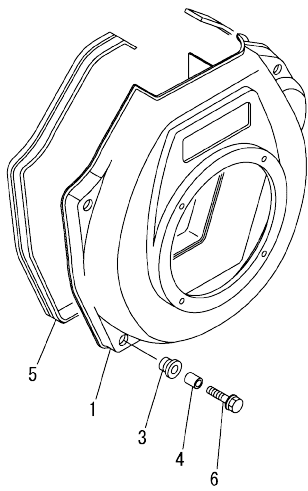


(A)=L70V5EJ4C1CACF
 (B)=
 (C)=

(D)=
 (E)=
 (F)=

No.	Lev.	Parts No.	Description	Q'ty					
				(A)	(B)	(C)	(D)	(E)	(F)
1	1	114299-45220	GROMMET, TANK	1					
2	1	114210-45260	COVER, SIDE B	1					
3	1	114399-45320	RUBBER, SEAL	1					
4	1	114399-45340	COLLAR	1					
5	1	26106-060202	BOLT, M6X 20 PLATED	1					

Fig.15. COOLING FAN CASE

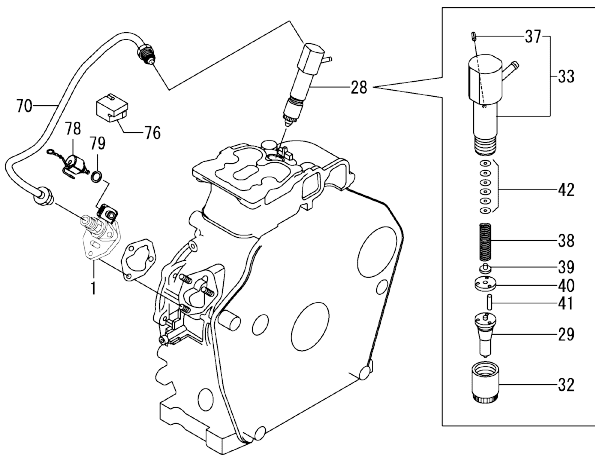


(A)=L70V5EJ4C1CACF
(B)=
(C)=

(D)=
(E)=
(F)=

No.	Lev.	Parts No.	Description	Q'ty						I	R
				(A)	(B)	(C)	(D)	(E)	(F)		
1	1	114210-45150	CASE, COOLING FAN	1							
3	1	114299-45301	RUBBER, FAN CASE	4							
4	1	114299-45310	COLLAR, FAN CASE	4							
5	1	114299-45331	SEAL, FAN CASE	1							
6	1	114299-45350	BOLT, FAN CASE	4							

Fig.16. FUEL INJECTION PUMP & FUEL INJECTION VALVE



(A)=L70V5EJ4C1CACF
(B)=
(C)=

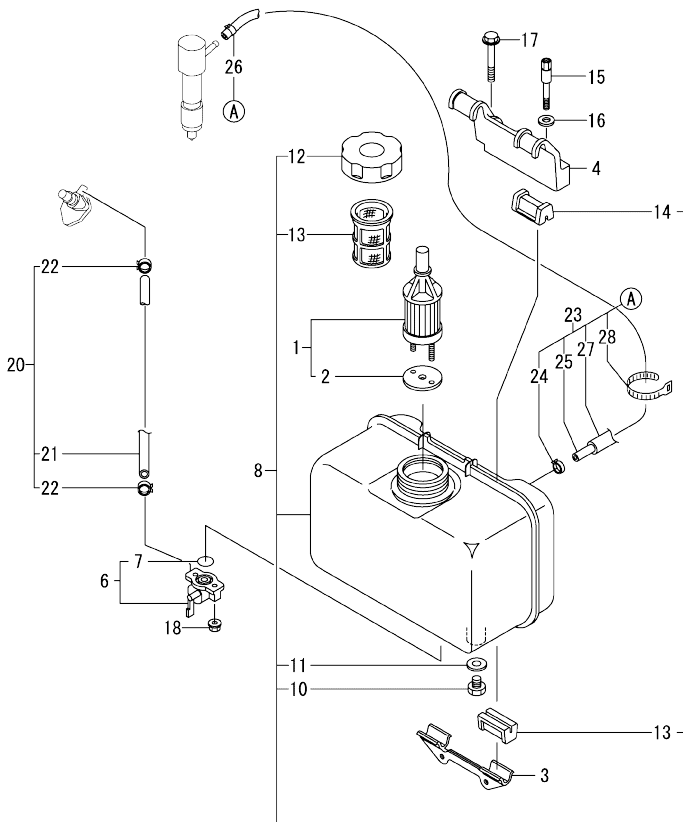
(D)=
(E)=
(F)=

No.	Lev.	Parts No.	Description	Q'ty						I	R
				(A)	(B)	(C)	(D)	(E)	(F)		
1	1	714249-51610	FOP ASSY, 7VWD	1							1
28	1	714249-53100	VALVE ASSY,INJECTION	1							
29	2	114249-53000	VALVE ASSY,INJECTION	1							
32	2	114250-53080	NUT, NOZZLE	1							
33	2	114339-53100	HOLDER ASSY, NOZZLE	1							
37	3	22351-025005	PIN, SPRING 2.5X 6	1							
38	2	114250-53120	SPRING, NOZZLE	1							
39	2	114250-53130	SEAT, SPRING	1							
40	2	114250-53140	SPACER, VALVE STOP	1							
41	2	114250-53210	PIN, POSITIONING	2							
42	2	119803-53400	SHIM SET	1							
70	1	114210-59800	PIPE ASSY, INJECTION	1							
76	1	114210-59850	SUPPORT, PIPE	1							
78	1	114110-76910	VALVE ASSY, FUEL CUT	1							
79	1	114299-83020	GASKET, 10X1.2	1							

Remarks

(1)On a guarantee of quality, component parts shall not be sold.

Fig.17. FUEL TANK & FUEL PIPE



(A)=L70V5EJ4C1CACF
(B)=
(C)=

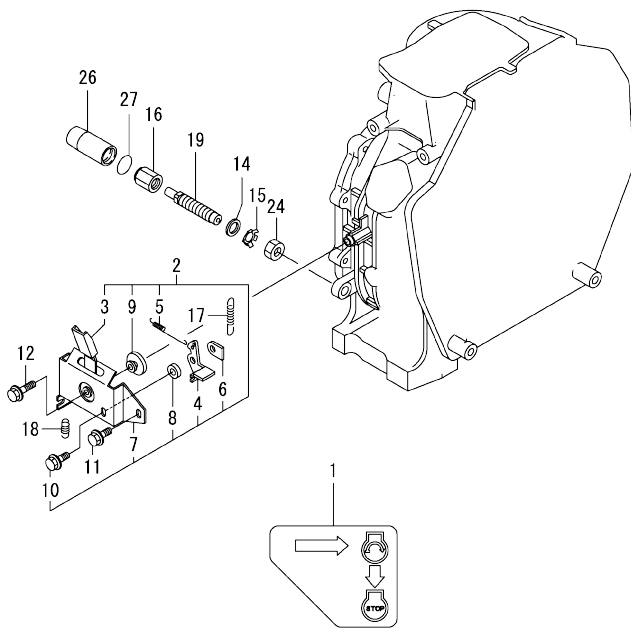
(D)=
(E)=
(F)=

No.	Lev.	Parts No.	Description	Q'ty						I	R
				(A)	(B)	(C)	(D)	(E)	(F)		
1	1	114250-55122	FILTER ASSY,FUEL OIL	1							
2	2	114250-55130	GASKET	1							
3	1	114210-55220	STAY, FUEL TANK A	1							
4	1	114210-55230	STAY, FUEL TANK B	1							
6	1	114240-55300	COCK ASSY, FUEL	1							
7	2	24311-000125	O-RING, 1AP12.5	1							
8	1	11422C-55710	TANK ASSY, FUEL	1							
10	2	114299-55080	PLUG, DRAIN	1							
11	2	23414-080000	GASKET, 8X1.0	1							
12	2	114299-55040	CAP ASSY, FUEL TANK	1							
13	2	114299-55110	STRAINER, FUEL TANK	1							
14	2	114740-55200	DAMPER, FUEL TANK	4							
15	1	114210-55810	BOLT, LIFTING	1							
16	1	22117-080000	WASHER, 8	1							
17	1	26106-080452	BOLT, M8X 45 PLATED	1							
18	1	26366-060002	NUT, M6	2							
20	1	114780-59010	PIPE ASSY, FUEL L50	1							
21	2	114780-59060	PIPE, FUEL L=50	1							
22	2	23080-014000	CLAMP, 14	2							
23	1	114239-59301	PIPE ASSY, FO RETURN	1							
24	2	124722-59050	CLAMP, HOSE 9	1							
25	2	114650-59061	PIPE, FO RETURN	1							
26	2	124066-59100	CLAMP, HOSE 8	1							
27	2	114652-59310	TUBE, PROTECT	1							
28	2	121750-59890	BAND, NYLON	1							

Fig.18. CONTROL DEVICE

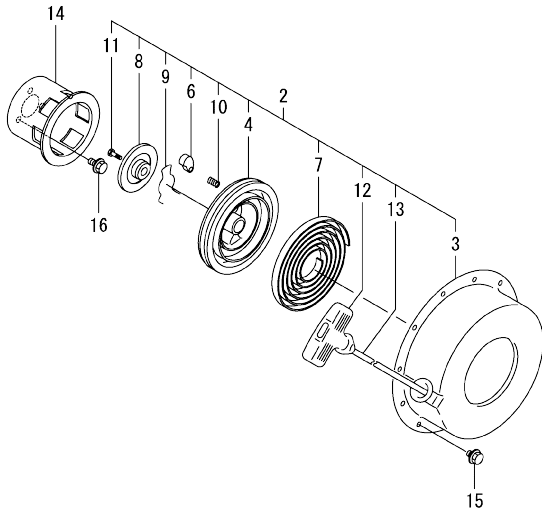
(A)=L70V5EJ4C1CACF
(B)=
(C)=

(D)=
(E)=
(F)=



No.	Lev.	Parts No.	Description	Q'ty						I	R
				(A)	(B)	(C)	(D)	(E)	(F)		
1	1	114220-07151	LABEL, CONSTANT SPEE	1							
2	1	114210-66511	BRACKET ASSY, HANDLE	1							
3	2	114210-66300	HANDLE, REGULATOR	1							
4	2	183250-66321	LEVER, LOCK	1							
5	2	114210-66330	SPRING, LOCK LEVER	1							
6	2	183250-66341	NUT, DETENT M6	1							
7	2	114210-66350	BRACKET, HANDLE	1							
8	2	183250-66361	COLLAR, LOCK LEVER	1							
9	2	183250-66371	COLLAR, LEVER	1							
10	2	26106-060162	BOLT, M6X 16 PLATED	1							
11	1	26106-060142	BOLT, M6X 14 PLATED	1							
12	1	26106-060202	BOLT, M6X 20 PLATED	1							
14	1	114295-61810	WASHER, PLAIN 14	1							
15	1	114771-61830	PLATE	1							
16	1	114295-61940	NUT, PROTECTOR M14	1							
17	1	114220-66020	SPRING, REGULATOR	1							
18	1	114299-66201	SPRING, RETURN	1							
19	1	114212-66600	LIMITER ASSY, FO	1							
24	1	114295-66690	NUT, LOCK M14	1							
26	1	114310-61910	PROTECTOR	1							
27	1	24311-000180	O-RING, 1AP18.0	1							

Fig.19. RECOIL STARTER



(A)=L70V5EJ4C1CACF
(B)=
(C)=

(D)=
(E)=
(F)=

No.	Lev.	Parts No.	Description	Q'ty						I	R
				(A)	(B)	(C)	(D)	(E)	(F)		
2	2	114399-76251	STARTER ASSY, RECOIL	1							
3	3	114399-76510	CASE, STARTER	1							
4	3	114399-76521	REEL, RECOIL STARTER	1							
6	3	114399-76600	RATCHET	1							
7	3	114399-76540	SPRING, SPIRAL	1							
8	3	114399-76550	COVER, RATCHET	1							
9	3	114399-76560	SPRING	1							
10	3	114399-76570	SPRING, RETURN	1							
11	3	114399-76580	SCREW	1							
12	3	114399-76620	KNOB, STARTER	1							
13	3	114399-76630	ROPE, STARTER	1							
14	2	114399-76590	PULLEY, STARTER	1							
15	1	26106-060082	BOLT, M6X 8 PLATED	4							
16	1	26106-060122	BOLT, M6X 12 PLATED	3							

Fig.20. STARTER MOTOR

(A)=L70V5EJ4C1CACF
(B)=
(C)=

(D)=
(E)=
(F)=

No.	Lev.	Parts No.	Description	Q'ty						I	R
				(A)	(B)	(C)	(D)	(E)	(F)		
1	1	114362-77011	STARTER ASSY, D	1							
2	2	114381-77110	ARMATURE	1							
3	2	X2114811000	WASHER KIT, THRUST	1							
4	2	X2114715500	STOPPER SET, PINION	1							
5	2	114381-77130	COIL ASSY, FIELD	1							
6	2	114381-77140	COVER	1							
7	2	114371-77160	HOLDER ASSY, BRUSH	1							
8	3	114371-79040	BRUSH, -	2							
9	3	114371-79050	BRUSH SET, +	1							
10	3	114371-79060	SPRING, BRUSH	4							
11	2	X211485016	PINION ASSY	1							
12	2	114381-77151	CASE ASSY, GEAR	1							
13	2	114371-77170	COVER KIT, DUST	1							
14	2	114371-77180	LEVER KIT, SHIFT	1							
15	2	124298-77020	SWITCH, MAGNET	1							
16	2	124195-77770	BOLT, THROUGH	2							
17	2	114371-79070	BOLT, M6	2							
18	2	X2114274200	COVER, TERMINAL	1							
19	1	26106-100302	BOLT, M10X 30 PLATED	2							
20	1	26716-080002	NUT, M8	1							

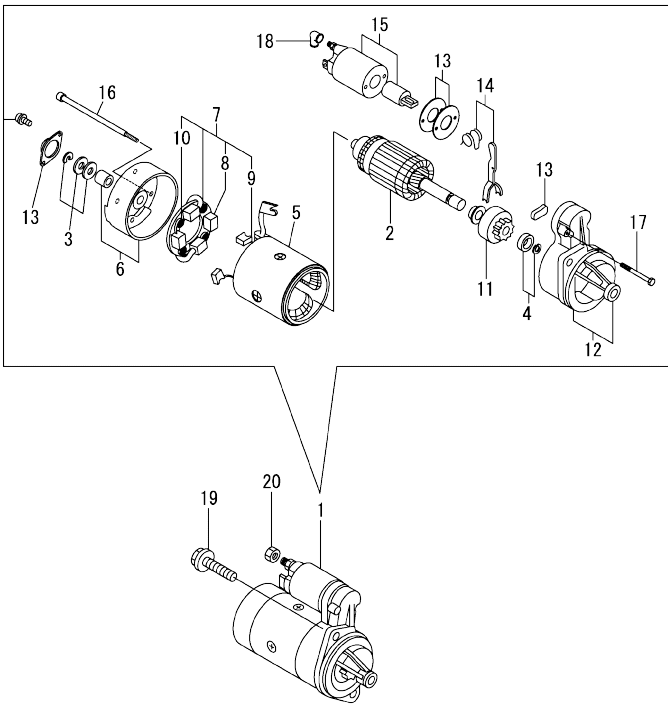
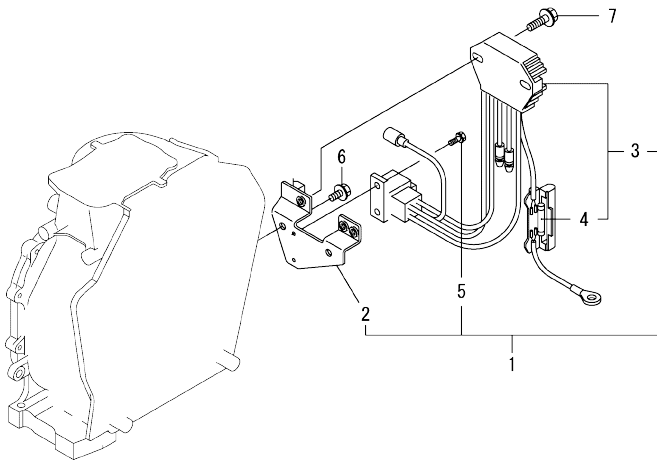


Fig.21. ELECTRIC PARTS



(A)=L70V5EJ4C1CACF
(B)=
(C)=

(D)=
(E)=
(F)=

No.	Lev.	Parts No.	Description	Q'ty					
				(A)	(B)	(C)	(D)	(E)	(F)
1	1	114399-77560	REGULATOR ASSY	1					
2	2	114399-77410	BRACKET, HARNESS	1					
3	2	114399-77720	REGULATOR	1					
4	3	114399-78000	FUSE, 20A	1					
5	2	26023-040102	SCREW, M4X10	2					
6	1	26106-060122	BOLT, M6X 12 PLATED	2					
7	1	26106-060202	BOLT, M6X 20 PLATED	2					

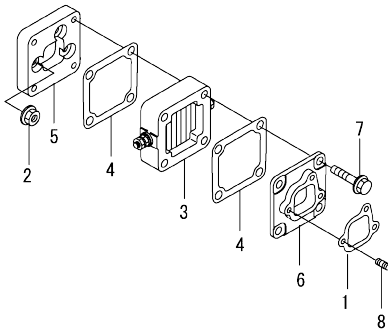
OCC50-M03730 ENGINE
 Fig.22. AIR HEATER

OCC50-M03730 Fig.22

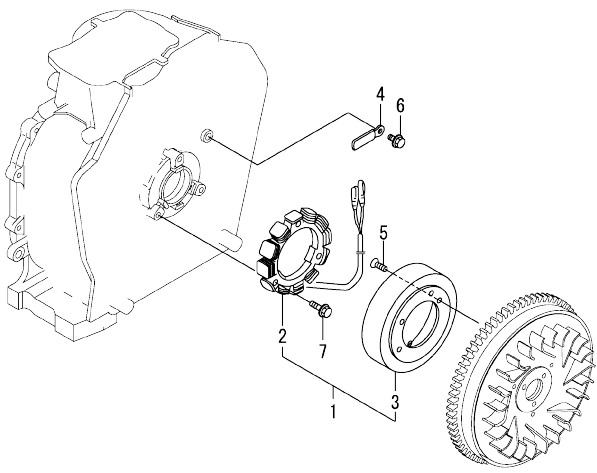
(A)=L70V5EJ4C1CACF
 (B)=
 (C)=

(D)=
 (E)=
 (F)=

No.	Lev.	Parts No.	Description	Q'ty					
				(A)	(B)	(C)	(D)	(E)	(F)
1	1	114299-12210	GASKET, AIR CLEANER	1					
2	1	114299-12300	NUT	3					
3	1	129100-77501	HEATER, AIR 11V	1					
4	1	129100-77510	GASKET, AIR HEATER	2					
5	1	183375-77560	JOINT, AIR HEATER A	1					
6	1	183375-77570	JOINT, AIR HEATER B	1					
7	1	26106-080402	BOLT, M8X 40 PLATED	4					
8	1	26226-060142	STUD, M6X 14	3					



OCC50-M03730 ENGINE
 Fig.23. DYNAMO



OCC50-M03730 Fig.23

(A)=L70V5EJ4C1CACF
 (B)=
 (C)=

(D)=
 (E)=
 (F)=

No.	Lev.	Parts No.	Description	Q'ty						I	R
				(A)	(B)	(C)	(D)	(E)	(F)		
1	1	114399-78280	DINAMO ASSY. 15A	1							
2	2	114399-78770	STATOR ASSY	1							
3	2	114399-78780	WHEEL, DYNAMO	1							
4	1	160710-78710	CLAMP, CORD	1							
5	1	114210-78800	SCREW, M6	3							
6	1	26106-060122	BOLT, M6X 12 PLATED	1							
7	1	26106-060202	BOLT, M6X 20 PLATED	3							

OCC50-M03730 ENGINE
 Fig.24. ACCESSORY

OCC50-M03730 Fig.24

(A)=L70V5EJ4C1CACF
 (B)=
 (C)=

(D)=
 (E)=
 (F)=

No.	Lev.	Parts No.	Description	Qty						I	R
				(A)	(B)	(C)	(D)	(E)	(F)		
1	1	114351-77520	COUPLER	1							

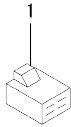
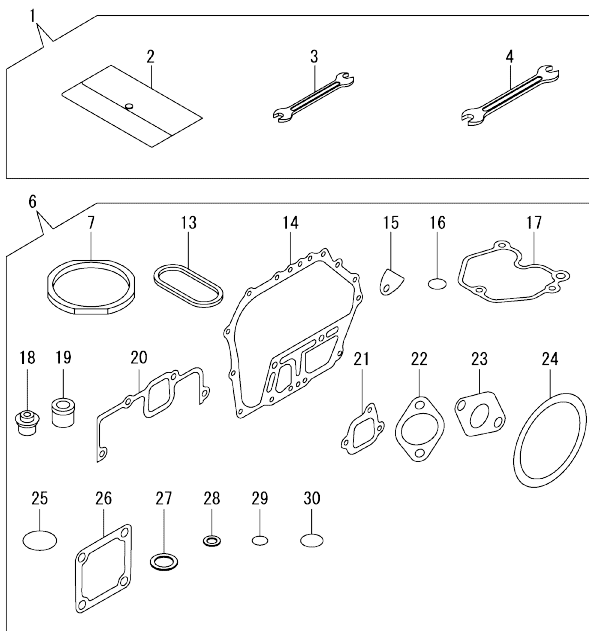


Fig.25. GASKET SET & TOOL



(A)=L70V5EJ4C1CACF
(B)=
(C)=

(D)=
(E)=
(F)=

No.	Lev.	Parts No.	Description	Q'ty						I	R
				(A)	(B)	(C)	(D)	(E)	(F)		
1	1	114299-92590	TOOL ASSY	1							
2	2	114299-92600	BAG, TOOL	1							
3	2	114299-92710	WRENCH	1							
4	2	114299-92720	WRENCH	1							
6	1	114220-92600	GASKET SET	1							1
7	2	114395-01331	GASKET, HEAD	1							
13	2	114399-01380	O-RING, TAPPET	1							
14	2	114399-01410	GASKET, CASE COVER	1							
15	2	114250-01841	GASKET, COVER	1							
16	2	114299-01950	O-RING, 18	2							
17	2	114210-11310	GASKET, BONNET	1							
18	2	114350-11341	SEAL, VALVE STEM	2							
19	2	114771-11461	GASKET, NOZZLE	1							
20	2	114210-12210	GASKET, AIR CLEANER	1							
21	2	114299-12210	GASKET, AIR CLEANER	2							
22	2	114299-12920	GASKET, AIR CLEANER	1							
23	2	114299-13200	GASKET, MUFFLER	1							
24	2	114399-21980	GASKET	1							
25	2	114299-32570	O-RING, PUMP COVER	1							
26	2	129100-77510	GASKET, AIR HEATER	3							
27	2	22190-160002	WASHER, SEAL 16	2							
28	2	23414-080000	GASKET, 8X1.0	1							
29	2	24341-000150	O-RING, 1AS15.0	1							
30	2	24341-000224	O-RING, 1AS22.4	1							

Remarks

(1)Optional parts.

Parts No. Index

Parts No.	Fig. No.	Ref. No.
105010-11490	4	27
114110-76910	16	78
114210-01200	4	1
114210-01210	4	2
114210-03590	4	39
114210-11120	4	10
114210-11180	4	11
114210-11310	4	36
	25	17
114210-11901	4	30
114210-11930	4	12
114210-11950	4	37
114210-12050	5	1
114210-12210	5	2
	25	20
114210-14200	7	1
114210-14300	7	2
114210-14580	7	8
114210-28050	11	6
114210-45150	15	1
114210-45260	14	2
114210-55220	17	3
114210-55230	17	4
114210-55810	17	15
114210-59800	16	70
114210-59850	16	76
114210-61290	12	32
114210-66300	18	3
114210-66330	18	5
114210-66350	18	7
114210-66511	18	2
114210-78800	23	5
114211-01450	1	35
114211-11020	4	3
114212-66600	18	19
11421C-11100	4	8
11421C-11110	4	9
11421C-11250	4	14
11421C-11260	4	15
11421C-11650	4	16
11421C-11660	4	20
11421C-13510	6	2
11421C-21840	8	1
114220-07100	3	4
114220-07110	3	6
114220-07130	3	18
114220-07151	3	16
	18	1
114220-14400	7	7
114220-22140	10	13

Parts No.	Fig. No.	Ref. No.
114220-22150	10	21
114220-66020	18	17
114220-92600	25	6
11422C-23700	10	28
11422C-55710	17	8
114239-59301	17	23
114240-11450	4	26
114240-11550	4	28
114240-22040	10	11
114240-22050	10	19
114240-55300	17	6
114249-53000	16	29
114250-01841	1	27
	25	15
114250-11240	4	18
		22
114250-12520	5	9
114250-12550	5	14
114250-12560	5	11
114250-12581	5	12
114250-32010	12	1
114250-53080	16	32
114250-53120	16	38
114250-53130	16	39
114250-53140	16	40
114250-53210	16	41
114250-55122	17	1
114250-55130	17	2
114295-61810	18	14
114295-61940	18	16
114295-66690	18	24
114299-01600	1	12
114299-01690	2	1
114299-01800	1	13
114299-01830	1	26
114299-01950	2	4
	25	16
114299-02030	1	45
114299-03640	4	42
114299-07101	3	5
114299-07111	3	7
114299-07160	3	8
114299-11600	4	29
114299-12210	5	5
	22	1
	25	21
114299-12300	5	6
	22	2
114299-12920	25	22
114299-13200	6	1

Parts No.	Fig. No.	Ref. No.
114299-13200	25	23
114299-13800	6	13
114299-21220	9	1
114299-21550	9	2
114299-32070	12	7
114299-32570	12	8
	25	25
114299-35110	12	12
114299-35150	1	40
114299-45220	14	1
114299-45301	15	3
114299-45310	15	4
114299-45331	15	5
114299-45350	15	6
114299-55040	17	12
114299-55080	17	10
114299-55110	17	13
114299-61190	12	17
114299-61600	12	29
114299-66201	18	18
114299-83020	16	79
114299-92590	25	1
114299-92600	25	2
114299-92710	25	3
114299-92720	25	4
1142A0-01010	1	1
114310-61910	18	26
114339-53100	16	33
114350-02113	1	46
114350-11341	4	25
	25	18
114351-77520	24	1
114362-77011	20	1
114371-77160	20	7
114371-77170	20	13
114371-77180	20	14
114371-79040	20	8
114371-79050	20	9
114371-79060	20	10
114371-79070	20	17
114381-77110	20	2
114381-77130	20	5
114381-77140	20	6
114381-77151	20	12
114395-01331	1	5
	25	7
114399-01380	1	11
	25	13
114399-01410	1	34
	25	14

Parts No.	Fig. No.	Ref. No.
114399-21590	9	3
114399-21600	9	6
114399-21980	25	24
114399-22300	10	9
114399-45320	14	3
114399-45340	14	4
114399-76251	19	2
114399-76510	19	3
114399-76521	19	4
114399-76540	19	7
114399-76550	19	8
114399-76560	19	9
114399-76570	19	10
114399-76580	19	11
114399-76590	19	14
114399-76600	19	6
114399-76620	19	12
114399-76630	19	13
114399-77410	21	2
114399-77560	21	1
114399-77720	21	3
114399-78000	21	4
114399-78280	23	1
114399-78770	23	2
114399-78780	23	3
114650-59061	17	25
114652-59310	17	27
114699-01760	2	2
114740-55200	17	14
114770-07450	5	13
114770-61520	12	28
114770-61610	12	30
114771-11461	25	19
114771-61830	18	15
114780-59010	17	20
114780-59060	17	21
114810-61500	12	18
114840-02110	1	38
114840-02200	1	42
114840-02210	1	43
114840-23600	10	33
114840-23610	10	35
114840-23620	10	37
114840-23910	10	39
118200-23200	10	32
119803-53400	16	42
121750-59890	17	28
124066-59100	17	26
124195-77770	20	16
124298-77020	20	15

Parts No. Index

Parts No.	Fig. No.	Ref. No.
124722-59050	17	24
129100-77501	22	3
129100-77510	22	4
	25	26
160110-02220	1	47
		48
160710-78710	23	4
183250-39450	13	1
183250-66321	18	4
183250-66341	18	6
183250-66361	18	8
183250-66371	18	9
183366-12530	5	10
183375-77560	22	5
183375-77570	22	6
22117-080000	17	16
22190-160002	2	5
	25	27
22242-000120	4	24
22252-000210	10	10
22312-030160	4	45
	12	9
22312-040080	1	28
22322-030200	12	27
22351-025005	16	37
22351-040008	4	31
22512-040120	9	7
23080-014000	17	22
23414-080000	17	11
	25	28
23875-020000	1	29
24162-152116	1	49
24311-000125	17	7
24311-000180	18	27
24341-000150	25	29
24341-000224	12	14
	25	30
26023-040102	21	5
26106-060082	19	15
26106-060122	12	10
	19	16
	21	6
	23	6
26106-060142	18	11
26106-060162	12	15
	18	10
26106-060202	5	16
	14	5
	18	12
	21	7

Parts No.	Fig. No.	Ref. No.
26106-060202	23	7
26106-060302	5	17
26106-060402	4	32
26106-060552	4	48
26106-080122	1	50
26106-080162	6	8
26106-080352	1	41
26106-080402	22	7
26106-080452	17	17
26106-100302	20	19
26216-080182	6	10
26226-060142	22	8
26226-060162	5	3
26226-060182	1	30
26226-060222	1	31
26226-060502	5	18
26226-060552	4	33
26306-080002	6	11
26366-060002	1	32
	4	34
	17	18
26716-080002	20	20
26856-060002	4	19
		23
714210-22721	10	1
714210-28510	11	1
714210-61701	12	31
714249-51610	16	1
714249-53100	16	28
714870-22502	10	3
783366-12560	5	7
X2114274200	20	18
X2114715500	20	4
X2114811000	20	3
X211485016	20	11

Parts No.	Fig. No.	Ref. No.
-----------	----------	----------

Parts No.	Fig. No.	Ref. No.
-----------	----------	----------