

0CC50-M03720EN

P R E F A C E

This parts catalog is the 1st edition of L70V6CX1T1AAMX for MARX.

Published : April, 2021

Contents

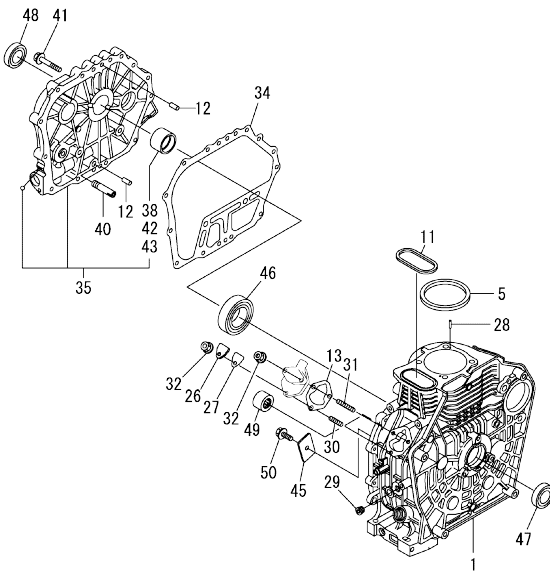
0CC50-M03720

Fig. No.	Fig. Name	Fig. No.	Fig. Name
ENGINE			
1.	CYLINDER BLOCK		
2.	DRAIN PLUG		
3.	LABEL		
4.	CYLINDER HEAD & BONNET		
5.	AIR CLEANER		
6.	EXHAUST MUFFLER		
7.	CAMSHAFT		
8.	CRANKSHAFT		
9.	FLYWHEEL		
10.	PISTON & CONNECTING ROD		
11.	BALANCER SHAFT		
12.	LUB. OIL PUMP & GOVERNOR		
13.	SWITCH CAP(OIL PRESSURE)		
14.	COVER		
15.	COOLING FAN CASE		
16.	FUEL INJECTION PUMP & FUEL INJECTION VALVE		
17.	FUEL TANK & FUEL PIPE		
18.	CONTROL DEVICE		
19.	RECOIL STARTER		
20.	STARTER MOTOR		
21.	ELECTRIC PARTS		
22.	KEY SWITCH		
23.	DYNAMO		
24.	GASKET SET & TOOL		

Fig.1. CYLINDER BLOCK

(A)=L70V6CX1T1AAMX
(B)=
(C)=

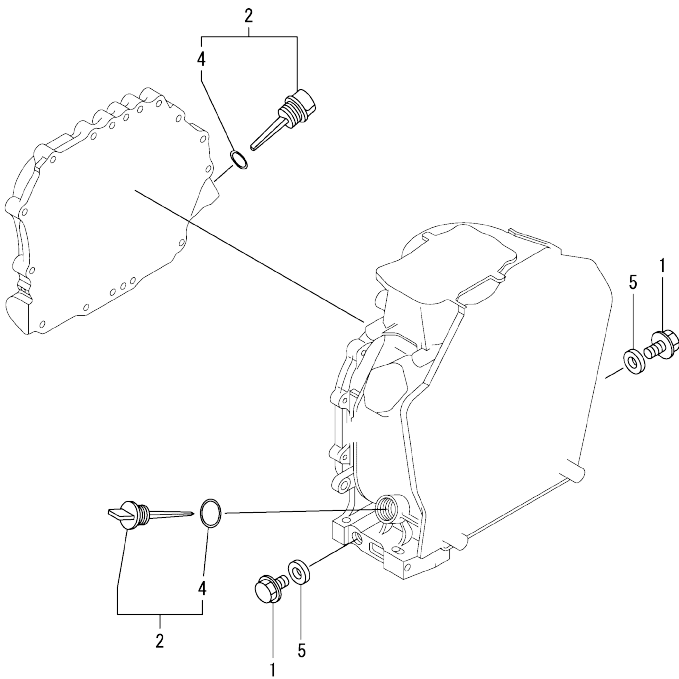
(D)=
(E)=
(F)=



No.	Lev.	Parts No.	Description	Q'ty						I	R
				(A)	(B)	(C)	(D)	(E)	(F)		
1	1	1142A0-01010	BLOCK ASSY, CYLINDER	1							
5	1	114395-01331	GASKET, HEAD	1							
11	1	114399-01380	O-RING, TAPPET	1							
12	1	114299-01600	PIN, PARALLEL 8X12	2							
13	1	114299-01800	SHIM SET, PUMP	1							
26	1	114299-01830	COVER, PUMP	1							
27	1	114250-01841	GASKET, COVER	1							
28	1	22312-040080	PIN, PARALLEL M4X 8	2							
29	1	23875-020000	PLUG, R02	1							
30	1	26226-060182	STUD, M6X 18	1							
31	1	26226-060222	STUD, M6X 22	2							
32	1	26366-060002	NUT, M6	3							
34	1	114399-01410	GASKET, CASE COVER	1							
35	1	114211-01450	COVER, CRANK CASE	1							
38	2	114840-02110	BEARING, MAIN	1							1
40	1	114299-35150	PIPE, OIL INLET	1							
41	1	26106-080352	BOLT, M8X 35 PLATED	15							
42	1	114840-02200	BEARING, MAIN 0.25OS	1							2
43	1	114840-02210	BEARING, MAIN 0.50OS	1							3
45	1	114299-02030	RETAINER, BEARING	1							
46	1	114350-02113	BEARING, B35-135G3C3	1							
47	1	160110-02220	SEAL, OIL 30X45X8	1							
48	1	160110-02220	SEAL, OIL 30X45X8	1							
49	1	24162-152116	BEARING, 152116	1							
50	1	26106-080122	BOLT, M8X 12 PLATED	1							

Remarks
(1) Spare parts.
(2) Over-sized (O.S.=0.25) parts.
(3) Over-sized (O.S.=0.50) parts.

OCC50-M03720 ENGINE
 Fig.2. DRAIN PLUG



OCC50-M03720 Fig.2

(A)=L70V6CX1T1AAMX
 (B)=
 (C)=

(D)=
 (E)=
 (F)=

No.	Lev.	Parts No.	Description	Q'ty					
				(A)	(B)	(C)	(D)	(E)	(F)
1	1	114299-01690	PLUG, DRAIN 16	2					
2	1	114699-01760	CAP ASSY, OIL SUPPLY	2					
4	2	114299-01950	O-RING, 18	2					
5	1	22190-160002	WASHER, SEAL 16	2					

Fig.3. LABEL

(A)=L70V6CX1T1AAMX
(B)=
(C)=

(D)=
(E)=
(F)=

No.	Lev.	Parts No.	Description	Q'ty					
				(A)	(B)	(C)	(D)	(E)	(F)
4	1	114220-07100	LABEL, CAUTION	1					
5	1	114299-07101	LABEL, YANMAR MARK A	1					
6	1	114220-07110	LABEL, HOW TO START	1					
7	1	114299-07111	LABEL, YANMAR MARK B	1					
8	1	114299-07160	LABEL, DIESEL	1					
13	1	114220-07130	LABEL, HOT SURFACE	1					
15	1	114220-07160	LABEL, THAI	1					

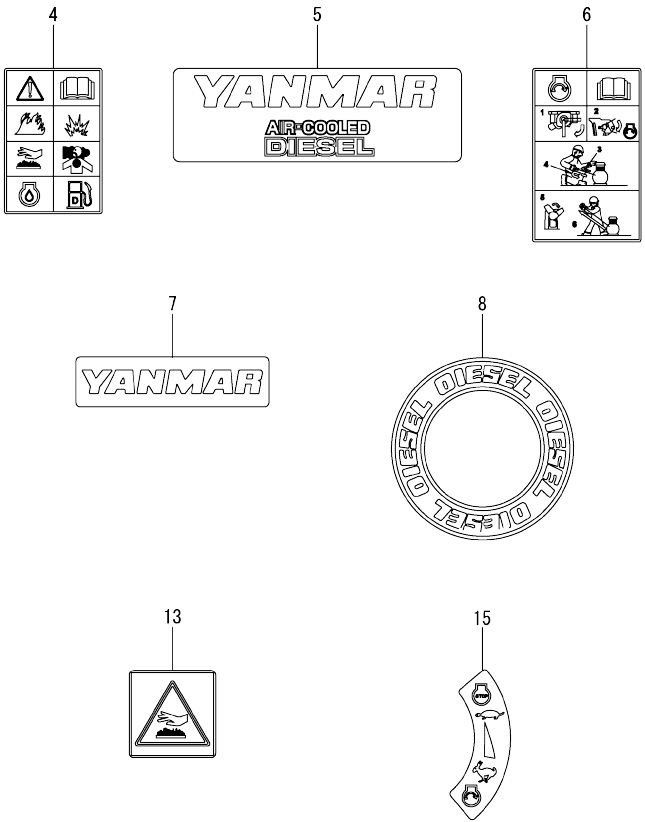
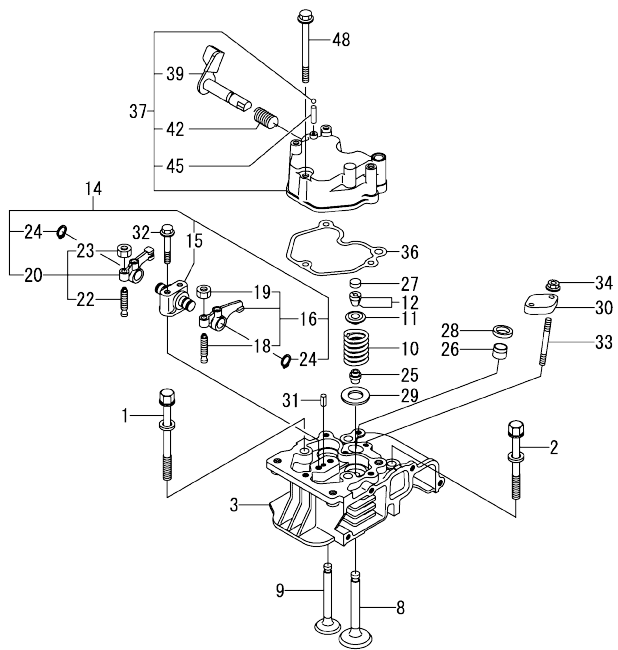


Fig.4. CYLINDER HEAD & BONNET



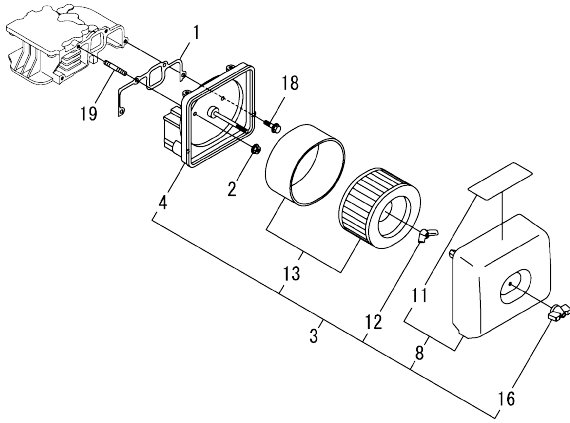
(A)=L70V6CX1T1AAMX
(B)=
(C)=

(D)=
(E)=
(F)=

No.	Lev.	Parts No.	Description	Q'ty						I	R	
				(A)	(B)	(C)	(D)	(E)	(F)			
1	1	114210-01200	BOLT, HEAD A		2							
2	1	114210-01210	BOLT, HEAD B		2							
3	1	114211-11020	HEAD, CYLINDER	1								
8	1	11421C-11100	VALVE, INTAKE		1							
9	1	11421C-11110	VALVE, EXHAUST		1							
10	1	114210-11120	SPRING, VALVE		2							
11	1	114210-11180	RETAINER, SPRING		2							
12	1	114210-11930	COTTER ASSY		2							
14	1	11421C-11250	SUPPORT ASSY, ARM		1							
15	2	11421C-11260	SUPPORT, ROCKER ARM		1							
16	2	11421C-11650	ARM ASSY, ROCKER		1							
18	3	114250-11240	SCREW, VALVE ADJUST		1							
19	3	26856-060002	NUT, M6		1							
20	2	11421C-11660	ARM ASSY, ROCKER EXH		1							
22	3	114250-11240	SCREW, VALVE ADJUST		1							
23	3	26856-060002	NUT, M6		1							
24	2	22242-000120	RING, 12		2							
25	1	114350-11341	SEAL, VALVE STEM		2							
26	1	114240-11450	PROTECTOR, NOZZLE		1							
27	1	105010-11490	CAP, VALVE		2							
28	1	114240-11550	SEAT, NOZZLE		1							
29	1	114299-11600	WASHER, VALVE SPRING		2							
30	1	114210-11901	RETAINER, VALVE		1							
31	1	22351-040008	PIN, SPRING 4.0X 8		1							
32	1	26106-060402	BOLT, M6X 40 PLATED		2							
33	1	26226-060552	STUD, M6X 55		2							
34	1	26366-060002	NUT, M6		2							
36	1	114210-11310	GASKET, BONNET		1							
37	1	114210-11950	BONNET ASSY, HEAD		1							
39	2	114210-03590	DECOMPRESSION ASSY		1							
42	2	114299-03640	SPRING, DECOMPRESSION		1							
45	2	22312-030160	PIN, PARALLEL M3X16		1							
48	1	26106-060552	BOLT, M6X 55 PLATED		3							

OCC50-M03720 ENGINE
 Fig.5. AIR CLEANER

OCC50-M03720 Fig.5

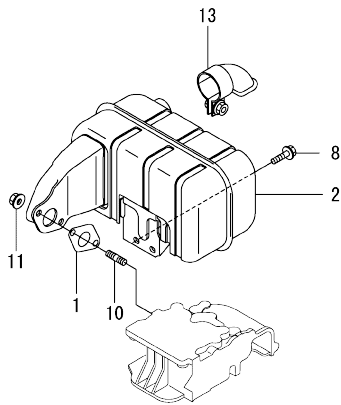


(A)=L70V6CX1T1AAMX
 (B)=
 (C)=

(D)=
 (E)=
 (F)=

No.	Lev.	Parts No.	Description	Q'ty					
				(A)	(B)	(C)	(D)	(E)	(F)
1	1	114210-12210	GASKET, AIR CLEANER	1					
2	1	114299-12300	NUT	3					
3	1	114210-12511	CLEANER ASSY, AIR	1					
4	2	114210-12010	BODY ASSY, CLEANER	1					
8	2	114210-12500	COVER ASSY, CLEANER	1					
11	3	114210-12610	LABEL, AIR CLEANER	1					
12	2	114210-12560	NUT, WING	1					
13	2	114210-12590	ELEMENT ASSY	1					
16	2	114210-12600	KNOB	1					
18	1	26106-060202	BOLT, M6X 20 PLATED	1					
19	1	26226-060302	STUD, M6X 30	3					

Fig.6. EXHAUST MUFFLER



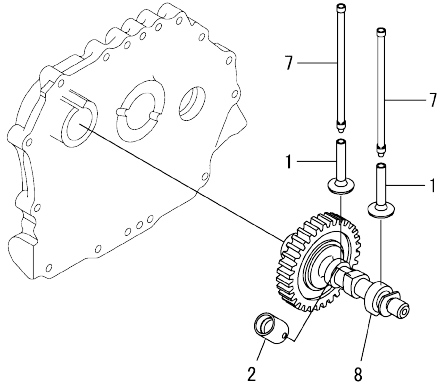
(A)=L70V6CX1T1AAMX
(B)=
(C)=

(D)=
(E)=
(F)=

No.	Lev.	Parts No.	Description	Q'ty						I	R
				(A)	(B)	(C)	(D)	(E)	(F)		
1	1	114299-13200	GASKET, MUFFLER	1							
2	1	11421C-13510	MUFFLER ASSY	1							
8	1	26106-080162	BOLT, M8X 16 PLATED	2							
10	1	26216-080182	STUD, M8X 18	2							
11	1	26306-080002	NUT, M8	2							
13	1	114299-13800	EXTENSION ASSY	1							

OCC50-M03720 ENGINE
 Fig.7. CAMSHAFT

OCC50-M03720 Fig.7

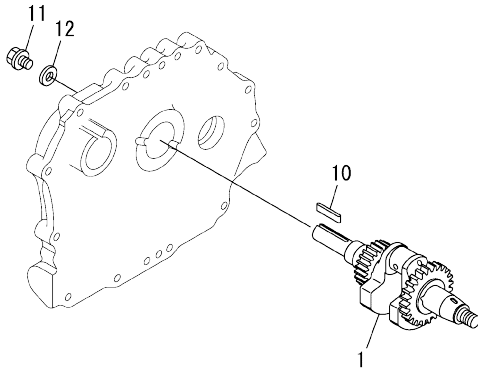


(A)=L70V6CX1T1AAMX
 (B)=
 (C)=

(D)=
 (E)=
 (F)=

No.	Lev.	Parts No.	Description	Q'ty					
				(A)	(B)	(C)	(D)	(E)	(F)
1	1	114210-14200	TAPPET	2					
2	1	114210-14300	TAPPET ASSY, ROLLER	1					
7	1	114220-14400	ROD ASSY, PUSH	2					
8	1	114210-14580	CAMSHAFT ASSY	1					

Fig.8. CRANKSHAFT

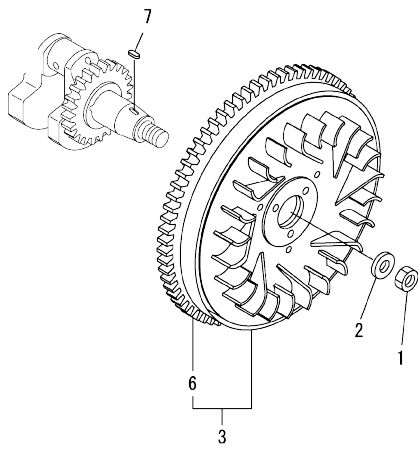


(A)=L70V6CX1T1AAMX
(B)=
(C)=

(D)=
(E)=
(F)=

No.	Lev.	Parts No.	Description	Q'ty					
				(A)	(B)	(C)	(D)	(E)	(F)
1	1	11421C-21830	CRANKSHAFT ASSY, E-D	1					
10	1	160842-21150	KEY, FEATHER 6.3X50	1					
11	1	160842-21250	BOLT, 7/16-20UNF	1					
12	1	160842-21260	WASHER, PULLEY	1					

OCC50-M03720 ENGINE
 Fig.9. FLYWHEEL



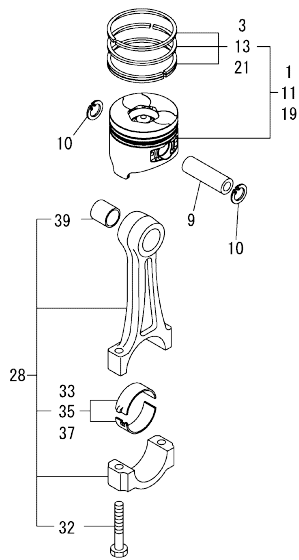
OCC50-M03720 Fig.9

(A)=L70V6CX1T1AAMX
 (B)=
 (C)=

(D)=
 (E)=
 (F)=

No.	Lev.	Parts No.	Description	Q'ty						I	R
				(A)	(B)	(C)	(D)	(E)	(F)		
1	1	114299-21220	NUT, WHEEL	1							
2	1	114299-21550	WASHER, FLYWHEEL	1							
3	1	114399-21590	FLYWHEEL ASSY, DE	1							
6	2	114399-21600	GEAR, RING	1							
7	1	22512-040120	KEY, 4X 12	1							

Fig.10. PISTON & CONNECTING ROD



(A)=L70V6CX1T1AAMX
(B)=
(C)=

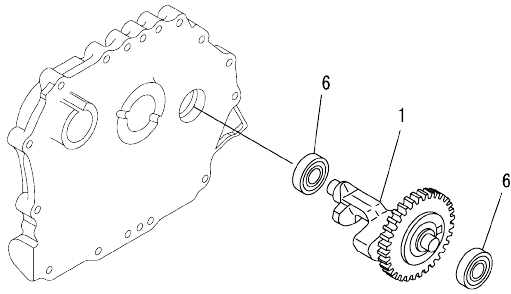
(D)=
(E)=
(F)=

No.	Lev.	Parts No.	Description	Q'ty						I	R
				(A)	(B)	(C)	(D)	(E)	(F)		
1	1	714210-22721	PISTON ASSY, D	1							
3	2	714870-22502	RING SET, PISTON	1							
9	1	114399-22300	PIN, PISTON D=21	1							
10	1	22252-000210	RING, 21	2							
11	1	114240-22040	PISTON ASSY, 0.25 OS	1							1
13	2	114220-22140	RING SET, PISTON .25	1							1
19	1	114240-22050	PISTON ASSY, 0.50 OS	1							2
21	2	114220-22150	RING SET, PISTON .50	1							2
28	1	11422C-23700	ROD ASSY, CONNECTING	1							
32	3	118200-23200	BOLT, CONNECTING ROD	2							
33	2	114840-23600	METAL, CRANK PIN	1							
35	1	114840-23610	METAL, CRANK PIN 0.25	1							1
37	1	114840-23620	METAL, CRANK PIN 0.50	1							2
39	1	114840-23910	BUSH, PISTON PINN	1							3

Remarks

- (1)Over-sized(O.S.=0.25) parts.
- (2)Over-sized(O.S.=0.50) parts.
- (3)Spare parts.

Fig.11. BALANCER SHAFT

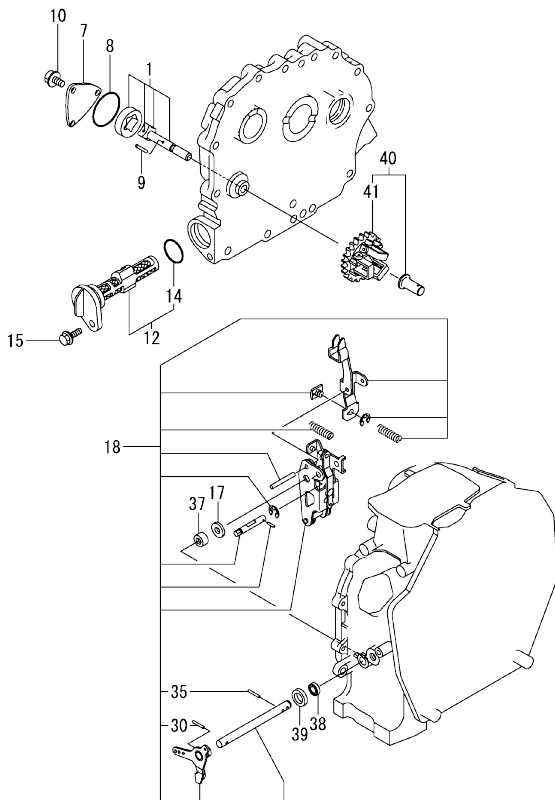


(A)=L70V6CX1T1AAMX
(B)=
(C)=

(D)=
(E)=
(F)=

No.	Lev.	Parts No.	Description	Qty						I	R	
				(A)	(B)	(C)	(D)	(E)	(F)			
1	1	714210-28510	SHAFT ASSY, BALANCER	1								
6	1	114210-28050	BEARING, 6203	2								

Fig.12. LUB. OIL PUMP & GOVERNOR



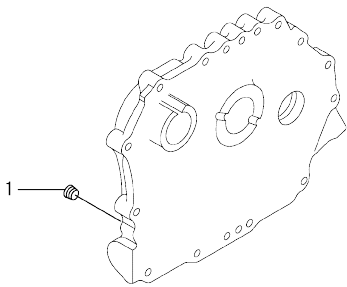
No.	Lev.	Parts No.	Description	Q'ty						I	R
				(A)	(B)	(C)	(D)	(E)	(F)		
1	1	114250-32010	PUMP ASSY, OIL	1							
7	1	114299-32070	COVER, OIL PUMP	1							
8	1	114299-32570	O-RING, PUMP COVER	1							
9	1	22312-030160	PIN, PARALLEL M3X16	1							
10	1	26106-060122	BOLT, M6X 12 PLATED	3							
12	1	114299-35110	FILTER ASSY, OIL	1							
14	2	24341-000224	O-RING, 1AS22.4	1							
15	1	26106-060162	BOLT, M6X 16 PLATED	1							
17	1	114299-61190	WASHER, GOVERNOR	1							
18	1	114210-61500	LEVER ASSY, GOVERNOR	1							1
30	3	22322-030200	PIN, TAPER 3X20	1							
35	2	22322-030200	PIN, TAPER 3X20	1							
37	1	114770-61520	BEARING, NEEDLE	2							
38	1	114299-61600	SEAL, OIL	1							
39	1	114770-61610	WASHER, THRUST	1							
40	1	714210-61701	GOVERNOR ASSY	1							
41	2	114210-61290	WEIGHT ASSY,GOVERNOR	1							

Remarks

(1)On a guarantee of quality, component parts shall not be sold.

OCC50-M03720 ENGINE

Fig.13. SWITCH CAP(OIL PRESSURE)



OCC50-M03720 Fig.13

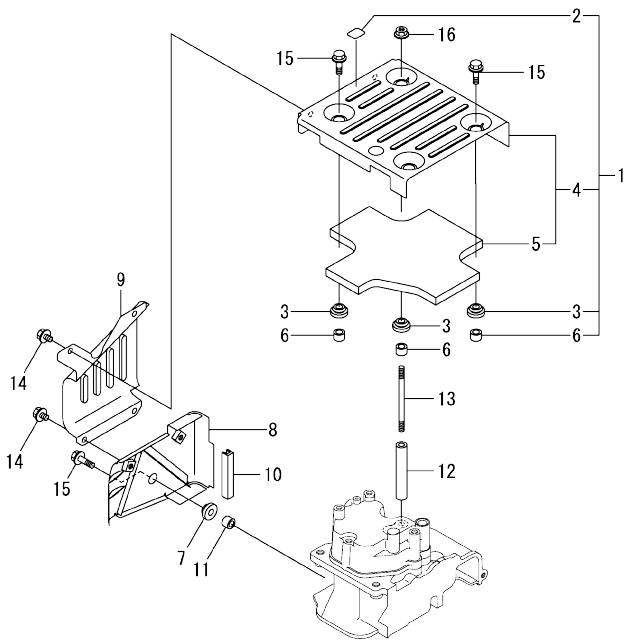
(A)=L70V6CX1T1AAMX
(B)=
(C)=

(D)=
(E)=
(F)=

No.	Lev.	Parts No.	Description	Q'ty						I	R
				(A)	(B)	(C)	(D)	(E)	(F)		
1	1	23876-010000	PLUG, R01	1							

OCC50-M03720 ENGINE
 Fig.14. COVER

OCC50-M03720 Fig.14

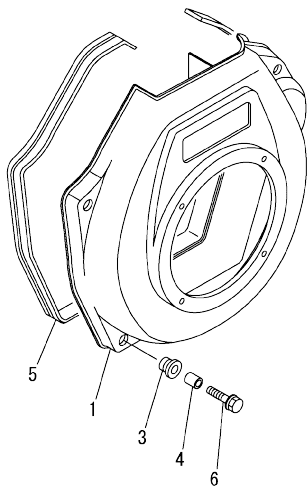


(A)=L70V6CX1T1AAMX
 (B)=
 (C)=

(D)=
 (E)=
 (F)=

No.	Lev.	Parts No.	Description	Q'ty						I	R
				(A)	(B)	(C)	(D)	(E)	(F)		
1	1	114220-45210	COVER ASSY, TOP	1							
2	2	114220-07120	LABEL, DECOMPRESSION	1							
3	2	114299-45220	GROMMET, TANK	4							
4	2	114210-45320	COVER, TOP	1							
5	3	114210-45310	ACOUSTIC ABSORBENT	1							
6	2	114399-45340	COLLAR	4							
7	1	114299-45220	GROMMET, TANK	1							
8	1	114210-45260	COVER, SIDE B	1							
9	1	114210-45270	COVER, SIDE A	1							
10	1	114399-45320	RUBBER, SEAL	1							
11	1	114399-45340	COLLAR	1							
12	1	114210-45350	SPACER, TOP COVER	1							
13	1	114210-45360	STUD, M6X87	1							
14	1	26106-060082	BOLT, M6X 8 PLATED	4							
15	1	26106-060202	BOLT, M6X 20 PLATED	4							
16	1	26366-060002	NUT, M6	1							

Fig.15. COOLING FAN CASE

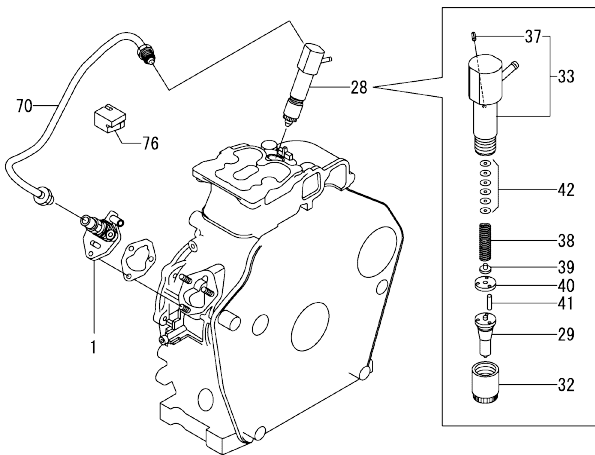


(A)=L70V6CX1T1AAMX
(B)=
(C)=

(D)=
(E)=
(F)=

No.	Lev.	Parts No.	Description	Q'ty						I	R
				(A)	(B)	(C)	(D)	(E)	(F)		
1	1	114210-45150	CASE, COOLING FAN	1							
3	1	114299-45301	RUBBER, FAN CASE	4							
4	1	114299-45310	COLLAR, FAN CASE	4							
5	1	114299-45331	SEAL, FAN CASE	1							
6	1	114299-45350	BOLT, FAN CASE	4							

Fig.16. FUEL INJECTION PUMP & FUEL INJECTION VALVE

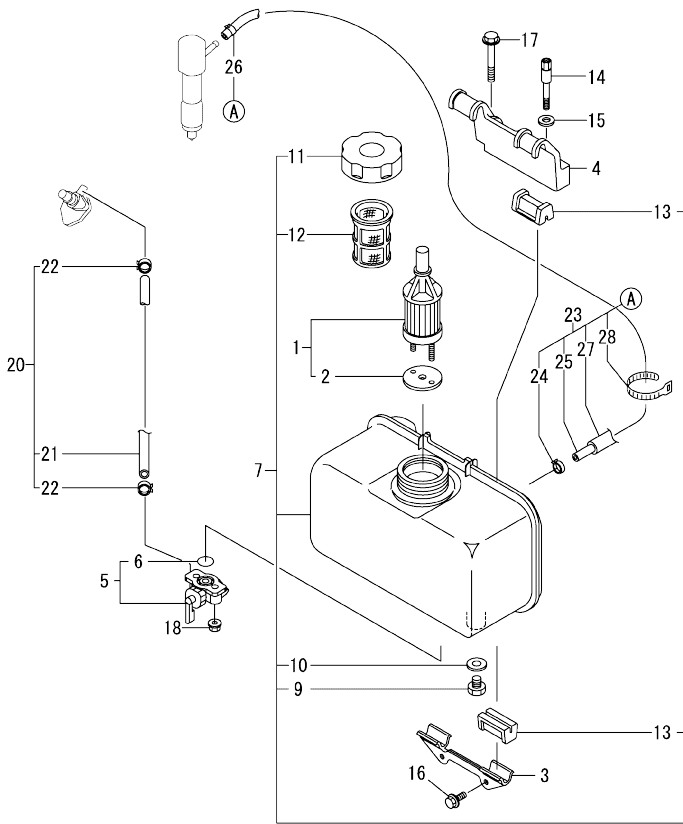


No.	Lev.	Parts No.	Description	Q'ty						I	R
				(A)	(B)	(C)	(D)	(E)	(F)		
1	1	714249-51400	PUMP ASSY, INJECTION	1							1
28	1	714249-53100	VALVE ASSY, INJECTION	1							
29	2	114249-53000	VALVE ASSY, INJECTION	1							
32	2	114250-53080	NUT, NOZZLE	1							
33	2	114339-53100	HOLDER ASSY, NOZZLE	1							
37	3	22351-025005	PIN, SPRING 2.5X 6	1							
38	2	114250-53120	SPRING, NOZZLE	1							
39	2	114250-53130	SEAT, SPRING	1							
40	2	114250-53140	SPACER, VALVE STOP	1							
41	2	114250-53210	PIN, POSITIONING	2							
42	2	119803-53400	SHIM SET	1							
70	1	114210-59800	PIPE ASSY, INJECTION	1							
76	1	114210-59850	SUPPORT, PIPE	1							

Remarks

(1) On a guarantee of quality, component parts shall not be sold.

Fig.17. FUEL TANK & FUEL PIPE

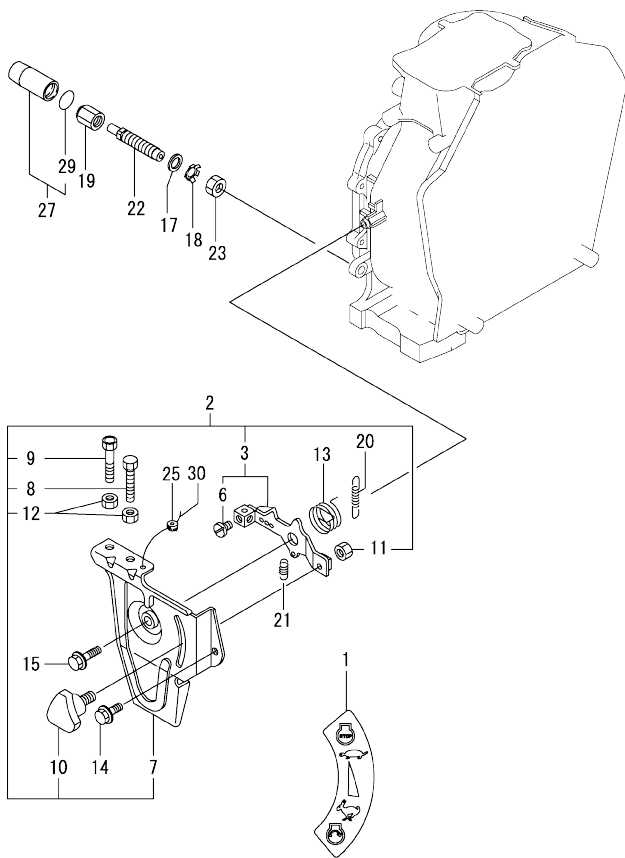


(A)=L70V6CX1T1AAMX
(B)=
(C)=

(D)=
(E)=
(F)=

No.	Lev.	Parts No.	Description	Q'ty						I	R
				(A)	(B)	(C)	(D)	(E)	(F)		
1	1	114250-55122	FILTER ASSY,FUEL OIL	1							
2	2	114250-55130	GASKET	1							
3	1	114210-55210	STAY, FUEL TANK A	1							
4	1	114210-55230	STAY, FUEL TANK B	1							
5	1	114240-55300	COCK ASSY, FUEL	1							
6	2	24311-000125	O-RING, 1AP12.5	1							
7	1	11422C-55710	TANK ASSY, FUEL	1							
9	2	114299-55080	PLUG, DRAIN	1							
10	2	23414-080000	GASKET, 8X1.0	1							
11	2	114299-55040	CAP ASSY, FUEL TANK	1							
12	2	114299-55110	STRAINER, FUEL TANK	1							
13	2	114740-55200	DAMPER, FUEL TANK	4							
14	1	114210-55810	BOLT, LIFTING	1							
15	1	22117-080000	WASHER, 8	1							
16	1	26106-060162	BOLT, M6X 16 PLATED	2							
17	1	26106-080452	BOLT, M8X 45 PLATED	1							
18	1	26366-060002	NUT, M6	2							
20	1	114780-59010	PIPE ASSY, FUEL L50	1							
21	2	114780-59060	PIPE, FUEL L=50	1							
22	2	23080-014000	CLAMP, 14	2							
23	1	114239-59301	PIPE ASSY, FO RETURN	1							
24	2	124722-59050	CLAMP, HOSE 9	1							
25	2	114650-59061	PIPE, FO RETURN	1							
26	2	124066-59100	CLAMP, HOSE 8	1							
27	2	114652-59310	TUBE, PROTECT	1							
28	2	121750-59890	BAND, NYLON	1							

Fig.18. CONTROL DEVICE

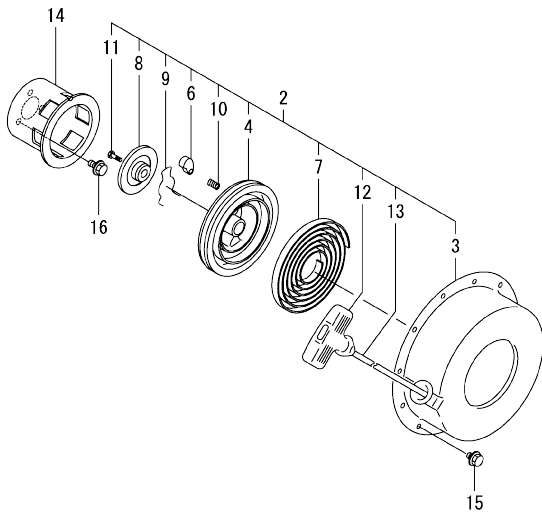


(A)=L70V6CX1T1AAMX
(B)=
(C)=

(D)=
(E)=
(F)=

No.	Lev.	Parts No.	Description	Q'ty						I	R
				(A)	(B)	(C)	(D)	(E)	(F)		
1	1	114220-07160	LABEL, THAI	1							
2	1	714210-66100	CONTROL ASSY, SPEED	1							
3	2	114210-66060	HANDLE ASSY	1							
6	3	26117-050089	BOLT, M5X 8 PLATED	1							
7	2	114210-66100	BRACKET, REGULATOR	1							
8	2	114299-66440	BOLT, ADJUSTER	1							
9	2	114299-67080	BOLT, ADJUST	1							
10	2	160725-78350	BOLT, KNOB M6X15	1							
11	2	26347-060002	NUT, M6	1							
12	2	26857-060002	NUT, M6	2							
13	1	114299-66250	SPRING, RETURN	1							
14	1	26106-060142	BOLT, M6X 14 PLATED	1							
15	1	26106-060202	BOLT, M6X 20 PLATED	1							
17	1	114295-61810	WASHER, PLAIN 14	1							
18	1	114771-61830	PLATE	1							
19	1	114295-61940	NUT, PROTECTOR M14	1							
20	1	114210-66010	SPRING, REGULATOR	1							
21	1	114299-66201	SPRING, RETURN	1							
22	1	114771-66600	LIMITER ASSY, FUEL	1							
23	1	114295-66690	NUT, LOCK M14	1							
25	1	114780-61090	TIN	1							
27	1	114295-61980	PROTECTOR ASSY	1							
29	2	24311-000180	O-RING, 1AP18.0	1							
30	1	22451-060000	WIRE, 0.6	1							

Fig.19. RECOIL STARTER

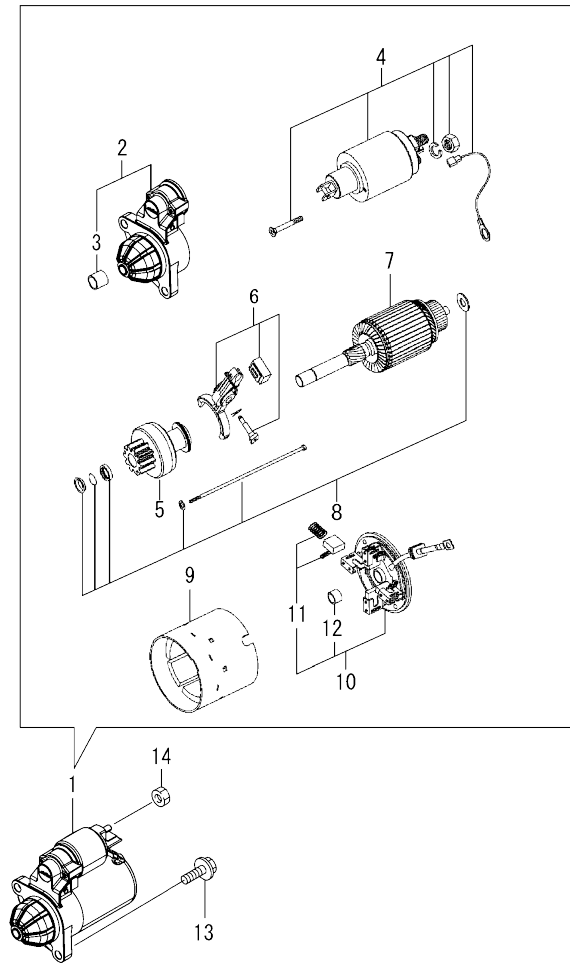


(A)=L70V6CX1T1AAMX
(B)=
(C)=

(D)=
(E)=
(F)=

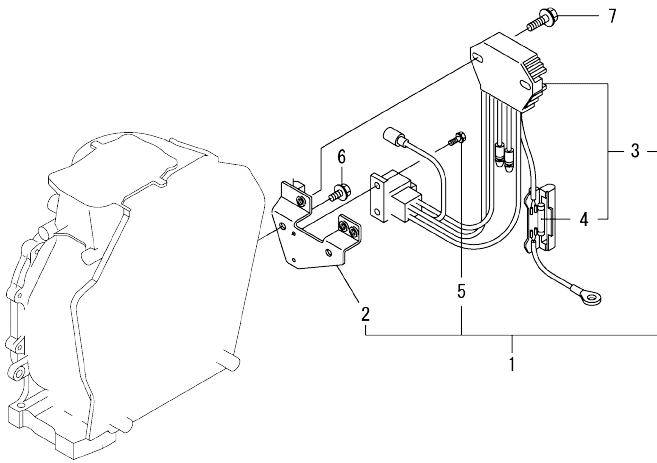
No.	Lev.	Parts No.	Description	Q'ty						I	R
				(A)	(B)	(C)	(D)	(E)	(F)		
2	2	114399-76251	STARTER ASSY, RECOIL	1							
3	3	114399-76510	CASE, STARTER	1							
4	3	114399-76521	REEL, RECOIL STARTER	1							
6	3	114399-76600	RATCHET	1							
7	3	114399-76540	SPRING, SPIRAL	1							
8	3	114399-76550	COVER, RATCHET	1							
9	3	114399-76560	SPRING	1							
10	3	114399-76570	SPRING, RETURN	1							
11	3	114399-76580	SCREW	1							
12	3	114399-76620	KNOB, STARTER	1							
13	3	114399-76630	ROPE, STARTER	1							
14	2	114399-76590	PULLEY, STARTER	1							
15	1	26106-060082	BOLT, M6X 8 PLATED	4							
16	1	26106-060122	BOLT, M6X 12 PLATED	3							

Fig.20. STARTER MOTOR



No.	Lev.	Parts No.	Description	Q'ty					
				(A)	(B)	(C)	(D)	(E)	(F)
1	1	114320-77020	MOTOR ASSY, STARTER	1					
2	2	114320-77200	GEAR, CASE	1					
3	3	114320-77210	BUSH, TOP SIDE	1					
4	2	114320-77220	SWITCH ASSY,MAGNETIC	1					
5	2	114320-77230	PINION ASSY, CLUTCH	1					
6	2	114320-77240	LEVER KIT, SHIFT	1					
7	2	114320-77250	ARMATURE ASSY	1					
8	2	114320-77260	BOLT ASSY, THROUGH	2					
9	2	114320-77270	YOKE ASSY	1					
10	2	114320-77280	COVER ASSY, REAR	1					
11	3	114320-77290	HOLDER ASSY, BRUSH	4					
12	3	114320-77300	BUSH, REAR SIDE	1					
13	1	26106-100302	BOLT, M10X 30 PLATED	2					
14	1	26716-080002	NUT, M8	1					

Fig.21. ELECTRIC PARTS

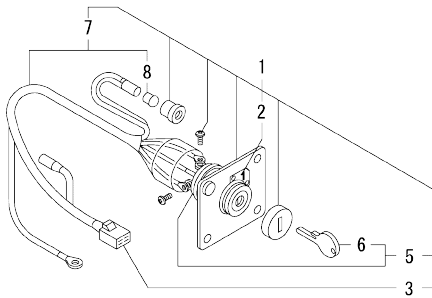


(A)=L70V6CX1T1AAMX
(B)=
(C)=

(D)=
(E)=
(F)=

No.	Lev.	Parts No.	Description	Q'ty						I	R
				(A)	(B)	(C)	(D)	(E)	(F)		
1	1	114320-77561	REGULATOR ASSY, 24V	1							
2	2	114399-77400	BRACKET, HARNESS	1							
3	2	114320-77721	REGULATOR, 24V-11A	1							
4	3	114399-78010	FUSE, 20A	1							
5	2	26023-040102	SCREW, M4X10	2							
6	1	26106-060122	BOLT, M6X 12 PLATED	2							
7	1	26106-060252	BOLT, M6X 25 PLATED	2							

Fig.22. KEY SWITCH

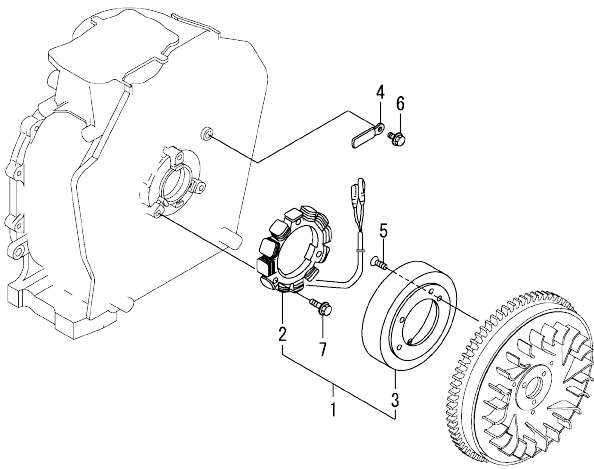


(A)=L70V6CX1T1AAMX
(B)=
(C)=

(D)=
(E)=
(F)=

No.	Lev.	Parts No.	Description	Q'ty					
				(A)	(B)	(C)	(D)	(E)	(F)
1	1	114220-77500	PANEL ASSY, SWITCH	1					
2	2	114220-07170	LABEL, START SWITCH	1					
3	2	114351-77520	COUPLER	1					
5	2	106100-77620	SWITCH, KEY	1					
6	3	106100-77630	KEY, SWITCH	1					
7	2	114351-77700	HARNES, WIRE	1					
8	3	29220-083200	BULB (12V/3.4W)	1					

OCC50-M03720 ENGINE
 Fig.23. DYNAMO



OCC50-M03720 Fig.23

(A)=L70V6CX1T1AAMX
 (B)=
 (C)=

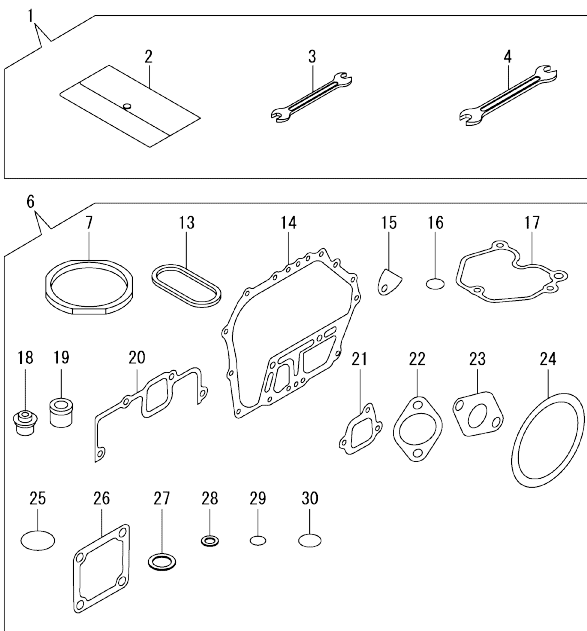
(D)=
 (E)=
 (F)=

No.	Lev.	Parts No.	Description	Q'ty					
				(A)	(B)	(C)	(D)	(E)	(F)
1	1	114320-78260	DYNAMO ASSY, 24V-11A	1					
2	2	114320-78730	STATOR ASSY, 24V-11A	1					
3	2	114320-78740	WHEEL,DYNAMO 24V-11A	1					
4	1	160710-78710	CLAMP, CORD	1					
5	1	114210-78800	SCREW, M6	3					
6	1	26106-060122	BOLT, M6X 12 PLATED	1					
7	1	26106-060202	BOLT, M6X 20 PLATED	3					

Fig.24. GASKET SET & TOOL

(A)=L70V6CX1T1AAMX
(B)=
(C)=

(D)=
(E)=
(F)=



No.	Lev.	Parts No.	Description	Q'ty						I	R
				(A)	(B)	(C)	(D)	(E)	(F)		
1	1	114299-92590	TOOL ASSY	1							
2	2	114299-92600	BAG, TOOL	1							
3	2	114299-92710	WRENCH	1							
4	2	114299-92720	WRENCH	1							
6	1	114220-92600	GASKET SET	1							1
7	2	114395-01331	GASKET, HEAD	1							
13	2	114399-01380	O-RING, TAPPET	1							
14	2	114399-01410	GASKET, CASE COVER	1							
15	2	114250-01841	GASKET, COVER	1							
16	2	114299-01950	O-RING, 18	2							
17	2	114210-11310	GASKET, BONNET	1							
18	2	114350-11341	SEAL, VALVE STEM	2							
19	2	114771-11461	GASKET, NOZZLE	1							
20	2	114210-12210	GASKET, AIR CLEANER	1							
21	2	114299-12210	GASKET, AIR CLEANER	2							
22	2	114299-12920	GASKET, AIR CLEANER	1							
23	2	114299-13200	GASKET, MUFFLER	1							
24	2	114399-21980	GASKET	1							
25	2	114299-32570	O-RING, PUMP COVER	1							
26	2	129100-77510	GASKET, AIR HEATER	3							
27	2	22190-160002	WASHER, SEAL 16	2							
28	2	23414-080000	GASKET, 8X1.0	1							
29	2	24341-000150	O-RING, 1AS15.0	1							
30	2	24341-000224	O-RING, 1AS22.4	1							

Remarks

(1)Optional parts.

Parts No. Index

Parts No.	Fig. No.	Ref. No.
105010-11490	4	27
106100-77620	22	5
106100-77630	22	6
114210-01200	4	1
114210-01210	4	2
114210-03590	4	39
114210-11120	4	10
114210-11180	4	11
114210-11310	4	36
	24	17
114210-11901	4	30
114210-11930	4	12
114210-11950	4	37
114210-12010	5	4
114210-12210	5	1
	24	20
114210-12500	5	8
114210-12511	5	3
114210-12560	5	12
114210-12590	5	13
114210-12600	5	16
114210-12610	5	11
114210-14200	7	1
114210-14300	7	2
114210-14580	7	8
114210-28050	11	6
114210-45150	15	1
114210-45260	14	8
114210-45270	14	9
114210-45310	14	5
114210-45320	14	4
114210-45350	14	12
114210-45360	14	13
114210-55210	17	3
114210-55230	17	4
114210-55810	17	14
114210-59800	16	70
114210-59850	16	76
114210-61290	12	41
114210-61500	12	18
114210-66010	18	20
114210-66060	18	3
114210-66100	18	7
114210-78800	23	5
114211-01450	1	35
114211-11020	4	3
11421C-11100	4	8
11421C-11110	4	9
11421C-11250	4	14
11421C-11260	4	15

Parts No.	Fig. No.	Ref. No.
11421C-11650	4	16
11421C-11660	4	20
11421C-13510	6	2
11421C-21830	8	1
114220-07100	3	4
114220-07110	3	6
114220-07120	14	2
114220-07130	3	13
114220-07160	3	15
	18	1
114220-07170	22	2
114220-14400	7	7
114220-22140	10	13
114220-22150	10	21
114220-45210	14	1
114220-77500	22	1
114220-92600	24	6
11422C-23700	10	28
11422C-55710	17	7
114239-59301	17	23
114240-11450	4	26
114240-11550	4	28
114240-22040	10	11
114240-22050	10	19
114240-55300	17	5
114249-53000	16	29
114250-01841	1	27
	24	15
114250-11240	4	18
		22
114250-32010	12	1
114250-53080	16	32
114250-53120	16	38
114250-53130	16	39
114250-53140	16	40
114250-53210	16	41
114250-55122	17	1
114250-55130	17	2
114295-61810	18	17
114295-61940	18	19
114295-61980	18	27
114295-66690	18	23
114299-01600	1	12
114299-01690	2	1
114299-01800	1	13
114299-01830	1	26
114299-01950	2	4
	24	16
114299-02030	1	45
114299-03640	4	42

Parts No.	Fig. No.	Ref. No.
114299-07101	3	5
114299-07111	3	7
114299-07160	3	8
114299-11600	4	29
114299-12210	24	21
114299-12300	5	2
114299-12920	24	22
114299-13200	6	1
	24	23
114299-13800	6	13
114299-21220	9	1
114299-21550	9	2
114299-32070	12	7
114299-32570	12	8
	24	25
114299-35110	12	12
114299-35150	1	40
114299-45220	14	3
		7
114299-45301	15	3
114299-45310	15	4
114299-45331	15	5
114299-45350	15	6
114299-55040	17	11
114299-55080	17	9
114299-55110	17	12
114299-61190	12	17
114299-61600	12	38
114299-66201	18	21
114299-66250	18	13
114299-66440	18	8
114299-67080	18	9
114299-92590	24	1
114299-92600	24	2
114299-92710	24	3
114299-92720	24	4
1142A0-01010	1	1
114320-77020	20	1
114320-77200	20	2
114320-77210	20	3
114320-77220	20	4
114320-77230	20	5
114320-77240	20	6
114320-77250	20	7
114320-77260	20	8
114320-77270	20	9
114320-77280	20	10
114320-77290	20	11
114320-77300	20	12
114320-77561	21	1

Parts No.	Fig. No.	Ref. No.
114320-77721	21	3
114320-78260	23	1
114320-78730	23	2
114320-78740	23	3
114339-53100	16	33
114350-02113	1	46
114350-11341	4	25
	24	18
114351-77520	22	3
114351-77700	22	7
114395-01331	1	5
	24	7
114399-01380	1	11
	24	13
114399-01410	1	34
	24	14
114399-21590	9	3
114399-21600	9	6
114399-21980	24	24
114399-22300	10	9
114399-45320	14	10
114399-45340	14	6
		11
114399-76251	19	2
114399-76510	19	3
114399-76521	19	4
114399-76540	19	7
114399-76550	19	8
114399-76560	19	9
114399-76570	19	10
114399-76580	19	11
114399-76590	19	14
114399-76600	19	6
114399-76620	19	12
114399-76630	19	13
114399-77400	21	2
114399-78010	21	4
114650-59061	17	25
114652-59310	17	27
114699-01760	2	2
114740-55200	17	13
114770-61520	12	37
114770-61610	12	39
114771-11461	24	19
114771-61830	18	18
114771-66600	18	22
114780-59010	17	20
114780-59060	17	21
114780-61090	18	25
114840-02110	1	38

Parts No. Index

Parts No.	Fig. No.	Ref. No.
114840-02200	1	42
114840-02210	1	43
114840-23600	10	33
114840-23610	10	35
114840-23620	10	37
114840-23910	10	39
118200-23200	10	32
119803-53400	16	42
121750-59890	17	28
124066-59100	17	26
124722-59050	17	24
129100-77510	24	26
160110-02220	1	47
		48
160710-78710	23	4
160725-78350	18	10
160842-21150	8	10
160842-21250	8	11
160842-21260	8	12
22117-080000	17	15
22190-160002	2	5
	24	27
22242-000120	4	24
22252-000210	10	10
22312-030160	4	45
	12	9
22312-040080	1	28
22322-030200	12	30
		35
22351-025005	16	37
22351-040008	4	31
22451-060000	18	30
22512-040120	9	7
23080-014000	17	22
23414-080000	17	10
	24	28
23875-020000	1	29
23876-010000	13	1
24162-152116	1	49
24311-000125	17	6
24311-000180	18	29
24341-000150	24	29
24341-000224	12	14
	24	30
26023-040102	21	5
26106-060082	14	14
	19	15
26106-060122	12	10
	19	16
	21	6

Parts No.	Fig. No.	Ref. No.
26106-060122	23	6
26106-060142	18	14
26106-060162	12	15
	17	16
26106-060202	5	18
	14	15
	18	15
	23	7
26106-060252	21	7
26106-060402	4	32
26106-060552	4	48
26106-080122	1	50
26106-080162	6	8
26106-080352	1	41
26106-080452	17	17
26106-100302	20	13
26117-050089	18	6
26216-080182	6	10
26226-060182	1	30
26226-060222	1	31
26226-060302	5	19
26226-060552	4	33
26306-080002	6	11
26347-060002	18	11
26366-060002	1	32
	4	34
	14	16
	17	18
26716-080002	20	14
26856-060002	4	19
		23
26857-060002	18	12
29220-083200	22	8
714210-22721	10	1
714210-28510	11	1
714210-61701	12	40
714210-66100	18	2
714249-51400	16	1
714249-53100	16	28
714870-22502	10	3

Parts No.	Fig. No.	Ref. No.
-----------	----------	----------

Parts No.	Fig. No.	Ref. No.
-----------	----------	----------