

0CD11-M11400EN

P R E F A C E

1. This Parts Catalog carries all parts incorporated in YANMAR Model L70V6-MEJ2, L100V6-MEJ2 engine manufactured since June, 2010.
2. Each illustration corresponds to the parts list on the following page.
3. When ordering parts, clearly write down the engine model and serial number, as well as the name and number of each part in your order sheet. This will help insure reliable delivery of the parts you have ordered.

Directions for the Parts Catalog.

- The parts stipulated in this Parts Catalog are not necessarily standard equipped parts.
- Parts may change without prior notice.
- The following is an example of the Parts Catalog format.

REF.	LEV.	PARTS NO.	DESCRIPTION	Q'TY						I	R
				(A)	(B)	(C)	(D)	(E)	(F)		
1	1	729595-51390	FUEL INJECTION PUMP	1	1	1	1	1			1
1-1	1	729595-51391	FUEL INJECTION PUMP	1	1	1	1	1		N	1
		(A=E00185) (B=E00200)									
3	2	26022-060162	SCREW M 6X 16	9	9	9	9	9			
3-1	2	26022-060162	SCREW M 6X 16	4	4	4	4	4		K	
		(A=E00156) (B=E00156) (C=E00156) (D=E00156) (E=E00156)									
4	2	129470-51040	CAMSHAFT	1	1	1	1	1			
5	2	122710-51050	BEARING, ROLLER	2	2	2	2	2			
6	2	129470-51060	RETAINER	1	1	1	1	1			

Remarks
(1) BOOST COMPEMSATOR TYPE. OPTIONAL PART, TO E00155,(4JH-DT, 4JH-DTZ

① Ref. No.

The Ref. No. listed may not be in accordance with the illustration Ref. No.

(Ex.) Illustration No.

List Ref No.

1 1 (Before change) → 1-1 (After change)

For interchangeable symbols N, R and K, illustrations for new parts may be abbreviated.

② Lev. (Level)

Level indication

The numbers below indicate the level of relativity towards the main part.

1 ---- Main parts (Assembly parts)

2 ---- Sub component included in " 1 ".

3 ---- Sub component included in " 2 ".

Note) Parts that are not for sale are partially illustrated but not listed.

③ Interchangeability Mark

When a part change takes place, one of the following interchangeability symbols is indicated beside the part.

Symbol	Interchangeability	Contents note
N	Old $\begin{matrix} \leftarrow \text{Yes} \\ \text{No} \rightarrow \end{matrix}$ New	New Part is interchangeable for Old Part but Old Part is not interchangeable for New Part.
Q	Old $\begin{matrix} \leftarrow \text{No} \\ \text{Yes} \rightarrow \end{matrix}$ New	New Part is not interchangeable for Old Part but Old Part is interchangeable for New Part.
R	Old $\begin{matrix} \leftarrow \text{Yes} \\ \text{Yes} \rightarrow \end{matrix}$ New	New/ Old Parts are both interchangeable.
S	Old $\begin{matrix} \leftarrow \text{No} \\ \text{No} \rightarrow \end{matrix}$ New	New/ Old Parts are both not interchangeable.
W		Part newly added.
Z		Part discontinued.
F		Not interchangeable by a single part but interchangeable together with related parts.
K		Changes only for used parts quantities.

④ Effective Machine No.

When a part changes, the effective Machine No. will be indicated in the (A)-(F) column.

Product Symbol	Product No.	Product Symbol	Product No.
C	Clutch No. Compressor No.	F	Machine No. (Agricultural Equip.)
D	Drive No.	M	Machine No.
E	Engine No.		

Note 1) A date may follow the symbol. (Ex.) 1996.01

Note 2) "XXXXX" and "ZZZZZ" are for parts that could not be predicted or for engine models that could not be identified.

Note 3) (A=E00185) is the E (Engine Serial Number) for the column (A) model (in this case 4JH-DT) after the parts design change.

⑤ Remarks Mark

Figures or alphabets (symbols) are entered in the remarks column.

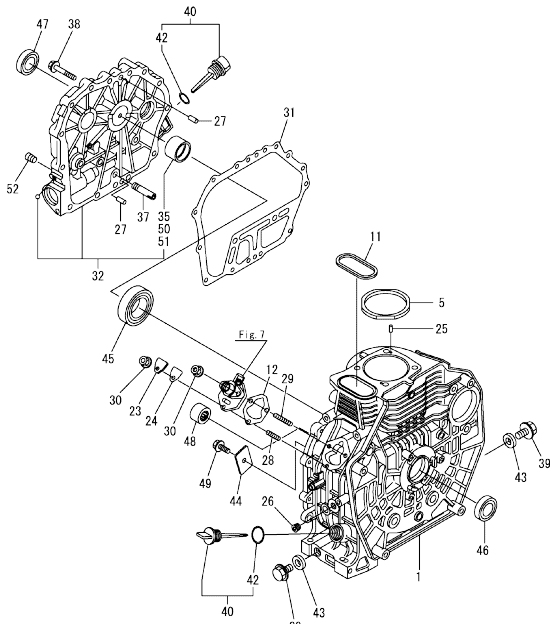
The comments (remarks) on parts that are indicated at the bottom of the illustration are the same symbols as those stated above.

Contents

OCD11-M11400

Fig. No.	Fig. Name	Fig. No.	Fig. Name
L70V6-MEJ2			
1.	CYLINDER BLOCK		
2.	CYLINDER HEAD & BONNET		
3.	AIR CLEANER & MUFFLER		
4.	CRANKSHAFT,PISTON & CAMSHAFT		
5.	LUB.OIL PUMP & GOVERNOR		
6.	COOLING & STARTING DEVICE		
7.	F.I.PUMP & F.I.VALVE		
8.	FUEL TANK & FUEL PIPE		
9.	STARTING MOTOR & DYNAMO		
10.	TOOL,LABEL & GASKET SET		
L100V6-MEJ2			
11.	CYLINDER BLOCK		
12.	CYLINDER HEAD & BONNET		
13.	AIR CLEANER & MUFFLER		
14.	CRANKSHAFT, PISTON & CAMSHAFT		
15.	LUB.OIL PUMP & GOVERNOR		
16.	COOLING & STARTING DEVICE		
17.	F.I.PUMP & F.I.VALVE		
18.	FUEL TANK & FUEL PIPE		
19.	STARTING MOTOR & DYNAMO		
20.	TOOL,LABEL & GASKET SET		

Fig.1. CYLINDER BLOCK



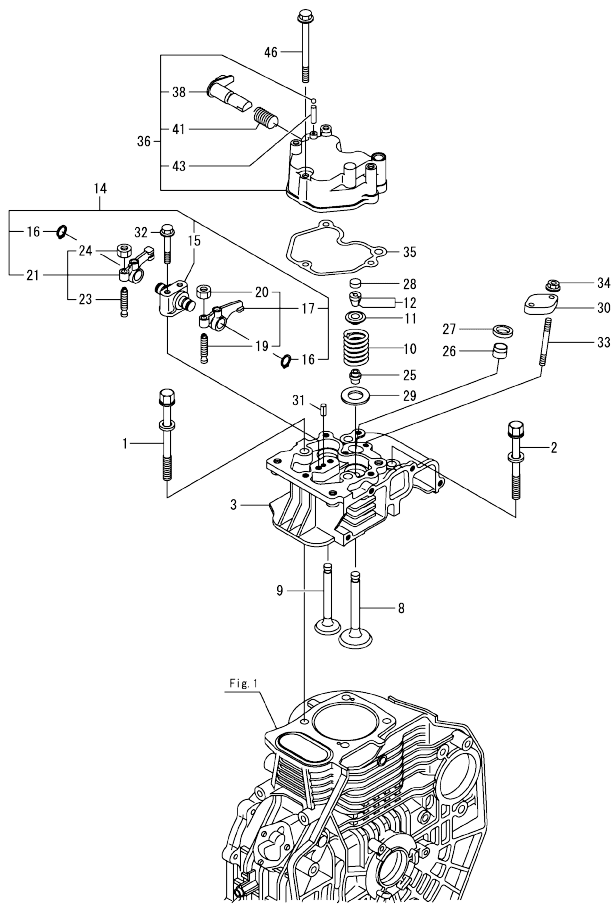
(A)=L70V6-MEJ2
(B)=
(C)=

(D)=
(E)=
(F)=

No.	Lev.	Parts No.	Description	Q'ty						I	R
				(A)	(B)	(C)	(D)	(E)	(F)		
1	1	114210-01010	BLOCK ASSY, CYLINDER	1							
5	1	114395-01331	GASKET, HEAD	1							
11	1	114399-01380	O-RING	1							
12	1	114299-01800	SHIM SET	1							
23	1	114299-01830	COVER	1							
24	1	114250-01841	GASKET	1							
25	1	22312-040080	PIN, PARALLEL M4X 8	2							
26	1	23875-020000	PLUG, R02	1							
27	1	114299-01600	PIN, 8X12	2							
28	1	26226-060182	STUD, M6X 18	1							
29	1	26226-060222	STUD, M6X 22	2							
30	1	26366-060002	NUT, M6	3							
31	1	114399-01410	GASKET, CRANK CASE	1							
32	1	114210-01460	COVER(D, CRANK CASE	1							
35	2	114350-02100	BEARING, MAIN	1							1
37	1	114299-35150	PIPE, OIL INLET	1							
38	1	26106-080352	BOLT, M8X 35 PLATED	15							
39	1	114299-01690	PLUG M16	2							
40	1	114699-01760	CAP ASSY	2							
42	2	114299-01950	O-RING, 18	2							
43	1	22190-160002	WASHER, SEAL 16	2							
44	1	114299-02030	RETAINER, BEARING	1							
45	1	114350-02113	BEARING, B35-135G3C3	1							
46	1	160110-02220	SEAL, OIL	1							
47	1	160110-02220	SEAL, OIL	1							
48	1	24162-152116	BEARING, 152116	1							
49	1	26106-080122	BOLT, M8X 12 PLATED	1							
50	1	114350-02200	BEARING, 0.25 US	1							2
51	1	114350-02210	BEARING, 0.50 US	1							3
52	1	23876-010000	PLUG, R01	1							

Remarks
(1)Repair part.
(2)Under sized(U.S.=0.25)parts.
(3)Under sized(U.S.=0.50)parts.

Fig.2. CYLINDER HEAD & BONNET

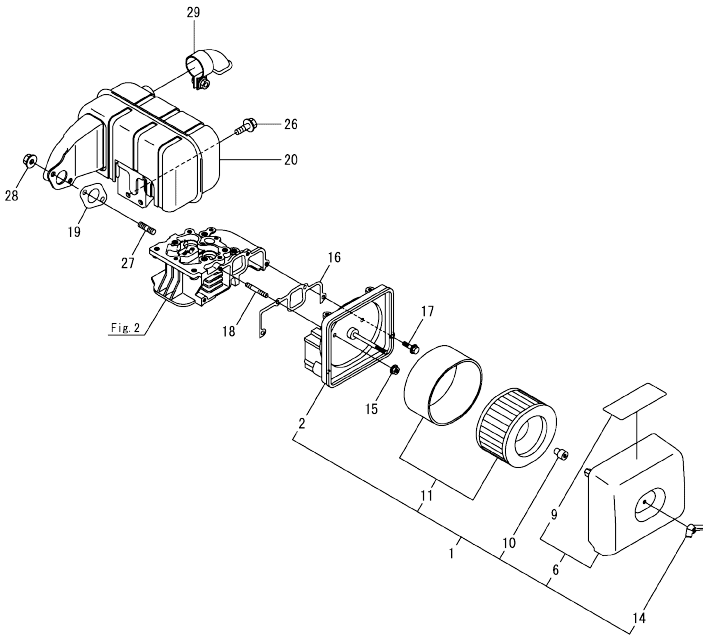


(A)=L70V6-MEJ2
(B)=
(C)=

(D)=
(E)=
(F)=

No.	Lev.	Parts No.	Description	Qty						I	R		
				(A)	(B)	(C)	(D)	(E)	(F)				
1	1	114210-01200	BOLT, CYL HEAD A										
2	1	114210-01210	BOLT, CYL HEAD B										
3	1	114211-11020	HEAD ASSY, CYLINDER										
8	1	11421C-11100	VALVE, INTAKE										
9	1	11421C-11110	VALVE, EXHAUST										
10	1	114210-11120	SPRING, VALVE										
11	1	114210-11180	RETAINER, SPRING										
12	1	114210-11930	COTTER ASSY										
14	1	11421C-11250	SUPPORT ASSY, ARM										
15	2	11421C-11260	SUPPORT, ROCKER ARM										
16	2	22242-000120	RING, 12										
17	2	11421C-11650	ARM ASSY, ROCKER										
19	3	114250-11240	SCREW, VALVE ADJUST										
20	3	26856-060002	NUT, M6										
21	2	11421C-11660	ARM ASSY, ROCKER										
23	3	114250-11240	SCREW, VALVE ADJUST										
24	3	26856-060002	NUT, M6										
25	1	114350-11340	SEAL, VALVE STEM										
26	1	114240-11450	PROTECTOR, NOZZLE										
27	1	114240-11550	SEAT, NOZZLE										
28	1	105010-11490	CAP, VALVE										
29	1	114299-11600	WASHER, VALVE SPRING										
30	1	114210-11901	RETAINER, NOZZLE										
31	1	22351-040008	PIN, SPRING 4.0X 8										
32	1	26106-060402	BOLT, M6X 40 PLATED										
33	1	26226-060552	STUD, M6X 55										
34	1	26366-060002	NUT, M6										
35	1	114210-11310	GASKET, BONNET										
36	1	114210-11950	BONNET ASSY, HEAD										
38	2	114210-03590	DECOMPRESSION ASSY										
41	2	114299-03640	SPRING, DECOMPRESSION										
43	2	22312-030160	PIN, PARALLEL M3X16										
46	1	26106-060552	BOLT, M6X 55 PLATED										

Fig.3. AIR CLEANER & MUFFLER

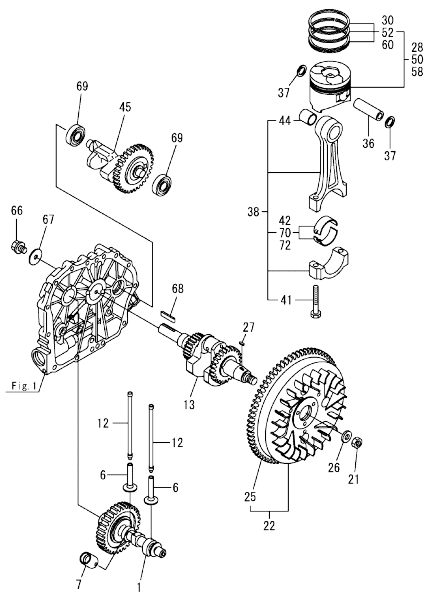


(A)=L70V6-MEJ2
(B)=
(C)=

(D)=
(E)=
(F)=

No.	Lev.	Parts No.	Description	Q'ty						I	R
				(A)	(B)	(C)	(D)	(E)	(F)		
1	1	114210-12511	CLEANER ASSY, AIR	1							
2	2	114210-12010	BODY ASSY, AIR CLNR	1							
6	2	114210-12500	COVER ASSY, AIR CLNR	1							
9	3	114210-12610	LABEL, AIR CLEANER	1							
10	2	114210-12560	NUT, WING	1							
11	2	114210-12590	ELEMENT ASSY	1							
14	2	114210-12600	LOCKING KNOB	1							
15	1	114299-12300	NUT	3							
16	1	114210-12210	GASKET, AIR CLEANER	1							
17	1	26106-060202	BOLT, M6X 20 PLATED	1							
18	1	26226-060302	STUD, M6X 30	3							
19	1	114299-13200	GASKET, MUFFLER	1							
20	1	11421C-13500	MUFFLER ASSY	1							
26	1	26106-060142	BOLT, M6X 14 PLATED	2							
27	1	26216-080182	STUD, M8X 18	2							
28	1	26366-080002	NUT, M8	2							
29	1	114299-13800	EXTENSION ASSY	1							

Fig.4. CRANKSHAFT,PISTON & CAMSHAFT



(A)=L70V6-MEJ2
(B)=
(C)=

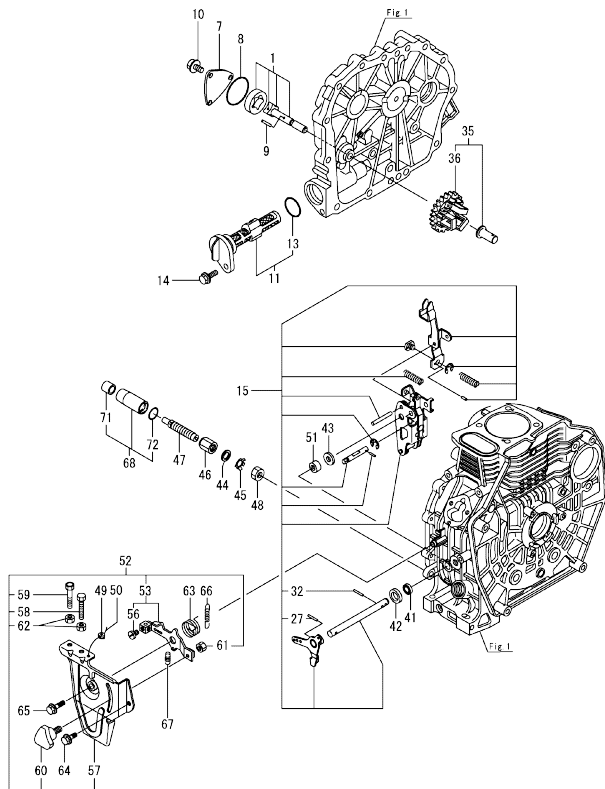
(D)=
(E)=
(F)=

No.	Lev.	Parts No.	Description	Q'ty						I	R
				(A)	(B)	(C)	(D)	(E)	(F)		
1	1	714210-14580	CAMSHAFT ASSY	1							
6	1	114210-14200	TAPPET	2							
7	1	114210-14300	TAPPET ASSY,ROLLER	1							
12	1	114210-14400	ROD ASSY, PUSH	2							
13	1	71421C-21010	CRANKSHAFT ASSY	1							
21	1	114299-21220	NUT	1							
22	1	114399-21590	FLYWHEEL ASSY	1							
25	2	114399-21600	GEAR, RING	1							
26	1	114299-21550	WASHER	1							
27	1	22512-040120	KEY, 4X 12	1							
28	1	714210-22721	PISTON ASSY, D	1							
30	2	714870-22502	RING SET, PISTON	1							
36	1	114399-22300	PIN, PISTON D=21	1							
37	1	22252-000210	RING, 21	2							
38	1	71421C-23010	ROD ASSY, CONNECTING	1							
41	2	118200-23200	BOLT, CONNECTING ROD	2							
42	2	114210-23600	BEARING, CRANK PIN	1							
44	2	114380-23100	BEARING, PISTON PIN	1							
45	1	714210-28510	SHAFT ASSY, BALANCER	1							
50	1	114240-22040	PISTON W/RING .25OS	1							1
52	2	114220-22140	RING SET O.S=0.25	1							1
58	1	114240-22050	PISTON W/RING .50OS	1							2
60	2	114220-22150	RING SET O.S=0.50	1							2
66	1	26106-080202	BOLT, M8X 20 PLATED	1							
67	1	160310-14550	WASHER	1							
68	1	22512-070360	KEY, 7X 36	1							
69	1	114210-28050	BEARING, 6203 C0L	2							
70	1	114210-23610	BEARING,PIN(U.S=0.25	1							3
72	1	114210-23620	BEARING,PIN(U.S=0.50	1							4

Remarks

- (1)Over sized(O.S.=0.25)part.
- (2)Over sized(O.S.=0.50)part.
- (3)Under sized(U.S.=0.25)part.
- (4)Under sized(U.S.=0.50)part.

Fig.5. LUB.OIL PUMP & GOVERNOR



(A)=L70V6-MEJ2
(B)=
(C)=

(D)=
(E)=
(F)=

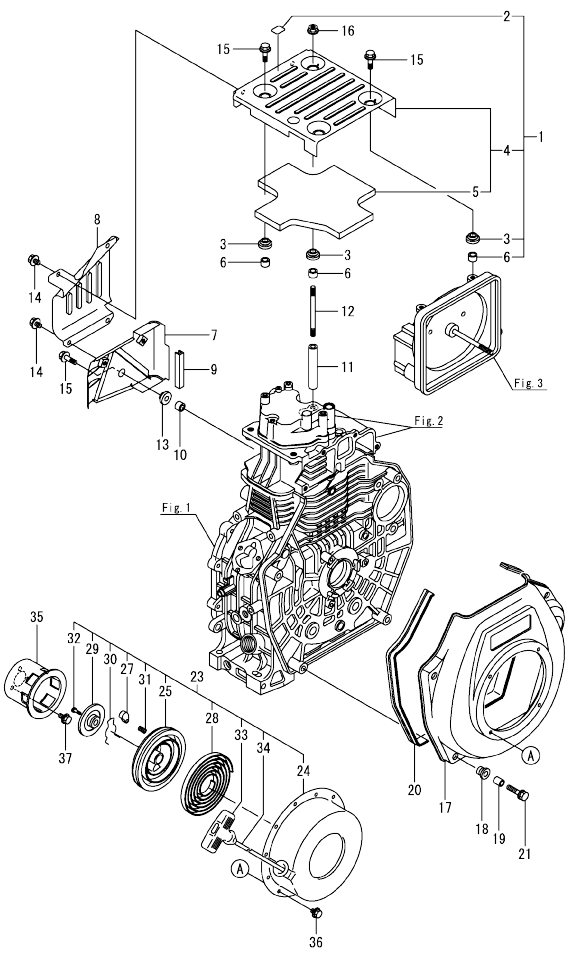
No.	Lev.	Parts No.	Description	Q'ty						I	R
				(A)	(B)	(C)	(D)	(E)	(F)		
1	1	114250-32010	PUMP ASSY, OIL	1							
7	1	114299-32070	COVER	1							
8	1	114299-32570	O-RING	1							
9	1	22312-030160	PIN, PARALLEL M3X16	1							
10	1	26106-060122	BOLT, M6X 12 PLATED	3							
11	1	114299-35110	FILTER ASSY, OIL	1							
13	2	24341-000224	O-RING, 1AS22.4	1							
14	1	26106-060162	BOLT, M6X 16 PLATED	1							
15	1	114210-61550	LEVER ASSY, GOVERNOR	1							1
27	2	22322-030200	PIN, TAPER 3X20	1							
32	2	22322-030200	PIN, TAPER 3X20	1							
35	1	714210-61701	GOVERNOR ASSY	1							
36	2	114210-61290	WEIGHT ASSY, GOVERNOR	1							
41	1	114299-61600	SEAL, OIL	1							
42	1	114770-61610	WASHER, THRUST	1							
43	1	114299-61190	WASHER	1							
44	1	114295-61810	WASHER, PLAIN 14	1							
45	1	114771-61830	PLATE	1							
46	1	114295-61940	NUT	1							
47	1	114771-66600	LIMITER ASSY, FUEL	1							
48	1	114295-66690	NUT, M14X1.25	1							
49	1	114780-61090	TIN	1							
50	1	22451-060000	WIRE, 0.6	1							
51	1	114770-61520	BEARING, NEEDLE	2							
52	1	714210-66100	SPEED CTRL, THAI	1							
53	2	114210-66060	HANDLE ASY, REGULATOR	1							
56	3	26117-050089	BOLT, M5X 8 PLATED	1							
57	2	114210-66100	BRACKET, REGULATOR	1							
58	2	114299-66440	BOLT, ADJUSTING	1							
59	2	114299-67080	BOLT, ADJUSTING	1							
60	2	160725-78350	KNOB	1							
61	2	26347-060002	NUT, M6	1							
62	2	26757-060002	NUT, LOCK M6	2							
63	1	114299-66250	SPRING, RETURN	1							
64	1	26106-060142	BOLT, M6X 14 PLATED	1							
65	1	26106-060202	BOLT, M6X 20 PLATED	1							
66	1	114210-66010	SPRING, REGULATOR	1							
67	1	114299-66200	SPRING, RETURN	1							
68	1	114295-61990	PROTECTOR CMP	1							
71	2	114295-61960	SPACER	1							
72	2	24311-000180	O-RING, 1AP18.0	1							

Remarks
(1) On a guarantee of quality component part shall not be sold.

Fig.6. COOLING & STARTING DEVICE

(A)=L70V6-MEJ2
(B)=
(C)=

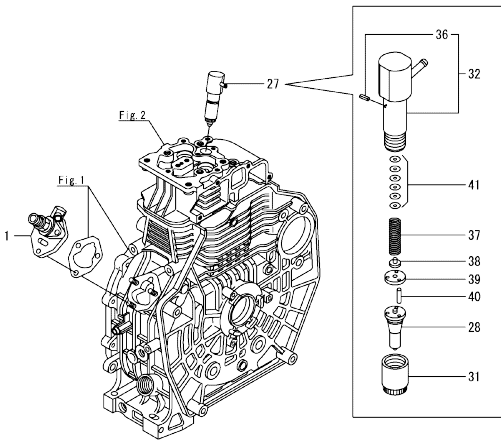
(D)=
(E)=
(F)=



No.	Lev.	Parts No.	Description	Q'ty						I	R
				(A)	(B)	(C)	(D)	(E)	(F)		
1	1	11421C-45200	COVER ASSY	1							
2	2	114210-07200	LABEL, DECOMPRESSION	1							
3	2	183720-55210	GROMMET	4							
4	2	11421C-45300	COVER	1							
5	3	11421C-45310	INSULATOR, NOISE	1							
6	2	114350-45340	COLLAR	4							
7	1	11421C-45260	COVER	1							
8	1	11421C-45270	COVER	1							
9	1	114399-45320	RUBBER, SEAL	1							
10	1	114399-45340	COLLAR	1							
11	1	114210-45350	SPACER, TOP COVER	1							
12	1	114210-45360	STUD BOLT, TOP COVER	1							
13	1	114299-45220	GROMMET	1							
14	1	26106-060082	BOLT, M6X 8 PLATED	4							
15	1	26106-060202	BOLT, M6X 20 PLATED	4							
16	1	26366-060002	NUT, M6	1							
17	1	11421C-45100	CASE, COOLING FAN	1							
18	1	114299-45301	RUBBER, CUSHION	4							
19	1	114299-45310	COLLAR	4							
20	1	114299-45331	SEAL, FAN CASE	1							
21	1	114299-45350	BOLT, FAN CASE	4							
23	1	114399-76251	RECOIL STARTER(D)ASY	1							
24	2	114399-76510	CASE, STARTER	1							
25	2	114399-76521	REEL, RECOIL	1							
27	2	114399-76531	RATCHET	1							
28	2	114399-76540	SPRING, SPIRAL	1							
29	2	114399-76550	COVER	1							
30	2	114399-76560	SPRING	1							
31	2	114399-76570	SPRING, RETURN	1							
32	2	114399-76580	SCREW	1							
33	2	114399-76620	KNOB, STARTER	1							
34	2	114399-76630	ROPE, STARTER	1							
35	1	114399-76590	PULLEY, STARTER	1							
36	1	26106-060082	BOLT, M6X 8 PLATED	4							
37	1	26106-060122	BOLT, M6X 12 PLATED	3							

N:Old $\frac{New}{Old}$ New, Q:Old $\frac{New}{Old}$ New, R:Old $\frac{New}{Old}$ New, S:Old $\frac{New}{Old}$ New, W:Add, Z:Discontinued, F:Interchangeable by set, K:Q'ty Change
Copyright (C) YANMAR CO., LTD. All Rights Reserved.

Fig.7. F.I.PUMP & F.I.VALVE



(A)=L70V6-MEJ2
(B)=
(C)=

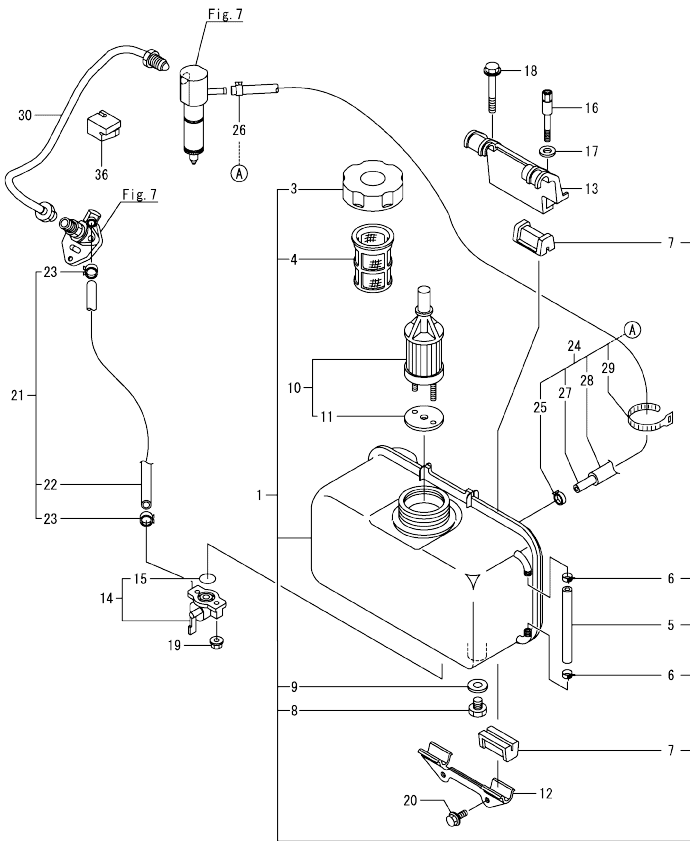
(D)=
(E)=
(F)=

No.	Lev.	Parts No.	Description	Q'ty						I	R
				(A)	(B)	(C)	(D)	(E)	(F)		
1	1	714249-51400	PUMP ASSY, INJECTION	1							1
27	1	714249-53100	VALVE ASSY, INJECTION	1							
28	2	114249-53000	NOZZLE ASSY	1							
31	2	114250-53080	NUT, NOZZLE D16.95	1							
32	2	114339-53100	HOLDER ASSY, NOZZLE	1							
36	3	22351-025005	PIN, SPRING 2.5X 6	1							
37	2	114250-53120	SPRING, NOZZLE	1							
38	2	114250-53130	SEAT, SPRING	1							
39	2	114250-53140	PLATE	1							
40	2	114250-53210	PIN	2							
41	2	114250-53400	SHIM SET	1							

Remarks

(1) On a guarantee of quality component part shall not be sold.

Fig.8. FUEL TANK & FUEL PIPE



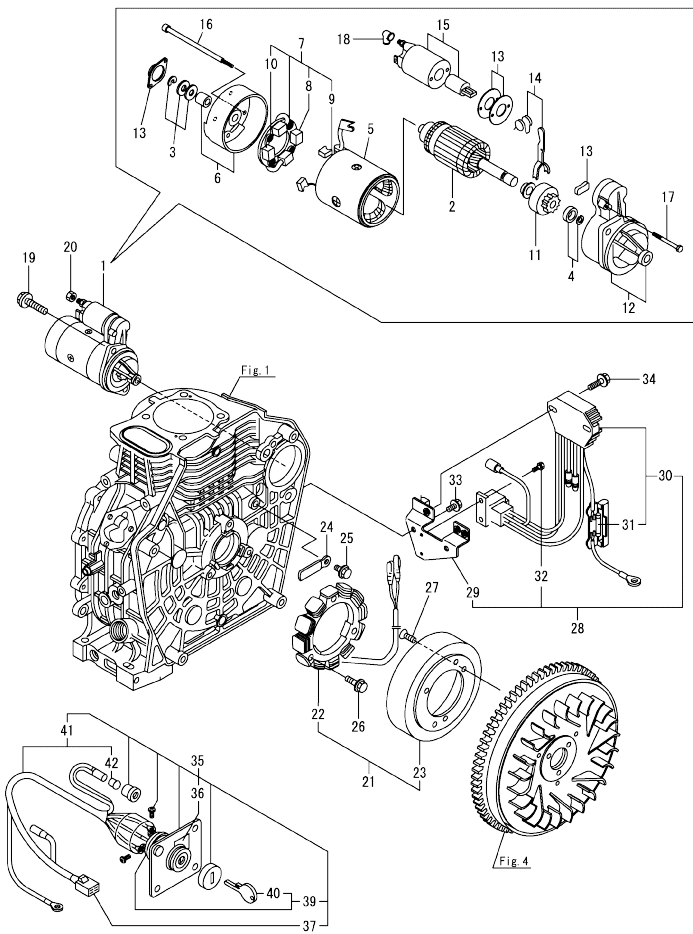
(A)=L70V6-MEJ2
(B)=
(C)=

(D)=
(E)=
(F)=

No.	Lev.	Parts No.	Description	Q'ty						I	R
				(A)	(B)	(C)	(D)	(E)	(F)		
1	1	11421C-55730	TANK ASSY, FUEL	1							
3	2	114299-55040	CAP ASSY, FUEL TANK	1							
4	2	114299-55100	ELEMENT, FUEL FILTER	1							
5	2	114239-55150	GAUGE, OIL LEVEL	1							
6	2	23080-007000	CLAMP, 7	2							
7	2	114250-55201	DAMPER, FUEL TANK	4							
8	2	114299-55080	PLUG, DRAIN	1							
9	2	23414-080000	GASKET, 8X1.0	1							
10	1	114250-55121	FILTER ASSY, FUEL	1							
11	2	114250-55130	GASKET	1							
12	1	114210-55210	STAY, FUEL TANK A	1							
13	1	114210-55230	STAY, FUEL TANK B	1							
14	1	114240-55300	COCK ASSY, FUEL	1							
15	2	24311-000125	O-RING, 1AP12.5	1							
16	1	114210-55810	BOLT, LIFTING	1							
17	1	22117-080000	WASHER, 8	1							
18	1	26106-080452	BOLT, M8X 45 PLATED	1							
19	1	26366-060002	NUT, M6	2							
20	1	26106-060162	BOLT, M6X 16 PLATED	2							
21	1	114780-59010	PIPE ASSY, FUEL L50	1							
22	2	114780-59060	PIPE, FUEL L=50	1							
23	2	23080-014000	CLAMP, 14	2							
24	1	114239-59300	PIPE ASSY, RETURN	1							
24-1	1	114239-59301	PIPE ASSY, FO RETURN	1							N
(A=2019.03)											
25	2	124722-59050	CLAMP, HOSE 9	1							
26	2	124066-59100	CLAMP, HOSE 8	1							
27	2	114650-59060	PIPE, FUEL RETURN	1							
27-1	2	114650-59061	PIPE, FO RETURN	1							N
(A=2019.03)											
28	2	114652-59310	TUBE, PROTECT	1							
29	2	121750-59890	BAND, NYLON	1							
30	1	114210-59800	PIPE ASSY, INJECTION	1							
36	1	114210-59850	SUPPORT, PIPE	1							

N:Old $\frac{New}{Old}$ New, Q:Old $\frac{New}{Old}$ New, R:Old $\frac{New}{Old}$ New, S:Old $\frac{New}{Old}$ New, W:Add, Z:Discontinued, F:Interchangeable by set, K:Q'ty Change
Copyright (C) YANMAR CO., LTD. All Rights Reserved.

Fig.9. STARTING MOTOR & DYNAMO

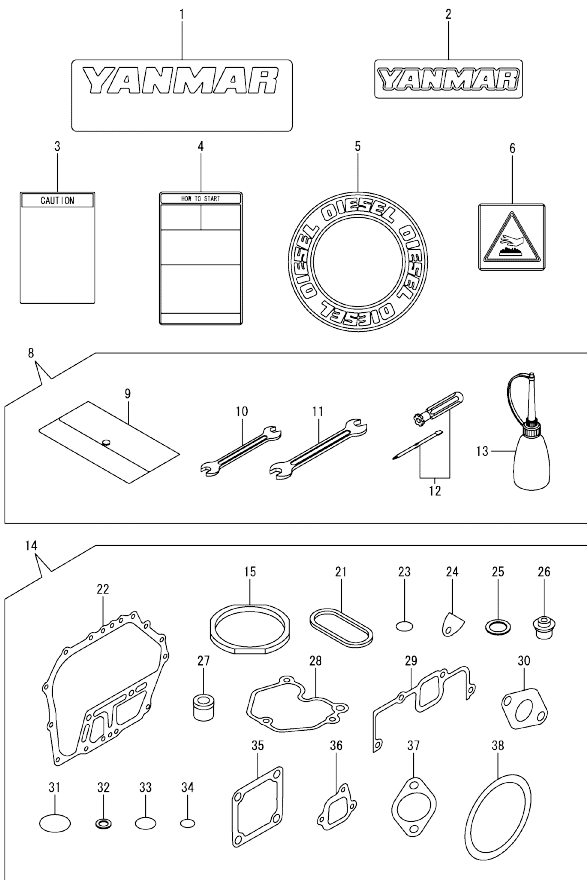


(A)=L70V6-MEJ2
(B)=
(C)=

(D)=
(E)=
(F)=

No.	Lev.	Parts No.	Description	Q'ty						I	R
				(A)	(B)	(C)	(D)	(E)	(F)		
1	1	114382-77011	STARTER(HITACHI 12V	1							
2	2	114381-77110	ARMATURE	1							
3	2	X2114811000	WASHER KIT, THRUST	1							
4	2	X2114715500	STOPPER SET, PINION	1							
5	2	114381-77130	COIL ASSY, FIELD	1							
6	2	114381-77140	COVER, REAR	1							
7	2	114371-77160	HOLDER ASSY, BRUSH	1							
8	3	114371-79040	BRUSH (-)	2							
9	3	114371-79050	BRUSH (+)	1							
10	3	114371-79060	SPRING, BRUSH	4							
11	2	X211485016	PINION ASSY	1							
12	2	114381-77151	HOUSING ASSY, GEAR	1							
13	2	114371-77170	COVER KIT, DUST	1							
14	2	114371-77180	LEVER KIT, SHIFT	1							
15	2	124298-77020	SWITCH, MAGNETIC	1							
16	2	124195-77770	THROUGH BOLT	2							
17	2	114371-79070	BOLT M 6X 37	2							
18	2	X2114274200	COVER, TERMINAL	1							
19	1	26106-100302	BOLT, M10X 30 PLATED	2							
20	1	26716-080002	NUT, M8	1							
21	1	114399-78280	DINAMO ASSY, 15A	1							
22	2	114399-78770	STATOR ASSY	1							
23	2	114399-78780	WHEEL, DYNAMO	1							
24	1	160710-78710	CLAMP, CORD	1							
25	1	26106-060122	BOLT, M6X 12 PLATED	1							
26	1	26106-060202	BOLT, M6X 20 PLATED	3							
27	1	26577-060142	SCREW M 6X 14	3							
28	1	114399-77560	REG. & HARNESS ASSY	1							
29	2	114399-77410	BRACKET, HARNESS	1							
30	2	114399-77720	FUSE (20A),CARTRIDGE	1							
31	3	114399-78000	FUSE(20A	1							
32	2	26023-040102	SCREW, M4X10	2							
33	1	26106-060122	BOLT, M6X 12 PLATED	2							
34	1	26106-060202	BOLT, M6X 20 PLATED	2							
35	1	114351-77500	PANEL ASSY	1							
36	2	105198-07120	LABEL, START SWITCH	1							
37	2	114351-77520	COUPLER	1							
39	2	106100-77620	SWITCH, KEY	1							
40	3	106100-77630	KEY, SWITCH	1							
41	2	114351-77700	HARNESS, WIRE	1							
42	3	29220-083200	BULB (12V/3.4W)	1							

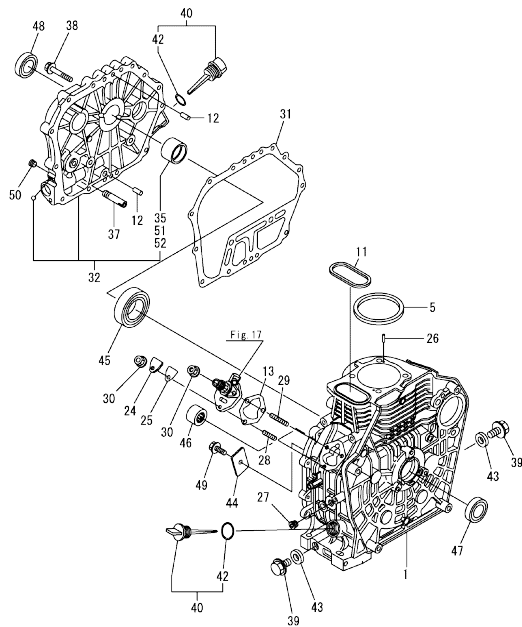
Fig.10. TOOL,LABEL & GASKET SET



No.	Lev.	Parts No.	Description	Q'ty						I	R
				(A)	(B)	(C)	(D)	(E)	(F)		
1	1	114299-07100	LABEL, AIR COOLED	1							
2	1	114299-07110	LABEL, YANMAR	1							
3	1	114149-07120	LABEL, CAUTION	1							
4	1	114250-07250	LABEL, HOW TO START	1							
5	1	114299-07160	LABEL, DIESEL	1							
6	1	114110-07760	LABEL, FUEL OIL	1							
8	1	114299-92590	BOX, TOOL	1							
9	2	114299-92600	BAG, TOOL	1							
10	2	114299-92710	WRENCH	1							
11	2	114299-92720	WRENCH	1							
12	2	114299-92730	DRIVER	1							
13	2	114299-92740	DIPSTICK	1							
14	1	114220-92600	GASKET SET	1							1
15	2	114395-01330	GASKET, HEAD	1							
21	2	114399-01380	O-RING	1							
22	2	114399-01410	GASKET, CRANK CASE	1							
23	2	114299-01950	O-RING, 18	2							
24	2	114250-01841	GASKET	1							
25	2	22190-160002	WASHER, SEAL 16	2							
26	2	114350-11340	SEAL, VALVE STEM	2							
27	2	114771-11461	GASKET, NOZZLE	1							
28	2	114210-11310	GASKET, BONNET	1							
29	2	114210-12210	GASKET, AIR CLEANER	1							
30	2	114299-13200	GASKET, MUFFLER	1							
31	2	114299-32570	O-RING	1							
32	2	23414-080000	GASKET, 8X1.0	1							
33	2	24341-000224	O-RING, 1AS22.4	1							
34	2	24341-000150	O-RING, 1AS15.0	1							
35	2	129100-77510	GASKET, AIR HEATER	3							
36	2	114299-12210	GASKET, AIR CLEANER	2							
37	2	114299-12920	GASKET, AIR CLEANER	1							
38	2	114399-21980	GASKET	1							

Remarks
 (1)Optional part.

Fig.11. CYLINDER BLOCK



(A)=L100V6-MEJ2
(B)=
(C)=

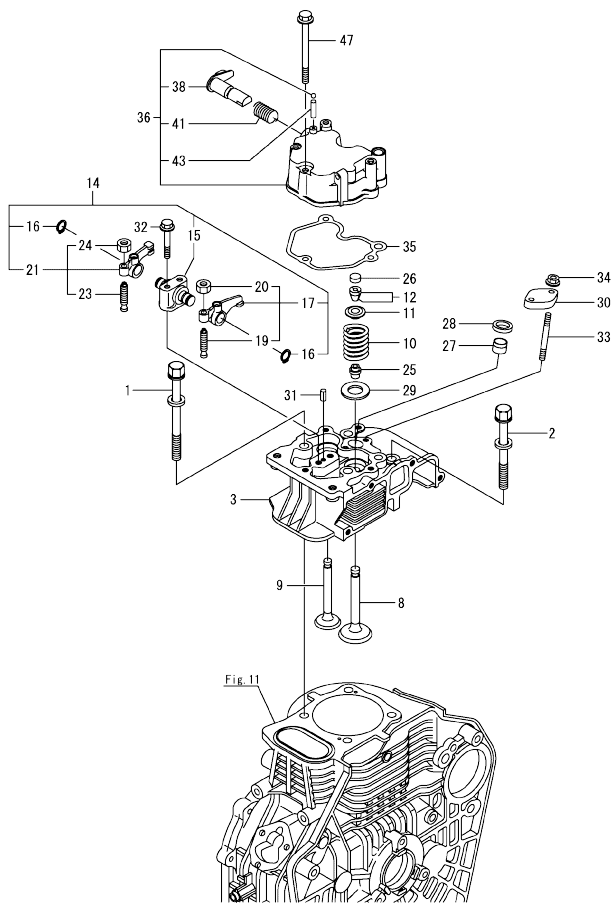
(D)=
(E)=
(F)=

No.	Lev.	Parts No.	Description	Q'ty						I	R
				(A)	(B)	(C)	(D)	(E)	(F)		
1	1	11431C-01010	BLOCK ASSY, CYLINDER	1							
5	1	114695-01331	GASKET, HEAD	1							
11	1	114699-01380	O-RING	1							
12	1	114299-01600	PIN, 8X12	2							
13	1	114299-01800	SHIM SET	1							
24	1	114299-01830	COVER	1							
25	1	114250-01841	GASKET	1							
26	1	22312-040080	PIN, PARALLEL M4X 8	2							
27	1	23875-020000	PLUG, R02	1							
28	1	26226-060182	STUD, M6X 18	1							
29	1	26226-060222	STUD, M6X 22	2							
30	1	26366-060002	NUT, M6	3							
31	1	114699-01410	GASKET, CRANK CASE	1							
32	1	114310-01450	COVER(D, CRANK CASE	1							
35	2	114650-02100	BEARING, MAIN	1							1
37	1	114299-35150	PIPE, OIL INLET	1							
38	1	26106-080352	BOLT, M8X 35 PLATED	16							
39	1	114299-01690	PLUG M16	2							
40	1	114699-01760	CAP ASSY	2							
42	2	114299-01950	O-RING, 18	2							
43	1	22190-160002	WASHER, SEAL 16	2							
44	1	114299-02030	RETAINER, BEARING	1							
45	1	114650-02150	BEARING, HR6308G3C3	1							
46	1	24162-152220	BEARING, 152220	1							
47	1	24423-355008	SEAL, OIL TC355008	1							
48	1	24423-355008	SEAL, OIL TC355008	1							
49	1	26106-080122	BOLT, M8X 12 PLATED	1							
50	1	23876-010000	PLUG, R01	1							
51	1	114650-02200	BEARING, 0.25 US	1							2
52	1	114650-02210	BEARING, 0.50 US	1							3

Remarks

- (1)Repair part.
- (2)Under sized(U.S.=0.25)parts.
- (3)Under sized(U.S.=0.50)parts.

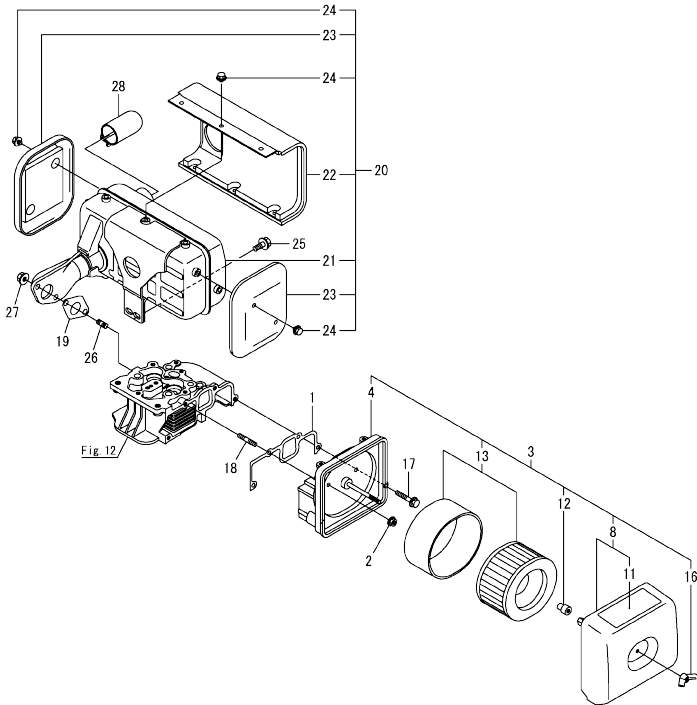
Fig.12. CYLINDER HEAD & BONNET



No.	Lev.	Parts No.	Description	Q'ty						I	R		
				(A)	(B)	(C)	(D)	(E)	(F)				
1	1	114310-01200	BOLT, CYL HEAD A										
2	1	114310-01210	BOLT, CYL HEAD B										
3	1	114310-11050	HEAD ASSY, CYLINDER										
8	1	11431C-11100	VALVE, INTAKE										
9	1	11431C-11110	VALVE, EXHAUST										
10	1	114310-11120	SPRING, VALVE										
11	1	114310-11180	RETAINER, SPRING										
12	1	114310-11930	COTTER ASSY										
14	1	11431C-11250	SUPPORT ASSY, ARM										
15	2	11431C-11260	SUPPORT, ROCKER ARM										
16	2	22243-000150	RING, 15										
17	2	11431C-11650	ARM, ROCKER										
19	3	114250-11240	SCREW, VALVE ADJUST										
20	3	26856-060002	NUT, M6										
21	2	11431C-11660	ARM, ROCKER										
23	3	114250-11240	SCREW, VALVE ADJUST										
24	3	26856-060002	NUT, M6										
25	1	114650-11340	SEAL, VALVE STEM										
26	1	104211-11370	CAP, VALVE										
27	1	114240-11450	PROTECTOR, NOZZLE										
28	1	114240-11550	SEAT, NOZZLE										
29	1	114699-11600	WASHER										
30	1	114210-11901	RETAINER, NOZZLE										
31	1	22351-040008	PIN, SPRING 4.0X 8										
32	1	26106-080502	BOLT, M8X 50 PLATED										
33	1	26226-060552	STUD, M6X 55										
34	1	26366-060002	NUT, M6										
35	1	114310-11310	GASKET, BONNET										
36	1	114310-11950	BONNET ASSY, HEAD										
38	2	114210-03590	DECOMPRESSION ASSY										
41	2	114299-03640	SPRING, DECOMPRESSION										
43	2	22312-030160	PIN, PARALLEL M3X16										
47	1	26106-060652	BOLT, M6X 65 PLATED										

N:Old $\frac{New}{Old}$ New, Q:Old $\frac{New}{Old}$ New, R:Old $\frac{New}{Old}$ New, S:Old $\frac{New}{Old}$ New, W:Add, Z:Discontinued, F:Interchangeable by set, K:Q'ty Change
 Copyright (C) YANMAR CO., LTD. All Rights Reserved.

Fig.13. AIR CLEANER & MUFFLER

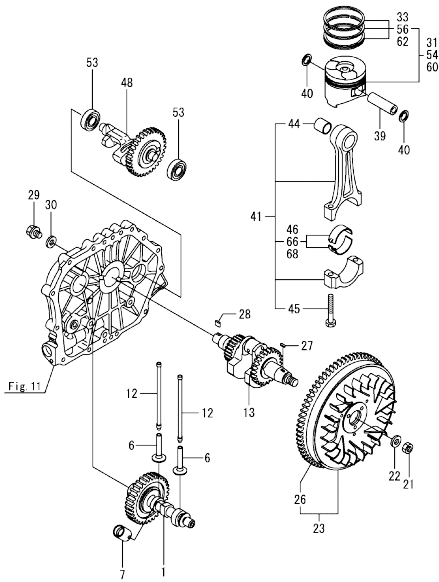


(A)=L100V6-MEJ2
(B)=
(C)=

(D)=
(E)=
(F)=

No.	Lev.	Parts No.	Description	Q'ty					
				(A)	(B)	(C)	(D)	(E)	(F)
1	1	114310-12210	GASKET, AIR CLEANER	1					
2	1	114299-12300	NUT	3					
3	1	114310-12511	CLEANER ASSY, AIR	1					
4	2	114310-12010	BODY ASSY, AIR CLNR	1					
8	2	114210-12500	COVER ASSY, AIR CLNR	1					
11	3	114210-12610	LABEL, AIR CLEANER	1					
12	2	114210-12560	NUT, WING	1					
13	2	114210-12590	ELEMENT ASSY	1					
16	2	114210-12600	LOCKING KNOB	1					
17	1	26106-060402	BOLT, M6X 40 PLATED	1					
18	1	26226-060352	STUD, M6X 35	3					
19	1	114310-13200	GASKET, MUFFLER	1					
20	1	11431C-13550	MUFFLER ASSY	1					
21	2	11431C-13560	MUFFLER	1					
22	2	11431C-13700	COVER	1					
23	2	11431C-13710	COVER	2					
24	2	11431C-13720	BOLT, M6	10					
25	1	26106-080202	BOLT, M8X 20 PLATED	2					
26	1	26216-080182	STUD, M8X 18	2					
27	1	26366-080002	NUT, M8	2					
28	1	114699-13800	PIPE	1					

Fig.14. CRANKSHAFT, PISTON & CAMSHAFT



(A)=L100V6-MEJ2
(B)=
(C)=

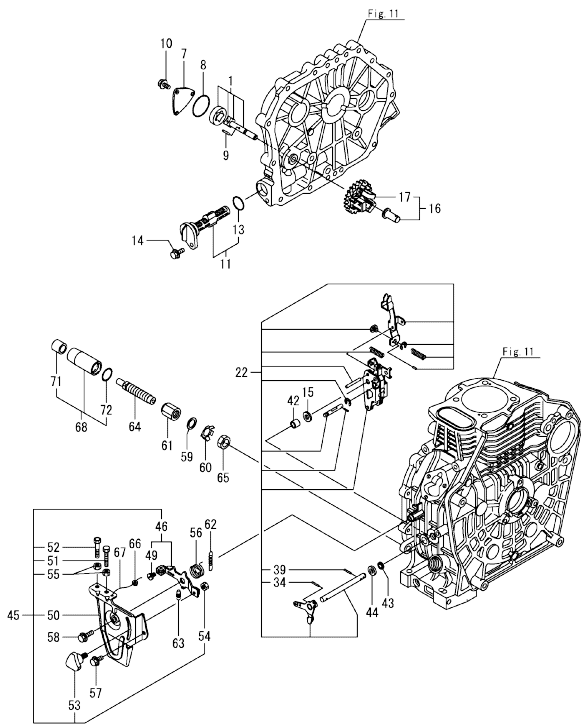
(D)=
(E)=
(F)=

No.	Lev.	Parts No.	Description	Q'ty						I	R
				(A)	(B)	(C)	(D)	(E)	(F)		
1	1	714310-14580	CAMSHAFT ASSY	1							
6	1	114310-14200	TAPPET	2							
7	1	114210-14300	TAPPET ASSY,ROLLER	1							
12	1	114310-14400	ROD ASSY, PUSH	2							
13	1	11431C-21710	CRANKSHAFT ASSY,D	1							
21	1	114699-21220	NUT	1							
22	1	114699-21550	WASHER	1							
23	1	114699-21600	FLYWHEEL ASSY, DE	1							
26	2	114699-21630	RING, GEAR	1							
27	1	22512-050140	KEY, 5X 14	1							
28	1	22512-070360	KEY, 7X 36	1							
29	1	26106-080202	BOLT, M8X 20 PLATED	1							
30	1	160310-14550	WASHER	1							
31	1	114310-22060	PISTON W/RING, D	1							
33	2	114320-22160	RING SET, PISTON	1							
39	1	114699-22300	PIN, PISTON D=23	1							
40	1	114310-22500	SEEGER RING, J23	2							
41	1	71431C-23010	ROD ASSY, CONNECTING	1							
44	2	124060-23100	BEARING, PISTON PIN	1							
45	2	119810-23200	BOLT, CONNECTING ROD	2							
46	2	714650-23600	BEARING, CRANK PIN	1							
48	1	714310-28510	SHAFT ASSY, BALANCER	1							
53	1	24101-063040	BEARING, BALL 6304C3	2							
54	1	114310-22040	PISTON W/RING,0.25OS	1							1
56	2	114320-22140	RING, PISTON 0.25 OS	1							1
60	1	114310-22050	PISTON W/RING,0.50OS	1							2
62	2	114320-22150	RING, PISTON 0.50 OS	1							2
66	1	714650-23610	BEARING ASSY, 0.25	1							3
68	1	714650-23620	BEARING, 0.50 US	1							4

Remarks

- (1)Over size (O.S.=0.25) part.
- (2)Over size (O.S.=0.50) part.
- (3)Under size (U.S.=0.25) part.
- (4)Under size (U.S.=0.50) part.

Fig.15. LUB.OIL PUMP & GOVERNOR



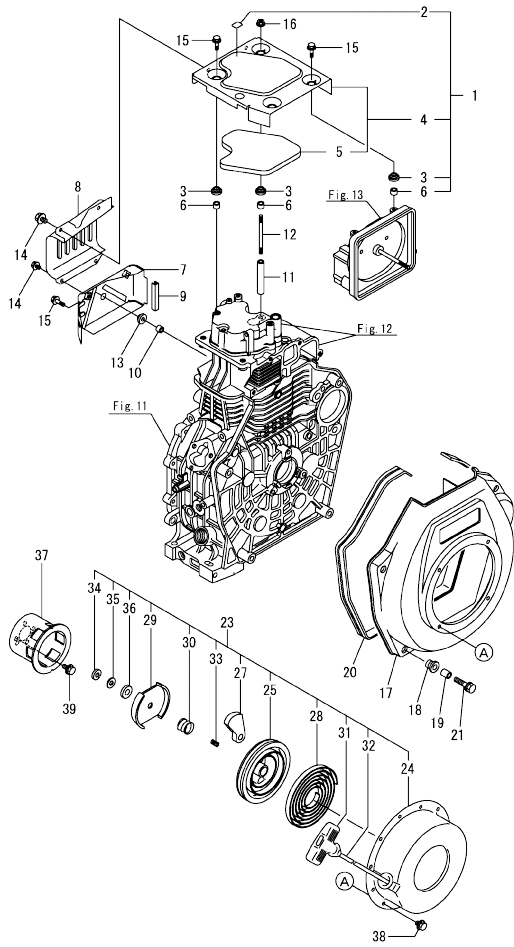
(A)=L100V6-MEJ2
(B)=
(C)=

(D)=
(E)=
(F)=

No.	Lev.	Parts No.	Description	Q'ty						I	R
				(A)	(B)	(C)	(D)	(E)	(F)		
1	1	114650-32010	PUMP ASSY, OIL	1							
7	1	114299-32070	COVER	1							
8	1	114299-32570	O-RING	1							
9	1	22312-030160	PIN, PARALLEL M3X16	1							
10	1	26106-060122	BOLT, M6X 12 PLATED	3							
11	1	114299-35110	FILTER ASSY, OIL	1							
13	2	24341-000224	O-RING, 1AS22.4	1							
14	1	26106-060162	BOLT, M6X 16 PLATED	1							
15	1	114299-61190	WASHER	1							
16	1	714210-61701	GOVERNOR ASSY	1							
17	2	114210-61290	WEIGHT ASSY, GOVERNOR	1							
22	1	114310-61500	LEVER ASSY, GOVERNOR	1							1
34	3	22322-030200	PIN, TAPER 3X20	1							
39	2	22322-030200	PIN, TAPER 3X20	1							
42	1	114770-61520	BEARING, NEEDLE	2							
43	1	114299-61600	SEAL, OIL	1							
44	1	114770-61610	WASHER, THRUST	1							
45	1	714210-66100	SPEED CTRL, THAI	1							
46	2	114210-66060	HANDLE ASY, REGULATOR	1							
49	3	26117-050089	BOLT, M5X 8 PLATED	1							
50	2	114210-66100	BRACKET, REGULATOR	1							
51	2	114299-66440	BOLT, ADJUSTING	1							
52	2	114299-67080	BOLT, ADJUSTING	1							
53	2	160725-78350	KNOB	1							
54	2	26347-060002	NUT, M6	1							
55	2	26757-060002	NUT, LOCK M6	2							
56	1	114299-66250	SPRING, RETURN	1							
57	1	26106-060142	BOLT, M6X 14 PLATED	1							
58	1	26106-060202	BOLT, M6X 20 PLATED	1							
59	1	114295-61810	WASHER, PLAIN 14	1							
60	1	114771-61830	PLATE	1							
61	1	114295-61940	NUT	1							
62	1	114310-66010	SPRING, REGULATOR	1							
63	1	114299-66200	SPRING, RETURN	1							
64	1	114771-66600	LIMITER ASSY, FUEL	1							
65	1	114295-66690	NUT, M14X1.25	1							
66	1	114780-61090	TIN	1							
67	1	22451-060000	WIRE, 0.6	1							
68	1	114295-61990	PROTECTOR CMP	1							
71	2	114295-61960	SPACER	1							
72	2	24311-000180	O-RING, 1AP18.0	1							

Remarks
(1) On a guarantee of quality component parts shall not be sold.

Fig.16. COOLING & STARTING DEVICE

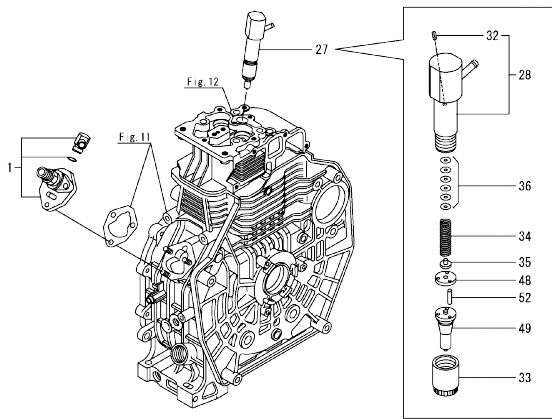


(A)=L100V6-MEJ2
(B)=
(C)=

(D)=
(E)=
(F)=

No.	Lev.	Parts No.	Description	Q'ty						I	R
				(A)	(B)	(C)	(D)	(E)	(F)		
1	1	11431C-45200	COVER ASSY	1							
2	2	114210-07200	LABEL, DECOMPRESSION	1							
3	2	183720-55210	GROMMET	4							
4	2	11431C-45300	COVER	1							
5	3	11431C-45310	INSULATOR, NOISE	1							
6	2	114350-45340	COLLAR	4							
7	1	11431C-45260	COVER	1							
8	1	11431C-45270	COVER	1							
9	1	114399-45320	RUBBER, SEAL	1							
10	1	114399-45340	COLLAR	1							
11	1	114310-45350	SPACER, TOP COVER	1							
12	1	114310-45360	STUD BOLT, TOP COVER	1							
13	1	114299-45220	GROMMET	1							
14	1	26106-060082	BOLT, M6X 8 PLATED	4							
15	1	26106-060202	BOLT, M6X 20 PLATED	4							
16	1	26366-060002	NUT, M6	1							
17	1	11431C-45100	CASE, COOLING FAN	1							
18	1	114299-45301	RUBBER, CUSHION	4							
19	1	114299-45310	COLLAR	4							
20	1	114699-45331	SEAL, FAN CASE	1							
21	1	114299-45350	BOLT, FAN CASE	4							
23	1	114699-76251	RECOIL ASSY	1							
24	2	114699-76510	CASE, STARTER	1							
25	2	114699-76521	REEL, RECOIL	1							
27	2	114699-76531	RATCHET	2							
28	2	114399-76540	SPRING, SPIRAL	1							
29	2	114699-76551	GUIDE, RATCHET	1							
30	2	114699-76560	SPRING, FRICTION	1							
31	2	114399-76620	KNOB, STARTER	1							
32	2	114699-76630	ROPE, STARTER	1							
33	2	114699-76650	SPRING, RETURN	1							
34	2	114699-76660	CIRCLIP	1							
35	2	114699-76670	WASHER	1							
36	2	114699-76680	WASHER	1							
37	1	114699-76592	PULLEY, STARTER	1							
38	1	26106-060082	BOLT, M6X 8 PLATED	4							
39	1	26106-060122	BOLT, M6X 12 PLATED	3							

Fig.17. F.I.PUMP & F.I.VALVE



(A)=L100V6-MEJ2
(B)=
(C)=

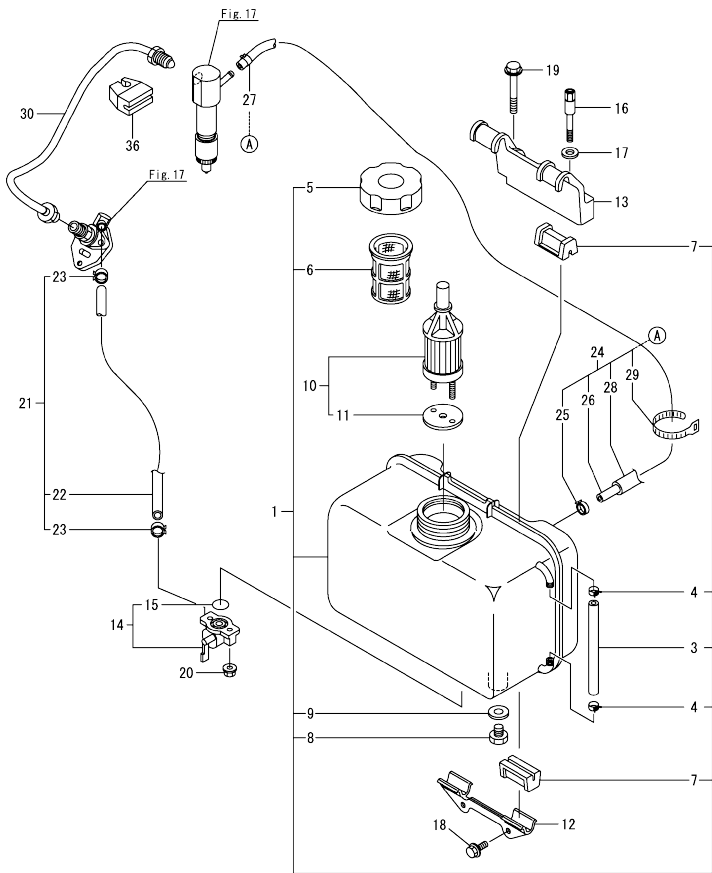
(D)=
(E)=
(F)=

No.	Lev.	Parts No.	Description	Q'ty						I	R
				(A)	(B)	(C)	(D)	(E)	(F)		
1	1	714349-51400	PUMP ASSY, INJECTION	1							1
27	1	714349-53100	VALVE ASSY, INJECTION	1							
28	2	114339-53100	HOLDER ASSY, NOZZLE	1							
32	3	22351-025005	PIN, SPRING 2.5X 6	1							
33	2	114250-53080	NUT, NOZZLE D16.95	1							
34	2	114250-53120	SPRING, NOZZLE	1							
35	2	114250-53130	SEAT, SPRING	1							
36	2	114250-53400	SHIM SET	1							
48	2	114250-53140	PLATE	1							
49	2	114349-53000	NOZZLE ASSY	1							
52	2	114250-53210	PIN	2							

Remarks
(1) On a guarantee of quality component parts shall not be sold.

N:Old $\frac{New}{Old}$ New, Q:Old $\frac{New}{Old}$ New, R:Old $\frac{New}{Old}$ New, S:Old $\frac{New}{Old}$ New, W:Add, Z:Discontinued, F:Interchangeable by set, K:Q'ty Change
Copyright (C) YANMAR CO., LTD. All Rights Reserved.

Fig.18. FUEL TANK & FUEL PIPE

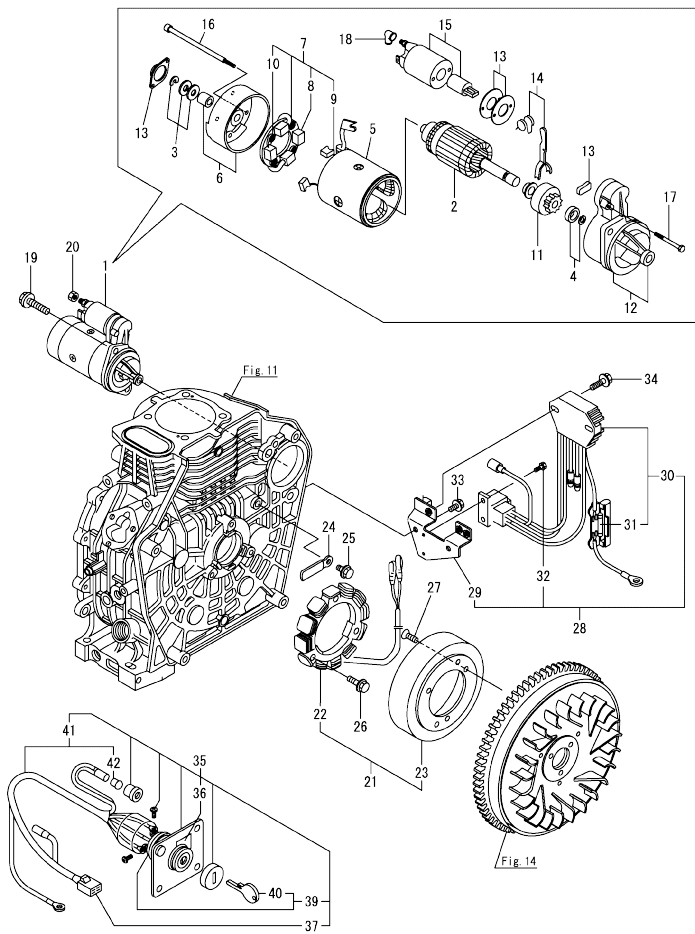


(A)=L100V6-MEJ2
(B)=
(C)=

(D)=
(E)=
(F)=

No.	Lev.	Parts No.	Description	Q'ty						I	R
				(A)	(B)	(C)	(D)	(E)	(F)		
1	1	11431C-55730	TANK ASSY, FUEL	1							
3	2	114339-55150	GAUGE, LEVEL	1							
4	2	23080-007000	CLAMP, 7	2							
5	2	114299-55040	CAP ASSY, FUEL TANK	1							
6	2	114299-55100	ELEMENT, FUEL FILTER	1							
7	2	114250-55201	DAMPER, FUEL TANK	4							
8	2	114299-55080	PLUG, DRAIN	1							
9	2	23414-080000	GASKET, 8X1.0	1							
10	1	114250-55121	FILTER ASSY, FUEL	1							
11	2	114250-55130	GASKET	1							
12	1	114210-55210	STAY, FUEL TANK A	1							
13	1	114310-55230	STAY, FUEL TANK B	1							
14	1	114240-55300	COCK ASSY, FUEL	1							
15	2	24311-000125	O-RING, 1AP12.5	1							
16	1	114210-55810	BOLT, LIFTING	1							
17	1	22117-080000	WASHER, 8	1							
18	1	26106-060162	BOLT, M6X 16 PLATED	2							
19	1	26106-080452	BOLT, M8X 45 PLATED	1							
20	1	26366-060002	NUT, M6	2							
21	1	114780-59010	PIPE ASSY, FUEL L50	1							
22	2	114780-59060	PIPE, FUEL L=50	1							
23	2	23080-014000	CLAMP, 14	2							
24	1	114339-59300	PIPE ASSY, RETURN	1							
24-1	1	114339-59301	PIPE ASSY, FO RETURN	1							N
(A=*2019.03)											
25	2	124722-59050	CLAMP, HOSE 9	1							
26	2	114310-59060	PIPE, FUEL RETURN	1							
26-1	2	114310-59061	PIPE, FO RETURN	1							N
(A=*2019.03)											
27	2	124066-59100	CLAMP, HOSE 8	1							
28	2	114310-59310	HOSE, PROTECTION	1							
29	2	121750-59890	BAND, NYLON	1							
30	1	114310-59800	PIPE ASSY, INJECTION	1							
36	1	114699-59850	SUPPORT, PIPE	1							

Fig.19. STARTING MOTOR & DYNAMO



(A)=L100V6-MEJ2
(B)=
(C)=

(D)=
(E)=
(F)=

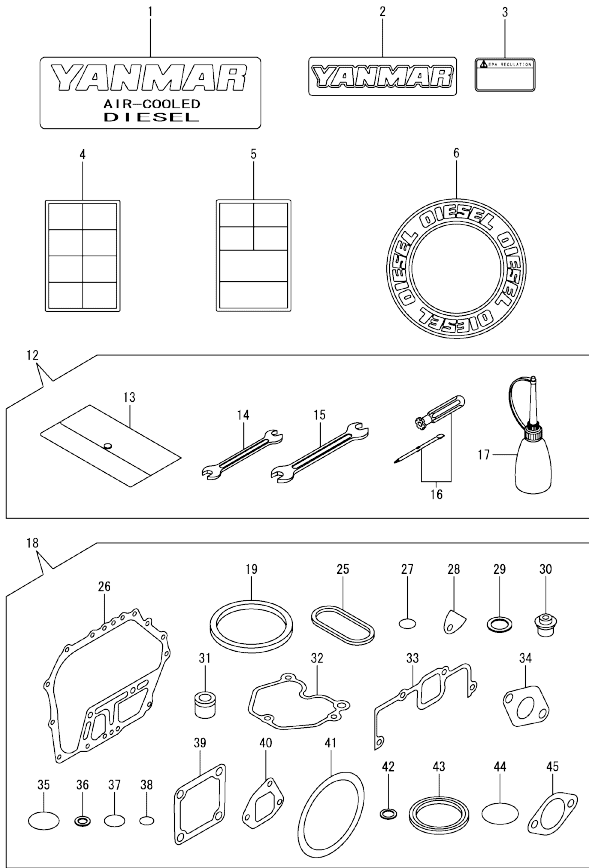
No.	Lev.	Parts No.	Description	Q'ty						I	R
				(A)	(B)	(C)	(D)	(E)	(F)		
1	1	114382-77011	STARTER(HITACHI 12V	1							
2	2	114381-77110	ARMATURE	1							
3	2	X2114811000	WASHER KIT, THRUST	1							
4	2	X2114715500	STOPPER SET, PINION	1							
5	2	114381-77130	COIL ASSY, FIELD	1							
6	2	114381-77140	COVER, REAR	1							
7	2	114371-77160	HOLDER ASSY, BRUSH	1							
8	3	114371-79040	BRUSH (-)	2							
9	3	114371-79050	BRUSH (+)	1							
10	3	114371-79060	SPRING, BRUSH	4							
11	2	X211485016	PINION ASSY	1							
12	2	114381-77151	HOUSING ASSY, GEAR	1							
13	2	114371-77170	COVER KIT, DUST	1							
14	2	114371-77180	LEVER KIT, SHIFT	1							
15	2	124298-77020	SWITCH, MAGNETIC	1							
16	2	124195-77770	THROUGH BOLT	2							
17	2	114371-79070	BOLT M 6X 37	2							
18	2	X2114274200	COVER, TERMINAL	1							
19	1	26106-100302	BOLT, M10X 30 PLATED	2							
20	1	26716-080002	NUT, M8	1							
21	1	114399-78280	DINAMO ASSY, 15A	1							
22	2	114399-78770	STATOR ASSY	1							
23	2	114399-78780	WHEEL, DYNAMO	1							
24	1	160710-78710	CLAMP, CORD	1							
25	1	26106-060122	BOLT, M6X 12 PLATED	1							
26	1	26106-060202	BOLT, M6X 20 PLATED	3							
27	1	26577-060142	SCREW M 6X 14	3							
28	1	114399-77560	REG. & HARNESS ASSY	1							
29	2	114399-77410	BRACKET, HARNESS	1							
30	2	114399-77720	FUSE (20A), CARTRIDGE	1							
31	3	114399-78000	FUSE(20A	1							
32	2	26023-040102	SCREW, M4X10	2							
33	1	26106-060122	BOLT, M6X 12 PLATED	2							
34	1	26106-060202	BOLT, M6X 20 PLATED	2							
35	1	114351-77500	PANEL ASSY	1							
36	2	105198-07120	LABEL, START SWITCH	1							
37	2	114351-77520	COUPLER	1							
39	2	106100-77620	SWITCH, KEY	1							
40	3	106100-77630	KEY, SWITCH	1							
41	2	114351-77700	HARNESS, WIRE	1							
42	3	29220-083200	BULB (12V/3.4W)	1							

N:Old $\frac{New}{Old}$ New, Q:Old $\frac{New}{Old}$ New, R:Old $\frac{New}{Old}$ New, S:Old $\frac{New}{Old}$ New, W:Add, Z:Discontinued, F:Interchangeable by set, K:Q'ty Change
Copyright (C) YANMAR CO., LTD. All Rights Reserved.

Fig.20. TOOL,LABEL & GASKET SET

(A)=L100V6-MEJ2
(B)=
(C)=

(D)=
(E)=
(F)=



No.	Lev.	Parts No.	Description	Qty						I	R	
				(A)	(B)	(C)	(D)	(E)	(F)			
1	1	114299-07100	LABEL, AIR COOLED	1								
2	1	114299-07110	LABEL, YANMAR	1								
3	1	114110-07760	LABEL, FUEL OIL	1								
4	1	114149-07120	LABEL, CAUTION	1								
5	1	114250-07250	LABEL, HOW TO START	1								
6	1	114299-07160	LABEL, DIESEL	1								
12	1	114299-92590	BOX, TOOL	1								
13	2	114299-92600	BAG, TOOL	1								
14	2	114299-92710	WRENCH	1								
15	2	114299-92720	WRENCH	1								
16	2	114299-92730	DRIVER	1								
17	2	114299-92740	DIPSTICK	1								
18	1	114320-92600	GASKET SET	1								1
19	2	114695-01330	GASKET, HEAD	1								
25	2	114699-01380	O-RING	1								
26	2	114699-01410	GASKET, CRANK CASE	1								
27	2	114299-01950	O-RING, 18	2								
28	2	114250-01841	GASKET	1								
29	2	22190-160002	WASHER, SEAL 16	2								
30	2	114650-11340	SEAL, VALVE STEM	2								
31	2	114771-11461	GASKET, NOZZLE	1								
32	2	114310-11310	GASKET, BONNET	1								
33	2	114310-12210	GASKET, AIR CLEANER	1								
34	2	114310-13200	GASKET, MUFFLER	1								
35	2	114299-32570	O-RING	1								
36	2	23414-080000	GASKET, 8X1.0	1								
37	2	24341-000224	O-RING, 1AS22.4	1								
38	2	24341-000150	O-RING, 1AS15.0	2								
39	2	129100-77510	GASKET, AIR HEATER	3								
40	2	114699-12210	GASKET, AIR CLEANER	2								
41	2	114399-21980	GASKET	1								
42	2	23414-120000	GASKET, 12X1.0	1								
43	2	160393-55050	GASKET	4								
44	2	24311-000400	O-RING, 1AP40.0	1								
45	2	183671-13211	GASKET, PIPE	1								

Remarks

(1)Optional parts.

Parts No. Index

Parts No.	Fig. No.	Ref. No.
104211-11370	12	26
105010-11490	2	28
105198-07120	9	36
	19	36
106100-77620	9	39
	19	39
106100-77630	9	40
	19	40
114110-07760	10	6
	20	3
114149-07120	10	3
	20	4
114210-01010	1	1
114210-01200	2	1
114210-01210	2	2
114210-01460	1	32
114210-03590	2	38
	12	38
114210-07200	6	2
	16	2
114210-11120	2	10
114210-11180	2	11
114210-11310	2	35
	10	28
114210-11901	2	30
	12	30
114210-11930	2	12
114210-11950	2	36
114210-12010	3	2
114210-12210	3	16
	10	29
114210-12500	3	6
	13	8
114210-12511	3	1
114210-12560	3	10
	13	12
114210-12590	3	11
	13	13
114210-12600	3	14
	13	16
114210-12610	3	9
	13	11
114210-14200	4	6
114210-14300	4	7
	14	7
114210-14400	4	12
114210-23600	4	42
114210-23610	4	70
114210-23620	4	72
114210-28050	4	69

Parts No.	Fig. No.	Ref. No.
114210-45350	6	11
114210-45360	6	12
114210-55210	8	12
	18	12
114210-55230	8	13
114210-55810	8	16
	18	16
114210-59800	8	30
114210-59850	8	36
114210-61290	5	36
	15	17
114210-61550	5	15
114210-66010	5	66
114210-66060	5	53
	15	46
114210-66100	5	57
	15	50
114211-11020	2	3
11421C-11100	2	8
11421C-11110	2	9
11421C-11250	2	14
11421C-11260	2	15
11421C-11650	2	17
11421C-11660	2	21
11421C-13500	3	20
11421C-45100	6	17
11421C-45200	6	1
11421C-45260	6	7
11421C-45270	6	8
11421C-45300	6	4
11421C-45310	6	5
11421C-55730	8	1
114220-22140	4	52
114220-22150	4	60
114220-92600	10	14
114239-55150	8	5
114239-59300	8	24
114239-59301	8	24 -1
114240-11450	2	26
	12	27
114240-11550	2	27
	12	28
114240-22040	4	50
114240-22050	4	58
114240-55300	8	14
	18	14
114249-53000	7	28
114250-01841	1	24
	10	24
	11	25

Parts No.	Fig. No.	Ref. No.
114250-01841	20	28
114250-07250	10	4
	20	5
114250-11240	2	19
		23
	12	19
		23
114250-32010	5	1
114250-53080	7	31
	17	33
114250-53120	7	37
	17	34
114250-53130	7	38
	17	35
114250-53140	7	39
	17	48
114250-53210	7	40
	17	52
114250-53400	7	41
	17	36
114250-55121	8	10
	18	10
114250-55130	8	11
	18	11
114250-55201	8	7
	18	7
114295-61810	5	44
	15	59
114295-61940	5	46
	15	61
114295-61960	5	71
	15	71
114295-61990	5	68
	15	68
114295-66690	5	48
	15	65
114299-01600	1	27
	11	12
114299-01690	1	39
	11	39
114299-01800	1	12
	11	13
114299-01830	1	23
	11	24
114299-01950	1	42
	10	23
	11	42
	20	27
114299-02030	1	44
	11	44

Parts No.	Fig. No.	Ref. No.
114299-03640	2	41
	12	41
114299-07100	10	1
	20	1
114299-07110	10	2
	20	2
114299-07160	10	5
	20	6
114299-11600	2	29
114299-12210	10	36
114299-12300	3	15
	13	2
114299-12920	10	37
114299-13200	3	19
	10	30
114299-13800	3	29
114299-21220	4	21
114299-21550	4	26
114299-32070	5	7
	15	7
114299-32570	5	8
	10	31
	15	8
	20	35
114299-35110	5	11
	15	11
114299-35150	1	37
	11	37
114299-45220	6	13
	16	13
114299-45301	6	18
	16	18
114299-45310	6	19
	16	19
114299-45331	6	20
114299-45350	6	21
	16	21
114299-55040	8	3
	18	5
114299-55080	8	8
	18	8
114299-55100	8	4
	18	6
114299-61190	5	43
	15	15
114299-61600	5	41
	15	43
114299-66200	5	67
	15	63
114299-66250	5	63

Parts No. Index

Parts No.	Fig. No.	Ref. No.
114299-66250	15	56
114299-66440	5	58
	15	51
114299-67080	5	59
	15	52
114299-92590	10	8
	20	12
114299-92600	10	9
	20	13
114299-92710	10	10
	20	14
114299-92720	10	11
	20	15
114299-92730	10	12
	20	16
114299-92740	10	13
	20	17
114310-01200	12	1
114310-01210	12	2
114310-01450	11	32
114310-11050	12	3
114310-11120	12	10
114310-11180	12	11
114310-11310	12	35
	20	32
	12	12
114310-11950	12	36
114310-12010	13	4
114310-12210	13	1
	20	33
114310-12511	13	3
114310-13200	13	19
	20	34
114310-14200	14	6
114310-14400	14	12
114310-22040	14	54
114310-22050	14	60
114310-22060	14	31
114310-22500	14	40
114310-45350	16	11
114310-45360	16	12
114310-55230	18	13
114310-59060	18	26
114310-59061	18	26
114310-59310	18	28
114310-59800	18	30
114310-61500	15	22
114310-66010	15	62
11431C-01010	11	1
11431C-11100	12	8

Parts No.	Fig. No.	Ref. No.
11431C-11110	12	9
11431C-11250	12	14
11431C-11260	12	15
11431C-11650	12	17
11431C-11660	12	21
11431C-13550	13	20
11431C-13560	13	21
11431C-13700	13	22
11431C-13710	13	23
11431C-13720	13	24
11431C-21710	14	13
11431C-45100	16	17
11431C-45200	16	1
11431C-45260	16	7
11431C-45270	16	8
11431C-45300	16	4
11431C-45310	16	5
11431C-55730	18	1
114320-22140	14	56
114320-22150	14	62
114320-22160	14	33
114320-92600	20	18
114339-53100	7	32
	17	28
114339-55150	18	3
114339-59300	18	24
114339-59301	18	24
114349-53000	17	49
114350-02100	1	35
114350-02113	1	45
114350-02200	1	50
114350-02210	1	51
114350-11340	2	25
	10	26
114350-45340	6	6
	16	6
114351-77500	9	35
	19	35
114351-77520	9	37
	19	37
114351-77700	9	41
	19	41
114362-77011	9	1
	19	1
114371-77160	9	7
	19	7
114371-77170	9	13
	19	13
114371-77180	9	14
	19	14

Parts No.	Fig. No.	Ref. No.
114371-79040	9	8
	19	8
114371-79050	9	9
	19	9
114371-79060	9	10
	19	10
114371-79070	9	17
	19	17
114380-23100	4	44
114381-77110	9	2
	19	2
114381-77130	9	5
	19	5
114381-77140	9	6
	19	6
114381-77151	9	12
	19	12
114395-01330	10	15
114395-01331	1	5
114399-01380	1	11
	10	21
114399-01410	1	31
	10	22
114399-21590	4	22
114399-21600	4	25
114399-21980	10	38
	20	41
114399-22300	4	36
114399-45320	6	9
	16	9
114399-45340	6	10
	16	10
114399-76251	6	23
114399-76510	6	24
114399-76521	6	25
114399-76531	6	27
114399-76540	6	28
	16	28
114399-76550	6	29
114399-76560	6	30
114399-76570	6	31
114399-76580	6	32
114399-76590	6	35
114399-76620	6	33
	16	31
114399-76630	6	34
114399-77410	9	29
	19	29
114399-77560	9	28
	19	28

Parts No.	Fig. No.	Ref. No.
114399-77720	9	30
	19	30
114399-78000	9	31
	19	31
114399-78280	9	21
	19	21
114399-78770	9	22
	19	22
114399-78780	9	23
	19	23
114650-02100	11	35
114650-02150	11	45
114650-02200	11	51
114650-02210	11	52
114650-11340	12	25
	20	30
114650-32010	15	1
114650-59060	8	27
114650-59061	8	27
114652-59310	8	28
114695-01330	20	19
114695-01331	11	5
114699-01380	11	11
	20	25
114699-01410	11	31
	20	26
114699-01760	1	40
	11	40
114699-11600	12	29
114699-12210	20	40
114699-13800	13	28
114699-21220	14	21
114699-21550	14	22
114699-21600	14	23
114699-21630	14	26
114699-22300	14	39
114699-45331	16	20
114699-59850	18	36
114699-76251	16	23
114699-76510	16	24
114699-76521	16	25
114699-76531	16	27
114699-76551	16	29
114699-76560	16	30
114699-76592	16	37
114699-76630	16	32
114699-76650	16	33
114699-76660	16	34
114699-76670	16	35
114699-76680	16	36

Parts No. Index

Parts No.	Fig. No.	Ref. No.
114770-61520	5	51
	15	42
114770-61610	5	42
	15	44
114771-11461	10	27
	20	31
114771-61830	5	45
	15	60
114771-66600	5	47
	15	64
114780-59010	8	21
	18	21
114780-59060	8	22
	18	22
114780-61090	5	49
	15	66
118200-23200	4	41
119810-23200	14	45
121750-59890	8	29
	18	29
124060-23100	14	44
124066-59100	8	26
	18	27
124195-77770	9	16
	19	16
124298-77020	9	15
	19	15
124722-59050	8	25
	18	25
129100-77510	10	35
	20	39
160110-02220	1	46
		47
160310-14550	4	67
	14	30
160393-55050	20	43
160710-78710	9	24
	19	24
160725-78350	5	60
	15	53
183671-13211	20	45
183720-55210	6	3
	16	3
22117-080000	8	17
	18	17
22190-160002	1	43
	10	25
	11	43
	20	29
22242-000120	2	16

Parts No.	Fig. No.	Ref. No.
22243-000150	12	16
22252-000210	4	37
22312-030160	2	43
	5	9
	12	43
	15	9
22312-040080	1	25
	11	26
22322-030200	5	27
		32
	15	34
		39
22351-025005	7	36
	17	32
22351-040008	2	31
	12	31
22451-060000	5	50
	15	67
22512-040120	4	27
22512-050140	14	27
22512-070360	4	68
	14	28
23080-007000	8	6
	18	4
23080-014000	8	23
	18	23
23414-080000	8	9
	10	32
	18	9
	20	36
23414-120000	20	42
23875-020000	1	26
	11	27
23876-010000	1	52
	11	50
24101-063040	14	53
24162-152116	1	48
24162-152220	11	46
24311-000125	8	15
	18	15
24311-000180	5	72
	15	72
24311-000400	20	44
24341-000150	10	34
	20	38
24341-000224	5	13
	10	33
	15	13
	20	37
24423-355008	11	47

Parts No.	Fig. No.	Ref. No.
24423-355008	11	48
26023-040102	9	32
	19	32
26106-060082	6	14
		36
	16	14
		38
26106-060122	5	10
	6	37
	9	25
		33
	15	10
	16	39
	19	25
		33
26106-060142	3	26
	5	64
	15	57
26106-060162	5	14
	8	20
	15	14
	18	18
26106-060202	3	17
	5	65
	6	15
	9	26
		34
	15	58
	16	15
	19	26
		34
26106-060402	2	32
	13	17
26106-060552	2	46
26106-060652	12	47
26106-080122	1	49
	11	49
26106-080202	4	66
	13	25
	14	29
26106-080352	1	38
	11	38
26106-080452	8	18
	18	19
26106-080502	12	32
26106-100302	9	19
	19	19
26117-050089	5	56
	15	49
26216-080182	3	27

Parts No.	Fig. No.	Ref. No.
26216-080182	13	26
26226-060182	1	28
	11	28
26226-060222	1	29
	11	29
26226-060302	3	18
26226-060352	13	18
26226-060552	2	33
	12	33
26347-060002	5	61
	15	54
26366-060002	1	30
	2	34
	6	16
	8	19
	11	30
	12	34
	16	16
	18	20
26366-080002	3	28
	13	27
26577-060142	9	27
	19	27
26716-080002	9	20
	19	20
26757-060002	5	62
	15	55
26856-060002	2	20
		24
	12	20
		24
29220-083200	9	42
	19	42
714210-14580	4	1
714210-22721	4	28
714210-28510	4	45
714210-61701	5	35
	15	16
714210-66100	5	52
	15	45
71421C-21010	4	13
71421C-23010	4	38
714249-51400	7	1
714249-53100	7	27
714310-14580	14	1
714310-28510	14	48
71431C-23010	14	41
714349-51400	17	1
714349-53100	17	27
714650-23600	14	46

Parts No. Index

Parts No.	Fig. No.	Ref. No.
714650-23610	14	66
714650-23620	14	68
714870-22502	4	30
X2114274200	9	18
	19	18
X2114715500	9	4
	19	4
X2114811000	9	3
	19	3
X211485016	9	11
	19	11

Parts No.	Fig. No.	Ref. No.
-----------	----------	----------

Parts No.	Fig. No.	Ref. No.
-----------	----------	----------

Parts No.	Fig. No.	Ref. No.
-----------	----------	----------