

0CC50-M01980EN

P R E F A C E

This parts catalog is the 1st edition of L70V6CA1T1KABR for EP BARRUS.

Published : July, 2019

Contents

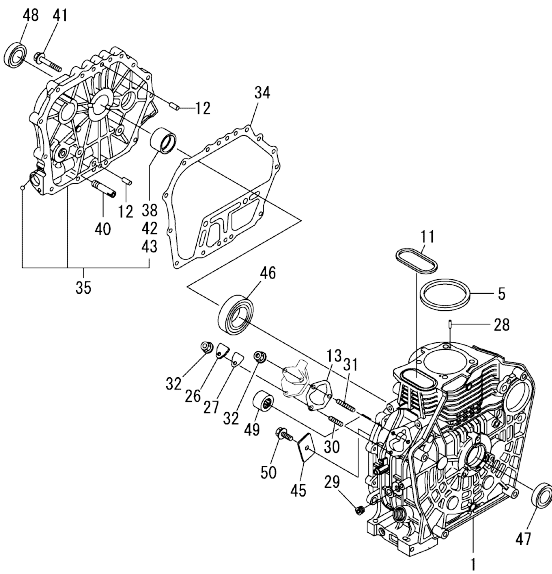
0CC50-M01980

| Fig. No. | Fig. Name | Fig. No. | Fig. Name |
|----------|--|----------|-----------|
| ENGINE | | | |
| 1. | CYLINDER BLOCK | | |
| 2. | DRAIN PLUG | | |
| 3. | LABEL | | |
| 4. | CYLINDER HEAD & BONNET | | |
| 5. | AIR CLEANER | | |
| 6. | EXHAUST MUFFLER | | |
| 7. | CAMSHAFT | | |
| 8. | CRANKSHAFT | | |
| 9. | FLYWHEEL | | |
| 10. | PISTON & CONNECTING ROD | | |
| 11. | BALANCER SHAFT | | |
| 12. | LUB. OIL PUMP & GOVERNOR | | |
| 13. | SWITCH CAP(OIL PRESSURE) | | |
| 14. | COVER | | |
| 15. | COOLING FAN CASE | | |
| 16. | FUEL INJECTION PUMP & FUEL INJECTION VALVE | | |
| 17. | FUEL TANK & FUEL PIPE | | |
| 18. | CONTROL DEVICE | | |
| 19. | RECOIL STARTER | | |
| 20. | STARTER MOTOR | | |
| 21. | ELECTRIC PARTS | | |
| 22. | KEY SWITCH | | |
| 23. | DYNAMO | | |
| 24. | GASKET SET & TOOL | | |

Fig.1. CYLINDER BLOCK

(A)=L70V6CA1T1KABR
(B)=
(C)=

(D)=
(E)=
(F)=

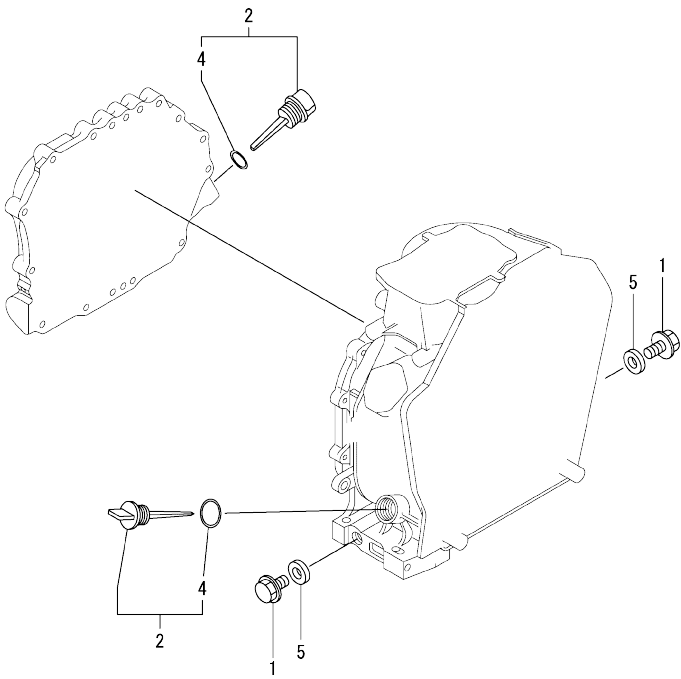


| No. | Lev. | Parts No. | Description | Q'ty | | | | | | I | R |
|-----|------|--------------|----------------------|------|-----|-----|-----|-----|-----|---|---|
| | | | | (A) | (B) | (C) | (D) | (E) | (F) | | |
| 1 | 1 | 114210-01010 | BLOCK ASSY, CYLINDER | 1 | | | | | | | |
| 5 | 1 | 114395-01331 | GASKET, HEAD | 1 | | | | | | | |
| 11 | 1 | 114399-01380 | O-RING, TAPPET | 1 | | | | | | | |
| 12 | 1 | 114299-01600 | PIN, PARALLEL 8X12 | 2 | | | | | | | |
| 13 | 1 | 114299-01800 | SHIM SET, PUMP | 1 | | | | | | | |
| 26 | 1 | 114299-01830 | COVER, PUMP | 1 | | | | | | | |
| 27 | 1 | 114250-01841 | GASKET, COVER | 1 | | | | | | | |
| 28 | 1 | 22312-040080 | PIN, PARALLEL M4X 8 | 2 | | | | | | | |
| 29 | 1 | 23875-020000 | PLUG, R02 | 1 | | | | | | | |
| 30 | 1 | 26226-060182 | STUD, M6X 18 | 1 | | | | | | | |
| 31 | 1 | 26226-060222 | STUD, M6X 22 | 2 | | | | | | | |
| 32 | 1 | 26366-060002 | NUT, M6 | 3 | | | | | | | |
| 34 | 1 | 114399-01410 | GASKET, CASE COVER | 1 | | | | | | | |
| 35 | 1 | 114211-01450 | COVER, CRANK CASE | 1 | | | | | | | |
| 38 | 2 | 114840-02110 | BEARING, MAIN | 1 | | | | | | | 1 |
| 40 | 1 | 114299-35150 | PIPE, OIL INLET | 1 | | | | | | | |
| 41 | 1 | 26106-080352 | BOLT, M8X 35 PLATED | 15 | | | | | | | |
| 42 | 1 | 114840-02200 | BEARING, MAIN 0.25OS | 1 | | | | | | | 2 |
| 43 | 1 | 114840-02210 | BEARING, MAIN 0.50OS | 1 | | | | | | | 3 |
| 45 | 1 | 114299-02030 | RETAINER, BEARING | 1 | | | | | | | |
| 46 | 1 | 114350-02113 | BEARING, B35-135G3C3 | 1 | | | | | | | |
| 47 | 1 | 160110-02220 | SEAL, OIL 30X45X8 | 1 | | | | | | | |
| 48 | 1 | 160110-02220 | SEAL, OIL 30X45X8 | 1 | | | | | | | |
| 49 | 1 | 24162-152116 | BEARING, 152116 | 1 | | | | | | | |
| 50 | 1 | 26106-080122 | BOLT, M8X 12 PLATED | 1 | | | | | | | |

Remarks

- (1) Spare parts.
- (2) Over-sized (O.S.=0.25) parts.
- (3) Over-sized (O.S.=0.50) parts.

OCC50-M01980 ENGINE
 Fig.2. DRAIN PLUG



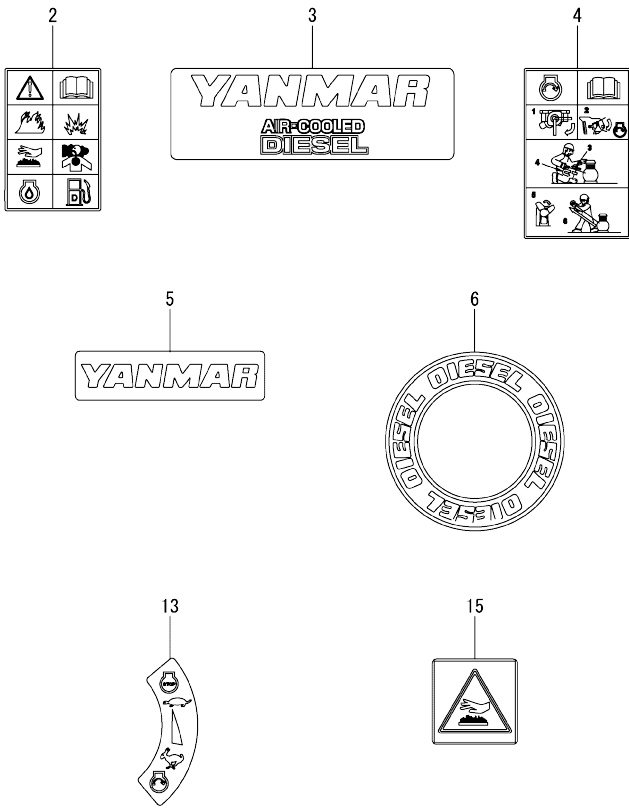
OCC50-M01980 Fig.2

(A)=L70V6CA1T1KABR
 (B)=
 (C)=

(D)=
 (E)=
 (F)=

| No. | Lev. | Parts No. | Description | Q'ty | | | | | |
|-----|------|--------------|----------------------|------|-----|-----|-----|-----|-----|
| | | | | (A) | (B) | (C) | (D) | (E) | (F) |
| 1 | 1 | 114299-01690 | PLUG, DRAIN 16 | 2 | | | | | |
| 2 | 1 | 114699-01760 | CAP ASSY, OIL SUPPLY | 2 | | | | | |
| 4 | 2 | 114299-01950 | O-RING, 18 | 2 | | | | | |
| 5 | 1 | 22190-160002 | WASHER, SEAL 16 | 2 | | | | | |

Fig.3. LABEL

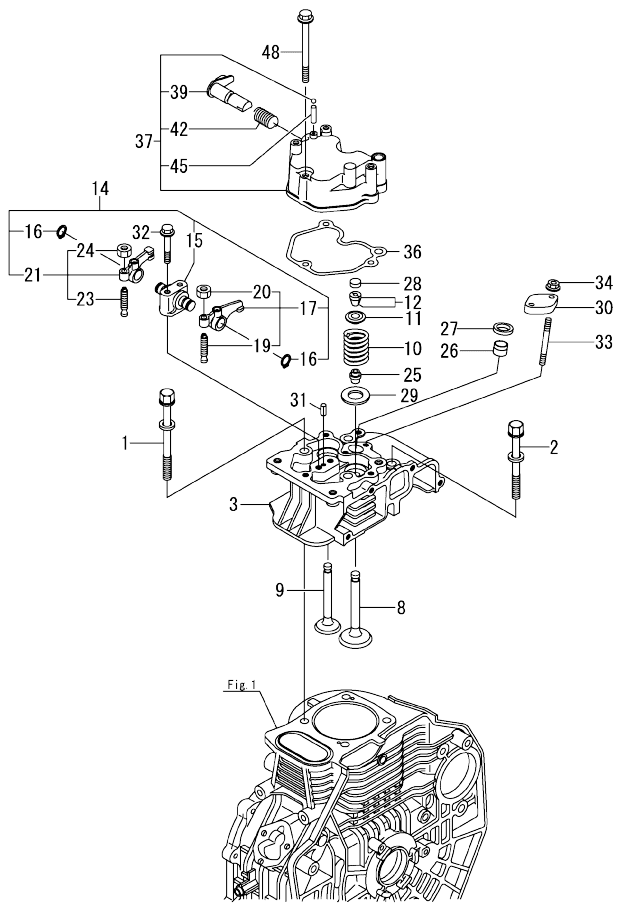


(A)=L70V6CA1T1KABR
(B)=
(C)=

(D)=
(E)=
(F)=

| No. | Lev. | Parts No. | Description | Q'ty | | | | | |
|-----|------|--------------|----------------------|------|-----|-----|-----|-----|-----|
| | | | | (A) | (B) | (C) | (D) | (E) | (F) |
| 2 | 1 | 114220-07100 | LABEL, CAUTION | 1 | | | | | |
| 3 | 1 | 114299-07101 | LABEL, YANMAR MARK A | 1 | | | | | |
| 4 | 1 | 114220-07110 | LABEL, HOW TO START | 1 | | | | | |
| 5 | 1 | 114299-07111 | LABEL, YANMAR MARK B | 1 | | | | | |
| 6 | 1 | 114299-07160 | LABEL, DIESEL | 1 | | | | | |
| 13 | 1 | 114220-07160 | LABEL, THAI | 1 | | | | | |
| 15 | 1 | 114220-07130 | LABEL, HOT SURFACE | 1 | | | | | |

Fig.4. CYLINDER HEAD & BONNET



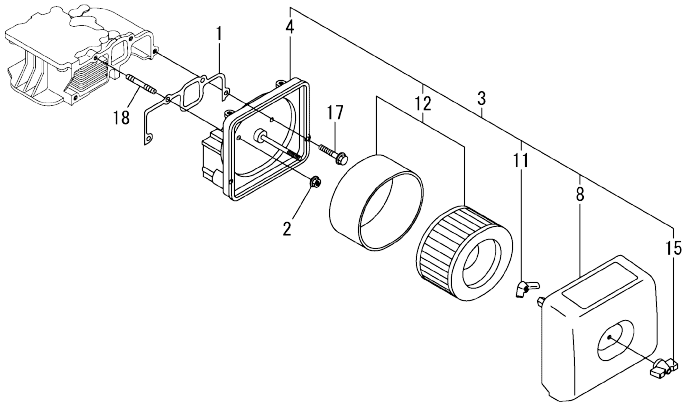
(A)=L70V6CA1T1KABR
(B)=
(C)=

(D)=
(E)=
(F)=

| No. | Lev. | Parts No. | Description | Qty | | | | | | I | R | |
|-----|------|--------------|-----------------------|-----|-----|-----|-----|-----|-----|---|---|--|
| | | | | (A) | (B) | (C) | (D) | (E) | (F) | | | |
| 1 | 1 | 114210-01200 | BOLT, HEAD A | | | | | | | | | |
| 2 | 1 | 114210-01210 | BOLT, HEAD B | | | | | | | | | |
| 3 | 1 | 114211-11020 | HEAD, CYLINDER | | | | | | | | | |
| 8 | 1 | 11421C-11100 | VALVE, INTAKE | | | | | | | | | |
| 9 | 1 | 11421C-11110 | VALVE, EXHAUST | | | | | | | | | |
| 10 | 1 | 114210-11120 | SPRING, VALVE | | | | | | | | | |
| 11 | 1 | 114210-11180 | RETAINER, SPRING | | | | | | | | | |
| 12 | 1 | 114210-11930 | COTTER ASSY | | | | | | | | | |
| 14 | 1 | 11421C-11250 | SUPPORT ASSY, ARM | | | | | | | | | |
| 15 | 2 | 11421C-11260 | SUPPORT, ROCKER ARM | | | | | | | | | |
| 16 | 2 | 22242-000120 | RING, 12 | | | | | | | | | |
| 17 | 2 | 11421C-11650 | ARM ASSY, ROCKER | | | | | | | | | |
| 19 | 3 | 114250-11240 | SCREW, VALVE ADJUST | | | | | | | | | |
| 20 | 3 | 26856-060002 | NUT, M6 | | | | | | | | | |
| 21 | 2 | 11421C-11660 | ARM ASSY, ROCKER EXH | | | | | | | | | |
| 23 | 3 | 114250-11240 | SCREW, VALVE ADJUST | | | | | | | | | |
| 24 | 3 | 26856-060002 | NUT, M6 | | | | | | | | | |
| 25 | 1 | 114350-11341 | SEAL, VALVE STEM | | | | | | | | | |
| 26 | 1 | 114240-11450 | PROTECTOR, NOZZLE | | | | | | | | | |
| 27 | 1 | 114240-11550 | SEAT, NOZZLE | | | | | | | | | |
| 28 | 1 | 105010-11490 | CAP, VALVE | | | | | | | | | |
| 29 | 1 | 114299-11600 | WASHER, VALVE SPRING | | | | | | | | | |
| 30 | 1 | 114210-11901 | RETAINER, VALVE | | | | | | | | | |
| 31 | 1 | 22351-040008 | PIN, SPRING 4.0X 8 | | | | | | | | | |
| 32 | 1 | 26106-060402 | BOLT, M6X 40 PLATED | | | | | | | | | |
| 33 | 1 | 26226-060552 | STUD, M6X 55 | | | | | | | | | |
| 34 | 1 | 26366-060002 | NUT, M6 | | | | | | | | | |
| 36 | 1 | 114210-11310 | GASKET, BONNET | | | | | | | | | |
| 37 | 1 | 114210-11950 | BONNET ASSY, HEAD | | | | | | | | | |
| 39 | 2 | 114210-03590 | DECOMPRESSION ASSY | | | | | | | | | |
| 42 | 2 | 114299-03640 | SPRING, DECOMPRESSION | | | | | | | | | |
| 45 | 2 | 22312-030160 | PIN, PARALLEL M3X16 | | | | | | | | | |
| 48 | 1 | 26106-060552 | BOLT, M6X 55 PLATED | | | | | | | | | |

OCC50-M01980 ENGINE
 Fig.5. AIR CLEANER

OCC50-M01980 Fig.5



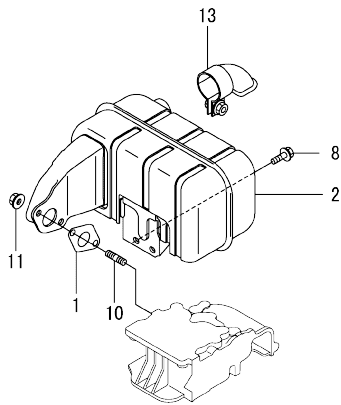
(A)=L70V6CA1T1KABR
 (B)=
 (C)=

(D)=
 (E)=
 (F)=

| No. | Lev. | Parts No. | Description | Q'ty | | | | | |
|-----|------|--------------|---------------------|------|-----|-----|-----|-----|-----|
| | | | | (A) | (B) | (C) | (D) | (E) | (F) |
| 1 | 1 | 114210-12210 | GASKET, AIR CLEANER | 1 | | | | | |
| 2 | 1 | 114299-12300 | NUT | 3 | | | | | |
| 3 | 1 | 114220-12550 | CLEANER ASSY, AIR | 1 | | | | | |
| 4 | 2 | 114210-12010 | BODY ASSY, CLEANER | 1 | | | | | |
| 8 | 2 | 114220-12500 | COVER ASSY, CLEANER | 1 | | | | | |
| 11 | 2 | 114210-12560 | NUT, WING | 1 | | | | | |
| 12 | 2 | 114210-12590 | ELEMENT ASSY | 1 | | | | | |
| 15 | 2 | 114210-12600 | KNOB | 1 | | | | | |
| 17 | 1 | 26106-060202 | BOLT, M6X 20 PLATED | 1 | | | | | |
| 18 | 1 | 26226-060302 | STUD, M6X 30 | 3 | | | | | |

OCC50-M01980 ENGINE

Fig.6. EXHAUST MUFFLER



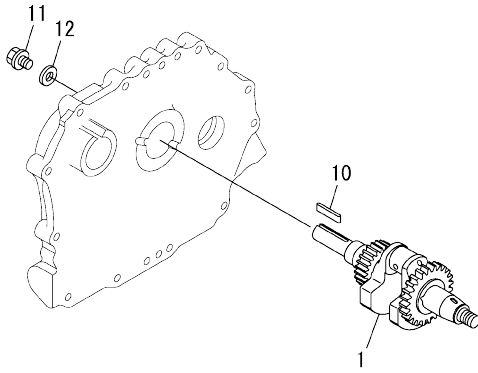
OCC50-M01980 Fig.6

(A)=L70V6CA1T1KABR
(B)=
(C)=

(D)=
(E)=
(F)=

| No. | Lev. | Parts No. | Description | Q'ty | | | | | | I | R |
|-----|------|--------------|---------------------|------|-----|-----|-----|-----|-----|---|---|
| | | | | (A) | (B) | (C) | (D) | (E) | (F) | | |
| 1 | 1 | 114299-13200 | GASKET, MUFFLER | 1 | | | | | | | |
| 2 | 1 | 11421C-13500 | MUFFLER ASSY | 1 | | | | | | | |
| 8 | 1 | 26106-060142 | BOLT, M6X 14 PLATED | 2 | | | | | | | |
| 10 | 1 | 26216-080182 | STUD, M8X 18 | 2 | | | | | | | |
| 11 | 1 | 26306-080002 | NUT, M8 | 2 | | | | | | | |
| 13 | 1 | 114299-13800 | EXTENSION ASSY | 1 | | | | | | | |

Fig.8. CRANKSHAFT

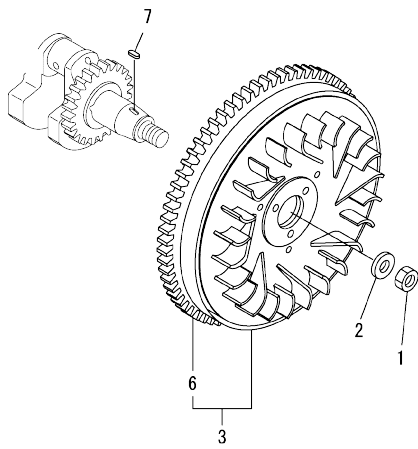


(A)=L70V6CA1T1KABR
(B)=
(C)=

(D)=
(E)=
(F)=

| No. | Lev. | Parts No. | Description | Q'ty | | | | | |
|-----|------|--------------|----------------------|------|-----|-----|-----|-----|-----|
| | | | | (A) | (B) | (C) | (D) | (E) | (F) |
| 1 | 1 | 11421C-21830 | CRANKSHAFT ASSY, E-D | 1 | | | | | |
| 10 | 1 | 160842-21150 | KEY, FEATHER 6.3X50 | 1 | | | | | |
| 11 | 1 | 160842-21250 | BOLT, 7/16-20UNF | 1 | | | | | |
| 12 | 1 | 160842-21260 | WASHER, PULLEY | 1 | | | | | |

OCC50-M01980 ENGINE
 Fig.9. FLYWHEEL



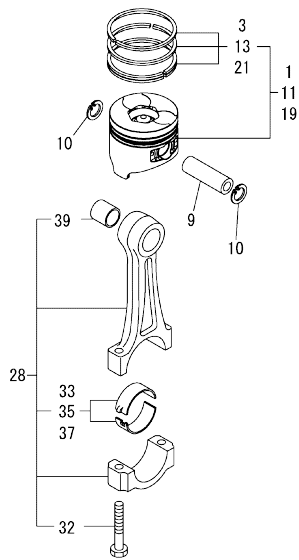
OCC50-M01980 Fig.9

(A)=L70V6CA1T1KABR
 (B)=
 (C)=

(D)=
 (E)=
 (F)=

| No. | Lev. | Parts No. | Description | Q'ty | | | | | | I | R |
|-----|------|--------------|-------------------|------|-----|-----|-----|-----|-----|---|---|
| | | | | (A) | (B) | (C) | (D) | (E) | (F) | | |
| 1 | 1 | 114299-21220 | NUT, WHEEL | 1 | | | | | | | |
| 2 | 1 | 114299-21550 | WASHER, FLYWHEEL | 1 | | | | | | | |
| 3 | 1 | 114399-21590 | FLYWHEEL ASSY, DE | 1 | | | | | | | |
| 6 | 2 | 114399-21600 | GEAR, RING | 1 | | | | | | | |
| 7 | 1 | 22512-040120 | KEY, 4X 12 | 1 | | | | | | | |

Fig.10. PISTON & CONNECTING ROD



(A)=L70V6CA1T1KABR
(B)=
(C)=

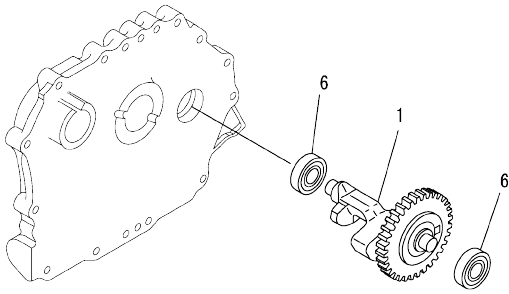
(D)=
(E)=
(F)=

| No. | Lev. | Parts No. | Description | Q'ty | | | | | | I | R |
|-----|------|--------------|-----------------------|------|-----|-----|-----|-----|-----|---|---|
| | | | | (A) | (B) | (C) | (D) | (E) | (F) | | |
| 1 | 1 | 714210-22721 | PISTON ASSY, D | 1 | | | | | | | |
| 3 | 2 | 714870-22502 | RING SET, PISTON | 1 | | | | | | | |
| 9 | 1 | 114399-22300 | PIN, PISTON D=21 | 1 | | | | | | | |
| 10 | 1 | 22252-000210 | RING, 21 | 2 | | | | | | | |
| 11 | 1 | 114240-22040 | PISTON ASSY, 0.25 OS | 1 | | | | | | | 1 |
| 13 | 2 | 114220-22140 | RING SET, PISTON .25 | 1 | | | | | | | 1 |
| 19 | 1 | 114240-22050 | PISTON ASSY, 0.50 OS | 1 | | | | | | | 2 |
| 21 | 2 | 114220-22150 | RING SET, PISTON .50 | 1 | | | | | | | 2 |
| 28 | 1 | 11422C-23700 | ROD ASSY, CONNECTING | 1 | | | | | | | |
| 32 | 3 | 118200-23200 | BOLT, CONNECTING ROD | 2 | | | | | | | |
| 33 | 2 | 114840-23600 | METAL, CRANK PIN | 1 | | | | | | | |
| 35 | 1 | 114840-23610 | METAL, CRANK PIN 0.25 | 1 | | | | | | | 1 |
| 37 | 1 | 114840-23620 | METAL, CRANK PIN 0.50 | 1 | | | | | | | 2 |
| 39 | 1 | 114840-23910 | BUSH, PISTON PINN | 1 | | | | | | | 3 |

Remarks

- (1)Over-sized(O.S.=0.25) parts.
- (2)Over-sized(O.S.=0.50) parts.
- (3)Spare parts.

Fig.11. BALANCER SHAFT

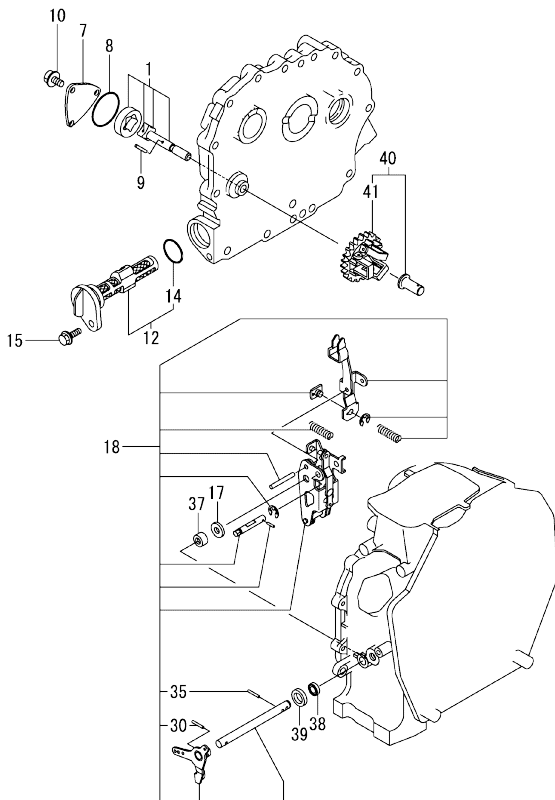


(A)=L70V6CA1T1KABR
(B)=
(C)=

(D)=
(E)=
(F)=

| No. | Lev. | Parts No. | Description | Q'ty | | | | | | I | R |
|-----|------|--------------|----------------------|------|-----|-----|-----|-----|-----|---|---|
| | | | | (A) | (B) | (C) | (D) | (E) | (F) | | |
| 1 | 1 | 714210-28510 | SHAFT ASSY, BALANCER | 1 | | | | | | | |
| 6 | 1 | 114210-28050 | BEARING, 6203 | 2 | | | | | | | |

Fig.12. LUB. OIL PUMP & GOVERNOR



(A)=L70V6CA1T1KABR
(B)=
(C)=

(D)=
(E)=
(F)=

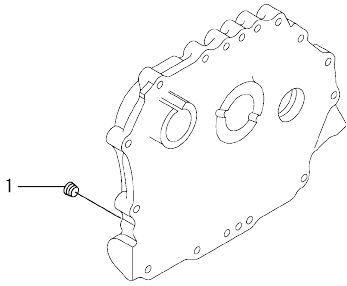
| No. | Lev. | Parts No. | Description | Q'ty | | | | | | I | R |
|-----|------|--------------|-----------------------|------|-----|-----|-----|-----|-----|---|---|
| | | | | (A) | (B) | (C) | (D) | (E) | (F) | | |
| 1 | 1 | 114250-32010 | PUMP ASSY, OIL | 1 | | | | | | | |
| 7 | 1 | 114299-32070 | COVER, OIL PUMP | 1 | | | | | | | |
| 8 | 1 | 114299-32570 | O-RING, PUMP COVER | 1 | | | | | | | |
| 9 | 1 | 22312-030160 | PIN, PARALLEL M3X16 | 1 | | | | | | | |
| 10 | 1 | 26106-060122 | BOLT, M6X 12 PLATED | 3 | | | | | | | |
| 12 | 1 | 114299-35110 | FILTER ASSY, OIL | 1 | | | | | | | |
| 14 | 2 | 24341-000224 | O-RING, 1AS22.4 | 1 | | | | | | | |
| 15 | 1 | 26106-060162 | BOLT, M6X 16 PLATED | 1 | | | | | | | |
| 17 | 1 | 114299-61190 | WASHER, GOVERNOR | 1 | | | | | | | |
| 18 | 1 | 114210-61500 | LEVER ASSY, GOVERNOR | 1 | | | | | | | 1 |
| 30 | 3 | 22322-030200 | PIN, TAPER 3X20 | 1 | | | | | | | |
| 35 | 2 | 22322-030200 | PIN, TAPER 3X20 | 1 | | | | | | | |
| 37 | 1 | 114770-61520 | BEARING, NEEDLE | 2 | | | | | | | |
| 38 | 1 | 114299-61600 | SEAL, OIL | 1 | | | | | | | |
| 39 | 1 | 114770-61610 | WASHER, THRUST | 1 | | | | | | | |
| 40 | 1 | 714210-61701 | GOVERNOR ASSY | 1 | | | | | | | |
| 41 | 2 | 114210-61290 | WEIGHT ASSY, GOVERNOR | 1 | | | | | | | |

Remarks

(1) On a guarantee of quality, component parts shall not be sold.

OCC50-M01980 ENGINE

Fig.13. SWITCH CAP(OIL PRESSURE)



OCC50-M01980 Fig.13

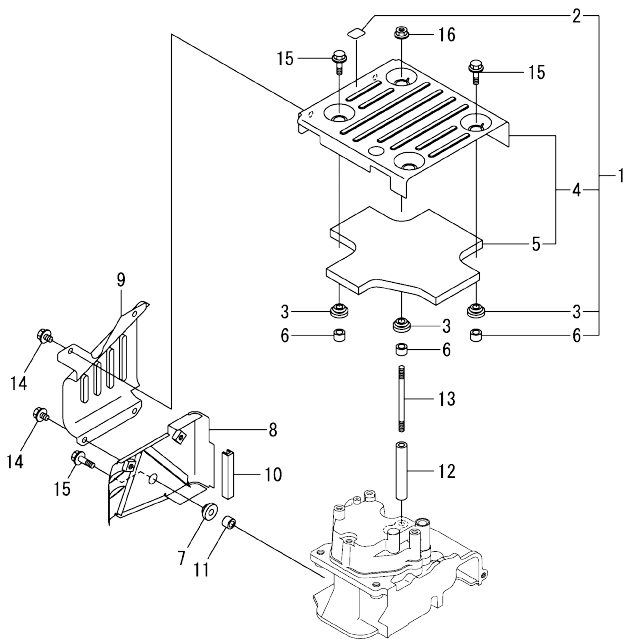
(A)=L70V6CA1T1KABR
(B)=
(C)=

(D)=
(E)=
(F)=

| No. | Lev. | Parts No. | Description | Q'ty | | | | | | I | R |
|-----|------|--------------|-------------|------|-----|-----|-----|-----|-----|---|---|
| | | | | (A) | (B) | (C) | (D) | (E) | (F) | | |
| 1 | 1 | 23876-010000 | PLUG, R01 | 1 | | | | | | | |

OCC50-M01980 ENGINE
 Fig.14. COVER

OCC50-M01980 Fig.14

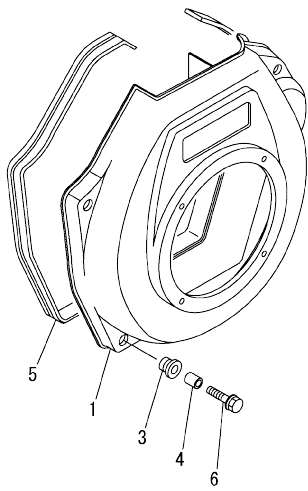


(A)=L70V6CA1T1KABR
 (B)=
 (C)=

(D)=
 (E)=
 (F)=

| No. | Lev. | Parts No. | Description | Q'ty | | | | | | I | R |
|-----|------|--------------|----------------------|------|-----|-----|-----|-----|-----|---|---|
| | | | | (A) | (B) | (C) | (D) | (E) | (F) | | |
| 1 | 1 | 114220-45210 | COVER ASSY, TOP | 1 | | | | | | | |
| 2 | 2 | 114220-07120 | LABEL, DECOMPRESSION | 1 | | | | | | | |
| 3 | 2 | 114299-45220 | GROMMET, TANK | 4 | | | | | | | |
| 4 | 2 | 114210-45320 | COVER, TOP | 1 | | | | | | | |
| 5 | 3 | 114210-45310 | ACOUSTIC ABSORBENT | 1 | | | | | | | |
| 6 | 2 | 114399-45340 | COLLAR | 4 | | | | | | | |
| 7 | 1 | 114299-45220 | GROMMET, TANK | 1 | | | | | | | |
| 8 | 1 | 114210-45260 | COVER, SIDE B | 1 | | | | | | | |
| 9 | 1 | 114210-45270 | COVER, SIDE A | 1 | | | | | | | |
| 10 | 1 | 114399-45320 | RUBBER, SEAL | 1 | | | | | | | |
| 11 | 1 | 114399-45340 | COLLAR | 1 | | | | | | | |
| 12 | 1 | 114210-45350 | SPACER, TOP COVER | 1 | | | | | | | |
| 13 | 1 | 114210-45360 | STUD, M6X87 | 1 | | | | | | | |
| 14 | 1 | 26106-060082 | BOLT, M6X 8 PLATED | 4 | | | | | | | |
| 15 | 1 | 26106-060202 | BOLT, M6X 20 PLATED | 4 | | | | | | | |
| 16 | 1 | 26366-060002 | NUT, M6 | 1 | | | | | | | |

Fig.15. COOLING FAN CASE

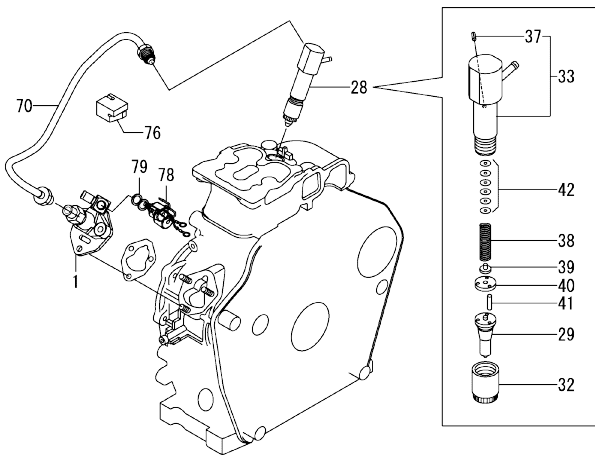


(A)=L70V6CA1T1KABR
(B)=
(C)=

(D)=
(E)=
(F)=

| No. | Lev. | Parts No. | Description | Qty | | | | | |
|-----|------|--------------|-------------------|-----|-----|-----|-----|-----|-----|
| | | | | (A) | (B) | (C) | (D) | (E) | (F) |
| 1 | 1 | 114210-45150 | CASE, COOLING FAN | 1 | | | | | |
| 3 | 1 | 114299-45301 | RUBBER, FAN CASE | 4 | | | | | |
| 4 | 1 | 114299-45310 | COLLAR, FAN CASE | 4 | | | | | |
| 5 | 1 | 114299-45331 | SEAL, FAN CASE | 1 | | | | | |
| 6 | 1 | 114299-45350 | BOLT, FAN CASE | 4 | | | | | |

Fig.16. FUEL INJECTION PUMP & FUEL INJECTION VALVE



(A)=L70V6CA1T1KABR
(B)=
(C)=

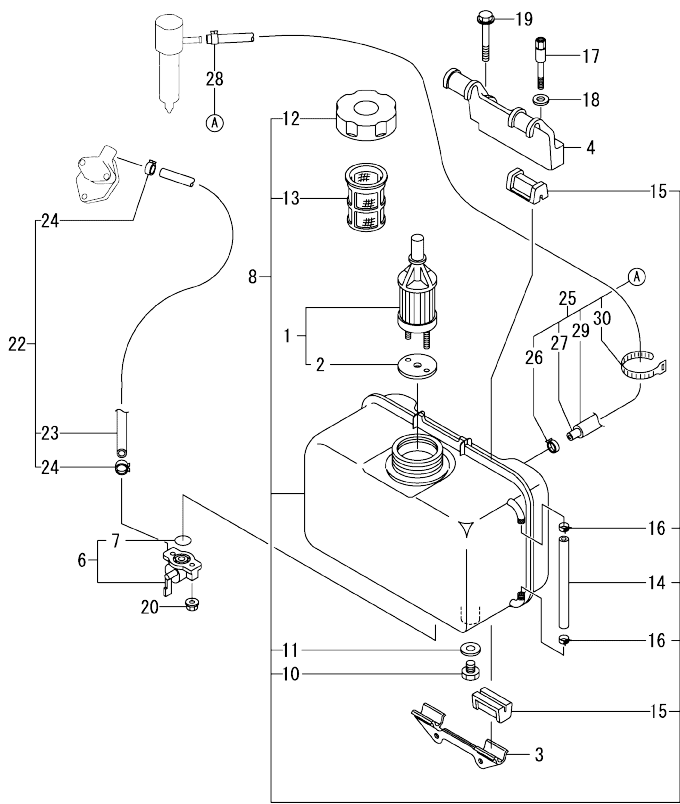
(D)=
(E)=
(F)=

| No. | Lev. | Parts No. | Description | Q'ty | | | | | | I | R |
|-----|------|--------------|-----------------------|------|-----|-----|-----|-----|-----|---|---|
| | | | | (A) | (B) | (C) | (D) | (E) | (F) | | |
| 1 | 1 | 714249-51640 | PUMP ASSY, INJECTION | 1 | | | | | | | 1 |
| 28 | 1 | 714249-53100 | VALVE ASSY, INJECTION | 1 | | | | | | | |
| 29 | 2 | 114249-53000 | VALVE ASSY, INJECTION | 1 | | | | | | | |
| 32 | 2 | 114250-53080 | NUT, NOZZLE | 1 | | | | | | | |
| 33 | 2 | 114339-53100 | HOLDER ASSY, NOZZLE | 1 | | | | | | | |
| 37 | 3 | 22351-025005 | PIN, SPRING 2.5X 6 | 1 | | | | | | | |
| 38 | 2 | 114250-53120 | SPRING, NOZZLE | 1 | | | | | | | |
| 39 | 2 | 114250-53130 | SEAT, SPRING | 1 | | | | | | | |
| 40 | 2 | 114250-53140 | SPACER, VALVE STOP | 1 | | | | | | | |
| 41 | 2 | 114250-53210 | PIN, POSITIONING | 2 | | | | | | | |
| 42 | 2 | 119803-53400 | SHIM SET | 1 | | | | | | | |
| 70 | 1 | 114210-59800 | PIPE ASSY, INJECTION | 1 | | | | | | | |
| 76 | 1 | 114210-59850 | SUPPORT, PIPE | 1 | | | | | | | |
| 78 | 1 | 114110-76910 | VALVE ASSY, FUEL CUT | 1 | | | | | | | |
| 79 | 1 | 114299-83020 | GASKET, 10X1.2 | 1 | | | | | | | |

Remarks

(1) On a guarantee of quality, component parts shall not be sold.

Fig.17. FUEL TANK & FUEL PIPE

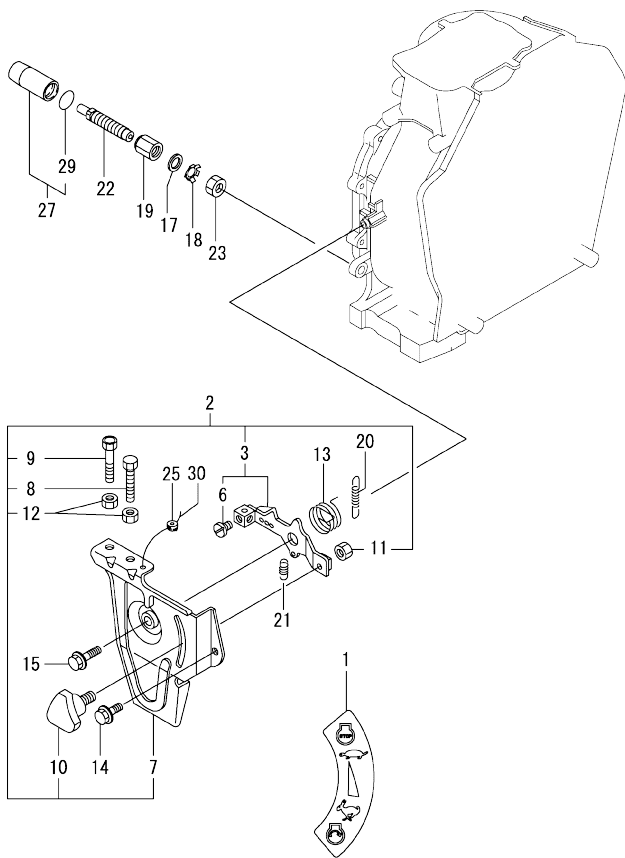


(A)=L70V6CA1T1KABR
(B)=
(C)=

(D)=
(E)=
(F)=

| No. | Lev. | Parts No. | Description | Q'ty | | | | | | I | R |
|-----|------|--------------|----------------------|------|-----|-----|-----|-----|-----|---|---|
| | | | | (A) | (B) | (C) | (D) | (E) | (F) | | |
| 1 | 1 | 114250-55122 | FILTER ASSY,FUEL OIL | 1 | | | | | | | |
| 2 | 2 | 114250-55130 | GASKET | 1 | | | | | | | |
| 3 | 1 | 114210-55220 | STAY, FUEL TANK A | 1 | | | | | | | |
| 4 | 1 | 114210-55230 | STAY, FUEL TANK B | 1 | | | | | | | |
| 6 | 1 | 114240-55300 | COCK ASSY, FUEL | 1 | | | | | | | |
| 7 | 2 | 24311-000125 | O-RING, 1AP12.5 | 1 | | | | | | | |
| 8 | 1 | 11422C-55730 | TANK ASSY, FUEL OIL | 1 | | | | | | | |
| 10 | 2 | 114299-55080 | PLUG, DRAIN | 1 | | | | | | | |
| 11 | 2 | 23414-080000 | GASKET, 8X1.0 | 1 | | | | | | | |
| 12 | 2 | 114299-55040 | CAP ASSY, FUEL TANK | 1 | | | | | | | |
| 13 | 2 | 114299-55110 | STRAINER, FUEL TANK | 1 | | | | | | | |
| 14 | 2 | 114239-55150 | GAUGE, OIL LEVEL | 1 | | | | | | | |
| 15 | 2 | 114740-55200 | DAMPER, FUEL TANK | 4 | | | | | | | |
| 16 | 2 | 23080-007000 | CLAMP, 7 | 2 | | | | | | | |
| 17 | 1 | 114210-55810 | BOLT, LIFTING | 1 | | | | | | | |
| 18 | 1 | 22117-080000 | WASHER, 8 | 1 | | | | | | | |
| 19 | 1 | 26106-080452 | BOLT, M8X 45 PLATED | 1 | | | | | | | |
| 20 | 1 | 26366-060002 | NUT, M6 | 2 | | | | | | | |
| 22 | 1 | 114780-59010 | PIPE ASSY, FUEL L50 | 1 | | | | | | | |
| 23 | 2 | 114780-59060 | PIPE, FUEL L=50 | 1 | | | | | | | |
| 24 | 2 | 23080-014000 | CLAMP, 14 | 2 | | | | | | | |
| 25 | 1 | 114239-59301 | PIPE ASSY, FO RETURN | 1 | | | | | | | |
| 26 | 2 | 124722-59050 | CLAMP, HOSE 9 | 1 | | | | | | | |
| 27 | 2 | 114650-59061 | PIPE, FO RETURN | 1 | | | | | | | |
| 28 | 2 | 124066-59100 | CLAMP, HOSE 8 | 1 | | | | | | | |
| 29 | 2 | 114652-59310 | TUBE, PROTECT | 1 | | | | | | | |
| 30 | 2 | 121750-59890 | BAND, NYLON | 1 | | | | | | | |

Fig.18. CONTROL DEVICE

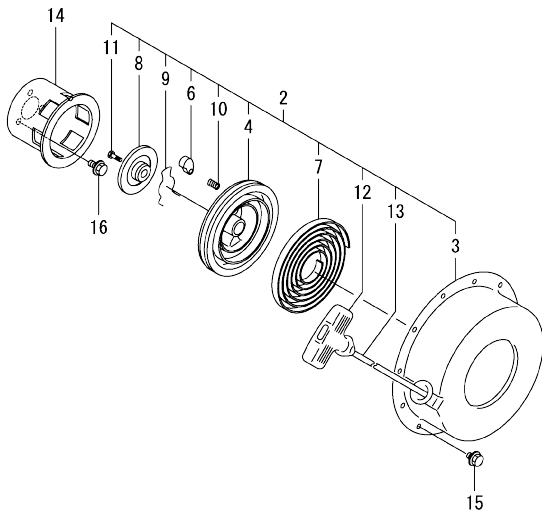


(A)=L70V6CA1T1KABR
(B)=
(C)=

(D)=
(E)=
(F)=

| No. | Lev. | Parts No. | Description | Q'ty | | | | | | I | R |
|-----|------|--------------|---------------------|------|-----|-----|-----|-----|-----|---|---|
| | | | | (A) | (B) | (C) | (D) | (E) | (F) | | |
| 1 | 1 | 114220-07160 | LABEL, THAI | 1 | | | | | | | |
| 2 | 1 | 714210-66100 | CONTROL ASSY, SPEED | 1 | | | | | | | |
| 3 | 2 | 114210-66060 | HANDLE ASSY | 1 | | | | | | | |
| 6 | 3 | 26117-050089 | BOLT, M5X 8 PLATED | 1 | | | | | | | |
| 7 | 2 | 114210-66100 | BRACKET, REGULATOR | 1 | | | | | | | |
| 8 | 2 | 114299-66440 | BOLT, ADJUSTER | 1 | | | | | | | |
| 9 | 2 | 114299-67080 | BOLT, ADJUST | 1 | | | | | | | |
| 10 | 2 | 160725-78350 | BOLT, KNOB M6X15 | 1 | | | | | | | |
| 11 | 2 | 26347-060002 | NUT, M6 | 1 | | | | | | | |
| 12 | 2 | 26857-060002 | NUT, M6 | 2 | | | | | | | |
| 13 | 1 | 114299-66250 | SPRING, RETURN | 1 | | | | | | | |
| 14 | 1 | 26106-060142 | BOLT, M6X 14 PLATED | 1 | | | | | | | |
| 15 | 1 | 26106-060202 | BOLT, M6X 20 PLATED | 1 | | | | | | | |
| 17 | 1 | 114295-61810 | WASHER, PLAIN 14 | 1 | | | | | | | |
| 18 | 1 | 114771-61830 | PLATE | 1 | | | | | | | |
| 19 | 1 | 114295-61940 | NUT, PROTECTOR M14 | 1 | | | | | | | |
| 20 | 1 | 114210-66010 | SPRING, REGULATOR | 1 | | | | | | | |
| 21 | 1 | 114299-66201 | SPRING, RETURN | 1 | | | | | | | |
| 22 | 1 | 114771-66600 | LIMITER ASSY, FUEL | 1 | | | | | | | |
| 23 | 1 | 114295-66690 | NUT, LOCK M14 | 1 | | | | | | | |
| 25 | 1 | 114780-61090 | TIN | 1 | | | | | | | |
| 27 | 1 | 114295-61980 | PROTECTOR ASSY | 1 | | | | | | | |
| 29 | 2 | 24311-000180 | O-RING, 1AP18.0 | 1 | | | | | | | |
| 30 | 1 | 22451-060000 | WIRE, 0.6 | 1 | | | | | | | |

Fig.19. RECOIL STARTER

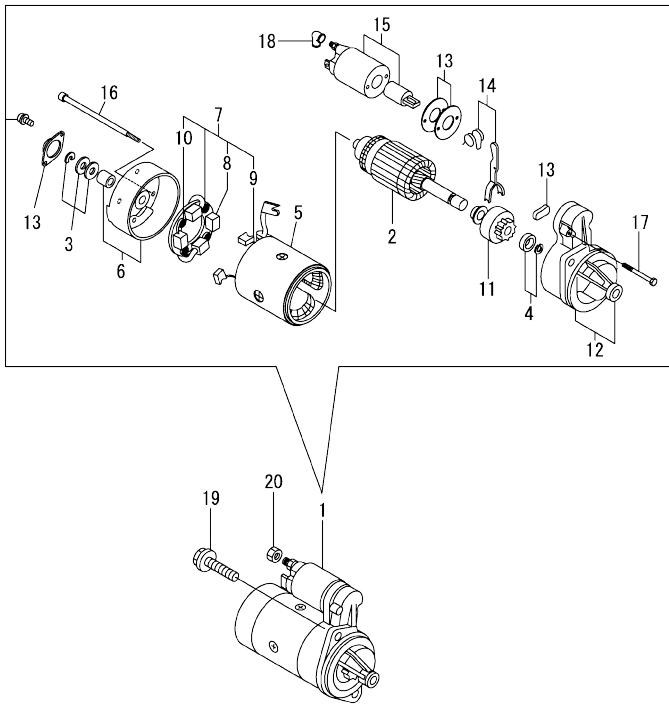


(A)=L70V6CA1T1KABR
(B)=
(C)=

(D)=
(E)=
(F)=

| No. | Lev. | Parts No. | Description | Q'ty | | | | | |
|-----|------|--------------|----------------------|------|-----|-----|-----|-----|-----|
| | | | | (A) | (B) | (C) | (D) | (E) | (F) |
| 2 | 2 | 114399-76251 | STARTER ASSY, RECOIL | 1 | | | | | |
| 3 | 3 | 114399-76510 | CASE, STARTER | 1 | | | | | |
| 4 | 3 | 114399-76521 | REEL, RECOIL STARTER | 1 | | | | | |
| 6 | 3 | 114399-76600 | RATCHET | 1 | | | | | |
| 7 | 3 | 114399-76540 | SPRING, SPIRAL | 1 | | | | | |
| 8 | 3 | 114399-76550 | COVER, RATCHET | 1 | | | | | |
| 9 | 3 | 114399-76560 | SPRING | 1 | | | | | |
| 10 | 3 | 114399-76570 | SPRING, RETURN | 1 | | | | | |
| 11 | 3 | 114399-76580 | SCREW | 1 | | | | | |
| 12 | 3 | 114399-76620 | KNOB, STARTER | 1 | | | | | |
| 13 | 3 | 114399-76630 | ROPE, STARTER | 1 | | | | | |
| 14 | 2 | 114399-76590 | PULLEY, STARTER | 1 | | | | | |
| 15 | 1 | 26106-060082 | BOLT, M6X 8 PLATED | 4 | | | | | |
| 16 | 1 | 26106-060122 | BOLT, M6X 12 PLATED | 3 | | | | | |

Fig.20. STARTER MOTOR

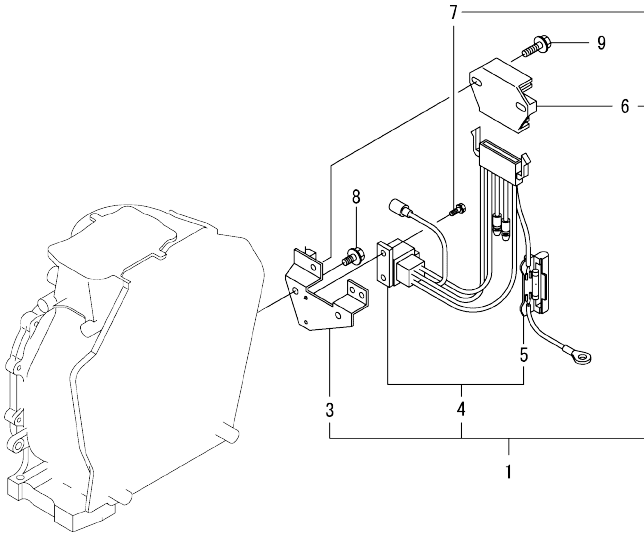


(A)=L70V6CA1T1KABR
(B)=
(C)=

(D)=
(E)=
(F)=

| No. | Lev. | Parts No. | Description | Q'ty | | | | | | I | R |
|-----|------|--------------|----------------------|------|-----|-----|-----|-----|-----|---|---|
| | | | | (A) | (B) | (C) | (D) | (E) | (F) | | |
| 1 | 1 | 114362-77011 | STARTER ASSY, D | 1 | | | | | | | |
| 2 | 2 | 114381-77110 | ARMATURE | 1 | | | | | | | |
| 3 | 2 | X2114811000 | WASHER KIT, THRUST | 1 | | | | | | | |
| 4 | 2 | X2114715500 | STOPPER SET, PINION | 1 | | | | | | | |
| 5 | 2 | 114381-77130 | COIL ASSY, FIELD | 1 | | | | | | | |
| 6 | 2 | 114381-77140 | COVER | 1 | | | | | | | |
| 7 | 2 | 114371-77160 | HOLDER ASSY, BRUSH | 1 | | | | | | | |
| 8 | 3 | 114371-79040 | BRUSH, - | 2 | | | | | | | |
| 9 | 3 | 114371-79050 | BRUSH SET, + | 1 | | | | | | | |
| 10 | 3 | 114371-79060 | SPRING, BRUSH | 4 | | | | | | | |
| 11 | 2 | X211485016 | PINION ASSY | 1 | | | | | | | |
| 12 | 2 | 114381-77151 | CASE ASSY, GEAR | 1 | | | | | | | |
| 13 | 2 | 114371-77170 | COVER KIT, DUST | 1 | | | | | | | |
| 14 | 2 | 114371-77180 | LEVER KIT, SHIFT | 1 | | | | | | | |
| 15 | 2 | 124298-77020 | SWITCH, MAGNET | 1 | | | | | | | |
| 16 | 2 | 124195-77770 | BOLT, THROUGH | 2 | | | | | | | |
| 17 | 2 | 114371-79070 | BOLT, M6 | 2 | | | | | | | |
| 18 | 2 | X2114274200 | COVER, TERMINAL | 1 | | | | | | | |
| 19 | 1 | 26106-100302 | BOLT, M10X 30 PLATED | 2 | | | | | | | |
| 20 | 1 | 26716-080002 | NUT, M8 | 1 | | | | | | | |

Fig.21. ELECTRIC PARTS

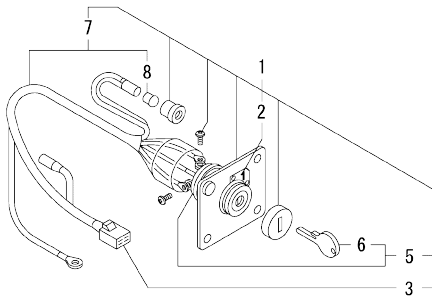


(A)=L70V6CA1T1KABR
(B)=
(C)=

(D)=
(E)=
(F)=

| No. | Lev. | Parts No. | Description | Q'ty | | | | | |
|-----|------|--------------|---------------------|------|-----|-----|-----|-----|-----|
| | | | | (A) | (B) | (C) | (D) | (E) | (F) |
| 1 | 1 | 114399-77550 | REGULATOR ASSY | 1 | | | | | |
| 3 | 2 | 114399-77400 | BRACKET, HARNESS | 1 | | | | | |
| 4 | 2 | 114399-77540 | HARNESS, WIRE | 1 | | | | | |
| 5 | 3 | 114399-78000 | FUSE, 20A | 1 | | | | | |
| 6 | 2 | 114399-77710 | REGULATOR | 1 | | | | | |
| 7 | 2 | 26023-040102 | SCREW, M4X10 | 2 | | | | | |
| 8 | 1 | 26106-060122 | BOLT, M6X 12 PLATED | 2 | | | | | |
| 9 | 1 | 26106-060202 | BOLT, M6X 20 PLATED | 2 | | | | | |

Fig.22. KEY SWITCH



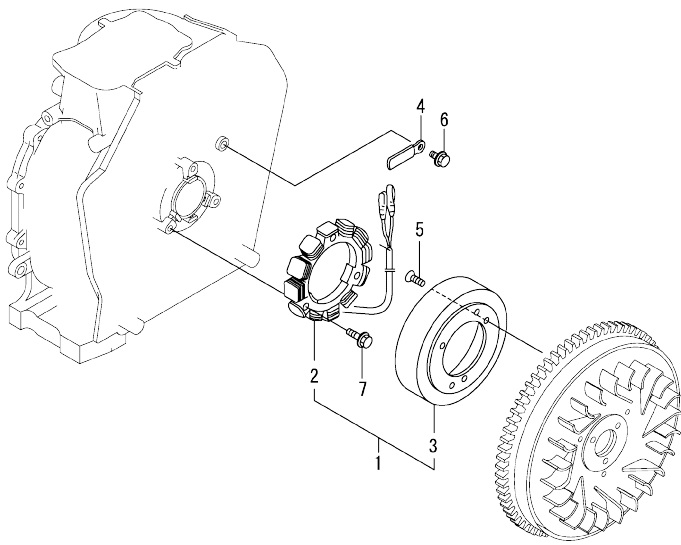
(A)=L70V6CA1T1KABR
(B)=
(C)=

(D)=
(E)=
(F)=

| No. | Lev. | Parts No. | Description | Q'ty | | | | | | I | R | |
|-----|------|--------------|---------------------|------|-----|-----|-----|-----|-----|---|---|--|
| | | | | (A) | (B) | (C) | (D) | (E) | (F) | | | |
| 1 | 1 | 114220-77500 | PANEL ASSY, SWITCH | 1 | | | | | | | 1 | |
| 2 | 2 | 114220-07170 | LABEL, START SWITCH | 1 | | | | | | | | |
| 3 | 2 | 114351-77520 | COUPLER | 1 | | | | | | | | |
| 5 | 2 | 106100-77620 | SWITCH, KEY | 1 | | | | | | | | |
| 6 | 3 | 106100-77630 | KEY, SWITCH | 1 | | | | | | | | |
| 7 | 2 | 114351-77700 | HARNES, WIRE | 1 | | | | | | | | |
| 8 | 3 | 29220-083200 | BULB (12V/3.4W) | 1 | | | | | | | | |

OCC50-M01980 ENGINE
 Fig.23. DYNAMO

OCC50-M01980 Fig.23



(A)=L70V6CA1T1KABR
 (B)=
 (C)=

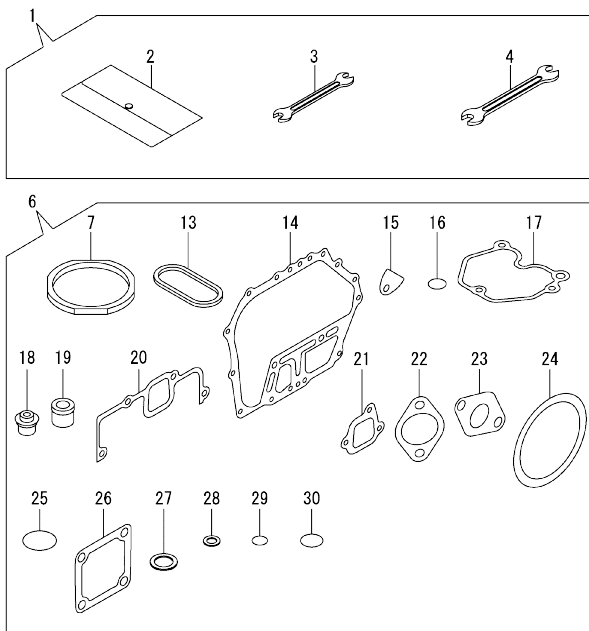
(D)=
 (E)=
 (F)=

| No. | Lev. | Parts No. | Description | Q'ty | | | | | |
|-----|------|--------------|---------------------|------|-----|-----|-----|-----|-----|
| | | | | (A) | (B) | (C) | (D) | (E) | (F) |
| 1 | 1 | 114399-78260 | DYNAMO ASSY | 1 | | | | | |
| 2 | 2 | 114399-78730 | STATOR ASSY | 1 | | | | | |
| 3 | 2 | 114399-78740 | WHEEL, DYNAMO | 1 | | | | | |
| 4 | 1 | 160710-78710 | CLAMP, CORD | 1 | | | | | |
| 5 | 1 | 114210-78800 | SCREW, M6 | 3 | | | | | |
| 6 | 1 | 26106-060122 | BOLT, M6X 12 PLATED | 1 | | | | | |
| 7 | 1 | 26106-060202 | BOLT, M6X 20 PLATED | 3 | | | | | |

Fig.24. GASKET SET & TOOL

(A)=L70V6CA1T1KABR
(B)=
(C)=

(D)=
(E)=
(F)=



| No. | Lev. | Parts No. | Description | Q'ty | | | | | | I | R |
|-----|------|--------------|---------------------|------|-----|-----|-----|-----|-----|---|---|
| | | | | (A) | (B) | (C) | (D) | (E) | (F) | | |
| 1 | 1 | 114299-92590 | TOOL ASSY | 1 | | | | | | | |
| 2 | 2 | 114299-92600 | BAG, TOOL | 1 | | | | | | | |
| 3 | 2 | 114299-92710 | WRENCH | 1 | | | | | | | |
| 4 | 2 | 114299-92720 | WRENCH | 1 | | | | | | | |
| 6 | 1 | 114220-92600 | GASKET SET | 1 | | | | | | | 1 |
| 7 | 2 | 114395-01331 | GASKET, HEAD | 1 | | | | | | | |
| 13 | 2 | 114399-01380 | O-RING, TAPPET | 1 | | | | | | | |
| 14 | 2 | 114399-01410 | GASKET, CASE COVER | 1 | | | | | | | |
| 15 | 2 | 114250-01841 | GASKET, COVER | 1 | | | | | | | |
| 16 | 2 | 114299-01950 | O-RING, 18 | 2 | | | | | | | |
| 17 | 2 | 114210-11310 | GASKET, BONNET | 1 | | | | | | | |
| 18 | 2 | 114350-11341 | SEAL, VALVE STEM | 2 | | | | | | | |
| 19 | 2 | 114771-11461 | GASKET, NOZZLE | 1 | | | | | | | |
| 20 | 2 | 114210-12210 | GASKET, AIR CLEANER | 1 | | | | | | | |
| 21 | 2 | 114299-12210 | GASKET, AIR CLEANER | 2 | | | | | | | |
| 22 | 2 | 114299-12920 | GASKET, AIR CLEANER | 1 | | | | | | | |
| 23 | 2 | 114299-13200 | GASKET, MUFFLER | 1 | | | | | | | |
| 24 | 2 | 114399-21980 | GASKET | 1 | | | | | | | |
| 25 | 2 | 114299-32570 | O-RING, PUMP COVER | 1 | | | | | | | |
| 26 | 2 | 129100-77510 | GASKET, AIR HEATER | 3 | | | | | | | |
| 27 | 2 | 22190-160002 | WASHER, SEAL 16 | 2 | | | | | | | |
| 28 | 2 | 23414-080000 | GASKET, 8X1.0 | 1 | | | | | | | |
| 29 | 2 | 24341-000150 | O-RING, 1AS15.0 | 1 | | | | | | | |
| 30 | 2 | 24341-000224 | O-RING, 1AS22.4 | 1 | | | | | | | |

Remarks

(1)Optional parts.

Parts No. Index

| Parts No. | Fig. No. | Ref. No. |
|--------------|----------|----------|
| 105010-11490 | 4 | 28 |
| 106100-77620 | 22 | 5 |
| 106100-77630 | 22 | 6 |
| 114110-76910 | 16 | 78 |
| 114210-01010 | 1 | 1 |
| 114210-01200 | 4 | 1 |
| 114210-01210 | 4 | 2 |
| 114210-03590 | 4 | 39 |
| 114210-11120 | 4 | 10 |
| 114210-11180 | 4 | 11 |
| 114210-11310 | 4 | 36 |
| | 24 | 17 |
| 114210-11901 | 4 | 30 |
| 114210-11930 | 4 | 12 |
| 114210-11950 | 4 | 37 |
| 114210-12010 | 5 | 4 |
| 114210-12210 | 5 | 1 |
| | 24 | 20 |
| 114210-12560 | 5 | 11 |
| 114210-12590 | 5 | 12 |
| 114210-12600 | 5 | 15 |
| 114210-14200 | 7 | 1 |
| 114210-14300 | 7 | 2 |
| 114210-14400 | 7 | 7 |
| 114210-14580 | 7 | 8 |
| 114210-28050 | 11 | 6 |
| 114210-45150 | 15 | 1 |
| 114210-45260 | 14 | 8 |
| 114210-45270 | 14 | 9 |
| 114210-45310 | 14 | 5 |
| 114210-45320 | 14 | 4 |
| 114210-45350 | 14 | 12 |
| 114210-45360 | 14 | 13 |
| 114210-55220 | 17 | 3 |
| 114210-55230 | 17 | 4 |
| 114210-55810 | 17 | 17 |
| 114210-59800 | 16 | 70 |
| 114210-59850 | 16 | 76 |
| 114210-61290 | 12 | 41 |
| 114210-61500 | 12 | 18 |
| 114210-66010 | 18 | 20 |
| 114210-66060 | 18 | 3 |
| 114210-66100 | 18 | 7 |
| 114210-78800 | 23 | 5 |
| 114211-01450 | 1 | 35 |
| 114211-11020 | 4 | 3 |
| 11421C-11100 | 4 | 8 |
| 11421C-11110 | 4 | 9 |
| 11421C-11250 | 4 | 14 |
| 11421C-11260 | 4 | 15 |

| Parts No. | Fig. No. | Ref. No. |
|--------------|----------|----------|
| 11421C-11650 | 4 | 17 |
| 11421C-11660 | 4 | 21 |
| 11421C-13500 | 6 | 2 |
| 11421C-21830 | 8 | 1 |
| 114220-07100 | 3 | 2 |
| 114220-07110 | 3 | 4 |
| 114220-07120 | 14 | 2 |
| 114220-07130 | 3 | 15 |
| 114220-07160 | 3 | 13 |
| | 18 | 1 |
| 114220-07170 | 22 | 2 |
| 114220-12500 | 5 | 8 |
| 114220-12550 | 5 | 3 |
| 114220-22140 | 10 | 13 |
| 114220-22150 | 10 | 21 |
| 114220-45210 | 14 | 1 |
| 114220-77500 | 22 | 1 |
| 114220-92600 | 24 | 6 |
| 11422C-23700 | 10 | 28 |
| 11422C-55730 | 17 | 8 |
| 114239-55150 | 17 | 14 |
| 114239-59301 | 17 | 25 |
| 114240-11450 | 4 | 26 |
| 114240-11550 | 4 | 27 |
| 114240-22040 | 10 | 11 |
| 114240-22050 | 10 | 19 |
| 114240-55300 | 17 | 6 |
| 114249-53000 | 16 | 29 |
| 114250-01841 | 1 | 27 |
| | 24 | 15 |
| 114250-11240 | 4 | 19 |
| | 23 | |
| 114250-32010 | 12 | 1 |
| 114250-53080 | 16 | 32 |
| 114250-53120 | 16 | 38 |
| 114250-53130 | 16 | 39 |
| 114250-53140 | 16 | 40 |
| 114250-53210 | 16 | 41 |
| 114250-55122 | 17 | 1 |
| 114250-55130 | 17 | 2 |
| 114295-61810 | 18 | 17 |
| 114295-61940 | 18 | 19 |
| 114295-61980 | 18 | 27 |
| 114295-66690 | 18 | 23 |
| 114299-01600 | 1 | 12 |
| 114299-01690 | 2 | 1 |
| 114299-01800 | 1 | 13 |
| 114299-01830 | 1 | 26 |
| 114299-01950 | 2 | 4 |
| | 24 | 16 |

| Parts No. | Fig. No. | Ref. No. |
|--------------|----------|----------|
| 114299-02030 | 1 | 45 |
| 114299-03640 | 4 | 42 |
| 114299-07101 | 3 | 3 |
| 114299-07111 | 3 | 5 |
| 114299-07160 | 3 | 6 |
| 114299-11600 | 4 | 29 |
| 114299-12210 | 24 | 21 |
| 114299-12300 | 5 | 2 |
| 114299-12920 | 24 | 22 |
| 114299-13200 | 6 | 1 |
| | 24 | 23 |
| 114299-13800 | 6 | 13 |
| 114299-21220 | 9 | 1 |
| 114299-21550 | 9 | 2 |
| 114299-32070 | 12 | 7 |
| 114299-32570 | 12 | 8 |
| | 24 | 25 |
| 114299-35110 | 12 | 12 |
| 114299-35150 | 1 | 40 |
| 114299-45220 | 14 | 3 |
| | 7 | |
| 114299-45301 | 15 | 3 |
| 114299-45310 | 15 | 4 |
| 114299-45331 | 15 | 5 |
| 114299-45350 | 15 | 6 |
| 114299-55040 | 17 | 12 |
| 114299-55080 | 17 | 10 |
| 114299-55110 | 17 | 13 |
| 114299-61190 | 12 | 17 |
| 114299-61600 | 12 | 38 |
| 114299-66201 | 18 | 21 |
| 114299-66250 | 18 | 13 |
| 114299-66440 | 18 | 8 |
| 114299-67080 | 18 | 9 |
| 114299-83020 | 16 | 79 |
| 114299-92590 | 24 | 1 |
| 114299-92600 | 24 | 2 |
| 114299-92710 | 24 | 3 |
| 114299-92720 | 24 | 4 |
| 114339-53100 | 16 | 33 |
| 114350-02113 | 1 | 46 |
| 114350-11341 | 4 | 25 |
| | 24 | 18 |
| 114351-77520 | 22 | 3 |
| 114351-77700 | 22 | 7 |
| 114362-77011 | 20 | 1 |
| 114371-77160 | 20 | 7 |
| 114371-77170 | 20 | 13 |
| 114371-77180 | 20 | 14 |
| 114371-79040 | 20 | 8 |

| Parts No. | Fig. No. | Ref. No. |
|--------------|----------|----------|
| 114371-79050 | 20 | 9 |
| 114371-79060 | 20 | 10 |
| 114371-79070 | 20 | 17 |
| 114381-77110 | 20 | 2 |
| 114381-77130 | 20 | 5 |
| 114381-77140 | 20 | 6 |
| 114381-77151 | 20 | 12 |
| 114395-01331 | 1 | 5 |
| | 24 | 7 |
| 114399-01380 | 1 | 11 |
| | 24 | 13 |
| 114399-01410 | 1 | 34 |
| | 24 | 14 |
| 114399-21590 | 9 | 3 |
| 114399-21600 | 9 | 6 |
| 114399-21980 | 24 | 24 |
| 114399-22300 | 10 | 9 |
| 114399-45320 | 14 | 10 |
| 114399-45340 | 14 | 6 |
| | 11 | |
| 114399-76251 | 19 | 2 |
| 114399-76510 | 19 | 3 |
| 114399-76521 | 19 | 4 |
| 114399-76540 | 19 | 7 |
| 114399-76550 | 19 | 8 |
| 114399-76560 | 19 | 9 |
| 114399-76570 | 19 | 10 |
| 114399-76580 | 19 | 11 |
| 114399-76590 | 19 | 14 |
| 114399-76600 | 19 | 6 |
| 114399-76620 | 19 | 12 |
| 114399-76630 | 19 | 13 |
| 114399-77400 | 21 | 3 |
| 114399-77540 | 21 | 4 |
| 114399-77550 | 21 | 1 |
| 114399-77710 | 21 | 6 |
| 114399-78000 | 21 | 5 |
| 114399-78260 | 23 | 1 |
| 114399-78730 | 23 | 2 |
| 114399-78740 | 23 | 3 |
| 114650-59061 | 17 | 27 |
| 114652-59310 | 17 | 29 |
| 114699-01760 | 2 | 2 |
| 114740-55200 | 17 | 15 |
| 114770-61520 | 12 | 37 |
| 114770-61610 | 12 | 39 |
| 114771-11461 | 24 | 19 |
| 114771-61830 | 18 | 18 |
| 114771-66600 | 18 | 22 |
| 114780-59010 | 17 | 22 |

Parts No. Index

| Parts No. | Fig. No. | Ref. No. |
|--------------|----------|----------|
| 114780-59060 | 17 | 23 |
| 114780-61090 | 18 | 25 |
| 114840-02110 | 1 | 38 |
| 114840-02200 | 1 | 42 |
| 114840-02210 | 1 | 43 |
| 114840-23600 | 10 | 33 |
| 114840-23610 | 10 | 35 |
| 114840-23620 | 10 | 37 |
| 114840-23910 | 10 | 39 |
| 118200-23200 | 10 | 32 |
| 119803-53400 | 16 | 42 |
| 121750-59890 | 17 | 30 |
| 124066-59100 | 17 | 28 |
| 124195-77770 | 20 | 16 |
| 124298-77020 | 20 | 15 |
| 124722-59050 | 17 | 26 |
| 129100-77510 | 24 | 26 |
| 160110-02220 | 1 | 47 |
| | | 48 |
| 160710-78710 | 23 | 4 |
| 160725-78350 | 18 | 10 |
| 160842-21150 | 8 | 10 |
| 160842-21250 | 8 | 11 |
| 160842-21260 | 8 | 12 |
| 22117-080000 | 17 | 18 |
| 22190-160002 | 2 | 5 |
| | 24 | 27 |
| 22242-000120 | 4 | 16 |
| 22252-000210 | 10 | 10 |
| 22312-030160 | 4 | 45 |
| | 12 | 9 |
| 22312-040080 | 1 | 28 |
| 22322-030200 | 12 | 30 |
| | | 35 |
| 22351-025005 | 16 | 37 |
| 22351-040008 | 4 | 31 |
| 22451-060000 | 18 | 30 |
| 22512-040120 | 9 | 7 |
| 23080-007000 | 17 | 16 |
| 23080-014000 | 17 | 24 |
| 23414-080000 | 17 | 11 |
| | 24 | 28 |
| 23875-020000 | 1 | 29 |
| 23876-010000 | 13 | 1 |
| 24162-152116 | 1 | 49 |
| 24311-000125 | 17 | 7 |
| 24311-000180 | 18 | 29 |
| 24341-000150 | 24 | 29 |
| 24341-000224 | 12 | 14 |
| | 24 | 30 |

| Parts No. | Fig. No. | Ref. No. |
|--------------|----------|----------|
| 26023-040102 | 21 | 7 |
| 26106-060082 | 14 | 14 |
| | 19 | 15 |
| 26106-060122 | 12 | 10 |
| | 19 | 16 |
| | 21 | 8 |
| | 23 | 6 |
| 26106-060142 | 6 | 8 |
| | 18 | 14 |
| 26106-060162 | 12 | 15 |
| 26106-060202 | 5 | 17 |
| | 14 | 15 |
| | 18 | 15 |
| | 21 | 9 |
| | 23 | 7 |
| 26106-060402 | 4 | 32 |
| 26106-060552 | 4 | 48 |
| 26106-080122 | 1 | 50 |
| 26106-080352 | 1 | 41 |
| 26106-080452 | 17 | 19 |
| 26106-100302 | 20 | 19 |
| 26117-050089 | 18 | 6 |
| 26216-080182 | 6 | 10 |
| 26226-060182 | 1 | 30 |
| 26226-060222 | 1 | 31 |
| 26226-060302 | 5 | 18 |
| 26226-060552 | 4 | 33 |
| 26306-080002 | 6 | 11 |
| 26347-060002 | 18 | 11 |
| 26366-060002 | 1 | 32 |
| | 4 | 34 |
| | 14 | 16 |
| | 17 | 20 |
| 26716-080002 | 20 | 20 |
| 26856-060002 | 4 | 20 |
| | | 24 |
| 26857-060002 | 18 | 12 |
| 29220-083200 | 22 | 8 |
| 714210-22721 | 10 | 1 |
| 714210-28510 | 11 | 1 |
| 714210-61701 | 12 | 40 |
| 714210-66100 | 18 | 2 |
| 714249-51640 | 16 | 1 |
| 714249-53100 | 16 | 28 |
| 714870-22502 | 10 | 3 |
| X2114274200 | 20 | 18 |
| X2114715500 | 20 | 4 |
| X2114811000 | 20 | 3 |
| X211485016 | 20 | 11 |

| Parts No. | Fig. No. | Ref. No. |
|-----------|----------|----------|
|-----------|----------|----------|

| Parts No. | Fig. No. | Ref. No. |
|-----------|----------|----------|
|-----------|----------|----------|