

OCR10-M63000EN

Introduction

1. This parts catalog is a first edition of the L70V6CA1T1AA Diesel engine.

	Parts catalog No.	Date of issue	Remarks
First edition	000Y00R6300	Mar., 2005	

2. This parts catalog does not contain the technical data needed for maintenance service.

3. The illustrations used in this parts catalog have been simplified for clarity.

4. The contents of this parts catalog are subject to change without notice.

5. Be sure to use only Yanmar genuine parts for repairs. If imitation parts are used, it may cause engine defects.

Directions for the Parts Catalog.

1. This Parts Catalog shows both standard and optional parts.
2. Parts may change without prior notice.
3. The following is an example of the Parts Catalog format.

REF.	LEV.	PARTS NO.	DESCRIPTION	Q'TY						I	R
				(A)	(B)	(C)	(D)	(E)	(F)		
1	1	729595-51390	FUEL INJECTION PUMP	1	1	1	1	1			1
1-1	1	729595-51391	FUEL INJECTION PUMP	1	1	1	1	1		N	1
		(A=E00185) (B=E00200)									
3	2	26022-060162	SCREW M 6X 16	9	9	9	9	9			
3-1	2	26022-060162	SCREW M 6X 16	4	4	4	4	4		K	
		(A=E00156) (B=E00156) (C=E00156) (D=E00156) (E=E00156)									
4	2	129470-51040	CAMSHAFT	1	1	1	1	1			
5	2	122710-51050	BEARING, ROLLER	2	2	2	2	2			
6	2	129470-51060	RETAINER	1	1	1	1	1			

Remarks
(1) BOOST COMPEMSATOR TYPE. OPTIONAL PART, TO E00155,(4JH-DT, 4JH-DTZ

① Ref. No.

The Ref. No. listed may not be in accordance with the illustration Ref. No.

(Ex.) Illustration No.

List Ref No.

1 1 (Before change) → 1-1 (After change)

For interchangeable symbols N, R and K, illustrations for new parts may be abbreviated.

② Lev. (Level)

Level indication

The numbers below indicate the level of relativity towards the main part.

1 ---- Main parts (Assembly parts)

2 ---- Sub component included in " 1 ".

3 ---- Sub component included in " 2 ".

Note) Parts that are not for sale are partially illustrated but not listed.

③ Interchangeability Symbol

When a part change takes place, one of the following interchangeability symbols is indicated beside the part.

Symbol	Interchangeability	Contents note
N	Old $\begin{matrix} \leftarrow \text{Yes} \\ \text{No} \rightarrow \end{matrix}$ New	New Part is interchangeable for Old Part but Old Part is not interchangeable for New Part.
Q	Old $\begin{matrix} \leftarrow \text{No} \\ \text{Yes} \rightarrow \end{matrix}$ New	New Part is not interchangeable for Old Part but Old Part is interchangeable for New Part.
R	Old $\begin{matrix} \leftarrow \text{Yes} \\ \text{Yes} \rightarrow \end{matrix}$ New	New/ Old Parts are both interchangeable.
S	Old $\begin{matrix} \leftarrow \text{No} \\ \text{No} \rightarrow \end{matrix}$ New	New/ Old Parts are both not interchangeable.
W		Part newly added.
Z		Part discontinued.
F		Not interchangeable by a single part but interchangeable together with related parts.
K		Changes only for used parts quantities.

④ Effective Machine No.

When a part changes, the effective Machine No. will be indicated in the (A)-(F) column.

Product Symbol	Product No.	Product Symbol	Product No.
C	Clutch No. Compressor No.	F	Machine No. (Agricultural Equip.)
D	Drive No.	M	Machine No.
E	Engine No.		

Note 1) A date may follow the symbol. (Ex.) 1996.01

Note 2) "XXXXX" and "ZZZZZ" are for parts that could not be predicted or for engine models that could not be identified.

Note 3) (A=E00185) is the E (Engine Serial Number) for the column (A) model (in this case 4JH-DT) after the parts design change.

⑤ Remarks

Figures or alphabets (symbols) are entered in the remarks column.

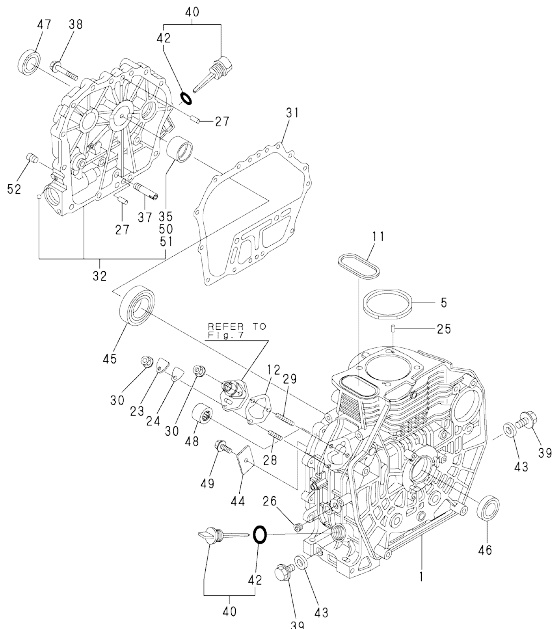
The comments (remarks) on parts that are indicated at the bottom of the illustration are the same symbols as those stated above.

Contents

OCR10-M63000

Fig. No.	Fig. Name	Fig. No.	Fig. Name
L70V6CA1T1AA			
1.	CYLINDER BLOCK		
2.	CYLINDER HEAD & BONNET		
3.	AIR CLEANER & MUFFLER		
4.	CRANKSHAFT,PISTON & CAMSHAFT		
5.	LUB.OIL PUMP & GOVERNOR		
6.	COOLING & STARTING DEVICE		
7.	FUEL INJECTION PUMP & FUEL INJECTION VALVE		
12.	(7A)FUEL INJECTION PUMP & FUEL INJECTION VALVE		
8.	FUEL TANK & FUEL PIPE		
9.	STARTING MOTOR & DYNAMO(PREVIOUS)		
11.	(9A)STARTING MOTOR & DYNAMO(NEW)		
10.	TOOL,LABEL & GASKET SET		

Fig.1. CYLINDER BLOCK



(A)=L70V6CA1T1AA
(B)=
(C)=

(D)=
(E)=
(F)=

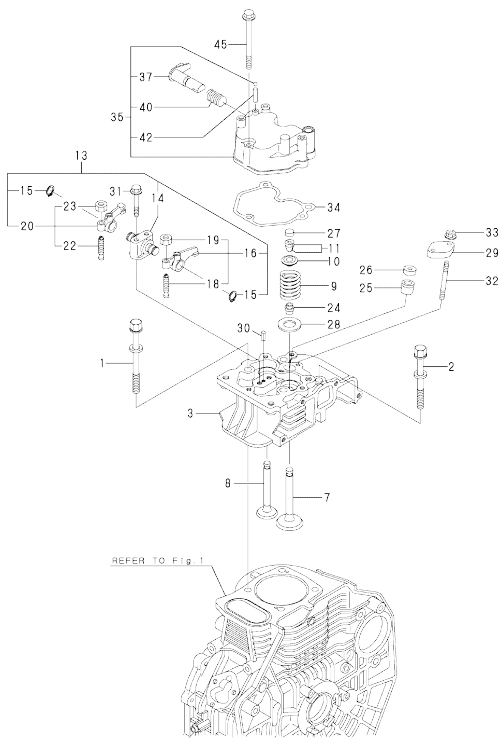
No.	Lev.	Parts No.	Description	Q'ty						I	R
				(A)	(B)	(C)	(D)	(E)	(F)		
1	1	114210-01010	BLOCK ASSY, CYLINDER	1							
5	1	114395-01330	GASKET, HEAD	1							
11	1	114399-01380	O-RING	1							
12	1	114299-01800	SHIM SET	1							
23	1	114299-01830	COVER	1							
24	1	114250-01841	GASKET	1							
25	1	22312-040080	PIN, PARALLEL M4X 8	2							
26	1	23875-020000	PLUG, R02	1							
27	1	114299-01600	PIN, 8X12	2							
28	1	26226-060182	STUD, M6X 18	1							
29	1	26226-060222	STUD, M6X 22	2							
30	1	26366-060002	NUT, M6	3							
31	1	114399-01410	GASKET, CRANK CASE	1							
32	1	114210-01450	COVER(E-D,CRANK CASE	1							
35	2	114350-02100	BEARING, MAIN	1							1
37	1	114299-35150	PIPE, OIL INLET	1							
38	1	26106-080352	BOLT, M8X 35 PLATED	15							
39	1	114299-01690	PLUG M16	2							
40	1	114699-01760	CAP ASSY	2							
42	2	114299-01950	O-RING, 18	2							
43	1	22190-160002	WASHER, SEAL 16	2							
44	1	114299-02030	RETAINER, BEARING	1							
45	1	114350-02113	BEARING, B35-135G3C3	1							
46	1	160110-02220	SEAL, OIL	1							
47	1	160110-02220	SEAL, OIL	1							
48	1	24162-152116	BEARING, 152116	1							
49	1	26106-080122	BOLT, M8X 12 PLATED	1							
50	1	114350-02200	BEARING, 0.25 US	1							2
51	1	114350-02210	BEARING, 0.50 US	1							3
52	1	23876-010000	PLUG, R01	1							

Remarks
 (1)REPAIR PART.
 (2)UNDER SIZED(U.S.=0.25)PART.
 (3)UNDER SIZED(U.S.=0.50)PART.

Fig.2. CYLINDER HEAD & BONNET

(A)=L70V6CA1T1AA
(B)=
(C)=

(D)=
(E)=
(F)=



No.	Lev.	Parts No.	Description	Q'ty						I	R
				(A)	(B)	(C)	(D)	(E)	(F)		
1	1	114210-01200	BOLT, CYL.HEAD A	2							
2	1	114210-01210	BOLT, CYL.HEAD B	2							
3	1	114210-11020	HEAD ASSY, CYLINDER	1							
7	1	114210-11100	VALVE, INTAKE	1							
8	1	114210-11110	VALVE, EXHAUST	1							
9	1	114210-11120	SPRING, VALVE	2							
10	1	114210-11180	RETAINER, SPRING	2							
11	1	114210-11930	COTTER ASSY	2							
13	1	114210-11250	SUPPORT ASSY, ROCKER	1							
14	2	114210-11260	SUPPORT, ROCKER ARM	1							
15	2	114210-11280	C TYPE RETAINING RIN	2							
16	2	114210-11650	ARM ASSY, INTAKE	1							
18	3	114299-11240	SCREW, ADJUSTING	1							
19	3	26856-060002	NUT, M6	1							
20	2	114210-11660	ARM ASSY, EXHAUST	1							
22	3	114299-11240	SCREW, ADJUSTING	1							
23	3	26856-060002	NUT, M6	1							
24	1	114350-11340	SEAL, VALVE STEM	2							
25	1	114771-11461	GASKET, NOZZLE	1							1
26	1	114295-11470	SPACER, NOZZLE	1							1
27	1	105010-11490	CAP, VALVE	2							
28	1	114299-11600	WASHER, VALVE SPRING	2							
29	1	114210-11900	RETAINER, NOZZLE	1							
30	1	22351-040008	PIN, SPRING 4.0X 8	1							
31	1	26106-060402	BOLT, M6X 40 PLATED	2							
32	1	26226-060552	STUD, M6X 55	2							
33	1	26366-060002	NUT, M6	2							
34	1	114210-11310	GASKET, BONNET	1							
35	1	114210-11950	BONNET ASSY, HEAD	1							
37	2	114210-03590	DECOMPRESSION ASSY	1							
40	2	114299-03640	SPRING, DECOMPRESSION	1							
42	2	22312-030160	PIN, PARALLEL M3X16	1							
45	1	26106-060552	BOLT, M6X 55 PLATED	3							

Remarks

(1) This parts is applied up to the following engine number.

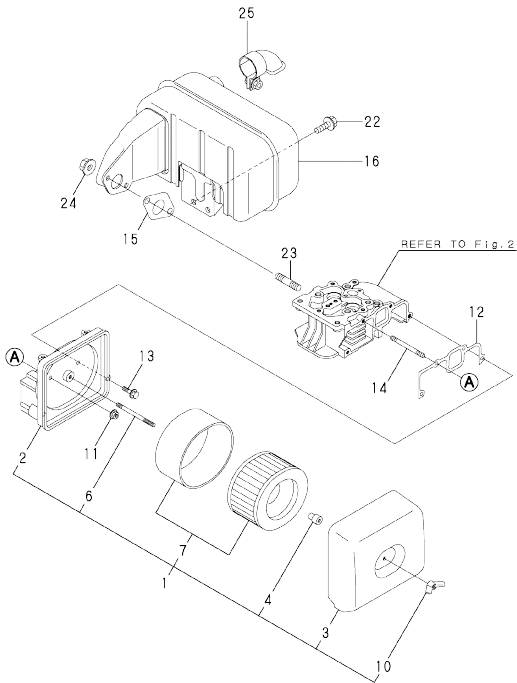
(A)=EM15056

Please refer to Fig.7A since above-mentioned engine number. Interchangeable by simultaneous replacement with Fig.7A No1,27,56,59, 60 when changing to the new model.

Fig.3. AIR CLEANER & MUFFLER

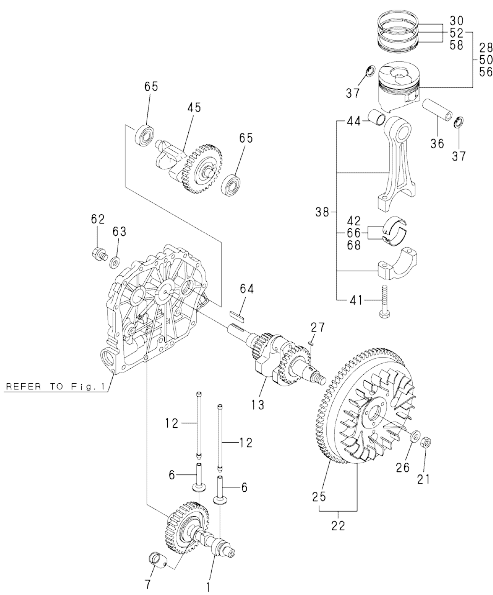
(A)=L70V6CA1T1AA
(B)=
(C)=

(D)=
(E)=
(F)=



No.	Lev.	Parts No.	Description	Q'ty						
				(A)	(B)	(C)	(D)	(E)	(F)	
1	1	114210-12510	CLEANER ASSY, AIR	1						
2	2	114210-12020	BODY, AIR CLEANER	1						
3	2	114210-12520	COVER, AIR CLEANER	1						
4	2	114210-12560	NUT, WING	1						
6	2	114210-12580	STUD BOLT	1						
7	2	114210-12590	ELEMENT ASSY	1						
10	2	114210-12600	LOCKING KNOB	1						
11	1	114299-12300	NUT	3						
12	1	114210-12210	GASKET, AIR CLEANER	1						
13	1	26106-060202	BOLT, M6X 20 PLATED	1						
14	1	26226-060302	STUD, M6X 30	3						
15	1	114299-13200	GASKET, MUFFLER	1						
16	1	114399-13520	MUFFLER ASSY	1						
22	1	26106-060142	BOLT, M6X 14 PLATED	2						
23	1	26216-080182	STUD, M8X 18	2						
24	1	26366-080002	NUT, M8	2						
25	1	114299-13800	EXTENSION ASSY	1						

Fig.4. CRANKSHAFT,PISTON & CAMSHAFT



(A)=L70V6CA1T1AA
(B)=
(C)=

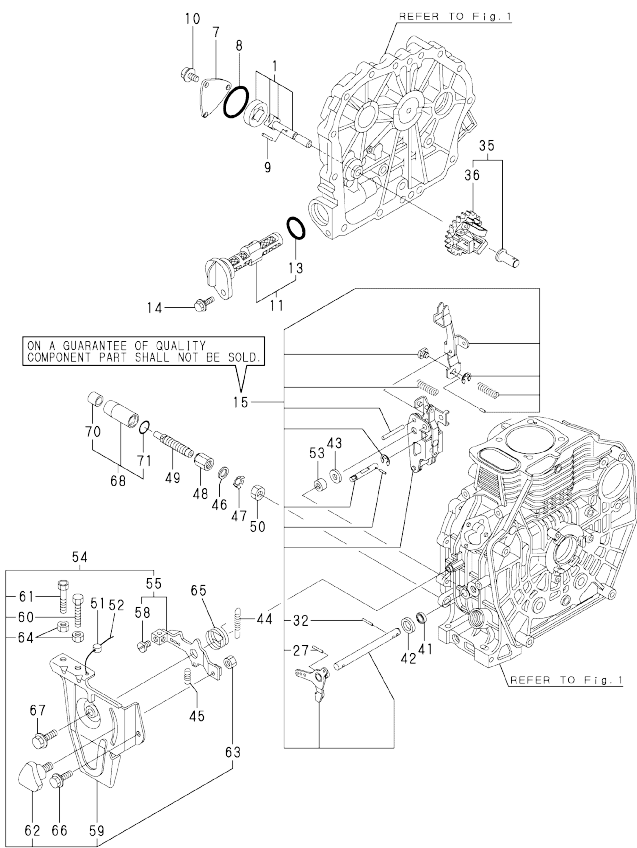
(D)=
(E)=
(F)=

No.	Lev.	Parts No.	Description	Q'ty						I	R
				(A)	(B)	(C)	(D)	(E)	(F)		
1	1	714210-14580	CAMSHAFT ASSY	1							
6	1	114210-14200	TAPPET	2							
7	1	114210-14300	TAPPET ASSY, ROLLER	1							
12	1	114210-14400	ROD ASSY, PUSH	2							
13	1	714210-21700	CRANKSHAFT(E-D ASSY	1							
21	1	114299-21220	NUT	1							
22	1	114399-21590	FLYWHEEL ASSY	1							
25	2	114362-21600	GEAR, RING	1							
26	1	114299-21550	WASHER	1							
27	1	22512-040120	KEY, 4X 12	1							
28	1	714210-22720	PISTON W/RINGS (D	1							
30	2	714870-22502	RING SET, PISTON	1							
36	1	114399-22300	PIN, PISTON D=21	1							
37	1	22252-000210	RING, 21	2							
38	1	714210-23700	ROD ASSY, CONNECTING	1							
41	2	118200-23200	BOLT, CONNECTING ROD	2							
42	2	114210-23600	BEARING, CRANK PIN	1							
44	2	114380-23100	BEARING, PISTON PIN	1							
45	1	714210-28510	SHAFT ASSY, BALANCER	1							
50	1	714210-22620	PISTON W/RING OS=.25	1							1
52	2	714870-22542	RING SET, 0.25 OS	1							1
56	1	714210-22580	PISTON W/RING OS=0,5	1							2
58	2	714870-22552	RING SET, 0.50 OS	1							2
62	1	160842-21250	BOLT, 7/16-20UNF	1							
63	1	160842-21260	WASHER	1							
64	1	160842-21150	KEY, 6.3X50	1							
65	1	24101-062030	BEARING, BALL 6203C3	2							
66	1	114210-23610	BEARING,PIN(U.S.=0.25	1							3
68	1	114210-23620	BEARING,PIN(U.S.=0.50	1							4

Remarks

- (1)OVER SIZED(O.S.=0.25)PART.
- (2)OVER SIZED(O.S.=0.50)PART.
- (3)UNDER SIZED(U.S.=0.25)PART.
- (4)UNDER SIZED(U.S.=0.50)PART.

Fig.5. LUB.OIL PUMP & GOVERNOR



(A)=L70V6CA1T1AA
(B)=
(C)=

(D)=
(E)=
(F)=

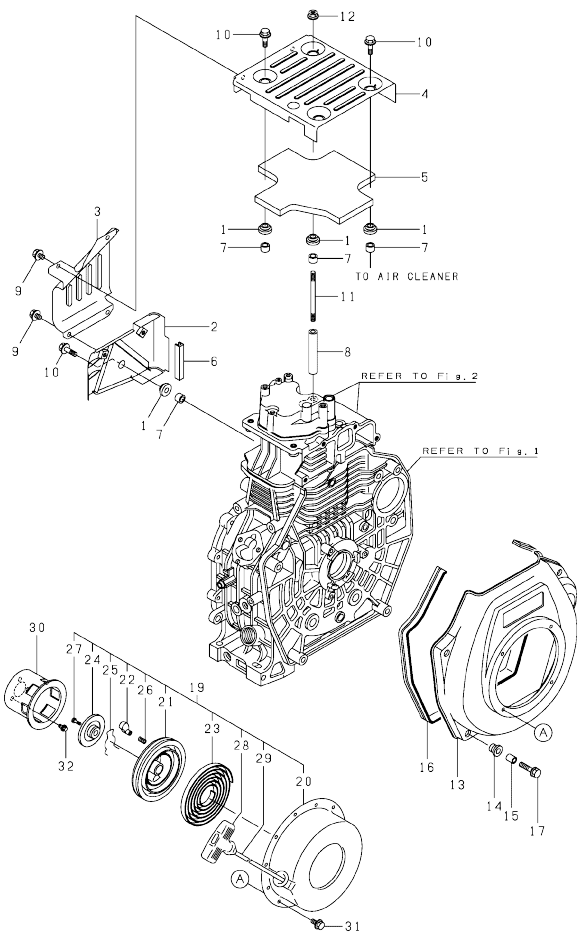
No.	Lev.	Parts No.	Description	Q'ty						I	R
				(A)	(B)	(C)	(D)	(E)	(F)		
1	1	114250-32010	PUMP ASSY, OIL	1							
7	1	114299-32070	COVER	1							
8	1	114299-32570	O-RING	1							
9	1	22312-030160	PIN, PARALLEL M3X16	1							
10	1	26106-060122	BOLT, M6X 12 PLATED	3							
11	1	114299-35110	FILTER ASSY, OIL	1							
13	2	24341-000224	O-RING, 1AS22,4	1							
14	1	26106-060162	BOLT, M6X 16 PLATED	1							
15	1	114210-61500	LEVER ASSY, GOVERNOR	1							
27	2	22322-030200	PIN, TAPER 3X20	1							
32	2	22322-030200	PIN, TAPER 3X20	1							
35	1	714210-61700	GOVERNOR ASSY	1							
36	2	114210-61290	WEIGHT ASSY,GOVERNOR	1							
41	1	114299-61600	SEAL, OIL	1							
42	1	114770-61610	WASHER, THRUST	1							
43	1	114299-61190	WASHER	1							
44	1	114210-66010	SPRING, REGULATOR	1							
45	1	114299-66200	SPRING, RETURN	1							
46	1	114771-61810	WASHER, 14	1							
47	1	114771-61830	PLATE	1							
48	1	114295-61940	NUT	1							
49	1	114771-66600	LIMITER ASSY, FUEL	1							
50	1	114771-66690	NUT, M14	1							
51	1	135210-61090	LEAD	1							
52	1	22451-060000	WIRE, 0,6	1							
53	1	114770-61520	BEARING, NEEDLE	2							
54	1	114210-66500	SPEED CTRL, THAI	1							
55	2	114210-66060	HANDLE ASY,REGULATOR	1							
58	3	26117-050089	BOLT, M5X 8 PLATED	1							
59	2	114210-66100	BRACKET, REGULATOR	1							
60	2	114299-66440	BOLT, ADJUSTING	1							
61	2	114299-67080	BOLT, ADJUSTING	1							
62	2	160725-78350	KNOB	1							
63	2	26347-060002	NUT, M6	1							
64	2	26757-060002	NUT, LOCK M6	2							
65	1	114299-66250	SPRING, RETURN	1							
66	1	26106-060142	BOLT, M6X 14 PLATED	1							
67	1	26106-060202	BOLT, M6X 20 PLATED	1							
68	1	114771-61890	PROTECTOR ASSY	1							
70	2	114771-61960	SPACER	1							
71	2	24311-000180	O-RING, 1AP18,0	1							

N:Old $\frac{100}{100}$ New, Q:Old $\frac{100}{100}$ New, R:Old $\frac{100}{100}$ New, S:Old $\frac{100}{100}$ New, W:Add, Z:Discontinued, F:Interchangeable by set, K:Q'ty Change
Copyright (C) YANMAR GLOBAL CS CO., LTD. All Rights Reserved.

Fig.6. COOLING & STARTING DEVICE

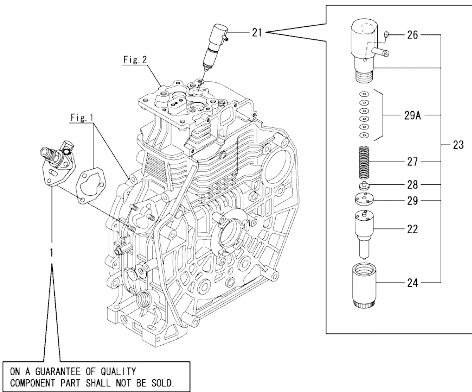
(A)=L70V6CA1T1AA
(B)=
(C)=

(D)=
(E)=
(F)=



No.	Lev.	Parts No.	Description	Q'ty						I	R
				(A)	(B)	(C)	(D)	(E)	(F)		
1	1	114299-45220	GROMMET	5							
2	1	114210-45260	COVER B, SIDE (13)	1							
3	1	114210-45270	COVER A, SIDE (13)	1							
4	1	114210-45300	COVER, TOP(BLACK)(13)	1							
5	1	114210-45310	DAMPER	1							
6	1	114399-45320	RUBBER, SEAL	1							
7	1	114399-45340	COLLAR	5							
8	1	114210-45350	SPACER, TOP COVER	1							
9	1	26106-060082	BOLT, M6X 8 PLATED	4							
10	1	26106-060202	BOLT, M6X 20 PLATED	4							
11	1	26226-060852	STUD, M6X 85	1							
12	1	26366-060002	NUT, M6	1							
13	1	114210-45100	FAN CASE(SILVER)(17)	1							
13-1	1	114210-45150	CASE, COOLING FAN	1							R
(A=EXXXXX)											
14	1	114299-45300	RUBBER, CUSHION	4							
15	1	114299-45310	COLLAR	4							
16	1	114299-45330	SEAL, FAN CASE	1							
17	1	114299-45350	BOLT, FAN CASE	4							
19	1	114399-76250	STARTER ASSY, RECOIL	1							
20	2	114399-76510	CASE, STARTER	1							
21	2	114399-76520	REEL	1							
22	2	114399-76530	RATCHET	1							
23	2	114399-76540	SPRING, SPIRAL	1							
24	2	114399-76550	COVER	1							
25	2	114399-76560	SPRING	1							
26	2	114399-76570	SPRING, RETURN	1							
27	2	114399-76580	SCREW	1							
28	2	114399-76620	KNOB, STARTER	1							
29	2	114399-76630	ROPE, STARTER	1							
30	1	114399-76590	PULLEY, STARTER	1							
31	1	26106-060082	BOLT, M6X 8 PLATED	4							
32	1	26106-060122	BOLT, M6X 12 PLATED	3							

Fig.7. FUEL INJECTION PUMP & FUEL INJECTION VALVE



(A)=L70V6CA1T1AA
(B)=
(C)=

(D)=
(E)=
(F)=

No.	Lev.	Parts No.	Description	Q'ty						I	R
				(A)	(B)	(C)	(D)	(E)	(F)		
1	1	714210-51100	PUMP ASSY. F.INJECT.	1							1
21	1	714210-53100	FUEL INJECTOR	1							1
22	2	114210-53000	NOZZLE ASSY	1							
23	2	114210-53100	HOLDER ASSY,NOZZLE	1							
24	3	114210-53080	NUT,NOZZLE	1							
26	3	114210-53330	PIN	1							
27	3	114210-53120	SPRING,NOZZLE	1							
28	3	114210-53130	SEAT,SPRING	1							
29	3	114210-53140	SPACER ASSY,VALVE	1							
29A	3	114210-53400	SHIM SET	1							W

(A=EXXXXX)

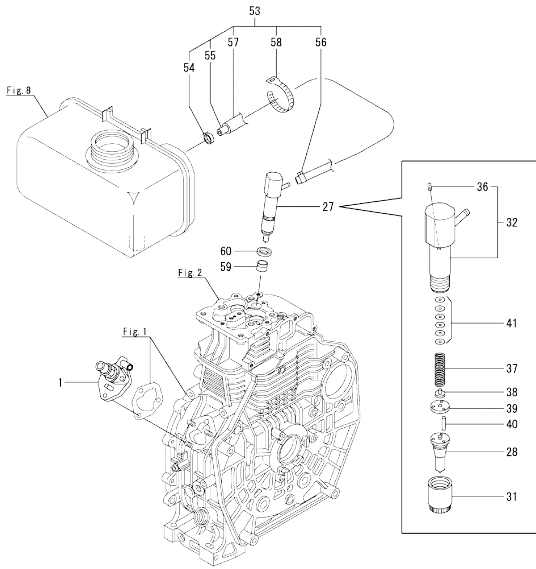
Remarks

(1) This parts is applied up to the following engine number.

(A)=EM15056

Please refer to Fig.7A since above-mentioned engine number. Interchangeable by simultaneous replacement with Fig.7A No1,27,56,59, 60 when changing to the new model.

Fig.12. (7A)FUEL INJECTION PUMP & FUEL INJECTION VALVE



(A)=L70V6CA1T1AA
(B)=
(C)=

(D)=
(E)=
(F)=

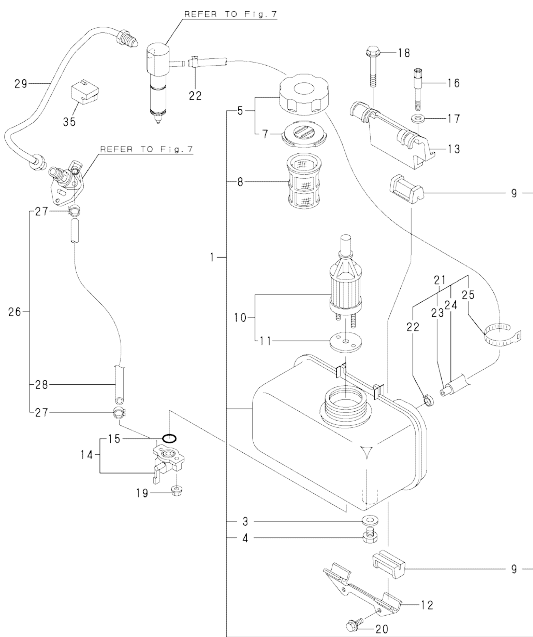
No.	Lev.	Parts No.	Description	Q'ty						I	R	
				(A)	(B)	(C)	(D)	(E)	(F)			
1	1	714249-51400 (A=EM15057)	PUMP ASSY, INJECTION	1							W	1
27	1	714249-53100 (A=EM15057)	VALVE ASSY, INJECTION	1								W
28	2	114249-53000	VALVE ASSY, INJECTION	1								
31	2	114250-53080	NUT, NOZZLE	1								
32	2	114339-53100	HOLDER ASSY, NOZZLE	1								
36	3	22351-025005	PIN, SPRING 2.5X 6	1								
37	2	114250-53120	SPRING, NOZZLE	1								
38	2	114250-53130	SEAT, SPRING	1								
39	2	114250-53140	SPACER, VALVE STOP	1								
40	2	114250-53210	PIN, POSITIONING	2								
41	2	114250-53400	SHIM SET	1								
53	1	114239-59300 (A=EM15057)	PIPE ASSY, RETURN	1								W
53-1	1	114239-59301 (A=EM84197)	PIPE ASSY, FO RETURN	1								N
54	2	124722-59050 (A=EM15057)	CLAMP, HOSE 9	1								W
55	2	114650-59060 (A=EM15057)	PIPE, FUEL RETURN	1								W
55-1	2	114650-59061 (A=EM84197)	PIPE, FO RETURN	1								N
56	2	124066-59100 (A=EM15057)	CLAMP, HOSE 8	1								W
57	2	114652-59310 (A=EM15057)	TUBE, PROTECT	1								W
58	2	121750-59890 (A=EM15057)	BAND, NYLON	1								W
59	1	114240-11450 (A=EM15057)	PROTECTOR, NOZZLE	1								W
60	1	114240-11550 (A=EM15057)	SEAT, NOZZLE	1								W

Remarks
 *Parts of this figure are executed since the following engine number.
 *(A)=EM15057
 *Please refer to Fig.7 before above-mentioned engine number.
 (1)On a guarantee of quality component part shall not be sold.

Fig.8. FUEL TANK & FUEL PIPE

(A)=L70V6CA1T1AA
(B)=
(C)=

(D)=
(E)=
(F)=

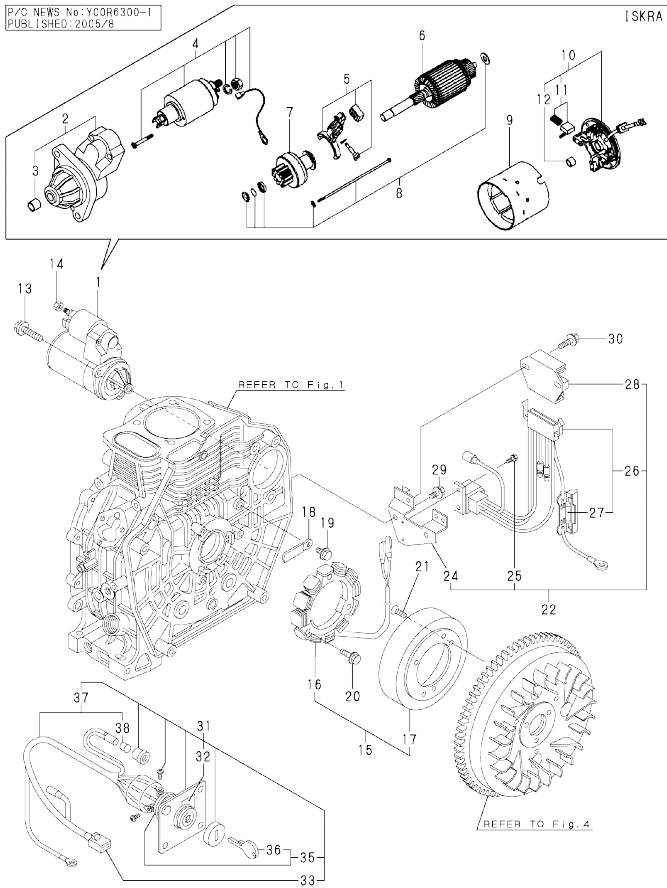


No.	Lev.	Parts No.	Description	Q'ty						I	R
				(A)	(B)	(C)	(D)	(E)	(F)		
1	1	714210-55700	TANK ASSY, FUEL	1							
1-1	1	11422C-55710 (A=EM81656)	TANK ASSY, FUEL	1							N
3	2	23414-080000	GASKET, 8X1.0	1							
4	2	105300-55080	PLUG, M8X1.0	1							
5	2	114288-55041	CAP ASSY, FUEL TANK	1							
5-1	2	114299-55040 (A=EM15040)	CAP ASSY, FUEL TANK	1							N
7	3	114288-55081	VALVE	1							
8	2	114299-55100	ELEMENT, FUEL FILTER	1							
8-1	2	114299-55110 (A=EM89784)	STRAINER, FUEL TANK	1							N
9	2	114250-55201	DAMPER, FUEL TANK	4							
9-1	2	114740-55200 (A=EM81656)	DAMPER, FUEL TANK	4							N
10	1	114250-55121	FILTER ASSY, FUEL	1							
11	2	114250-55130	GASKET	1							
12	1	114210-55210	STAY, FUEL TANK A	1							
13	1	114210-55230	STAY, FUEL TANK B	1							
14	1	114250-55301	COCK ASSY, FUEL	1							
14-1	1	114240-55300	COCK ASSY, FUEL	1							N
15	2	24341-000150 (A=EM15057)	O-RING, 1AS15.0	1							
16	1	114210-55810	BOLT, LIFTING	1							
17	1	22117-080000	WASHER, 8	1							
18	1	26106-080452	BOLT, M8X 45 PLATED	1							
19	1	26366-060002	NUT, M6	2							
20	1	26106-060162	BOLT, M6X 16 PLATED	2							
21	1	114210-59300	PIPE ASSY, RETURN	1							1
21-1	1	114210-59301 (A=EM84197)	PIPE ASSY, FO RETURN	1							N
22	2	124722-59050	CLAMP, HOSE 9	2							
23	2	114650-59060	PIPE, FUEL RETURN	1							
23-1	2	114650-59061 (A=EM84197)	PIPE, FO RETURN	1							N
24	2	114652-59310	TUBE, PROTECT	1							
25	2	121750-59890	BAND, NYLON	1							
26	1	114770-59030	PIPE ASSY, FUEL	1							
26-1	1	114780-59010 (A=EM13441)	PIPE ASSY, FUEL L50	1							N
27	2	114270-59010	CLAMP, HOSE 12	2							
27-1	2	23080-014000 (A=EM13441)	CLAMP, 14	2							N
28	2	114268-59061	PIPE, FUEL L=50	1							
28-1	2	114780-59060 (A=EM13441)	PIPE, FUEL L=50	1							N
29	1	114210-59800	PIPE ASSY, INJECTION	1							
35	1	114210-59850	SUPPORT, PIPE	1							

Remarks

(1) This parts is applied up to the following engine number.
(A)=EM15056
Please refer to Fig.7A since above-mentioned engine number.
Interchangeable by simultaneous replacement with Fig.7A No1.27,56,59, 60 when changing to the new model.

Fig.9. STARTING MOTOR & DYNAMO(PREVIOUS)



(A)=L70V6CA1T1AA
(B)=
(C)=

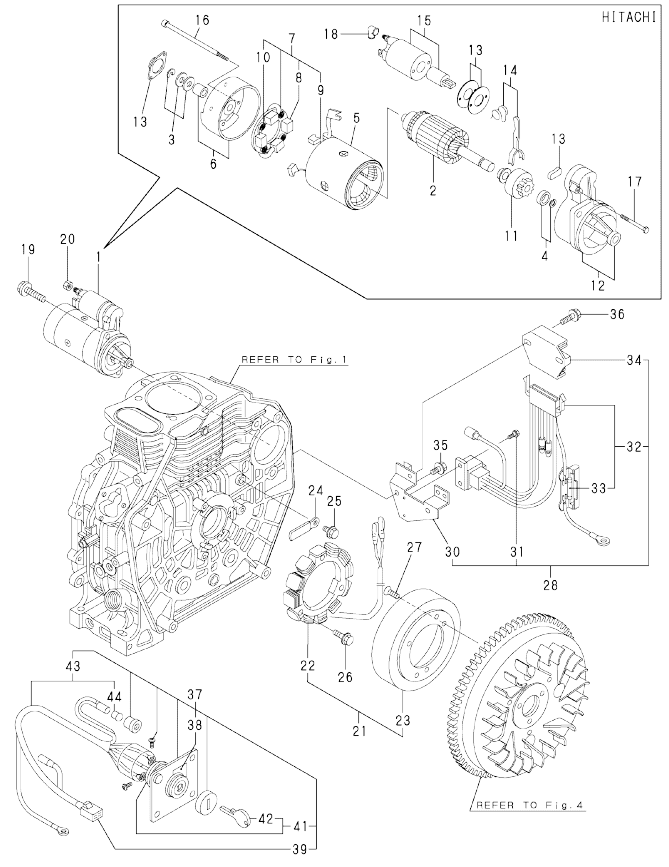
(D)=
(E)=
(F)=

No.	Lev.	Parts No.	Description	Q'ty						I	R
				(A)	(B)	(C)	(D)	(E)	(F)		
1	1	114399-77010	STARTER(ISKRA 12V	1							
2	2	114399-77150	GEAR CASE ASSY	1							
3	3	114399-77030	BUSH	1							
4	2	114399-77060	MAGNETIC SWITCH ASSY	1							
5	2	114399-77180	SHIFT LEVER KIT	1							
6	2	114399-77110	ARMATURE ASSY	1							
7	2	114399-77040	PINION CLUTCH ASSY	1							
8	2	114399-77770	THROUGH BOLT ASSY	1							
9	2	114399-77130	YOKE ASSY	1							
10	2	114399-77140	REAR COVER ASSY	1							
11	3	114399-77160	BRUSH HOLDER ASSY	1							1
12	3	114399-77050	BUSH	1							
13	1	26106-100302	BOLT, M10X 30 PLATED	2							
14	1	26716-080002	NUT, M8	1							
15	1	114399-78260	DYNAMO ASSY	1							
16	2	114399-78730	STATOR ASSY	1							
17	2	114399-78740	WHEEL, DYNAMO	1							
18	1	160710-78710	CLAMP, CORD	1							
19	1	26106-060122	BOLT, M6X 12 PLATED	1							
20	1	26106-060202	BOLT, M6X 20 PLATED	3							
21	1	26577-060142	SCREW M 6X 14	3							
22	1	114399-77550	REG. & HARNESS ASSY	1							
24	3	114399-77400	BRACKET, HARNESS	1							
25	3	26023-040102	SCREW, M4X10	2							
26	3	114399-77540	HARNESS, WIRE	1							
27	4	114399-78000	FUSE,(20A	2							
28	2	114399-77710	REGULATOR	1							
29	1	26106-060122	BOLT, M6X 12 PLATED	2							
30	1	26106-060202	BOLT, M6X 20 PLATED	2							
31	1	114351-77500	PANEL ASSY	1							
32	2	105198-07120	LABEL, START SWITCH	1							
33	2	114351-77520	COUPLER	1							
35	2	106100-77620	SWITCH, KEY	1							
36	3	106100-77630	KEY, SWITCH	1							
37	2	114351-77700	HARNESS, WIRE	1							
38	3	29220-083200	BULB (12V/3.4W)	1							

Remarks
(1)4 PIECE SET

Fig.11. (9A)STARTING MOTOR & DYNAMO(NEW)

P/C NEWS No:Y00F6300-1
PUBLISHED:2005/8



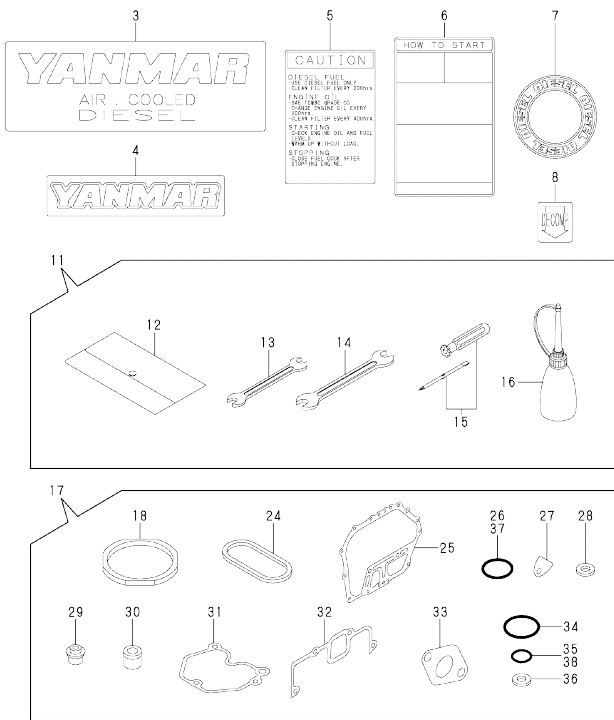
(A)=L70V6CA1T1AA
(B)=
(C)=

(D)=
(E)=
(F)=

No.	Lev.	Parts No.	Description	Q'ty						I	R
				(A)	(B)	(C)	(D)	(E)	(F)		
1	1	114362-77011	STARTER	1							1
2	2	114381-77110	ARMATURE	1							
3	2	X2114811000	WASHER KIT, THRUST	1							
4	2	X2114715500	STOPPER SET, PINION	1							
5	2	114381-77130	COIL ASSY, FIELD	1							
6	2	114381-77140	COVER, REAR	1							
7	2	114371-77160	HOLDER ASSY, BRUSH	1							
8	3	114371-79040	BRUSH (-)	2							
9	3	114371-79050	BRUSH (+)	1							
10	3	114371-79060	SPRING, BRUSH	4							
11	2	X211485016	PINION ASSY	1							
12	2	114381-77151	HOUSING ASSY, GEAR	1							
13	2	114371-77170	COVER KIT, DUST	1							
14	2	114371-77180	LEVER KIT, SHIFT	1							
15	2	124298-77020	SWTCH, MAGNETIC	1							
16	2	124195-77770	THROUGH BOLT	2							
17	2	114371-79070	BOLT M 6X 37	2							
18	2	X2114274200	COVER, TERMINAL	1							
19	1	26106-100302	BOLT, M10X 30 PLATED	2							
20	1	26716-080002	NUT, M8	1							
21	1	114399-78260	DYNAMO ASSY	1							
22	2	114399-78730	STATOR ASSY	1							
23	2	114399-78740	WHEEL, DYNAMO	1							
24	1	160710-78710	CLAMP, CORD	1							
25	1	26106-060122	BOLT, M6X 12 PLATED	1							
26	1	26106-060202	BOLT, M6X 20 PLATED	3							
27	1	26577-060142	SCREW M 6X 14	3							
28	1	114399-77550	REG. & HARNESS ASSY	1							
30	3	114399-77400	BRACKET, HARNESS	1							
31	3	26023-040102	SCREW, M4X10	2							
32	3	114399-77540	HARNESS, WIRE	1							
33	4	114399-78000	FUSE(20A)	2							
34	2	114399-77710	REGULATOR	1							
35	1	26106-060122	BOLT, M6X 12 PLATED	2							
36	1	26106-060202	BOLT, M6X 20 PLATED	2							
37	1	114351-77500	PANEL ASSY	1							
38	2	105198-07120	LABEL, START SWITCH	1							
39	2	114351-77520	COUPLER	1							
41	2	106100-77620	SWTCH, KEY	1							
42	3	106100-77630	KEY, SWITCH	1							
43	2	114351-77700	HARNESS, WIRE	1							
44	3	29220-083200	BULB (12V/3.4W)	1							

Remarks
(1)MAKER CHANGED.

Fig.10. TOOL,LABEL & GASKET SET



(A)=L70V6CA1T1AA
(B)=
(C)=

(D)=
(E)=
(F)=

No.	Lev.	Parts No.	Description	Q'ty						I	R
				(A)	(B)	(C)	(D)	(E)	(F)		
3	1	114299-07100	LABEL, AIR COOLED	1							
4	1	114299-07110	LABEL, YANMAR	1							
5	1	114210-07120	LABEL, CAUTION	1							
6	1	114210-07130	LABEL HOW TO START-E	1							
7	1	114299-07160	LABEL, DIESEL	1							
8	1	114210-07200	LABEL, DECOMPRESSION	1							
11	1	114299-92590	BOX, TOOL	1							
12	2	114299-92600	BAG, TOOL	1							
13	2	114299-92710	WRENCH	1							
14	2	114299-92720	WRENCH	1							
15	2	114299-92730	DRIVER	1							
16	2	114299-92740	DIPSTICK	1							
17	1	714210-92600	GASKET SET	1							1
18	2	114395-01330	GASKET, HEAD	1							
24	2	114399-01380	O-RING	1							
25	2	114399-01410	GASKET, CRANK CASE	1							
26	2	114299-01950	O-RING, 18	2							
27	2	114250-01841	GASKET	1							
28	2	22190-160002	WASHER, SEAL 16	2							
29	2	114350-11340	SEAL, VALVE STEM	2							
30	2	114771-11461	GASKET, NOZZLE	1							
31	2	114210-11310	GASKET, BONNET	1							
32	2	114210-12210	GASKET, AIR CLEANER	1							
33	2	114299-13200	GASKET, MUFFLER	1							
34	2	114299-32570	O-RING	1							
35	2	24341-000100	O-RING, 1AS10.0	1							
36	2	23414-080000	GASKET, 8X1.0	1							
37	2	24341-000224	O-RING, 1AS22.4	1							
38	2	24341-000150	O-RING, 1AS15.0	1							

Remarks
(1)OPTIONAL

Parts No. Index

Parts No.	Fig. No.	Ref. No.
105010-11490	2	27
105198-07120	9	32
	11	38
105300-55080	8	4
106100-77620	9	35
	11	41
106100-77630	9	36
	11	42
114210-01010	1	1
114210-01200	2	1
114210-01210	2	2
114210-01450	1	32
114210-03590	2	37
114210-07120	10	5
114210-07130	10	6
114210-07200	10	8
114210-11020	2	3
114210-11100	2	7
114210-11110	2	8
114210-11120	2	9
114210-11180	2	10
114210-11250	2	13
114210-11260	2	14
114210-11280	2	15
114210-11310	2	34
	10	31
114210-11650	2	16
114210-11660	2	20
114210-11900	2	29
114210-11930	2	11
114210-11950	2	35
114210-12020	3	2
114210-12210	3	12
	10	32
114210-12510	3	1
114210-12520	3	3
114210-12560	3	4
114210-12580	3	6
114210-12590	3	7
114210-12600	3	10
114210-14200	4	6
114210-14300	4	7
114210-14400	4	12
114210-23600	4	42
114210-23610	4	66
114210-23620	4	68
114210-45100	6	13
114210-45150	6	13 -1
114210-45260	6	2
114210-45270	6	3

Parts No.	Fig. No.	Ref. No.
114210-45300	6	4
114210-45310	6	5
114210-45350	6	8
114210-53000	7	22
114210-53080	7	24
114210-53100	7	23
114210-53120	7	27
114210-53130	7	28
114210-53140	7	29
114210-53330	7	26
114210-53400	7	29 A
114210-55210	8	12
114210-55230	8	13
114210-55810	8	16
114210-59300	8	21
114210-59301	8	21 -1
114210-59800	8	29
114210-59850	8	35
114210-61290	5	36
114210-61500	5	15
114210-66010	5	44
114210-66060	5	55
114210-66100	5	59
114210-66500	5	54
11422C-55710	8	1 -1
114239-59300	12	53
114239-59301	12	53 -1
114240-11450	12	59
114240-11550	12	60
114240-55300	8	14 -1
114249-53000	12	28
114250-01841	1	24
	10	27
114250-32010	5	1
114250-53080	12	31
114250-53120	12	37
114250-53130	12	38
114250-53140	12	39
114250-53210	12	40
114250-53400	12	41
114250-55121	8	10
114250-55130	8	11
114250-55201	8	9
114250-55301	8	14
114268-59061	8	28
114270-59010	8	27
114288-55041	8	5
114288-55081	8	7
114295-11470	2	26
114295-61940	5	48

Parts No.	Fig. No.	Ref. No.
114299-01600	1	27
114299-01690	1	39
114299-01800	1	12
114299-01830	1	23
114299-01950	1	42
	10	26
114299-02030	1	44
114299-03640	2	40
114299-07100	10	3
114299-07110	10	4
114299-07160	10	7
114299-11240	2	18
	2	22
114299-11600	2	28
114299-12300	3	11
114299-13200	3	15
	10	33
114299-13800	3	25
114299-21220	4	21
114299-21550	4	26
114299-32070	5	7
114299-32570	5	8
	10	34
114299-35110	5	11
114299-35150	1	37
114299-45220	6	1
114299-45300	6	14
114299-45310	6	15
114299-45330	6	16
114299-45350	6	17
114299-55040	8	5 -1
114299-55100	8	8
114299-55110	8	8 -1
114299-61190	5	43
114299-61600	5	41
114299-66200	5	45
114299-66250	5	65
114299-66440	5	60
114299-67080	5	61
114299-92590	10	11
114299-92600	10	12
114299-92710	10	13
114299-92720	10	14
114299-92730	10	15
114299-92740	10	16
114339-53100	12	32
114350-02100	1	35
114350-02113	1	45
114350-02200	1	50
114350-02210	1	51

Parts No.	Fig. No.	Ref. No.
114350-11340	2	24
	10	29
114351-77500	9	31
	11	37
114351-77520	9	33
	11	39
114351-77700	9	37
	11	43
114362-21600	4	25
114362-77011	11	1
114371-77160	11	7
114371-77170	11	13
114371-77180	11	14
114371-79040	11	8
114371-79050	11	9
114371-79060	11	10
114371-79070	11	17
114380-23100	4	44
114381-77110	11	2
114381-77130	11	5
114381-77140	11	6
114381-77151	11	12
114395-01330	1	5
	10	18
114399-01380	1	11
	10	24
114399-01410	1	31
	10	25
114399-13520	3	16
114399-21590	4	22
114399-22300	4	36
114399-45320	6	6
114399-45340	6	7
114399-76250	6	19
114399-76510	6	20
114399-76520	6	21
114399-76530	6	22
114399-76540	6	23
114399-76550	6	24
114399-76560	6	25
114399-76570	6	26
114399-76580	6	27
114399-76590	6	30
114399-76620	6	28
114399-76630	6	29
114399-77010	9	1
114399-77030	9	3
114399-77040	9	7
114399-77050	9	12
114399-77060	9	4

Parts No. Index

Parts No.	Fig. No.	Ref. No.
114399-77110	9	6
114399-77130	9	9
114399-77140	9	10
114399-77150	9	2
114399-77160	9	11
114399-77180	9	5
114399-77400	9	24
	11	30
114399-77540	9	26
	11	32
114399-77550	9	22
	11	28
114399-77710	9	28
	11	34
114399-77770	9	8
114399-78000	9	27
	11	33
114399-78260	9	15
	11	21
114399-78730	9	16
	11	22
114399-78740	9	17
	11	23
114650-59060	8	23
	12	55
114650-59061	8	23 -1
	12	55 -1
114652-59310	8	24
	12	57
114699-01760	1	40
114740-55200	8	9 -1
114770-59030	8	26
114770-61520	5	53
114770-61610	5	42
114771-11461	2	25
	10	30
114771-61810	5	46
114771-61830	5	47
114771-61890	5	68
114771-61960	5	70
114771-66600	5	49
114771-66690	5	50
114780-59010	8	26 -1
114780-59060	8	28 -1
118200-23200	4	41
121750-59890	8	25
	12	58
124066-59100	12	56
124195-77770	11	16
124298-77020	11	15

Parts No.	Fig. No.	Ref. No.
124722-59050	8	22
	12	54
135210-61090	5	51
160110-02220	1	46
		47
160710-78710	9	18
	11	24
160725-78350	5	62
160842-21150	4	64
160842-21250	4	62
160842-21260	4	63
22117-080000	8	17
22190-160002	1	43
	10	28
22252-000210	4	37
22312-030160	2	42
	5	9
22312-040080	1	25
22322-030200	5	27
		32
22351-025005	12	36
22351-040008	2	30
22451-060000	5	52
22512-040120	4	27
23080-014000	8	27 -1
23414-080000	8	3
	10	36
23875-020000	1	26
23876-010000	1	52
24101-062030	4	65
24162-152116	1	48
24311-000180	5	71
24341-000100	10	35
24341-000150	8	15
	10	38
24341-000224	5	13
	10	37
26023-040102	9	25
	11	31
26106-060082	6	9
		31
	5	10
26106-060122	6	32
	9	19
		29
	11	25
		35
26106-060142	3	22
	5	66
26106-060162	5	14

Parts No.	Fig. No.	Ref. No.
26106-060162	8	20
26106-060202	3	13
	5	67
	6	10
	9	20
		30
	11	26
		36
26106-060402	2	31
26106-060552	2	45
26106-080122	1	49
26106-080352	1	38
26106-080452	8	18
26106-100302	9	13
	11	19
26117-050089	5	58
26216-080182	3	23
26226-060182	1	28
26226-060222	1	29
26226-060302	3	14
26226-060552	2	32
26226-060852	6	11
26347-060002	5	63
26366-060002	1	30
	2	33
	6	12
	8	19
	3	24
26366-080002	9	21
26577-060142	11	27
26716-080002	9	14
	11	20
26757-060002	5	64
26856-060002	2	19
		23
29220-083200	9	38
	11	44
714210-14580	4	1
714210-21700	4	13
714210-22580	4	56
714210-22620	4	50
714210-22720	4	28
714210-23700	4	38
714210-28510	4	45
714210-51100	7	1
714210-53100	7	21
714210-55700	8	1
714210-61700	5	35
714210-92600	10	17
714249-51400	12	1

Parts No.	Fig. No.	Ref. No.
714249-53100	12	27
714870-22502	4	30
714870-22542	4	52
714870-22552	4	58
X2114274200	11	18
X2114715500	11	4
X2114811000	11	3
X211485016	11	11