

0CD11-M12902EN

# P R E F A C E

This parts catalog is the 3rd edition of L70V6-MEME2 for MEIJI AIR COMPRESSOR MFG. CO., LTD.

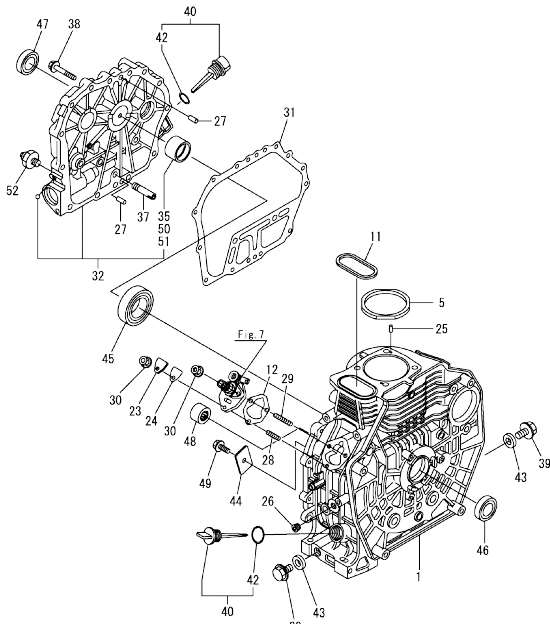
Published : December, 2018

## Contents

0CD11-M12902

Fig. No.	Fig. Name	Fig. No.	Fig. Name
ENGINE			
1.	CYLINDER BLOCK		
2.	CYLINDER HEAD & BONNET		
3.	AIR CLEANER & MUFFLER		
4.	CRANKSHAFT,PISTON & CAMSHAFT		
5.	LUB.OIL PUMP & GOVERNOR		
6.	COOLING & STARTING DEVICE		
7.	F.I.PUMP & F.I.VALVE		
8.	FUEL TANK & FUEL PIPE		
9.	STARTING MOTOR & DYNAMO(TO M15602)		
11.	(9A)STARTING MOTOR & DYNAMO(FROM E15603)		
10.	TOOL,LABEL & GASKET SET		

Fig.1. CYLINDER BLOCK



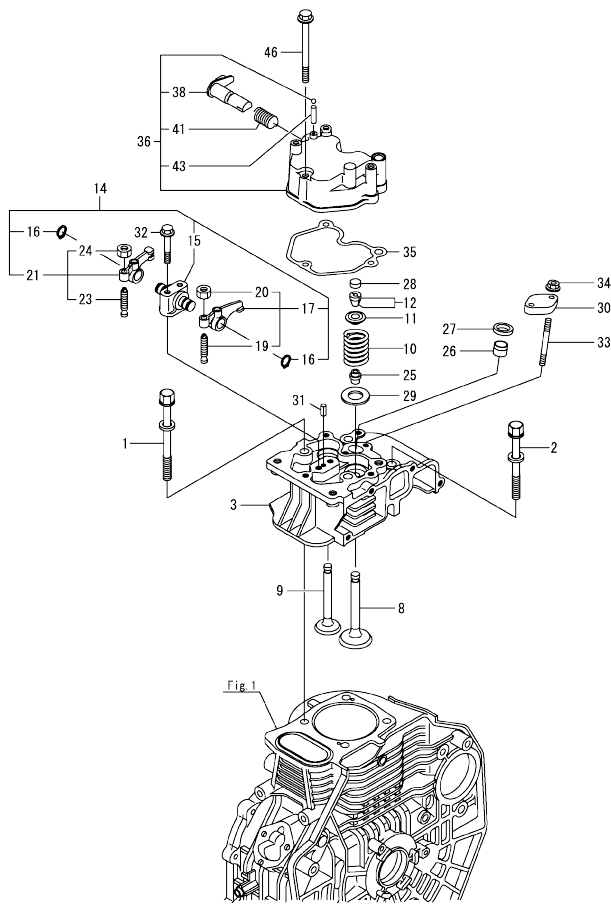
(A)=L70V6-MEME2  
(B)=  
(C)=

(D)=  
(E)=  
(F)=

No.	Lev.	Parts No.	Description	Q'ty						I	R
				(A)	(B)	(C)	(D)	(E)	(F)		
1	1	114210-01010	BLOCK ASSY, CYLINDER	1							
5	1	114395-01331	GASKET, HEAD	1							
11	1	114399-01380	O-RING, TAPPET	1							
12	1	114299-01800	SHIM SET, PUMP	1							
23	1	114299-01830	COVER, PUMP	1							
24	1	114250-01841	GASKET, COVER	1							
25	1	22312-040080	PIN, PARALLEL M4X 8	2							
26	1	23875-020000	PLUG, R02	1							
27	1	114299-01600	PIN, PARALLEL 8X12	2							
28	1	26226-060182	STUD, M6X 18	1							
29	1	26226-060222	STUD, M6X 22	2							
30	1	26366-060002	NUT, M6	3							
31	1	114399-01410	GASKET, CASE COVER	1							
32	1	114210-01460	COVER, CRANK CASE D	1							
35	2	114350-02100	METAL, MAIN	1							1
37	1	114299-35150	PIPE, OIL INLET	1							
38	1	26106-080352	BOLT, M8X 35 PLATED	15							
39	1	114299-01690	PLUG, DRAIN 16	2							
40	1	114699-01760	CAP ASSY, OIL SUPPLY	2							
42	2	114299-01950	O-RING, 18	2							
43	1	22190-160002	WASHER, SEAL 16	2							
44	1	114299-02030	RETAINER, BEARING	1							
45	1	114350-02113	BEARING, B35-135G3C3	1							
46	1	160110-02220	SEAL, OIL 30X45X8	1							
47	1	160110-02220	SEAL, OIL 30X45X8	1							
48	1	24162-152116	BEARING, 152116	1							
49	1	26106-080122	BOLT, M8X 12 PLATED	1							
50	1	114350-02200	METAL, MAIN 0.25 US	1							2
51	1	114350-02210	METAL, MAIN 0.50 US	1							3
52	1	121252-39450	SWITCH, HYDRAULIC	1							

Remarks  
 (1)Spare parts.  
 (2)Under-sized(U.S.=0.25) parts.  
 (3)Under-sized(U.S.=0.50) parts.

Fig.2. CYLINDER HEAD & BONNET

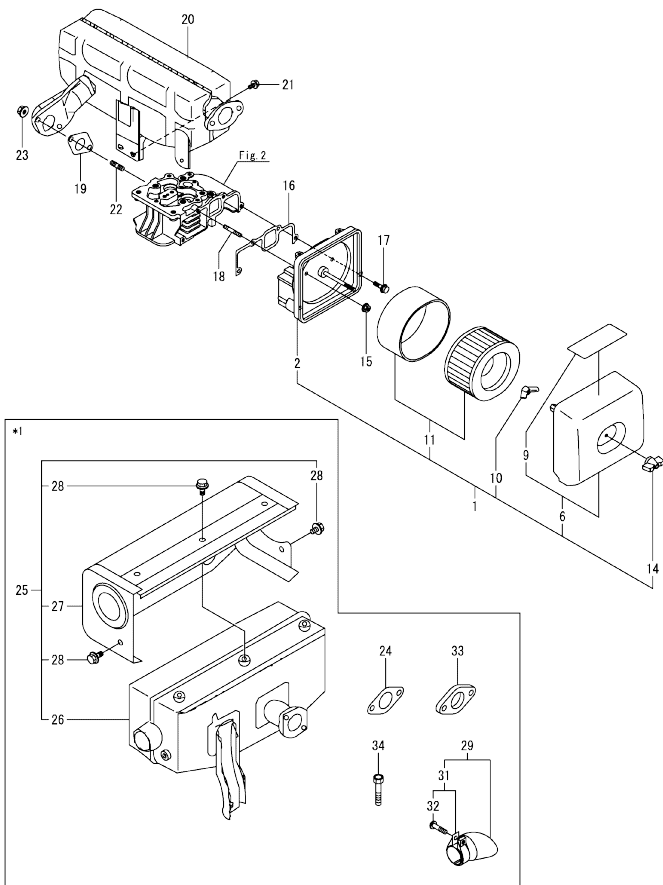


(A)=L70V6-MEME2  
(B)=  
(C)=

(D)=  
(E)=  
(F)=

No.	Lev.	Parts No.	Description	Qty						I	R		
				(A)	(B)	(C)	(D)	(E)	(F)				
1	1	114210-01200	BOLT, HEAD A										
2	1	114210-01210	BOLT, HEAD B										
3	1	114211-11020	HEAD, CYLINDER										
8	1	11421C-11100	VALVE, INTAKE										
9	1	11421C-11110	VALVE, EXHAUST										
10	1	114210-11120	SPRING, VALVE										
11	1	114210-11180	RETAINER, SPRING										
12	1	114210-11930	COTTER ASSY										
14	1	11421C-11250	SUPPORT ASSY, ARM										
15	2	11421C-11260	SUPPORT, ROCKER ARM										
16	2	22242-000120	RING, 12										
17	2	11421C-11650	ARM ASSY, ROCKER										
19	3	114250-11240	SCREW, VALVE ADJUST										
20	3	26856-060002	NUT, M6										
21	2	11421C-11660	ARM ASSY, ROCKER EXH										
23	3	114250-11240	SCREW, VALVE ADJUST										
24	3	26856-060002	NUT, M6										
25	1	114350-11340	SEAL, VALVE STEM										
25-1	1	114350-11341	SEAL, VALVE STEM										N
(A=EM25122)													
26	1	114240-11450	PROTECTOR, NOZZLE										
27	1	114240-11550	SEAT, NOZZLE										
28	1	105010-11490	CAP, VALVE										
29	1	114299-11600	WASHER, VALVE SPRING										
30	1	114210-11901	RETAINER, VALVE										
31	1	22351-040008	PIN, SPRING 4.0X 8										
32	1	26106-060402	BOLT, M6X 40 PLATED										
33	1	26226-060552	STUD, M6X 55										
34	1	26366-060002	NUT, M6										
35	1	114210-11310	GASKET, BONNET										
36	1	114210-11950	BONNET ASSY, HEAD										
38	2	114210-03590	DECOMPRESSION ASSY										
41	2	114299-03640	SPRING, DECOMPRESSION										
43	2	22312-030160	PIN, PARALLEL M3X16										
46	1	26106-060552	BOLT, M6X 55 PLATED										

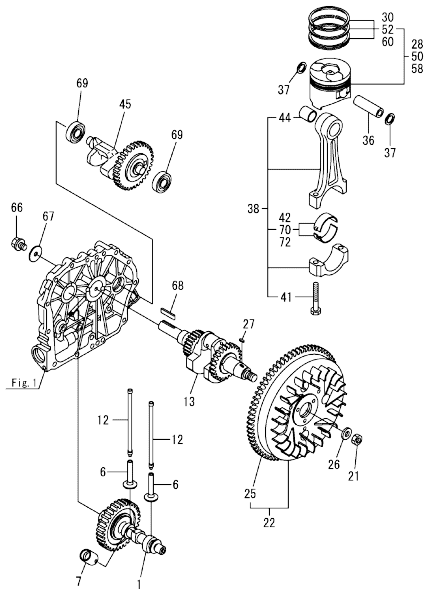
Fig.3. AIR CLEANER & MUFFLER



No.	Lev.	Parts No.	Description	Qty						I	R
				(A)	(B)	(C)	(D)	(E)	(F)		
1	1	114210-12511	CLEANER ASSY, AIR	1							
2	2	114210-12010	BODY ASSY, CLEANER	1							
6	2	114210-12500	COVER ASSY, CLEANER	1							
9	3	114210-12610	LABEL, AIR CLEANER	1							
10	2	114210-12560	NUT, WING	1							
11	2	114210-12590	ELEMENT ASSY	1							
14	2	114210-12600	KNOB	1							
15	1	114299-12300	NUT	3							
16	1	114210-12210	GASKET, AIR CLEANER	1							
17	1	26106-060202	BOLT, M6X 20 PLATED	1							
18	1	26226-060302	STUD, M6X 30	3							
19	1	114299-13200	GASKET, MUFFLER	1							
20	1	114352-13550	MUFFLER, C	1							
21	1	26106-060122	BOLT, M6X 12 PLATED	2							
21-1	1	26106-060142	BOLT, M6X 14 PLATED	2							N
(A=EM67375)											
22	1	26216-080182	STUD, M8X 18	2							
23	1	26366-080002	NUT, M8	2							
23-1	1	26306-080002	NUT, M8	2							N
(A=EM38598)											
24	1	114250-13201	GASKET, MUFFLER	3							
24-1	1	114299-13200	GASKET, MUFFLER	3							N
(A=EM67375)											
25	1	114352-13621	MUFFLER ASSY, M	1							
25-1	1	114352-13623	MUFFLER ASSY	1							N
(A=EM67375)											
26	2	114352-13631	MUFFLER, M	1							
27	2	114352-13722	COVER, MUFFLER M	1							
27-1	2	114249-13710	COVER, MUFFLER	1							R
(A=EM67375)											
28	2	26106-060082	BOLT, M6X 8 PLATED	7							
29	1	114252-13800	PIPE ASSY, EXHAUST	1							Z
(A=EM56770)											
31	2	114252-13910	CLAMP	1							Z
(A=EM56770)											
32	3	114252-13960	SCREW, M6X25	1							Z
(A=EM56770)											
33	1	114252-13900	FLANGE	3							
34	1	102100-67080	BOLT, ADJUSTER	1							
34-1	1	114299-67080	BOLT, ADJUST	1							N
(A=EM67375)											

Remarks  
\*1. Loose parts.

Fig.4. CRANKSHAFT,PISTON & CAMSHAFT

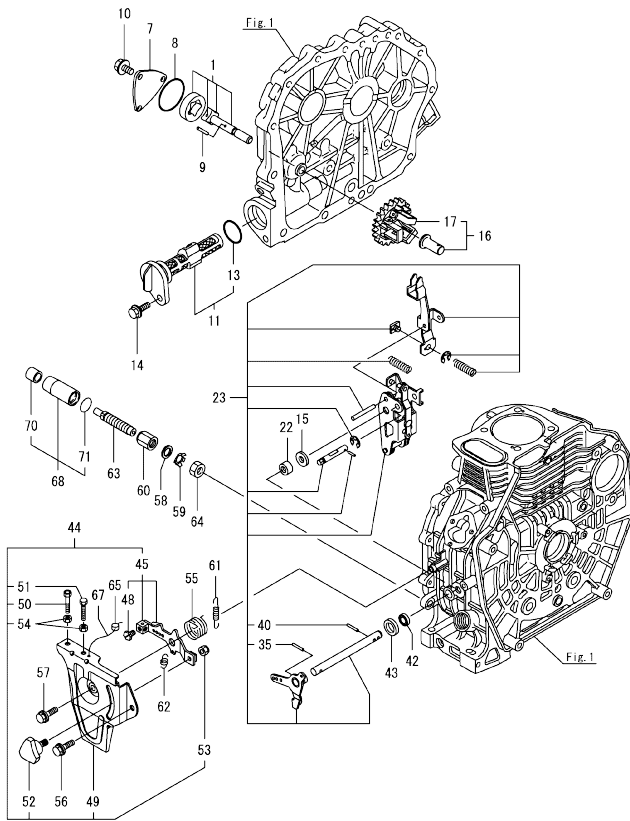


No.	Lev.	Parts No.	Description	Q'ty						I	R
				(A)	(B)	(C)	(D)	(E)	(F)		
1	1	714210-14580	CAMSHAFT ASSY	1							
1-1	1	114210-14580 (A=EM58837)	CAMSHAFT ASSY	1							N
6	1	114210-14200	TAPPET	2							
7	1	114210-14300	TAPPET ASSY, ROLLER	1							
12	1	114210-14400	ROD ASSY, PUSH	2							
13	1	71421C-21010	CRANKSHAFT ASSY	1							
13-1	1	11421C-21810 (A=EM31699)	CRANKSHAFT ASSY, D	1							R
21	1	114299-21220	NUT, WHEEL	1							
22	1	114399-21590	FLYWHEEL ASSY, DE	1							
25	2	114399-21600	GEAR, RING	1							
26	1	114299-21550	WASHER, FLYWHEEL	1							
27	1	22512-040120	KEY, 4X 12	1							
28	1	714210-22721	PISTON ASSY, D	1							
30	2	714870-22502	RING SET, PISTON	1							
36	1	114399-22300	PIN, PISTON D=21	1							
37	1	22252-000210	RING, 21	2							
38	1	71421C-23010	ROD ASSY, CONNECTING	1							
41	2	118200-23200	BOLT, CONNECTING ROD	2							
42	2	114210-23600	METAL ASSY, CRANK PIN	1							
44	2	114380-23100	BEARING, PISTON PIN	1							
45	1	714210-28510	SHAFT ASSY, BALANCER	1							
50	1	114240-22040	PISTON ASSY, 0.25 OS	1							1
52	2	114220-22140	RING SET, PISTON .25	1							1
58	1	114240-22050	PISTON ASSY, 0.50 OS	1							2
60	2	114220-22150	RING SET, PISTON .50	1							2
66	1	26106-080202	BOLT, M8X 20 PLATED	1							
67	1	160310-14550	WASHER, PULLEY	1							
68	1	22512-070360	KEY, 7X 36	1							
69	1	114210-28050	BEARING, 6203	2							
70	1	114210-23610	METAL, CRANK PIN .25	1							3
72	1	114210-23620	METAL, CRANK PIN .50	1							4

Remarks

- (1)Over-sized(O.S.=0.25) parts.
- (2)Over-sized(O.S.=0.50) parts.
- (3)Under-sized(U.S.=0.25) parts.
- (4)Under-sized(U.S.=0.50) parts.

Fig.5. LUB.OIL PUMP & GOVERNOR



(A)=L70V6-MEME2  
(B)=  
(C)=

(D)=  
(E)=  
(F)=

No.	Lev.	Parts No.	Description	Q'ty						I	R
				(A)	(B)	(C)	(D)	(E)	(F)		
1	1	114250-32010	PUMP ASSY, OIL	1							
7	1	114299-32070	COVER, OIL PUMP	1							
8	1	114299-32570	O-RING, PUMP COVER	1							
9	1	22312-030160	PIN, PARALLEL M3X16	1							
10	1	26106-060122	BOLT, M6X 12 PLATED	3							
11	1	114299-35110	FILTER ASSY, OIL	1							
13	2	24341-000224	O-RING, 1AS22.4	1							
14	1	26106-060162	BOLT, M6X 16 PLATED	1							
15	1	114299-61190	WASHER, GOVERNOR	1							
16	1	714210-61701	GOVERNOR ASSY	1							
17	2	114210-61290	WEIGHT ASSY,GOVERNOR	1							
22	1	114770-61520	BEARING, NEEDLE	2							
23	1	114240-61550	LEVER ASSY, GOVERNOR	1							1
35	2	22322-030200	PIN, TAPER 3X20	1							
40	2	22322-030200	PIN, TAPER 3X20	1							
42	1	114299-61600	SEAL, OIL	1							
43	1	114770-61610	WASHER, THRUST	1							
44	1	714210-66100	CONTROL ASSY, SPEED	1							
45	2	114210-66060	HANDLE ASSY	1							
48	3	26117-050089	BOLT, M5X 8 PLATED	1							
49	2	114210-66100	BRACKET, REGULATOR	1							
50	2	114299-66440	BOLT, ADJUSTER	1							
51	2	114299-67080	BOLT, ADJUST	1							
52	2	160725-78350	BOLT, KNOB M6X15	1							
53	2	26347-060002	NUT, M6	1							
54	2	26757-060002	NUT, LOCK M6	2							
54-1	2	26857-060002	NUT, M6	2							R
(A=EM39226)											
55	1	114299-66250	SPRING, RETURN	1							
56	1	26106-060142	BOLT, M6X 14 PLATED	1							
57	1	26106-060202	BOLT, M6X 20 PLATED	1							
58	1	114295-61810	WASHER, PLAIN 14	1							
59	1	114771-61830	PLATE	1							
60	1	114295-61940	NUT, PROTECTOR M14	1							
61	1	114210-66010	SPRING, REGULATOR	1							
62	1	114299-66200	SPRING, RETURN	1							
62-1	1	114299-66201	SPRING, RETURN	1							N
(A=EM37033)											
63	1	114771-66600	LIMITER ASSY, FUEL	1							
64	1	114295-66690	NUT, LOCK M14	1							
65	1	114780-61090	TIN	1							
67	1	22451-060000	WIRE, 0.6	1							
68	1	114295-61990	PROTECTOR CMP	1							
68-1	1	114295-61980	PROTECTOR ASSY	1							N
(A=EM41067)											
70	2	114295-61960	SPACER	1							Z
(A=EM41067)											
71	2	24311-000180	O-RING, 1AP18.0	1							

Remarks

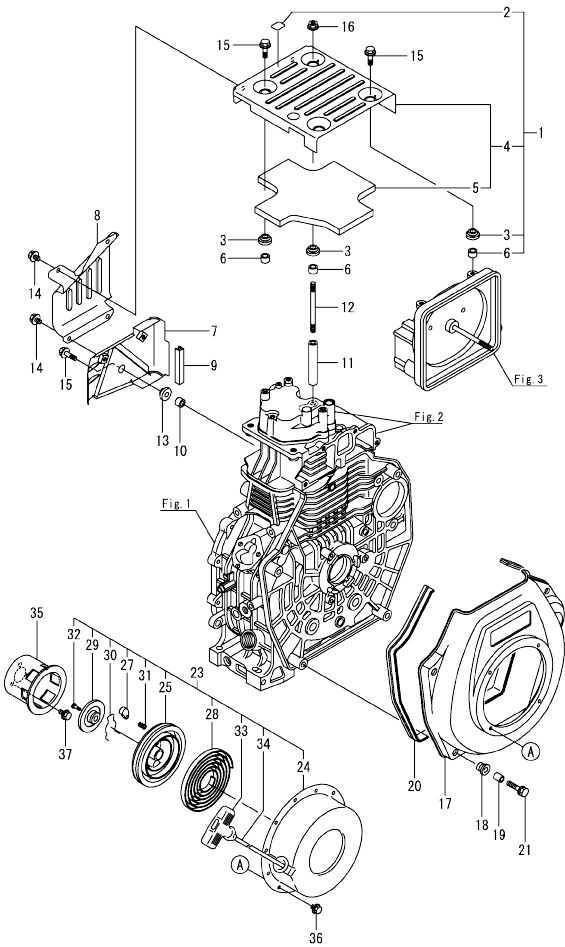
(1)On a guarantee of quality, component parts shall not be sold.



Fig.6. COOLING & STARTING DEVICE

(A)=L70V6-MEME2  
(B)=  
(C)=

(D)=  
(E)=  
(F)=



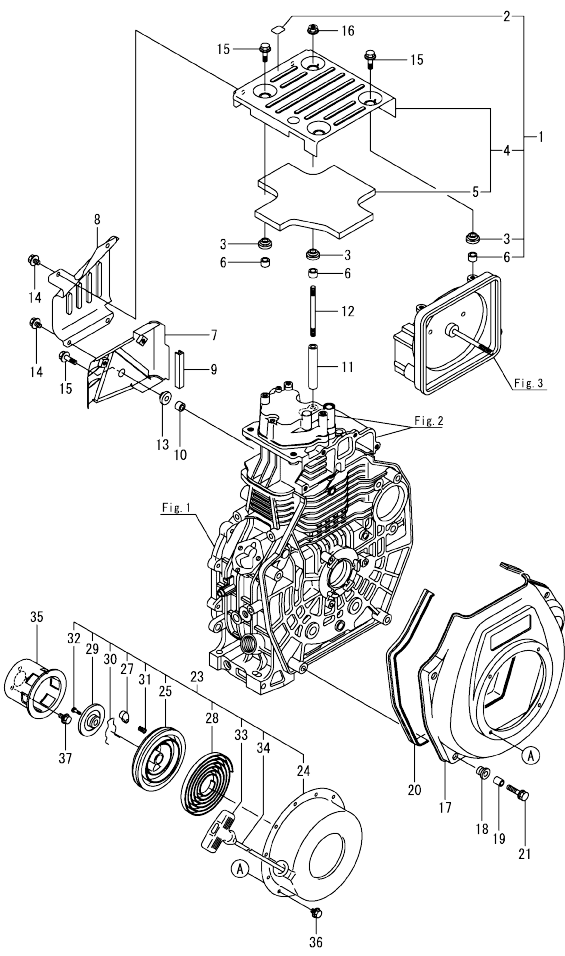
No.	Lev.	Parts No.	Description	Q'ty						I	R
				(A)	(B)	(C)	(D)	(E)	(F)		
1	1	11421C-45200	COVER ASSY	1							
1-1	1	114210-45210	COVER ASSY, TOP	1							R
(A=EM42890)											
2	2	114210-07200	LABEL, DECOMPRESSION	1							
3	2	183720-55210	GROMMET, TANK	4							
3-1	2	114299-45220	GROMMET, TANK	4							R
(A=EM42890)											
4	2	11421C-45300	COVER	1							
4-1	2	114210-45320	COVER, TOP	1							R
(A=EM42890)											
5	3	11421C-45310	INSULATOR, NOISE	1							
5-1	3	114210-45310	ACOUSTIC ABSORBENT	1							R
(A=EM42890)											
6	2	114350-45340	COLLAR, COVER	4							
6-1	2	114399-45340	COLLAR	4							R
(A=EM42890)											
7	1	11421C-45260	COVER	1							
7-1	1	114210-45260	COVER, SIDE B	1							R
(A=EM29618)											
8	1	11421C-45270	COVER	1							
8-1	1	114210-45270	COVER, SIDE A	1							R
(A=EM29618)											
9	1	114399-45320	RUBBER, SEAL	1							
10	1	114399-45340	COLLAR	1							
11	1	114210-45350	SPACER, TOP COVER	1							
12	1	114210-45360	STUD, M6X87	1							
13	1	114299-45220	GROMMET, TANK	1							
14	1	26106-060082	BOLT, M6X 8 PLATED	4							
15	1	26106-060202	BOLT, M6X 20 PLATED	4							
16	1	26366-060002	NUT, M6	1							
17	1	11421C-45100	CASE, COOLING FAN	1							
17-1	1	114210-45150	CASE, COOLING FAN	1							R
(A=EM29618)											
18	1	114299-45301	RUBBER, FAN CASE	4							
19	1	114299-45310	COLLAR, FAN CASE	4							
20	1	114299-45331	SEAL, FAN CASE	1							
21	1	114299-45350	BOLT, FAN CASE	4							
23	1	114399-76251	STARTER ASSY, RECOIL	1							
24	2	114399-76510	CASE, STARTER	1							
25	2	114399-76521	REEL, RECOIL STARTER	1							
27	2	114399-76531	RATCHET	1							
27-1	2	114399-76600	RATCHET	1							R
(A=EM64590)											
28	2	114399-76540	SPRING, SPIRAL	1							
29	2	114399-76550	COVER, RATCHET	1							
30	2	114399-76560	SPRING	1							
31	2	114399-76570	SPRING, RETURN	1							
32	2	114399-76580	SCREW	1							
33	2	114399-76620	KNOB, STARTER	1							
34	2	114399-76630	ROPE, STARTER	1							
35	1	114399-76590	PULLEY, STARTER	1							

N:Old  $\frac{New}{Old}$  New, Q:Old  $\frac{New}{Old}$  New, R:Old  $\frac{New}{Old}$  New, S:Old  $\frac{New}{Old}$  New, W:Add, Z:Discontinued, F:Interchangeable by set, K:Q'ty Change  
 ++ CONTINUE ++  
 Copyright (C) 2018 YANMAR CO., LTD. All Rights Reserved.

Fig.6. COOLING & STARTING DEVICE

(A)=L70V6-MEME2  
(B)=  
(C)=

(D)=  
(E)=  
(F)=

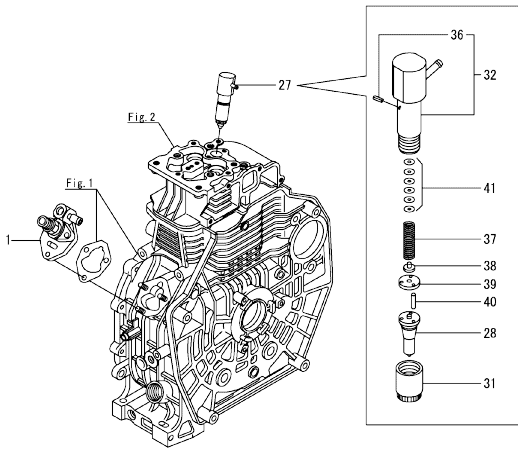


No.	Lev.	Parts No.	Description	Q'ty					
				(A)	(B)	(C)	(D)	(E)	(F)
36	1	26106-060082	BOLT, M6X 8 PLATED	4					
37	1	26106-060122	BOLT, M6X 12 PLATED	3					

Fig.7. F.I.PUMP & F.I.VALVE

(A)=L70V6-MEME2  
(B)=  
(C)=

(D)=  
(E)=  
(F)=



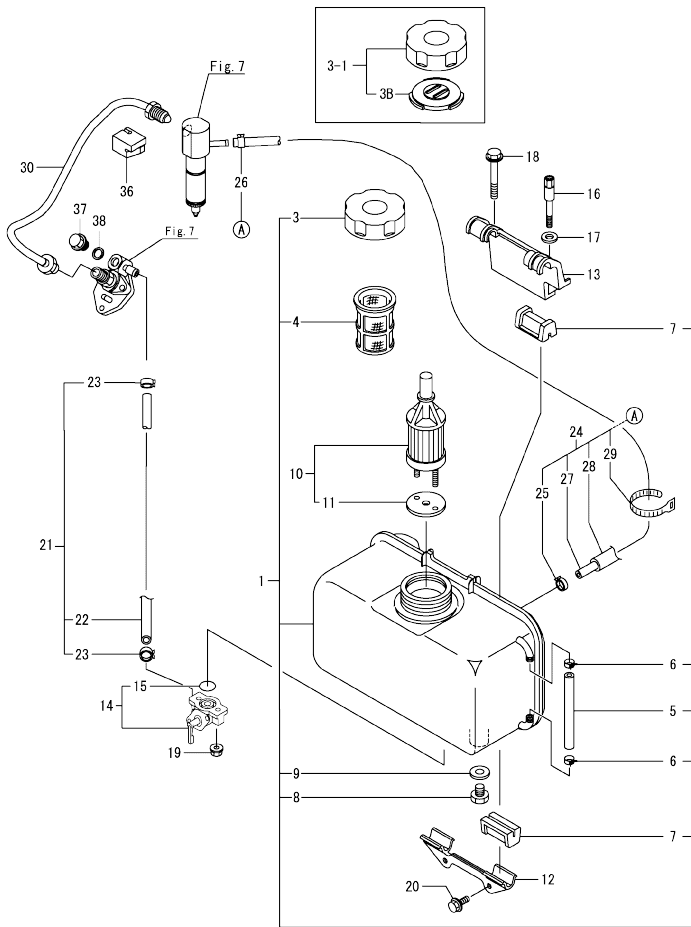
No.	Lev.	Parts No.	Description	Q'ty						I	R
				(A)	(B)	(C)	(D)	(E)	(F)		
1	1	714249-51640	PUMP ASSY, INJECTION	1							1
27	1	714249-53100	VALVE ASSY, INJECTION	1							
28	2	114249-53000	VALVE ASSY, INJECTION	1							
31	2	114250-53080	NUT, NOZZLE	1							
32	2	114339-53100	HOLDER ASSY, NOZZLE	1							
36	3	22351-025005	PIN, SPRING 2.5X 6	1							
37	2	114250-53120	SPRING, NOZZLE	1							
38	2	114250-53130	SEAT, SPRING	1							
39	2	114250-53140	SPACER, VALVE STOP	1							
40	2	114250-53210	PIN, POSITIONING	2							
41	2	114250-53400	SHIM SET	1							
41-1	2	119803-53400	SHIM SET	1							R

(A)=EM37033)

Remarks

(1) On a guarantee of quality, component parts shall not be sold.

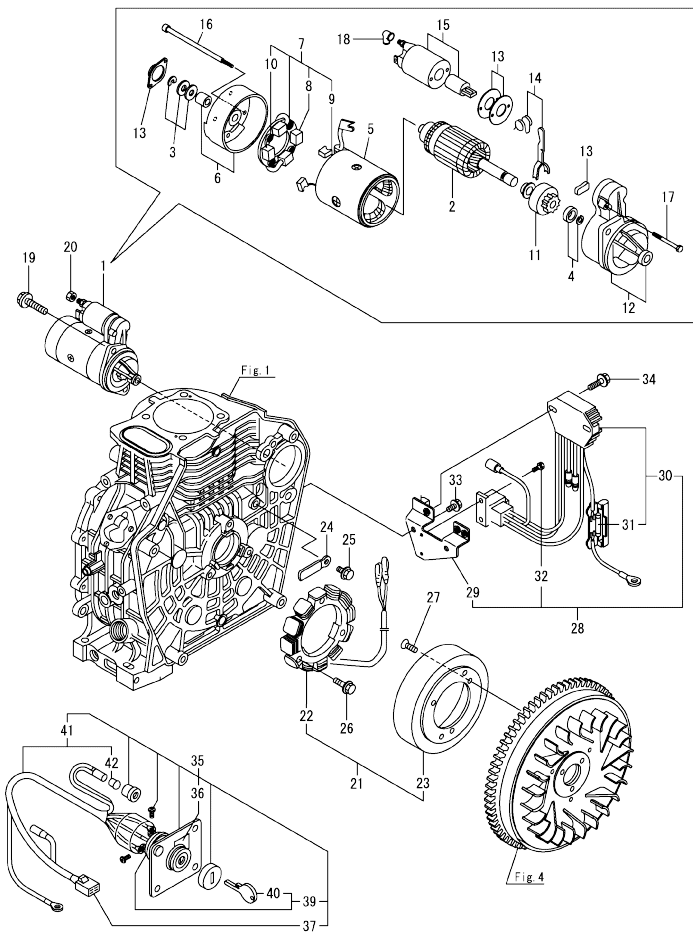
Fig.8. FUEL TANK & FUEL PIPE



No.	Lev.	Parts No.	Description	Qty						I	R
				(A)	(B)	(C)	(D)	(E)	(F)		
1	1	11421C-55730	TANK ASSY, FUEL	1							
1-1	1	11421C-55750 (A=EM66090)	TANK ASSY, FUEL OIL	1							N
3	2	114299-55040	CAP ASSY, FUEL TANK	1							
3-1	2	114288-55041 (A=EM66090)	CAP ASSY, FUEL TANK	1							N
3B	3	114288-55081 (A=EM66090)	VALVE	1							N
4	2	114299-55100	ELEMENT, FUEL FILTER	1							
4-1	2	114299-55110 (A=EM71203)	STRAINER, FUEL TANK	1							N
5	2	114239-55150	GAUGE, OIL LEVEL	1							
6	2	23080-007000	CLAMP, 7	2							
7	2	114250-55201	DAMPER, FUEL TANK	4							
8	2	114299-55080	PLUG, DRAIN	1							
9	2	23414-080000	GASKET, 8X1.0	1							
10	1	114250-55121	FILTER ASSY, FUEL	1							
10-1	1	114250-55122 (A=EM74337)	FILTER ASSY, FUEL OIL	1							N
11	2	114250-55130	GASKET	1							
12	1	114210-55210	STAY, FUEL TANK A	1							
13	1	114210-55230	STAY, FUEL TANK B	1							
14	1	114240-55310	COCK ASSY, FUEL	1							
15	2	24311-000125	O-RING, 1AP12.5	1							
16	1	114210-55810	BOLT, LIFTING	1							
17	1	22117-080000	WASHER, 8	1							
18	1	26106-080452	BOLT, M8X 45 PLATED	1							
19	1	26366-060002	NUT, M6	2							
20	1	26106-060162	BOLT, M6X 16 PLATED	2							
21	1	114780-59010	PIPE ASSY, FUEL L50	1							
22	2	114780-59060	PIPE, FUEL L=50	1							
23	2	23080-014000	CLAMP, 14	2							
24	1	114239-59300	PIPE ASSY, RETURN	1							
24-1	1	114239-59301 (A=2019.03)	PIPE ASSY, FO RETURN	1							N
25	2	124722-59050	CLAMP, HOSE 9	1							
26	2	124066-59100	CLAMP, HOSE 8	1							
27	2	114650-59060	PIPE, FUEL RETURN	1							
27-1	2	114650-59061 (A=2019.03)	PIPE, FO RETURN	1							N
28	2	114652-59310	TUBE, PROTECT	1							
29	2	121750-59890	BAND, NYLON	1							
30	1	114210-59800	PIPE ASSY, INJECTION	1							
36	1	114210-59850	SUPPORT, PIPE	1							
37	1	114310-51900	PLUG, FUEL PUMP	1							
38	1	114299-83010	GASKET, 10	1							
38-1	1	114299-83020 (A=EM22884)	GASKET, 10X1.2	1							N

N:Old  $\frac{New}{Old}$  New, Q:Old  $\frac{New}{Old}$  New, R:Old  $\frac{New}{Old}$  New, S:Old  $\frac{New}{Old}$  New, W:Add, Z:Discontinued, F:Interchangeable by set, K:Qty Change  
Copyright (C) 2018 YANMAR CO., LTD. All Rights Reserved.

Fig.9. STARTING MOTOR & DYNAMO(TO M15602)

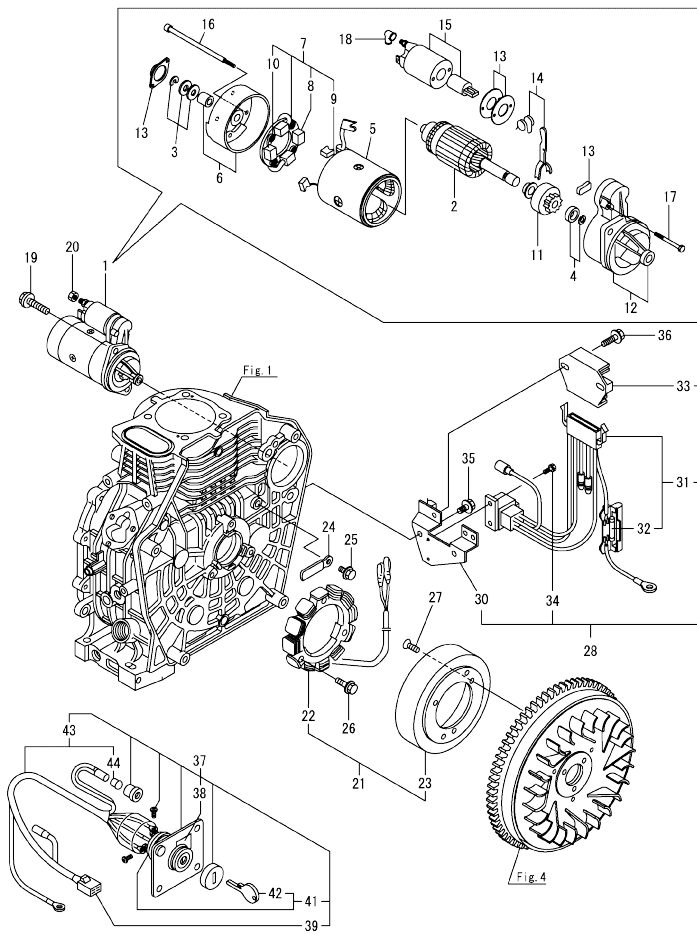


(A)=L70V6-MEME2  
(B)=  
(C)=

(D)=  
(E)=  
(F)=

No.	Lev.	Parts No.	Description	Q'ty						I	R
				(A)	(B)	(C)	(D)	(E)	(F)		
1	1	114362-77011	STARTER ASSY, D	1							
2	2	114381-77110	ARMATURE	1							
3	2	X2114811000	WASHER KIT, THRUST	1							
4	2	X2114715500	STOPPER SET, PINION	1							
5	2	114381-77130	COIL ASSY, FIELD	1							
6	2	114381-77140	COVER	1							
7	2	114371-77160	HOLDER ASSY, BRUSH	1							
8	3	114371-79040	BRUSH, -	2							
9	3	114371-79050	BRUSH SET, +	1							
10	3	114371-79060	SPRING, BRUSH	4							
11	2	X211485016	PINION ASSY	1							
12	2	114381-77151	CASE ASSY, GEAR	1							
13	2	114371-77170	COVER KIT, DUST	1							
14	2	114371-77180	LEVER KIT, SHIFT	1							
15	2	124298-77020	SWITCH, MAGNET	1							
16	2	124195-77770	BOLT, THROUGH	2							
17	2	114371-79070	BOLT, M6	2							
18	2	X2114274200	COVER, TERMINAL	1							
19	1	26106-100302	BOLT, M10X 30 PLATED	2							
20	1	26716-080002	NUT, M8	1							
21	1	114399-78280	DINAMO ASSY, 15A	1							
22	2	114399-78770	STATOR ASSY	1							
23	2	114399-78780	WHEEL, DYNAMO	1							
24	1	160710-78710	CLAMP, CORD	1							
25	1	26106-060122	BOLT, M6X 12 PLATED	1							
26	1	26106-060202	BOLT, M6X 20 PLATED	3							
27	1	26577-060142	SCREW M 6X 14	3							
28	1	114399-77560	REGULATOR ASSY	1							
29	2	114399-77410	BRACKET, HARNESS	1							
30	2	114399-77720	REGULATOR	1							
31	3	114399-78000	FUSE, 20A	1							
32	2	26023-040102	SCREW, M4X10	2							
33	1	26106-060122	BOLT, M6X 12 PLATED	2							
34	1	26106-060202	BOLT, M6X 20 PLATED	2							
35	1	114351-77500	PANEL ASSY, SWITCH	1							
36	2	105198-07120	LABEL, START SWITCH	1							
37	2	114351-77520	COUPLER	1							
39	2	106100-77620	SWITCH, KEY	1							
40	3	106100-77630	KEY, SWITCH	1							
41	2	114351-77700	HARNESS, WIRE	1							
42	3	29220-083200	BULB (12V/3.4W)	1							

Fig.11. (9A)STARTING MOTOR & DYNAMO(FROM E15603)



(A)=L70V6-MEME2  
(B)=  
(C)=

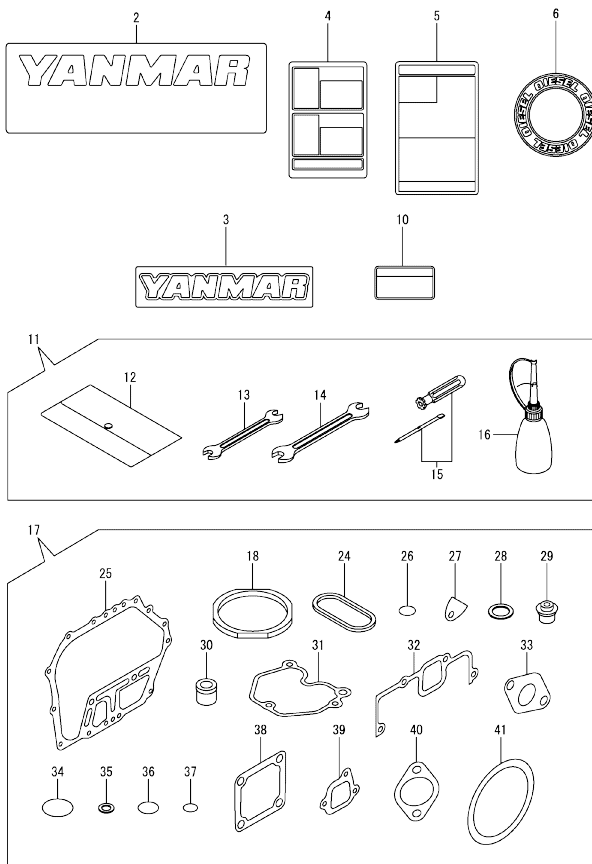
(D)=  
(E)=  
(F)=

No.	Lev.	Parts No.	Description	Q'ty						I	R
				(A)	(B)	(C)	(D)	(E)	(F)		
1	1	114362-77011	STARTER ASSY, D	1							
2	2	114381-77110	ARMATURE	1							
3	2	X2114811000	WASHER KIT, THRUST	1							
4	2	X2114715500	STOPPER SET, PINION	1							
5	2	114381-77130	COIL ASSY, FIELD	1							
6	2	114381-77140	COVER	1							
7	2	114371-77160	HOLDER ASSY, BRUSH	1							
8	3	114371-79040	BRUSH, -	2							
9	3	114371-79050	BRUSH SET, +	1							
10	3	114371-79060	SPRING, BRUSH	4							
11	2	X211485016	PINION ASSY	1							
12	2	114381-77151	CASE ASSY, GEAR	1							
13	2	114371-77170	COVER KIT, DUST	1							
14	2	114371-77180	LEVER KIT, SHIFT	1							
15	2	124298-77020	SWITCH, MAGNET	1							
16	2	124195-77770	BOLT, THROUGH	2							
17	2	114371-79070	BOLT, M6	2							
18	2	X2114274200	COVER, TERMINAL	1							
19	1	26106-100302	BOLT, M10X 30 PLATED	2							
20	1	26716-080002	NUT, M8	1							
21	1	114399-78260	DYNAMO ASSY	1							
22	2	114399-78730	STATOR ASSY	1							
23	2	114399-78740	WHEEL, DYNAMO	1							
24	1	160710-78710	CLAMP, CORD	1							
25	1	26106-060122	BOLT, M6X 12 PLATED	1							
26	1	26106-060202	BOLT, M6X 20 PLATED	3							
27	1	26577-060142	SCREW M 6X 14	3							
27-1	1	114210-78800	SCREW, M6	3							N
(A=EM45425)											
28	1	114399-77550	REGULATOR ASSY	1							
30	3	114399-77400	BRACKET, HARNESS	1							
31	3	114399-77540	HARNESS, WIRE	1							
32	4	114399-78000	FUSE, 20A	1							
33	2	114399-77710	REGULATOR	1							
34	2	26023-040102	SCREW, M4X10	2							
35	1	26106-060122	BOLT, M6X 12 PLATED	2							
36	1	26106-060202	BOLT, M6X 20 PLATED	2							
37	1	114351-77500	PANEL ASSY, SWITCH	1							
38	2	105198-07120	LABEL, START SWITCH	1							
39	2	114351-77520	COUPLER	1							
41	2	106100-77620	SWITCH, KEY	1							
42	3	106100-77630	KEY, SWITCH	1							
43	2	114351-77700	HARNESS, WIRE	1							
44	3	29220-083200	BULB (12V/3.4W)	1							

Fig.10. TOOL,LABEL & GASKET SET

(A)=L70V6-MEME2  
(B)=  
(C)=

(D)=  
(E)=  
(F)=



No.	Lev.	Parts No.	Description	Q'ty						I	R
				(A)	(B)	(C)	(D)	(E)	(F)		
2	1	114299-07100	LABEL, YANMAR MARK A	1							
2-1	1	114299-07101 (A=EM29618)	LABEL, YANMAR MARK A	1							N
3	1	114299-07110	LABEL, YANMAR MARK B	1							
3-1	1	114299-07111 (A=EM29618)	LABEL, YANMAR MARK B	1							N
4	1	114149-07120	LABEL, CAUTION	1							
5	1	114250-07250	LABEL, HOW TO START	1							
6	1	114299-07160	LABEL, DIESEL	1							
10	1	114110-07760	LABEL, FUEL CAUTION	1							
10-1	1	114110-07761 (A=EM20529)	LABEL, FUEL CAUTION	1							N
10-2	1	114110-07761 (A=EM38598)	LABEL, FUEL CAUTION	1							Z
11	1	114299-92590	TOOL ASSY	1							
12	2	114299-92600	BAG, TOOL	1							
13	2	114299-92710	WRENCH	1							
14	2	114299-92720	WRENCH	1							
15	2	114299-92730	DRIVER	1							Z
16	2	114299-92740 (A=EM37033)	FEEDER, OIL	1							Z
17	1	114220-92600 (A=EM37033)	GASKET SET	1							1
18	2	114395-01331	GASKET, HEAD	1							
24	2	114399-01380	O-RING, TAPPET	1							
25	2	114399-01410	GASKET, CASE COVER	1							
26	2	114299-01950	O-RING, 18	2							
27	2	114250-01841	GASKET, COVER	1							
28	2	22190-160002	WASHER, SEAL 16	2							
29	2	114350-11340	SEAL, VALVE STEM	2							
30	2	114771-11461	GASKET, NOZZLE	1							
31	2	114210-11310	GASKET, BONNET	1							
32	2	114210-12210	GASKET, AIR CLEANER	1							
33	2	114299-13200	GASKET, MUFFLER	1							
34	2	114299-32570	O-RING, PUMP COVER	1							
35	2	23414-080000	GASKET, 8X1.0	1							
36	2	24341-000224	O-RING, 1AS22.4	1							
37	2	24341-000150	O-RING, 1AS15.0	1							
38	2	129100-77510	GASKET, AIR HEATER	3							
39	2	114299-12210	GASKET, AIR CLEANER	2							
40	2	114299-12920	GASKET, AIR CLEANER	1							
41	2	114399-21980	GASKET	1							

Remarks

(1)Optional parts.

## Parts No. Index

Parts No.	Fig. No.	Ref. No.
102100-67080	3	34
105010-11490	2	28
105198-07120	9	36
	11	38
106100-77620	9	39
	11	41
106100-77630	9	40
	11	42
114110-07760	10	10
114110-07761	10	10 -1
		10 -2
114149-07120	10	4
114210-01010	1	1
114210-01200	2	1
114210-01210	2	2
114210-01460	1	32
114210-03590	2	38
114210-07200	6	2
114210-11120	2	10
114210-11180	2	11
114210-11310	2	35
	10	31
114210-11901	2	30
114210-11930	2	12
114210-11950	2	36
114210-12010	3	2
114210-12210	3	16
	10	32
114210-12500	3	6
114210-12511	3	1
114210-12560	3	10
114210-12590	3	11
114210-12600	3	14
114210-12610	3	9
114210-14200	4	6
114210-14300	4	7
114210-14400	4	12
114210-14580	4	1 -1
114210-23600	4	42
114210-23610	4	70
114210-23620	4	72
114210-28050	4	69
114210-45150	6	17 -1
114210-45210	6	1 -1
114210-45260	6	7 -1
114210-45270	6	8 -1
114210-45310	6	5 -1
114210-45320	6	4 -1
114210-45350	6	11
114210-45360	6	12

Parts No.	Fig. No.	Ref. No.
114210-55210	8	12
114210-55230	8	13
114210-55810	8	16
114210-59800	8	30
114210-59850	8	36
114210-61290	5	17
114210-66010	5	61
114210-66060	5	45
114210-66100	5	49
114210-78800	11	27 -1
114211-11020	2	3
11421C-11100	2	8
11421C-11110	2	9
11421C-11250	2	14
11421C-11260	2	15
11421C-11650	2	17
11421C-11660	2	21
11421C-21810	4	13 -1
11421C-45100	6	17
11421C-45200	6	1
11421C-45260	6	7
11421C-45270	6	8
11421C-45300	6	4
11421C-45310	6	5
11421C-55730	8	1
11421C-55750	8	1 -1
114220-22140	4	52
114220-22150	4	60
114220-92600	10	17
114239-55150	8	5
114239-59300	8	24
114239-59301	8	24 -1
114240-11450	2	26
114240-11550	2	27
114240-22040	4	50
114240-22050	4	58
114240-55310	8	14
114240-61550	5	23
114249-13710	3	27 -1
114249-53000	7	28
114250-01841	1	24
	10	27
114250-07250	10	5
114250-11240	2	19
		23
114250-13201	3	24
114250-32010	5	1
114250-53080	7	31
114250-53120	7	37
114250-53130	7	38

Parts No.	Fig. No.	Ref. No.
114250-53140	7	39
114250-53210	7	40
114250-53400	7	41
114250-55121	8	10
114250-55122	8	10 -1
114250-55130	8	11
114250-55201	8	7
114252-13800	3	29
114252-13900	3	33
114252-13910	3	31
114252-13960	3	32
114288-55041	8	3 -1
114288-55081	8	3 B
114295-61810	5	58
114295-61940	5	60
114295-61960	5	70
114295-61980	5	68 -1
114295-61990	5	68
114295-66690	5	64
114299-01600	1	27
114299-01690	1	39
114299-01800	1	12
114299-01830	1	23
114299-01950	1	42
	10	26
114299-02030	1	44
114299-03640	2	41
114299-07100	10	2
114299-07101	10	2 -1
114299-07110	10	3
114299-07111	10	3 -1
114299-07160	10	6
114299-11600	2	29
114299-12210	10	39
114299-12300	3	15
114299-12920	10	40
114299-13200	3	19
		24 -1
	10	33
114299-21220	4	21
114299-21550	4	26
114299-32070	5	7
114299-32570	5	8
	10	34
114299-35110	5	11
114299-35150	1	37
114299-45220	6	3 -1
		13
114299-45301	6	18
114299-45310	6	19

Parts No.	Fig. No.	Ref. No.
114299-45331	6	20
114299-45350	6	21
114299-55040	8	3
114299-55080	8	8
114299-55100	8	4
114299-55110	8	4 -1
114299-61190	5	15
114299-61600	5	42
114299-66200	5	62
114299-66201	5	62 -1
114299-66250	5	55
114299-66440	5	50
114299-67080	3	34 -1
	5	51
114299-83010	8	38
114299-83020	8	38 -1
114299-92590	10	11
114299-92600	10	12
114299-92710	10	13
114299-92720	10	14
114299-92730	10	15
114299-92740	10	16
114310-51900	8	37
114339-53100	7	32
114350-02100	1	35
114350-02113	1	45
114350-02200	1	50
114350-02210	1	51
114350-11340	2	25
	10	29
114350-11341	2	25 -1
114350-45340	6	6
114351-77500	9	35
	11	37
114351-77520	9	37
	11	39
114351-77700	9	41
	11	43
114352-13550	3	20
114352-13621	3	25
114352-13623	3	25 -1
114352-13631	3	26
114352-13722	3	27
114362-77011	9	1
	11	1
114371-77160	9	7
	11	7
114371-77170	9	13
	11	13
114371-77180	9	14



## Parts No. Index

Parts No.	Fig. No.	Ref. No.
114371-77180	11	14
114371-79040	9	8
	11	8
114371-79050	9	9
	11	9
114371-79060	9	10
	11	10
114371-79070	9	17
	11	17
114380-23100	4	44
114381-77110	9	2
	11	2
114381-77130	9	5
	11	5
114381-77140	9	6
	11	6
114381-77151	9	12
	11	12
114395-01331	1	5
	10	18
114399-01380	1	11
	10	24
114399-01410	1	31
	10	25
114399-21590	4	22
114399-21600	4	25
114399-21980	10	41
114399-22300	4	36
114399-45320	6	9
114399-45340	6	6 -1
	10	
114399-76251	6	23
114399-76510	6	24
114399-76521	6	25
114399-76531	6	27
114399-76540	6	28
114399-76550	6	29
114399-76560	6	30
114399-76570	6	31
114399-76580	6	32
114399-76590	6	35
114399-76600	6	27 -1
114399-76620	6	33
114399-76630	6	34
114399-77400	11	30
114399-77410	9	29
114399-77540	11	31
114399-77550	11	28
114399-77560	9	28
114399-77710	11	33

Parts No.	Fig. No.	Ref. No.
114399-77720	9	30
114399-78000	9	31
	11	32
114399-78260	11	21
114399-78280	9	21
114399-78730	11	22
114399-78740	11	23
114399-78770	9	22
114399-78780	9	23
114650-59060	8	27
114650-59061	8	27 -1
114652-59310	8	28
114699-01760	1	40
114770-61520	5	22
114770-61610	5	43
114771-11461	10	30
114771-61830	5	59
114771-66600	5	63
114780-59010	8	21
114780-59060	8	22
114780-61090	5	65
118200-23200	4	41
119803-53400	7	41 -1
121252-39450	1	52
121750-59890	8	29
124066-59100	8	26
124195-77770	9	16
	11	16
124298-77020	9	15
	11	15
124722-59050	8	25
129100-77510	10	38
160110-02220	1	46
		47
160310-14550	4	67
160710-78710	9	24
	11	24
160725-78350	5	52
183720-55210	6	3
22117-080000	8	17
22190-160002	1	43
	10	28
22242-000120	2	16
22252-000210	4	37
22312-030160	2	43
	5	9
22312-040080	1	25
22322-030200	5	35
		40
22351-025005	7	36

Parts No.	Fig. No.	Ref. No.
22351-040008	2	31
22451-060000	5	67
22512-040120	4	27
22512-070360	4	68
23080-007000	8	6
23080-014000	8	23
23414-080000	8	9
	10	35
23875-020000	1	26
24162-152116	1	48
24311-000125	8	15
24311-000180	5	71
24341-000150	10	37
24341-000224	5	13
	10	36
26023-040102	9	32
	11	34
26106-060082	3	28
	6	14
		36
26106-060122	3	21
	5	10
	6	37
	9	25
	33	
	11	25
		35
26106-060142	3	21 -1
	5	56
26106-060162	5	14
	8	20
26106-060202	3	17
	5	57
	6	15
	9	26
		34
	11	26
		36
26106-060402	2	32
26106-060552	2	46
26106-080122	1	49
26106-080202	4	66
26106-080352	1	38
26106-080452	8	18
26106-100302	9	19
	11	19
26117-050089	5	48
26216-080182	3	22
26226-060182	1	28
26226-060222	1	29

Parts No.	Fig. No.	Ref. No.
26226-060302	3	18
26226-060552	2	33
26306-080002	3	23 -1
26347-060002	5	53
26366-060002	1	30
	2	34
	6	16
	8	19
26366-080002	3	23
26577-060142	9	27
	11	27
26716-080002	9	20
	11	20
26757-060002	5	54
26856-060002	2	20
		24
26857-060002	5	54 -1
29220-083200	9	42
	11	44
714210-14580	4	1
714210-22721	4	28
714210-28510	4	45
714210-61701	5	16
714210-66100	5	44
71421C-21010	4	13
71421C-23010	4	38
714249-51640	7	1
714249-53100	7	27
714870-22502	4	30
X2114274200	9	18
	11	18
X2114715500	9	4
	11	4
X2114811000	9	3
	11	3
X211485016	9	11
	11	11