

0CC50-M02440EN

P R E F A C E

This parts catalog is the 1st edition of L70V6CA1F1AABR for EP BARRUS.

Published : October, 2019

Contents

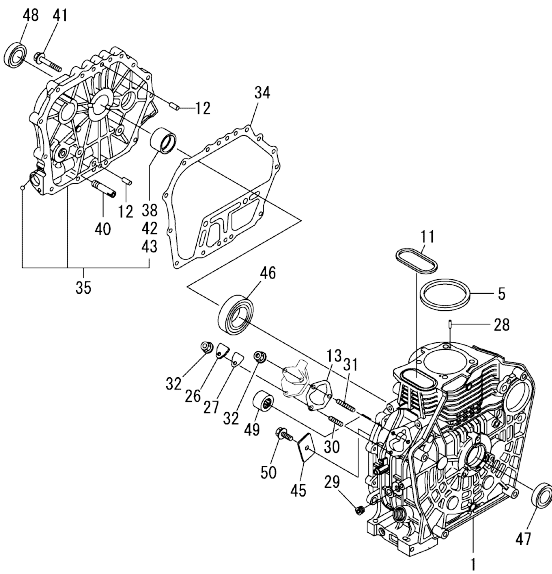
0CC50-M02440

Fig. No.	Fig. Name	Fig. No.	Fig. Name
ENGINE			
1.	CYLINDER BLOCK		
2.	DRAIN PLUG		
3.	LABEL		
4.	CYLINDER HEAD & BONNET		
5.	AIR CLEANER		
6.	EXHAUST MUFFLER		
7.	CAMSHAFT		
8.	CRANKSHAFT		
9.	FLYWHEEL		
10.	PISTON & CONNECTING ROD		
11.	BALANCER SHAFT		
12.	LUB. OIL PUMP & GOVERNOR		
13.	SWITCH(OIL PRESSURE)		
14.	COVER		
15.	COOLING FAN CASE		
16.	FUEL INJECTION PUMP & FUEL INJECTION VALVE		
17.	FUEL TANK & FUEL PIPE		
18.	CONTROL DEVICE		
19.	RECOIL STARTER		
20.	STARTER MOTOR		
21.	ELECTRIC PARTS		
22.	KEY SWITCH		
23.	DYNAMO		
24.	GASKET SET & TOOL		

Fig.1. CYLINDER BLOCK

(A)=L70V6CA1F1AABR
(B)=
(C)=

(D)=
(E)=
(F)=

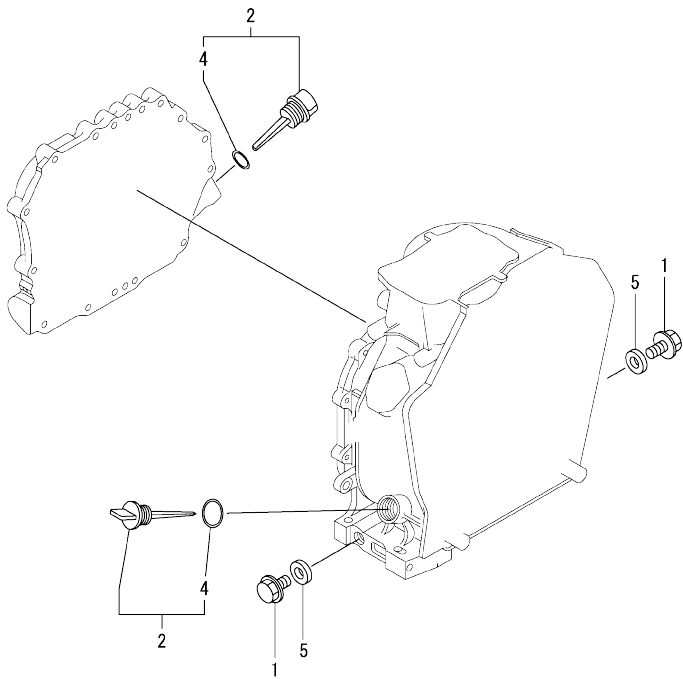


No.	Lev.	Parts No.	Description	Q'ty						I	R
				(A)	(B)	(C)	(D)	(E)	(F)		
1	1	114210-01010	BLOCK ASSY, CYLINDER	1							
5	1	114395-01331	GASKET, HEAD	1							
11	1	114399-01380	O-RING, TAPPET	1							
12	1	114299-01600	PIN, PARALLEL 8X12	2							
13	1	114299-01800	SHIM SET, PUMP	1							
26	1	114299-01830	COVER, PUMP	1							
27	1	114250-01841	GASKET, COVER	1							
28	1	22312-040080	PIN, PARALLEL M4X 8	2							
29	1	23875-020000	PLUG, R02	1							
30	1	26226-060182	STUD, M6X 18	1							
31	1	26226-060222	STUD, M6X 22	2							
32	1	26366-060002	NUT, M6	3							
34	1	114399-01410	GASKET, CASE COVER	1							
35	1	114211-01450	COVER, CRANK CASE	1							
38	2	114840-02110	BEARING, MAIN	1							1
40	1	114299-35150	PIPE, OIL INLET	1							
41	1	26106-080352	BOLT, M8X 35 PLATED	15							
42	1	114840-02200	BEARING, MAIN 0.25OS	1							2
43	1	114840-02210	BEARING, MAIN 0.50OS	1							3
45	1	114299-02030	RETAINER, BEARING	1							
46	1	114350-02113	BEARING, B35-135G3C3	1							
47	1	160110-02220	SEAL, OIL 30X45X8	1							
48	1	160110-02220	SEAL, OIL 30X45X8	1							
49	1	24162-152116	BEARING, 152116	1							
50	1	26106-080122	BOLT, M8X 12 PLATED	1							

Remarks

- (1) Spare parts.
- (2) Over-sized (O.S.=0.25) parts.
- (3) Over-sized (O.S.=0.50) parts.

OCC50-M02440 ENGINE
 Fig.2. DRAIN PLUG



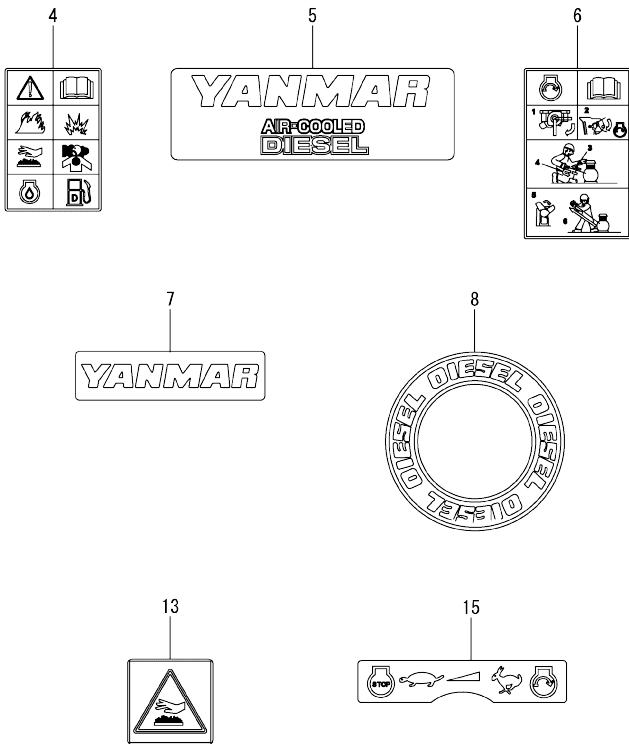
OCC50-M02440 Fig.2

(A)=L70V6CA1F1AABR
 (B)=
 (C)=

(D)=
 (E)=
 (F)=

No.	Lev.	Parts No.	Description	Q'ty					
				(A)	(B)	(C)	(D)	(E)	(F)
1	1	114299-01690	PLUG, DRAIN 16	2					
2	1	114699-01760	CAP ASSY, OIL SUPPLY	2					
4	2	114299-01950	O-RING, 18	2					
5	1	22190-160002	WASHER, SEAL 16	2					

Fig.3. LABEL

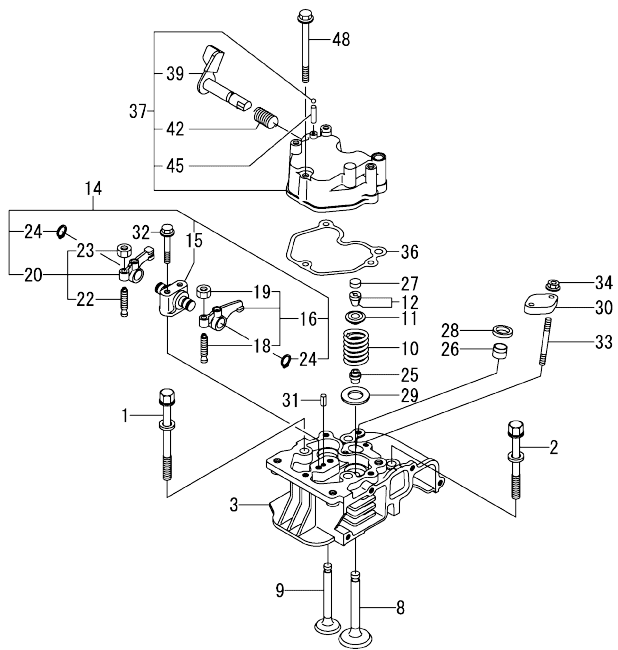


(A)=L70V6CA1F1AABR
(B)=
(C)=

(D)=
(E)=
(F)=

No.	Lev.	Parts No.	Description	Q'ty					
				(A)	(B)	(C)	(D)	(E)	(F)
4	1	114220-07100	LABEL, CAUTION	1					
5	1	114299-07101	LABEL, YANMAR MARK A	1					
6	1	114220-07110	LABEL, HOW TO START	1					
7	1	114299-07111	LABEL, YANMAR MARK B	1					
8	1	114299-07160	LABEL, DIESEL	1					
13	1	114220-07130	LABEL, HOT SURFACE	1					
15	1	114220-07140	LABEL, CONTROL	1					

Fig.4. CYLINDER HEAD & BONNET

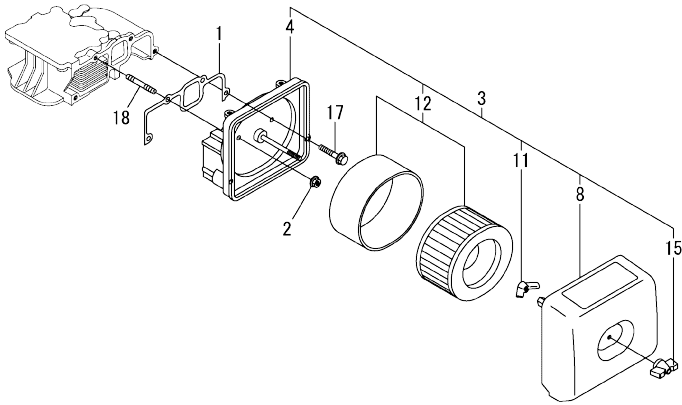


(A)=L70V6CA1F1AABR
(B)=
(C)=

(D)=
(E)=
(F)=

No.	Lev.	Parts No.	Description	Q'ty						I	R
				(A)	(B)	(C)	(D)	(E)	(F)		
1	1	114210-01200	BOLT, HEAD A		2						
2	1	114210-01210	BOLT, HEAD B		2						
3	1	114211-11020	HEAD, CYLINDER	1							
8	1	11421C-11100	VALVE, INTAKE		1						
9	1	11421C-11110	VALVE, EXHAUST		1						
10	1	114210-11120	SPRING, VALVE		2						
11	1	114210-11180	RETAINER, SPRING		2						
12	1	114210-11930	COTTER ASSY		2						
14	1	11421C-11250	SUPPORT ASSY, ARM		1						
15	2	11421C-11260	SUPPORT, ROCKER ARM		1						
16	2	11421C-11650	ARM ASSY, ROCKER		1						
18	3	114250-11240	SCREW, VALVE ADJUST		1						
19	3	26856-060002	NUT, M6		1						
20	2	11421C-11660	ARM ASSY, ROCKER EXH		1						
22	3	114250-11240	SCREW, VALVE ADJUST		1						
23	3	26856-060002	NUT, M6		1						
24	2	22242-000120	RING, 12		2						
25	1	114350-11341	SEAL, VALVE STEM		2						
26	1	114240-11450	PROTECTOR, NOZZLE		1						
27	1	105010-11490	CAP, VALVE		2						
28	1	114240-11550	SEAT, NOZZLE		1						
29	1	114299-11600	WASHER, VALVE SPRING		2						
30	1	114210-11901	RETAINER, VALVE		1						
31	1	22351-040008	PIN, SPRING 4.0X 8		1						
32	1	26106-060402	BOLT, M6X 40 PLATED		2						
33	1	26226-060552	STUD, M6X 55		2						
34	1	26366-060002	NUT, M6		2						
36	1	114210-11310	GASKET, BONNET		1						
37	1	114210-11950	BONNET ASSY, HEAD		1						
39	2	114210-03590	DECOMPRESSION ASSY		1						
42	2	114299-03640	SPRING, DECOMPRESSION		1						
45	2	22312-030160	PIN, PARALLEL M3X16		1						
48	1	26106-060552	BOLT, M6X 55 PLATED		3						

Fig.5. AIR CLEANER

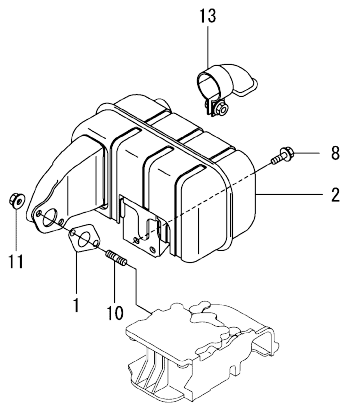


(A)=L70V6CA1F1AABR
(B)=
(C)=

(D)=
(E)=
(F)=

No.	Lev.	Parts No.	Description	Q'ty					
				(A)	(B)	(C)	(D)	(E)	(F)
1	1	114210-12210	GASKET, AIR CLEANER	1					
2	1	114299-12300	NUT	3					
3	1	114220-12550	CLEANER ASSY, AIR	1					
4	2	114210-12010	BODY ASSY, CLEANER	1					
8	2	114220-12500	COVER ASSY, CLEANER	1					
11	2	114210-12560	NUT, WING	1					
12	2	114210-12590	ELEMENT ASSY	1					
15	2	114210-12600	KNOB	1					
17	1	26106-060202	BOLT, M6X 20 PLATED	1					
18	1	26226-060302	STUD, M6X 30	3					

Fig.6. EXHAUST MUFFLER

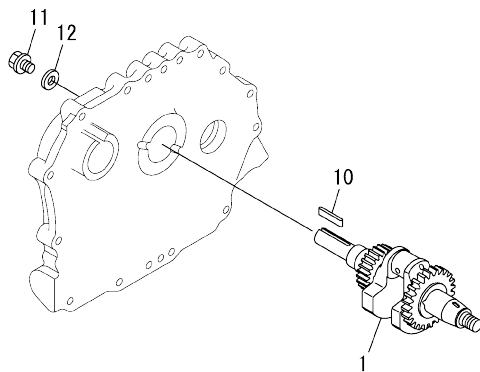


(A)=L70V6CA1F1AABR
(B)=
(C)=

(D)=
(E)=
(F)=

No.	Lev.	Parts No.	Description	Q'ty						I	R
				(A)	(B)	(C)	(D)	(E)	(F)		
1	1	114299-13200	GASKET, MUFFLER	1							
2	1	11421C-13500	MUFFLER ASSY	1							
8	1	26106-060142	BOLT, M6X 14 PLATED	2							
10	1	26216-080182	STUD, M8X 18	2							
11	1	26306-080002	NUT, M8	2							
13	1	114299-13800	EXTENSION ASSY	1							

Fig.8. CRANKSHAFT

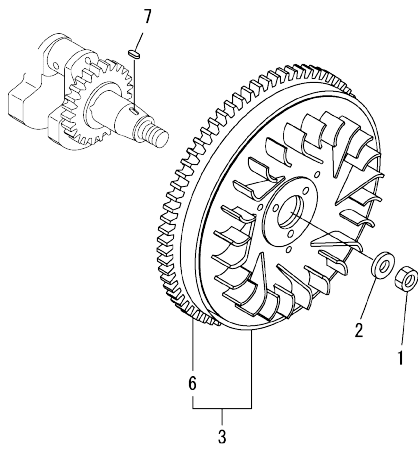


(A)=L70V6CA1F1AABR
(B)=
(C)=

(D)=
(E)=
(F)=

No.	Lev.	Parts No.	Description	Q'ty					
				(A)	(B)	(C)	(D)	(E)	(F)
1	1	11421C-21830	CRANKSHAFT ASSY, E-D	1					
10	1	160842-21150	KEY, FEATHER 6.3X50	1					
11	1	160842-21250	BOLT, 7/16-20UNF	1					
12	1	160842-21260	WASHER, PULLEY	1					

OCC50-M02440 ENGINE
 Fig.9. FLYWHEEL



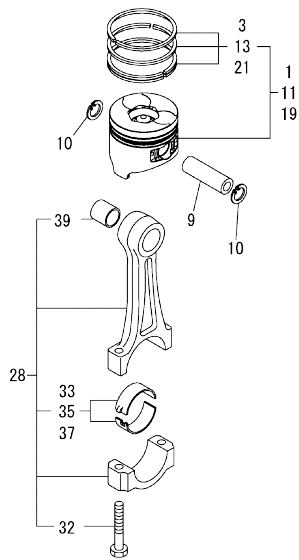
OCC50-M02440 Fig.9

(A)=L70V6CA1F1AABR
 (B)=
 (C)=

(D)=
 (E)=
 (F)=

No.	Lev.	Parts No.	Description	Q'ty					
				(A)	(B)	(C)	(D)	(E)	(F)
1	1	114299-21220	NUT, WHEEL	1					
2	1	114299-21550	WASHER, FLYWHEEL	1					
3	1	114399-21590	FLYWHEEL ASSY, DE	1					
6	2	114399-21600	GEAR, RING	1					
7	1	22512-040120	KEY, 4X 12	1					

Fig.10. PISTON & CONNECTING ROD



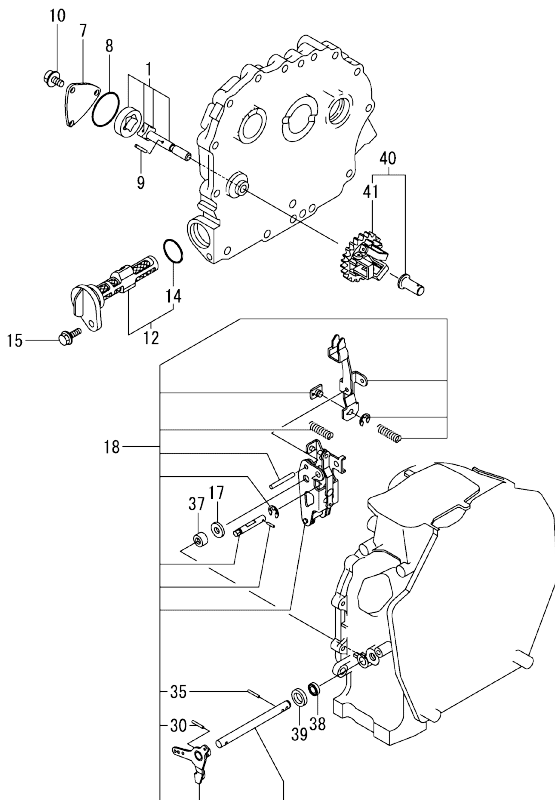
(A)=L70V6CA1F1AABR
(B)=
(C)=

(D)=
(E)=
(F)=

No.	Lev.	Parts No.	Description	Q'ty						I	R
				(A)	(B)	(C)	(D)	(E)	(F)		
1	1	714210-22721	PISTON ASSY, D	1							
3	2	714870-22502	RING SET, PISTON	1							
9	1	114399-22300	PIN, PISTON D=21	1							
10	1	22252-000210	RING, 21	2							
11	1	114240-22040	PISTON ASSY, 0.25 OS	1							1
13	2	114220-22140	RING SET, PISTON .25	1							1
19	1	114240-22050	PISTON ASSY, 0.50 OS	1							2
21	2	114220-22150	RING SET, PISTON .50	1							2
28	1	11422C-23700	ROD ASSY, CONNECTING	1							
32	3	118200-23200	BOLT, CONNECTING ROD	2							
33	2	114840-23600	METAL, CRANK PIN	1							
35	1	114840-23610	METAL, CRANK PIN 0.25	1							1
37	1	114840-23620	METAL, CRANK PIN 0.50	1							2
39	1	114840-23910	BUSH, PISTON PINN	1							3

Remarks
(1)Over-sized(O.S.=0.25) parts.
(2)Over-sized(O.S.=0.50) parts.
(3)Spare parts.

Fig.12. LUB. OIL PUMP & GOVERNOR



(A)=L70V6CA1F1AABR
(B)=
(C)=

(D)=
(E)=
(F)=

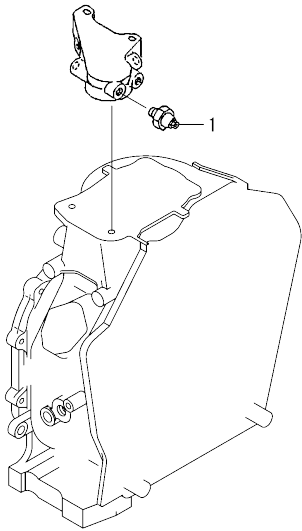
No.	Lev.	Parts No.	Description	Q'ty						I	R
				(A)	(B)	(C)	(D)	(E)	(F)		
1	1	114250-32010	PUMP ASSY, OIL	1							
7	1	114299-32070	COVER, OIL PUMP	1							
8	1	114299-32570	O-RING, PUMP COVER	1							
9	1	22312-030160	PIN, PARALLEL M3X16	1							
10	1	26106-060122	BOLT, M6X 12 PLATED	3							
12	1	114299-35110	FILTER ASSY, OIL	1							
14	2	24341-000224	O-RING, 1AS22.4	1							
15	1	26106-060162	BOLT, M6X 16 PLATED	1							
17	1	114299-61190	WASHER, GOVERNOR	1							
18	1	114210-61500	LEVER ASSY, GOVERNOR	1							1
30	3	22322-030200	PIN, TAPER 3X20	1							
35	2	22322-030200	PIN, TAPER 3X20	1							
37	1	114770-61520	BEARING, NEEDLE	2							
38	1	114299-61600	SEAL, OIL	1							
39	1	114770-61610	WASHER, THRUST	1							
40	1	714210-61701	GOVERNOR ASSY	1							
41	2	114210-61290	WEIGHT ASSY, GOVERNOR	1							

Remarks

(1) On a guarantee of quality, component parts shall not be sold.

OCC50-M02440 ENGINE

Fig.13. SWITCH(OIL PRESSURE)



OCC50-M02440 Fig.13

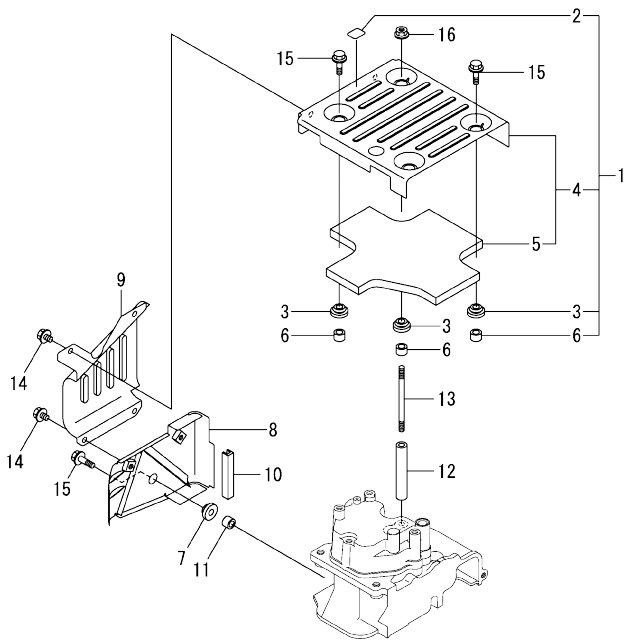
(A)=L70V6CA1F1AABR
(B)=
(C)=

(D)=
(E)=
(F)=

No.	Lev.	Parts No.	Description	Q'ty						I	R
				(A)	(B)	(C)	(D)	(E)	(F)		
1	1	121252-39450	SWITCH, HYDRAULIC	1							

OCC50-M02440 ENGINE
 Fig.14. COVER

OCC50-M02440 Fig.14

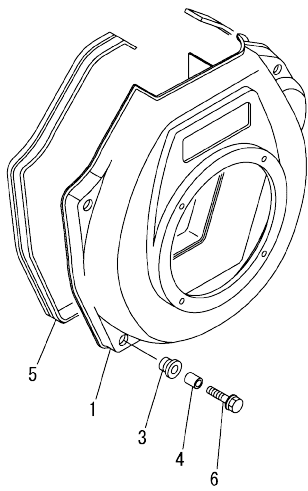


(A)=L70V6CA1F1AABR
 (B)=
 (C)=

(D)=
 (E)=
 (F)=

No.	Lev.	Parts No.	Description	Q'ty						I	R
				(A)	(B)	(C)	(D)	(E)	(F)		
1	1	114220-45210	COVER ASSY, TOP	1							
2	2	114220-07120	LABEL, DECOMPRESSION	1							
3	2	114299-45220	GROMMET, TANK	4							
4	2	114210-45320	COVER, TOP	1							
5	3	114210-45310	ACOUSTIC ABSORBENT	1							
6	2	114399-45340	COLLAR	4							
7	1	114299-45220	GROMMET, TANK	1							
8	1	114210-45260	COVER, SIDE B	1							
9	1	114210-45270	COVER, SIDE A	1							
10	1	114399-45320	RUBBER, SEAL	1							
11	1	114399-45340	COLLAR	1							
12	1	114210-45350	SPACER, TOP COVER	1							
13	1	114210-45360	STUD, M6X87	1							
14	1	26106-060082	BOLT, M6X 8 PLATED	4							
15	1	26106-060202	BOLT, M6X 20 PLATED	4							
16	1	26366-060002	NUT, M6	1							

Fig.15. COOLING FAN CASE

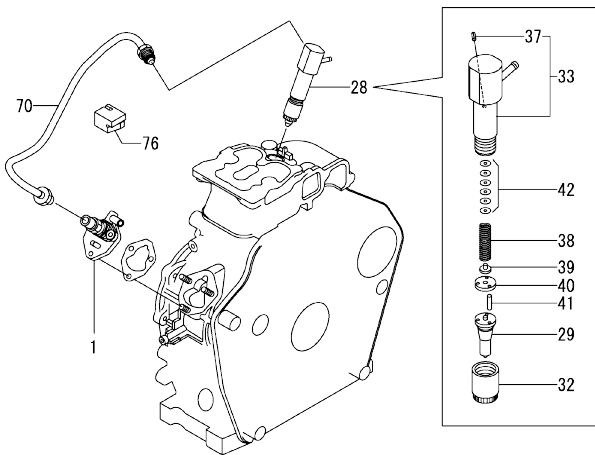


(A)=L70V6CA1F1AABR
(B)=
(C)=

(D)=
(E)=
(F)=

No.	Lev.	Parts No.	Description	Qty						I	R
				(A)	(B)	(C)	(D)	(E)	(F)		
1	1	114210-45150	CASE, COOLING FAN	1							
3	1	114299-45301	RUBBER, FAN CASE	4							
4	1	114299-45310	COLLAR, FAN CASE	4							
5	1	114299-45331	SEAL, FAN CASE	1							
6	1	114299-45350	BOLT, FAN CASE	4							

Fig.16. FUEL INJECTION PUMP & FUEL INJECTION VALVE



(A)=L70V6CA1F1AABR
(B)=
(C)=

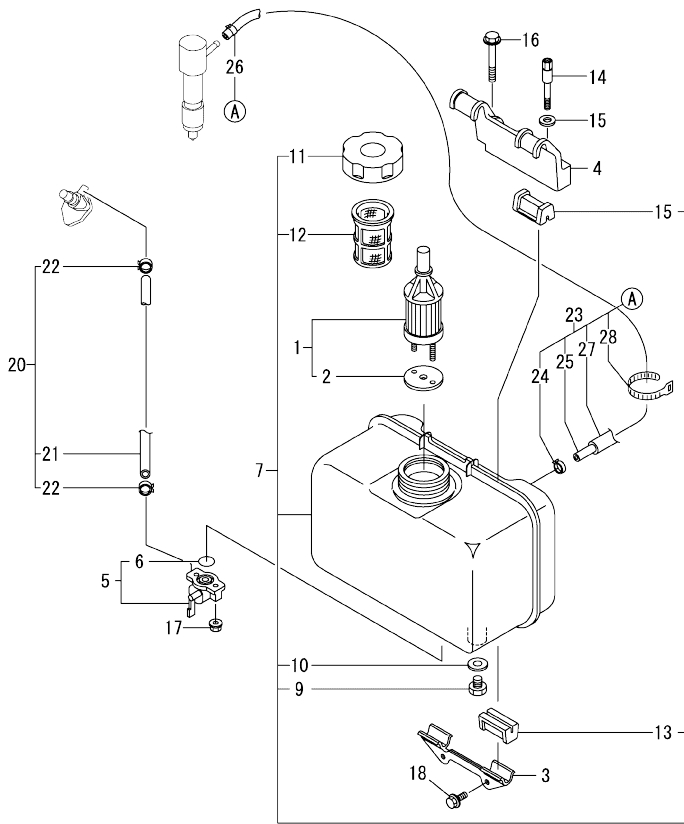
(D)=
(E)=
(F)=

No.	Lev.	Parts No.	Description	Q'ty						I	R
				(A)	(B)	(C)	(D)	(E)	(F)		
1	1	714249-51400	PUMP ASSY, INJECTION	1							1
28	1	714249-53100	VALVE ASSY, INJECTION	1							
29	2	114249-53000	VALVE ASSY, INJECTION	1							
32	2	114250-53080	NUT, NOZZLE	1							
33	2	114339-53100	HOLDER ASSY, NOZZLE	1							
37	3	22351-025005	PIN, SPRING 2.5X 6	1							
38	2	114250-53120	SPRING, NOZZLE	1							
39	2	114250-53130	SEAT, SPRING	1							
40	2	114250-53140	SPACER, VALVE STOP	1							
41	2	114250-53210	PIN, POSITIONING	2							
42	2	119803-53400	SHIM SET	1							
70	1	114210-59800	PIPE ASSY, INJECTION	1							
76	1	114210-59850	SUPPORT, PIPE	1							

Remarks

(1) On a guarantee of quality, component parts shall not be sold.

Fig.17. FUEL TANK & FUEL PIPE

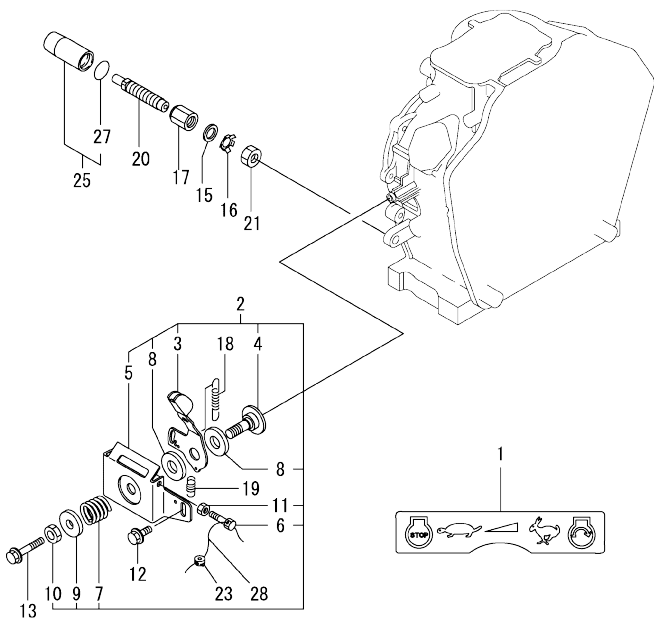


(A)=L70V6CA1F1AABR
(B)=
(C)=

(D)=
(E)=
(F)=

No.	Lev.	Parts No.	Description	Q'ty						I	R
				(A)	(B)	(C)	(D)	(E)	(F)		
1	1	114250-55122	FILTER ASSY,FUEL OIL	1							
2	2	114250-55130	GASKET	1							
3	1	114210-55210	STAY, FUEL TANK A	1							
4	1	114210-55230	STAY, FUEL TANK B	1							
5	1	114240-55300	COCK ASSY, FUEL	1							
6	2	24311-000125	O-RING, 1AP12.5	1							
7	1	11422C-55710	TANK ASSY, FUEL	1							
9	2	114299-55080	PLUG, DRAIN	1							
10	2	23414-080000	GASKET, 8X1.0	1							
11	2	114299-55040	CAP ASSY, FUEL TANK	1							
12	2	114299-55110	STRAINER, FUEL TANK	1							
13	2	114740-55200	DAMPER, FUEL TANK	4							
14	1	114210-55810	BOLT, LIFTING	1							
15	1	22117-080000	WASHER, 8	1							
16	1	26106-080452	BOLT, M8X 45 PLATED	1							
17	1	26366-060002	NUT, M6	2							
18	1	26106-060162	BOLT, M6X 16 PLATED	2							
20	1	114780-59010	PIPE ASSY, FUEL L50	1							
21	2	114780-59060	PIPE, FUEL L=50	1							
22	2	23080-014000	CLAMP, 14	2							
23	1	114239-59301	PIPE ASSY, FO RETURN	1							
24	2	124722-59050	CLAMP, HOSE 9	1							
25	2	114650-59061	PIPE, FO RETURN	1							
26	2	124066-59100	CLAMP, HOSE 8	1							
27	2	114652-59310	TUBE, PROTECT	1							
28	2	121750-59890	BAND, NYLON	1							

Fig.18. CONTROL DEVICE

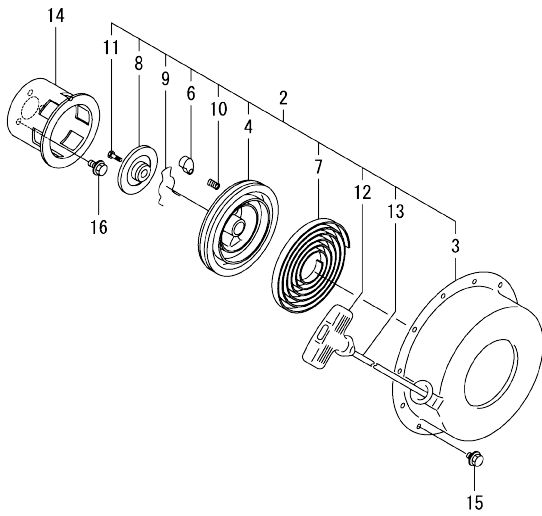


(A)=L70V6CA1F1AABR
(B)=
(C)=

(D)=
(E)=
(F)=

No.	Lev.	Parts No.	Description	Q'ty						I	R	
				(A)	(B)	(C)	(D)	(E)	(F)			
1	1	114220-07140	LABEL, CONTROL	1								
2	1	114210-66550	BRACKET ASSY, HANDLE	1								
3	2	114210-66070	HANDLE, REGULATOR	1								
4	2	183250-66070	SHAFT, HANDLE	1								
5	2	114210-66400	BRACKET, HANDLE	1								
6	2	114250-66440	BOLT, ADJUSTER	1								
7	2	104200-66820	SPRING, HANDLE	1								
8	2	104200-66831	PLATE, FRICTION	2								
9	2	104200-66850	WASHER, B	1								
10	2	26696-100002	NUT, LOCK M10	1								
11	2	26757-060002	NUT, LOCK M6	1								
12	1	26106-060142	BOLT, M6X 14 PLATED	1								
13	1	26106-060452	BOLT, M6X 45 PLATED	1								
15	1	114295-61810	WASHER, PLAIN 14	1								
16	1	114771-61830	PLATE	1								
17	1	114295-61940	NUT, PROTECTOR M14	1								
18	1	114210-66010	SPRING, REGULATOR	1								
19	1	114299-66201	SPRING, RETURN	1								
20	1	114771-66600	LIMITER ASSY, FUEL	1								
21	1	114295-66690	NUT, LOCK M14	1								
23	1	114780-61090	TIN	1								
25	1	114295-61980	PROTECTOR ASSY	1								
27	2	24311-000180	O-RING, 1AP18.0	1								
28	1	22451-060000	WIRE, 0.6	1								

Fig.19. RECOIL STARTER



(A)=L70V6CA1F1AABR
(B)=
(C)=

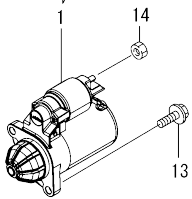
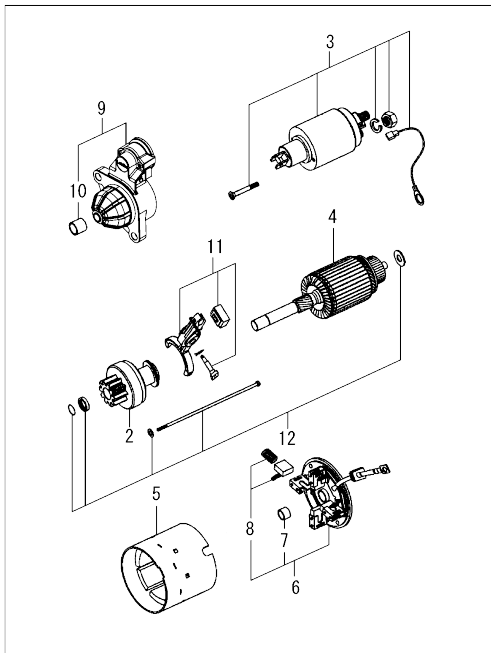
(D)=
(E)=
(F)=

No.	Lev.	Parts No.	Description	Q'ty					
				(A)	(B)	(C)	(D)	(E)	(F)
2	2	114399-76251	STARTER ASSY, RECOIL	1					
3	3	114399-76510	CASE, STARTER	1					
4	3	114399-76521	REEL, RECOIL STARTER	1					
6	3	114399-76600	RATCHET	1					
7	3	114399-76540	SPRING, SPIRAL	1					
8	3	114399-76550	COVER, RATCHET	1					
9	3	114399-76560	SPRING	1					
10	3	114399-76570	SPRING, RETURN	1					
11	3	114399-76580	SCREW	1					
12	3	114399-76620	KNOB, STARTER	1					
13	3	114399-76630	ROPE, STARTER	1					
14	2	114399-76590	PULLEY, STARTER	1					
15	1	26106-060082	BOLT, M6X 8 PLATED	4					
16	1	26106-060122	BOLT, M6X 12 PLATED	3					

Fig.20. STARTER MOTOR

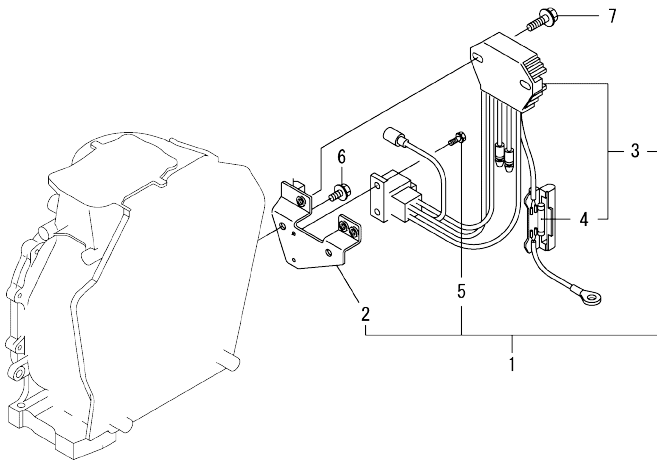
(A)=L70V6CA1F1AABR
(B)=
(C)=

(D)=
(E)=
(F)=



No.	Lev.	Parts No.	Description	Q'ty					
				(A)	(B)	(C)	(D)	(E)	(F)
1	1	114320-77010	MOTOR ASSY, STARTER	1					
2	2	114399-77040	CLUTCH ASSY, PINION	1					
3	2	114399-77060	SWITCH ASSY, MAGNET	1					
4	2	114320-77110	ARMATURE ASSY	1					
5	2	114320-77130	YOKE ASSY	1					
6	2	114399-77140	COVER ASSY, REAR	1					
7	3	114399-77050	BUSH, REAR	1					
8	3	114399-77160	HOLDER ASSY, BRUSH	4					
9	2	114399-77150	CASE ASSY, GEAR	1					
10	3	114399-77030	BUSH, TOP	1					
11	2	114399-77180	LEVER KIT, SHIFT	1					
12	2	114320-77770	BOLT ASSY, THROUGH	2					
13	1	26106-100302	BOLT, M10X 30 PLATED	2					
14	1	26716-080002	NUT, M8	1					

Fig.21. ELECTRIC PARTS

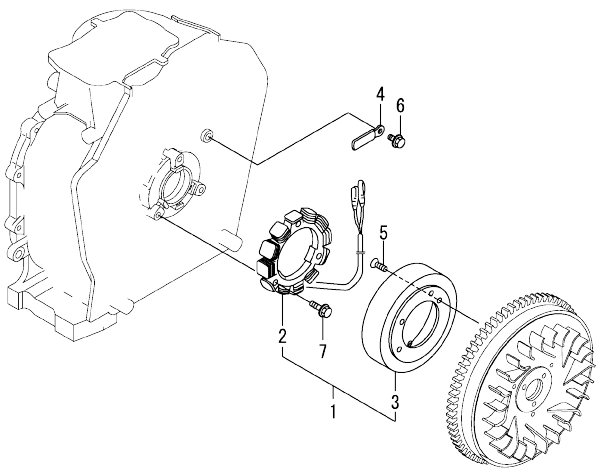


(A)=L70V6CA1F1AABR
(B)=
(C)=

(D)=
(E)=
(F)=

No.	Lev.	Parts No.	Description	Q'ty						I	R
				(A)	(B)	(C)	(D)	(E)	(F)		
1	1	114399-77560	REGULATOR ASSY	1							
2	2	114399-77410	BRACKET, HARNESS	1							
3	2	114399-77720	REGULATOR	1							
4	3	114399-78000	FUSE, 20A	1							
5	2	26023-040102	SCREW, M4X10	2							
6	1	26106-060122	BOLT, M6X 12 PLATED	2							
7	1	26106-060202	BOLT, M6X 20 PLATED	2							

OCC50-M02440 ENGINE
 Fig.23. DYNAMO



OCC50-M02440 Fig.23

(A)=L70V6CA1F1AABR
 (B)=
 (C)=

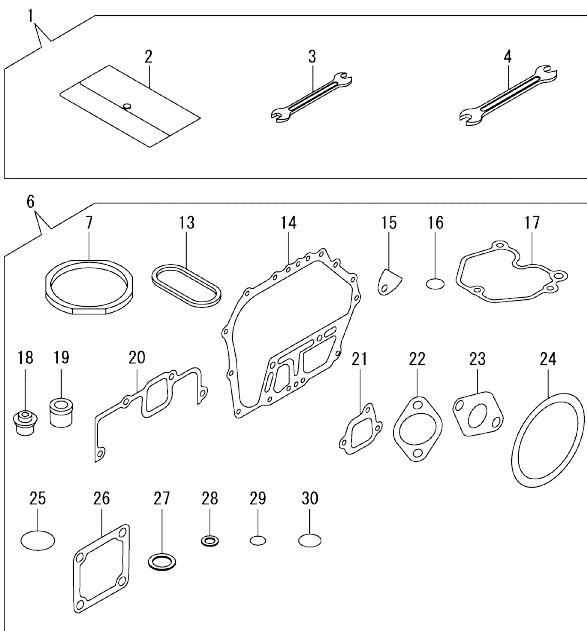
(D)=
 (E)=
 (F)=

No.	Lev.	Parts No.	Description	Q'ty					
				(A)	(B)	(C)	(D)	(E)	(F)
1	1	114399-78280	DINAMO ASSY, 15A	1					
2	2	114399-78770	STATOR ASSY	1					
3	2	114399-78780	WHEEL, DYNAMO	1					
4	1	160710-78710	CLAMP, CORD	1					
5	1	114210-78800	SCREW, M6	3					
6	1	26106-060122	BOLT, M6X 12 PLATED	1					
7	1	26106-060202	BOLT, M6X 20 PLATED	3					

Fig.24. GASKET SET & TOOL

(A)=L70V6CA1F1AABR
(B)=
(C)=

(D)=
(E)=
(F)=



No.	Lev.	Parts No.	Description	Q'ty						I	R
				(A)	(B)	(C)	(D)	(E)	(F)		
1	1	114299-92590	TOOL ASSY	1							
2	2	114299-92600	BAG, TOOL	1							
3	2	114299-92710	WRENCH	1							
4	2	114299-92720	WRENCH	1							
6	1	114220-92600	GASKET SET	1							1
7	2	114395-01331	GASKET, HEAD	1							
13	2	114399-01380	O-RING, TAPPET	1							
14	2	114399-01410	GASKET, CASE COVER	1							
15	2	114250-01841	GASKET, COVER	1							
16	2	114299-01950	O-RING, 18	2							
17	2	114210-11310	GASKET, BONNET	1							
18	2	114350-11341	SEAL, VALVE STEM	2							
19	2	114771-11461	GASKET, NOZZLE	1							
20	2	114210-12210	GASKET, AIR CLEANER	1							
21	2	114299-12210	GASKET, AIR CLEANER	2							
22	2	114299-12920	GASKET, AIR CLEANER	1							
23	2	114299-13200	GASKET, MUFFLER	1							
24	2	114399-21980	GASKET	1							
25	2	114299-32570	O-RING, PUMP COVER	1							
26	2	129100-77510	GASKET, AIR HEATER	3							
27	2	22190-160002	WASHER, SEAL 16	2							
28	2	23414-080000	GASKET, 8X1.0	1							
29	2	24341-000150	O-RING, 1AS15.0	1							
30	2	24341-000224	O-RING, 1AS22.4	1							

Remarks

(1)Optional parts.

Parts No. Index

Parts No.	Fig. No.	Ref. No.	Parts No.	Fig. No.	Ref. No.	Parts No.	Fig. No.	Ref. No.	Parts No.	Fig. No.	Ref. No.
104200-66820	18	7	11421C-11110	4	9	114299-01830	1	26	114399-01380	1	11
104200-66831	18	8	11421C-11250	4	14	114299-01950	2	4		24	13
104200-66850	18	9	11421C-11260	4	15		24	16	114399-01410	1	34
105010-11490	4	27	11421C-11650	4	16	114299-02030	1	45		24	14
106100-77620	22	5	11421C-11660	4	20	114299-03640	4	42	114399-21590	9	3
106100-77630	22	6	11421C-13500	6	2	114299-07101	3	5	114399-21600	9	6
114210-01010	1	1	11421C-21830	8	1	114299-07111	3	7	114399-21980	24	24
114210-01200	4	1	114220-07100	3	4	114299-07160	3	8	114399-22300	10	9
114210-01210	4	2	114220-07110	3	6	114299-11600	4	29	114399-45320	14	10
114210-03590	4	39	114220-07120	14	2	114299-12210	24	21	114399-45340	14	6
114210-11120	4	10	114220-07130	3	13	114299-12300	5	2			11
114210-11180	4	11	114220-07140	3	15	114299-12920	24	22	114399-76251	19	2
114210-11310	4	36		18	1	114299-13200	6	1	114399-76510	19	3
	24	17	114220-07170	22	2		24	23	114399-76521	19	4
114210-11901	4	30	114220-12500	5	8	114299-13800	6	13	114399-76540	19	7
114210-11930	4	12	114220-12550	5	3	114299-21220	9	1	114399-76550	19	8
114210-11950	4	37	114220-22140	10	13	114299-21550	9	2	114399-76560	19	9
114210-12010	5	4	114220-22150	10	21	114299-32070	12	7	114399-76570	19	10
114210-12210	5	1	114220-45210	14	1	114299-32570	12	8	114399-76580	19	11
	24	20	114220-77500	22	1		24	25	114399-76590	19	14
114210-12560	5	11	114220-92600	24	6	114299-35110	12	12	114399-76600	19	6
114210-12590	5	12	11422C-23700	10	28	114299-35150	1	40	114399-76620	19	12
114210-12600	5	15	11422C-55710	17	7	114299-45220	14	3	114399-76630	19	13
114210-14200	7	1	114239-59301	17	23		7		114399-77030	20	10
114210-14300	7	2	114240-11450	4	26	114299-45301	15	3	114399-77040	20	2
114210-14400	7	7	114240-11550	4	28	114299-45310	15	4	114399-77050	20	7
114210-14580	7	8	114240-22040	10	11	114299-45331	15	5	114399-77060	20	3
114210-28050	11	6	114240-22050	10	19	114299-45350	15	6	114399-77140	20	6
114210-45150	15	1	114240-55300	17	5	114299-55040	17	11	114399-77150	20	9
114210-45260	14	8	114249-53000	16	29	114299-55080	17	9	114399-77160	20	8
114210-45270	14	9	114250-01841	1	27	114299-55110	17	12	114399-77180	20	11
114210-45310	14	5		24	15	114299-61190	12	17	114399-77410	21	2
114210-45320	14	4	114250-11240	4	18	114299-61600	12	38	114399-77560	21	1
114210-45350	14	12			22	114299-66201	18	19	114399-77720	21	3
114210-45360	14	13	114250-32010	12	1	114299-92590	24	1	114399-78000	21	4
114210-55210	17	3	114250-53080	16	32	114299-92600	24	2	114399-78280	23	1
114210-55230	17	4	114250-53120	16	38	114299-92710	24	3	114399-78770	23	2
114210-55810	17	14	114250-53130	16	39	114299-92720	24	4	114399-78780	23	3
114210-59800	16	70	114250-53140	16	40	114320-77010	20	1	114650-59061	17	25
114210-59850	16	76	114250-53210	16	41	114320-77110	20	4	114652-59310	17	27
114210-61290	12	41	114250-55122	17	1	114320-77130	20	5	114699-01760	2	2
114210-61500	12	18	114250-55130	17	2	114320-77770	20	12	114740-55200	17	13
114210-66010	18	18	114250-66440	18	6	114339-53100	16	33	114770-61520	12	37
114210-66070	18	3	114295-61810	18	15	114350-02113	1	46	114770-61610	12	39
114210-66400	18	5	114295-61940	18	17	114350-11341	4	25	114771-11461	24	19
114210-66550	18	2	114295-61980	18	25		24	18	114771-61830	18	16
114210-78800	23	5	114295-66690	18	21	114351-77520	22	3	114771-66600	18	20
114211-01450	1	35	114299-01600	1	12	114351-77700	22	7	114780-59010	17	20
114211-11020	4	3	114299-01690	2	1	114395-01331	1	5	114780-59060	17	21
11421C-11100	4	8	114299-01800	1	13		24	7	114780-61090	18	23

Parts No. Index

Parts No.	Fig. No.	Ref. No.
114840-02110	1	38
114840-02200	1	42
114840-02210	1	43
114840-23600	10	33
114840-23610	10	35
114840-23620	10	37
114840-23910	10	39
118200-23200	10	32
119803-53400	16	42
121252-39450	13	1
121750-59890	17	28
124066-59100	17	26
124722-59050	17	24
129100-77510	24	26
160110-02220	1	47
		48
160710-78710	23	4
160842-21150	8	10
160842-21250	8	11
160842-21260	8	12
183250-66070	18	4
22117-080000	17	15
22190-160002	2	5
	24	27
22242-000120	4	24
22252-000210	10	10
22312-030160	4	45
	12	9
22312-040080	1	28
22322-030200	12	30
		35
22351-025005	16	37
22351-040008	4	31
22451-060000	18	28
22512-040120	9	7
23080-014000	17	22
23414-080000	17	10
	24	28
23875-020000	1	29
24162-152116	1	49
24311-000125	17	6
24311-000180	18	27
24341-000150	24	29
24341-000224	12	14
	24	30
26023-040102	21	5
26106-060082	14	14
	19	15
26106-060122	12	10
	19	16

Parts No.	Fig. No.	Ref. No.
26106-060122	21	6
	23	6
26106-060142	6	8
	18	12
26106-060162	12	15
	17	18
26106-060202	5	17
	14	15
	21	7
	23	7
26106-060402	4	32
26106-060452	18	13
26106-060552	4	48
26106-080122	1	50
26106-080352	1	41
26106-080452	17	16
26106-100302	20	13
26216-080182	6	10
26226-060182	1	30
26226-060222	1	31
26226-060302	5	18
26226-060552	4	33
26306-080002	6	11
26366-060002	1	32
	4	34
	14	16
	17	17
26696-100002	18	10
26716-080002	20	14
26757-060002	18	11
26856-060002	4	19
		23
29220-083200	22	8
714210-22721	10	1
714210-28510	11	1
714210-61701	12	40
714249-51400	16	1
714249-53100	16	28
714870-22502	10	3

Parts No.	Fig. No.	Ref. No.
-----------	----------	----------

Parts No.	Fig. No.	Ref. No.
-----------	----------	----------