

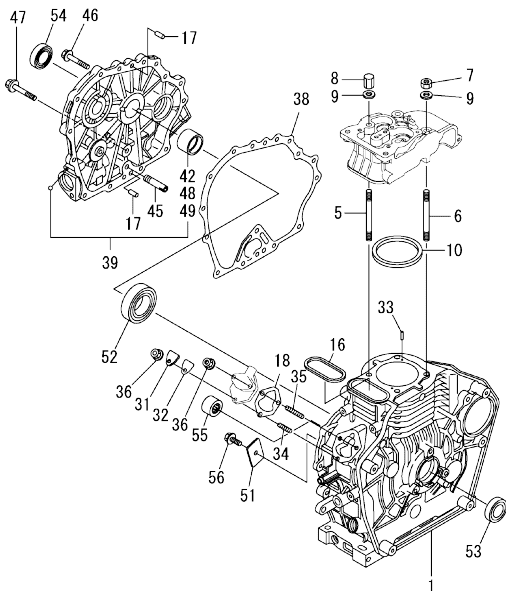
0CC50-M03320EN

Contents

0CC50-M03320

Fig. No.	Fig. Name	Fig. No.	Fig. Name
ENGINE			
1.	CYLINDER BLOCK		
2.	DRAIN PLUG		
3.	LABEL		
4.	CYLINDER HEAD & BONNET		
5.	SUCTION MANIFOLD		
6.	AIR CLEANER		
7.	EXHAUST MUFFLER		
8.	CAMSHAFT		
9.	CRANKSHAFT		
10.	FLYWHEEL		
11.	PISTON & CONNECTING ROD		
12.	BALANCER SHAFT		
13.	LUB. OIL PUMP & GOVERNOR		
14.	SWITCH CAP(OIL PRESSURE)		
15.	COVER		
16.	COOLING FAN CASE		
17.	FUEL INJECTION PUMP & FUEL INJECTION VALVE		
18.	FUEL TANK & FUEL PIPE		
19.	CONTROL DEVICE		
20.	RECOIL STARTER		
21.	ACCESSORY		
22.	GASKET SET		

Fig.1. CYLINDER BLOCK



(A)=L48V5VAF3T0AAAN
(B)=
(C)=

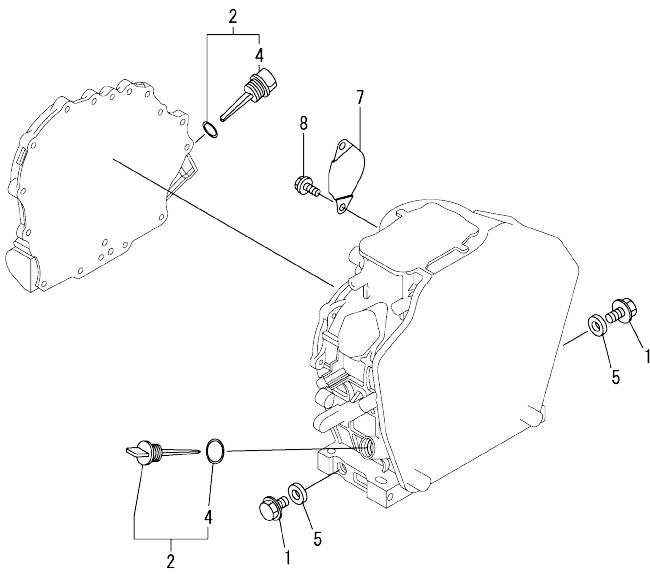
(D)=
(E)=
(F)=

No.	Lev.	Parts No.	Description	Q'ty						I	R
				(A)	(B)	(C)	(D)	(E)	(F)		
1	1	1141A0-01010	BLOCK ASSY, CYLINDER	1							
5	1	114299-01200	BOLT, HEAD A	2							
6	1	114299-01210	BOLT, HEAD B	2							
7	1	114299-01220	NUT, CYLINDER HEAD A	2							
8	1	114299-01230	NUT, CYLINDER HEAD B	2							
9	1	124950-01250	WASHER, HEAD BOLT	4							
10	1	114295-01330	GASKET, HEAD	1							
16	1	114299-01380	O-RING	1							
17	1	114299-01600	PIN, PARALLEL 8X12	2							
18	1	114299-01800	SHIM SET, PUMP	1							
31	1	114299-01830	COVER, PUMP	1							
32	1	114250-01841	GASKET, COVER	1							
33	1	22312-040080	PIN, PARALLEL M4X 8	2							
34	1	26226-060182	STUD, M6X 18	1							
35	1	26226-060222	STUD, M6X 22	2							
36	1	26366-060002	NUT, M6	3							
38	1	114299-01410	GASKET, CRANK CASE	1							
39	1	114111-01450	COVER, CRANK CASE D	1							
42	2	114740-02110	BEARING, MAIN	1							1
45	1	114299-35150	PIPE, OIL INLET	1							
46	1	26106-060252	BOLT, M6X 25 PLATED	14							
47	1	26106-080352	BOLT, M8X 35 PLATED	1							
48	1	114740-02200	BEARING, MAIN 0.25OS	1							2
49	1	114740-02210	BEARING, MAIN 0.50OS	1							3
51	1	114299-02030	RETAINER, BEARING	1							
52	1	114250-02113	BEARING, HR6306G3C3	1							
53	1	114299-02220	SEAL, OIL	1							
54	1	160210-02220	SEAL, OIL 25X41.2X8	1							
55	1	24162-152112	BEARING, 152112	1							
56	1	26106-080122	BOLT, M8X 12 PLATED	1							

Remarks
 (1) Spare parts.
 (2) Over-sized (O.S.=0.25) parts.
 (3) Over-sized (O.S.=0.50) parts.

OCC50-M03320 ENGINE
 Fig.2. DRAIN PLUG

OCC50-M03320 Fig.2

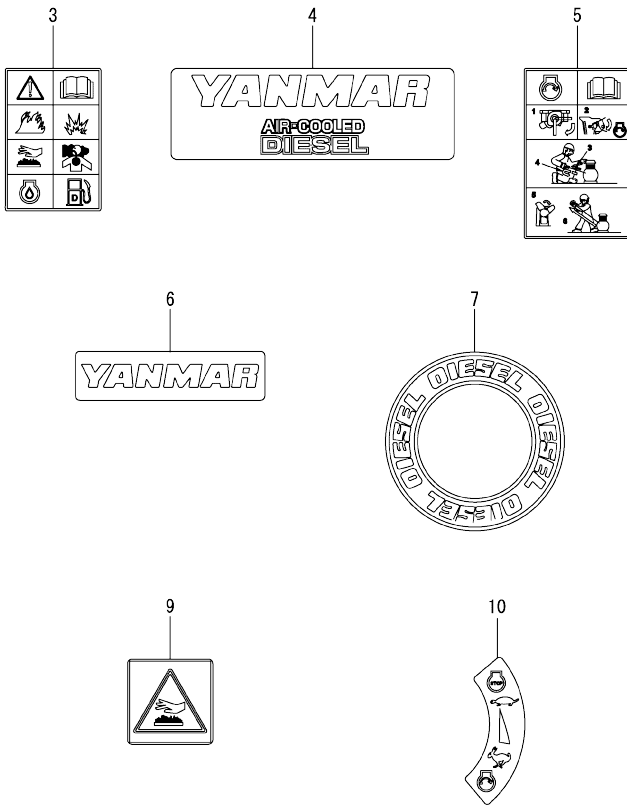


(A)=L48V5VAF3T0AAAN
 (B)=
 (C)=

(D)=
 (E)=
 (F)=

No.	Lev.	Parts No.	Description	Q'ty						I	R
				(A)	(B)	(C)	(D)	(E)	(F)		
1	1	114299-01690	PLUG, DRAIN 16	2							
2	1	114299-01760	CAP ASSY, OIL SUPPLY	2							
4	2	114299-01950	O-RING, 18	2							
5	1	22190-160002	WASHER, SEAL 16	2							
7	1	114399-01700	COVER, STARTER	1							
8	1	26106-100122	BOLT, M10X 12 PLATED	2							

Fig.3. LABEL



(A)=L48V5VAF3T0AAAN
(B)=
(C)=

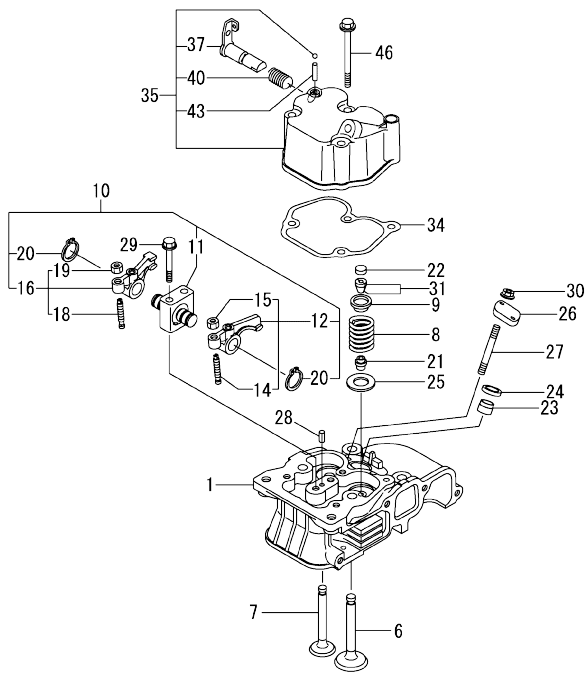
(D)=
(E)=
(F)=

No.	Lev.	Parts No.	Description	Q'ty					
				(A)	(B)	(C)	(D)	(E)	(F)
3	1	114220-07100	LABEL, CAUTION	1					
4	1	114299-07101	LABEL, YANMAR MARK A	1					
5	1	114220-07110	LABEL, HOW TO START	1					
6	1	114299-07111	LABEL, YANMAR MARK B	1					
7	1	114299-07160	LABEL, DIESEL	1					
9	1	114220-07130	LABEL, HOT SURFACE	1					
10	1	114220-07160	LABEL, THAI	1					

Fig.4. CYLINDER HEAD & BONNET

(A)=L48V5VAF3T0AAAAN
(B)=
(C)=

(D)=
(E)=
(F)=

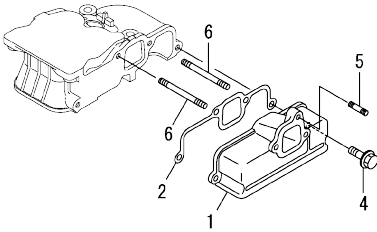


No.	Lev.	Parts No.	Description	Q'ty						I	R
				(A)	(B)	(C)	(D)	(E)	(F)		
1	1	11429C-11030	HEAD ASSY, CYLINDER	1							
6	1	11429C-11100	VALVE, INTAKE	1							
7	1	11429C-11110	VALVE, EXHAUST	1							
8	1	114120-11120	SPRING, VALVE	2							
9	1	114250-11180	RETAINER, SPRING	2							
10	1	11429C-11250	SUPPORT ASSY, ROCKER	1							
11	2	11429C-11260	SUPPORT, ROCKER ARM	1							
12	2	11429C-11650	ARM ASSY, ROCKER INT	1							
14	3	114250-11240	SCREW, VALVE ADJUST	1							
15	3	26856-060002	NUT, M6	1							
16	2	11429C-11660	ARM ASSY, ROCKER EXH	1							
18	3	114250-11240	SCREW, VALVE ADJUST	1							
19	3	26856-060002	NUT, M6	1							
20	2	22242-000120	RING, 12	2							
21	1	114250-11341	SEAL, VALVE STEM	2							
22	1	119260-11370	CAP VALVE	2							
23	1	114240-11450	PROTECTOR, NOZZLE	1							
24	1	114240-11550	SEAT, NOZZLE	1							
25	1	114299-11600	WASHER, VALVE SPRING	2							
26	1	114299-11901	RETAINER, VALVE	1							
27	1	114110-11910	STUD, M6X65	2							
28	1	22351-040008	PIN, SPRING 4.0X 8	1							
29	1	26106-060452	BOLT, M6X 45 PLATED	2							
30	1	26366-060002	NUT, M6	2							
31	1	27310-055001	COTTER, 5.5	2							
34	1	114771-11310	GASKET, BONNET	1							
35	1	114295-11951	BONNET ASSY, HEAD	1							
37	2	114250-03591	LEVER ASSY, DECOMP	1							
40	2	114299-03640	SPRING, DECOMPRESSION	1							
43	2	22312-030160	PIN, PARALLEL M3X16	1							
46	1	26106-060552	BOLT, M6X 55 PLATED	3							

Fig.5. SUCTION MANIFOLD

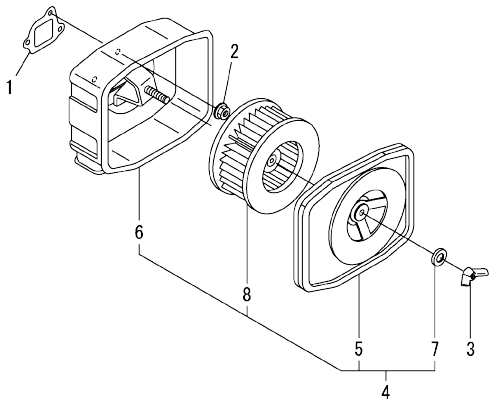
(A)=L48V5VAF3T0AAAN
(B)=
(C)=

(D)=
(E)=
(F)=



No.	Lev.	Parts No.	Description	Q'ty					
				(A)	(B)	(C)	(D)	(E)	(F)
1	1	114771-12010	PIPE, AIR INTAKE A	1					
2	1	114771-12200	GASKET, INTAKE PIPE	1					
4	1	26106-060252	BOLT, M6X 25 PLATED	2					
5	1	26226-060142	STUD, M6X 14	1					
6	1	26226-060602	STUD, M6X 60	2					

Fig.6. AIR CLEANER



(A)=L48V5VAF3T0AAAN
(B)=
(C)=

(D)=
(E)=
(F)=

No.	Lev.	Parts No.	Description	Q'ty					
				(A)	(B)	(C)	(D)	(E)	(F)
1	1	114299-12210	GASKET, AIR CLEANER	1					
2	1	114299-12300	NUT	3					
3	1	114252-12550	NUT, WING M8	1					
4	1	114120-12570	CLEANER ASSY, AIR	1					
5	2	114288-12520	COVER ASSY, CLEANER	1					
6	2	114288-12532	CASE ASSY, CLEANER	1					
7	2	114252-12560	WASHER, SEAL M8	1					
8	2	114650-12590	ELEMENT ASSY, AIR	1					

OCC50-M03320 ENGINE

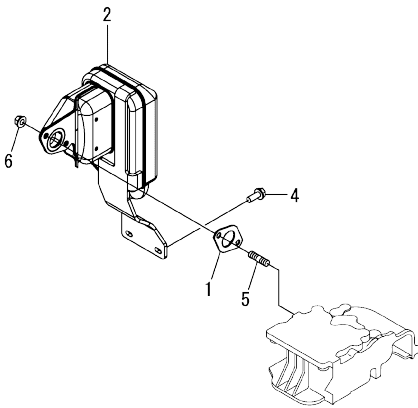
Fig.7. EXHAUST MUFFLER

OCC50-M03320 Fig.7

(A)=L48V5VAF3T0AAAN
(B)=
(C)=

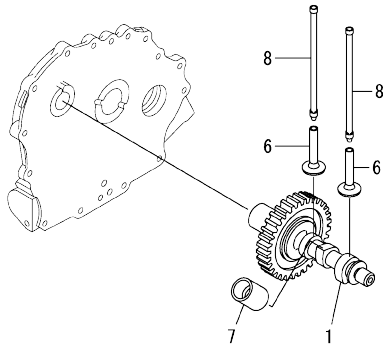
(D)=
(E)=
(F)=

No.	Lev.	Parts No.	Description	Q'ty						I	R
				(A)	(B)	(C)	(D)	(E)	(F)		
1	1	114299-13200	GASKET, MUFFLER	1							
2	1	1141A0-13540	MUFFLER ASSY	1							
4	1	26106-060142	BOLT, M6X 14 PLATED	2							
5	1	26216-080182	STUD, M8X 18	2							
6	1	26306-080002	NUT, M8	2							



OCC50-M03320 ENGINE
 Fig.8. CAMSHAFT

OCC50-M03320 Fig.8

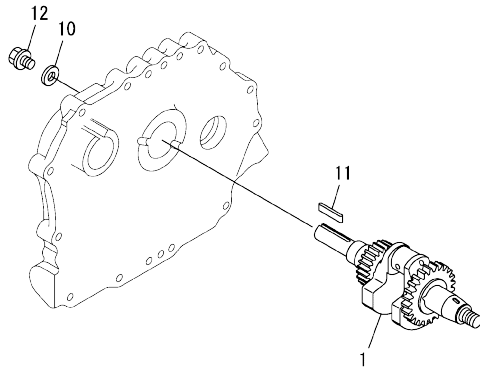


(A)=L48V5VAF3T0AAAN
 (B)=
 (C)=

(D)=
 (E)=
 (F)=

No.	Lev.	Parts No.	Description	Q'ty					
				(A)	(B)	(C)	(D)	(E)	(F)
1	1	11429C-14580	CAMSHAFT ASSY	1					
6	1	114299-14200	TAPPET	2					
7	1	114771-14260	TAPPET	1					
8	1	114120-14400	ROD ASSY, PUSH	2					

Fig.9. CRANKSHAFT

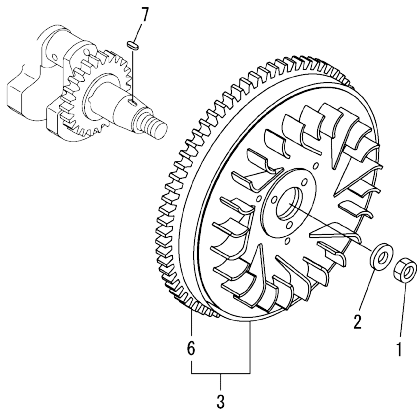


(A)=L48V5VAF3T0AAAN
(B)=
(C)=

(D)=
(E)=
(F)=

No.	Lev.	Parts No.	Description	Q'ty					
				(A)	(B)	(C)	(D)	(E)	(F)
1	1	114120-21710	CRANKSHAFT ASSY,D	1					
10	1	160310-14550	WASHER, PULLEY	1					
11	1	22512-050300	KEY, 5X 30	1					
12	1	26106-080202	BOLT, M8X 20 PLATED	1					

OCC50-M03320 ENGINE
 Fig.10. FLYWHEEL



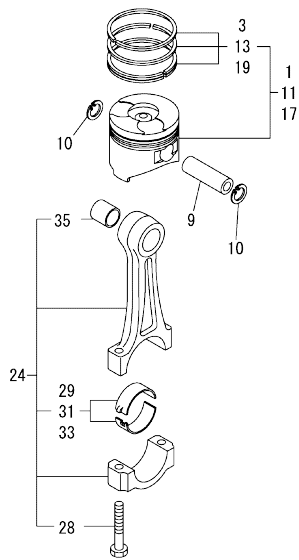
OCC50-M03320 Fig.10

(A)=L48V5VAF3T0AAAN
 (B)=
 (C)=

(D)=
 (E)=
 (F)=

No.	Lev.	Parts No.	Description	Q'ty					
				(A)	(B)	(C)	(D)	(E)	(F)
1	1	114299-21220	NUT, WHEEL	1					
2	1	114299-21550	WASHER, FLYWHEEL	1					
3	1	114299-21590	FLYWHEEL ASSY, DE	1					
6	2	114299-21600	GEAR, RING	1					
7	1	22512-040120	KEY, 4X 12	1					

Fig.11. PISTON & CONNECTING ROD



(A)=L48V5VAF3T0AAAN
(B)=
(C)=

(D)=
(E)=
(F)=

No.	Lev.	Parts No.	Description	Q'ty						I	R
				(A)	(B)	(C)	(D)	(E)	(F)		
1	1	714120-22720	PISTON ASSY, D	1							
3	2	714295-22500	RING SET, PISTON	1							
9	1	114299-22300	PIN, PISTON D=19	1							
10	1	22252-000190	RING, 19	2							
11	1	714120-22630	PISTON ASSY, 0.25 OS	1							1
13	2	714295-22560	RING SET, PISTON .25	1							1
17	1	714120-22590	PISTON ASSY, 0.50 OS	1							2
19	2	714295-22570	RING SET, PISTON .50	1							2
24	1	11412C-23700	ROD ASSY, CONNECTING	1							
28	3	114110-23200	BOLT, CONNECTING ROD	2							
29	2	114740-23600	METAL, CRANK PIN	1							
31	1	114740-23610	METAL, CRANK PIN 0.25	1							1
33	1	114740-23620	METAL, CRANK PIN 0.50	1							2
35	1	114740-23910	BUSH, PISTON PINN	1							3

Remarks

- (1)Over-sized(O.S.=0.25) parts.
- (2)Over-sized(O.S.=0.50) parts.
- (3)Spare parts.

Fig.12. BALANCER SHAFT

(A)=L48V5VAF3T0AAAN
(B)=
(C)=

(D)=
(E)=
(F)=

No.	Lev.	Parts No.	Description	Q'ty						I	R
				(A)	(B)	(C)	(D)	(E)	(F)		
1	1	714770-28531	SHAFT ASSY, BALANCER	1							
6	1	24101-062020	BEARING, BALL 6202C3	2							

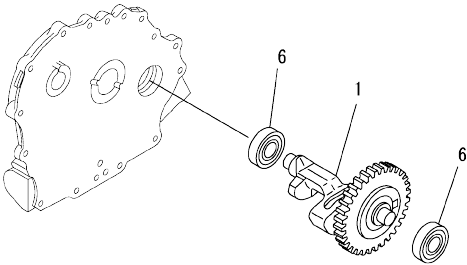
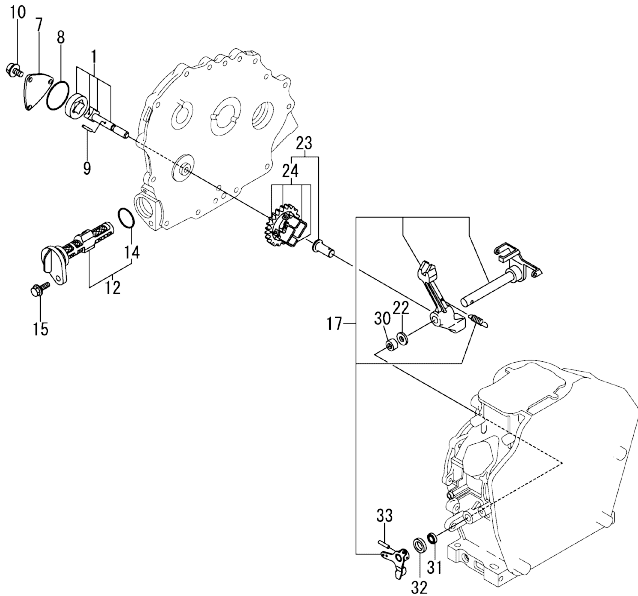


Fig.13. LUB. OIL PUMP & GOVERNOR



(A)=L48V5VAF3T0AAAN
(B)=
(C)=

(D)=
(E)=
(F)=

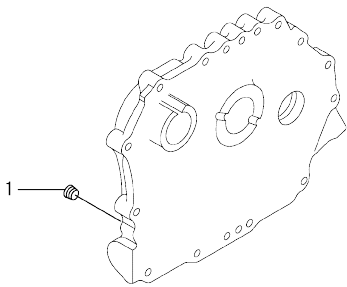
No.	Lev.	Parts No.	Description	Q'ty						I	R
				(A)	(B)	(C)	(D)	(E)	(F)		
1	1	114250-32010	PUMP ASSY, OIL	1							
7	1	114299-32070	COVER, OIL PUMP	1							
8	1	114299-32570	O-RING, PUMP COVER	1							
9	1	22312-030160	PIN, PARALLEL M3X16	1							
10	1	26106-060122	BOLT, M6X 12 PLATED	3							
12	1	114299-35110	FILTER ASSY, OIL	1							
14	2	24341-000224	O-RING, 1AS22.4	1							
15	1	26106-060162	BOLT, M6X 16 PLATED	1							
17	1	114295-61170	LEVER, GOVERNOR NO.2	1							1
22	1	114299-61190	WASHER, GOVERNOR	1							
23	1	114299-61700	GOVERNOR ASSY	1							
24	2	114299-61210	WEIGHT ASSY, GOVERNOR	1							
30	1	114770-61520	BEARING, NEEDLE	2							
31	1	114299-61600	SEAL, OIL	1							
32	1	114770-61610	WASHER, THRUST	1							
33	1	22322-030200	PIN, TAPER 3X20	1							

Remarks

(1) On a guarantee of quality, component parts shall not be sold.

OCC50-M03320 ENGINE

Fig.14. SWITCH CAP(OIL PRESSURE)



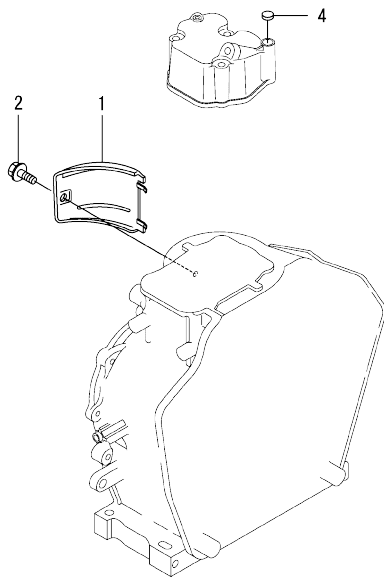
OCC50-M03320 Fig.14

(A)=L48V5VAF3T0AAAN
(B)=
(C)=

(D)=
(E)=
(F)=

No.	Lev.	Parts No.	Description	Q'ty						I	R
				(A)	(B)	(C)	(D)	(E)	(F)		
1	1	23876-010000	PLUG, R01	1							

OCC50-M03320 ENGINE
 Fig.15. COVER



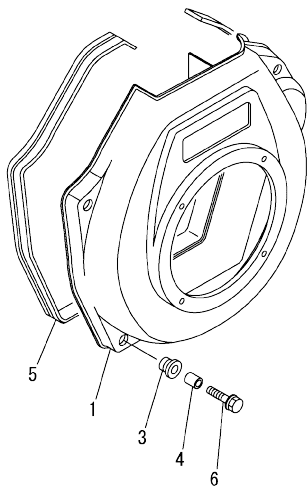
OCC50-M03320 Fig.15

(A)=L48V5VAF3T0AAAN
 (B)=
 (C)=

(D)=
 (E)=
 (F)=

No.	Lev.	Parts No.	Description	Q'ty					
				(A)	(B)	(C)	(D)	(E)	(F)
1	1	114299-45210	COVER, CYLINDER	1					
2	1	26106-060122	BOLT, M6X 12 PLATED	1					
4	1	129100-61850	PLUG, BORE 12	1					

Fig.16. COOLING FAN CASE

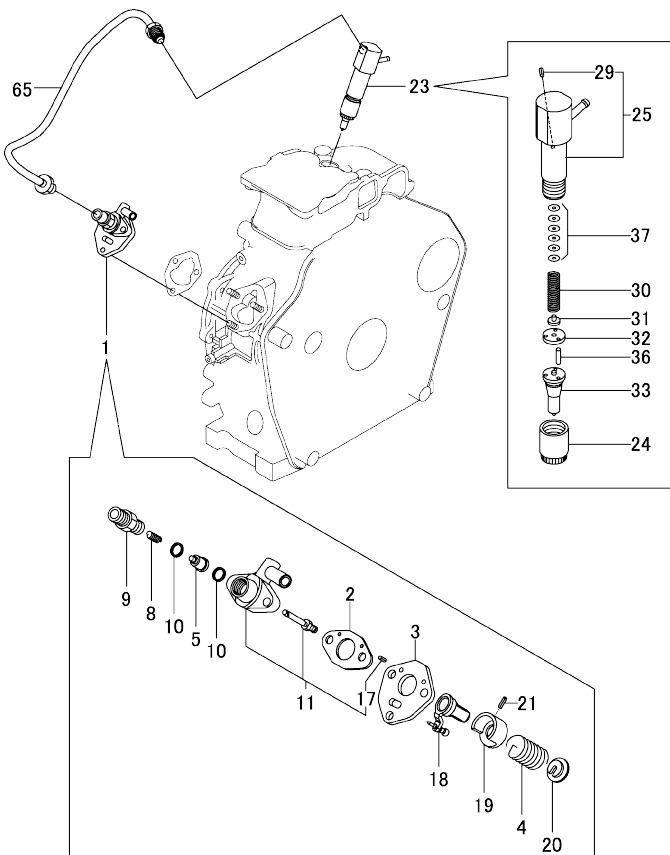


(A)=L48V5VAF3T0AAAN
(B)=
(C)=

(D)=
(E)=
(F)=

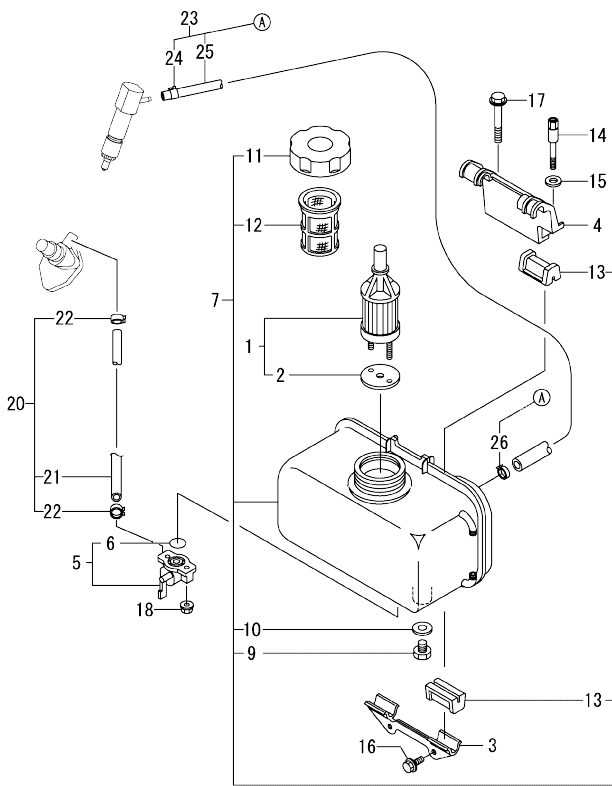
No.	Lev.	Parts No.	Description	Q'ty						I	R
				(A)	(B)	(C)	(D)	(E)	(F)		
1	1	114295-45150	CASE, COOLING FAN	1							
3	1	114299-45301	RUBBER, FAN CASE	4							
4	1	114299-45310	COLLAR, FAN CASE	4							
5	1	114120-45330	SEAL, FAN CASE	1							
6	1	114299-45350	BOLT, FAN CASE	4							

Fig.17. FUEL INJECTION PUMP & FUEL INJECTION VALVE



No.	Lev.	Parts No.	Description	Q'ty						I	R
				(A)	(B)	(C)	(D)	(E)	(F)		
1	1	714139-51210	PUMP ASSY, INJECTION	1							
2	2	105546-51020	GASKET, PUMP BODY	1							
3	2	114250-51080	PLATE	1							
4	2	114250-51160	SPRING, PLUNGER	1							
5	2	114250-51300	VALVE ASSY, DELIVERY	1							
8	2	105546-51330	SPRING, DELIVERY	1							
9	2	114250-51340	HOLDER, DELIVERY	1							
10	2	124550-51350	GASKET, DELIVERY	2							
11	2	114350-51200	BODY ASSY, PUMP	1							
17	4	22351-020006	PIN, SPRING 2.0X 6	2							
18	2	114250-51500	LEVER, CONTROL	1							
19	2	114250-51640	SEAT, SPRING A	1							
20	2	114250-51650	SEAT, SPRING B	1							
21	2	22351-030008	PIN, SPRING 3.0X 8	1							
23	1	7141A0-53100	VALVE ASSY, INJECTION	1							
24	2	114250-53080	NUT, NOZZLE	1							
25	2	114139-53100	HOLDER ASSY, NOZZLE	1							
29	3	22351-025005	PIN, SPRING 2.5X 6	1							
30	2	114250-53120	SPRING, NOZZLE	1							
31	2	114250-53130	SEAT, SPRING	1							
32	2	114250-53140	SPACER, VALVE STOP	1							
33	2	1141A0-53000	VALVE ASSY, INJECTION	1							
36	2	114250-53210	PIN, POSITIONING	2							
37	2	119803-53400	SHIM SET	1							
65	1	114120-59800	PIPE ASSY, INJECTION	1							

Fig.18. FUEL TANK & FUEL PIPE

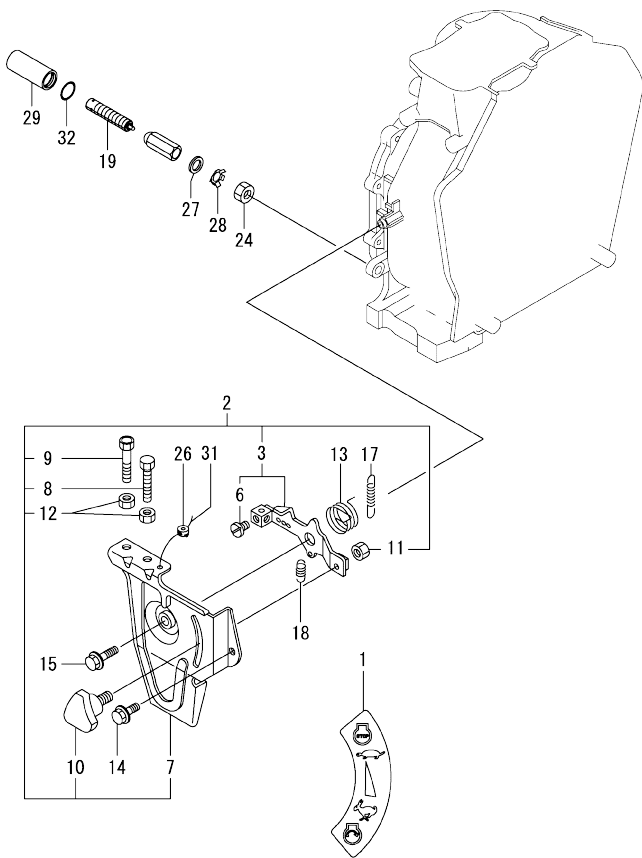


(A)=L48V5VAF3T0AAAN
(B)=
(C)=

(D)=
(E)=
(F)=

No.	Lev.	Parts No.	Description	Q'ty						I	R
				(A)	(B)	(C)	(D)	(E)	(F)		
1	1	114250-55122	FILTER ASSY,FUEL OIL	1							
2	2	114250-55130	GASKET	1							
3	1	114299-55210	STAY, FUEL TANK A	1							
4	1	114299-55230	STAY, FUEL TANK B	1							
5	1	114240-55300	COCK ASSY, FUEL	1							
6	2	24311-000125	O-RING, 1AP12.5	1							
7	1	11412C-55710	TANK ASSY, FUEL	1							
9	2	114299-55080	PLUG, DRAIN	1							
10	2	23414-080000	GASKET, 8X1.0	1							
11	2	114299-55040	CAP ASSY, FUEL TANK	1							
12	2	114299-55110	STRAINER, FUEL TANK	1							
13	2	114740-55200	DAMPER, FUEL TANK	4							
14	1	114210-55810	BOLT, LIFTING	2							
15	1	22117-080000	WASHER, 8	1							
16	1	26106-060162	BOLT, M6X 16 PLATED	2							
17	1	26106-080452	BOLT, M8X 45 PLATED	1							
18	1	26366-060002	NUT, M6	2							
20	1	114780-59010	PIPE ASSY, FUEL L50	1							
21	2	114780-59060	PIPE, FUEL L=50	1							
22	2	23080-014000	CLAMP, 14	2							
23	1	114120-59301	PIPE ASSY, FO RETURN	1							
24	2	124722-59050	CLAMP, HOSE 9	1							
25	2	114650-59061	PIPE, FO RETURN	1							
26	2	124066-59100	CLAMP, HOSE 8	1							

Fig.19. CONTROL DEVICE

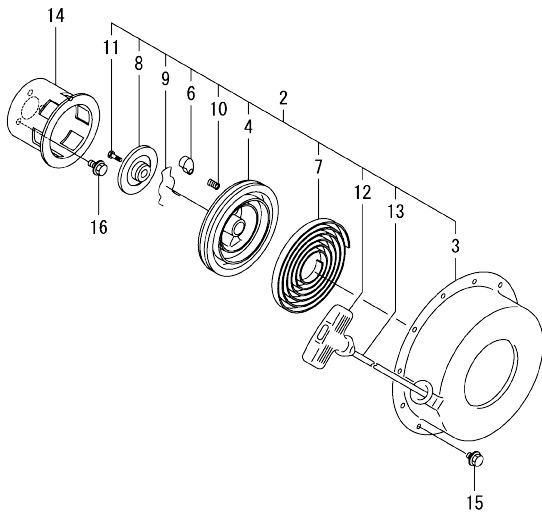


(A)=L48V5VAF3T0AAAAN
(B)=
(C)=

(D)=
(E)=
(F)=

No.	Lev.	Parts No.	Description	Q'ty						I	R
				(A)	(B)	(C)	(D)	(E)	(F)		
1	1	114220-07160	LABEL, THAI	1							
2	1	714210-66100	CONTROL ASSY, SPEED	1							
3	2	114210-66060	HANDLE ASSY	1							
6	3	26117-050089	BOLT, M5X 8 PLATED	1							
7	2	114210-66100	BRACKET, REGULATOR	1							
8	2	114299-66440	BOLT, ADJUSTER	1							
9	2	114299-67080	BOLT, ADJUST	1							
10	2	160725-78350	BOLT, KNOB M6X15	1							
11	2	26347-060002	NUT, M6	1							
12	2	26857-060002	NUT, M6	2							
13	1	114299-66250	SPRING, RETURN	1							
14	1	26106-060142	BOLT, M6X 14 PLATED	1							
15	1	26106-060202	BOLT, M6X 20 PLATED	1							
17	1	114770-66010	SPRING, REGULATOR	1							
18	1	114299-66201	SPRING, RETURN	1							
19	1	114211-66600	LIMITER ASSY, FUEL	1							
24	1	26776-100002	NUT, LOCK M10	1							
26	1	114780-61090	TIN	1							
27	1	114771-61800	WASHER, PLAIN 10	1							
28	1	114771-61820	PLATE	1							
29	1	114771-61900	PROTECTOR	1							
31	1	22451-060000	WIRE, 0.6	1							
32	1	24311-000125	O-RING, 1AP12.5	1							

Fig.20. RECOIL STARTER



(A)=L48V5VAF3T0AAAN
(B)=
(C)=

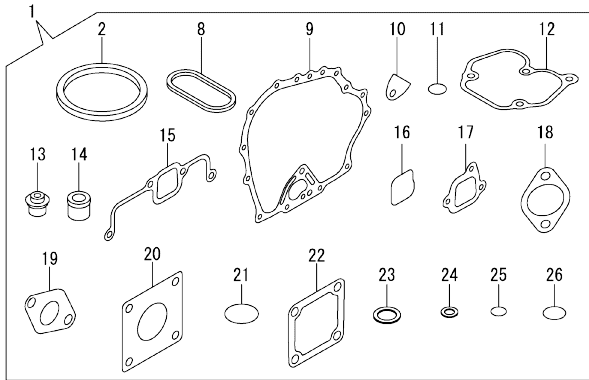
(D)=
(E)=
(F)=

No.	Lev.	Parts No.	Description	Q'ty					
				(A)	(B)	(C)	(D)	(E)	(F)
2	2	114299-76250	STARTER ASSY, RECOIL	1					
3	3	114299-76500	CASE, STARTER	1					
4	3	114299-76521	REEL, RECOIL STARTER	1					
6	3	114399-76531	RATCHET	1					
7	3	114399-76540	SPRING, SPIRAL	1					
8	3	114399-76550	COVER, RATCHET	1					
9	3	114399-76560	SPRING	1					
10	3	114399-76570	SPRING, RETURN	1					
11	3	114399-76580	SCREW	1					
12	3	114399-76620	KNOB, STARTER	1					
13	3	114299-76630	ROPE, STARTER	1					
14	2	114299-76590	PULLEY, STARTER	1					
15	1	26106-060082	BOLT, M6X 8 PLATED	4					
16	1	26106-060122	BOLT, M6X 12 PLATED	3					

Fig.22. GASKET SET

(A)=L48V5VAF3T0AAAAN
(B)=
(C)=

(D)=
(E)=
(F)=



No.	Lev.	Parts No.	Description	Q'ty						I	R
				(A)	(B)	(C)	(D)	(E)	(F)		
1	1	114120-92600	GASKET SET	1							1
2	2	114295-01330	GASKET, HEAD	1							
8	2	114299-01380	O-RING	1							
9	2	114299-01410	GASKET, CRANK CASE	1							
10	2	114250-01841	GASKET, COVER	1							
11	2	114299-01950	O-RING, 18	2							
12	2	114771-11310	GASKET, BONNET	1							
13	2	114250-11341	SEAL, VALVE STEM	2							
14	2	114771-11461	GASKET, NOZZLE	1							
15	2	114771-12200	GASKET, INTAKE PIPE	1							
16	2	114288-12210	O-RING, SUCTION PIPE	1							
17	2	114299-12210	GASKET, AIR CLEANER	2							
18	2	114299-12920	GASKET, AIR CLEANER	1							
19	2	114299-13200	GASKET, MUFFLER	1							
20	2	114299-21980	GASKET, OIL SEAL	1							
21	2	114299-32570	O-RING, PUMP COVER	1							
22	2	129100-77510	GASKET, AIR HEATER	3							
23	2	22190-160002	WASHER, SEAL 16	2							
24	2	23414-080000	GASKET, 8X1.0	1							
25	2	24341-000150	O-RING, 1AS15.0	1							
26	2	24341-000224	O-RING, 1AS22.4	1							

Remarks

(1)Optional parts.

Parts No. Index

Parts No.	Fig. No.	Ref. No.
105546-51020	17	2
105546-51330	17	8
114110-11910	4	27
114110-23200	11	28
114111-01450	1	39
114120-11120	4	8
114120-12570	6	4
114120-14400	8	8
114120-21710	9	1
114120-45330	16	5
114120-59301	18	23
114120-59800	17	65
114120-92600	22	1
11412C-23700	11	24
11412C-55710	18	7
114139-53100	17	25
1141A0-01010	1	1
1141A0-13540	7	2
1141A0-53000	17	33
114210-55810	18	14
114210-66060	19	3
114210-66100	19	7
114211-66600	19	19
114220-07100	3	3
114220-07110	3	5
114220-07130	3	9
114220-07160	3	10
	19	1
114240-11450	4	23
114240-11550	4	24
114240-55300	18	5
114250-01841	1	32
	22	10
114250-02113	1	52
114250-03591	4	37
114250-11180	4	9
114250-11240	4	14
	18	18
114250-11341	4	21
	22	13
114250-32010	13	1
114250-51080	17	3
114250-51160	17	4
114250-51300	17	5
114250-51340	17	9
114250-51500	17	18
114250-51640	17	19
114250-51650	17	20
114250-53080	17	24
114250-53120	17	30

Parts No.	Fig. No.	Ref. No.
114250-53130	17	31
114250-53140	17	32
114250-53210	17	36
114250-55122	18	1
114250-55130	18	2
114252-12550	6	3
114252-12560	6	7
114288-12210	22	16
114288-12520	6	5
114288-12532	6	6
114295-01330	1	10
	22	2
114295-11951	4	35
114295-45150	16	1
114295-61170	13	17
114299-01200	1	5
114299-01210	1	6
114299-01220	1	7
114299-01230	1	8
114299-01380	1	16
	22	8
114299-01410	1	38
	22	9
114299-01600	1	17
114299-01690	2	1
114299-01760	2	2
114299-01800	1	18
114299-01830	1	31
114299-01950	2	4
	22	11
114299-02030	1	51
114299-02220	1	53
114299-03640	4	40
114299-07101	3	4
114299-07111	3	6
114299-07160	3	7
114299-11600	4	25
114299-11901	4	26
114299-12210	6	1
	22	17
114299-12300	6	2
114299-12920	22	18
114299-13200	7	1
	22	19
114299-14200	8	6
114299-21220	10	1
114299-21550	10	2
114299-21590	10	3
114299-21600	10	6
114299-21980	22	20

Parts No.	Fig. No.	Ref. No.
114299-22300	11	9
114299-32070	13	7
114299-32570	13	8
	22	21
114299-35110	13	12
114299-35150	1	45
114299-45210	15	1
114299-45301	16	3
114299-45310	16	4
114299-45350	16	6
114299-55040	18	11
114299-55080	18	9
114299-55110	18	12
114299-55210	18	3
114299-55230	18	4
114299-59850	21	1
114299-61190	13	22
114299-61210	13	24
114299-61600	13	31
114299-61700	13	23
114299-66201	19	18
114299-66250	19	13
114299-66440	19	8
114299-67080	19	9
114299-76250	20	2
114299-76500	20	3
114299-76521	20	4
114299-76590	20	14
114299-76630	20	13
11429C-11030	4	1
11429C-11100	4	6
11429C-11110	4	7
11429C-11250	4	10
11429C-11260	4	11
11429C-11650	4	12
11429C-11660	4	16
11429C-14580	8	1
114350-51200	17	11
114399-01700	2	7
114399-76531	20	6
114399-76540	20	7
114399-76550	20	8
114399-76560	20	9
114399-76570	20	10
114399-76580	20	11
114399-76620	20	12
114650-12590	6	8
114650-59061	18	25
114740-02110	1	42
114740-02200	1	48

Parts No.	Fig. No.	Ref. No.
114740-02210	1	49
114740-23600	11	29
114740-23610	11	31
114740-23620	11	33
114740-23910	11	35
114740-55200	18	13
114770-61520	13	30
114770-61610	13	32
114770-66010	19	17
114771-11310	4	34
	22	12
114771-11461	22	14
114771-12010	5	1
114771-12200	5	2
	22	15
114771-14260	8	7
114771-61800	19	27
114771-61820	19	28
114771-61900	19	29
114780-59010	18	20
114780-59060	18	21
114780-61090	19	26
119260-11370	4	22
119803-53400	17	37
124066-59100	18	26
124550-51350	17	10
124722-59050	18	24
124950-01250	1	9
129100-61850	15	4
129100-77510	22	22
160210-02220	1	54
160310-14550	9	10
160725-78350	19	10
22117-080000	18	15
22190-160002	2	5
	22	23
22242-000120	4	20
22252-000190	11	10
22312-030160	4	43
	13	9
22312-040080	1	33
22322-030200	13	33
22351-020006	17	17
22351-025005	17	29
22351-030008	17	21
22351-040008	4	28
22451-060000	19	31
22512-040120	10	7
22512-050300	9	11
23080-014000	18	22

Parts No. Index

Parts No.	Fig. No.	Ref. No.
23414-080000	18	10
	22	24
23876-010000	14	1
24101-062020	12	6
24162-152112	1	55
24311-000125	18	6
	19	32
24341-000150	22	25
24341-000224	13	14
	22	26
26106-060082	20	15
26106-060122	13	10
	15	2
	20	16
26106-060142	7	4
	19	14
26106-060162	13	15
	18	16
26106-060202	19	15
26106-060252	1	46
	5	4
26106-060452	4	29
26106-060552	4	46
26106-080122	1	56
26106-080202	9	12
26106-080352	1	47
26106-080452	18	17
26106-100122	2	8
26117-050089	19	6
26216-080182	7	5
26226-060142	5	5
26226-060182	1	34
26226-060222	1	35
26226-060602	5	6
26306-080002	7	6
26347-060002	19	11
26366-060002	1	36
	4	30
	18	18
26776-100002	19	24
26856-060002	4	15
		19
26857-060002	19	12
27310-055001	4	31
714120-22590	11	17
714120-22630	11	11
714120-22720	11	1
714139-51210	17	1
7141A0-53100	17	23
714210-66100	19	2

Parts No.	Fig. No.	Ref. No.
714295-22500	11	3
714295-22560	11	13
714295-22570	11	19
714770-28531	12	1

Parts No.	Fig. No.	Ref. No.
-----------	----------	----------

Parts No.	Fig. No.	Ref. No.
-----------	----------	----------