

0CC50-M02300EN

P R E F A C E

This parts catalog is the 1st edition of L48V5VCL1T6CAIC for IPC.

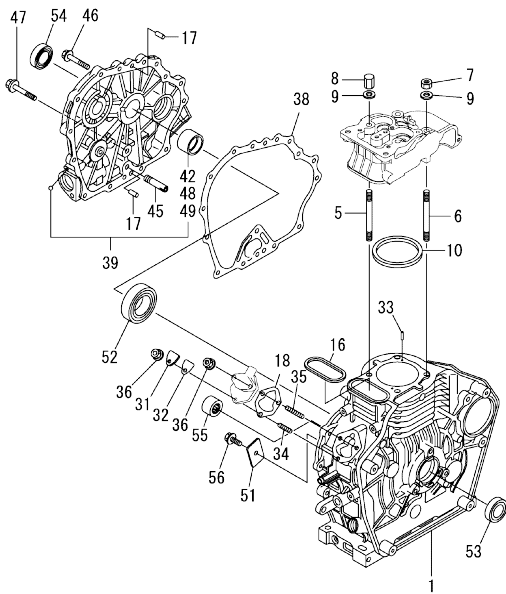
Published : October, 2019

Contents

0CC50-M02300

Fig. No.	Fig. Name	Fig. No.	Fig. Name
ENGINE			
1.	CYLINDER BLOCK		
2.	DRAIN PLUG		
3.	LABEL		
4.	CYLINDER HEAD & BONNET		
5.	SUCTION MANIFOLD		
6.	AIR CLEANER		
7.	EXHAUST MUFFLER		
8.	CAMSHAFT		
9.	CRANKSHAFT		
10.	FLYWHEEL		
11.	PISTON & CONNECTING ROD		
12.	BALANCER SHAFT		
13.	LUB. OIL PUMP & GOVERNOR		
14.	SWITCH CAP(OIL PRESSURE)		
15.	COVER		
16.	COOLING FAN CASE		
17.	FUEL INJECTION PUMP & FUEL INJECTION VALVE		
18.	FUEL TANK & FUEL PIPE		
19.	CONTROL DEVICE		
20.	STARTER MOTOR		
21.	ELECTRIC PARTS		
22.	DYNAMO		
23.	ACCESSORY		
24.	GASKET SET & TOOL		

Fig.1. CYLINDER BLOCK



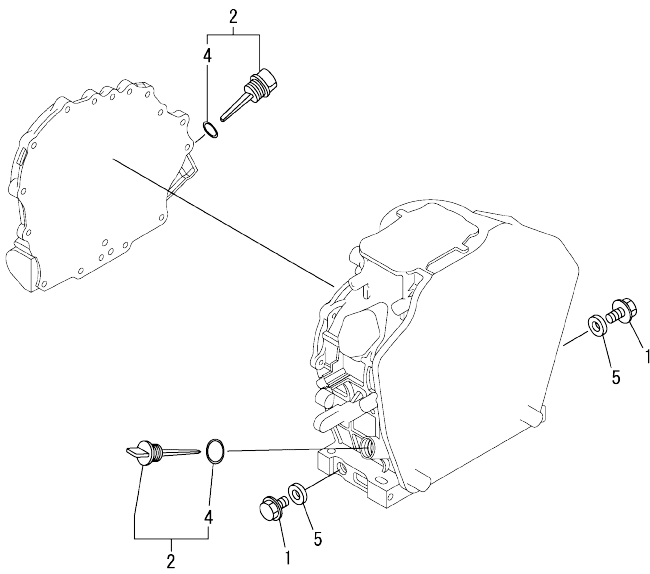
(A)=L48V5VCL1T6CAIC
(B)=
(C)=

(D)=
(E)=
(F)=

No.	Lev.	Parts No.	Description	Q'ty						I	R
				(A)	(B)	(C)	(D)	(E)	(F)		
1	1	1141A0-01010	BLOCK ASSY, CYLINDER	1							
5	1	114299-01200	BOLT, HEAD A	2							
6	1	114299-01210	BOLT, HEAD B	2							
7	1	114299-01220	NUT, CYLINDER HEAD A	2							
8	1	114299-01230	NUT, CYLINDER HEAD B	2							
9	1	124950-01250	WASHER, HEAD BOLT	4							
10	1	114295-01330	GASKET, HEAD	1							
16	1	114299-01380	O-RING	1							
17	1	114299-01600	PIN, PARALLEL 8X12	2							
18	1	114299-01800	SHIM SET, PUMP	1							
31	1	114299-01830	COVER, PUMP	1							
32	1	114250-01841	GASKET, COVER	1							
33	1	22312-040080	PIN, PARALLEL M4X 8	2							
34	1	26226-060182	STUD, M6X 18	1							
35	1	26226-060222	STUD, M6X 22	2							
36	1	26366-060002	NUT, M6	3							
38	1	114299-01410	GASKET, CRANK CASE	1							
39	1	114111-01450	COVER, CRANK CASE D	1							
42	2	114740-02110	BEARING, MAIN	1							1
45	1	114299-35150	PIPE, OIL INLET	1							
46	1	26106-060252	BOLT, M6X 25 PLATED	14							
47	1	26106-080352	BOLT, M8X 35 PLATED	1							
48	1	114740-02200	BEARING, MAIN 0.25OS	1							2
49	1	114740-02210	BEARING, MAIN 0.50OS	1							3
51	1	114299-02030	RETAINER, BEARING	1							
52	1	114250-02113	BEARING, HR6306G3C3	1							
53	1	114299-02220	SEAL, OIL	1							
54	1	160210-02220	SEAL, OIL 25X41.2X8	1							
55	1	24162-152112	BEARING, 152112	1							
56	1	26106-080122	BOLT, M8X 12 PLATED	1							

Remarks
 (1) Spare parts.
 (2) Over-sized (O.S.=0.25) parts.
 (3) Over-sized (O.S.=0.50) parts.

OCC50-M02300 ENGINE
 Fig.2. DRAIN PLUG



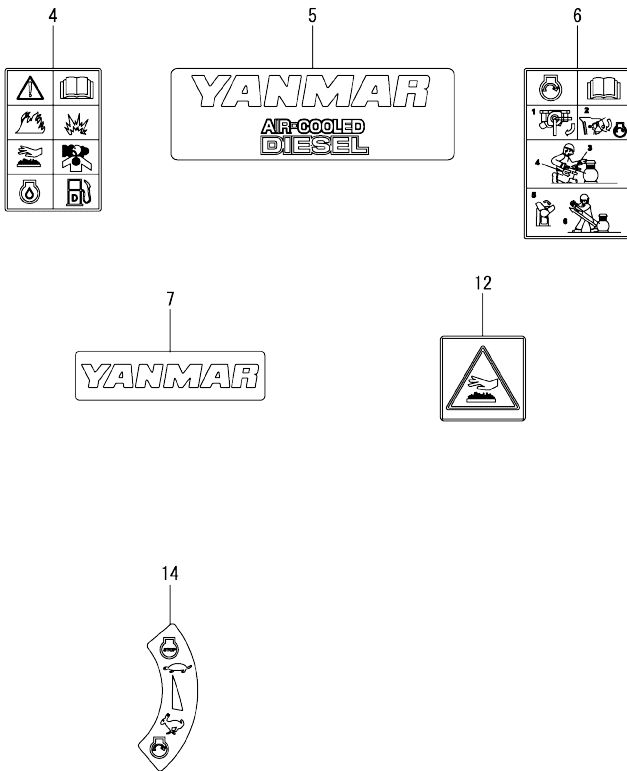
OCC50-M02300 Fig.2

(A)=L48V5VCL1T6CAIC
 (B)=
 (C)=

(D)=
 (E)=
 (F)=

No.	Lev.	Parts No.	Description	Q'ty					
				(A)	(B)	(C)	(D)	(E)	(F)
1	1	114299-01690	PLUG, DRAIN 16	2					
2	1	114299-01760	CAP ASSY, OIL SUPPLY	2					
4	2	114299-01950	O-RING, 18	2					
5	1	22190-160002	WASHER, SEAL 16	2					

Fig.3. LABEL



(A)=L48V5VCL1T6CAIC
(B)=
(C)=

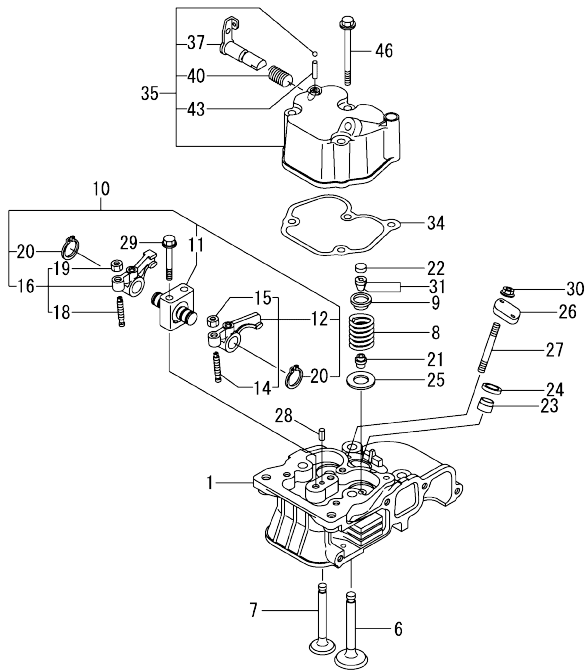
(D)=
(E)=
(F)=

No.	Lev.	Parts No.	Description	Q'ty						I	R
				(A)	(B)	(C)	(D)	(E)	(F)		
4	1	114220-07100	LABEL, CAUTION	1							
5	1	114299-07101	LABEL, YANMAR MARK A	1							
6	1	114220-07110	LABEL, HOW TO START	1							
7	1	114299-07111	LABEL, YANMAR MARK B	1							
12	1	114220-07130	LABEL, HOT SURFACE	1							
14	1	114220-07160	LABEL, THAI	1							

Fig.4. CYLINDER HEAD & BONNET

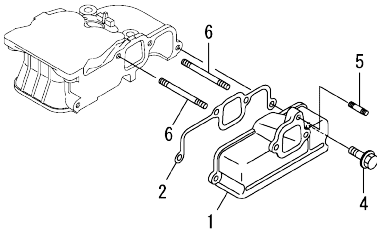
(A)=L48V5VCL1T6CAIC
(B)=
(C)=

(D)=
(E)=
(F)=



No.	Lev.	Parts No.	Description	Q'ty						I	R
				(A)	(B)	(C)	(D)	(E)	(F)		
1	1	11429C-11030	HEAD ASSY, CYLINDER	1							
6	1	11429C-11100	VALVE, INTAKE	1							
7	1	11429C-11110	VALVE, EXHAUST	1							
8	1	114120-11120	SPRING, VALVE	2							
9	1	114250-11180	RETAINER, SPRING	2							
10	1	11429C-11250	SUPPORT ASSY, ROCKER	1							
11	2	11429C-11260	SUPPORT, ROCKER ARM	1							
12	2	11429C-11650	ARM ASSY, ROCKER INT	1							
14	3	114250-11240	SCREW, VALVE ADJUST	1							
15	3	26856-060002	NUT, M6	1							
16	2	11429C-11660	ARM ASSY, ROCKER EXH	1							
18	3	114250-11240	SCREW, VALVE ADJUST	1							
19	3	26856-060002	NUT, M6	1							
20	2	22242-000120	RING, 12	2							
21	1	114250-11341	SEAL, VALVE STEM	2							
22	1	119260-11370	CAP VALVE	2							
23	1	114240-11450	PROTECTOR, NOZZLE	1							
24	1	114240-11550	SEAT, NOZZLE	1							
25	1	114299-11600	WASHER, VALVE SPRING	2							
26	1	114299-11901	RETAINER, VALVE	1							
27	1	114110-11910	STUD, M6X65	2							
28	1	22351-040008	PIN, SPRING 4.0X 8	1							
29	1	26106-060452	BOLT, M6X 45 PLATED	2							
30	1	26366-060002	NUT, M6	2							
31	1	27310-055001	COTTER, 5.5	2							
34	1	114771-11310	GASKET, BONNET	1							
35	1	114295-11951	BONNET ASSY, HEAD	1							
37	2	114250-03591	LEVER ASSY, DECOMP	1							
40	2	114299-03640	SPRING, DECOMPRESSION	1							
43	2	22312-030160	PIN, PARALLEL M3X16	1							
46	1	26106-060552	BOLT, M6X 55 PLATED	3							

Fig.5. SUCTION MANIFOLD

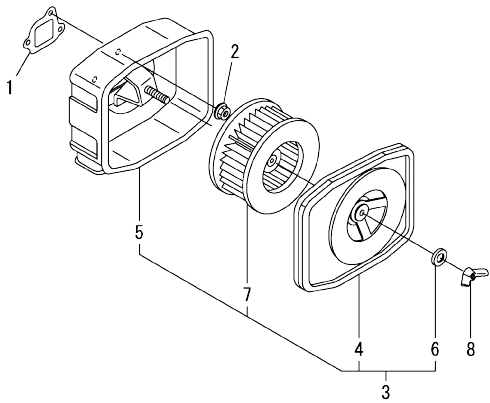


(A)=L48V5VCL1T6CAIC
(B)=
(C)=

(D)=
(E)=
(F)=

No.	Lev.	Parts No.	Description	Q'ty					
				(A)	(B)	(C)	(D)	(E)	(F)
1	1	114771-12010	PIPE, AIR INTAKE A	1					
2	1	114771-12200	GASKET, INTAKE PIPE	1					
4	1	26106-060252	BOLT, M6X 25 PLATED	2					
5	1	26226-060142	STUD, M6X 14	1					
6	1	26226-060602	STUD, M6X 60	2					

Fig.6. AIR CLEANER



(A)=L48V5VCL1T6CAIC
(B)=
(C)=

(D)=
(E)=
(F)=

No.	Lev.	Parts No.	Description	Q'ty						
				(A)	(B)	(C)	(D)	(E)	(F)	
1	1	114299-12210	GASKET, AIR CLEANER	1						
2	1	114299-12300	NUT	3						
3	1	114120-12550	CLEANER ASSY, AIR	1						
3-1	1	114250-12570	CLEANER, AIR	1						R
		(A=EM24364)								
4	2	114250-12520	COVER, AIR CLEANER	1						
5	2	114250-12530	CASE ASSY, CLEANER	1						
6	2	114250-12560	WASHER, SEAL M6	1						
7	2	114250-12581	ELEMENT, AIR CLEANER	1						
8	1	114250-12550	NUT, WING M6	1						

OCC50-M02300 ENGINE

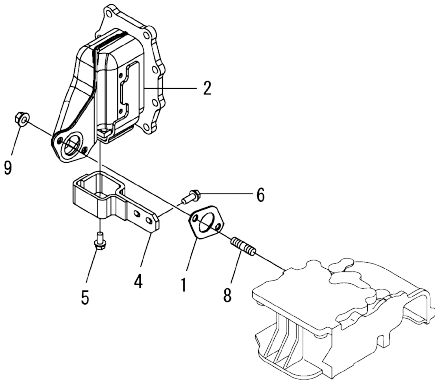
Fig.7. EXHAUST MUFFLER

OCC50-M02300 Fig.7

(A)=L48V5VCL1T6CAIC
(B)=
(C)=

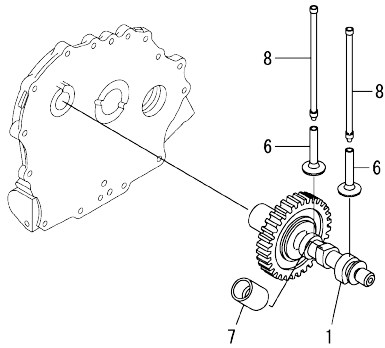
(D)=
(E)=
(F)=

No.	Lev.	Parts No.	Description	Q'ty					
				(A)	(B)	(C)	(D)	(E)	(F)
1	1	114299-13200	GASKET, MUFFLER	1					
2	1	1141A0-13600	CASE ASSY, DOC	1					
4	1	1141A0-13610	BRACKET, DOC CASE	1					
5	1	26106-080162	BOLT, M8X 16 PLATED	2					
6	1	26106-080202	BOLT, M8X 20 PLATED	2					
8	1	26216-080182	STUD, M8X 18	2					
9	1	26306-080002	NUT, M8	2					



OCC50-M02300 ENGINE
 Fig.8. CAMSHAFT

OCC50-M02300 Fig.8



No.	Lev.	Parts No.	Description	Q'ty					
				(A)	(B)	(C)	(D)	(E)	(F)
1	1	11429C-14580	CAMSHAFT ASSY	1					
6	1	114299-14200	TAPPET	2					
7	1	114771-14260	TAPPET	1					
8	1	114250-14451	ROD ASSY, PUSH	2					

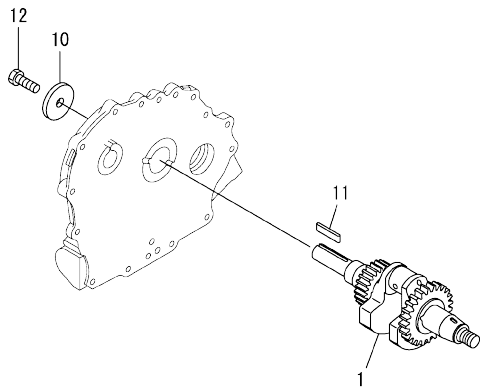
(A)=L48V5VCL1T6CAIC
 (B)=
 (C)=

(D)=
 (E)=
 (F)=

Fig.9. CRANKSHAFT

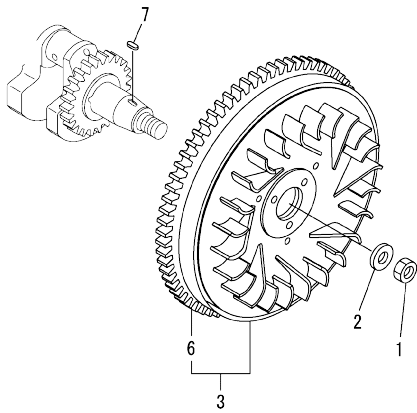
(A)=L48V5VCL1T6CAIC
(B)=
(C)=

(D)=
(E)=
(F)=



No.	Lev.	Parts No.	Description	Q'ty					
				(A)	(B)	(C)	(D)	(E)	(F)
1	1	11429C-21750	CRANKSHAFT ASSY, E-D	1					
10	1	160310-14550	WASHER, PULLEY	1					
11	1	160642-21150	KEY, FEATHER 4.7X30	1					
12	1	160642-21250	BOLT, 5/15-24UNF	1					

OCC50-M02300 ENGINE
 Fig.10. FLYWHEEL



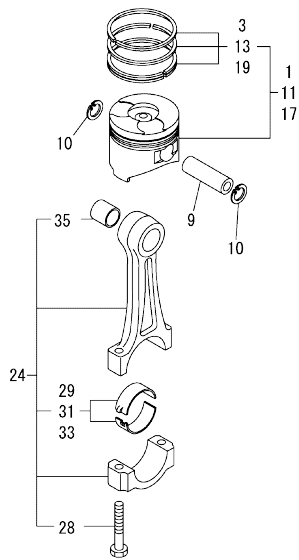
OCC50-M02300 Fig.10

(A)=L48V5VCL1T6CAIC
 (B)=
 (C)=

(D)=
 (E)=
 (F)=

No.	Lev.	Parts No.	Description	Q'ty					
				(A)	(B)	(C)	(D)	(E)	(F)
1	1	114299-21220	NUT, WHEEL	1					
2	1	114299-21550	WASHER, FLYWHEEL	1					
3	1	114299-21590	FLYWHEEL ASSY, DE	1					
6	2	114299-21600	GEAR, RING	1					
7	1	22512-040120	KEY, 4X 12	1					

Fig.11. PISTON & CONNECTING ROD



(A)=L48V5VCL1T6CAIC
(B)=
(C)=

(D)=
(E)=
(F)=

No.	Lev.	Parts No.	Description	Q'ty						I	R
				(A)	(B)	(C)	(D)	(E)	(F)		
1	1	714120-22720	PISTON ASSY, D	1							
3	2	714295-22500	RING SET, PISTON	1							
9	1	114299-22300	PIN, PISTON D=19	1							
10	1	22252-000190	RING, 19	2							
11	1	714120-22630	PISTON ASSY, 0.25 OS	1							1
13	2	714295-22560	RING SET, PISTON .25	1							1
17	1	714120-22590	PISTON ASSY, 0.50 OS	1							2
19	2	714295-22570	RING SET, PISTON .50	1							2
24	1	11412C-23700	ROD ASSY, CONNECTING	1							
28	3	114110-23200	BOLT, CONNECTING ROD	2							
29	2	114740-23600	METAL, CRANK PIN	1							
31	1	114740-23610	METAL, CRANK PIN 0.25	1							1
33	1	114740-23620	METAL, CRANK PIN 0.50	1							2
35	1	114740-23910	BUSH, PISTON PINN	1							3

Remarks
(1)Over-sized(O.S.=0.25) parts.
(2)Over-sized(O.S.=0.50) parts.
(3)Spare parts.

Fig.12. BALANCER SHAFT

(A)=L48V5VCL1T6CAIC
(B)=
(C)=

(D)=
(E)=
(F)=

No.	Lev.	Parts No.	Description	Q'ty					
				(A)	(B)	(C)	(D)	(E)	(F)
1	1	714770-28531	SHAFT ASSY, BALANCER	1					
6	1	24101-062020	BEARING, BALL 6202C3	2					

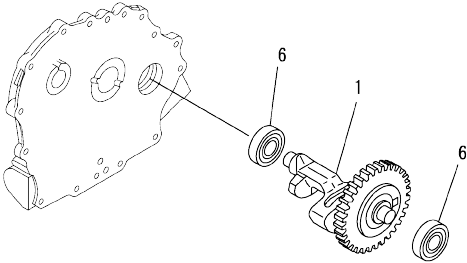
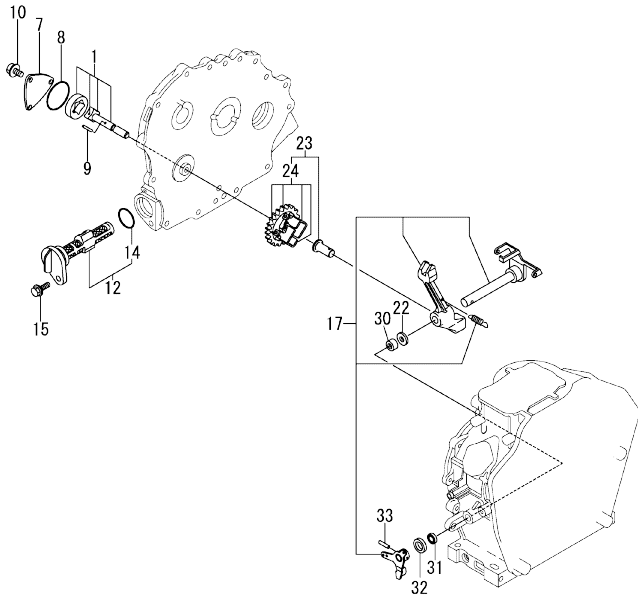


Fig.13. LUB. OIL PUMP & GOVERNOR



(A)=L48V5VCL1T6CAIC
(B)=
(C)=

(D)=
(E)=
(F)=

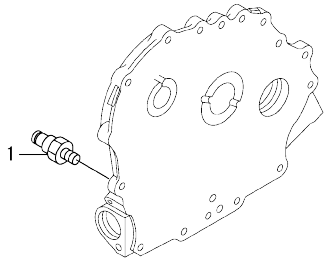
No.	Lev.	Parts No.	Description	Q'ty						I	R
				(A)	(B)	(C)	(D)	(E)	(F)		
1	1	114250-32010	PUMP ASSY, OIL	1							
7	1	114299-32070	COVER, OIL PUMP	1							
8	1	114299-32570	O-RING, PUMP COVER	1							
9	1	22312-030160	PIN, PARALLEL M3X16	1							
10	1	26106-060122	BOLT, M6X 12 PLATED	3							
12	1	114299-35110	FILTER ASSY, OIL	1							
14	2	24341-000224	O-RING, 1AS22.4	1							
15	1	26106-060162	BOLT, M6X 16 PLATED	1							
17	1	114295-61170	LEVER, GOVERNOR NO.2	1							1
22	1	114299-61190	WASHER, GOVERNOR	1							
23	1	114299-61700	GOVERNOR ASSY	1							
24	2	114299-61210	WEIGHT ASSY, GOVERNOR	1							
30	1	114770-61520	BEARING, NEEDLE	2							
31	1	114299-61600	SEAL, OIL	1							
32	1	114770-61610	WASHER, THRUST	1							
33	1	22322-030200	PIN, TAPER 3X20	1							

Remarks

(1) On a guarantee of quality, component parts shall not be sold.

OCC50-M02300 ENGINE

Fig.14. SWITCH CAP(OIL PRESSURE)



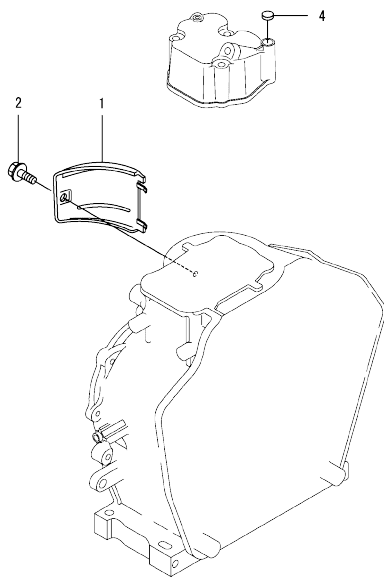
OCC50-M02300 Fig.14

(A)=L48V5VCL1T6CAIC
(B)=
(C)=

(D)=
(E)=
(F)=

No.	Lev.	Parts No.	Description	Q'ty						I	R
				(A)	(B)	(C)	(D)	(E)	(F)		
1	1	183250-39450	SWITCH, PRESSURE	1							

OCC50-M02300 ENGINE
 Fig.15. COVER



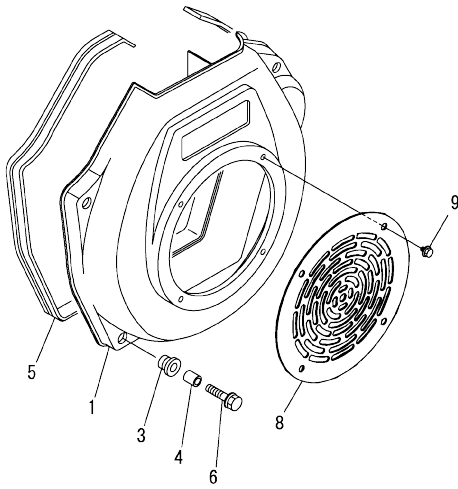
OCC50-M02300 Fig.15

(A)=L48V5VCL1T6CAIC
 (B)=
 (C)=

(D)=
 (E)=
 (F)=

No.	Lev.	Parts No.	Description	Q'ty					
				(A)	(B)	(C)	(D)	(E)	(F)
1	1	114299-45210	COVER, CYLINDER	1					
2	1	26106-060122	BOLT, M6X 12 PLATED	1					
4	1	129100-61850	PLUG, BORE 12	1					

Fig.16. COOLING FAN CASE

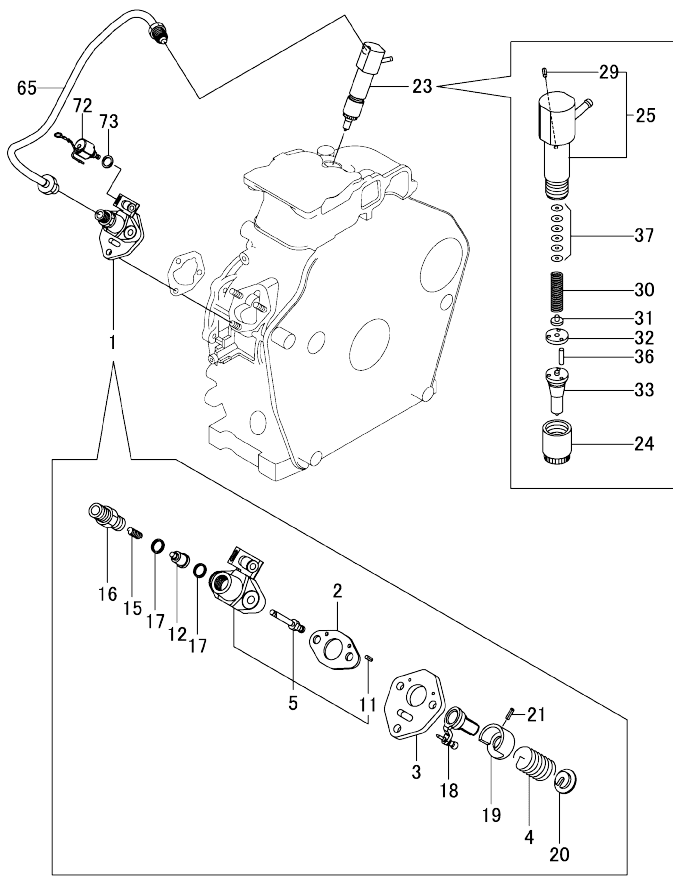


(A)=L48V5VCL1T6CAIC
(B)=
(C)=

(D)=
(E)=
(F)=

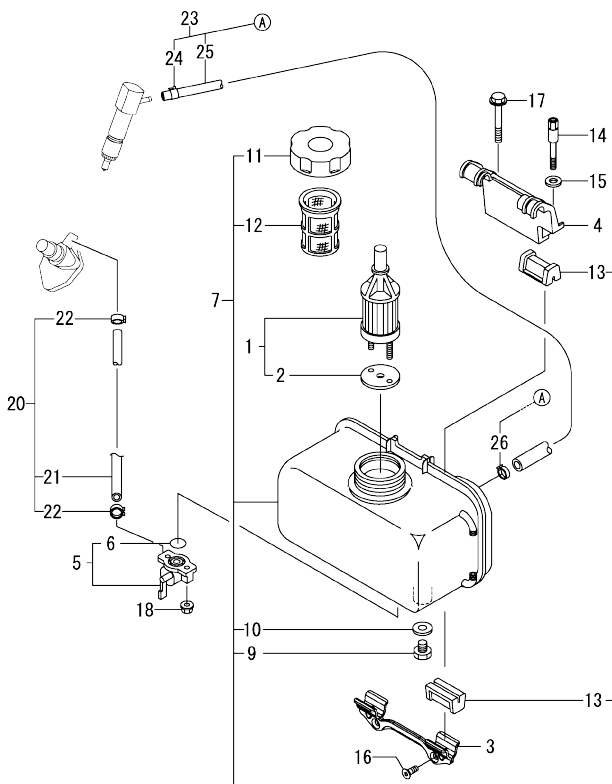
No.	Lev.	Parts No.	Description	Q'ty					
				(A)	(B)	(C)	(D)	(E)	(F)
1	1	114295-45150	CASE, COOLING FAN	1					
3	1	114299-45301	RUBBER, FAN CASE	4					
4	1	114299-45310	COLLAR, FAN CASE	4					
5	1	114120-45330	SEAL, FAN CASE	1					
6	1	114299-45350	BOLT, FAN CASE	4					
8	1	114120-45180	COVER, DUST	1					
9	1	26106-060082	BOLT, M6X 8 PLATED	4					

Fig.17. FUEL INJECTION PUMP & FUEL INJECTION VALVE



No.	Lev.	Parts No.	Description	Q'ty						I	R
				(A)	(B)	(C)	(D)	(E)	(F)		
1	1	714139-51310	PUMP ASSY, INJECTION	1							
2	2	105546-51020	GASKET, PUMP BODY	1							
3	2	114250-51080	PLATE	1							
4	2	114250-51160	SPRING, PLUNGER	1							
5	2	114139-51200	BODY ASSY, PUMP	1							
11	4	22351-020006	PIN, SPRING 2.0X 6	2							
12	2	114250-51300	VALVE ASSY, DELIVERY	1							
15	2	105546-51330	SPRING, DELIVERY	1							
16	2	114250-51340	HOLDER, DELIVERY	1							
17	2	124550-51350	GASKET, DELIVERY	2							
18	2	114250-51500	LEVER, CONTROL	1							
19	2	114250-51640	SEAT, SPRING A	1							
20	2	114250-51650	SEAT, SPRING B	1							
21	2	22351-030008	PIN, SPRING 3.0X 8	1							
23	1	7141A0-53100	VALVE ASSY, INJECTION	1							
24	2	114250-53080	NUT, NOZZLE	1							
25	2	114139-53100	HOLDER ASSY, NOZZLE	1							
29	3	22351-025005	PIN, SPRING 2.5X 6	1							
30	2	114250-53120	SPRING, NOZZLE	1							
31	2	114250-53130	SEAT, SPRING	1							
32	2	114250-53140	SPACER, VALVE STOP	1							
33	2	1141A0-53000	VALVE ASSY, INJECTION	1							
36	2	114250-53210	PIN, POSITIONING	2							
37	2	119803-53400	SHIM SET	1							
65	1	114120-59800	PIPE ASSY, INJECTION	1							
72	1	114110-76910	VALVE ASSY, FUEL CUT	1							
73	1	114299-83020	GASKET, 10X1.2	1							

Fig.18. FUEL TANK & FUEL PIPE

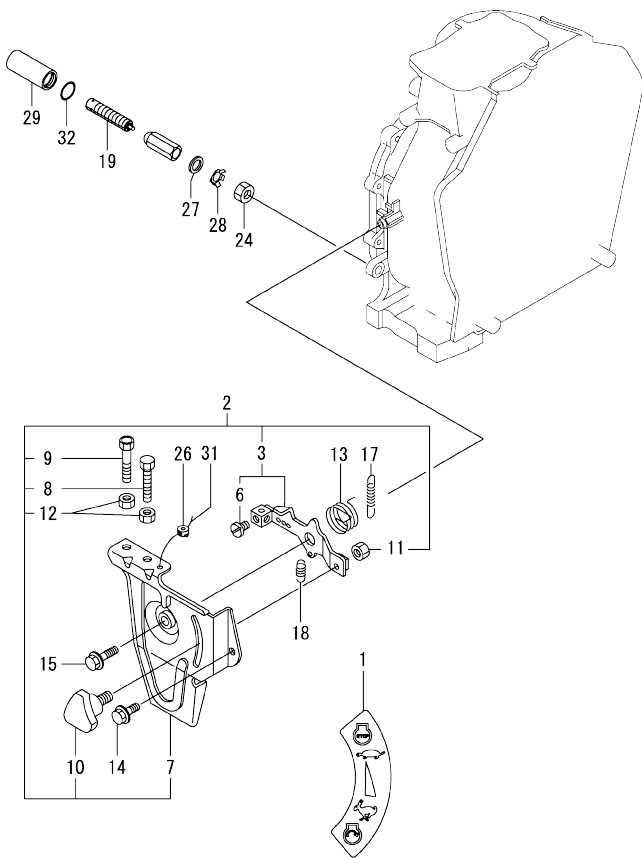


(A)=L48V5VCL1T6CAIC
(B)=
(C)=

(D)=
(E)=
(F)=

No.	Lev.	Parts No.	Description	Q'ty					
				(A)	(B)	(C)	(D)	(E)	(F)
1	1	114250-55122	FILTER ASSY,FUEL OIL	1					
2	2	114250-55130	GASKET	1					
3	1	114299-55220	STAY, FUEL TANK A	1					
4	1	114299-55230	STAY, FUEL TANK B	1					
5	1	114240-55300	COCK ASSY, FUEL	1					
6	2	24311-000125	O-RING, 1AP12.5	1					
7	1	11412C-55710	TANK ASSY, FUEL	1					
9	2	114299-55080	PLUG, DRAIN	1					
10	2	23414-080000	GASKET, 8X1.0	1					
11	2	114299-55040	CAP ASSY, FUEL TANK	1					
12	2	114299-55110	STRAINER, FUEL TANK	1					
13	2	114740-55200	DAMPER, FUEL TANK	4					
14	1	114210-55810	BOLT, LIFTING	1					
15	1	22117-080000	WASHER, 8	1					
16	1	114210-55300	BOLT	2					
17	1	26106-080452	BOLT, M8X 45 PLATED	1					
18	1	26366-060002	NUT, M6	2					
20	1	114780-59010	PIPE ASSY, FUEL L50	1					
21	2	114780-59060	PIPE, FUEL L=50	1					
22	2	23080-014000	CLAMP, 14	2					
23	1	114120-59301	PIPE ASSY, FO RETURN	1					
24	2	124722-59050	CLAMP, HOSE 9	1					
25	2	114650-59061	PIPE, FO RETURN	1					
26	2	124066-59100	CLAMP, HOSE 8	1					

Fig.19. CONTROL DEVICE

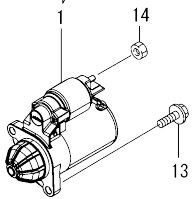
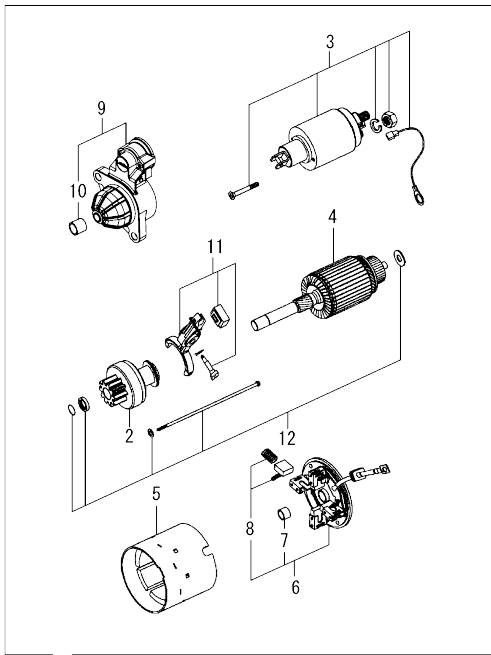


(A)=L48V5VCL1T6CAIC
(B)=
(C)=

(D)=
(E)=
(F)=

No.	Lev.	Parts No.	Description	Q'ty						I	R
				(A)	(B)	(C)	(D)	(E)	(F)		
1	1	114220-07160	LABEL, THAI	1							
2	1	714210-66100	CONTROL ASSY, SPEED	1							
3	2	114210-66060	HANDLE ASSY	1							
6	3	26117-050089	BOLT, M5X 8 PLATED	1							
7	2	114210-66100	BRACKET, REGULATOR	1							
8	2	114299-66440	BOLT, ADJUSTER	1							
9	2	114299-67080	BOLT, ADJUST	1							
10	2	160725-78350	BOLT, KNOB M6X15	1							
11	2	26347-060002	NUT, M6	1							
12	2	26857-060002	NUT, M6	2							
13	1	114299-66250	SPRING, RETURN	1							
14	1	26106-060142	BOLT, M6X 14 PLATED	1							
15	1	26106-060202	BOLT, M6X 20 PLATED	1							
17	1	114770-66010	SPRING, REGULATOR	1							
18	1	114299-66201	SPRING, RETURN	1							
19	1	114211-66600	LIMITER ASSY, FUEL	1							
24	1	26776-100002	NUT, LOCK M10	1							
26	1	114780-61090	TIN	1							
27	1	114771-61800	WASHER, PLAIN 10	1							
28	1	114771-61820	PLATE	1							
29	1	114771-61900	PROTECTOR	1							
31	1	22451-060000	WIRE, 0.6	1							
32	1	24311-000125	O-RING, 1AP12.5	1							

Fig.20. STARTER MOTOR

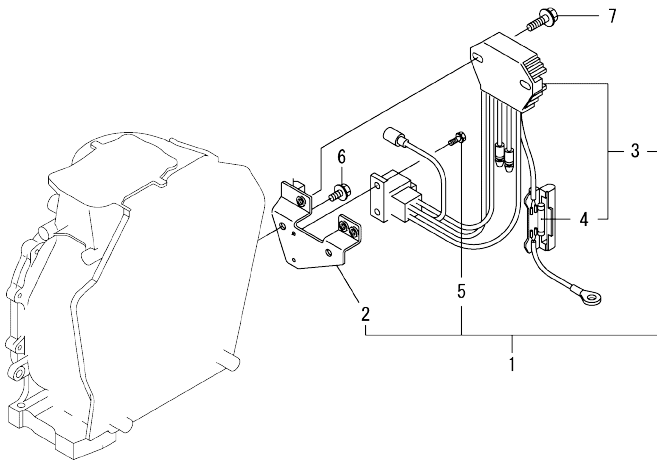


(A)=L48V5VCL1T6CAIC
(B)=
(C)=

(D)=
(E)=
(F)=

No.	Lev.	Parts No.	Description	Q'ty						I	R
				(A)	(B)	(C)	(D)	(E)	(F)		
1	1	114320-77010	MOTOR ASSY, STARTER	1							
2	2	114399-77040	CLUTCH ASSY, PINION	1							
3	2	114399-77060	SWITCH ASSY, MAGNET	1							
4	2	114320-77110	ARMATURE ASSY	1							
5	2	114320-77130	YOKE ASSY	1							
6	2	114399-77140	COVER ASSY, REAR	1							
7	3	114399-77050	BUSH, REAR	1							
8	3	114399-77160	HOLDER ASSY, BRUSH	4							
9	2	114399-77150	CASE ASSY, GEAR	1							
10	3	114399-77030	BUSH, TOP	1							
11	2	114399-77180	LEVER KIT, SHIFT	1							
12	2	114320-77770	BOLT ASSY, THROUGH	2							
13	1	26106-100302	BOLT, M10X 30 PLATED	2							
14	1	26716-080002	NUT, M8	1							

Fig.21. ELECTRIC PARTS



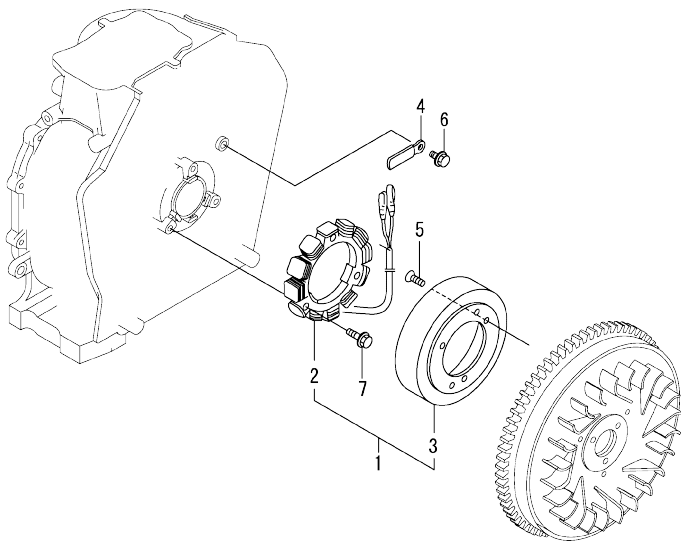
(A)=L48V5VCL1T6CAIC
(B)=
(C)=

(D)=
(E)=
(F)=

No.	Lev.	Parts No.	Description	Q'ty						I	R
				(A)	(B)	(C)	(D)	(E)	(F)		
1	1	114399-77560	REGULATOR ASSY	1							
2	2	114399-77410	BRACKET, HARNESS	1							
3	2	114399-77720	REGULATOR	1							
4	3	114399-78000	FUSE, 20A	1							
5	2	26023-040102	SCREW, M4X10	2							
6	1	26106-060122	BOLT, M6X 12 PLATED	2							
7	1	26106-060202	BOLT, M6X 20 PLATED	2							

OCC50-M02300 ENGINE
 Fig.22. DYNAMO

OCC50-M02300 Fig.22



(A)=L48V5VCL1T6CAIC
 (B)=
 (C)=

(D)=
 (E)=
 (F)=

No.	Lev.	Parts No.	Description	Q'ty					
				(A)	(B)	(C)	(D)	(E)	(F)
1	1	114399-78280	DINAMO ASSY. 15A	1					
2	2	114399-78770	STATOR ASSY	1					
3	2	114399-78780	WHEEL, DYNAMO	1					
4	1	160710-78710	CLAMP, CORD	1					
5	1	114210-78800	SCREW, M6	3					
6	1	26106-060122	BOLT, M6X 12 PLATED	1					
7	1	26106-060202	BOLT, M6X 20 PLATED	3					

OCC50-M02300 ENGINE

Fig.23. ACCESSORY

OCC50-M02300 Fig.23

(A)=L48V5VCL1T6CAIC
(B)=
(C)=

(D)=
(E)=
(F)=

No.	Lev.	Parts No.	Description	Q'ty						I	R
				(A)	(B)	(C)	(D)	(E)	(F)		
1	1	1142A0-13210	PACKING, FLANGE	1							
3	1	114351-77520	COUPLER	1							

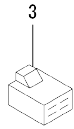
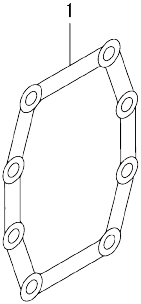
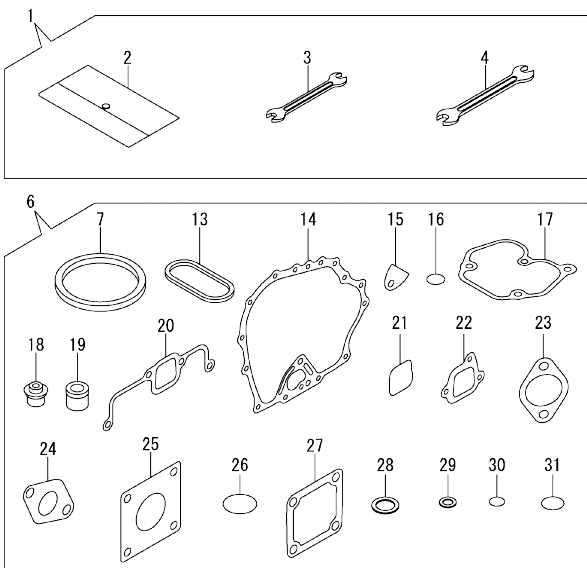


Fig.24. GASKET SET & TOOL

(A)=L48V5VCL1T6CAIC
(B)=
(C)=

(D)=
(E)=
(F)=



No.	Lev.	Parts No.	Description	Q'ty						I	R
				(A)	(B)	(C)	(D)	(E)	(F)		
1	1	114299-92590	TOOL ASSY	1							
2	2	114299-92600	BAG, TOOL	1							
3	2	114299-92710	WRENCH	1							
4	2	114299-92720	WRENCH	1							
6	1	114120-92600	GASKET SET	1							1
7	2	114295-01330	GASKET, HEAD	1							
13	2	114299-01380	O-RING	1							
14	2	114299-01410	GASKET, CRANK CASE	1							
15	2	114250-01841	GASKET, COVER	1							
16	2	114299-01950	O-RING, 18	2							
17	2	114771-11310	GASKET, BONNET	1							
18	2	114250-11341	SEAL, VALVE STEM	2							
19	2	114771-11461	GASKET, NOZZLE	1							
20	2	114771-12200	GASKET, INTAKE PIPE	1							
21	2	114288-12210	O-RING, SUCTION PIPE	1							
22	2	114299-12210	GASKET, AIR CLEANER	2							
23	2	114299-12920	GASKET, AIR CLEANER	1							
24	2	114299-13200	GASKET, MUFFLER	1							
25	2	114299-21980	GASKET, OIL SEAL	1							
26	2	114299-32570	O-RING, PUMP COVER	1							
27	2	129100-77510	GASKET, AIR HEATER	3							
28	2	22190-160002	WASHER, SEAL 16	2							
29	2	23414-080000	GASKET, 8X1.0	1							
30	2	24341-000150	O-RING, 1AS15.0	1							
31	2	24341-000224	O-RING, 1AS22.4	1							

Remarks

(1)Optional parts.

Parts No. Index

Parts No.	Fig. No.	Ref. No.	Parts No.	Fig. No.	Ref. No.	Parts No.	Fig. No.	Ref. No.	Parts No.	Fig. No.	Ref. No.
105546-51020	17	2	114250-14451	8	8	114299-14200	8	6	114399-77040	20	2
105546-51330	17	15	114250-32010	13	1	114299-21220	10	1	114399-77050	20	7
114110-11910	4	27	114250-51080	17	3	114299-21550	10	2	114399-77060	20	3
114110-23200	11	28	114250-51160	17	4	114299-21590	10	3	114399-77140	20	6
114110-76910	17	72	114250-51300	17	12	114299-21600	10	6	114399-77150	20	9
114111-01450	1	39	114250-51340	17	16	114299-21980	24	25	114399-77160	20	8
114120-11120	4	8	114250-51500	17	18	114299-22300	11	9	114399-77180	20	11
114120-12550	6	3	114250-51640	17	19	114299-32070	13	7	114399-77410	21	2
114120-45180	16	8	114250-51650	17	20	114299-32570	13	8	114399-77560	21	1
114120-45330	16	5	114250-53080	17	24		24	26	114399-77720	21	3
114120-59301	18	23	114250-53120	17	30	114299-35110	13	12	114399-78000	21	4
114120-59800	17	65	114250-53130	17	31	114299-35150	1	45	114399-78280	22	1
114120-92600	24	6	114250-53140	17	32	114299-45210	15	1	114399-78770	22	2
11412C-23700	11	24	114250-53210	17	36	114299-45301	16	3	114399-78780	22	3
11412C-55710	18	7	114250-55122	18	1	114299-45310	16	4	114650-59061	18	25
114139-51200	17	5	114250-55130	18	2	114299-45350	16	6	114740-02110	1	42
114139-53100	17	25	114288-12210	24	21	114299-55040	18	11	114740-02200	1	48
1141A0-01010	1	1	114295-01330	1	10	114299-55080	18	9	114740-02210	1	49
1141A0-13600	7	2		24	7	114299-55110	18	12	114740-23600	11	29
1141A0-13610	7	4	114295-11951	4	35	114299-55220	18	3	114740-23610	11	31
1141A0-53000	17	33	114295-45150	16	1	114299-55230	18	4	114740-23620	11	33
114210-55300	18	16	114295-61170	13	17	114299-61190	13	22	114740-23910	11	35
114210-55810	18	14	114299-01200	1	5	114299-61210	13	24	114740-55200	18	13
114210-66060	19	3	114299-01210	1	6	114299-61600	13	31	114770-61520	13	30
114210-66100	19	7	114299-01220	1	7	114299-61700	13	23	114770-61610	13	32
114210-78800	22	5	114299-01230	1	8	114299-66201	19	18	114770-66010	19	17
114211-66600	19	19	114299-01380	1	16	114299-66250	19	13	114771-11310	4	34
114220-07100	3	4		24	13	114299-66440	19	8		24	17
114220-07110	3	6	114299-01410	1	38	114299-67080	19	9	114771-11461	24	19
114220-07130	3	12		24	14	114299-83020	17	73	114771-12010	5	1
114220-07160	3	14	114299-01600	1	17	114299-92590	24	1	114771-12200	5	2
	19	1	114299-01690	2	1	114299-92600	24	2		24	20
114240-11450	4	23	114299-01760	2	2	114299-92710	24	3	114771-14260	8	7
114240-11550	4	24	114299-01800	1	18	114299-92720	24	4	114771-61800	19	27
114240-55300	18	5	114299-01830	1	31	11429C-11030	4	1	114771-61820	19	28
114250-01841	1	32	114299-01950	2	4	11429C-11100	4	6	114771-61900	19	29
	24	15		24	16	11429C-11110	4	7	114780-59010	18	20
114250-02113	1	52	114299-02030	1	51	11429C-11250	4	10	114780-59060	18	21
114250-03591	4	37	114299-02220	1	53	11429C-11260	4	11	114780-61090	19	26
114250-11180	4	9	114299-03640	4	40	11429C-11650	4	12	119260-11370	4	22
114250-11240	4	14	114299-07101	3	5	11429C-11660	4	16	119803-53400	17	37
		18	114299-07111	3	7	11429C-14580	8	1	124066-59100	18	26
114250-11341	4	21	114299-11600	4	25	11429C-21750	9	1	124550-51350	17	17
	24	18	114299-11901	4	26	1142A0-13210	23	1	124722-59050	18	24
114250-12520	6	4	114299-12210	6	1	114320-77010	20	1	124950-01250	1	9
114250-12530	6	5		24	22	114320-77110	20	4	129100-61850	15	4
114250-12550	6	8	114299-12300	6	2	114320-77130	20	5	129100-77510	24	27
114250-12560	6	6	114299-12920	24	23	114320-77770	20	12	160210-02220	1	54
114250-12570	6	3 -1	114299-13200	7	1	114351-77520	23	3	160310-14550	9	10
114250-12581	6	7		24	24	114399-77030	20	10	160642-21150	9	11

Parts No. Index

Parts No.	Fig. No.	Ref. No.
160642-21250	9	12
160710-78710	22	4
160725-78350	19	10
183250-39450	14	1
22117-08000	18	15
22190-160002	2	5
	24	28
22242-000120	4	20
22252-000190	11	10
22312-030160	4	43
	13	9
22312-040080	1	33
22322-030200	13	33
22351-020006	17	11
22351-025005	17	29
22351-030008	17	21
22351-040008	4	28
22451-060000	19	31
22512-040120	10	7
23080-014000	18	22
23414-080000	18	10
	24	29
24101-062020	12	6
24162-152112	1	55
24311-000125	18	6
	19	32
24341-000150	24	30
24341-000224	13	14
	24	31
26023-040102	21	5
26106-060082	16	9
26106-060122	13	10
	15	2
	21	6
	22	6
26106-060142	19	14
26106-060162	13	15
26106-060202	19	15
	21	7
	22	7
26106-060252	1	46
	5	4
26106-060452	4	29
26106-060552	4	46
26106-080122	1	56
26106-080162	7	5
26106-080202	7	6
26106-080352	1	47
26106-080452	18	17
26106-100302	20	13

Parts No.	Fig. No.	Ref. No.
26117-050089	19	6
26216-080182	7	8
26226-060142	5	5
26226-060182	1	34
26226-060222	1	35
26226-060602	5	6
26306-080002	7	9
26347-060002	19	11
26366-060002	1	36
	4	30
	18	18
26716-080002	20	14
26776-100002	19	24
26856-060002	4	15
		19
26857-060002	19	12
27310-055001	4	31
714120-22590	11	17
714120-22630	11	11
714120-22720	11	1
714139-51310	17	1
7141A0-53100	17	23
714210-66100	19	2
714295-22500	11	3
714295-22560	11	13
714295-22570	11	19
714770-28531	12	1

Parts No.	Fig. No.	Ref. No.
-----------	----------	----------

Parts No.	Fig. No.	Ref. No.
-----------	----------	----------