

0CC50-M03690EN

P R E F A C E

This parts catalog is the 1st edition of L48V6VFA1T8CAID for ITALIAN DEALER.

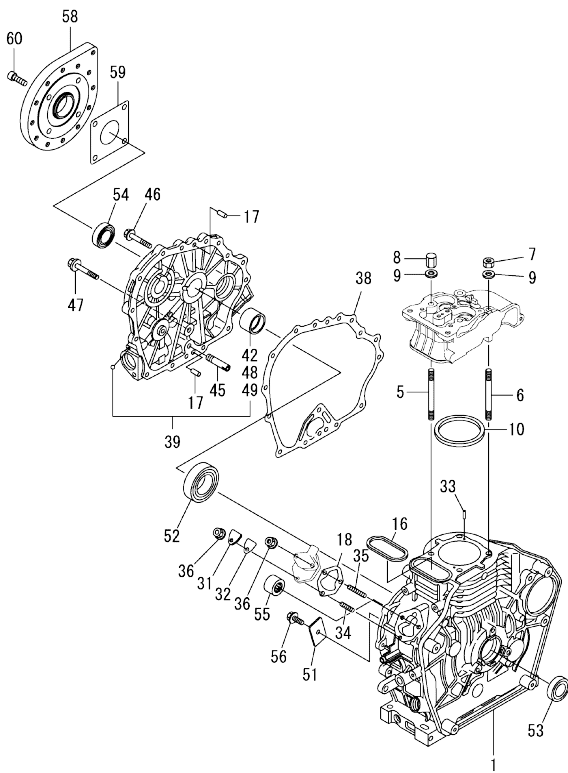
Published : April, 2021

Contents

OCC50-M03690

Fig. No.	Fig. Name	Fig. No.	Fig. Name
	ENGINE		25. GASKET SET & TOOL
1.	CYLINDER BLOCK		
2.	DRAIN PLUG		
3.	LABEL		
4.	CYLINDER HEAD & BONNET		
5.	SUCTION MANIFOLD		
6.	AIR CLEANER		
7.	EXHAUST MUFFLER		
8.	CAMSHAFT		
9.	CRANKSHAFT		
10.	FLYWHEEL		
11.	PISTON & CONNECTING ROD		
12.	BALANCER SHAFT		
13.	LUB. OIL PUMP & GOVERNOR		
14.	SWITCH CAP(OIL PRESSURE)		
15.	COVER		
16.	COOLING FAN CASE		
17.	FUEL INJECTION PUMP & FUEL INJECTION VALVE		
18.	FUEL TANK & FUEL PIPE		
19.	CONTROL DEVICE		
20.	RECOIL STARTER		
21.	STARTER MOTOR		
22.	ELECTRIC PARTS		
23.	KEY SWITCH		
24.	DYNAMO		

Fig.1. CYLINDER BLOCK



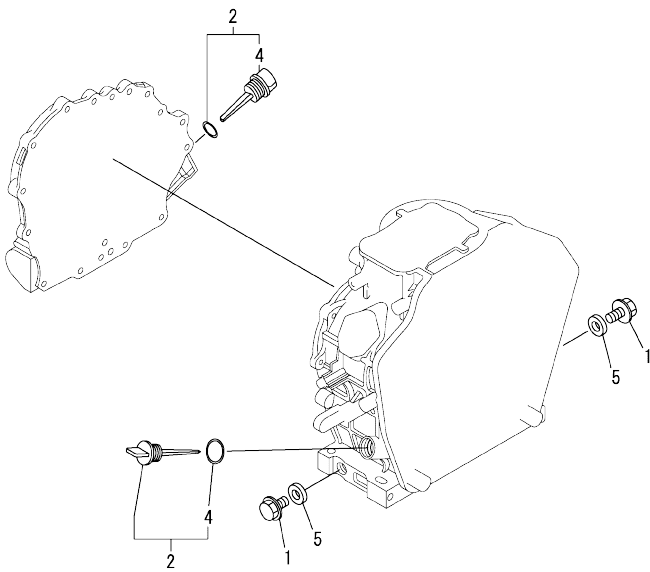
(A)=L48V6VFA1T8CAID
(B)=
(C)=

(D)=
(E)=
(F)=

No.	Lev.	Parts No.	Description	Qty						I	R
				(A)	(B)	(C)	(D)	(E)	(F)		
1	1	1141A0-01020	BLOCK ASSY, CYLINDER	1							
5	1	114299-01200	BOLT, HEAD A	2							
6	1	114299-01210	BOLT, HEAD B	2							
7	1	114299-01220	NUT, CYLINDER HEAD A	2							
8	1	114299-01230	NUT, CYLINDER HEAD B	2							
9	1	124950-01250	WASHER, HEAD BOLT	4							
10	1	114295-01330	GASKET, HEAD	1							
16	1	114299-01380	O-RING	1							
17	1	114299-01600	PIN, PARALLEL 8X12	2							
18	1	114299-01800	SHIM SET, PUMP	1							
31	1	114299-01830	COVER, PUMP	1							
32	1	114250-01841	GASKET, COVER	1							
33	1	22312-040080	PIN, PARALLEL M4X 8	2							
34	1	26226-060182	STUD, M6X 18	1							
35	1	26226-060222	STUD, M6X 22	2							
36	1	26366-060002	NUT, M6	3							
38	1	114299-01410	GASKET, CRANK CASE	1							
39	1	114111-01450	COVER, CRANK CASE D	1							
42	2	114740-02110	BEARING, MAIN	1							1
45	1	114299-35150	PIPE, OIL INLET	1							
46	1	26106-060252	BOLT, M6X 25 PLATED	14							
47	1	26106-080352	BOLT, M8X 35 PLATED	1							
48	1	114740-02200	BEARING, MAIN 0.25OS	1							2
49	1	114740-02210	BEARING, MAIN 0.50OS	1							3
51	1	114299-02030	RETAINER, BEARING	1							
52	1	114250-02113	BEARING, HR6306G3C3	1							
53	1	114299-02220	SEAL, OIL	1							
54	1	160210-02220	SEAL, OIL 25X41.2X8	1							
55	1	24162-152112	BEARING, 152112	1							
56	1	26106-080122	BOLT, M8X 12 PLATED	1							
58	1	114299-21960	FLANGE	1							
59	1	114299-21980	GASKET, OIL SEAL	1							
60	1	26453-080252	BOLT, M8X 25	4							

Remarks
 (1) Spare parts.
 (2) Over-sized (O.S.=0.25) parts.
 (3) Over-sized (O.S.=0.50) parts.

OCC50-M03690 ENGINE
 Fig.2. DRAIN PLUG



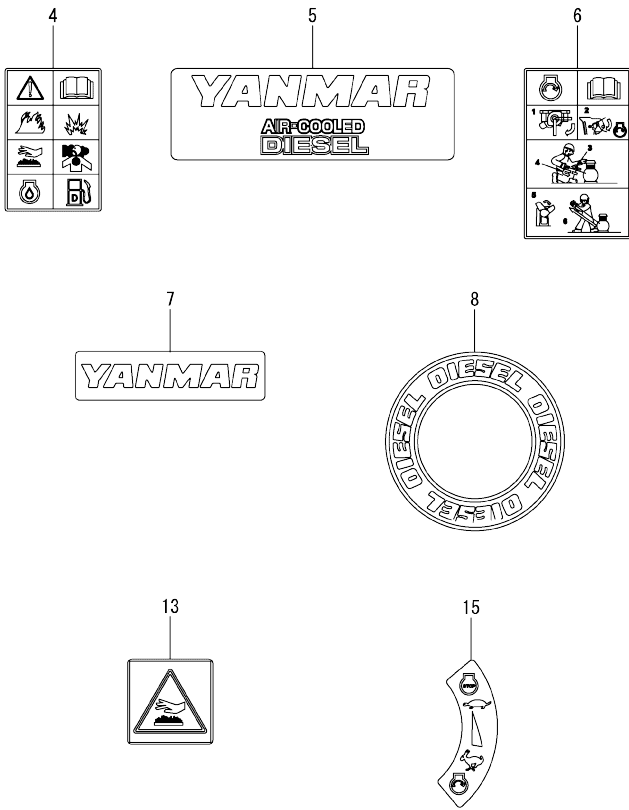
OCC50-M03690 Fig.2

(A)=L48V6VFA1T8CAID
 (B)=
 (C)=

(D)=
 (E)=
 (F)=

No.	Lev.	Parts No.	Description	Q'ty						I	R
				(A)	(B)	(C)	(D)	(E)	(F)		
1	1	114299-01690	PLUG, DRAIN 16	2							
2	1	114299-01760	CAP ASSY, OIL SUPPLY	2							
4	2	114299-01950	O-RING, 18	2							
5	1	22190-160002	WASHER, SEAL 16	2							

Fig.3. LABEL



(A)=L48V6VFA1T8CAID
(B)=
(C)=

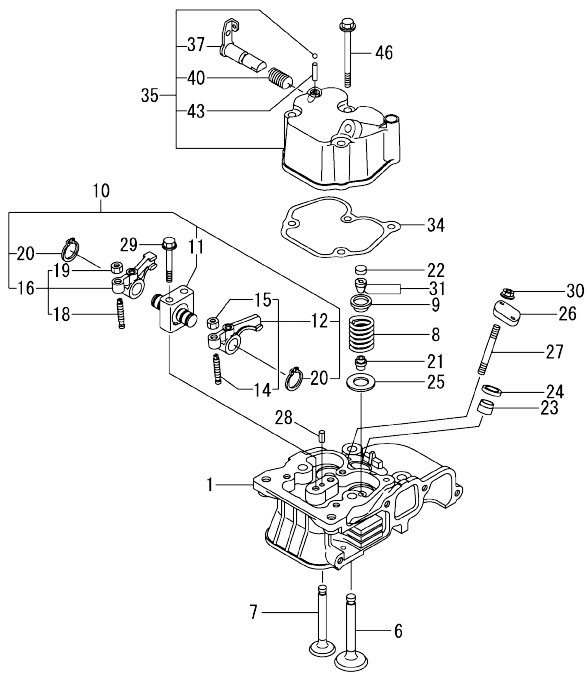
(D)=
(E)=
(F)=

No.	Lev.	Parts No.	Description	Q'ty					
				(A)	(B)	(C)	(D)	(E)	(F)
4	1	114220-07100	LABEL, CAUTION	1					
5	1	114299-07101	LABEL, YANMAR MARK A	1					
6	1	114220-07110	LABEL, HOW TO START	1					
7	1	114299-07111	LABEL, YANMAR MARK B	1					
8	1	114299-07160	LABEL, DIESEL	1					
13	1	114220-07130	LABEL, HOT SURFACE	1					
15	1	114220-07160	LABEL, THAI	1					

Fig.4. CYLINDER HEAD & BONNET

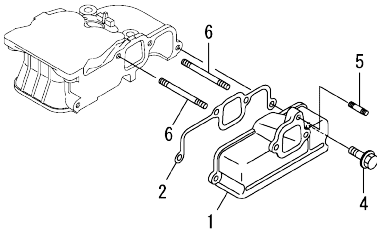
(A)=L48V6VFA1T8CAID
(B)=
(C)=

(D)=
(E)=
(F)=



No.	Lev.	Parts No.	Description	Q'ty						I	R
				(A)	(B)	(C)	(D)	(E)	(F)		
1	1	11429C-11030	HEAD ASSY, CYLINDER	1							
6	1	11429C-11100	VALVE, INTAKE	1							
7	1	11429C-11110	VALVE, EXHAUST	1							
8	1	114120-11120	SPRING, VALVE	2							
9	1	114250-11180	RETAINER, SPRING	2							
10	1	11429C-11250	SUPPORT ASSY, ROCKER	1							
11	2	11429C-11260	SUPPORT, ROCKER ARM	1							
12	2	11429C-11650	ARM ASSY, ROCKER INT	1							
14	3	114250-11240	SCREW, VALVE ADJUST	1							
15	3	26856-060002	NUT, M6	1							
16	2	11429C-11660	ARM ASSY, ROCKER EXH	1							
18	3	114250-11240	SCREW, VALVE ADJUST	1							
19	3	26856-060002	NUT, M6	1							
20	2	22242-000120	RING, 12	2							
21	1	114250-11341	SEAL, VALVE STEM	2							
22	1	119260-11370	CAP VALVE	2							
23	1	114240-11450	PROTECTOR, NOZZLE	1							
24	1	114240-11550	SEAT, NOZZLE	1							
25	1	114299-11600	WASHER, VALVE SPRING	2							
26	1	114299-11901	RETAINER, VALVE	1							
27	1	114110-11910	STUD, M6X65	2							
28	1	22351-040008	PIN, SPRING 4.0X 8	1							
29	1	26106-060452	BOLT, M6X 45 PLATED	2							
30	1	26366-060002	NUT, M6	2							
31	1	27310-055001	COTTER, 5.5	2							
34	1	114771-11310	GASKET, BONNET	1							
35	1	114295-11951	BONNET ASSY, HEAD	1							
37	2	114250-03591	LEVER ASSY, DECOMP	1							
40	2	114299-03640	SPRING, DECOMPRESSION	1							
43	2	22312-030160	PIN, PARALLEL M3X16	1							
46	1	26106-060552	BOLT, M6X 55 PLATED	3							

Fig.5. SUCTION MANIFOLD

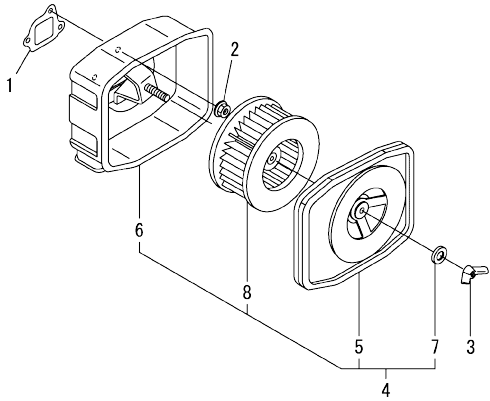


(A)=L48V6VFA1T8CAID
(B)=
(C)=

(D)=
(E)=
(F)=

No.	Lev.	Parts No.	Description	Q'ty					
				(A)	(B)	(C)	(D)	(E)	(F)
1	1	114771-12010	PIPE, AIR INTAKE A	1					
2	1	114771-12200	GASKET, INTAKE PIPE	1					
4	1	26106-060252	BOLT, M6X 25 PLATED	2					
5	1	26226-060142	STUD, M6X 14	1					
6	1	26226-060602	STUD, M6X 60	2					

Fig.6. AIR CLEANER

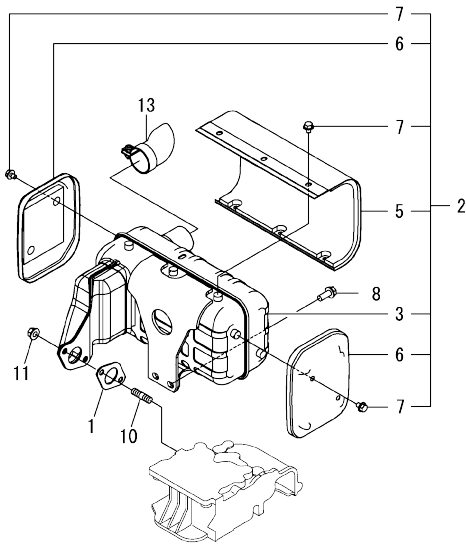


(A)=L48V6VFA1T8CAID
(B)=
(C)=

(D)=
(E)=
(F)=

No.	Lev.	Parts No.	Description	Q'ty					
				(A)	(B)	(C)	(D)	(E)	(F)
1	1	114299-12210	GASKET, AIR CLEANER	1					
2	1	114299-12300	NUT	3					
3	1	114250-12550	NUT, WING M6	1					
4	1	114250-12570	CLEANER, AIR	1					
5	2	114250-12520	COVER, AIR CLEANER	1					
6	2	114250-12530	CASE ASSY, CLEANER	1					
7	2	114250-12560	WASHER, SEAL M6	1					
8	2	114250-12581	ELEMENT, AIR CLEANER	1					

Fig.7. EXHAUST MUFFLER



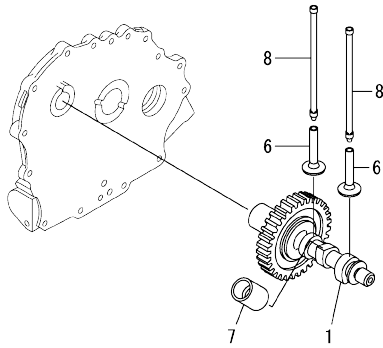
(A)=L48V6VFA1T8CAID
(B)=
(C)=

(D)=
(E)=
(F)=

No.	Lev.	Parts No.	Description	Q'ty					
				(A)	(B)	(C)	(D)	(E)	(F)
1	1	114299-13200	GASKET, MUFFLER	1					
2	1	1141A0-13500	MUFFLER ASSY	1					
3	2	1141A0-13560	MUFFLER	1					
5	2	1143A0-13700	COVER, MUFFLER A	1					
6	2	1143A0-13710	COVER, MUFFLER B	2					
7	2	114252-13950	BOLT, M6X8	10					
8	1	26106-080202	BOLT, M8X 20 PLATED	2					
10	1	26216-080182	STUD, M8X 18	2					
11	1	26306-080002	NUT, M8	2					
13	1	114320-13800	DEFLECTOR ASSY, EXH	1					

OCC50-M03690 ENGINE
 Fig.8. CAMSHAFT

OCC50-M03690 Fig.8



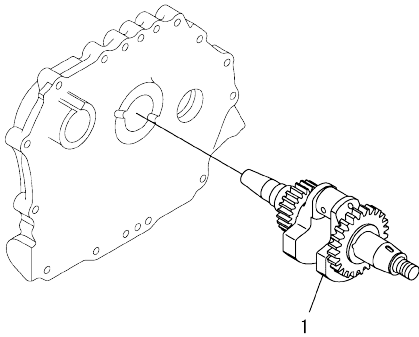
(A)=L48V6VFA1T8CAID
 (B)=
 (C)=

(D)=
 (E)=
 (F)=

No.	Lev.	Parts No.	Description	Q'ty					
				(A)	(B)	(C)	(D)	(E)	(F)
1	1	11429C-14580	CAMSHAFT ASSY	1					
6	1	114299-14200	TAPPET	2					
7	1	114771-14260	TAPPET	1					
8	1	114120-14400	ROD ASSY, PUSH	2					

OCC50-M03690 ENGINE

Fig.9. CRANKSHAFT



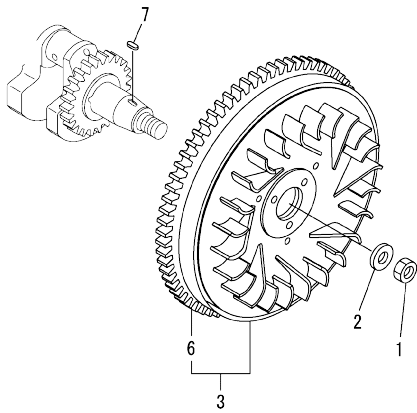
OCC50-M03690 Fig.9

(A)=L48V6VFA1T8CAID
(B)=
(C)=

(D)=
(E)=
(F)=

No.	Lev.	Parts No.	Description	Q'ty						I	R
				(A)	(B)	(C)	(D)	(E)	(F)		
1	1	114120-21760	CRANKSHAFT ASSY,E-DI	1							

OCC50-M03690 ENGINE
 Fig.10. FLYWHEEL



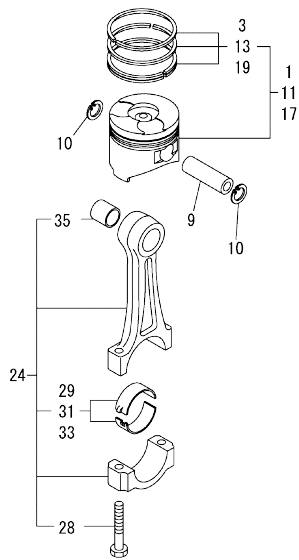
OCC50-M03690 Fig.10

(A)=L48V6VFA1T8CAID
 (B)=
 (C)=

(D)=
 (E)=
 (F)=

No.	Lev.	Parts No.	Description	Q'ty					
				(A)	(B)	(C)	(D)	(E)	(F)
1	1	114299-21220	NUT, WHEEL	1					
2	1	114299-21550	WASHER, FLYWHEEL	1					
3	1	114299-21590	FLYWHEEL ASSY, DE	1					
6	2	114299-21600	GEAR, RING	1					
7	1	22512-040120	KEY, 4X 12	1					

Fig.11. PISTON & CONNECTING ROD



(A)=L48V6VFA1T8CAID
(B)=
(C)=

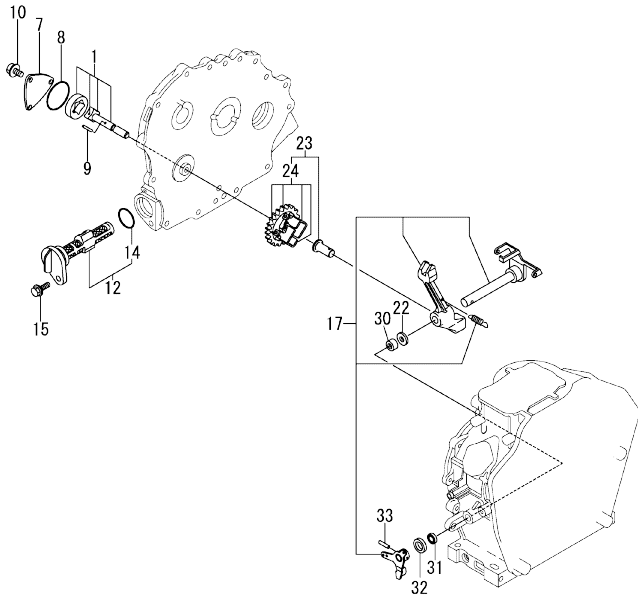
(D)=
(E)=
(F)=

No.	Lev.	Parts No.	Description	Q'ty						I	R
				(A)	(B)	(C)	(D)	(E)	(F)		
1	1	714120-22720	PISTON ASSY, D	1							
3	2	714295-22500	RING SET, PISTON	1							
9	1	114299-22300	PIN, PISTON D=19	1							
10	1	22252-000190	RING, 19	2							
11	1	714120-22630	PISTON ASSY, 0.25 OS	1							1
13	2	714295-22560	RING SET, PISTON .25	1							1
17	1	714120-22590	PISTON ASSY, 0.50 OS	1							2
19	2	714295-22570	RING SET, PISTON .50	1							2
24	1	11412C-23700	ROD ASSY, CONNECTING	1							
28	3	114110-23200	BOLT, CONNECTING ROD	2							
29	2	114740-23600	METAL, CRANK PIN	1							
31	1	114740-23610	METAL, CRANK PIN 0.25	1							1
33	1	114740-23620	METAL, CRANK PIN 0.50	1							2
35	1	114740-23910	BUSH, PISTON PINN	1							3

Remarks

- (1)Over-sized(O.S.=0.25) parts.
- (2)Over-sized(O.S.=0.50) parts.
- (3)Spare parts.

Fig.13. LUB. OIL PUMP & GOVERNOR



(A)=L48V6VFA1T8CAID
(B)=
(C)=

(D)=
(E)=
(F)=

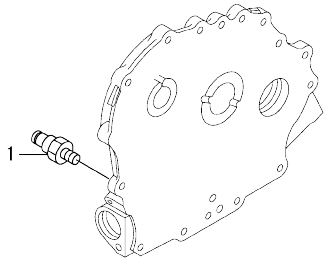
No.	Lev.	Parts No.	Description	Q'ty						I	R
				(A)	(B)	(C)	(D)	(E)	(F)		
1	1	114250-32010	PUMP ASSY, OIL	1							
7	1	114299-32070	COVER, OIL PUMP	1							
8	1	114299-32570	O-RING, PUMP COVER	1							
9	1	22312-030160	PIN, PARALLEL M3X16	1							
10	1	26106-060122	BOLT, M6X 12 PLATED	3							
12	1	114299-35110	FILTER ASSY, OIL	1							
14	2	24341-000224	O-RING, 1AS22.4	1							
15	1	26106-060162	BOLT, M6X 16 PLATED	1							
17	1	114295-61170	LEVER, GOVERNOR NO.2	1							1
22	1	114299-61190	WASHER, GOVERNOR	1							
23	1	114299-61700	GOVERNOR ASSY	1							
24	2	114299-61210	WEIGHT ASSY, GOVERNOR	1							
30	1	114770-61520	BEARING, NEEDLE	2							
31	1	114299-61600	SEAL, OIL	1							
32	1	114770-61610	WASHER, THRUST	1							
33	1	22322-030200	PIN, TAPER 3X20	1							

Remarks

(1) On a guarantee of quality, component parts shall not be sold.

OCC50-M03690 ENGINE

Fig.14. SWITCH CAP(OIL PRESSURE)



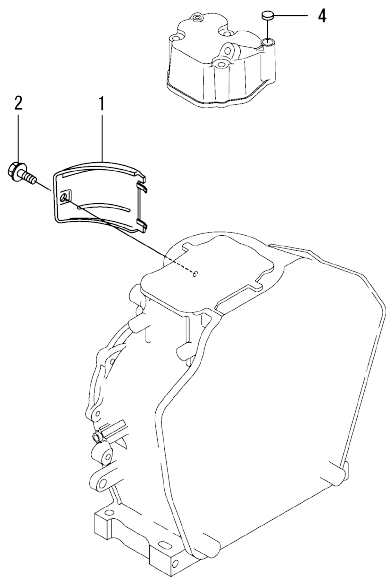
OCC50-M03690 Fig.14

(A)=L48V6VFA1T8CAID
(B)=
(C)=

(D)=
(E)=
(F)=

No.	Lev.	Parts No.	Description	Q'ty						I	R
				(A)	(B)	(C)	(D)	(E)	(F)		
1	1	183250-39450	SWITCH, PRESSURE	1							

OCC50-M03690 ENGINE
 Fig.15. COVER



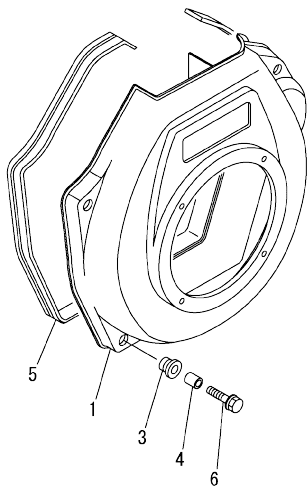
OCC50-M03690 Fig.15

(A)=L48V6VFA1T8CAID
 (B)=
 (C)=

(D)=
 (E)=
 (F)=

No.	Lev.	Parts No.	Description	Q'ty					
				(A)	(B)	(C)	(D)	(E)	(F)
1	1	114299-45210	COVER, CYLINDER	1					
2	1	26106-060122	BOLT, M6X 12 PLATED	1					
4	1	129100-61850	PLUG, BORE 12	1					

Fig.16. COOLING FAN CASE

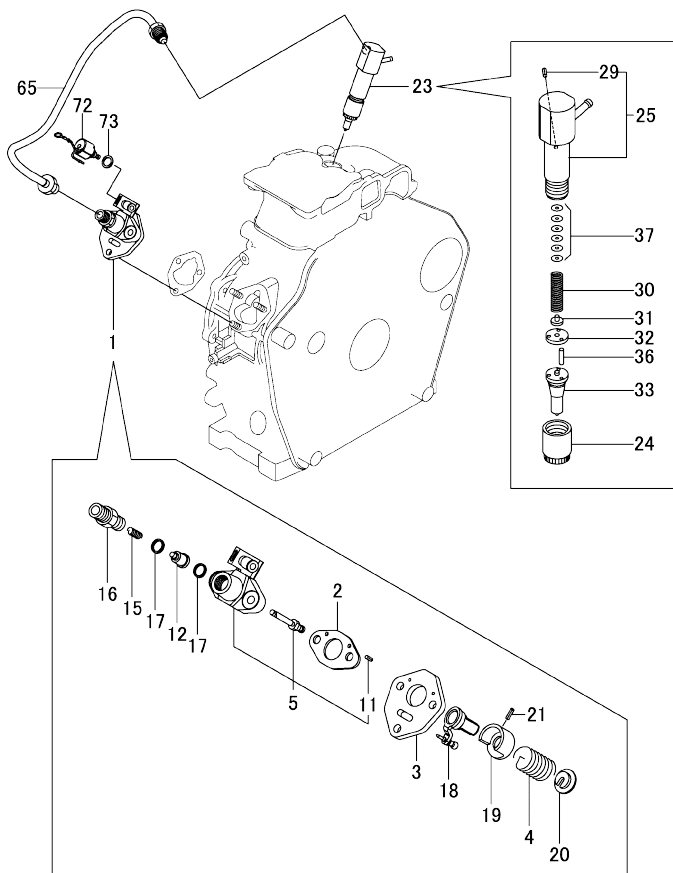


(A)=L48V6VFA1T8CAID
(B)=
(C)=

(D)=
(E)=
(F)=

No.	Lev.	Parts No.	Description	Qty						I	R	
				(A)	(B)	(C)	(D)	(E)	(F)			
1	1	114295-45150	CASE, COOLING FAN	1								
3	1	114299-45301	RUBBER, FAN CASE	4								
4	1	114299-45310	COLLAR, FAN CASE	4								
5	1	114120-45330	SEAL, FAN CASE	1								
6	1	114299-45350	BOLT, FAN CASE	4								

Fig.17. FUEL INJECTION PUMP & FUEL INJECTION VALVE



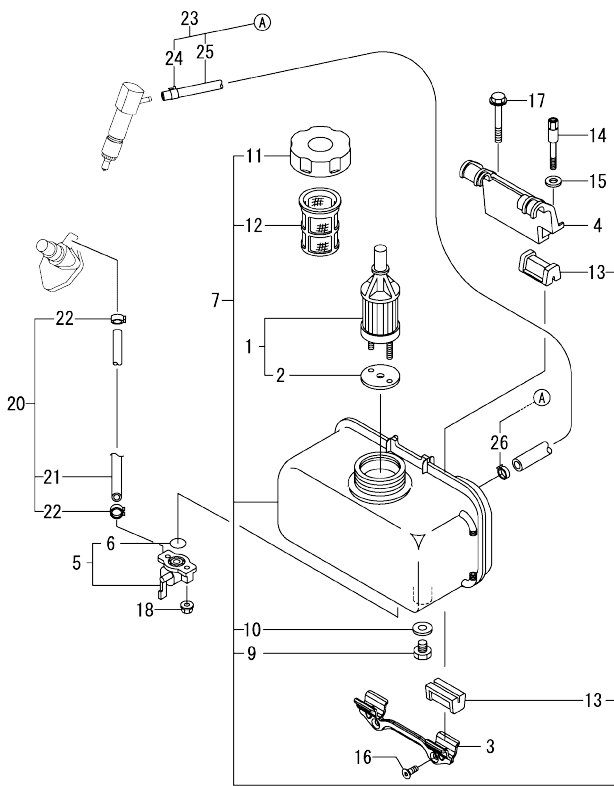
(A)=L48V6VFA1T8CAID
(B)=
(C)=

(D)=
(E)=
(F)=

No.	Lev.	Parts No.	Description	Qty						I	R
				(A)	(B)	(C)	(D)	(E)	(F)		
1	1	714139-51300	PUMP ASSY, INJECTION	1							
2	2	105546-51020	GASKET, PUMP BODY	1							
3	2	114250-51080	PLATE	1							
4	2	114250-51160	SPRING, PLUNGER	1							
5	2	114139-51200	BODY ASSY, PUMP	1							
11	4	22351-020006	PIN, SPRING 2.0X 6	2							
12	2	114250-51300	VALVE ASSY, DELIVERY	1							
15	2	105546-51330	SPRING, DELIVERY	1							
16	2	114250-51340	HOLDER, DELIVERY	1							
17	2	124550-51350	GASKET, DELIVERY	2							
18	2	114250-51500	LEVER, CONTROL	1							
19	2	114250-51640	SEAT, SPRING A	1							
20	2	114250-51650	SEAT, SPRING B	1							
21	2	22351-030008	PIN, SPRING 3.0X 8	1							
23	1	7141A0-53100	VALVE ASSY, INJECTION	1							
24	2	114250-53080	NUT, NOZZLE	1							
25	2	114139-53100	HOLDER ASSY, NOZZLE	1							
29	3	22351-025005	PIN, SPRING 2.5X 6	1							
30	2	114250-53120	SPRING, NOZZLE	1							
31	2	114250-53130	SEAT, SPRING	1							
32	2	114250-53140	SPACER, VALVE STOP	1							
33	2	1141A0-53000	VALVE ASSY, INJECTION	1							
36	2	114250-53210	PIN, POSITIONING	2							
37	2	119803-53400	SHIM SET	1							
65	1	114120-59800	PIPE ASSY, INJECTION	1							
72	1	114110-76910	VALVE ASSY, FUEL CUT	1							
73	1	114299-83020	GASKET, 10X1.2	1							

N:Old $\frac{100}{100}$ New, Q:Old $\frac{100}{100}$ New, R:Old $\frac{100}{100}$ New, S:Old $\frac{100}{100}$ New, W:Add, Z:Discontinued, F:Interchangeable by set, K:Qty Change
Copyright (C) 2021 YANMAR GLOBAL CS CO., LTD. All Rights Reserved.

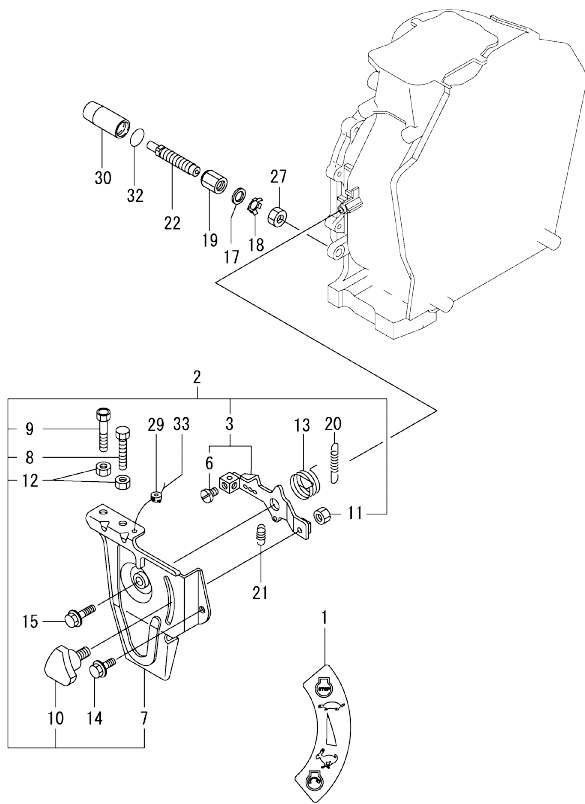
Fig.18. FUEL TANK & FUEL PIPE



No.	Lev.	Parts No.	Description	Q'ty						I	R
				(A)	(B)	(C)	(D)	(E)	(F)		
1	1	114250-55122	FILTER ASSY,FUEL OIL	1							
2	2	114250-55130	GASKET	1							
3	1	114299-55220	STAY, FUEL TANK A	1							
4	1	114299-55230	STAY, FUEL TANK B	1							
5	1	114240-55300	COCK ASSY, FUEL	1							
6	2	24311-000125	O-RING, 1AP12.5	1							
7	1	11412C-55710	TANK ASSY, FUEL	1							
9	2	114299-55080	PLUG, DRAIN	1							
10	2	23414-080000	GASKET, 8X1.0	1							
11	2	114299-55040	CAP ASSY, FUEL TANK	1							
12	2	114299-55110	STRAINER, FUEL TANK	1							
13	2	114740-55200	DAMPER, FUEL TANK	4							
14	1	114210-55810	BOLT, LIFTING	1							
15	1	22117-080000	WASHER, 8	1							
16	1	114210-55300	BOLT	2							
17	1	26106-080452	BOLT, M8X 45 PLATED	1							
18	1	26366-060002	NUT, M6	2							
20	1	114780-59010	PIPE ASSY, FUEL L50	1							
21	2	114780-59060	PIPE, FUEL L=50	1							
22	2	23080-014000	CLAMP, 14	2							
23	1	114120-59301	PIPE ASSY, FO RETURN	1							
24	2	124722-59050	CLAMP, HOSE 9	1							
25	2	114650-59061	PIPE, FO RETURN	1							
26	2	124066-59100	CLAMP, HOSE 8	1							

N:Old $\frac{New}{Old}$ New, Q:Old $\frac{New}{Old}$ New, R:Old $\frac{New}{Old}$ New, S:Old $\frac{New}{Old}$ New, W:Add, Z:Discontinued, F:Interchangeable by set, K:Qty Change
 Copyright (C) 2021 YANMAR GLOBAL CS CO., LTD. All Rights Reserved.

Fig.19. CONTROL DEVICE



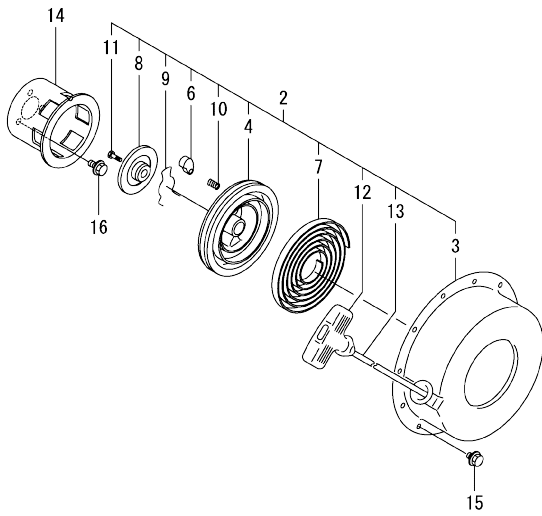
(A)=L48V6VFA1T8CAID
(B)=
(C)=

(D)=
(E)=
(F)=

No.	Lev.	Parts No.	Description	Q'ty						I	R
				(A)	(B)	(C)	(D)	(E)	(F)		
1	1	114220-07160	LABEL, THAI	1							
2	1	714210-66100	CONTROL ASSY, SPEED	1							
3	2	114210-66060	HANDLE ASSY	1							
6	3	26117-050089	BOLT, M5X 8 PLATED	1							
7	2	114210-66100	BRACKET, REGULATOR	1							
8	2	114299-66440	BOLT, ADJUSTER	1							
9	2	114299-67080	BOLT, ADJUST	1							
10	2	160725-78350	BOLT, KNOB M6X15	1							
11	2	26347-060002	NUT, M6	1							
12	2	26857-060002	NUT, M6	2							
13	1	114299-66250	SPRING, RETURN	1							
14	1	26106-060142	BOLT, M6X 14 PLATED	1							
15	1	26106-060202	BOLT, M6X 20 PLATED	1							
17	1	114295-61810	WASHER, PLAIN 14	1							
18	1	114771-61830	PLATE	1							
19	1	114295-61940	NUT, PROTECTOR M14	1							
20	1	114310-66010	SPRING, REGULATOR	1							
21	1	114299-66201	SPRING, RETURN	1							
22	1	114212-66600	LIMITER ASSY, FO	1							
27	1	114295-66690	NUT, LOCK M14	1							
29	1	114780-61090	TIN	1							
30	1	114310-61920	PROTECTOR, SERVICE	1							1
32	1	24311-000180	O-RING, 1AP18.0	1							
33	1	22451-060000	WIRE, 0.6	1							

Remarks
(1)Spare parts.

Fig.20. RECOIL STARTER



(A)=L48V6VFA1T8CAID
(B)=
(C)=

(D)=
(E)=
(F)=

No.	Lev.	Parts No.	Description	Q'ty						I	R
				(A)	(B)	(C)	(D)	(E)	(F)		
2	2	114299-76250	STARTER ASSY, RECOIL	1							
3	3	114299-76500	CASE, STARTER	1							
4	3	114299-76521	REEL, RECOIL STARTER	1							
6	3	114399-76531	RATCHET	1							
7	3	114399-76540	SPRING, SPIRAL	1							
8	3	114399-76550	COVER, RATCHET	1							
9	3	114399-76560	SPRING	1							
10	3	114399-76570	SPRING, RETURN	1							
11	3	114399-76580	SCREW	1							
12	3	114399-76620	KNOB, STARTER	1							
13	3	114299-76630	ROPE, STARTER	1							
14	2	114299-76590	PULLEY, STARTER	1							
15	1	26106-060082	BOLT, M6X 8 PLATED	4							
16	1	26106-060122	BOLT, M6X 12 PLATED	3							

Fig.21. STARTER MOTOR

(A)=L48V6VFA1T8CAID
(B)=
(C)=

(D)=
(E)=
(F)=

No.	Lev.	Parts No.	Description	Q'ty					
				(A)	(B)	(C)	(D)	(E)	(F)
1	1	114362-77011	STARTER ASSY, D	1					
2	2	114381-77110	ARMATURE	1					
3	2	X2114811000	WASHER KIT, THRUST	1					
4	2	X2114715500	STOPPER SET, PINION	1					
5	2	114381-77130	COIL ASSY, FIELD	1					
6	2	114381-77140	COVER	1					
7	2	114371-77160	HOLDER ASSY, BRUSH	1					
8	3	114371-79040	BRUSH, -	2					
9	3	114371-79050	BRUSH SET, +	1					
10	3	114371-79060	SPRING, BRUSH	4					
11	2	X211485016	PINION ASSY	1					
12	2	114381-77151	CASE ASSY, GEAR	1					
13	2	114371-77170	COVER KIT, DUST	1					
14	2	114371-77180	LEVER KIT, SHIFT	1					
15	2	124298-77020	SWITCH, MAGNET	1					
16	2	124195-77770	BOLT, THROUGH	2					
17	2	114371-79070	BOLT, M6	2					
18	2	X2114274200	COVER, TERMINAL	1					
19	1	26106-100302	BOLT, M10X 30 PLATED	2					
20	1	26716-080002	NUT, M8	1					

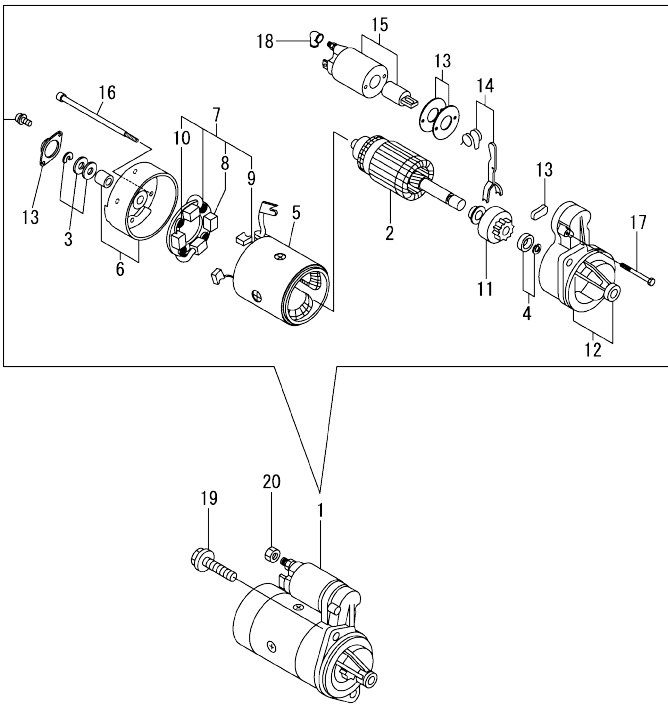
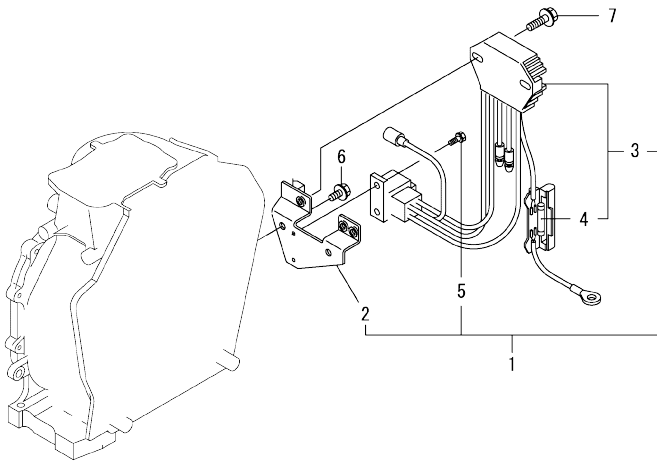


Fig.22. ELECTRIC PARTS

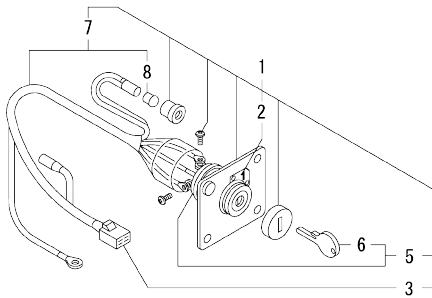


(A)=L48V6VFA1T8CAID
(B)=
(C)=

(D)=
(E)=
(F)=

No.	Lev.	Parts No.	Description	Q'ty						I	R
				(A)	(B)	(C)	(D)	(E)	(F)		
1	1	114399-77560	REGULATOR ASSY	1							
2	2	114399-77410	BRACKET, HARNESS	1							
3	2	114399-77720	REGULATOR	1							
4	3	114399-78000	FUSE, 20A	1							
5	2	26023-040102	SCREW, M4X10	2							
6	1	26106-060122	BOLT, M6X 12 PLATED	2							
7	1	26106-060202	BOLT, M6X 20 PLATED	2							

Fig.23. KEY SWITCH



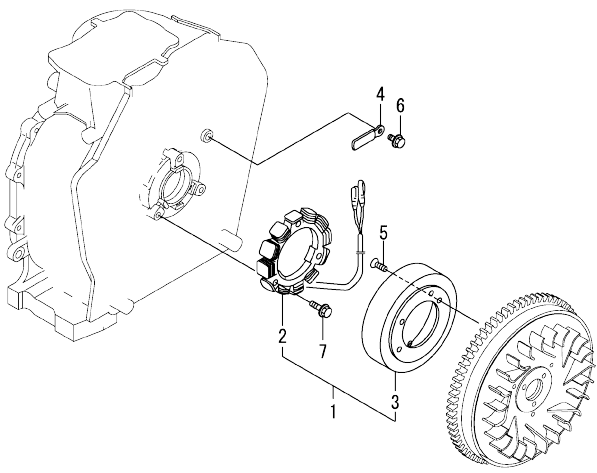
(A)=L48V6VFA1T8CAID
(B)=
(C)=

(D)=
(E)=
(F)=

No.	Lev.	Parts No.	Description	Q'ty					
				(A)	(B)	(C)	(D)	(E)	(F)
1	1	114220-77500	PANEL ASSY, SWITCH	1					
2	2	114220-07170	LABEL, START SWITCH	1					
3	2	114351-77520	COUPLER	1					
5	2	106100-77620	SWITCH, KEY	1					
6	3	106100-77630	KEY, SWITCH	1					
7	2	114351-77700	HARNES, WIRE	1					
8	3	29220-083200	BULB (12V/3.4W)	1					

OCC50-M03690 ENGINE
 Fig.24. DYNAMO

OCC50-M03690 Fig.24



(A)=L48V6VFA1T8CAID
 (B)=
 (C)=

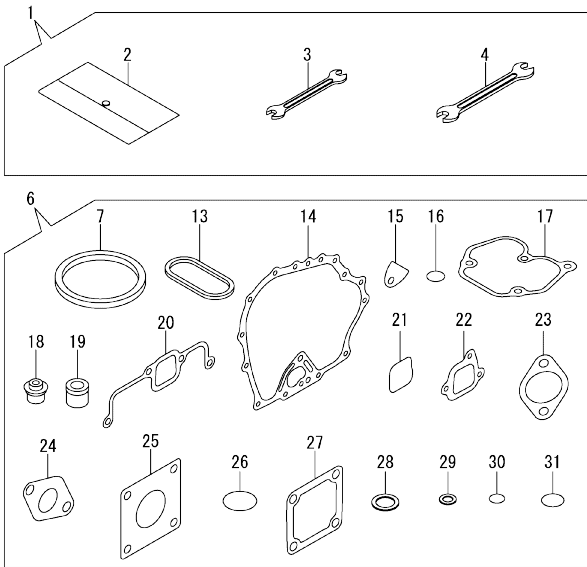
(D)=
 (E)=
 (F)=

No.	Lev.	Parts No.	Description	Q'ty						I	R
				(A)	(B)	(C)	(D)	(E)	(F)		
1	1	114399-78280	DINAMO ASSY, 15A	1							
2	2	114399-78770	STATOR ASSY	1							
3	2	114399-78780	WHEEL, DYNAMO	1							
4	1	160710-78710	CLAMP, CORD	1							
5	1	114210-78800	SCREW, M6	3							
6	1	26106-060122	BOLT, M6X 12 PLATED	1							
7	1	26106-060202	BOLT, M6X 20 PLATED	3							

Fig.25. GASKET SET & TOOL

(A)=L48V6VFA1T8CAID
(B)=
(C)=

(D)=
(E)=
(F)=



No.	Lev.	Parts No.	Description	Q'ty						I	R
				(A)	(B)	(C)	(D)	(E)	(F)		
1	1	114299-92590	TOOL ASSY	1							
2	2	114299-92600	BAG, TOOL	1							
3	2	114299-92710	WRENCH	1							
4	2	114299-92720	WRENCH	1							
6	1	114120-92600	GASKET SET	1							1
7	2	114295-01330	GASKET, HEAD	1							
13	2	114299-01380	O-RING	1							
14	2	114299-01410	GASKET, CRANK CASE	1							
15	2	114250-01841	GASKET, COVER	1							
16	2	114299-01950	O-RING, 18	2							
17	2	114771-11310	GASKET, BONNET	1							
18	2	114250-11341	SEAL, VALVE STEM	2							
19	2	114771-11461	GASKET, NOZZLE	1							
20	2	114771-12200	GASKET, INTAKE PIPE	1							
21	2	114288-12210	O-RING, SUCTION PIPE	1							
22	2	114299-12210	GASKET, AIR CLEANER	2							
23	2	114299-12920	GASKET, AIR CLEANER	1							
24	2	114299-13200	GASKET, MUFFLER	1							
25	2	114299-21980	GASKET, OIL SEAL	1							
26	2	114299-32570	O-RING, PUMP COVER	1							
27	2	129100-77510	GASKET, AIR HEATER	3							
28	2	22190-160002	WASHER, SEAL 16	2							
29	2	23414-080000	GASKET, 8X1.0	1							
30	2	24341-000150	O-RING, 1AS15.0	1							
31	2	24341-000224	O-RING, 1AS22.4	1							

Remarks

(1)Optional parts.

Parts No. Index

Parts No.	Fig. No.	Ref. No.	Parts No.	Fig. No.	Ref. No.	Parts No.	Fig. No.	Ref. No.	Parts No.	Fig. No.	Ref. No.
105546-51020	17	2	114250-12550	6	3	114299-11600	4	25	11429C-11100	4	6
105546-51330	17	15	114250-12560	6	7	114299-11901	4	26	11429C-11110	4	7
106100-77620	23	5	114250-12570	6	4	114299-12210	6	1	11429C-11250	4	10
106100-77630	23	6	114250-12581	6	8		25	22	11429C-11260	4	11
114110-11910	4	27	114250-32010	13	1	114299-12300	6	2	11429C-11650	4	12
114110-23200	11	28	114250-51080	17	3	114299-12920	25	23	11429C-11660	4	16
114110-76910	17	72	114250-51160	17	4	114299-13200	7	1	11429C-14580	8	1
114111-01450	1	39	114250-51300	17	12		25	24	114310-61920	19	30
114120-11120	4	8	114250-51340	17	16	114299-14200	8	6	114310-66010	19	20
114120-14400	8	8	114250-51500	17	18	114299-21220	10	1	114320-13800	7	13
114120-21760	9	1	114250-51640	17	19	114299-21550	10	2	114351-77520	23	3
114120-45330	16	5	114250-51650	17	20	114299-21590	10	3	114351-77700	23	7
114120-59301	18	23	114250-53080	17	24	114299-21600	10	6	114362-77011	21	1
114120-59800	17	65	114250-53120	17	30	114299-21960	1	58	114371-77160	21	7
114120-92600	25	6	114250-53130	17	31	114299-21980	1	59	114371-77170	21	13
11412C-23700	11	24	114250-53140	17	32		25	25	114371-77180	21	14
11412C-55710	18	7	114250-53210	17	36	114299-22300	11	9	114371-79040	21	8
114139-51200	17	5	114250-55122	18	1	114299-32070	13	7	114371-79050	21	9
114139-53100	17	25	114250-55130	18	2	114299-32570	13	8	114371-79060	21	10
1141A0-01020	1	1	114252-13950	7	7		25	26	114371-79070	21	17
1141A0-13500	7	2	114288-12210	25	21	114299-35110	13	12	114381-77110	21	2
1141A0-13560	7	3	114295-01330	1	10	114299-35150	1	45	114381-77130	21	5
1141A0-53000	17	33		25	7	114299-45210	15	1	114381-77140	21	6
114210-55300	18	16	114295-11951	4	35	114299-45301	16	3	114381-77151	21	12
114210-55810	18	14	114295-45150	16	1	114299-45310	16	4	114399-76531	20	6
114210-66060	19	3	114295-61170	13	17	114299-45350	16	6	114399-76540	20	7
114210-66100	19	7	114295-61810	19	17	114299-55040	18	11	114399-76550	20	8
114210-78800	24	5	114295-61940	19	19	114299-55080	18	9	114399-76560	20	9
114212-66600	19	22	114295-66690	19	27	114299-55110	18	12	114399-76570	20	10
114220-07100	3	4	114299-01200	1	5	114299-55220	18	3	114399-76580	20	11
114220-07110	3	6	114299-01210	1	6	114299-55230	18	4	114399-76620	20	12
114220-07130	3	13	114299-01220	1	7	114299-61190	13	22	114399-77410	22	2
114220-07160	3	15	114299-01230	1	8	114299-61210	13	24	114399-77560	22	1
	19	1	114299-01380	1	16	114299-61600	13	31	114399-77720	22	3
114220-07170	23	2		25	13	114299-61700	13	23	114399-78000	22	4
114220-77500	23	1	114299-01410	1	38	114299-66201	19	21	114399-78280	24	1
114240-11450	4	23		25	14	114299-66250	19	13	114399-78770	24	2
114240-11550	4	24	114299-01600	1	17	114299-66440	19	8	114399-78780	24	3
114240-55300	18	5	114299-01690	2	1	114299-67080	19	9	1143A0-13700	7	5
114250-01841	1	32	114299-01760	2	2	114299-76250	20	2	1143A0-13710	7	6
	25	15	114299-01800	1	18	114299-76500	20	3	114650-59061	18	25
114250-02113	1	52	114299-01830	1	31	114299-76521	20	4	114740-02110	1	42
114250-03591	4	37	114299-01950	2	4	114299-76590	20	14	114740-02200	1	48
114250-11180	4	9		25	16	114299-76630	20	13	114740-02210	1	49
114250-11240	4	14	114299-02030	1	51	114299-83020	17	73	114740-23600	11	29
	4	18	114299-02220	1	53	114299-92590	25	1	114740-23610	11	31
114250-11341	4	21	114299-03640	4	40	114299-92600	25	2	114740-23620	11	33
	25	18	114299-07101	3	5	114299-92710	25	3	114740-23910	11	35
114250-12520	6	5	114299-07111	3	7	114299-92720	25	4	114740-55200	18	13
114250-12530	6	6	114299-07160	3	8	11429C-11030	4	1	114770-61520	13	30

Parts No. Index

Parts No.	Fig. No.	Ref. No.
114770-61610	13	32
114771-11310	4	34
	25	17
114771-11461	25	19
114771-12010	5	1
114771-12200	5	2
	25	20
114771-14260	8	7
114771-61830	19	18
114780-59010	18	20
114780-59060	18	21
114780-61090	19	29
119260-11370	4	22
119803-53400	17	37
124066-59100	18	26
124195-77770	21	16
124298-77020	21	15
124550-51350	17	17
124722-59050	18	24
124950-01250	1	9
129100-61850	15	4
129100-77510	25	27
160210-02220	1	54
160710-78710	24	4
160725-78350	19	10
183250-39450	14	1
22117-080000	18	15
22190-160002	2	5
	25	28
22242-000120	4	20
22252-000190	11	10
22312-030160	4	43
	13	9
22312-040080	1	33
22322-030200	13	33
22351-020006	17	11
22351-025005	17	29
22351-030008	17	21
22351-040008	4	28
22451-060000	19	33
22512-040120	10	7
23080-014000	18	22
23414-080000	18	10
	25	29
24101-062020	12	6
24162-152112	1	55
24311-000125	18	6
24311-000180	19	32
24341-000150	25	30
24341-000224	13	14

Parts No.	Fig. No.	Ref. No.
24341-000224	25	31
26023-040102	22	5
26106-060082	20	15
26106-060122	13	10
	15	2
	20	16
	22	6
	24	6
26106-060142	19	14
26106-060162	13	15
26106-060202	19	15
	22	7
	24	7
26106-060252	1	46
	5	4
26106-060452	4	29
26106-060552	4	46
26106-080122	1	56
26106-080202	7	8
26106-080352	1	47
26106-080452	18	17
26106-100302	21	19
26117-050089	19	6
26216-080182	7	10
26226-060142	5	5
26226-060182	1	34
26226-060222	1	35
26226-060602	5	6
26306-080002	7	11
26347-060002	19	11
26366-060002	1	36
	4	30
	18	18
26453-080252	1	60
26716-080002	21	20
26856-060002	4	15
		19
26857-060002	19	12
27310-055001	4	31
29220-083200	23	8
714120-22590	11	17
714120-22630	11	11
714120-22720	11	1
714139-51300	17	1
7141A0-53100	17	23
714210-66100	19	2
714295-22500	11	3
714295-22560	11	13
714295-22570	11	19
714770-28531	12	1

Parts No.	Fig. No.	Ref. No.
X2114274200	21	18
X2114715500	21	4
X2114811000	21	3
X211485016	21	11

Parts No.	Fig. No.	Ref. No.
-----------	----------	----------