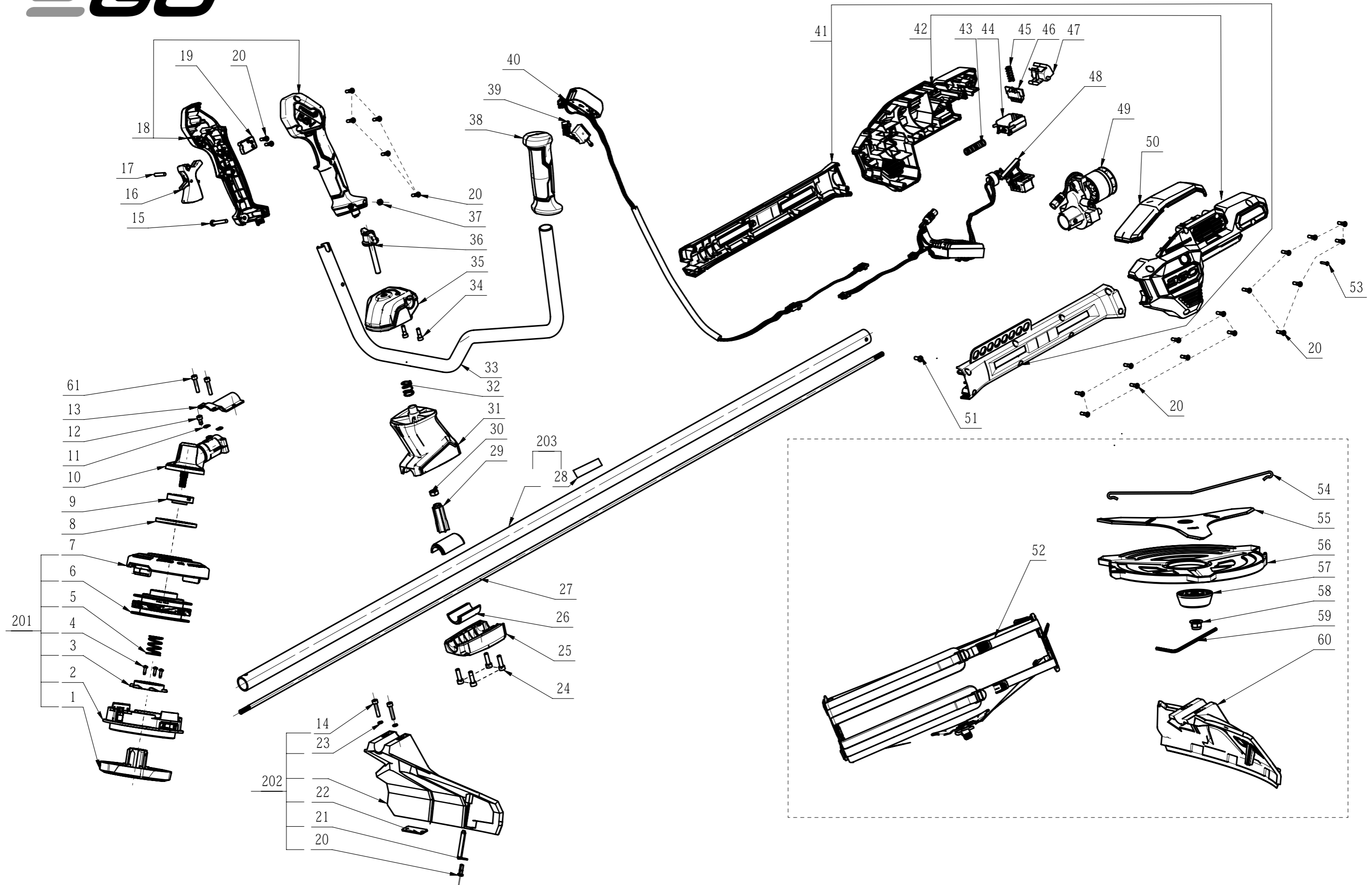




Product Description: Brush Cutter
Model Number: BCX4500
Service Item Number: F810055002S01
Version: C
Issue Date: 2023/06/19





BILL OF MATERIALS

BCX4500 Brush Cutter

Index Nr.	Art. Nr.	Beschreibung EN	Beschreibung DE	TIs	Supersession	QTY in machine	Torque (Nm)	MPQ	Repair Time (min)
1	3131529001	Base Pad	Auftippknopf			1		1	1
2	3131037001	Lower Housing	Trimmerkopfdeckel unten			1		1	1
3	3131050001	Connect Bush	Mitnehmerring			1		1	1
4	5610022004	Tapping Screw	Blechschrabe			3		10	0.5
5	3660833001	Compression Spring	Druckfeder			1		1	1
6	2827187002	Mounting Wire Holder	Fadenspule			1		1	1
7	3131052001	Top Cover	Trimmerkopfdeckel oben			1		1	1
8	3706103001	Shield	Mähschutz			1		1	1
9	3552509001	Inner Flange	Reibscheibe			1		1	1
10	2825611001	Gear Case ASSY	Winkelgetriebe komplett			1		1	12
11	5650598001	Washer	Scheibe			2		10	1
12	5620213003	Hexagon Socket Screw	Inbusschraube			1		10	0.5
13	3705417001	Fixing Board	Befestigung Mähschutz			1		1	1
14	5620216006	Hexagon Socket Screw	Inbusschraube			2		10	1
15	5620662001	Hexagon Socket Screw	Schraube Mit Unterlegschei			1		10	0.5
16	2825785001	Switch Lever ASSY	Startschalter komplett			1		1	5
17	5670186001	Pin				1			5
18	3900718003	L R Handle Set				1			20
19	3521123001	Plunge Frame	Schalterführung			1		1	10
20	5620479001	Screw	Schraube			24		10	0.5
21	3706856001	Blade				1			1
22	3705710001	Safety Catch				1			3
23	5650015012	Spring Washer	Federring			2		10	1
24	5620334004	Hexagon Socket Screw	Inbusschraube			4		10	10
25	3422159001	Mounting Cover	Halbschale			1		1	20
26	3128392001	Rubber Gasket	Gummidichtung			2		1	20
27	3555995001	Drive Shaft				1			25
28	2245897002	Nameplate				1			1
29	3129464001	Knighthead	Distanzstück			1		1	20
30	5630016006	Hexagon Nut	Sechskantmutter Ve 1			1		10	25
31	3422163001	Bottom Support	Lagerbock			1		1	25
32	3660712001	Compression Spring	Druckfeder			1		10	5
33	3706536001	Connecting Tube				1			15
34	5620019004	Hexagon Socket Screw	Imbusschraube			2		10	2
35	3900008001	Handle Cover ASSY	Lenkerhalter Ober-/Unterte			1		1	15
36	5640272001	Wing Bolt	Vierkantschraube			1		10	1
37	5630007006	Prevailing Torque Hexagon Nut	6-kantmutter Selbstsich.			1		10	3
38	3134215001	Auxiliary Handle				1			5
39	4870985001	Switch Assembly				1			10
40	2831518002	LED Electric Assembly				1			25
41	3900614001	Handle Cover Assembly				1			15
42	3900691003	L R Housing Set				1			20
43	3660818001	Compression Spring	Druckfeder			1		10	7
44	3131427001	Sliding Block	Sliding Block			1		1	10
45	3660013003	Spring1	Feder			1		10	7
46	3127497001	Power Pack Button	Akku-Entriegelungshebel			1		1	10
47	3127498001	Power Pack Button	Akku-Entriegelungshebel			1		1	7
48	2831531002	Electric Assembly				1			25
49	2790711001	Motor And Gear Case Assembly				1			20
50	3133887001	Cover Plate				1			5
51	5620050007	Screw	Schraube M5x12			1		10	10
52	2824576001	Backpack Subassembly				1		1	0.5
52	AP1500D					1			0.5
53	5610241002	Screw				1			0.5
54	3650188001	Clamp Wire				1			0.5
55	ABB1203	3-point metal blade				1		1	5
56	3128700001	Blade Cover				1			0.5
57	3421864001	Outer Flange	Außenflansch			1		1	3
58	5630292001	Nut	Gewindemutter M10x1 Fh			1		10	3
59	5680164001	Inner Hexagon Spanner	Inbusschlüssel			1		1	0.5
60	3402935001	Guard				1			5
61	5620216005	Hexagon Socket Screw	Inbusschraube			2		10	1
201	AH3810	ANY INSERT line trimmer head (anti-clockwi				1		1	5
202	2829194001	Protective Cover Assembly				1			5
203	2829199003	Connecting Tube Assembly				1			15