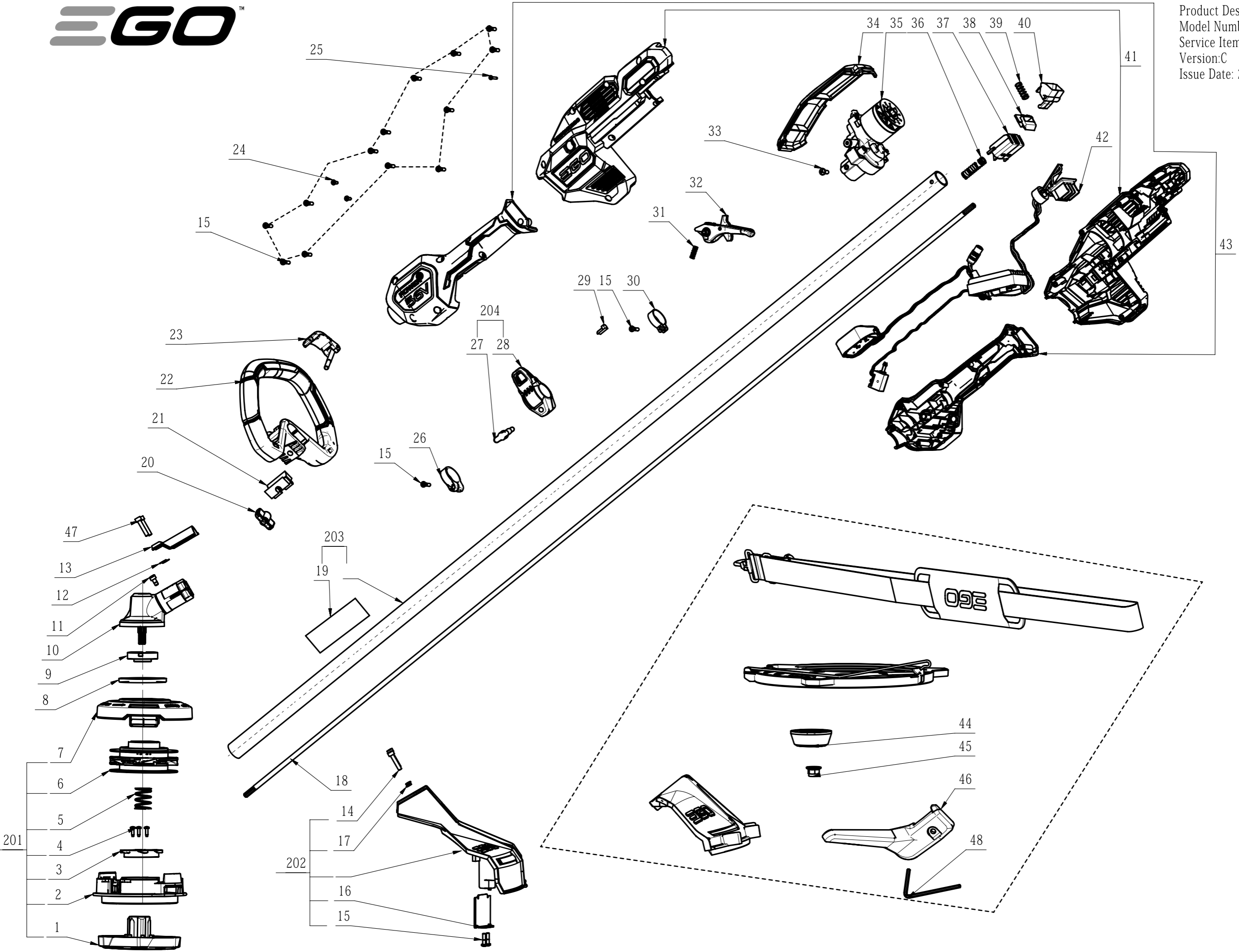




Product Description: String Trimmer
Model Number: STX4500
Service Item Number: F810054002S01
Version: C
Issue Date: 2023/06/25





BILL OF MATERIALS

STX4500 Brush Cutter

Index Nr.	Art. Nr.	Beschreibung EN	Beschreibung DE	Tls	Supersession	QTY in machine	Torque (Nm)	MPQ	Repair Time (min)
1	3131529001	Base Pad	Auftippknopf			1		1	1
2	3131037001	Lower Housing	Trimmerkopfdeckel unten			1		1	1
3	3131050001	Connect Bush	Mitnehmerring			1		1	1
4	5610022004	Tapping Screw	Blechschraube			3		10	0.5
5	3660833001	Compression Spring	Druckfeder			1		1	1
6	2827187002	Mounting Wire Holder	Fadenspule			1		1	1
7	3131052001	Top Cover	Trimmerkopfdeckel oben			1		1	1
8	3706103001	Shield	Mäherschutz			1		1	1
9	3552509001	Inner Flange	Reibscheibe			1		1	1
10	2825611001	Gear Case ASSY	Winkelgetriebe komplett			1		1	12
11	5620213003	Hexagon Socket Screw	Inbusschraube			1		10	0.5
12	5650598001	Washer	Scheibe			2		10	1
13	3705417001	Fixing Board	Befestigung Mäherschutz			1		1	1
14	5620216006	Hexagon Socket Screw	Inbusschraube			2		10	1
15	5620479001	Screw	Schraube			17		10	0.5
16	3706856001	Blade				1			1
17	5650015012	Spring Washer	Federring			2		10	1
18	3555995001	Drive Shaft				1			25
19	2245897002	Nameplate				1			0.5
20	5630526001	Wing Nut				1			1
21	3127651001	Clamping Block	Befestigungsblock			1		1	1
22	3323530001	Auxiliary Handle				1			1
23	2829456001	Handle Lever Set				1			0.5
24	5610295001	Hexagon Socket Screw				2		1	0.5
25	5610241002	Screw				1			0.5
26	3128598001	Retaining Ring	Sicherungsring			1		1	1
27	5640239002	Wing Bolt				1			1
28	2829714001	Pothook Assembly				1			1
29	3133938001	Rubber Block				1			10
30	3705178001	Fixed Ring	Befestigungsring			1		10	15
31	3660088003	Knob-reset Spring	Rückstellfeder			1		10	7
32	2829162001	Trigger Assembly				1			10
33	5620050007	Screw	Schraube M5x12			1		10	10
34	3133887001	Cover Plate				1			5
35	2790711001	Motor And Gear Case Assembly				1			20
36	3660818001	Compression Spring	Druckfeder			1		10	7
37	3131427001	Sliding Block	Sliding Block			1		1	10
38	3127497001	Power Pack Button	Akku-Entriegelungshebel			1		1	10
39	3660013003	Spring1	Feder			1		10	7
40	3127498001	Power Pack Button	Akku-Entriegelungshebel			1		1	7
41	3900691002	L R Housing Set				1			20
42	2831458001	Electric Assembly				1			25
43	3900651010	L R Handle Set				1			20
44	3421864001	Outer Flange	Außenflansch			1		1	3
45	5630292001	Nut	Gewindemutter M10x1 Fh			1		10	3
46	3133829001	Front Handle Cover				1			1
47	5620216005	Hexagon Socket Screw	Inbusschraube			2		10	1
48	5680164001	Inner Hexagon Spanner	Inbusschlüssel			1		1	0.5
201	AH3810	ANY INSERT line trimmer head (anti-clockwi				1		1	5
202	2829194001	Protective Cover Assembly				1			5
203	2829199003	Connecting Tube Assembly				1			15
204	2829417001	Pothook Assembly				1			3