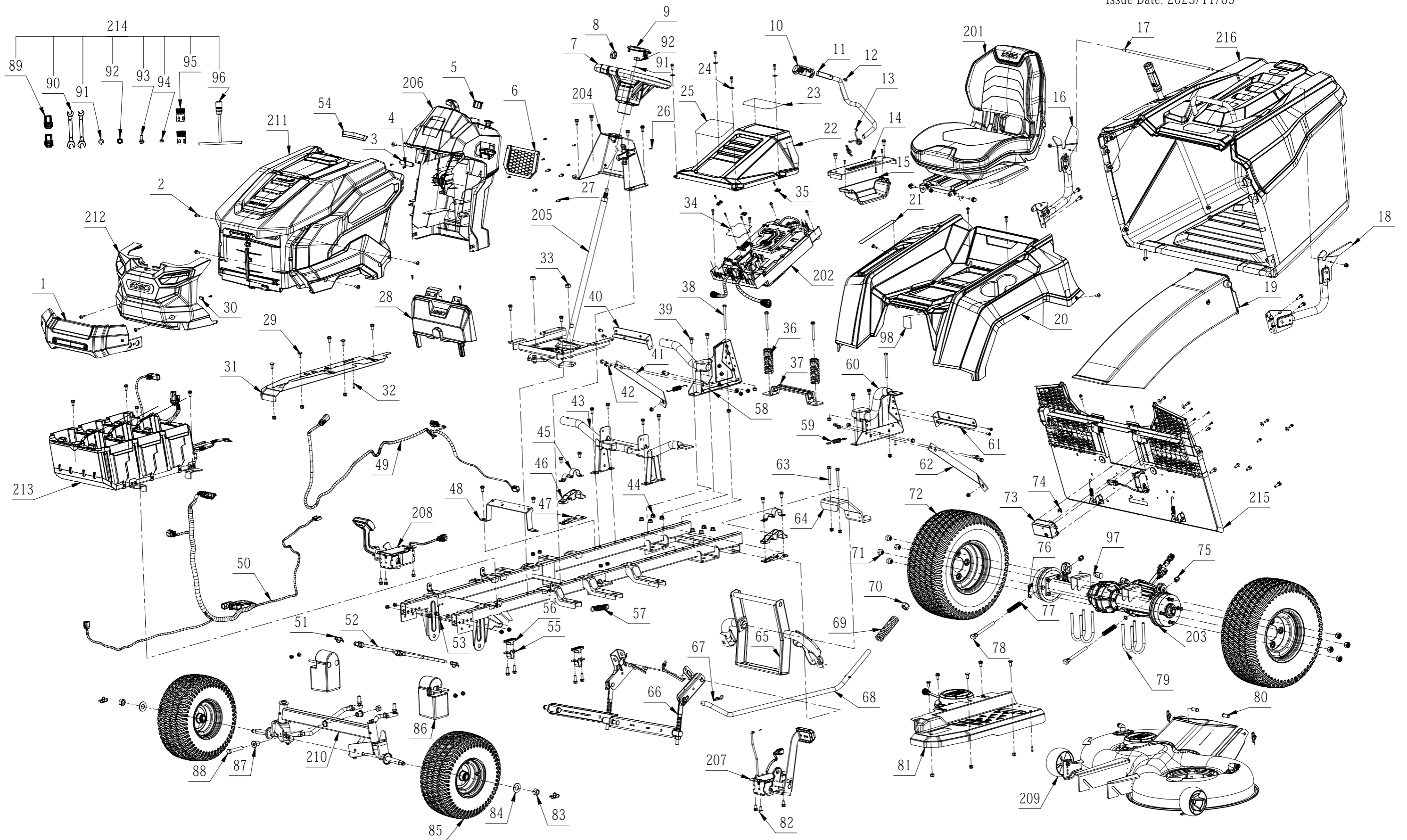




Product Description: Tractor
Model Number: TR3800E-B
Service Item Number: F610009001S01
Version: A
Issue Date: 2023/11/09





BILL OF MATERIALS
TR3800E-B Riding Mower

Index No.	Art. Nr.	Beschreibung EN	Beschreibung DE	Tls	Supersession	QTY in machine	Torque (Nm)	MPQ	Repair Time (min)
1	2850198001	Front Frame Assembly				1			6
2	5611130001	Hexalobular Socket Tapping Screw				15			0
3	3134123001	Locking Plate				1			10
4	5620377003	Hexagon Socket Screw	Sechskantschraube			16		10	0
5	3134435001	Bushing				1			6
6	2850266001	Protecting Net Assembly				1			3
7	3403459001	Steering Wheel Assembly				1			5
8	3134267001	Decorative Ring				1			1
9	3323511001	Decorative Cover				1			1
10	3134257001	Adjusting Handle				1			2
11	3708920001	Handle Lever				1			5
12	5610388001	Hexalobular Socket Thread Forming Screw	Schraube			1		10	0
13	3667857001	Torsion Spring				1			6
14	3708913001	Depth Stop Plate				1			8
15	3134839001	Splash Guard				1			9
16	2850397001	Right Bracket Assembly				1			20
17	5640552001	Double Threaded Connecting Rod				1			5
18	2850396001	Left Bracket Assembly				1			20
19	3135015001	Blower Tube				1			1
20	3134999002	Middle Cover				1			7
21	2246023002	Nameplate				1			1
22	3135002002	Top Cover				1			3
23	2246157001	Nameplate				1			1
24	5650017011	Plain Washer				4			0
25	2246158001	Nameplate				1			1
26	5670184002	Pin	Stift			2		1	1
27	5611051001	Hexagon Flange Head Thread Forming Screw				14			0
28	3134552001	Decorative Cover				1			10
29	5640358001	Small Round Head Low Square Neck Bolt	Schlossschraube			6		10	0
30	3700367001	Cord Anchorage	Kabelbefestigung			1		1	0
31	3708858001	Pedal				1			3
32	5620157006	Hexagon Socket Screw	Inbusschraube			4		10	0
33	5630519001	Lock Nut				2			0
34	3708563001	Close Cover				1			10
35	3135103001	Fixed Unit				2			6
36	3660809001	Compression Spring				2			5
37	3709331001	Intermediate Support				1			25
38	5640302001	Hexagon Head Bolt				2			0
39	5640360001	Hexagon Flange Head Thread Forming Screw	Schraube			35		10	0
40	3709339001	Angle Support				1			20
41	3709329001	Support				1			20
42	5640354001	Flange Bolt-Large Series	Flanschbolzen			4		10	0
43	2829349001	Base Assembly				1			20
44	5630267001	Nut	Mutter			8		10	0
45	3708866001	Pressure Plate				2			30
46	3134126001	Fixed Unit				2			30
47	3134127001	Bottom Board				2			30
48	3708597001	PCB Holder				1			25
49	4861301001	Wiring Harness				1			35
50	4861221001	Bus Wire Harness Assembly				1			35
51	5670561002	Split Pin				7			1
52	2851204001	Hanger Rod Assembly				1			6
53	5640353001	Flange Bolt-Large Series	Sechskantschraube			4		10	0
54	3135765001	Screw Cover				1			1
55	3707307001	Pressure Plate	Halter			2		1	20
56	3521236001	Support Base	Stützplatte			2		10	20
57	3667946001	Tension Spring				1			5
58	2850390001	Base Assembly				1			20
59	3667982001	Tension Spring				1			5
60	2850391001	Base Assembly				1			20
61	3709340001	Angle Support				1			20
62	3709338001	Support				1			20
63	5640363002	Flange Bolt-Large Series				4			0
64	3709363001	Hitch				1			2
65	2850392001	Rocker Assembly				1			60
66	2850678001	Lift Shaft Assembly				1			20
67	5670753001	Spring Pin				1			1
68	2829443001	Connecting Rod Assembly				1			30
69	3667865001	Compression Spring				1			30
70	5630511001	Nut				1			0
71	5630516001	Conical Nut				8			0



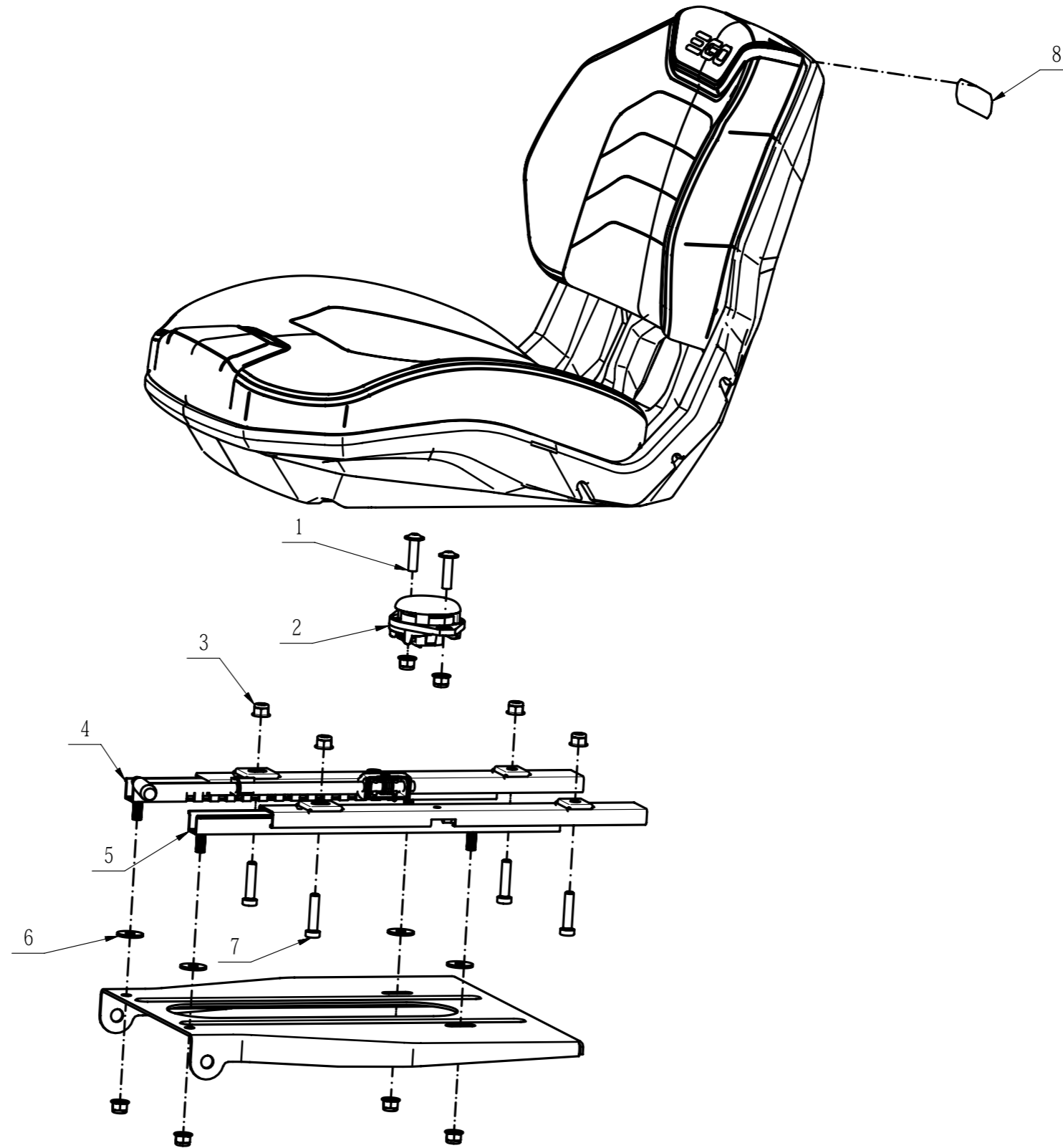
BILL OF MATERIALS
TR3800E-B Riding Mower

Index No.	Art. Nr.	Beschreibung EN	Beschreibung DE	Tls	Supersession	QTY in machine	Torque (Nm)	MPQ	Repair Time (min)
72	2850138001	Rear Wheel Set				2			5
73	3135724001	Lid Case				1			5
74	3135599001	Wire Holder				2			6
75	5630505001	Hex Nut				2			0
76	5650178001	Washer				2			8
77	3667850001	Compression Spring				2			8
78	5640507001	Bolts for T-Slot				2			5
79	5640559001	U Bolt				4			5
80	5670553001	Pin Shaft	Bolzen			2		10	3
81	3708859001	Pedal				1			3
82	5640222001	Hexagon Flange Bolt	Sechskantschraube			2		10	0
83	5630518001	Lock Nut				2			0
84	5650908001	Plain Washer				2			0
85	2829678001	Front Wheel Set				2			5
86	2850639001	Balancing Weight				2			8
87	3580470001	Bushing				3			6
88	5640521001	Hexagon Head Bolt				1			0
89	2827673001	Key Assembly	Sicherheitsschlüssel			2		10	0
90	5680369001	Open-end Wrench				2			0
91	5650703001	Plain Washer				1			0
92	5630070003	Nut	Nut			3		10	0
93	5640510001	Hexagon Flange Head Screw with Shoulder				3			0
94	5630371001	Prevailing Torque Type Hexagon Lock Nut wi Mutter				20		10	0
95	2823689001	Quick Connect Coupling	Wasseranschluss			1		1	0
96	5680368001	Socket Wrench				1			0
97	3555993001	Spindle				2			5
201	2850393002	Seat Assembly				1			15
202	2832134001	Control Electric Assembly				1			30
207	2829440001	Brake Assembly				1			40
208	2829441001	Accelerator				1			30
214	2851141001	Wrench Tool Set				1			0
213	2850682001	Battery Box Assembly				1			30
216	2850576002	Grass Catcher Assembly				1			1



Product Description: Tractor
Model Number: TR3800E-B
Service Item Number: 2850393002S01
Version: A
Issue Date: 2023/11/29

201 Seat Assembly





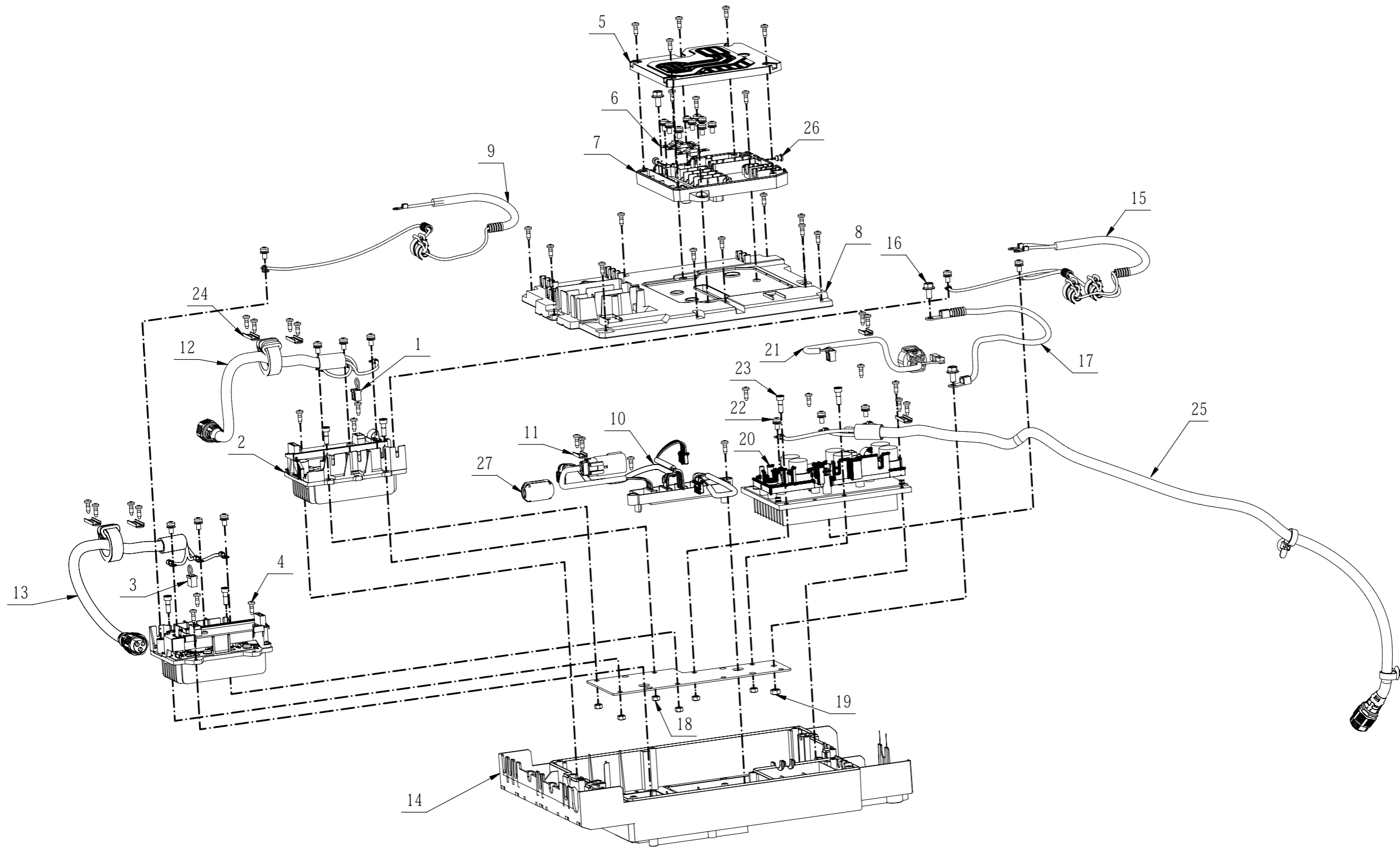
BILL OF MATERIALS
TR3800E-B Riding Mower

Index No.	Art. Nr.	Beschreibung EN	Beschreibung DE	Tls	Supersession	QTY in machine	Torque (Nm)	MPQ	Repair Time (min)
201-1	5611121001	Hexagon Socket Button Head Screw				2			10
201-2	4870579001	Switch Assembly	Sitzschalter			1		1	10
201-3	5630371001	Prevailing Torque Type Hexagon Lock Nut wi Mutter				10		10	10
201-4	2851092001	Right Guide Rail				1			15
201-5	2829522001	Left Guide Rail				1			15
201-6	5650024005	Plain Washer				12		10	10
201-7	5611175001	Hexagon Socket Head Cap Screw				4			10
201-8	2246018001	Nameplate				1			10



Product Description: Tractor
Model Number: TR3800E-B
Service Item Number: 2832134001S01
Version: B
Issue Date: 2024/01/31

202 Control Electric Assembly





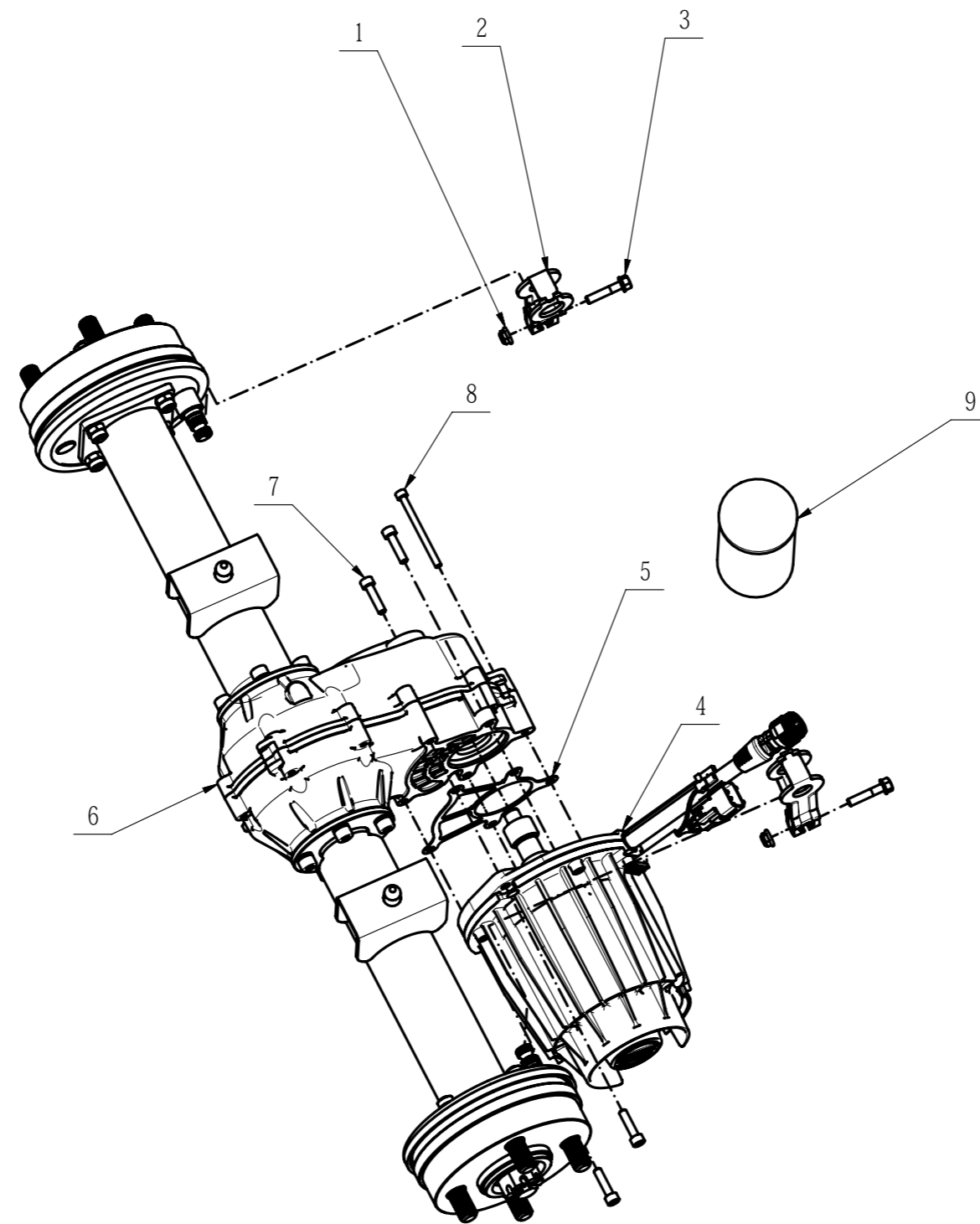
BILL OF MATERIALS
TR3800E-B Riding Mower

Index No.	Art. Nr.	Beschreibung EN	Beschreibung DE	Tls	Supersession	QTY in machine	Torque (Nm)	MPQ	Repair Time (min)
202-1	4861205001	Motor Wiring Harness				1			10
202-2	2831918001	Motor Driver Electric Assembly				2			30
202-3	4861204001	Motor Wiring Harness				1			10
202-4	5620377003	Hexagon Socket Screw	Sechskantschraube			45		10	10
202-5	3131053001	Fuse PCB Box	Sicherungs Box			1		1	5
202-6	4970355001	Fuse	Sicherung (80A)			3		10	10
202-7	2850307001	Base Assembly				1			8
202-8	3135272001	Top Cover				1			10
202-9	4861329001	Host Power Wire Harness				1			10
202-10	2831467001	Connecting Electric Assembly				1			15
202-11	3700367001	Cord Anchorage	Kabelbefestigung			2		1	10
202-12	4861347002	Motor Wire Harness				1			10
202-13	4861347001	Motor Wire Harness				1			10
202-14	3135271001	Lower Housing				1			10
202-15	4861328001	Host Power Wire Harness				1			10
202-16	5640373001	Hex Serrated Flange Screw	Sechskantschraube			3		10	10
202-17	4860768001	Host Power Wire Harness	Massekabel			1		1	10
202-18	5630006003	Prevailing Torque Hexagon Nut	Mutter			6		10	20
202-19	5630015001	Prevailing Torque Hexagon Nut	Sechskantmutter Ve 1			1		10	20
202-20	2831917001	Main Electric Assembly				1			30
202-21	4861364002	Wire Harness				1			10
202-22	5611128001	Screw and Washer Assembly				21			10
202-23	5620019004	Hexagon Socket Screw	Imbusschraube			6		10	10
202-24	3707407001	Cord Anchorage	Kabelklemme			5		10	10
202-25	4861306001	Motor Wire Harness				1			10
202-26	3133018001	Waterproof Plug				2			5
202-27	3680226001	Magnetic Block	Magnet			1		1	10



Product Description: Tractor
Model Number: TR3800E-B
Service Item Number: 2850680001S01
Version: A
Issue Date: 2023/11/09

203 Drive Axle Assembly

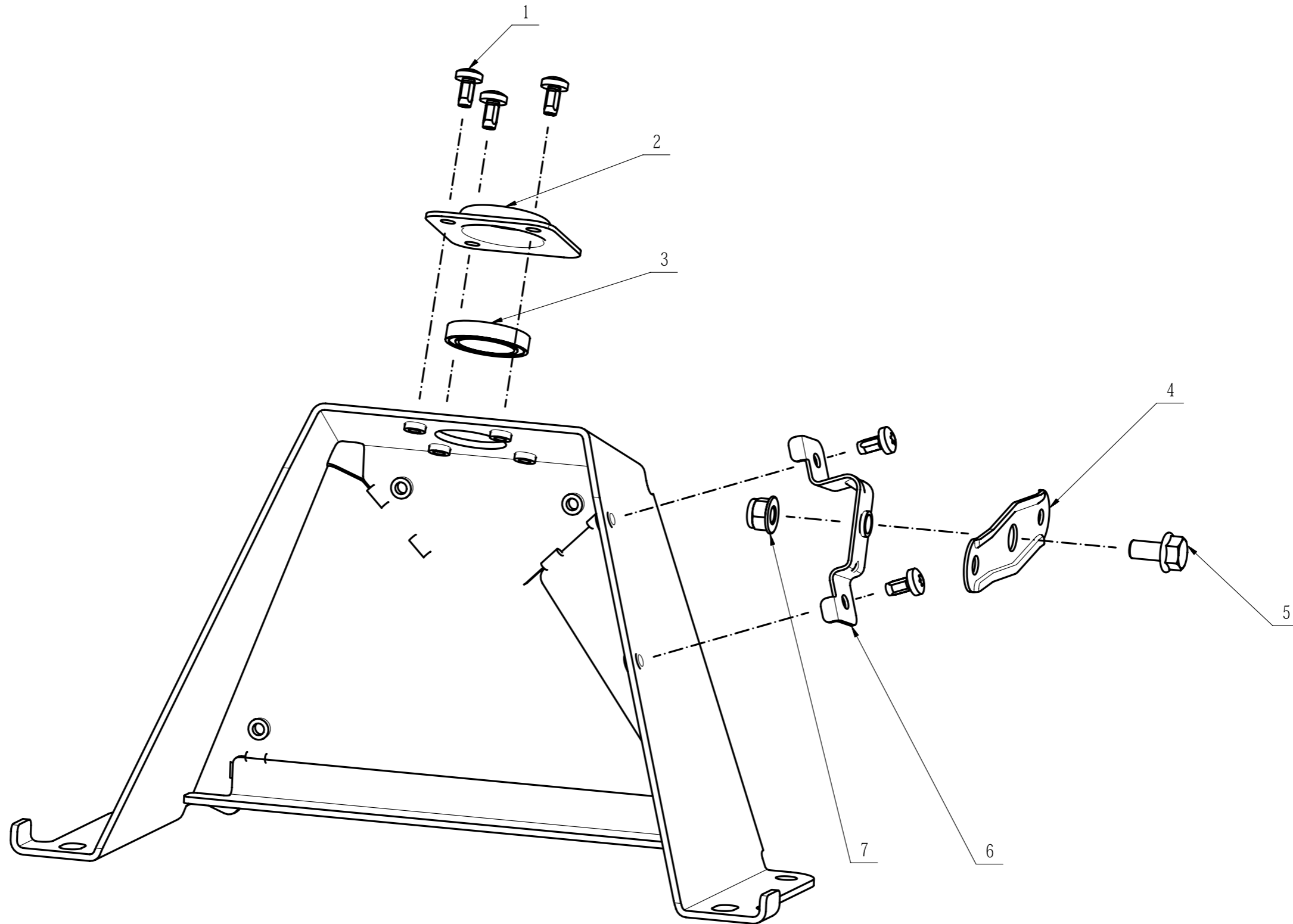




BILL OF MATERIALS
TR3800E-B Riding Mower

Index No.	Art. Nr.	Beschreibung EN	Beschreibung DE	Tls	Supersession	QTY in machine	Torque (Nm)	MPQ	Repair Time (min)
203-1	5630244004	Nut	Mutter			2		10	20
203-2	3708883001	Rocker Arm				2			20
203-3	5640536001	Flange Bolt				2			20
203-4	2730382002	DC Motor				1			30
203-5	5690612001	Sealing Gasket				1			30
203-6	2850131001	Rear Axle Assembly				1			60
203-7	5620550004	Hexagon Socket Screw				4			20
203-8	5611050001	Hexagon Socket Screw				1			20
203-9	5970163001	Grease				1			20

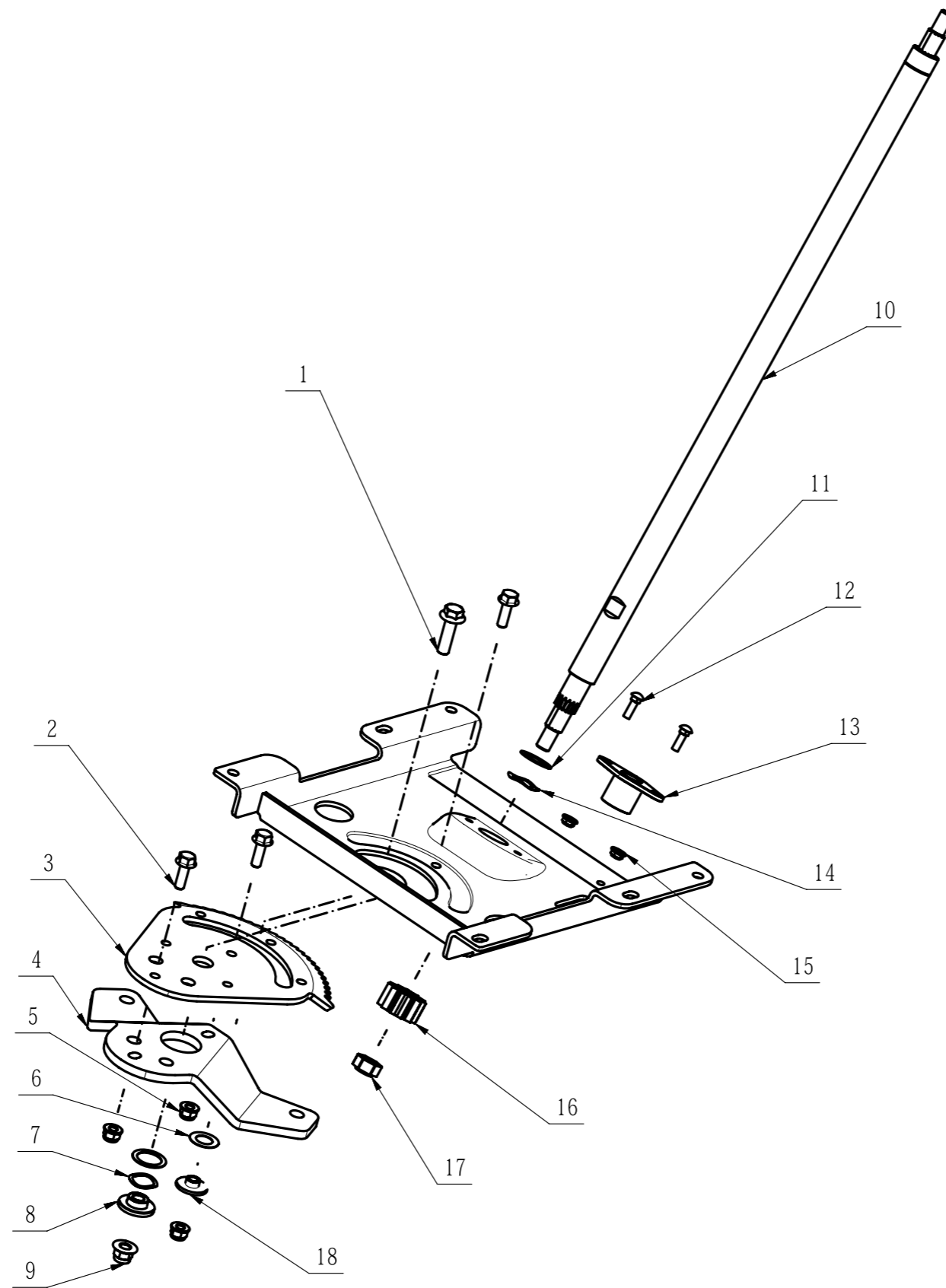
204 Support Plate Assembly





BILL OF MATERIALS
TR3800E-B Riding Mower

Index No.	Art. Nr.	Beschreibung EN	Beschreibung DE	Tls	Supersession	QTY in machine	Torque (Nm)	MPQ	Repair Time (min)
204-1	5610388001	Hexalobular Socket Thread Forming Screw	Schraube			5		10	1
204-2	3708919001	Bearing Clamping Plate				1			10
204-3	5700252001	Ball Bearing				1			10
204-4	3708905001	Switch-plate				1			10
204-5	5640222001	Hexagon Flange Bolt	Sechskantschraube			1		10	1
204-6	3708904001	Supporting Structure				1			10
204-7	5630371001	Prevailing Torque Type Hexagon Lock Nut wi Mutter				1		10	1





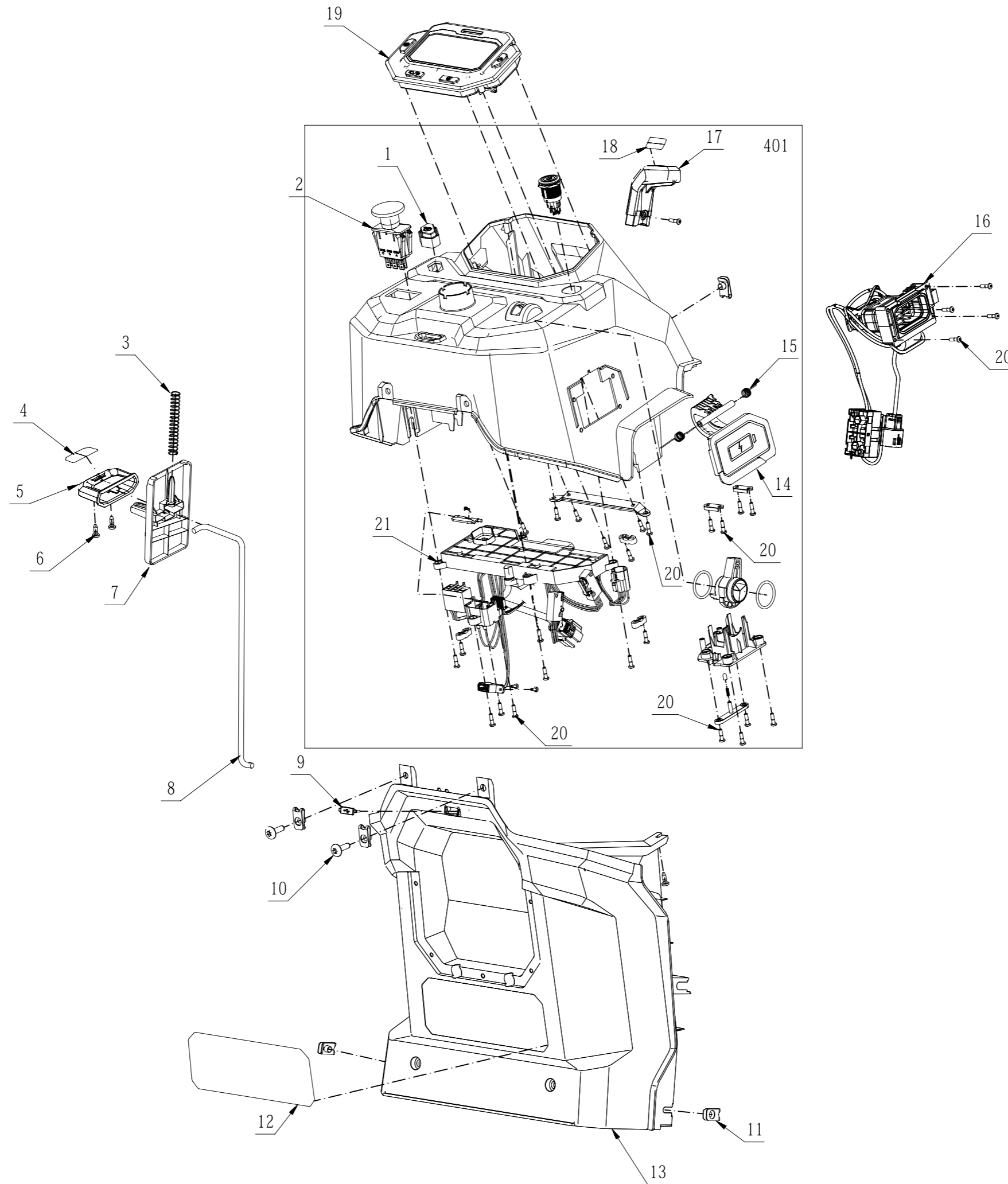
BILL OF MATERIALS
TR3800E-B Riding Mower

Index No.	Art. Nr.	Beschreibung EN	Beschreibung DE	Tls	Supersession	QTY in machine	Torque (Nm)	MPQ	Repair Time (min)
205-1	5640212002	Bolt				1		10	30
205-2	5640354001	Flange Bolt-Large Series	Flanschbolzen			3		10	30
205-3	3708923001	Deflecting Plate				1			30
205-4	3708916001	Connecting Plate				1			30
205-5	5630371001	Prevailing Torque Type Hexagon Lock Nut wi Mutter				3		10	5
205-6	5650366001	Washer				1			15
205-7	5650288001	Wave washer				1			30
205-8	3580471001	Bushing				1			30
205-9	5630267001	Nut	Mutter			1		10	5
205-10	2850275001	Shaft Assembly				1			30
205-11	5650246001	Washer				2			20
205-12	5640357001	Semicircular Head Square Neck Bolt	Schlossschraube			2		10	10
205-13	3522133001	Support Base				1			30
205-14	5650305001	Wave Washer				1			30
205-15	5630244004	Nut	Mutter			2		10	10
205-16	3570388001	Spline Gear				1			5
205-17	5630070003	Nut	Nut			1		10	10
205-18	3580472001	Bushing				1			20



Product Description: Tractor
Model Number: TR3800E-B
Service Item Number: 2850706002S01
Version: A
Issue Date: 2023/11/09

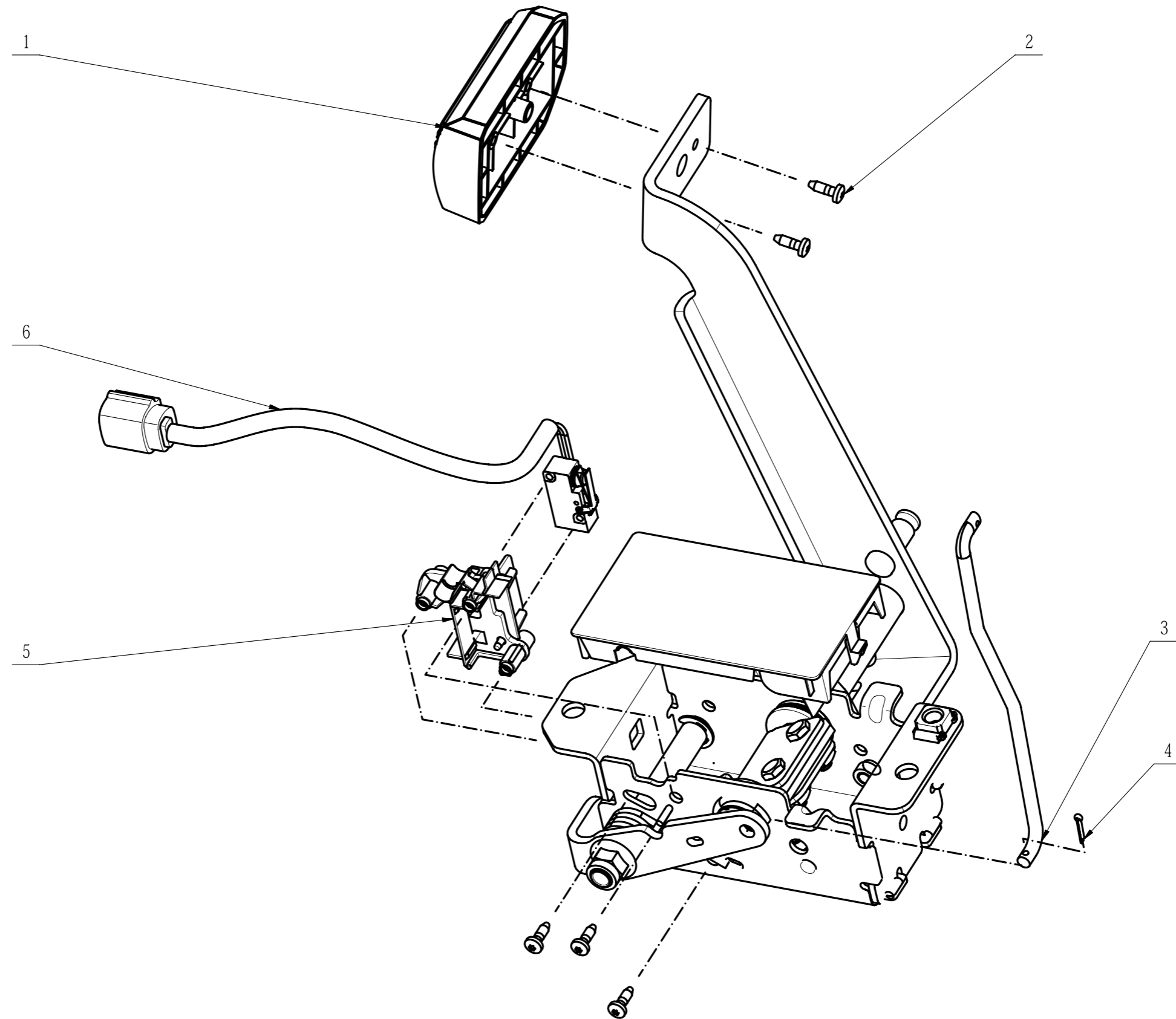
206 Manual Panel Assembly





BILL OF MATERIALS
TR3800E-B Riding Mower

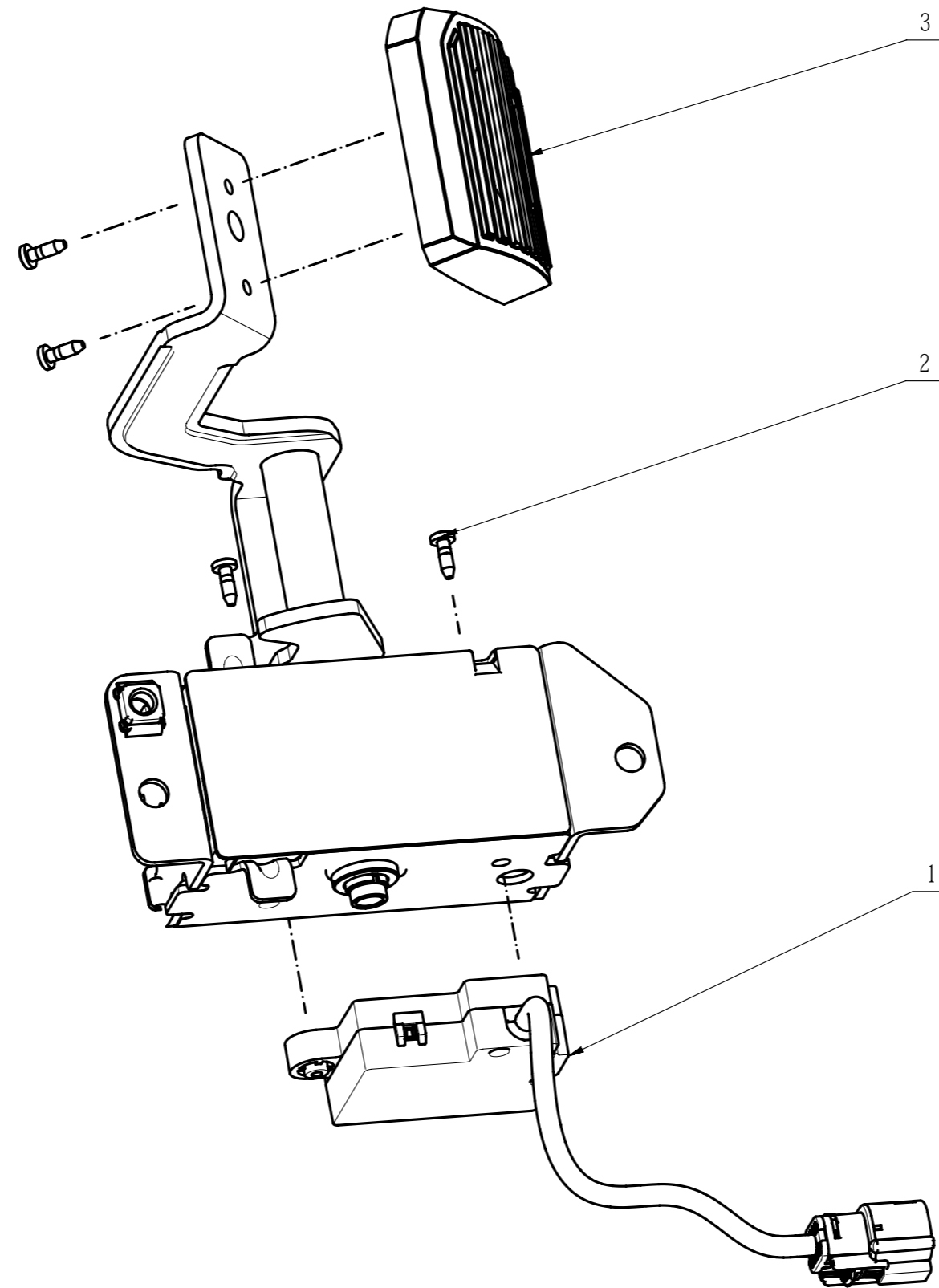
Index No.	Art. Nr.	Beschreibung EN	Beschreibung DE	Tls	Supersession	QTY in machine	Torque (Nm)	MPQ	Repair Time (min)
206-1	3134190001	Cruise Button				1			8
206-2	4870762001	Push Switch	Schalter für Mähwerk			1		1	7
206-3	3667866001	Compression Spring				1			6
206-4	2246017001	Nameplate				1			2
206-5	3134137002	Push Plate				1			6
206-6	5620377003	Hexagon Socket Screw	Sechskantschraube			4		10	6
206-7	3134138001	Plunge Unit				1			6
206-8	3650312001	Pull Rod				1			6
206-9	3135120001	Rubber Plug				1			6
206-10	5611130001	Hexalobular Socket Tapping Screw				2			6
206-11	5630507001	Anti-stripping Clip				5			6
206-12	2246155001	Nameplate				1			2
206-13	3134186002	Support Base				1			10
206-14	3134179001	Charging Port Cover				1			7
206-15	3660810001	Torsion Spring	Drehfeder			2		10	7
206-16	2829750001	Charging Harness Assembly				1			7
206-17	3134192002	Handle				1			7
206-18	2246016001	Nameplate				1			2
206-19	2829495001	LCD Assembly				1			8
206-20	5610305001	Tapping Screw	Blechschrabe St3.5x13			29		10	1
206-21	2831711001	Operation Panel Control Electric Assembly				1			2
206-22	2245663001	Nameplate				1			1
206-401	2851020001	Operation Panel Assembly				1			2





BILL OF MATERIALS
TR3800E-B Riding Mower

Index No.	Art. Nr.	Beschreibung EN	Beschreibung DE	Tls	Supersession	QTY in machine	Torque (Nm)	MPQ	Repair Time (min)
207-1	3134128001	Pedal				1			5
207-2	5620377003	Hexagon Socket Screw	Sechskantschraube			5		10	60
207-3	3650329001	Handspike				1			60
207-4	5670184002	Pin	Stift			1		1	60
207-5	3134130001	Switch Support				1			60
207-6	4870979001	Switch Assembly				1			60





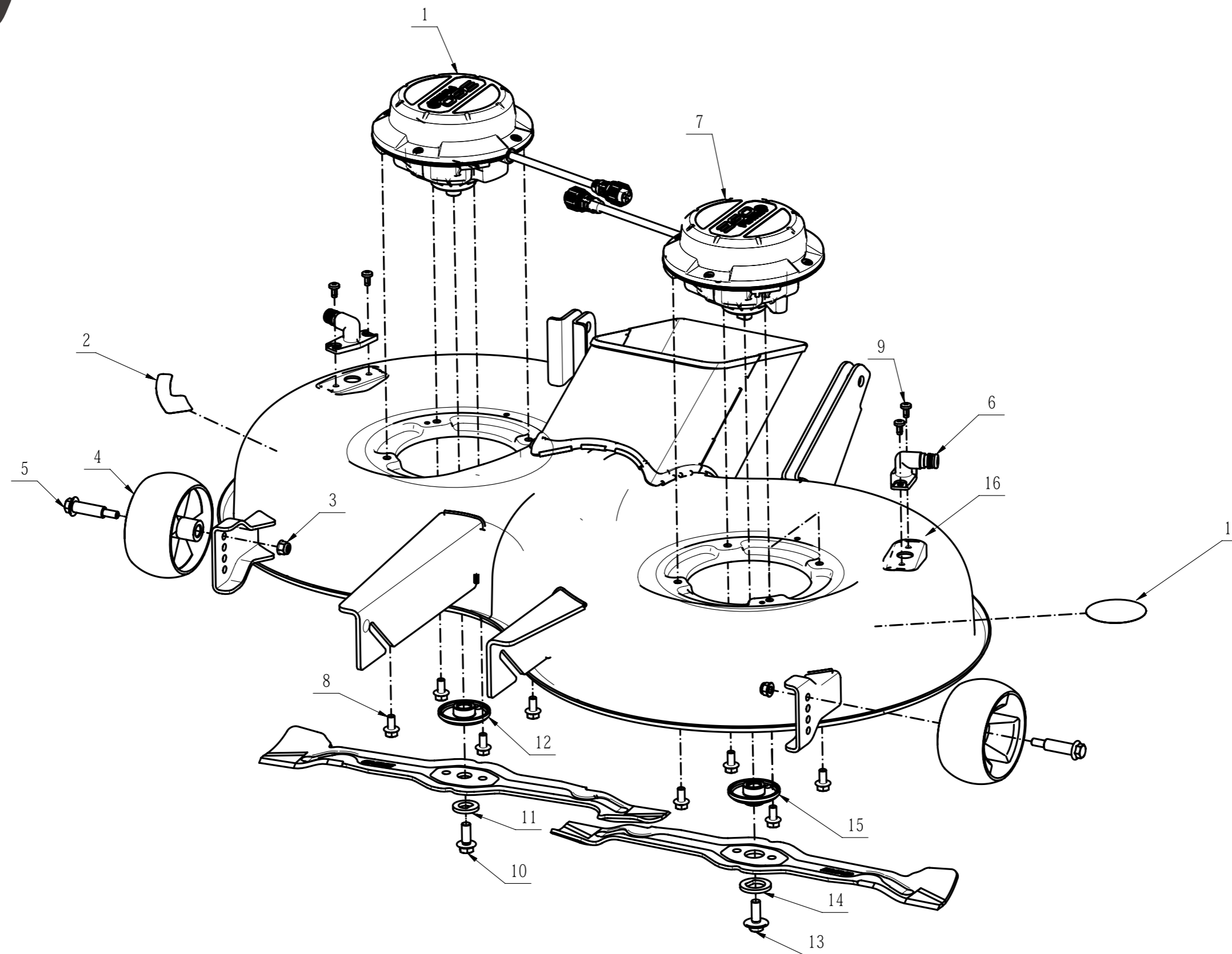
BILL OF MATERIALS
TR3800E-B Riding Mower

Index No.	Art. Nr.	Beschreibung EN	Beschreibung DE	Tls	Supersession	QTY in machine	Torque (Nm)	MPQ	Repair Time (min)
208-1	2831378001	Hall Electric Assembly				1			30
208-2	5620377003	Hexagon Socket Screw	Sechskantschraube			4		10	30
208-3	3134129001	Pedal				1			5



Product Description: Tractor
Model Number: TR3800E-B
Service Item Number: 2829494002S01
Version: A
Issue Date: 2023/11/09

209 Deck Unit

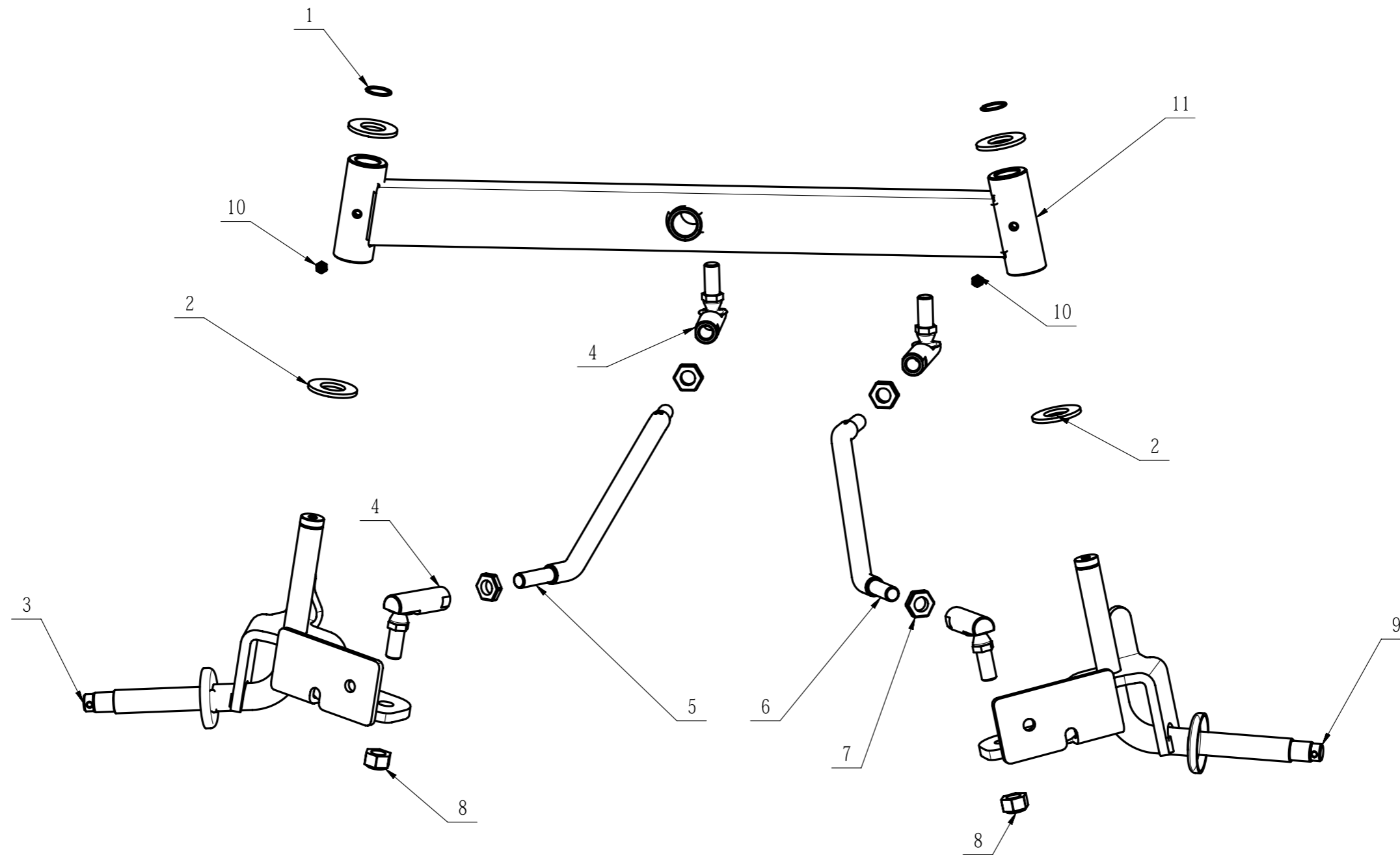




BILL OF MATERIALS
TR3800E-B Riding Mower

Index No.	Art. Nr.	Beschreibung EN	Beschreibung DE	Tls	Supersession	QTY in machine	Torque (Nm)	MPQ	Repair Time (min)
209-1	2730319001	DC Motor	Mähmotor			1		1	20
209-2	2246152001	Nameplate				1			1
209-3	5630371001	Prevailing Torque Type Hexagon Lock Nut wi Mutter				2		10	1
209-4	3131072001	Roller Wheel	Anschlagsrolle			2		1	3
209-5	5640352001	Hexagon Flange Bolt	Sondersechskanntschaube			2		10	1
209-6	2823718001	Outlet Nozzle Assembly				2			6
209-7	2730414001	DC Motor				1			20
209-8	5640222001	Hexagon Flange Bolt	Sechskanntschaube			8		10	1
209-9	5610388001	Hexalobular Socket Thread Forming Screw	Schraube			4		10	1
209-10	5640226001	Flange Bolt	Befest.schraube Messer			1	50 - 60 Nm	10	15
209-11	5650510001	Washer	Scheibe			1		10	15
209-12	3580113001	Flange	Messerflansch			1		10	15
209-13	5640557001	Flange Bolt				1			15
209-14	5651099001	Plain Washer				1			15
209-15	3580547001	Flange				1			15
209-16	2850065002	Deck Unit				1			30
209-17	2240127004	Label				1			1

210 Front Axle



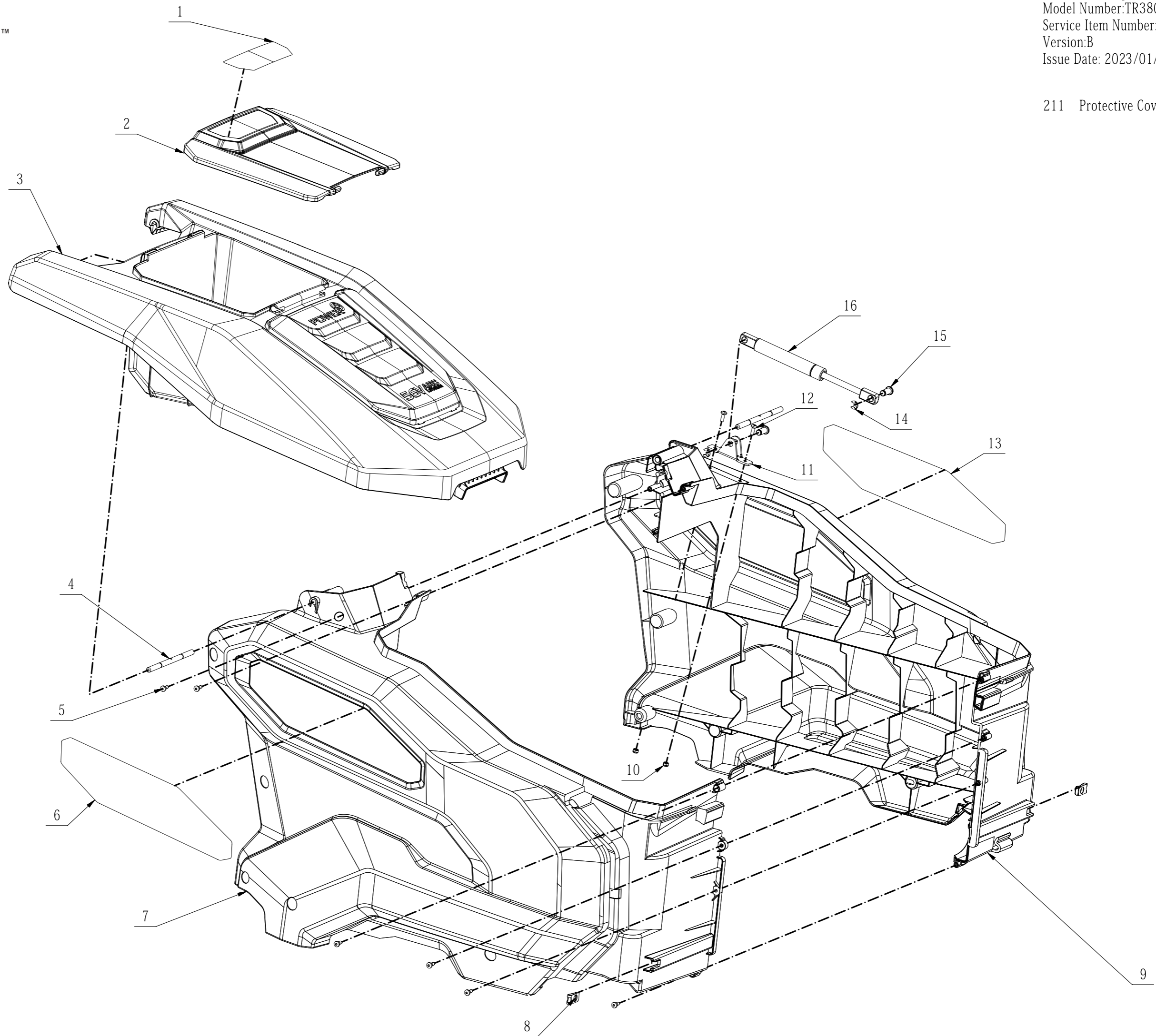


BILL OF MATERIALS
TR3800E-B Riding Mower

Index No.	Art. Nr.	Beschreibung EN	Beschreibung DE	Tls	Supersession	QTY in machine	Torque (Nm)	MPQ	Repair Time (min)
210-1	5660384001	Spiral Ring For Shaft				2			1
210-2	5650908001	Plain Washer				4			2
210-3	2829425001	Front Wheel Bracket Assembly				1			20
210-4	5700539001	Spherical Plain Bearings				4			20
210-5	3708922001	Right Drag Link				1			20
210-6	3708921001	Left Drag Link				1			10
210-7	5630520001	Hexagon Thin Nut				4			10
210-8	5630519001	Lock Nut				2			2
210-9	2829424001	Front Wheel Bracket Assembly				1			20
210-10	5640520001	Straight Hydraulic Grease Nipples				2			1
210-11	2829423001	Front Axle				1			30



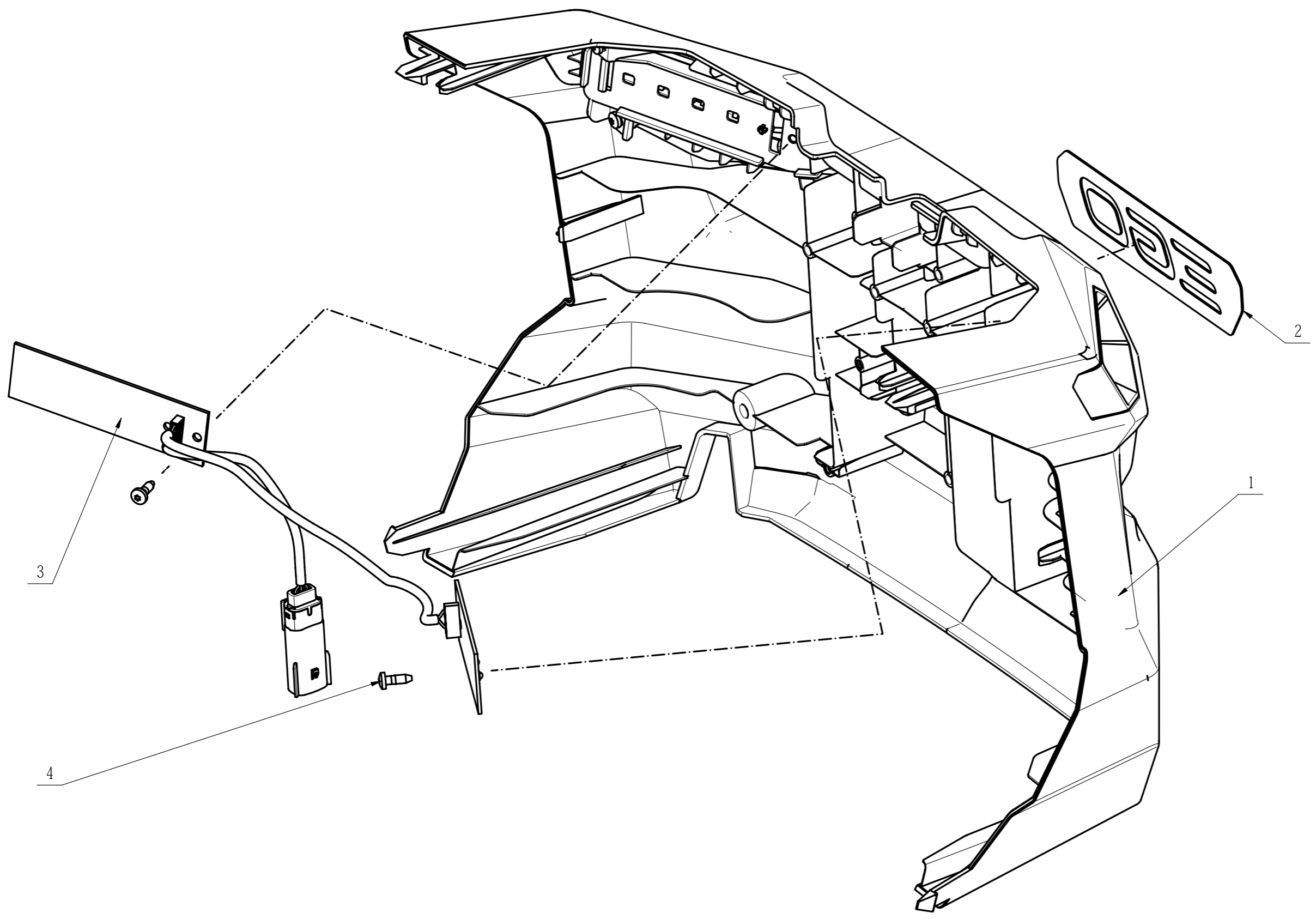
211 Protective Cover Assembly





BILL OF MATERIALS
TR3800E-B Riding Mower

Index No.	Art. Nr.	Beschreibung EN	Beschreibung DE	Tls	Supersession	QTY in machine	Torque (Nm)	MPQ	Repair Time (min)
211-1	2246015001	Nameplate				1			1
211-2	3403493002	Lid Case				1			3
211-3	2850158002	Battery Box Cover Assembly				1			15
211-4	5670564001	Pin Shaft				2			1
211-5	5620377003	Hexagon Socket Screw	Sechskantschraube			6		10	3
211-6	2246020002	Nameplate				1			1
211-7	3134185002	Right Cover				1			10
211-8	5630507001	Anti-stripping Clip				2			5
211-9	3134178002	Left Cover				1			10
211-10	5630231001	Nut				2			3
211-11	3707349001	Support Base	Halter für Dämpfer			1		1	5
211-12	5620477003	Hexagon Lobular Screw				2			3
211-13	2246020001	Nameplate				1			1
211-14	5660305001	E Ring	E Ring			2		10	3
211-15	5670559001	Pin Shaft	Bolzen			2		10	5
211-16	3660805001	Gas Spring	Dämpfer			1		1	10





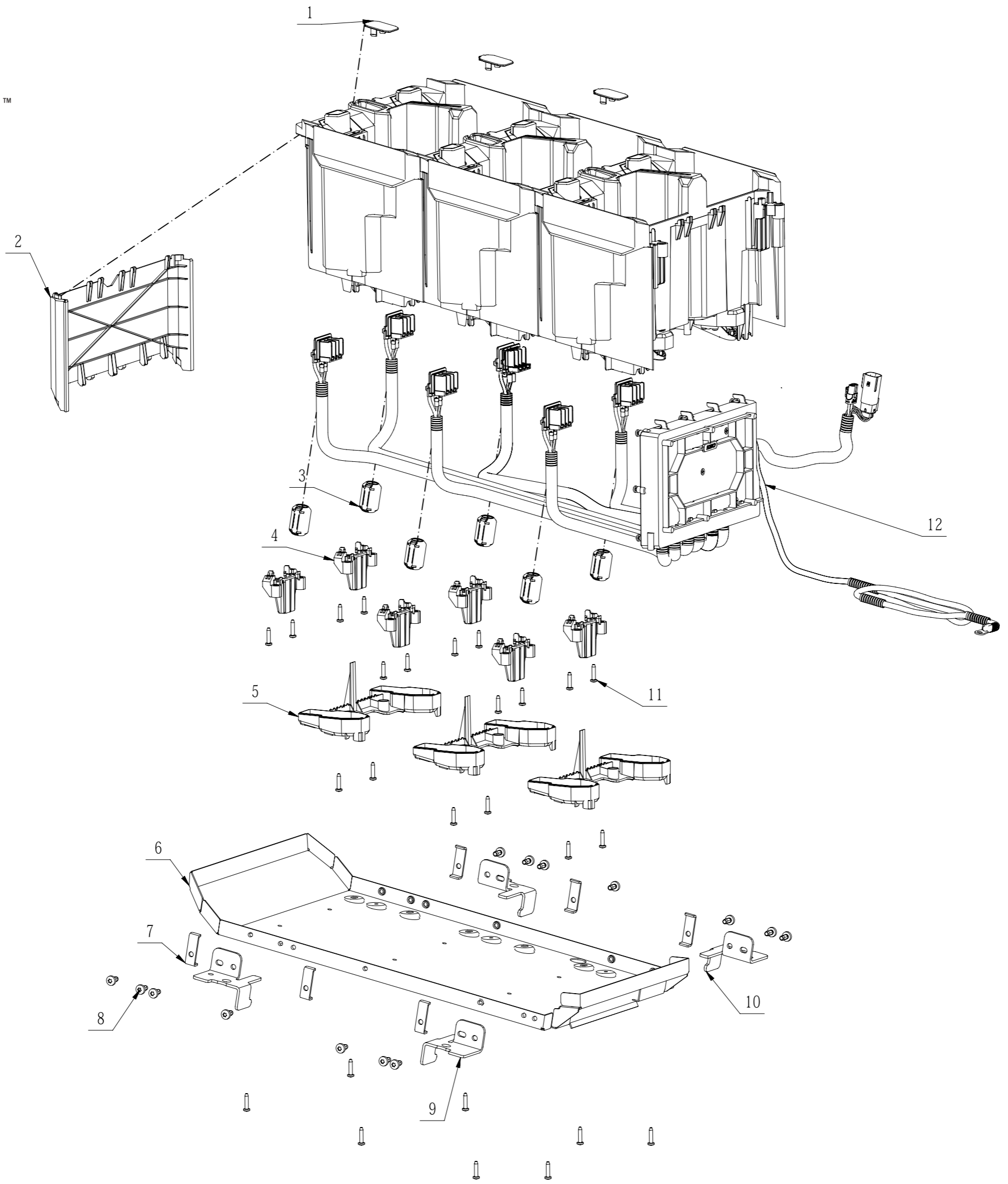
BILL OF MATERIALS
TR3800E-B Riding Mower

Index No.	Art. Nr.	Beschreibung EN	Beschreibung DE	Tls	Supersession	QTY in machine	Torque (Nm)	MPQ	Repair Time (min)
212-1	2850240002	Front Cover Assembly				1			15
212-2	3707446001	EGO Logo				1			3
212-3	2831479001	LED Electric Assembly				1			10
212-4	5620377003	Hexagon Socket Screw	Sechskantschraube			2		10	3



Product Description: Tractor
Model Number: TR3800E-B
Service Item Number: 2850682001S01
Version: A
Issue Date: 2023/11/09

213 Battery Box Assembly





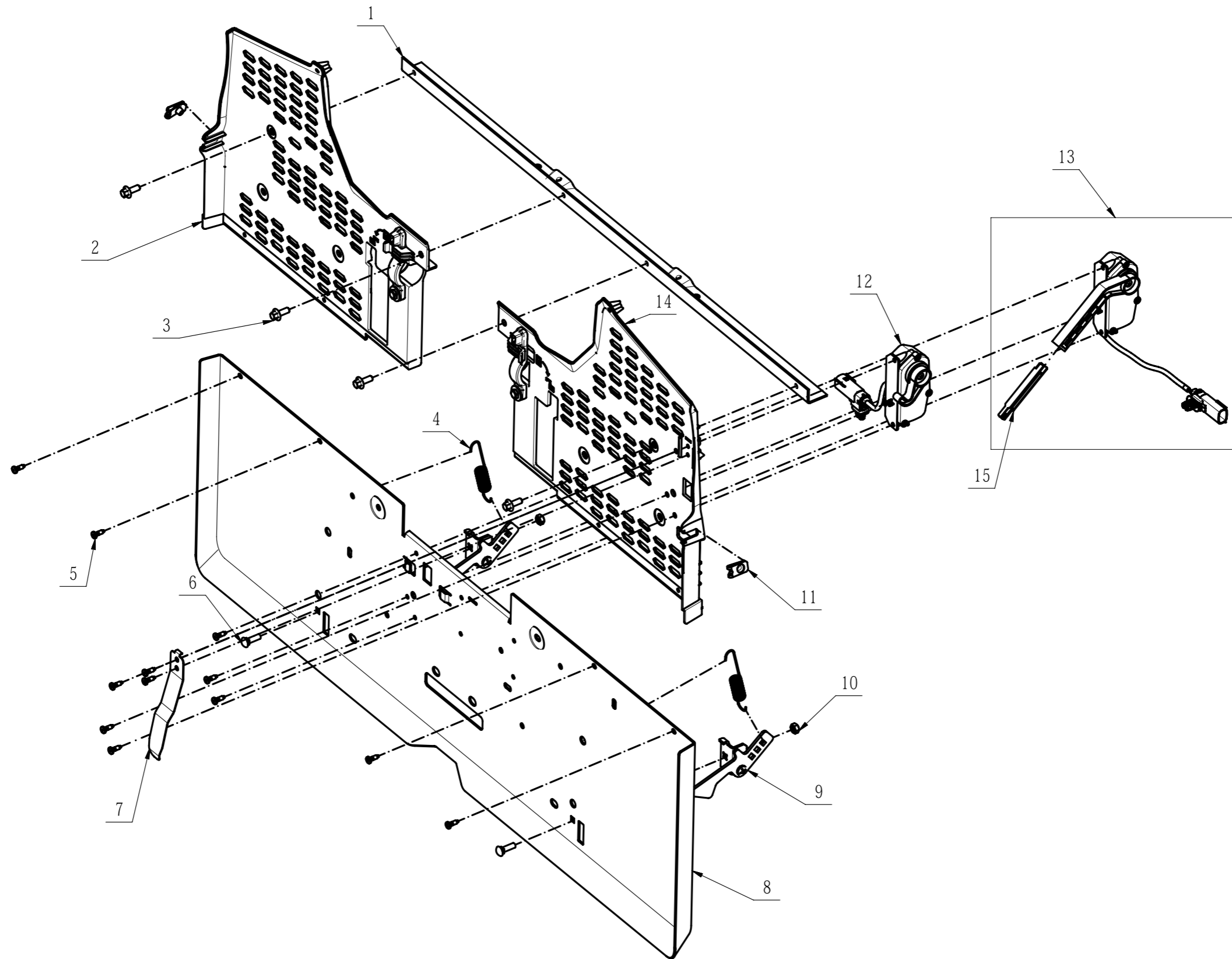
BILL OF MATERIALS
TR3800E-B Riding Mower

Index No.	Art. Nr.	Beschreibung EN	Beschreibung DE	Tls	Supersession	QTY in machine	Torque (Nm)	MPQ	Repair Time (min)
213-1	3130965001	Cover				3			1
213-2	3130961001	Dust Cover				1			30
213-3	3680226001	Magnetic Block	Magnet			6		1	30
213-4	3131426001	Supporting Structure				6			35
213-5	3130969001	Cover Plate				3			30
213-6	3709240001	Big Base Plate				1			28
213-7	3707351001	Hook	Klammer			6		10	25
213-8	5610388001	Hexalobular Socket Thread Forming Screw	Schraube			14		10	20
213-9	3708880001	Battery Left Bracket				2			20
213-10	3708879001	Right Bracket for Battery				2			20
213-11	5620157006	Hexagon Socket Screw	Inbusschraube			42		10	35
213-12	2831480001	BMS Electric Assembly				1			40



Product Description: Tractor
Model Number: TR3800E-B
Service Item Number: 2850577001S01
Version: A
Issue Date: 2023/11/09

215 Backboard Assembly





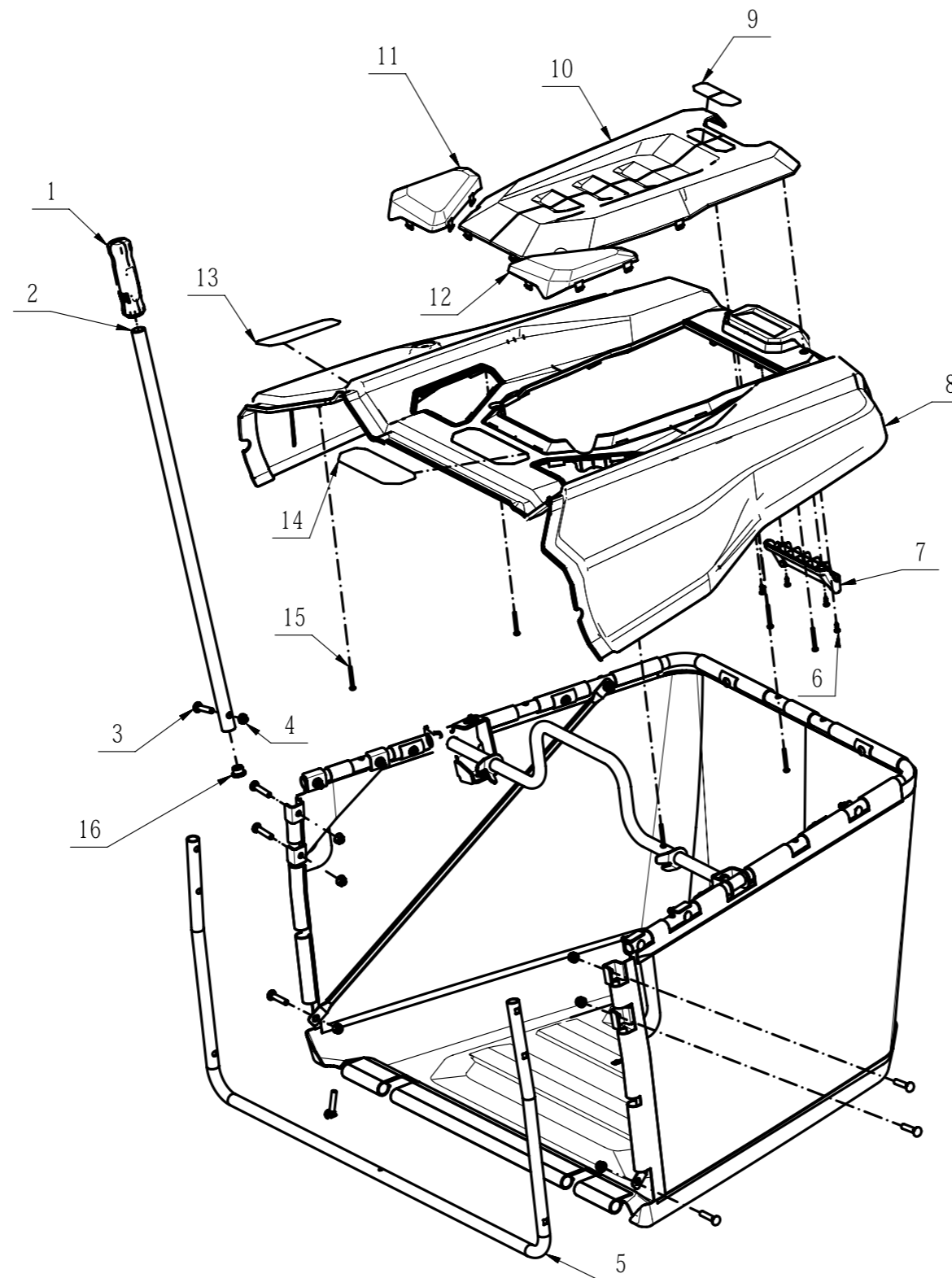
BILL OF MATERIALS
TR3800E-B Riding Mower

Index No.	Art. Nr.	Beschreibung EN	Beschreibung DE	Tls	Supersession	QTY in machine	Torque (Nm)	MPQ	Repair Time (min)
215-1	3709341001	Intermediate Support				1			20
215-2	2850647001	Left Side Plate				1			15
215-3	5611051001	Hexagon Flange Head Thread Forming Screw				4			1
215-4	3667984001	Tension Spring				2			1
215-5	5620377003	Hexagon Socket Screw	Sechskantschraube			12	10		1
215-6	5640357001	Semicircular Head Square Neck Bolt	Schlossschraube			2	10		1
215-7	3709330001	Leaf Spring				1			2
215-8	3709366001	Backboard				1			30
215-9	2850645001	Lock Assembly				2			5
215-10	5630015007	Prevailing Torque Hexagon Nut				2		10	2
215-11	5630507001	Anti-stripping Clip				2			1
215-12	2850620001	Switch Box Assembly				1			10
215-13	2850621001	Switch Box Assembly				1			10
215-14	2850648001	Right Side Plate				1			15
215-15	3135052001	Telescopic Pole				1			1



Product Description: Tractor
Model Number: TR3800E-B
Service Item Number: 2850576002S01
Version: A
Issue Date: 2023/11/09

216 Grass Catcher Assembly





BILL OF MATERIALS
TR3800E-B Riding Mower

Index No.	Art. Nr.	Beschreibung EN	Beschreibung DE	Tls	Supersession	QTY in machine	Torque (Nm)	MPQ	Repair Time (min)
216-1	3135303001	Handle				1			3
216-2	3709367001	Telescope Tube				1			5
216-3	5640327001	Square Neck Bolt				14			1
216-4	5630371001	Prevailing Torque Type Hexagon Lock Nut wi Mutter				15		10	1
216-5	3709362001	Elbow Tube				1			10
216-6	5620377003	Hexagon Socket Screw	Sechskantschraube			4		10	1
216-7	3135003001	Rear Handle Cover				1			5
216-8	3135000002	Rear Cover				1			20
216-9	2246154001	Nameplate				1			1
216-10	3135008002	Decorative Cover				1			10
216-11	3135004001	Right Transparent Cover				1			2
216-12	3135005001	Left Transparent Cover				1			2
216-13	2246156001	Nameplate				1			1
216-14	2246153001	Nameplate				1			1
216-15	5610286001	Tapping Screw	Blehschraube			6		10	1
216-16	3135769001	End Cap				1			1