



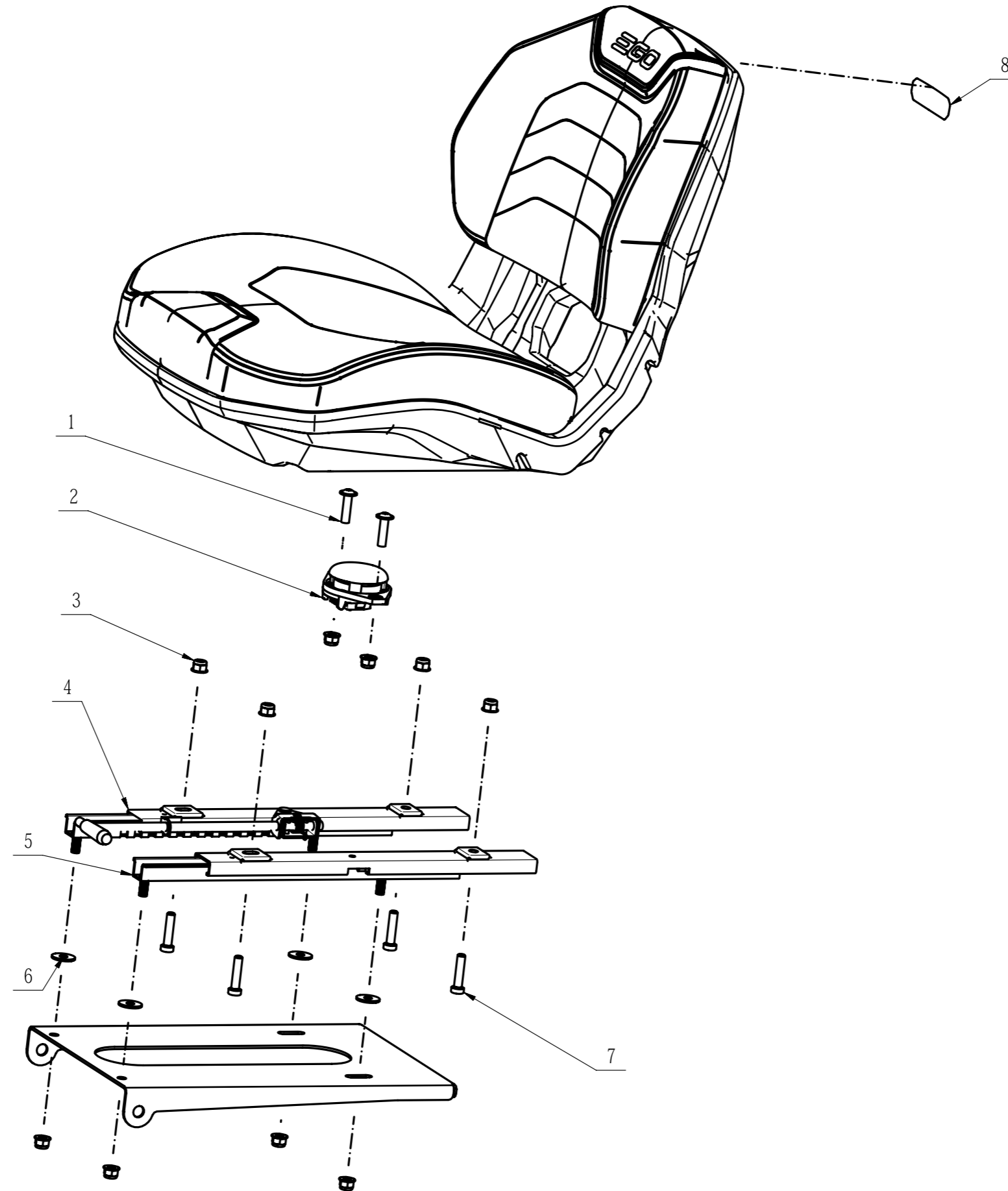
BILL OF MATERIALS
TR4200E Riding Mower

Index Nr.	Art. Nr.	Beschreibung EN	Beschreibung DE	Tis	Supersession	QTY in machine	Torque (Nm)	MPQ	Repair Time (min)
1	2246023002	Nameplate				1			1
2	3134258003	Right Cover Plate				1			7
3	2246019001	Nameplate				1			1
4	3134260001	Storage Box Top Cover				1			7
5	2850177003	Rear Cover Assembly				1			7
6	2246076001	Nameplate				1			1
7	3134261002	Rear Guard				1			2
8	5630507001	Anti-stripping Clip				3			1
9	5630516001	Conical Nut				8			0
10	2829492001	Rear Wheel Set				2			5
11	3134257001	Adjusting Handle				1			2
12	5610388001	Hexalobular Socket Thread Forming Screw	Schraube			1		10	0
13	3667857001	Torsion Spring				1			6
14	3708920001	Handle Lever				1			5
15	2829635003	Cover Assembly				1			3
16	2850764001	Lift Shaft Assembly				1			20
17	2829438001	Rocker Assembly				1			60
18	5670553001	Pin Shaft	Bolzen			2		10	3
19	2829621001	Base Assembly				1			20
20	3667856001	Tension Spring				1			5
21	2829349001	Base Assembly				1			20
22	5640363002	Flange Bolt-Large Series				4			0
23	3708924001	Hitch				1			2
24	2245663001	Nameplate				1			1
25	5640530001	U Bolt				4			5
26	5630505001	Hex Nut				2			0
27	3555993001	Spindle				2			5
28	5650178001	Washer				2			8
29	5640507001	Bolts for T-Slot				2			5
30	3667850001	Compression Spring				2			8
31	3323511001	Decorative Cover				1			1
32	5630070003	Nut	Nut			3		10	0
33	3403459001	Steering Wheel Assembly				1			5
34	2246024002	Nameplate				1			1
35	5650017011	Plain Washer				4			0
36	2246022002	Nameplate				1			1
37	5640302001	Hexagon Head Bolt				2			0
38	3708866001	Pressure Plate				2			30
39	5630267001	Nut	Mutter			8		10	0
40	5630511001	Nut				1			0
41	3708913001	Depth Stop Plate				1			8
42	3134839001	Splash Guard				1			9
43	3134267001	Decorative Ring				1			1
44	5670184002	Pin	Stift			2		1	1
45	5640360001	Hexagon Flange Head Thread Forming Screw	Schraube			35		10	0
46	3708979001	Close Cover				1			10
47	3135103001	Fixed Unit				3			6
48	5611051001	Hexagon Flange Head Thread Forming Screw				12			0
49	5640354001	Flange Bolt-Large Series	Flanschbolzen			4		10	0
50	3134126001	Fixed Unit				2			30
51	3134127001	Bottom Board				2			30
52	3709506001	Bracket				1			25
53	3521236001	Support Base	Stützplatte			2		10	20
54	3707307001	Pressure Plate	Halter			2		1	20
55	2829443001	Connecting Rod Assembly				1			30
56	3667865001	Compression Spring				1			30
57	3135765001	Screw Cover				1			1
58	3134123001	Locking Plate				1			10
59	2850266001	Protecting Net Assembly				1			3
60	3134435001	Bushing				1			6
61	5620157006	Hexagon Socket Screw	Inbusschraube			4		10	0
62	2245660001	Nameplate				2			1
63	5640358001	Small Round Head Low Square Neck Bolt	Schlossschraube			6		10	0

64	5630519001	Lock Nut		2		0
65	5670753001	Spring Pin		1		1
66	3708859003	Pedal		1		3
67	5640222001	Hexagon Flange Bolt	Sechskantschraube	2	10	1
68	3667946001	Tension Spring		1		5
69	5670561002	Split Pin		7		1
70	5630518001	Lock Nut		2		0
71	5650908001	Plain Washer		2		0
72	3134552001	Decorative Cover		1		10
73	5620377003	Hexagon Socket Screw	Sechskantschraube	17	10	0
74	5611130001	Hexalobular Socket Tapping Screw		11		0
75	3708858003	Pedal		1		3
76	3700367001	Cord Anchorage	Kabelbefestigung	1	1	0
77	5640353001	Flange Bolt-Large Series	Sechskantschraube	4	10	0
78	5630371001	Prevailing Torque Type Hexagon Lock Nut wi Mutter		23	10	0
79	2850152001	Hanger Rod Assembly		1		6
80	5640521001	Hexagon Head Bolt		1		0
81	3580470001	Bushing		2		6
82	2850198001	Front Frame Assembly		1		6
83	2829678001	Front Wheel Set		2		5
84	4861221001	Bus Wire Harness Assembly		1		35
85	2827673001	Key Assembly	Sicherheitsschlüssel	2	10	0
86	5680369001	Open-end Wrench		2		1
87	5650703001	Plain Washer		2		2
88	5640510001	Hexagon Flange Head Screw with Shoulder		3		3
89	5680368001	Socket Wrench		1		4
90	2823689001	Quick Connect Coupling	Wasseranschluss	1	1	5
201	2829546002	Seat Assembly		1		15
202	2832128001	Control Electric Assembly		1		30
207	2829440001	Brake Assembly		1		40
208	2829441001	Accelerator		1		30
212	2850243001	Front Cover Assembly		1		15
213	2850682001	Battery Box Assembly		1		30
214	2851021001	Wrench Tool Set		1		0



Product Description:Tractor
Model Number:TR4200E
Service Item Number:2829546002S01
Version:A
Issue Date: 2023/11/1



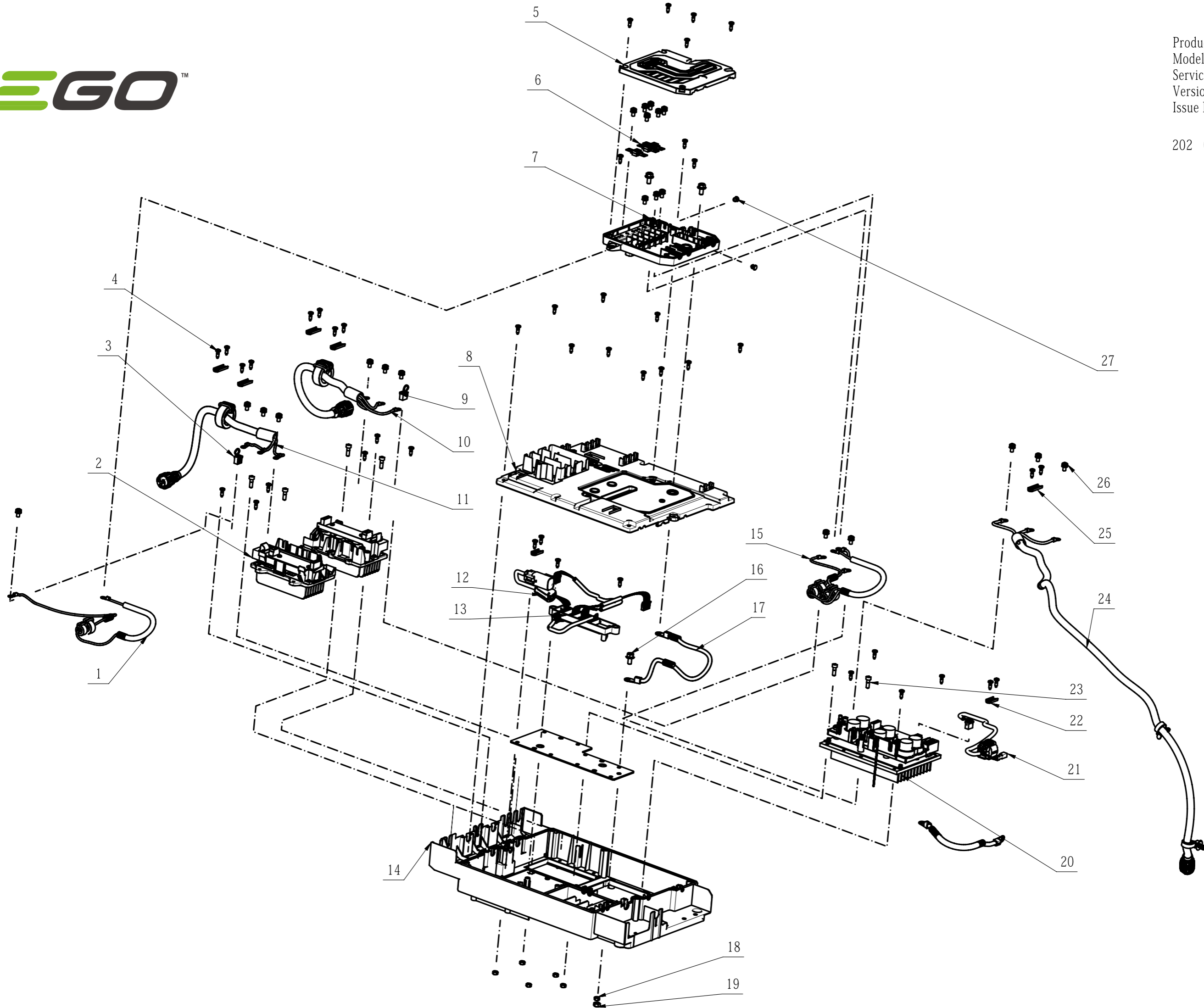
201 Seat Assembly

201-1	5611121001	Hexagon Socket Button Head Screw	2		10
201-2	4870579001	Switch Assembly	1	1	10
201-3	5630371001	Prevailing Torque Type Hexagon Lock Nut wi Mutter	10	10	10
201-4	2829523001	Right Guide Rail	1		15
201-5	2829522001	Left Guide Rail	1		15
201-6	5650024005	Plain Washer	12	10	10
201-7	5611175001	Hexagon Socket Head Cap Screw	4		10
201-8	2246018001	Nameplate	1		10



Product Description: Tractor
Model Number: TR4200E
Service Item Number: 2832128001S01
Version: A
Issue Date: 2023/11/21

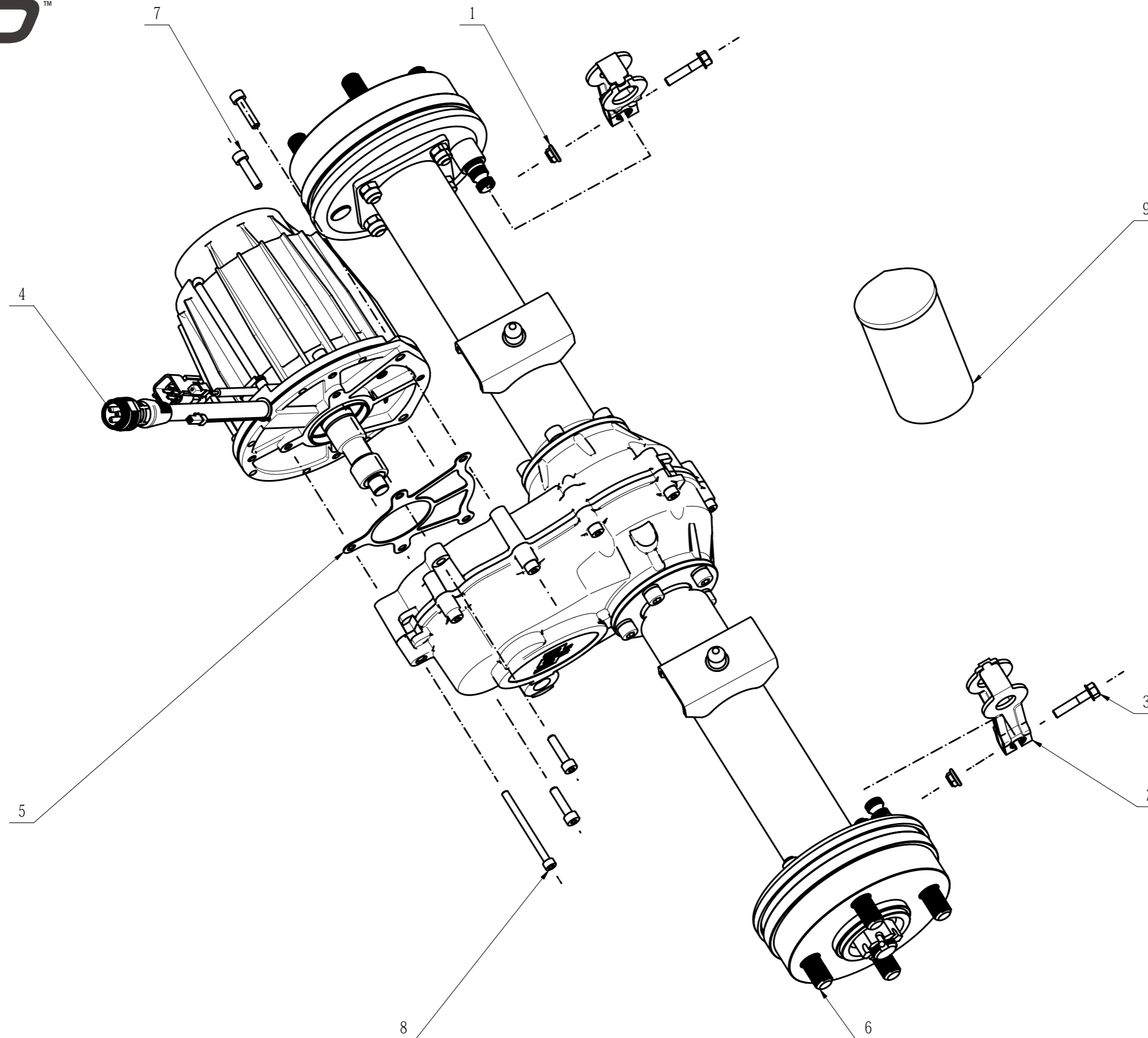
202 Control Electric Assembly



202-1	4861329001	Host Power Wire Harness		1		10
202-2	2831918001	Motor Driver Electric Assembly		2		30
202-3	4861204001	Motor Wiring Harness		1		10
202-4	5620377003	Hexagon Socket Screw	Sechskantschraube	44	10	10
202-5	3131053001	Fuse PCB Box	Sicherungs Box	1	1	5
202-6	4970355001	Fuse	Sicherung (80A)	3	10	10
202-7	2850307001	Base Assembly		1		8
202-8	3135272001	Top Cover		1		10
202-9	4861205001	Motor Wiring Harness		1		10
202-10	4861347002	Motor Wire Harness		1		10
202-11	4861347001	Motor Wire Harness		1		10
202-12	3680226001	Magnetic Block	Magnet	1	1	10
202-13	2831467001	Connecting Electric Assembly		1		15
202-14	3135271001	Lower Housing		1		10
202-15	4861328001	Host Power Wire Harness		1		10
202-16	5640373001	Hex Serrated Flange Screw	Sechskantschraube	3	10	10
202-17	4860768001	Host Power Wire Harness	Massekabel	1	1	10
202-18	5630006003	Prevailing Torque Hexagon Nut	Mutter	6	10	20
202-19	5630015001	Prevailing Torque Hexagon Nut	Sechskantmutter Ve 1	1	10	20
202-20	2831917001	Main Electric Assembly		1		30
202-21	4861364001	Wire Harness		1		10
202-22	3700367001	Cord Anchorage	Kabelbefestigung	2	1	10
202-23	5620019004	Hexagon Socket Screw	Imbusschraube	6	10	10
202-24	4861306002	Motor Wire Harness		1		10
202-25	3707407001	Cord Anchorage	Kabelklemme	5	10	10
202-26	5611128001	Screw and Washer Assembly		21		10
202-27	3133018001	Waterproof Plug		2		5

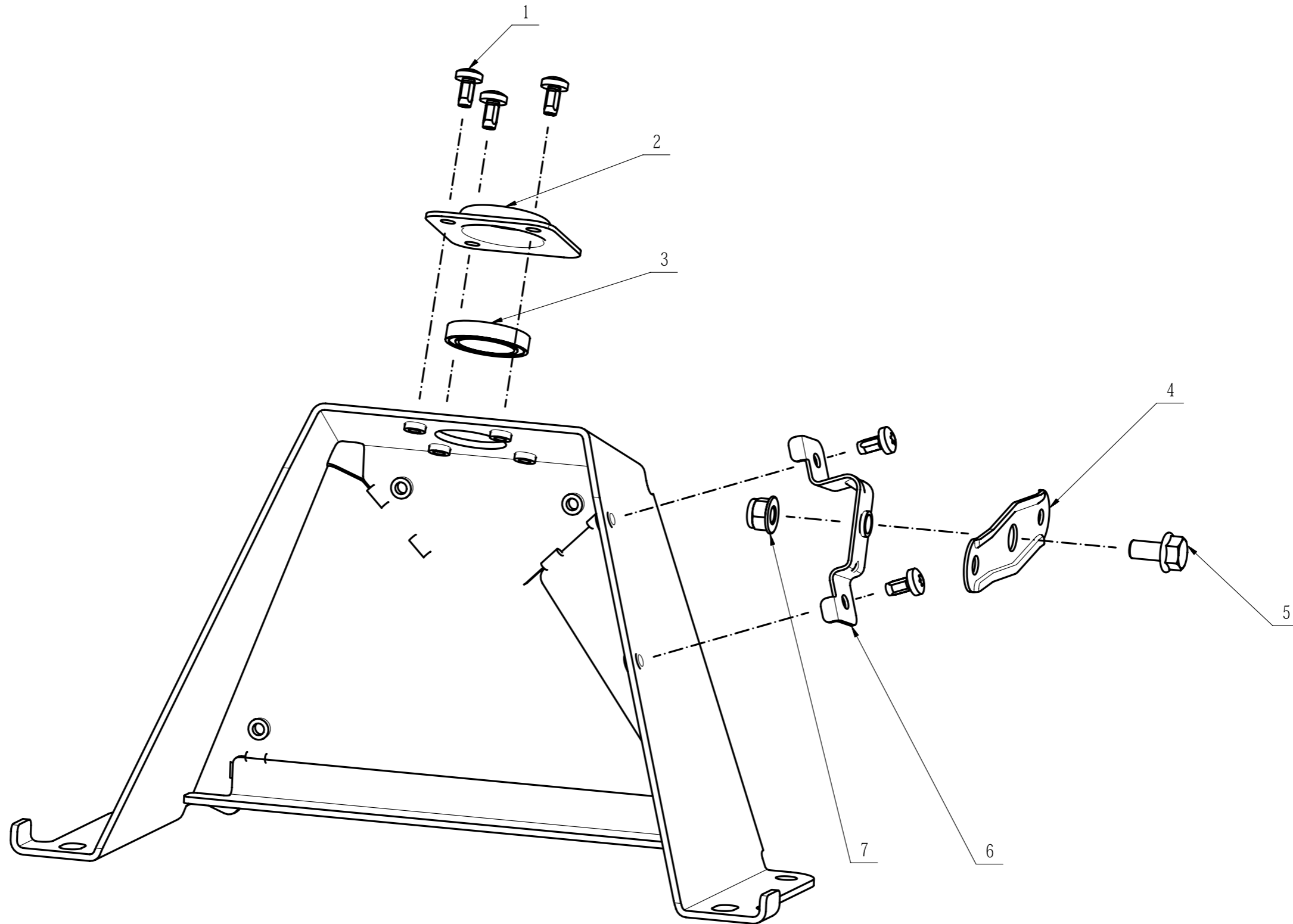


Product Description: Tractor
Model Number: TR4200E
Service Item Number: 2850164002S01
Version: A
Issue Date: 2023/10/24

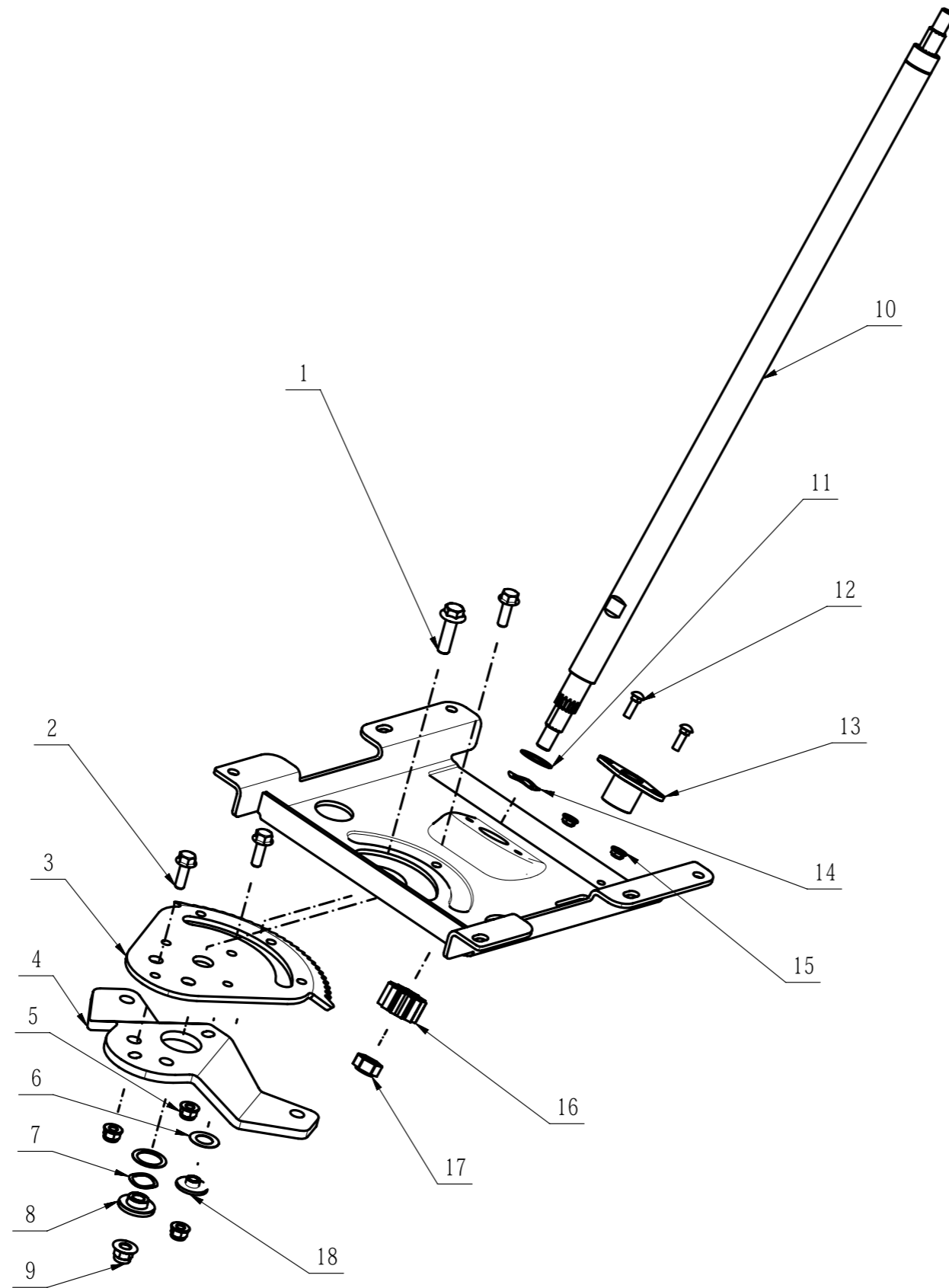


203 Drive Axle Assembly

203-1	5630244004	Nut	Mutter	2	10	20
203-2	3708883001	Rocker Arm		2		20
203-3	5640536001	Flange Bolt		2		20
203-4	2730382002	DC Motor		1		30
203-5	5690612001	Sealing Gasket		1		30
203-6	2829675001	Rear Axle Assembly		1		30
203-7	5620550004	Hexagon Socket Screw		4		20
203-8	5611050001	Hexagon Socket Screw		1		20
203-9	5970163001	Grease		1		20



204-1	5610388001	Hexalobular Socket Thread Forming Screw	Schraube	5	10	1
204-2	3708919001	Bearing Clamping Plate		1		10
204-3	5700252001	Ball Bearing		1		10
204-4	3708905001	Switch-plate		1		10
204-5	5640222001	Hexagon Flange Bolt	Sechskantschraube	1	10	1
204-6	3708904001	Supporting Structure		1		10
204-7	5630371001	Prevailing Torque Type Hexagon Lock Nut	wi Mutter	1	10	1

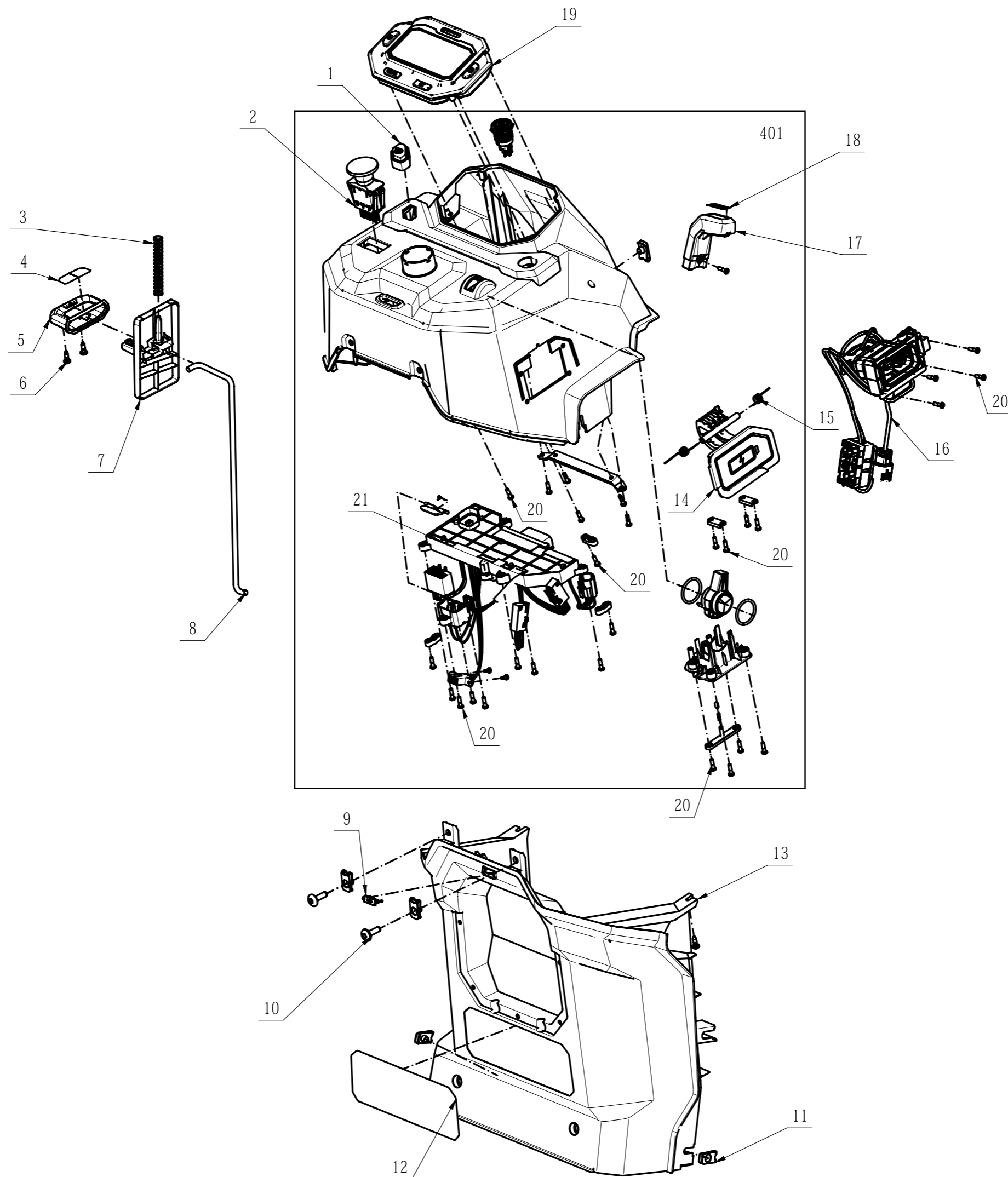


205-1	5640212002	Bolt		1	10	30
205-2	5640354001	Flange Bolt-Large Series	Flanschbolzen	3	10	30
205-3	3708923001	Deflecting Plate		1		30
205-4	3708916001	Connecting Plate		1		30
205-5	5630371001	Prevailing Torque Type Hexagon Lock Nut wi	Mutter	3	10	5
205-6	5650366001	Washer		1		15
205-7	5650288001	Wave washer		1		30
205-8	3580471001	Bushing		1		30
205-9	5630267001	Nut	Mutter	1	10	5
205-10	2850275001	Shaft Assembly		1		30
205-11	5650246001	Washer		2		20
205-12	5640357001	Semicircular Head Square Neck Bolt	Schlossschraube	2	10	10
205-13	3522133001	Support Base		1		30
205-14	5650305001	Wave Washer		1		30
205-15	5630244004	Nut	Mutter	2	10	10
205-16	3570388001	Spline Gear		1		5
205-17	5630070003	Nut	Nut	1	10	10
205-18	3580472001	Bushing		1		20

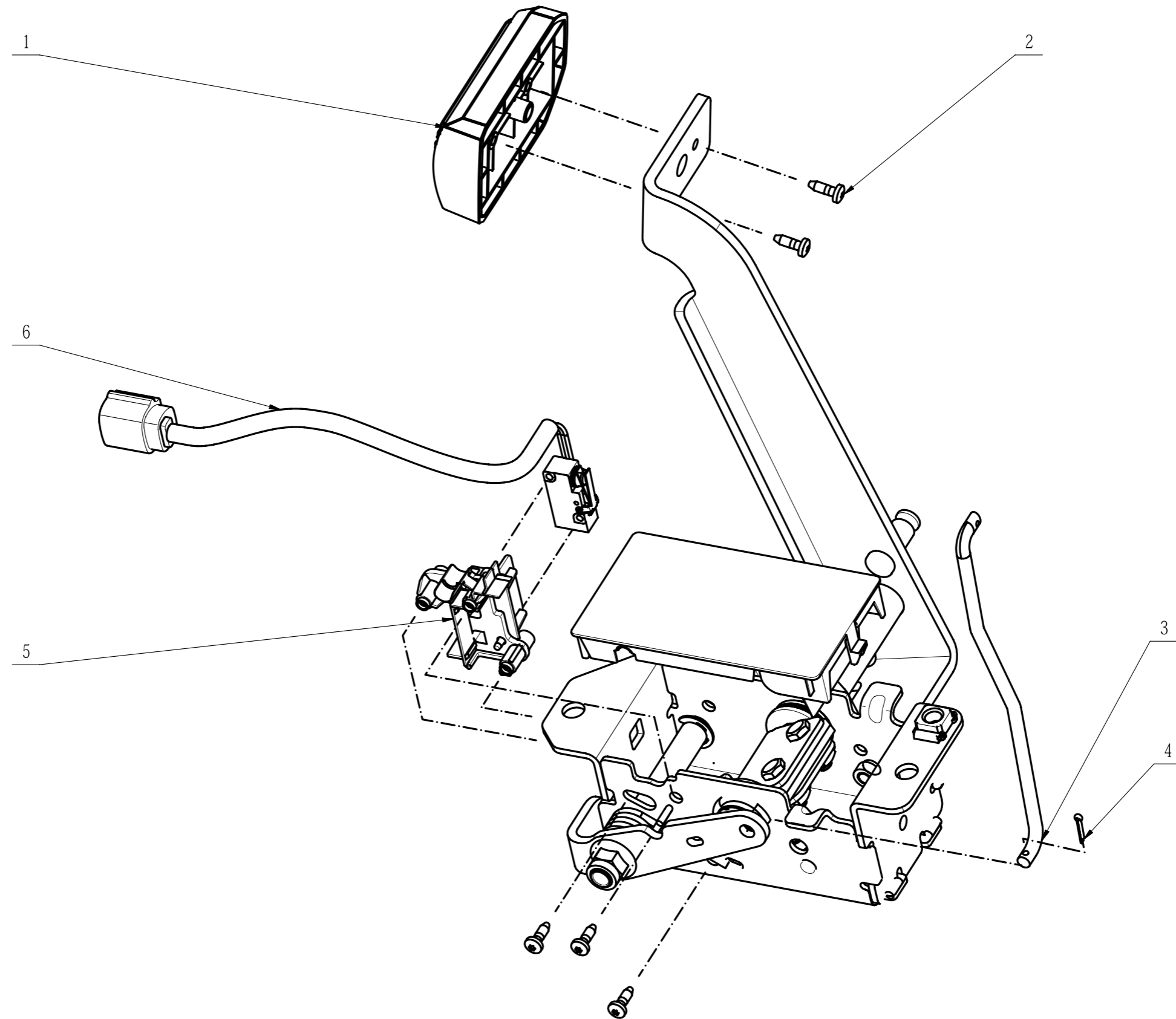


Product Description: Tractor
Model Number: TR4200E
Service Item Number: 2850220003S01
Version: A
Issue Date: 2023/11/10

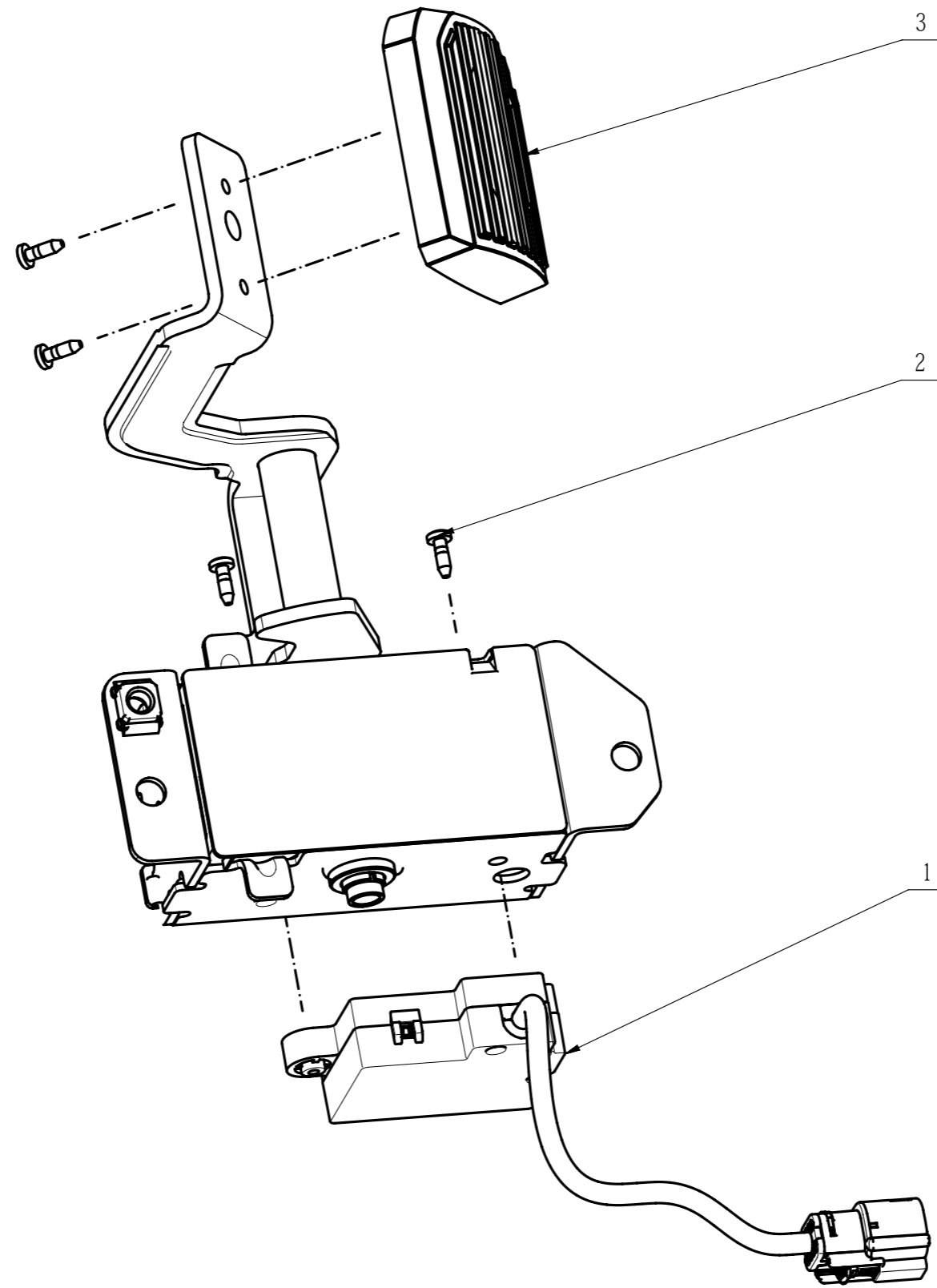
206 Manual Panel Assembly



206-1	3134190001	Cruise Button		1		8
206-2	4870762001	Push Switch	Schalter für Mähwerk	1	1	7
206-3	3667866001	Compression Spring		1		6
206-4	2246017001	Nameplate		1		2
206-5	3134137002	Push Plate		1		6
206-6	5620377003	Hexagon Socket Screw	Sechskantschraube	4	10	6
206-7	3134138001	Plunge Unit		1		6
206-8	3650312001	Pull Rod		1		6
206-9	3135120001	Rubber Plug		1		6
206-10	5611130001	Hexalobular Socket Tapping Screw		2		6
206-11	5630507001	Anti-stripping Clip		4		6
206-12	2246021002	Nameplate		1		2
206-13	3134186001	Support Base		1		10
206-14	3134179001	Charging Port Cover		1		7
206-15	3660810001	Torsion Spring	Drehfeder	2	10	7
206-16	2829750001	Charging Harness Assembly		1		7
206-17	3134192002	Handle		1		7
206-18	2246016001	Nameplate		1		2
206-19	2829495001	LCD Assembly		1		8
206-20	5610305001	Tapping Screw	Blechschaube S13.5x13	29	10	7
206-21	2831466001	Push Button Panel Electric Assembly		1		7
206-401	2851019001	Manual Panel Assembly		1		6



207-1	3134128001	Pedal		1		5
207-2	5620377003	Hexagon Socket Screw	Sechskantschraube	5	10	60
207-3	3650329001	Handspike		1		60
207-4	5670184002	Pin	Stift	1	1	60
207-5	3134130001	Switch Support		1		60
207-6	4870979001	Switch Assembly		1		60

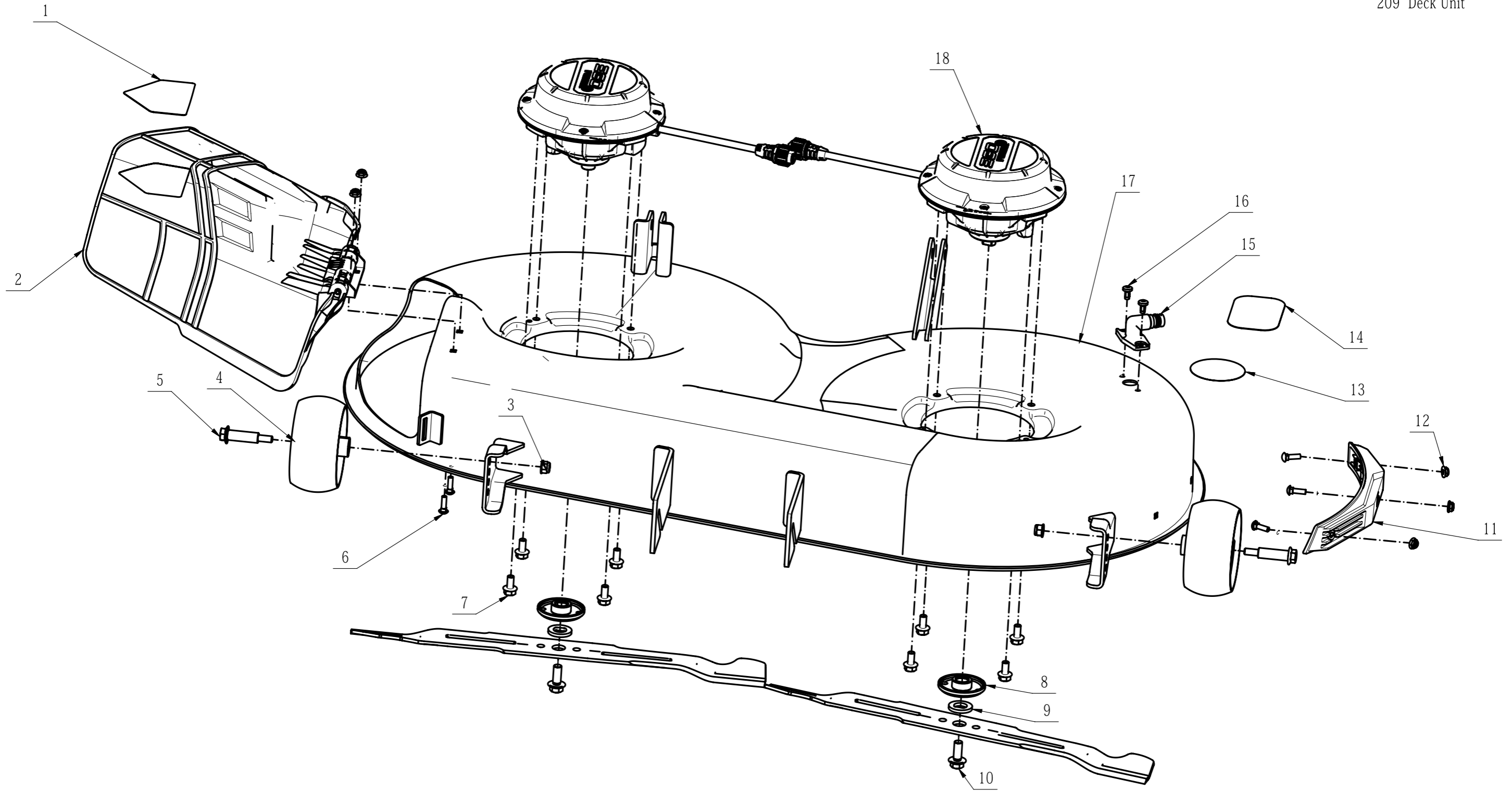


208-1	2831378001	Hall Electric Assembly		1		30
208-2	5620377003	Hexagon Socket Screw	Sechskantschraube	4	10	30
208-3	3134129001	Pedal		1		5



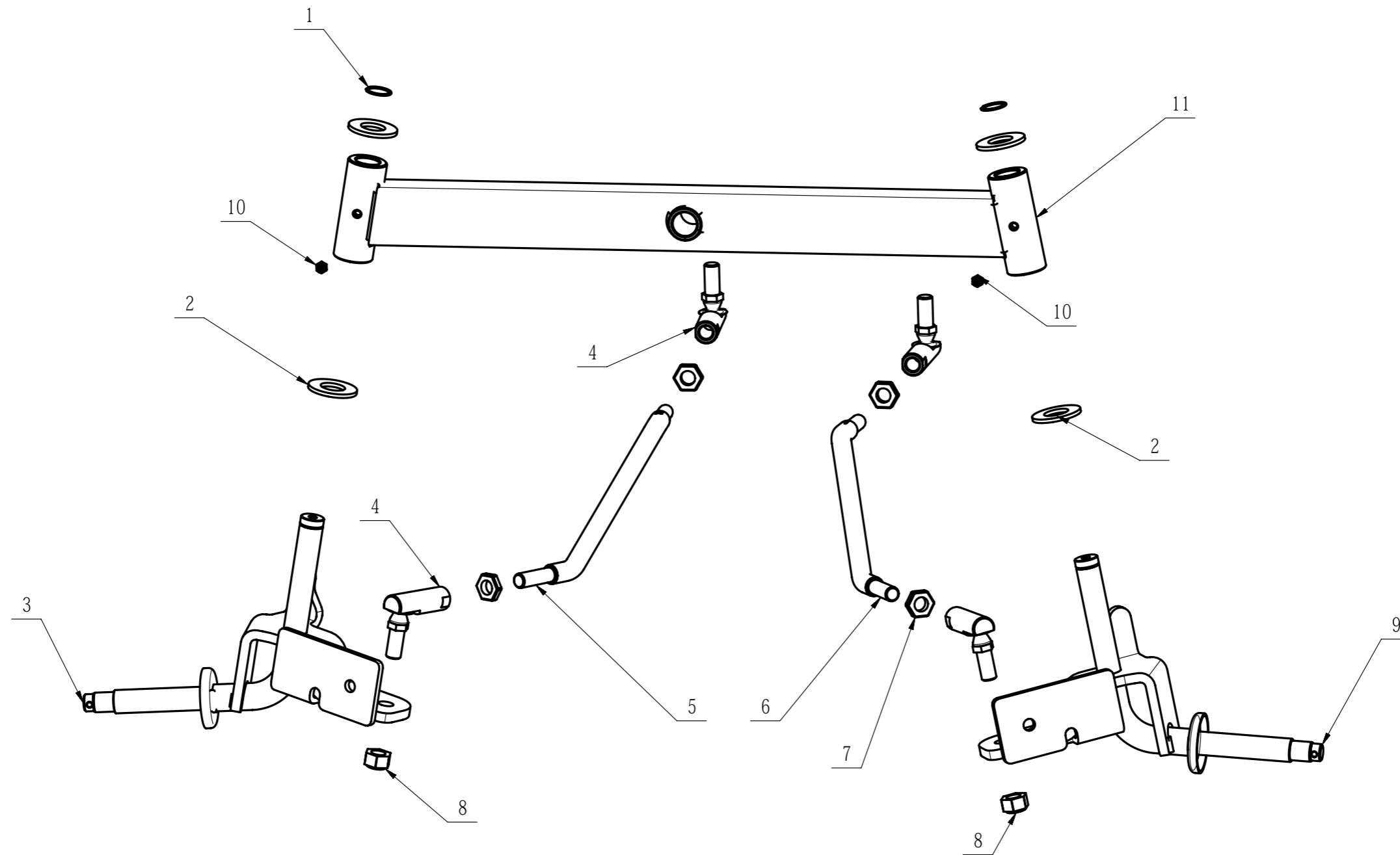
Product Description: Tractor
Model Number: TR4200E
Service Item Number: 2829017002S01
Version: A
Issue Date: 2023/11/10

209 Deck Unit

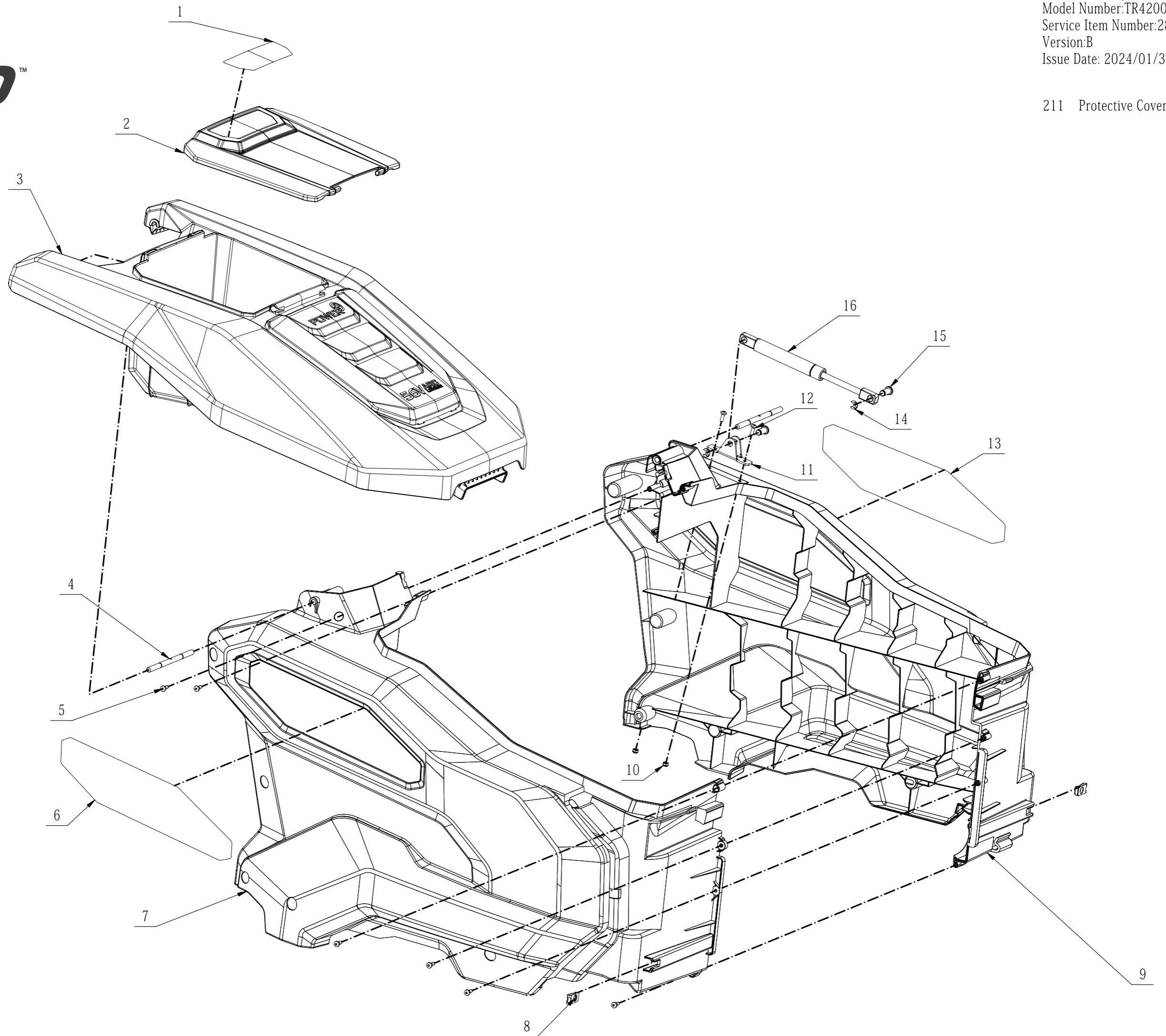


209-1	2243529016	Nameplate		1		1
209-2	2823670005	Chute Deflector Assembly		1		5
209-3	5640352001	Hexagon Flange Bolt	Sondersechskantschraube	2		10 1
209-4	3131072001	Roller Wheel	Anschlagsrolle	2		1 3
209-5	5640357001	Semicircular Head Square Neck Bolt	Schlossschraube	5		10 1
209-6	5640222001	Hexagon Flange Bolt	Sechskantschraube	8		10 1
209-7	5640226001	Flange Bolt	Befest.schraube Messer	2	50 - 60 Nm	10 15
209-8	5650510001	Washer	Scheibe	2		10 15
209-9	3580113001	Flange	Messerflansch	2		10 15
209-10	5630371001	Prevailing Torque Type Hexagon Lock Nut wi	Mutter	2		10 1
209-11	3131048001	Baffle Strip	Anschlagsschutz	1		1 6
209-12	5630244004	Nut	Mutter	5		10 1
209-13	2240127004	Label		1		1
209-14	2244796002	Nameplate		1		1
209-15	2823718001	Outlet Nozzle Assembly		1		20
209-16	5610388001	Hexalobular Socket Thread Forming Screw	Schraube	2		10 6
209-17	2829476003	Deck Unit		1		1
209-18	2730319001	DC Motor	Mähmotor	2		1 30

210 Front Axle



210-1	5660384001	Spiral Ring For Shaft	2	1
210-2	5650908001	Plain Washer	4	2
210-3	2829425001	Front Wheel Bracket Assembly	1	20
210-4	5700539001	Spherical Plain Bearings	4	20
210-5	3708922001	Right Drag Link	1	20
210-6	3708921001	Left Drag Link	1	10
210-7	5630520001	Hexagon Thin Nut	4	10
210-8	5630519001	Lock Nut	2	2
210-9	2829424001	Front Wheel Bracket Assembly	1	20
210-10	5640520001	Straight Hydraulic Grease Nipples	2	1
210-11	2829423001	Front Axle	1	30

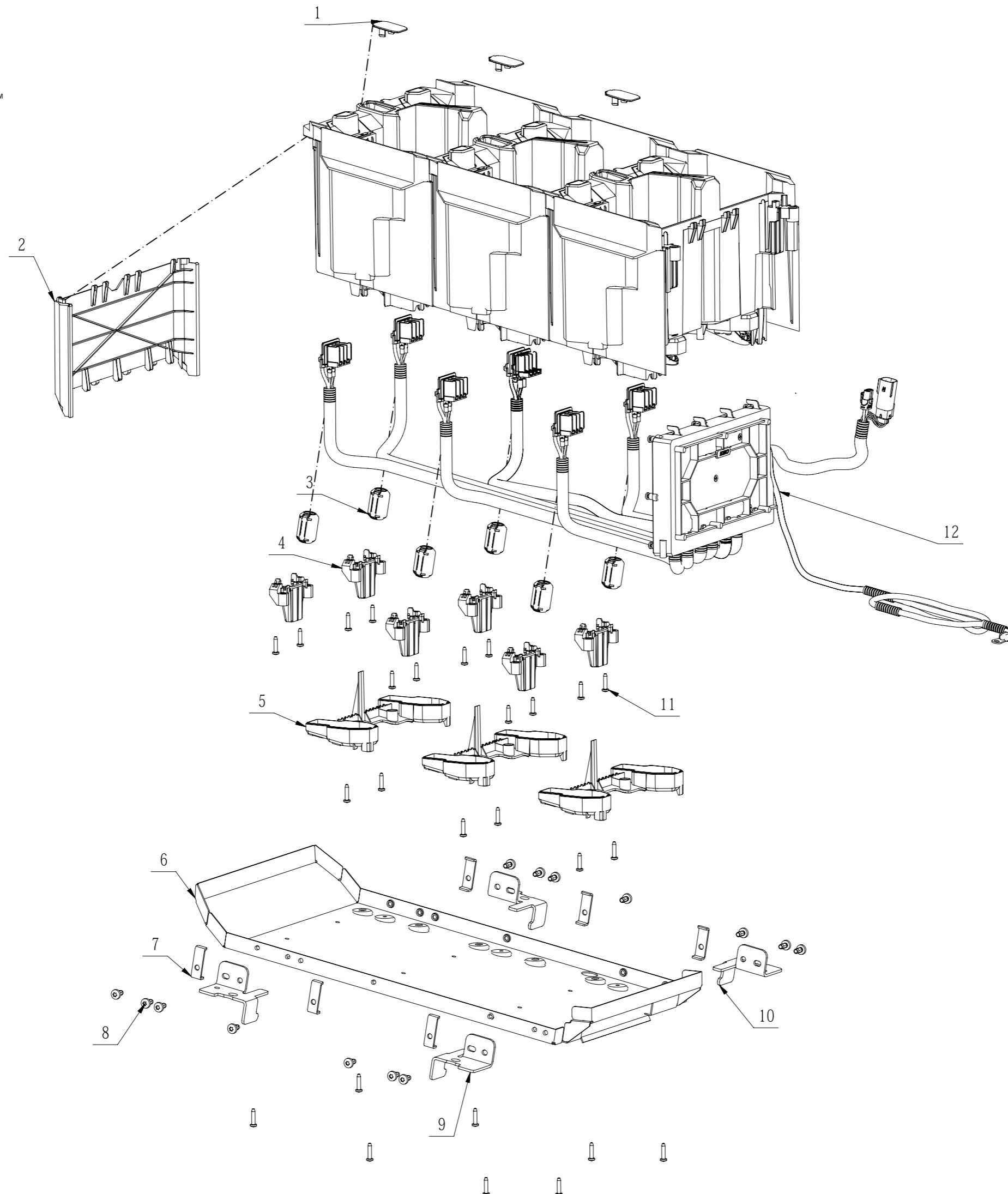


211-1	2246015001	Nameplate		1		1
211-2	3403493002	Lid Case		1		3
211-3	2850158002	Battery Box Cover Assembly		1		15
211-4	5670564001	Pin Shaft		2		1
211-5	5620377003	Hexagon Socket Screw	Sechskantschraube	6	10	3
211-6	2246020002	Nameplate		1		1
211-7	3134185002	Right Cover		1		10
211-8	5630507001	Anti-stripping Clip		2		5
211-9	3134178002	Left Cover		1		10
211-10	5630231001	Nut		2		3
211-11	3707349001	Support Base	Halter für Dämpfer	1	1	5
211-12	5620477003	Hexagon Lobular Screw		2		3
211-13	2246020001	Nameplate		1		1
211-14	5660305001	E Ring	E Ring	2	10	3
211-15	5670559001	Pin Shaft	Bolzen	2	10	5
211-16	3660805001	Gas Spring	Dämpfer	1	1	10



Product Description: Tractor
Model Number: TR4200E
Service Item Number: 2850682001S01
Version: A
Issue Date: 2023/11/09

213 Battery Box Assembly



213-1	3130965001	Cover		3		1
213-2	3130961001	Dust Cover		1		30
213-3	3680226001	Magnetic Block	Magnet	6	1	30
213-4	3131426001	Supporting Structure		6		35
213-5	3130969001	Cover Plate		3		30
213-6	3709240001	Big Base Plate		1		28
213-7	3707351001	Hook	Klammer	6	10	25
213-8	5610388001	Hexalobular Socket Thread Forming Screw	Schraube	14	10	20
213-9	3708880001	Battery Left Bracket		2		20
213-10	3708879001	Right Bracket for Battery		2		20
213-11	5620157006	Hexagon Socket Screw	Inbusschraube	42	10	35
213-12	2831480001	BMS Electric Assembly		1		40