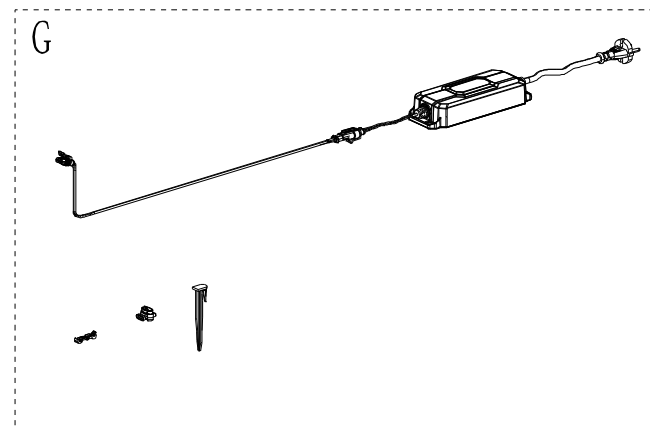
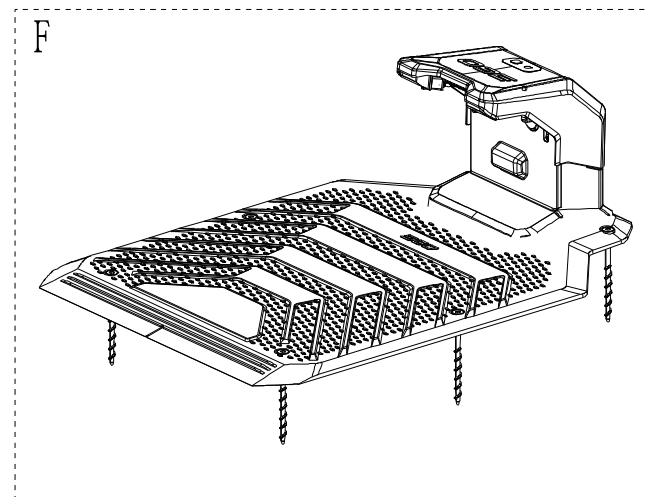
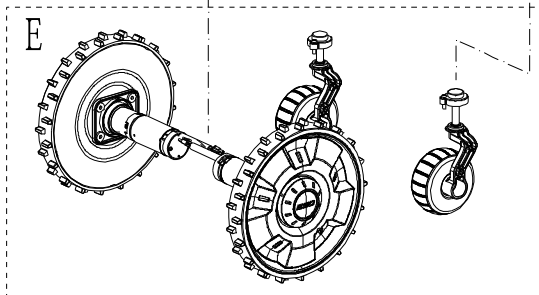
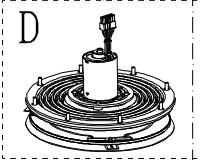
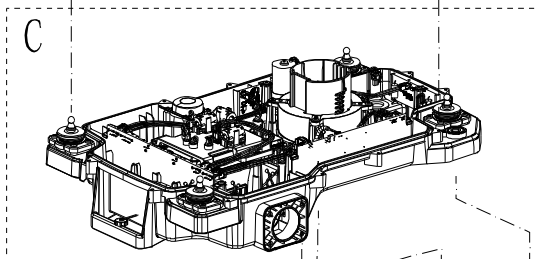
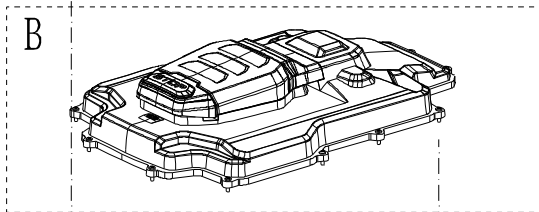
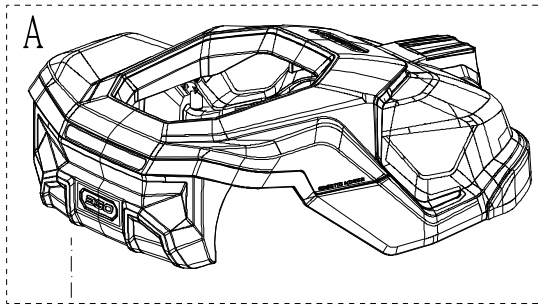
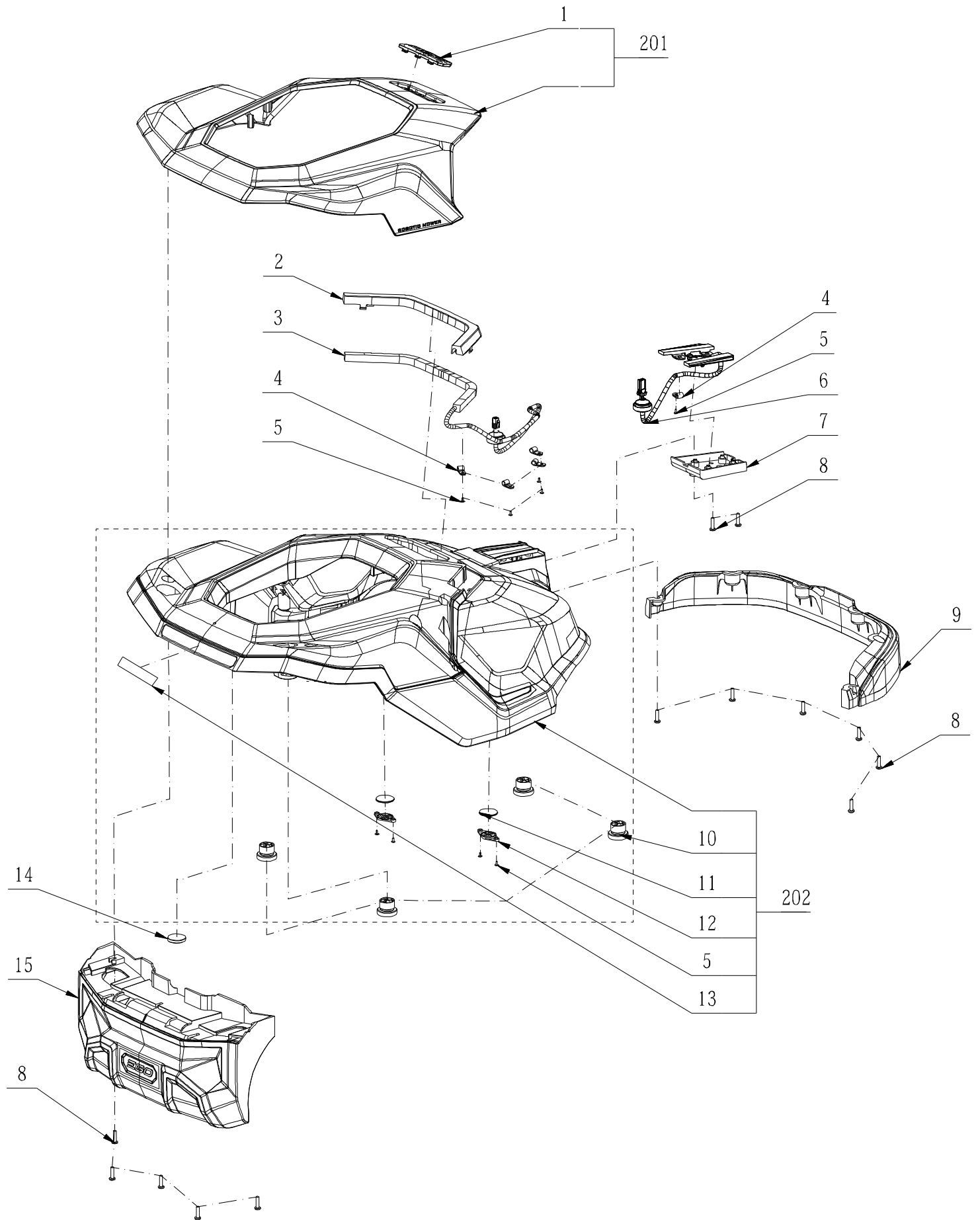




Product Description: 4000m² robotic mower
Model Number: RM4000E
Service Item Number: F510001001S01
Version: A
Issue Date: 2023/10/28

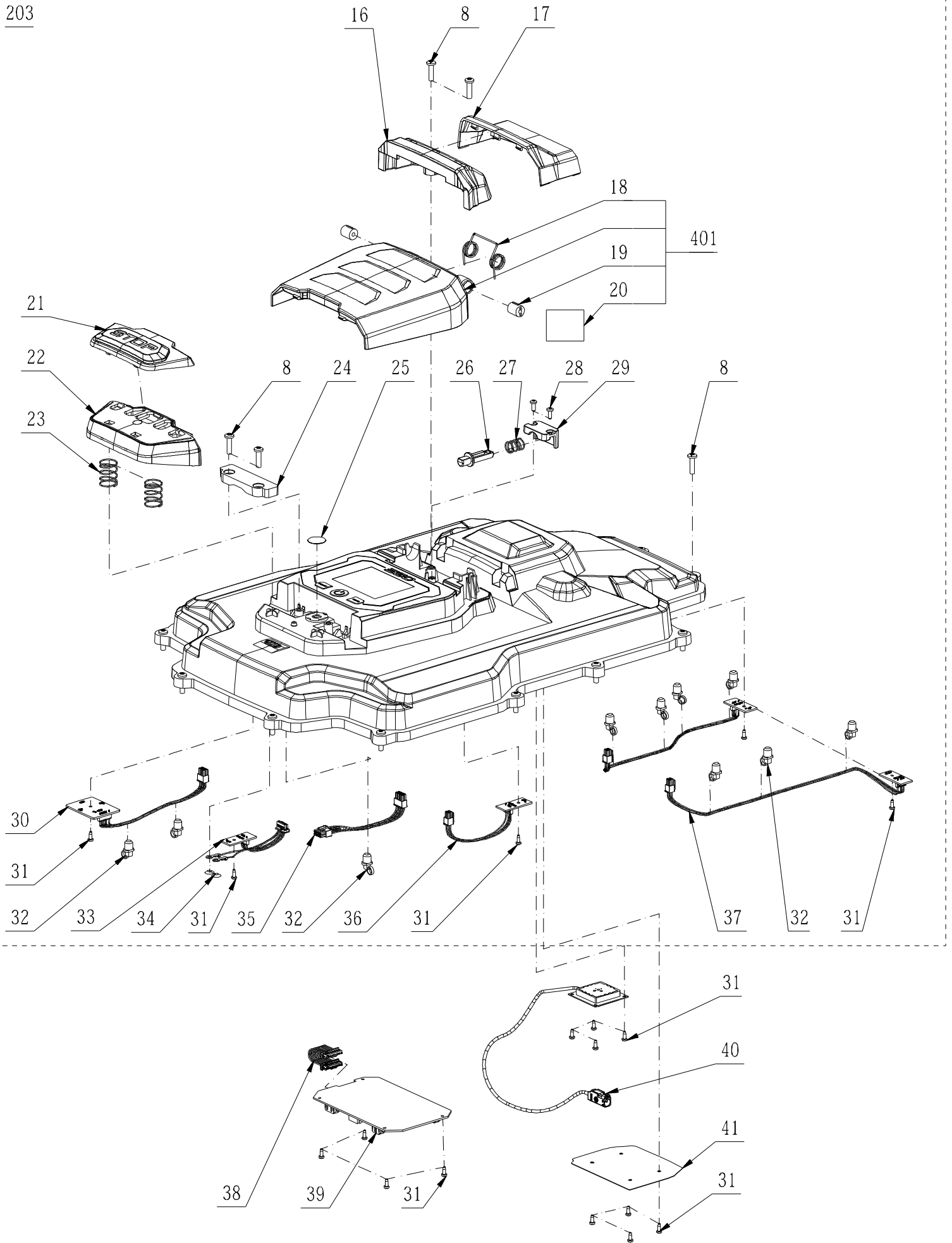


A RM4000E
Floating Cover

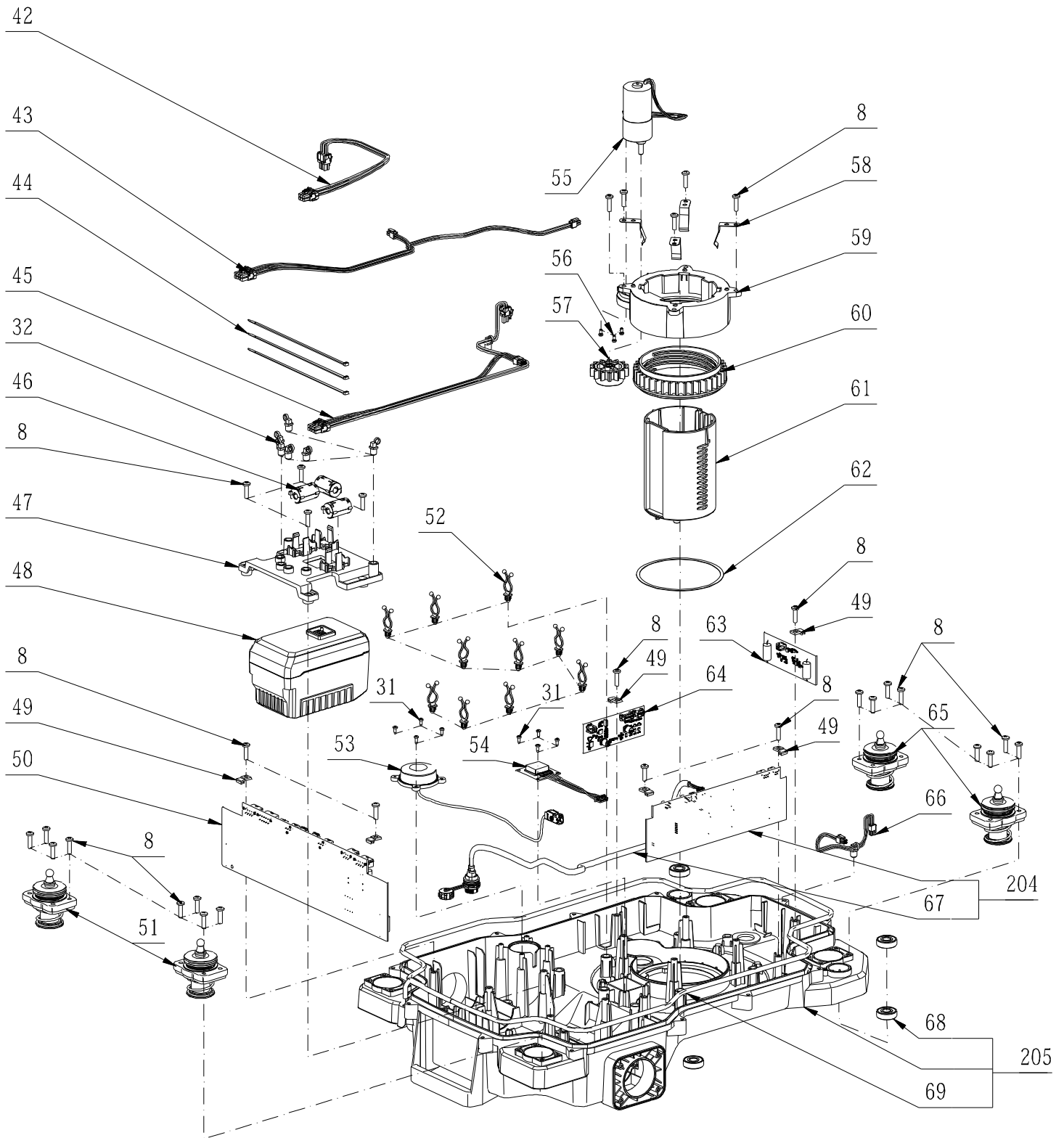


B RM4000E
Top Cover

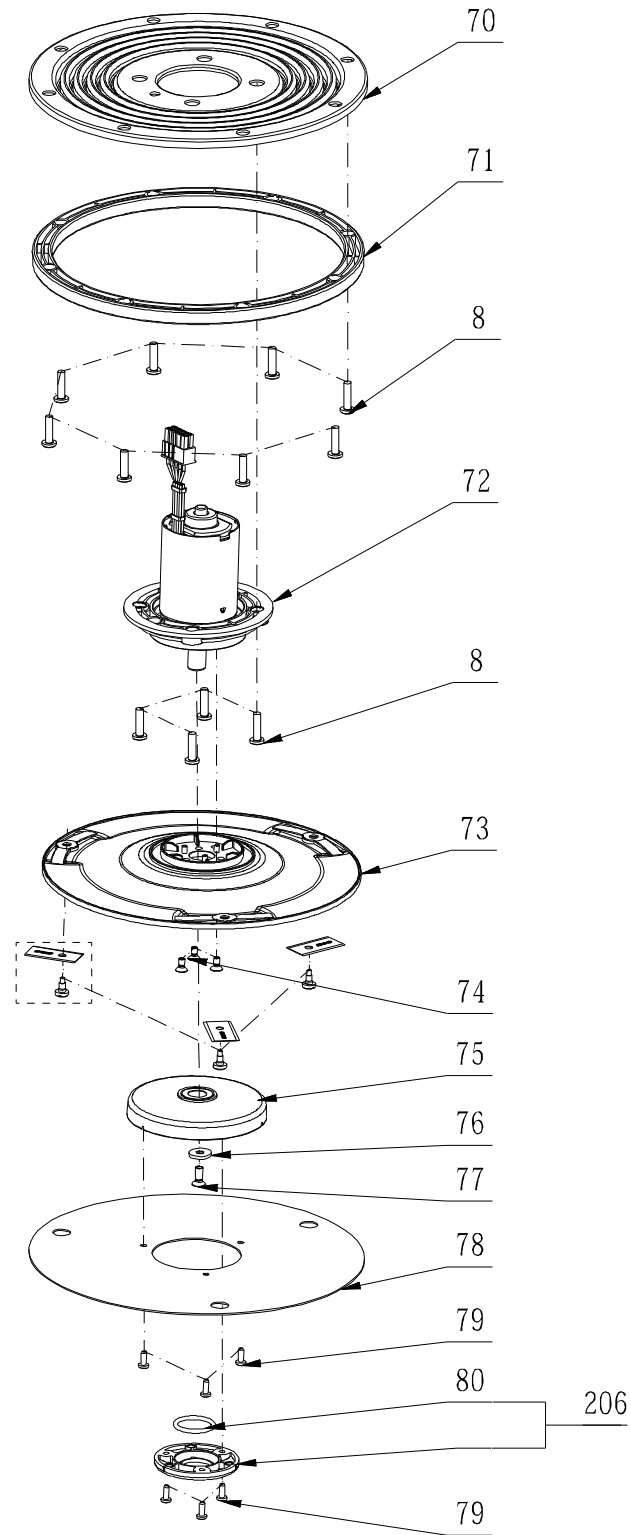
203



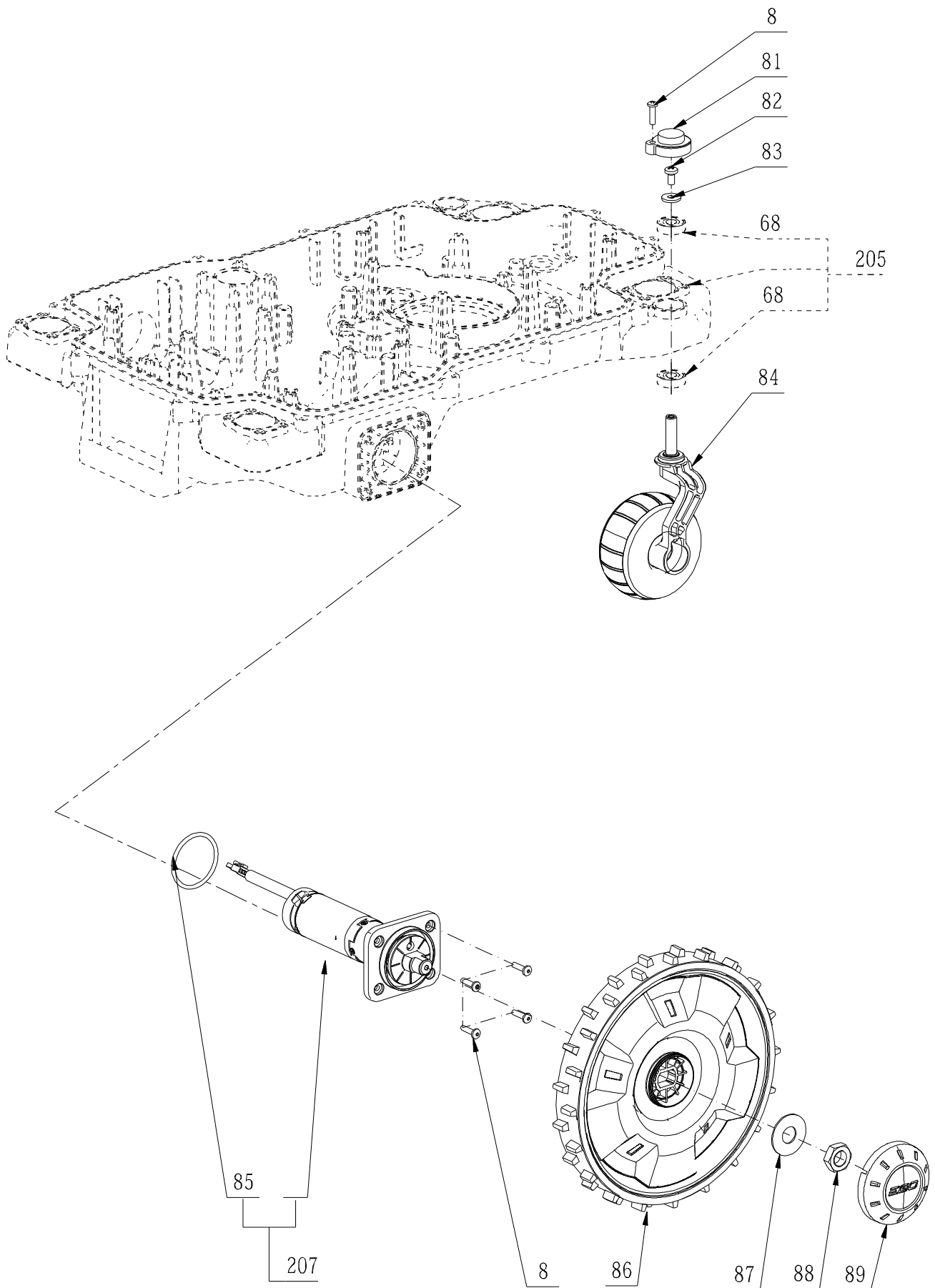
C RM4000E
Chassis



D RM4000E
The Cutting System

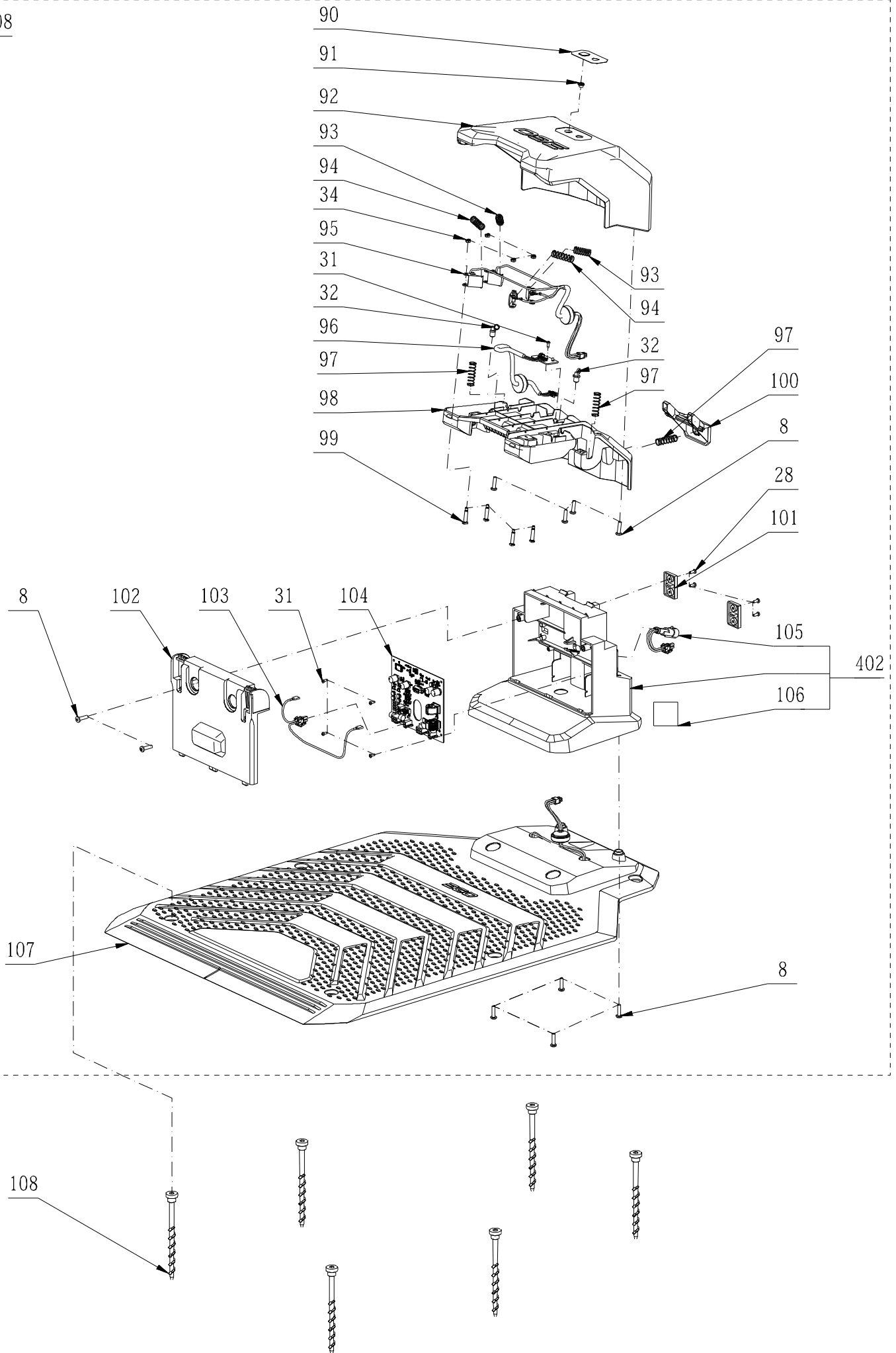


E RM4000E
Wheels & Drive System

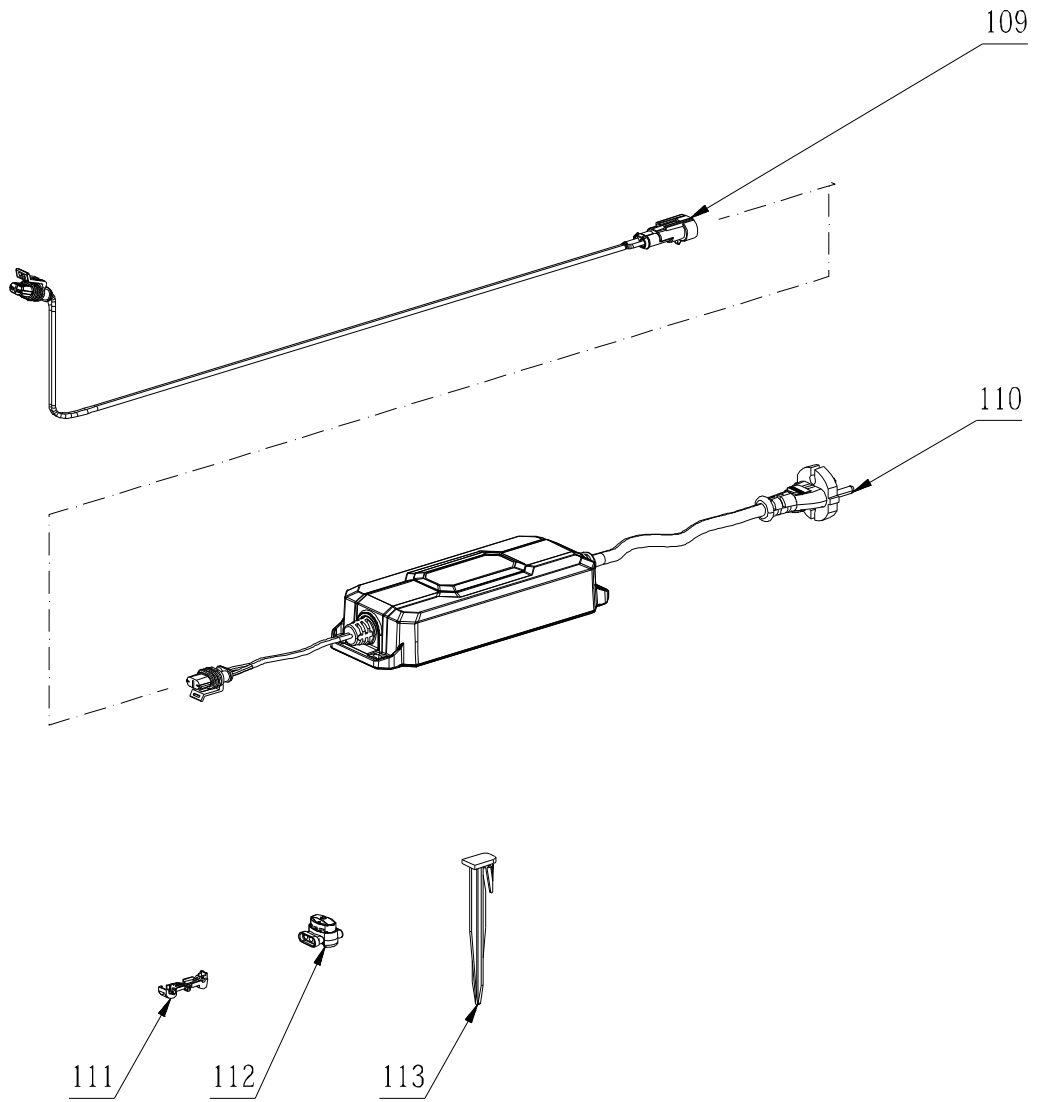


F RM4000E
Robotic mower docking station

208



G RM4000E
Accessory





BILL OF MATERIALS
RM4000E Robot Mower

TI	Related Parts	Topic							
Index No.	Art. No.	Beschreibung EN	Beschreibung DE	TIs	Supersession	QTY in machine	Torque (Nm)	MPQ	Repair Time (min)
1	3321927001	EGO Logo	EGO Logo			1		1	5
2	3134340001	Lamp Housing				1			12
3	4360322001	LED Assembly				1			15
4	3134535001	Wire Holder				5			5
5	5620176002	Screw With Washer	Schraube mit Unterlegscheibe			9		10	1
6	2829863001	Plug Assembly				1			10
7	3134304001	Fixing Board				1			5
8	5610291003	Tapping Screw	Blechschaube			98		10	1
9	3323499001	Front Cover				1			8
10	3134341001	Rubber Plug				4			5
11	3680356001	Magnetic Block				2			5
12	3134313001	Pressure Plate				2			5
13	2246058001	Nameplate				1			3
14	3680355001	Magnetic Block				1			10
15	3134284001	Rear Cover				1			10
16	3134310001	Fixed Support				1			5
17	3134309001	Fixed Upper Guard				1			5
18	3667876001	Double Torsion Spring				1			15
19	2829663001	Damper				2			15
20	2246057001	Nameplate				1			5
21	3323503001	Button				1			3
22	2850250001	Button Support Assembly				1			10
23	3667877001	Compression Spring				2			10
24	3134348001	Support Clamp Plate				1			10
25	3709022001	Waterproof Breathable Film				1			10
26	2850251001	Sliding Block Assembly				1			10
27	3667933001	Compression Spring				1			10
28	5610295001	Hexagon Socket Screw				6		1	10
29	3134347001	Guide Block				1			10
30	2831497001	Hall Electric Assembly				1			10
31	5610010007	Tapping Screw				30			5
32	2491142001	Nylon String				18			10
33	2831496001	Hall Electric Assembly				1			15
34	5630231001	Nut				6			12
35	4861225001	Wiring Harness				1			10
36	2831495001	Hall Electric Assembly				1			10
37	2831500001	Hall Electric Assembly				2			10
38	4861192001	Communication Wire Harness				1			15
39	2831515001	Control Electric Assembly				1			15
40	2831469001	Antenna Electric Assembly				1			15
41	3709038001	Baffle				1			10
42	4861223001	Wiring Harness				1			16
43	4861224001	Wiring Harness				1			16
44	2490023001	Bundle				3			16
45	4861222001	Wiring Harness				1			16
46	3680227001	Magnetic Block	Magnetelement			3		1	16
47	3134413001	Cover Plate				1			20
48	2850161002	Battery Assembly				1			30
49	3134412001	Pressure Plate				6			12
50	2831665001	BMS Electric Assembly				1			20
51	2850495001	Rear Support				2			10
52	3134697001	Wire Holder				10			12
53	2831509001	Antenna Electric Assembly				1			16
54	2831673001	Angle Measuring Electric Assembly				1			16
55	2790758001	Motor And Gear Case Assembly				1			20
56	5620722001	Cross Recessed Pan Head Screw				3			20
57	3570411001	Pinion				1			20
58	3667868001	Leaf Spring				4			12
59	3134406001	Gear Case				1			20
60	3570406001	Big Gear				1			30
61	3134339001	Housing				1			30
62	5651010001	Plain Washer				1			30
63	2831671001	Signal Acquisition Electric Assembly				1			16
64	2831672001	Control Electric Assembly				1			16
65	2850494001	Front Bracket				2			10
66	4861226001	Wiring Harness				1			16
67	4861313001	Wiring Harness				1			20

Index No.	Art. No.	Beschreibung EN	Beschreibung DE	Tls	Supersession	QTY in machine	Torque (Nm)	MPQ	Repair Time (min)
68	5700048004	Ball Bearing				4			10
69	5690618001	Seal Strip				1			15
70	5690592001	Sealing Gasket				1			16
71	3134417001	Seal Ring Clamping Plate				1			16
72	2850499001	Motor Assembly				1			15
73	3403471001	Tool Pan				1			8
74	5620067010	Screw	Schraube			3		10	8
75	2850501001	Bearing Support Assembly				1			6
76	5650047001	Plain Washer				1			4
77	5620074009	Screw				1		10	4
78	3709002001	Clapboard				1			2
79	5610295002	Hexagon Socket Screw				6			2
80	5690011003	O Ring				1			5
81	3134415001	Upper Dust Cover				2			5
82	5620049004	Screw				2			5
83	5650487001	Plain Washer	Scheibe			2		10	5
84	2850496001	Front Wheel Assembly				2			10
85	5690193002	O Ring				1			20
86	2850497001	Rear Wheel Assembly				2			5
87	5651056001	Plain Washer				2			2
88	5630348001	Hex Nut				2			2
89	3134361001	Wheel Hub Cover				2			1
90	3709030001	Indicator Label				1			5
91	3134346001	Button Plate				1			5
92	3134333001	Decorative Cover				1			10
93	3667855001	Compression Spring				2			2
94	3668035001	Compression Spring				2			2
95	2850502001	Contact Assembly				1			20
96	2831611001	LED Electric Assembly				1			15
97	3660562001	Compression Spring	Druckfeder			3		10	2
98	3134334001	Support Plate				1			20
99	5670721001	Pin Shaft				4			12
100	3134379001	Button				1			10
101	3403476001	Connector				2			10
102	3134357001	Limit Plate				1			15
103	4861203001	Output Wiring Harness				1			5
104	2831699001	Charger Power Electric Assembly				1			6
105	4861202001	Charging Harness				1			10
106	2246070001	Nameplate				1			2
107	2850515001	Base Plate Assembly				1			10
108	5611031001	Thread Forming Screw				6			2
109	4810423001	Adapter Extended Harness				1			2
110	2850634001	Power Adapter (UK)				1			2
110	2850633003	Power Adapter (EU)				1			2
111	2850605001	Connector				1			3
112	2850606001	Connector				1			10
113	3135500001	Ground Nail				1			3
201	2850328001	Decorative Cover Assembly				1			10
202	2850517001	Floating Cover Assembly				1			20
203	2850562001	Top Cover Assembly				1			20
204	2831910001	Control Electric Assembly				1			20
205	2850516001	Housing Assembly				1			60
206	2850500001	Seal Cover Assembly				1			5
207	2850498001	Drive Axle Assembly				2			20
208	2829877002	Charging Station				1			10
401	2850503001	Protective Cover Set				1			15
402	2850514001	Base Assembly				1			25