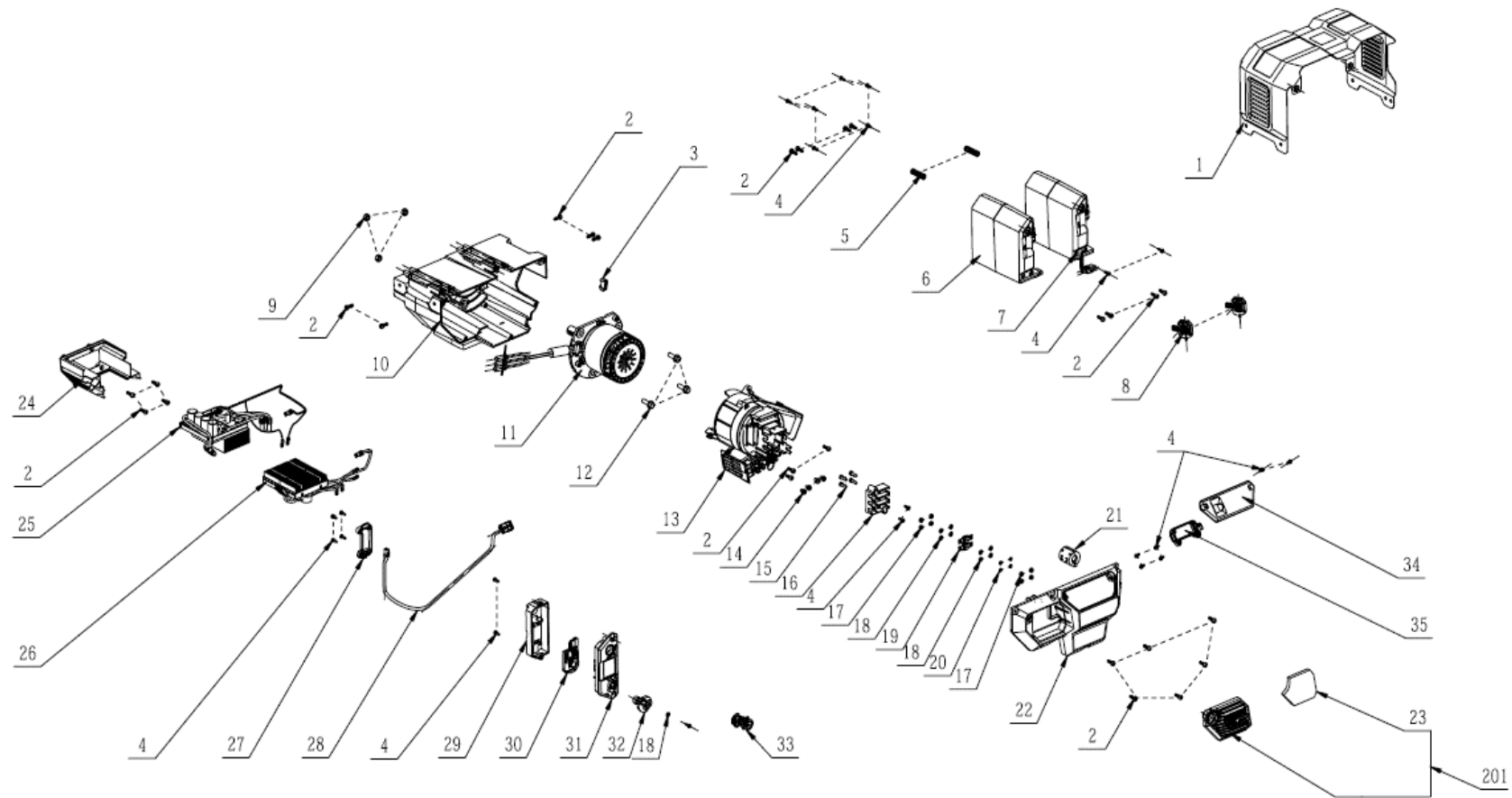




Product Description: Power Unit
Model Number: PU2710RC
Service Item Number: FF10014001S01
Version: A
Issue Date: 2024/02/28





Repair Parts_Power Unit_PU2710RC

Index No.	Art. No.	Description	QTY in machine	Weight (g)	MPQ	Repairable or Not?	Standard Repair Time (min.)
1	3709063002	Battery Box Cover	1	1080	1	Yes	3
2	5610336002	Tapping Screw	26	4	10	Yes	4
3	3132568001	Rubber Block	1	2	10	Yes	2
4	5620377003	Hexagon Socket Screw	23	2	10	Yes	2
5	3660979001	Compression Spring	2	61.5	10	Yes	5
6	2850717001	Stand Column Assembly	1	300	1	Yes	7
7	2850717002	Stand Column Assembly	1	300.01	1	Yes	7
8	2850234001	Key Set	2	26	1	Yes	1
9	5630271001	Nut	3	7	10	Yes	25
10	3423545001	Base	1	3167	1	Yes	35
11	2730410001	DC Motor	1	3450	1	Yes	25
12	5640354001	Flange Bolt-Large Series	3	20	10	Yes	25
13	2850253001	Fan Baffle Set	1	400	1	Yes	20
14	5611128001	Screw and Washer Assembly	4	5	10	Yes	5
15	5640004001	Hexagon Head Bolt	4	4	10	Yes	3
16	3132381001	Fuse Bottom Support	1	23	1	Yes	8
17	5630003003	Hexagon Nut	8	1.4	10	Yes	10
18	5650013001	Plain Washer	9	1.8	10	Yes	5
19	4970355001	Fuse	2	6.7	10	Yes	5
20	5650015003	Spring Washer	4	0.5	10	Yes	5
21	3680388001	Magnet Ring	1	100	1	Yes	8
22	3134783003	Front Cover	1	211	1	Yes	3
24	3134786001	PCB Holder	1	101	1	Yes	10
25	2831750001	Main Electric Assembly	1	612	1	Yes	15
26	2831749001	BMS Electric Assembly	1	567	1	Yes	15
27	3135762001	Cord Anchorage	1	13	1	Yes	3
28	4861370001	Communication Wire Harness	1	150	10	Yes	5
29	3134791001	Bottom Switch Box Cover	1	37	1	Yes	3
30	2831980001	Bluetooth Electric Assembly	1	30	1	Yes	5
31	2831748001	Switch Electric Assembly	1	150	1	Yes	5
32	2851163001	Adjusting Lever Assembly	1	10	1	Yes	1
33	4871007001	Switch Lock	1	50	1	Yes	3
34	3134789001	Cover Plate	1	45	1	Yes	3
35	3134788001	Cord Anchorage	1	10	1	Yes	2
201	2850265001	Decorative Cover Assembly	1	65	1	Yes	1
23	3709110001	Side Sponge	1	1	1	Yes	1