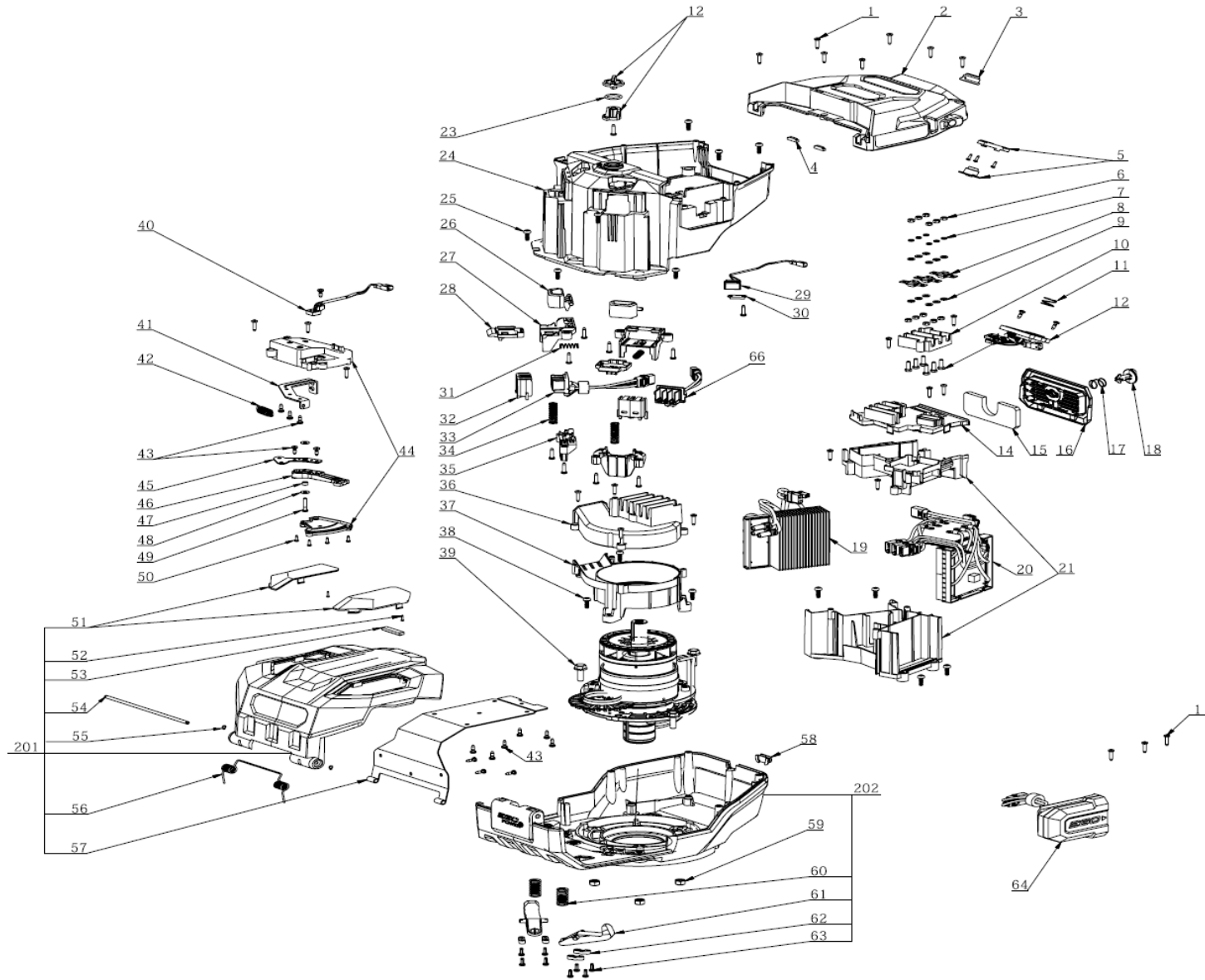




Product Description: Power Unit
Model Number: PU2700S
Body Number: 0760115002_S
Version: A
Issue Date: 2021/12/24





Repair Parts_Power unit_4916(PU2700S)

Index No.	Art. No.	Description	QTY in machine	Weight (g)	MPQ	Repairable or Not?	Standard Repair Time (min.)
1	5620157006	Hexalobular Socket Pan Head Screw	33	2.8	10	Y	1
2	3403328001	Top Cover	1	398	1	Y	5
3	3128331001	Sheath	1	4	1	Y	5
4	3680089001	Magnetic Block	2	3.3	10	Y	5
5	3900474001	Light Guide Pole	1	7	1	Y	5
6	5630003003	Hexagon Nut	12	1.4	10	Y	3
7	5650015003	Spring Washer	6	0.5	10	Y	3
8	4970355001	Fuse	3	1.5	10	Y	3
9	5650013001	Plain Washer	3	0.5	10	Y	3
10	3132381001	Fuse Bottom Support	1	23	1	Y	3
11	3660985001	Compression Spring	1	1	1	Y	3
12	2831000002	Switch Electric Assembly	1	39	1	Y	3
13	5640004001	Hexagon Head Bolt	6	4	10	Y	3
14	3131670001	Air Duct Cover Plate	1	65	1	Y	3
15	3704930001	Side Sponge	1	1	1	Y	1
16	3131661001	Decorative Cover	1	45	1	Y	1
17	3660986001	Compression Spring	1	1	1	Y	1
18	3132432001	Located Knob	1	5.7	1	Y	1
19	2831001002	Main Electric Assembly	1	612	1	Y	10
20	2831002002	BMS Electric Assembly	1	567	1	Y	10
21	3900476001	Support Assembly	1	315	1	Y	10
22	3900472001	Knob Assembly	1	8	1	Y	5
23	3123112001	O Ring	1	0.5	10	Y	5
24	3403329001	Battery Box	1	680	1	Y	10
25	5610336002	Tapping Screw	14	4	10	Y	5
26	3126760001	Release Button	2	20	1	Y	5
27	3131425001	Support Base	2	16.3	1	Y	5
28	3126772001	Sliding Block	2	8.6	1	Y	5
29	4870852001	Switch Assembly	1	10	1	Y	5
30	3700367001	Cord Anchorage	1	3	1	Y	5
31	3660303002	Spring	2	0.5	10	Y	5
32	3131427001	Sliding Block	2	10.4	1	Y	5
33	4860957002	Connecting Base Wiring Harness	1	65.5	1	Y	5
34	3660818001	Compression Spring	2	3.3	10	Y	5
35	3131426001	Supporting Structure	2	16.5	1	Y	5
36	3131673001	Wind Scooper Cover	1	138	1	Y	10
37	3131672001	Fan Baffle	1	132	1	Y	10
38	2730226001	DC Motor	1	3614	1	Y	15
39	5640354001	Flange Bolt-Large Series	3	20	10	Y	10
40	2831003001	Hall Electric Assembly	1	39	1	Y	10
41	3708178001	Fixing Board	1	52	1	Y	10
42	3660671001	Tension Spring	1	8	1	Y	10
43	5620377003	Hexagon Socket Screw	17	2	10	Y	10
44	3900475001	Switch Box Assembly	1	80	1	Y	10
45	3708179001	Switch Lever	1	16	10	Y	10
46	2828446001	Switch Lever Assembly	1	10	1	Y	10
47	5650493001	Bush	1	1	1	Y	5

Index No.	Art. No.	Description	QTY in machine	Weight (g)	MPQ	Repairable or Not?	Standard Repair Time (min.)
48	5650004001	Plain Washer	2	1	10	Y	5
49	5620480001	Screw	1	2	10	Y	5
50	5610017001	Tapping Screw	7	1	10	Y	5
51	3900471001	Transparent Guard Assembly	1	33	1	Y	3
52	5610001005	Tapping Screw	2	1	10	Y	1
53	3132443001	Rubber Block	1	1	10	Y	3
54	5670410001	Pin Shaft	1	27	10	Y	5
55	5660004004	Circlips For Shaft	2	1	10	Y	1
56	3660661001	Torsion Spring	1	20	1	Y	5
57	3708180001	Upper Scaleboard	1	366	1	Y	3
58	3132568001	Rubber Block	1	2	10	Y	10
59	5630271001	Nut	3	7	10	Y	10
60	3660722001	Compression Spring	2	3	1	Y	3
61	3126773001	Lever	2	20	1	Y	3
62	3122798001	Cord Anchorage	4	1	1	Y	3
63	5610237001	Tapping Screw	8	1	10	Y	1
64	2828424001	Plug Assembly	1	212	1	Y	5
66	4860957001	Connecting Base Wiring Harness	1	65.5	1	Y	5
201	2828427001	Battery Box Cover ASSY	1	880	1	Y	5
202	2824209001	Base ASSY	1	2670	1	Y	15