

TECNICO • TECHNICAL	●	GRUPPO • GROUP	12
RICAMBI • SPARE PARTS	●	NR • NO	009
INFORMAZIONI • INFORMATION		DATA • DATE	05-14

GENERALE - RICAMBI - GARANZIA General - Spares - Warranty	-1-	ACCESSORI Accessories	-2-	PRODOTTI DI COMPLEMENTO Other products	-6-	MOTOZAPPE Rotary tillers	-9-
TRINCIASARMENTI Flail mowers	-10-	TRANSPORTER	-11-	MOTOCOLTIVATORI Rotary cultivators	-12- ●		

I
MODELLI: Motocoltivatori 410 - 411
OGGETTO: Selettore marce e leva
DESCRIZIONE: Per migliorare l'inserimento delle marce è stato sostituito il selettore e relative leve.

INTERCAMBIABILITÀ: No

DISPONIBILITÀ RICAMBI: Selettore e leva premodifica continuano ad essere forniti mentre i gruppi cambio verranno forniti ad esaurimento.

DECORRENZA: 14/12/13, matr.B053499349

NOTE: Nei nuovi gruppi cambio cod.68322132R / 68322133R non è compreso il kit selettore leva cod.68320209

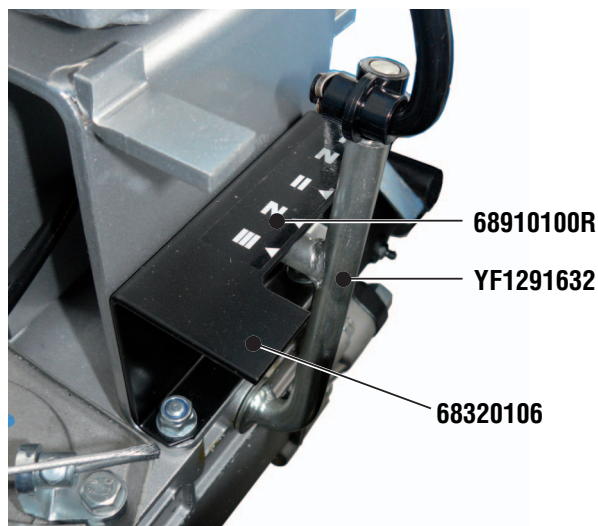
GB
MODELS: 410 - 411 Rotary cultivators
SUBJECT: Gear selector switch and lever
DESCRIPTION: To improve the gear engagement we have replaced the selector switch and related levers.

INTERCHANGEABILITY: No

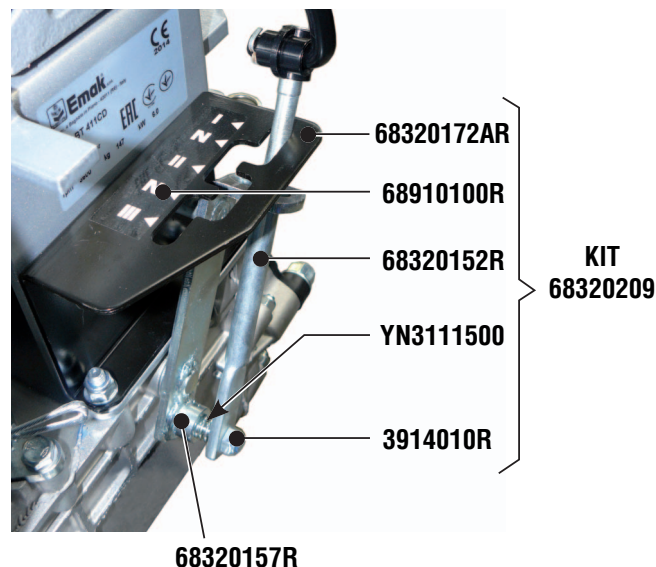
PARTS AVAILABILITY: Selector switch and lever premodified continue to be available to spare while the gear box assemblies will be supplied until end of the stock.

CUT-IN DATE: 14/12/13, serial n° B053499349

NOTES: On the new gear box assembly p/n 68322132R / 68322133R is not included the selector switch and lever kit p/n 68320209

PREMODIFICA - OLD ASSY


(Mod.410) Gruppo cambio /Gear box assy **P/N 68322057**
 (Mod.411) Gruppo cambio /Gear box assy **P/N 68322055R**

POSTMODIFICA - NEW ASSY


(Mod.410) Gruppo cambio /Gear box assy **P/N 68322133R**
 (Mod.411) Gruppo cambio /Gear box assy **P/N 68322132R**

TECNICO • TECHNICAL	●	GRUPPO • GROUP	12
RICAMBI • SPARE PARTS	●	NR • NO	009
INFORMAZIONI • INFORMATION		DATA • DATE	05-14

GENERALE - RICAMBI - GARANZIA General - Spares - Warranty	-1-	ACCESSORI Accessories	-2-	PRODOTTI DI COMPLEMENTO Other products	-6-	MOTOZAPPE Rotary tillers	-9-
TRINCIASARMENTI Flail mowers	-10-	TRANSPORTER	-11-	MOTOCOLTIVATORI Rotary cultivators	-12- ●		

D **MODELLE: 410 - 411 Einachser**
BETREFF: Schaltung

BESCHREIBUNG: Zur Produktverbesserung wurde eine neue Schaltkulisse und Schalthebel eingeführt

AUSTAUSCHBARKEIT: Nein

VERFÜGBARKEIT DER ERSATZTEILE: Die alte Ausführung Hebel und Kulisse sind weiterhin auf dem Ersatzteilweg verfügbar. Das komplette Getriebe bis Aufbrauch.

BEGINN: 14/12/13, S/N B053499349

HINWEIS: Bei den kompletten Getrieben ET-Nr. 68322132R/68322133R sind die Schaltkulisse und Schalthebel Kit ET-Nr. 68320209 nicht enthalten.

GB **MODELS: 410 - 411 Rotary cultivators**
SUBJECT: Gear selector switch and lever

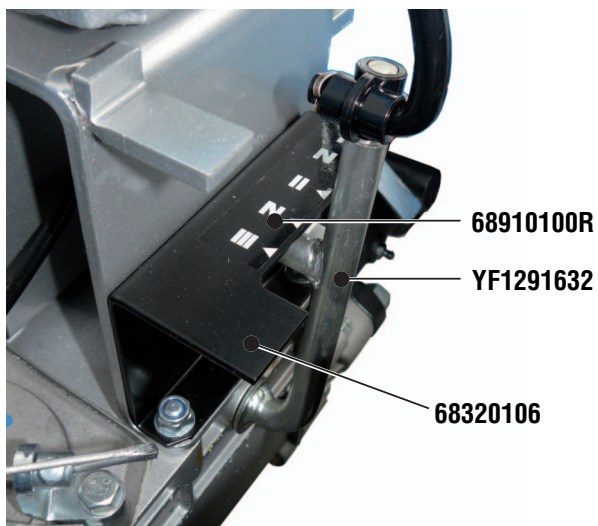
DESCRIPTION: To improve the gear engagement we have replaced the selector switch and related levers.

INTERCHANGEABILITY: No

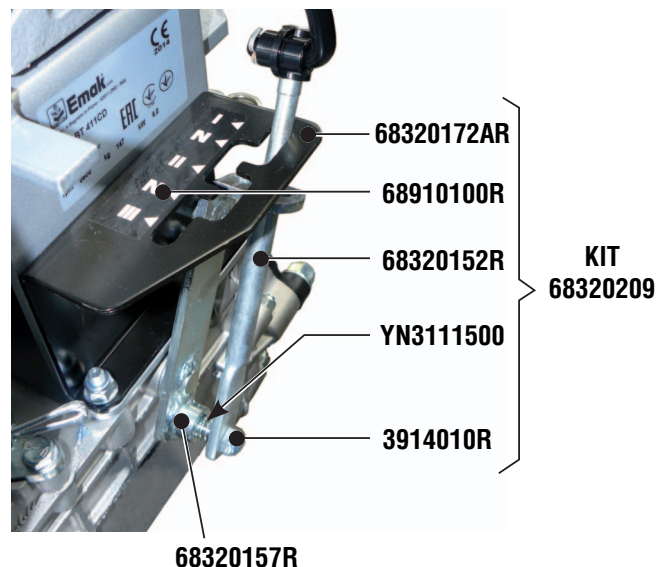
PARTS AVAILABILITY: Selector switch and lever premodified continue to be available to spare while the gear box assemblies will be supplied until end of the stock.

CUT-IN DATE: 14/12/13, serial n° B053499349

NOTES: On the new gear box assembly p/n 68322132R / 68322133R is not included the selector switch and lever kit p/n 68320209

PREMODIFICA - OLD ASSY


(Mod.410) Gruppo cambio /Gear box assy **P/N 68322057**
 (Mod.411) Gruppo cambio /Gear box assy **P/N 68322055R**

POSTMODIFICA - NEW ASSY


(Mod.410) Gruppo cambio /Gear box assy **P/N 68322133R**
 (Mod.411) Gruppo cambio /Gear box assy **P/N 68322132R**

TECNICO • TECHNICAL	●	GRUPPO • GROUP	12
RICAMBI • SPARE PARTS	●	NR • NO	009
INFORMAZIONI • INFORMATION		DATA • DATE	05-14

GENERALE - RICAMBI - GARANZIA General - Spares - Warranty	-1-	ACCESSORI Accessories	-2-	PRODOTTI DI COMPLEMENTO Other products	-6-	MOTOTAPPE Rotary tillers	-9-
TRINCIASARMENTI Flail mowers	-10-	TRANSPORTER	-11-	MOTOCOLTIVATORI Rotary cultivators	-12- ●		

E **MODELOS: Motocultor 410 - 411**
ASUNTO: Selector marchas y palanca

DESCRIPCIÓN: Para mejorar la inserción de las marchas a sido mejorado el selector y la palanca de marchas.

INTERCAMBIABILIDAD: No

DISPONIBILIDAD RECAMBIO: El selector y la palanca antiguos seguirán estando disponibles en recambio, el cambio completo antiguo sera obsoleto.

VALIDEZ: 14/12/13, matr.B053499349

NOTAS: El nuevo grupo de cambio cod.68322132R / 68322133R no incluye el nuevo selector y palanca cod.68320209

GB **MODELS: 410 - 411 Rotary cultivators**
SUBJECT: Gear selector switch and lever

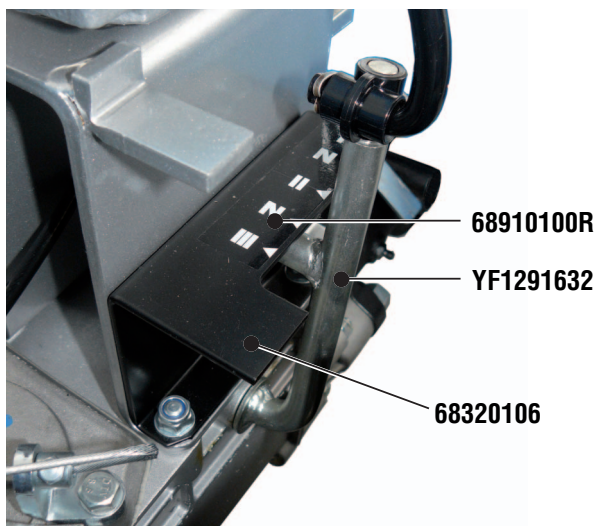
DESCRIPTION: To improve the gear engagement we have replaced the selector switch and related levers.

INTERCHANGEABILITY: No

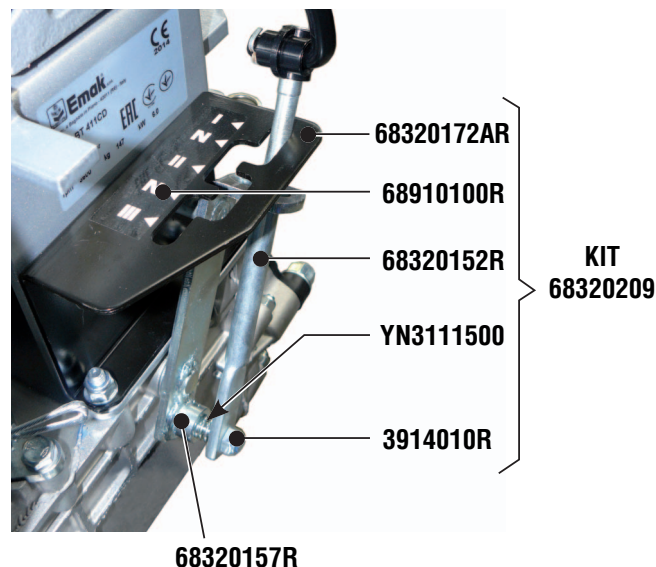
PARTS AVAILABILITY: Selector switch and lever premodified continue to be available to spare while the gear box assemblies will be supplied until end of the stock.

CUT-IN DATE: 14/12/13, serial n° B053499349

NOTES: On the new gear box assembly p/n 68322132R / 68322133R is not included the selector switch and lever kit p/n 68320209

PREMODIFICA - OLD ASSY


(Mod.410) Gruppo cambio /Gear box assy **P/N 68322057**
 (Mod.411) Gruppo cambio /Gear box assy **P/N 68322055R**

POSTMODIFICA - NEW ASSY


(Mod.410) Gruppo cambio /Gear box assy **P/N 68322133R**
 (Mod.411) Gruppo cambio /Gear box assy **P/N 68322132R**

TECNICO • TECHNICAL	●	GRUPPO • GROUP	12
RICAMBI • SPARE PARTS	●	NR • NO	009
INFORMAZIONI • INFORMATION		DATA • DATE	05-14

GENERALE - RICAMBI - GARANZIA General - Spares - Warranty	-1-	ACCESSORI Accessories	-2-	PRODOTTI DI COMPLEMENTO Other products	-6-	MOTOZAPPE Rotary tillers	-9-
TRINCIASARMENTI Flail mowers	-10-	TRANSPORTER	-11-	MOTOCOLTIVATORI Rotary cultivators	-12- ●		

F
MODÈLES: Motoculteurs 410 - 411
OBJET: Sélecteur de vitesse et levier
DESCRIPTION: Pour améliorer l'engagement des vitesses nous avons remplacé le sélecteur et le levier de commande.

INTERCHANGEABLE: Non

DISPONIBILITÉ PIÈCES DÉTACHÉES: commutateur sélecteur et levier préalablement modifiée continuent d'être disponibles en pièce de rechange tandis que les boîtes de vitesses seront fournis jusqu'à la fin du stock.

A PARTIR DE: 14/12/13, n° de série B053499349

REMARQUE: Sur le nouvel ensemble de boîte de vitesses p/n 68322132R / 68322133R n'est pas inclus le sélecteur et kit de levier p/n 68320209

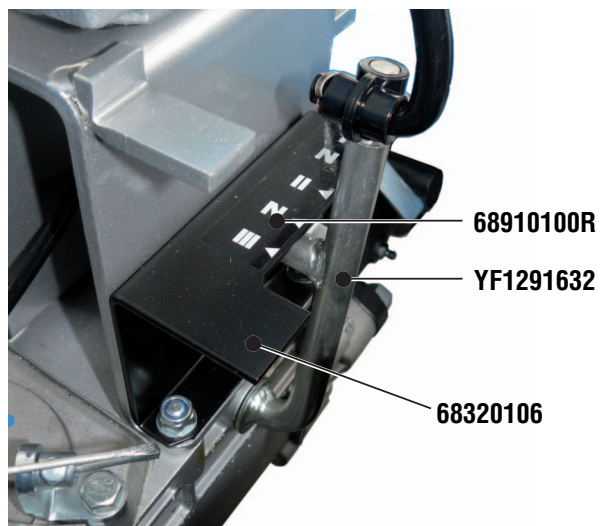
GB
MODELS: 410 - 411 Rotary cultivators
SUBJECT: Gear selector switch and lever
DESCRIPTION: To improve the gear engagement we have replaced the selector switch and related levers.

INTERCHANGEABILITY: No

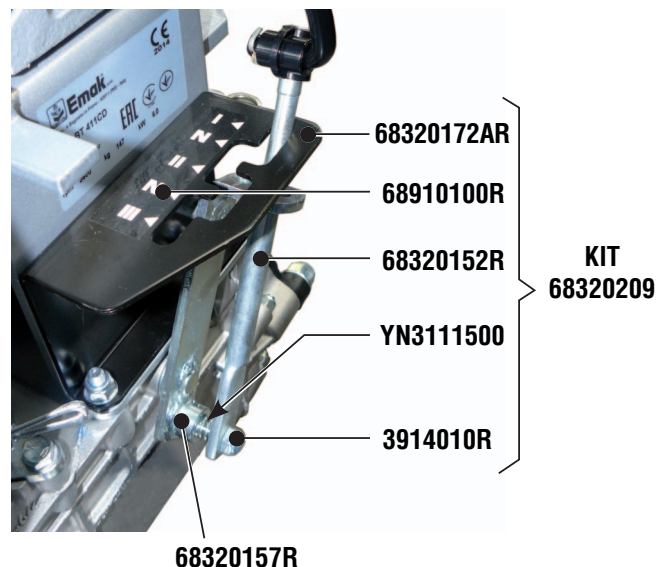
PARTS AVAILABILITY: Selector switch and lever premodified continue to be available to spare while the gear box assemblies will be supplied until end of the stock.

CUT-IN DATE: 14/12/13, serial n° B053499349

NOTES: On the new gear box assembly p/n 68322132R / 68322133R is not included the selector switch and lever kit p/n 68320209

PREMODIFICA - OLD ASSY


(Mod.410) Gruppo cambio /Gear box assy **P/N 68322057**
 (Mod.411) Gruppo cambio /Gear box assy **P/N 68322055R**

POSTMODIFICA - NEW ASSY


(Mod.410) Gruppo cambio /Gear box assy **P/N 68322133R**
 (Mod.411) Gruppo cambio /Gear box assy **P/N 68322132R**

TECNICO • TECHNICAL	●	GRUPPO • GROUP	12
RICAMBI • SPARE PARTS	●	NR • NO	009
INFORMAZIONI • INFORMATION		DATA • DATE	05-14

GENERALE - RICAMBI - GARANZIA General - Spares - Warranty	-1-	ACCESSORI Accessories	-2-	PRODOTTI DI COMPLEMENTO Other products	-6-	MOTOZAPPE Rotary tillers	-9-
TRINCIASARMENTI Flail mowers	-10-	TRANSPORTER	-11-	MOTOCOLTIVATORI Rotary cultivators	-12- ●		

PL **MODELE: Mikrociągniki jednoosiowe 410 - 411**

TEMAT: Wybierak biegu, wyłącznik i dźwignia.

OPIS: W celu poprawy funkcji wybierania biegu zmodyfikowano wybierak, wyłącznik i współpracujące dźwignie

WSPÓŁWYMIENNOŚĆ: Brak

DOSTĘPNOŚĆ CZĘŚCI ZAMIENNYCH: Wybierak, wyłącznik i dźwignie z przed modyfikacji będą nadal dostępne, podczas gdy kompletna przekładnia tylko do wyczerpania zapasu magazynowego.

DATA WPROWADZENIA ZMIAN: 14/12/13 od nr ser. B053499349

UWAGI: Nowe przekładnie p/n 68322132R/68322133R nie posiadają wybieraka i zestawu dźwigni p/n 68320209.

GB **MODELS: 410 - 411 Rotary cultivators**

SUBJECT: Gear selector switch and lever

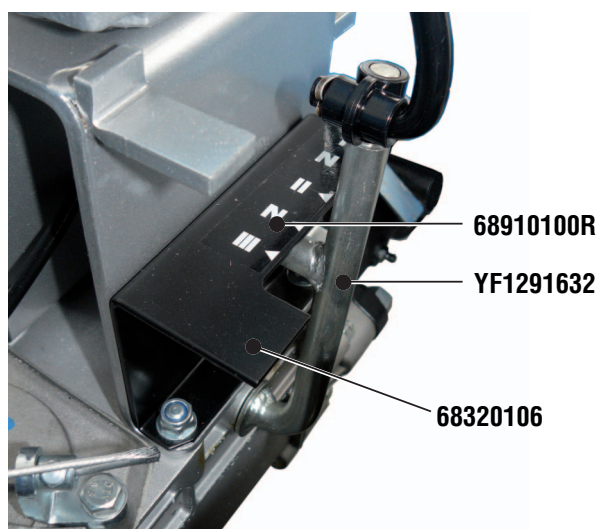
DESCRIPTION: To improve the gear engagement we have replaced the selector switch and related levers.

INTERCHANGEABILITY: No

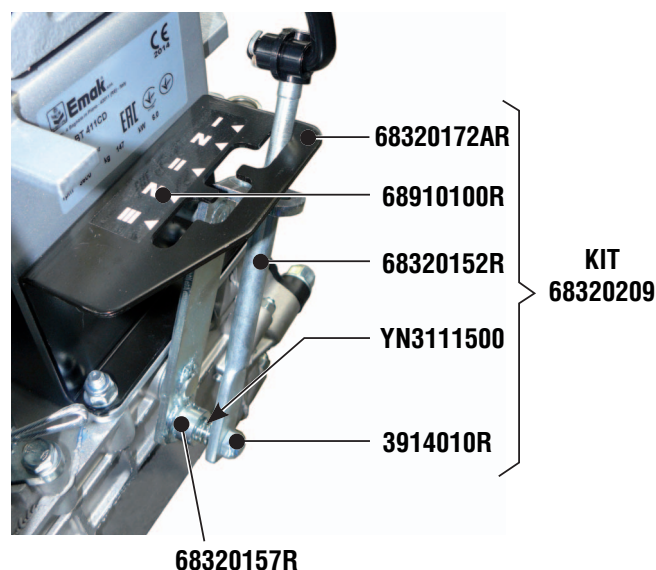
PARTS AVAILABILITY: Selector switch and lever premodified continue to be available to spare while the gear box assemblies will be supplied until end of the stock.

CUT-IN DATE: 14/12/13, serial n° B053499349

NOTES: On the new gear box assembly p/n 68322132R / 68322133R is not included the selector switch and lever kit p/n 68320209

PREMODIFICA - OLD ASSY


(Mod.410) Gruppo cambio /Gear box assy **P/N 68322057**
(Mod.411) Gruppo cambio /Gear box assy **P/N 68322055R**

POSTMODIFICA - NEW ASSY


(Mod.410) Gruppo cambio /Gear box assy **P/N 68322133R**
(Mod.411) Gruppo cambio /Gear box assy **P/N 68322132R**