

0CD10-M39301EN

PREFACE

1. This Parts Catalog is the 1st edition of 3TN(A)66,68,72L Diesel Engine for WAKITA PRECISION.

Pub. No. : 000Y00D3931

Published : May,1991

2. Model name

| Engine model | Vehicle | | Vehicle made by |
|-----------------|----------|------------|------------------|
| | Products | Model name | |
| 3TN(A)66,68,72L | — | — | WAKITA PRECISION |

How to read this Parts Catalog.

1. Parts mentioned in Parts Catalog may not necessarily be standard equipping parts
2. Parts change may be made without prior notice.
3. Form of this Parts Catalog.

| REF. | LEV. | PARTS No. | DESCRIPTION | QTY | | | | | | I | R |
|-------|------|--|---------------------|-----|-----|-----|-----|-----|-----|---|---|
| | | | | (A) | (B) | (C) | (D) | (E) | (F) | | |
| 1 | | 729595-51390 | FUEL INJECTION PUMP | | 1 | 1 | 1 | 1 | 1 | | |
| 1-1 | 1 | 729595-51391 | FUEL INJECTION PUMP | 1 | 1 | 1 | 1 | 1 | 1 | | N |
| | | (A=E00185) (B=E00200) | | | | | | | | | |
| 3 | 2 | 26022-060162 | SCREW M 6X16 | 9 | 9 | 9 | 9 | 9 | | | |
| 1 3-1 | 2 | 26022-060162 | SCREW M 6X16 | 4 | 4 | 4 | 4 | 4 | | | K |
| | | (A=E00156) (B=E00156) (C=E00156) (D=E00156) (E=E00156) | | | | | | | | | |
| 4 | 2 | 129470-51040 | CAMSHFT | 9 | 9 | 9 | 9 | 9 | | | |
| 5 | 2 | 122710-51050 | BEARING. ROLLER | 9 | 9 | 9 | 9 | 9 | | | |
| 6 | 2 | 129470-51060 | RETAINER | 9 | 9 | 9 | 9 | 9 | | | |

| Remarks | |
|---------|---|
| (1) | BOOST COMPENSATOR TYPE. OPTIONAL PART. TO E#00155 (4JH-DT, 4JH-DTZ) |

① Ref. No.

The Ref. No. in the list may not be in accordance with the Ref. No. on illustration.

(Ex.) illustration No. List head No.

1 1 (Before change) → 1-1 (After change)

When interchangeable symbol N, and K, illustrations for the new parts are sometimes omitted.

② Lev. (Level)

Indication and Meaning of Level

Level Hereunder is given the relation among the number of number (1,2,3) the level and the nominal parent-child relationship.

1 ---- Parent parts (Assembly parts)

2 ---- Child parts included in " 1 " (Semi-Assembly parts, component parts of Assembly parts.)

3 ---- Child parts included in " 2 ", Grand-child parts in terms of " 1 ".

(Component parts of Semi-Assembly parts.)

Note) A parts of non-sale parts are illustrated but not listed.



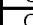
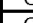
③ Change Mark

Change Mark " I " is given to the part for which a design change was made at this time.

The design change was not shown in the last published Parts Catalog.

④ Interchangeability Mark

In the case where a part change took place, one of the following interchangeability marks is indicated for that part

| Symbol | Interchangeability | Contents note |
|--------|---|--|
| N | Old ←  New | New Part is interchangeable for Old Part but not interchangeable conversely. |
| Q | Old ←  New | New Part is not interchangeable for Old Part but interchangeable conversely. |
| R | Old ←  New | New Part is interchangeable for Old Part and vice versa. |
| S | Old ←  New | New Part is not interchangeable for Old Part and vice versa. |
| W | | Part newly added. |
| Z | | Part discontinued. |
| F | | Not interchangeable single part but interchangeable by set of the related parts. |
| K | | Changed only in quantity used. |

⑤ Effective Machine No.

When a part is changed, Effective Machine No. of a Model for which the part is applicable is indication

In each column of (A)-(F).

| Product Symbol | Product No. | Product Symbol | Product No. |
|----------------|---------------------------|----------------|-------------|
| C | Clutch No, Compressor No, | M | Machine No, |
| D | Drive No, | T | Tractor No, |
| E | Engine No, | Note 1)※ | Date |

Note 1) Date may follow the symbol in some cases. (Ex.) ※1996.01

Note 2) As far as engine models shown by " XXX " are concerned, the modification of the parts could not be Predicted or the engine models themselves could not be identified.

Note 3) (A=E/#00185) means that the design change on the part has been effective for the model at the, column (A) (in the case, for 4JH-DT) on and from E/#(Engine Serial Number) 00185

⑥ Remarks Mark

Figures or alphabets (Symbols) are entered in the remark column.

The comments (remarks) on the pertinent parts are indicated in the lower part of the list by the same symbols a those stated above.

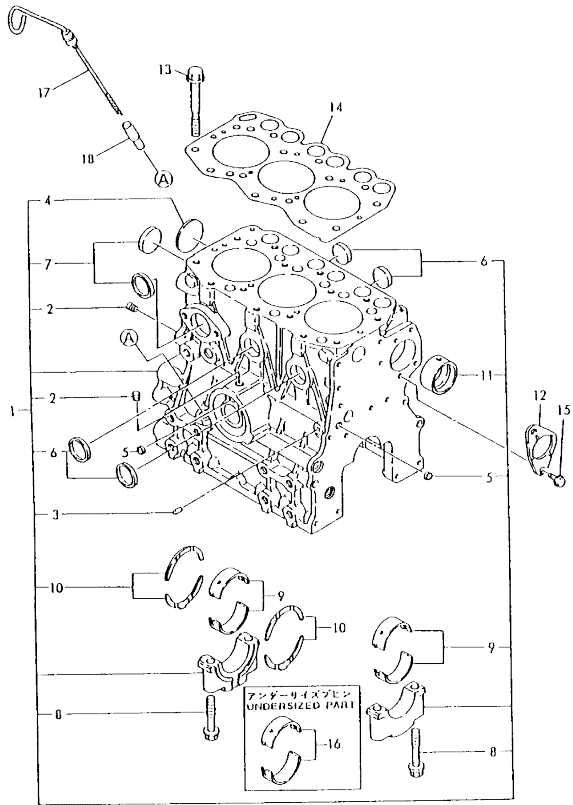
Contents

| Fig. No. | Fig. Name | Fig. No. | Fig. Name |
|----------------------|----------------------------|----------|---------------------------------|
| ENG. 3TN(A)66,68,72L | | 25. | COOLING WATER LINE |
| 1. | CYLINDER BLOCK | 26. | FUEL INJECTION PUMP |
| 2. | CYLINDER BLOCK | 27. | FUEL INJECTION VALVE |
| 3. | CYLINDER BLOCK | 28. | FUEL STRAINER |
| 4. | GEAR HOUSING | 29. | FUEL INJECTION LINE |
| 5. | GEAR HOUSING | 30. | FUEL LINE |
| 6. | FLYWHEEL HOUSING | 31. | FUEL RETURN LINE |
| 7. | OIL SEAL HOUSING | 32. | GOVERNOR |
| 8. | LUB.OIL SUMP | 33. | CONTROL SYSTEM |
| 9. | LUB.OIL SUMP | 34. | STARTING MOTOR(COMPONENT PARTS) |
| 10. | CYLINDER HEAD | 35. | GENERATOR(COMPONENT PARTS) |
| 11. | VALVE ROCKER ARM | 36. | ELECTRIC PARTS |
| 12. | BONNET | 37. | TOOLS |
| 13. | AIR CLEANER | 38. | GASKET SET(OPTION) |
| 14. | SUCTION & EXHAUST MANIFOLD | 39. | SPECIAL TOOL(OPTIONAL) |
| 15. | CAMSHAFT | | |
| 16. | CRANKSHAFT & FLYWHEEL | | |
| 17. | PISTON & CONNECTING ROD | | |
| 18. | IDLE GEAR & FUEL PUMP GEAR | | |
| 19. | LUB.OIL PUMP | | |
| 20. | LUB.OIL STRAINER | | |
| 21. | LUB.OIL SUCTION PIPE | | |
| 22. | COOLING WATER PUMP | | |
| 23. | RADIATOR & FAN | | |
| 24. | THERMOSTAT | | |

OCD10-M39301

Fig.1. CYLINDER BLOCK

019270-01110
 019260-02100
 019260-02280
 019645-34100



(A)=3TN66L-UHW (D)=
 (B)=3TNA68L-UHW (E)=
 (C)=3TNA72L-UHW (F)=

| No. | Lev. | Parts No. | Description | Q'ty | | | | | | I | R |
|-----|------|--------------|----------------------|------|-----|-----|-----|-----|-----|---|---|
| | | | | (A) | (B) | (C) | (D) | (E) | (F) | | |
| 1 | 1 | 719260-01560 | BLOCK ASSY, CYLINDER | 1 | | | | | | | |
| 2 | 2 | 124060-01050 | PLUG, PT1/8 | 2 | | | | | | | |
| 3 | 2 | 27221-060100 | PLUG, 6X10 | 1 | | | | | | | |
| 4 | 2 | 27231-400000 | PLUG 40 | 1 | | | | | | | |
| 5 | 2 | 27241-100000 | PLUG, 10 | 2 | | | | | | | |
| 6 | 2 | 27241-250000 | PLUG, 25 | 4 | | | | | | | |
| 7 | 2 | 27241-300000 | PLUG 30 | 2 | | | | | | | |
| 8 | 2 | 119260-02020 | BOLT, METAL CAP | 8 | | | | | | | |
| 9 | 2 | 719260-02800 | BEARING, MAIN | 4 | | | | | | | |
| 10 | 2 | 719260-02930 | BEARING, THRUST | 2 | | | | | | | |
| 11 | 2 | 119260-02410 | BUSH, CAMSHAFT | 1 | | | | | | | |
| 12 | 1 | 119620-02450 | BEARING, THRUST | 1 | | | | | | | |
| 13 | 1 | 119260-01200 | BOLT, HEAD | 14 | | | | | | | |
| 14 | 1 | 119255-01340 | GASKET, HEAD | 1 | | | | | | | |
| 15 | 1 | 26106-060122 | BOLT, M6X 12 PLATED | 2 | | | | | | | |
| 16 | 1 | 719260-02870 | BEARING, 0.25 US | 1 | | | | | | | 1 |
| 17 | 1 | 119645-34800 | DIPSTICK, OIL | 1 | | | | | | | |
| 18 | 1 | 121520-34810 | GUIDE, DIPSTICK | 1 | | | | | | | |

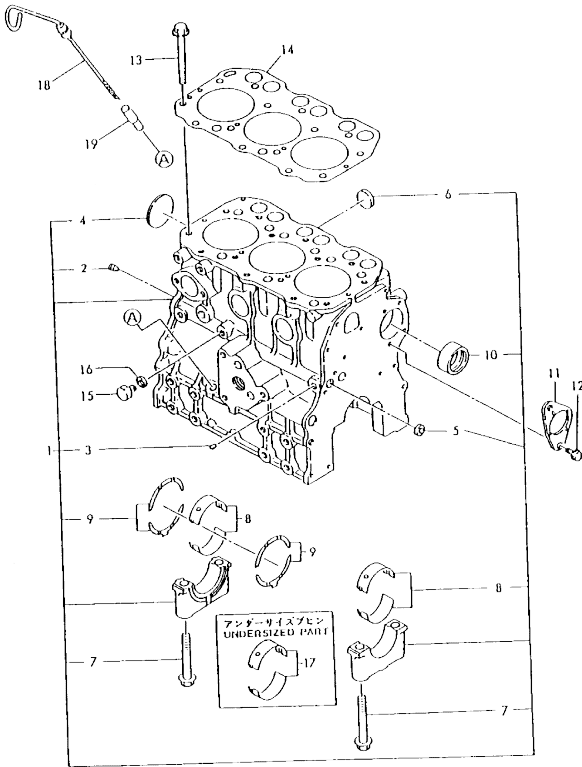
Remarks
 (1) UNDER-SIZE PART.

N:Old $\frac{100}{100}$ New, Q:Old $\frac{100}{100}$ New, R:Old $\frac{100}{100}$ New, S:Old $\frac{100}{100}$ New, W:Add, Z:Discontinued, F:Interchangeable by set, K:Q'ty Change
 Copyright (C) YANMAR CO., LTD. All Rights Reserved.

OCD10-M39301

Fig.2. CYLINDER BLOCK

019600-01100
 019620-02100
 019620-02200
 019645-34100



Remarks
 (1) UNDER-SIZE PART.

(A)=3TN66L-UHW (D)=
 (B)=3TNA68L-UHW (E)=
 (C)=3TNA72L-UHW (F)=

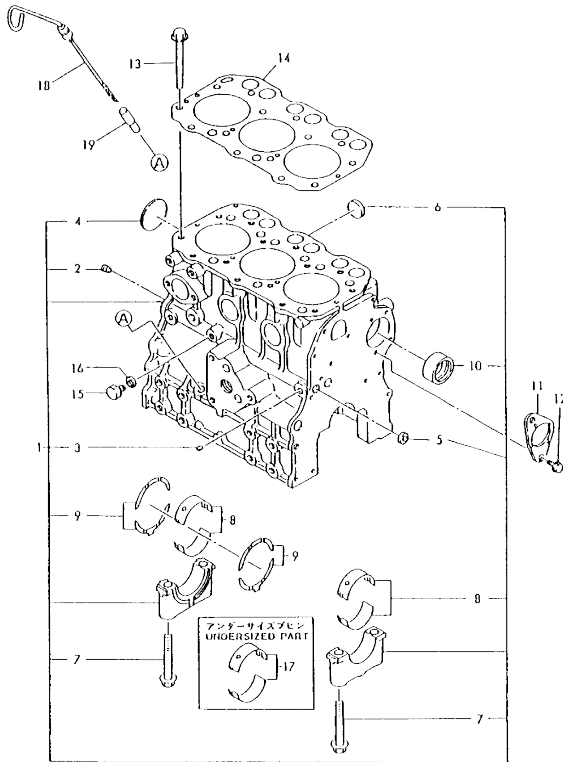
| No. | Lev. | Parts No. | Description | Q'ty | | | | | | I | R | |
|-------------|------|--------------|----------------------|------|-----|-----|-----|-----|-----|---|---|---|
| | | | | (A) | (B) | (C) | (D) | (E) | (F) | | | |
| 1 | 1 | 719600-01562 | BLOCK ASSY, CYLINDER | | 1 | | | | | | | |
| 2 | 2 | 124160-01900 | PLUG, PT1/4 | | 1 | | | | | | | |
| 2-1 | 2 | 119600-01050 | PLUG, PT1/4 | | 1 | | | | | | | N |
| (B=1987.12) | | | | | | | | | | | | |
| 3 | 2 | 23871-010000 | PLUG, R01 | | 1 | | | | | | | |
| 4 | 2 | 27231-450000 | PLUG 45 | | 1 | | | | | | | |
| 5 | 2 | 27241-120000 | PLUG, 12 | | 1 | | | | | | | |
| 6 | 2 | 27241-300000 | PLUG 30 | | 6 | | | | | | | |
| 7 | 2 | 119620-02020 | BOLT, METAL CAP | | 8 | | | | | | | |
| 8 | 2 | 719620-02800 | BEARING, MAIN | | 4 | | | | | | | |
| 9 | 2 | 719620-02930 | BEARING, THRUST | | 2 | | | | | | | |
| 10 | 2 | 119620-02410 | BUSH, CAMSHAFT | | 1 | | | | | | | |
| 11 | 1 | 119620-02450 | BEARING, THRUST | | 1 | | | | | | | |
| 12 | 1 | 26106-060122 | BOLT, M6X 12 PLATED | | 2 | | | | | | | |
| 13 | 1 | 119620-01200 | BOLT, HEAD | | 14 | | | | | | | |
| 14 | 1 | 119656-01340 | GASKET, HEAD | | 1 | | | | | | | |
| 15 | 1 | 119656-01900 | PLUG, 8 | | 1 | | | | | | | Z |
| (B=EXXX) | | | | | | | | | | | | |
| 16 | 1 | 104884-59170 | GASKET | | 1 | | | | | | | Z |
| (B=EXXX) | | | | | | | | | | | | |
| 17 | 1 | 719620-02870 | BEARING, 0.25 US | | 4 | | | | | | | 1 |
| 18 | 1 | 119645-34800 | DIPSTICK, OIL | | 1 | | | | | | | |
| 19 | 1 | 121520-34810 | GUIDE, DIPSTICK | | 1 | | | | | | | |

N:Old $\frac{100}{100}$ New, Q:Old $\frac{100}{100}$ New, R:Old $\frac{100}{100}$ New, S:Old $\frac{100}{100}$ New, W:Add, Z:Discontinued, F:Interchangeable by set, K:Qty Change
 Copyright (C) YANMAR CO., LTD. All Rights Reserved.

OCD10-M39301

Fig.3. CYLINDER BLOCK

019610-01100
 019620-02100
 019620-02200
 019645-34100



| No. | Lev. | Parts No. | Description | Q'ty | | | | | | I | R | |
|-----|------|--------------|----------------------|------------|-----|-----|-----|-----|-----|---|---|---|
| | | | | (A) | (B) | (C) | (D) | (E) | (F) | | | |
| 1 | 1 | 719610-01560 | BLOCK ASSY, CYLINDER | | | | | | | | | |
| 2 | 2 | 124160-01910 | PLUG, PT1/4 | | | | | | | | | |
| 2-1 | 2 | 119600-01050 | PLUG, PT1/4 | | | | | | | | | N |
| | | | | (C=E18586) | | | | | | | | |
| 3 | 2 | 23871-010000 | PLUG, R01 | | | | | | | | | |
| 4 | 2 | 27231-450000 | PLUG 45 | | | | | | | | | |
| 5 | 2 | 27241-120000 | PLUG, 12 | | | | | | | | | |
| 6 | 2 | 27241-300000 | PLUG 30 | | | | | | | | | |
| 7 | 2 | 119620-02020 | BOLT, METAL CAP | | | | | | | | | |
| 8 | 2 | 719620-02800 | BEARING, MAIN | | | | | | | | | |
| 9 | 2 | 719620-02930 | BEARING, THRUST | | | | | | | | | |
| 10 | 2 | 119620-02410 | BUSH, CAMSHAFT | | | | | | | | | |
| 11 | 1 | 119620-02450 | BEARING, THRUST | | | | | | | | | |
| 12 | 1 | 26106-060122 | BOLT, M6X 12 PLATED | | | | | | | | | |
| 13 | 1 | 119620-01200 | BOLT, HEAD | | | | | | | | | |
| 14 | 1 | 119610-01340 | GASKET, HEAD | | | | | | | | | |
| 15 | 1 | 119656-01900 | PLUG, 8 | | | | | | | | | Z |
| | | | | (C=E18586) | | | | | | | | |
| 16 | 1 | 104884-59170 | GASKET | | | | | | | | | Z |
| | | | | (C=E18586) | | | | | | | | |
| 17 | 1 | 719620-02870 | BEARING, 0.25 US | | | | | | | | | 1 |
| 18 | 1 | 119645-34800 | DIPSTICK, OIL | | | | | | | | | |
| 19 | 1 | 121520-34810 | GUIDE, DIPSTICK | | | | | | | | | |

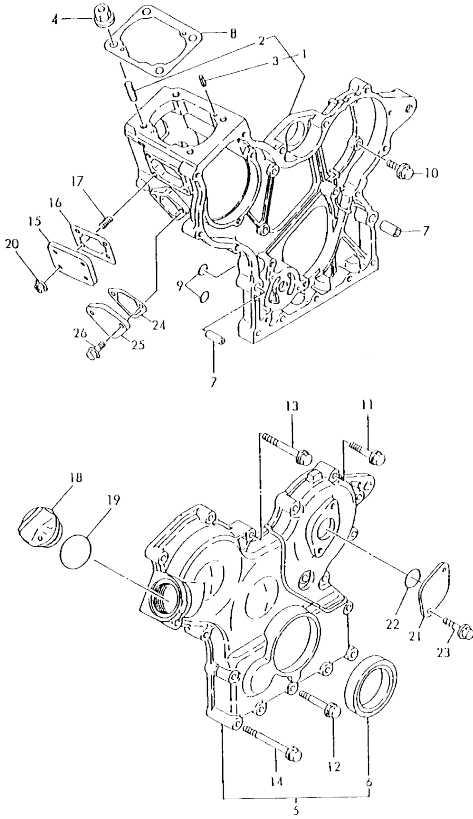
Remarks
 (1) UNDER-SIZE PART.

N:Old $\frac{100}{100}$ New, Q:Old $\frac{100}{100}$ New, R:Old $\frac{100}{100}$ New, S:Old $\frac{100}{100}$ New, W:Add, Z:Discontinued, F:Interchangeable by set, K:Qty Change
 Copyright (C) YANMAR CO., LTD. All Rights Reserved.

OCD10-M39301

Fig.4. GEAR HOUSING

019260-01200
 019660-01300
 019660-01800
 019660-52200



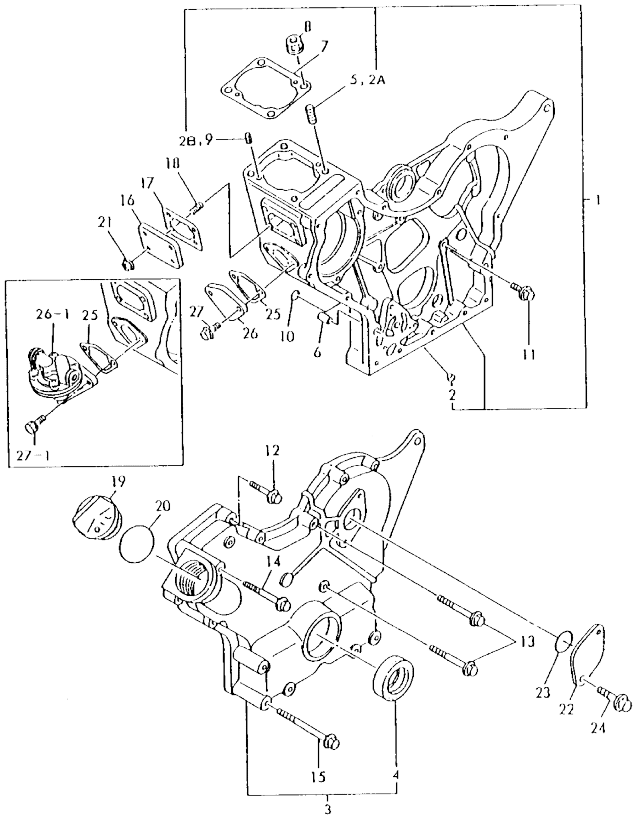
(A)=3TN66L-UHW
 (B)=3TNA68L-UHW
 (C)=3TNA72L-UHW
 (D)=
 (E)=
 (F)=

| No. | Lev. | Parts No. | Description | Qty | | | | | | I | R |
|--------------|------|--------------|-----------------------|-----|-----|-----|-----|-----|-----|---|---|
| | | | | (A) | (B) | (C) | (D) | (E) | (F) | | |
| 1 | 1 | 119260-01490 | CASE ASSY, GEAR | 1 | | | | | | | W |
| (A=*1987.11) | | | | | | | | | | | |
| 2 | 2 | 121450-01560 | STUD, M8X22 | 4 | | | | | | | |
| 3 | 2 | 22351-040010 | PIN, SPRING 4.0X10 | 2 | | | | | | | |
| 4 | 1 | 194990-22050 | NUT, M8 | 4 | | | | | | | |
| 5 | 1 | 119260-01590 | COVER ASSY, GEAR CASE | 1 | | | | | | | W |
| (A=*1990.05) | | | | | | | | | | | |
| 6 | 2 | 119620-01800 | SEAL, OIL | 1 | | | | | | | |
| 7 | 1 | 119660-01911 | PIPE, KNOCK | 4 | | | | | | | |
| 8 | 1 | 119620-01950 | SHIM SET, ADJUSTING | 1 | | | | | | | |
| 9 | 1 | 24311-000120 | O-RING, 1AP12.0 | 2 | | | | | | | |
| 10 | 1 | 26106-060162 | BOLT, M6X 16 PLATED | 5 | | | | | | | |
| 11 | 1 | 26106-060302 | BOLT, M6X 30 PLATED | 5 | | | | | | | |
| 12 | 1 | 26106-060402 | BOLT, M6X 40 PLATED | 3 | | | | | | | |
| 13 | 1 | 26106-060502 | BOLT, M6X 50 PLATED | 4 | | | | | | | |
| 14 | 1 | 26106-060652 | BOLT, M6X 65 PLATED | 6 | | | | | | | |
| 15 | 1 | 119660-01551 | COVER | 1 | | | | | | | |
| 16 | 1 | 119660-01561 | GASKET | 1 | | | | | | | |
| 16-1 | 1 | 119660-01562 | GASKET | 1 | | | | | | | N |
| (A=*1990.01) | | | | | | | | | | | |
| 17 | 1 | 119660-01570 | STUD, M6X12 | 4 | | | | | | | |
| 18 | 1 | 124160-01751 | COVER, FILLER | 1 | | | | | | | |
| 19 | 1 | 121420-01760 | O-RING | 1 | | | | | | | |
| 19-1 | 1 | 24311-000320 | O-RING, 1AP32.0 | 1 | | | | | | | N |
| (A=*1988.04) | | | | | | | | | | | |
| 20 | 1 | 26366-060002 | NUT, M6 | 4 | | | | | | | |
| 21 | 1 | 121023-01550 | COVER | 1 | | | | | | | |
| 22 | 1 | 24341-000260 | O-RING, 1AS26.0 | 1 | | | | | | | |
| 22-1 | 1 | 24341-000240 | O-RING, 1AS24.0 | 1 | | | | | | | S |
| (A=*1989.01) | | | | | | | | | | | |
| 23 | 1 | 26106-060182 | BOLT, M6X 18 PLATED | 2 | | | | | | | |
| 24 | 1 | 121520-01850 | GASKET | 1 | | | | | | | |
| 24-1 | 1 | 121520-01851 | GASKET | 1 | | | | | | | N |
| (A=*1990.01) | | | | | | | | | | | |
| 25 | 1 | 121520-01860 | COVER | 1 | | | | | | | |
| 26 | 1 | 26106-060162 | BOLT, M6X 16 PLATED | 2 | | | | | | | |

OCD10-M39301

Fig.5. GEAR HOUSING

019610-01200
019600-01300
019600-01800
019600-52100
019600-52200



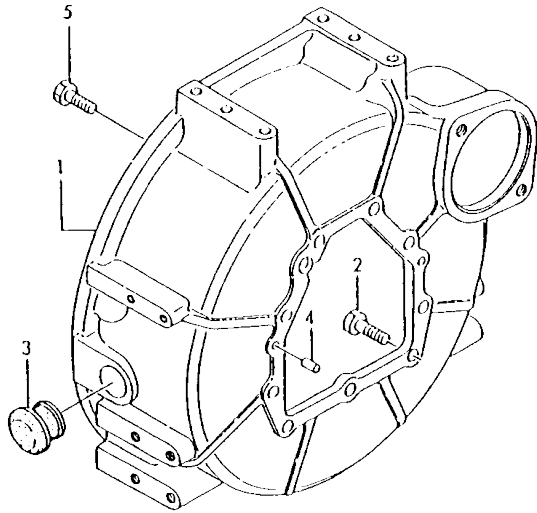
(A)=3TN66L-UHW (D)=
(B)=3TNA68L-UHW (E)=
(C)=3TNA72L-UHW (F)=

| No. | Lev. | Parts No. | Description | Qty | | | | | | I | R | |
|------|------|--------------|-----------------------|-----|-----|-----|-----|-----|-----|---|---|---|
| | | | | (A) | (B) | (C) | (D) | (E) | (F) | | | |
| 1 | 1 | 119610-01490 | CASE ASSY, GEAR | | 1 | 1 | | | | | | |
| 2 | 2 | 119660-01510 | PLUG, 10X14 | | 1 | 1 | | | | | | |
| 2A | 2 | 121450-01560 | STUD, M8X22 | | 4 | 4 | | | | | | W |
| 2B | 2 | 22351-040010 | PIN, SPRING 4.0X10 | | 2 | 2 | | | | | | W |
| 3 | 1 | 119610-01590 | COVER ASSY, GEAR CASE | | 1 | 1 | | | | | | W |
| 4 | 2 | 119620-01800 | SEAL, OIL | | 1 | 1 | | | | | | |
| 5 | 1 | 121450-01560 | STUD, M8X22 | | 4 | 4 | | | | | | Z |
| 6 | 1 | 119660-01911 | PIPE, KNOCK | | 4 | 4 | | | | | | |
| 7 | 1 | 119620-01950 | SHIM SET, ADJUSTING | | 1 | 1 | | | | | | |
| 8 | 1 | 194990-22050 | NUT, M8 | | 4 | 4 | | | | | | |
| 9 | 1 | 22351-040010 | PIN, SPRING 4.0X10 | | 2 | 2 | | | | | | Z |
| 10 | 1 | 24311-000120 | O-RING, 1AP12.0 | | 2 | 2 | | | | | | |
| 11 | 1 | 26106-060162 | BOLT, M6X 16 PLATED | | 7 | 7 | | | | | | |
| 12 | 1 | 26106-060302 | BOLT, M6X 30 PLATED | | 8 | 8 | | | | | | |
| 13 | 1 | 26106-060602 | BOLT, M6X 60 PLATED | | 3 | 3 | | | | | | |
| 14 | 1 | 26106-060602 | BOLT, M6X 60 PLATED | | 1 | 1 | | | | | | |
| 15 | 1 | 26106-060802 | BOLT, M6X 80 PLATED | | 6 | 6 | | | | | | |
| 16 | 1 | 119660-01551 | COVER | | 1 | 1 | | | | | | |
| 17 | 1 | 119660-01561 | GASKET | | 1 | 1 | | | | | | |
| 17-1 | 1 | 119660-01562 | GASKET | | 1 | 1 | | | | | | N |
| 18 | 1 | 119660-01570 | STUD, M6X12 | | 4 | 4 | | | | | | |
| 19 | 1 | 124160-01751 | COVER, FILLER | | 1 | 1 | | | | | | |
| 20 | 1 | 121420-01760 | O-RING | | 1 | 1 | | | | | | |
| 20-1 | 1 | 24311-000320 | O-RING, 1AP32.0 | | 1 | 1 | | | | | | N |
| 21 | 1 | 26366-060002 | NUT, M6 | | 4 | 4 | | | | | | |
| 22 | 1 | 121023-01550 | COVER | | 1 | 1 | | | | | | |
| 23 | 1 | 24341-000260 | O-RING, 1AS26.0 | | 1 | 1 | | | | | | |
| 23-1 | 1 | 24341-000240 | O-RING, 1AS24.0 | | 1 | 1 | | | | | | S |
| 24 | 1 | 26106-060182 | BOLT, M6X 18 PLATED | | 2 | 2 | | | | | | |
| 25 | 1 | 121520-01850 | GASKET | | 1 | 1 | | | | | | |
| 25-1 | 1 | 121520-01851 | GASKET | | 1 | 1 | | | | | | N |
| 26 | 1 | 121520-01860 | COVER | | 1 | 1 | | | | | | |
| 26-1 | 1 | 119600-52021 | PUMP ASSY, FUEL FEED | | 1 | 1 | | | | | | S |
| 27 | 1 | 26106-060162 | BOLT, M6X 16 PLATED | | 2 | 2 | | | | | | |
| 27-1 | 1 | 26014-060202 | BOLT, M6X 20 | | 2 | 2 | | | | | | S |

N:Old $\frac{100}{100}$ New, Q:Old $\frac{100}{100}$ New, R:Old $\frac{100}{100}$ New, S:Old $\frac{100}{100}$ New, W:Add, Z:Discontinued, F:Interchangeable by set, K:Qty Change
Copyright (C) YANMAR CO., LTD. All Rights Reserved.

OCD10-M39301

Fig.6. FLYWHEEL HOUSING



D19600-01400

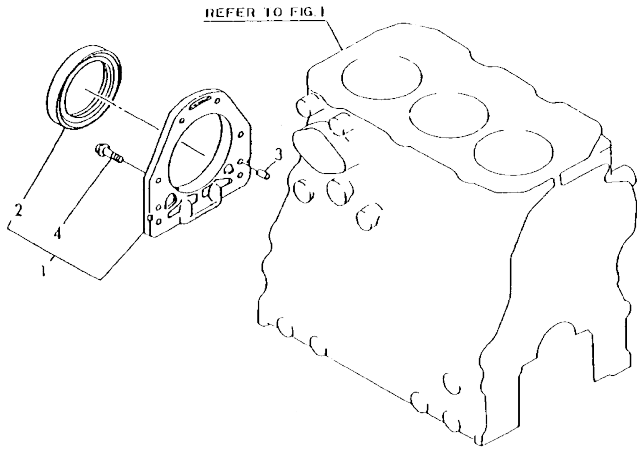
(A)=3TN66L-UHW (D)=
(B)=3TNA68L-UHW (E)=
(C)=3TNA72L-UHW (F)=

| No. | Lev. | Parts No. | Description | Q'ty | | | | | | |
|-----|------|--------------|----------------------|------|-----|-----|-----|-----|-----|--|
| | | | | (A) | (B) | (C) | (D) | (E) | (F) | |
| 1 | 1 | 119600-01600 | HOUSING, FLYWHEEL | 1 | 1 | 1 | | | | |
| 2 | 1 | 121120-01620 | BOLT, M10X28 | 3 | 3 | 3 | | | | |
| 3 | 1 | 119620-01750 | CAP | 1 | 1 | 1 | | | | |
| 4 | 1 | 129100-01580 | PIN, M8X16 | 2 | 2 | 2 | | | | |
| 5 | 1 | 26206-100252 | BOLT, M10X 25 PLATED | 6 | 6 | 6 | | | | |

OCD10-M39301

Fig.7. OIL SEAL HOUSING

D19600-01500



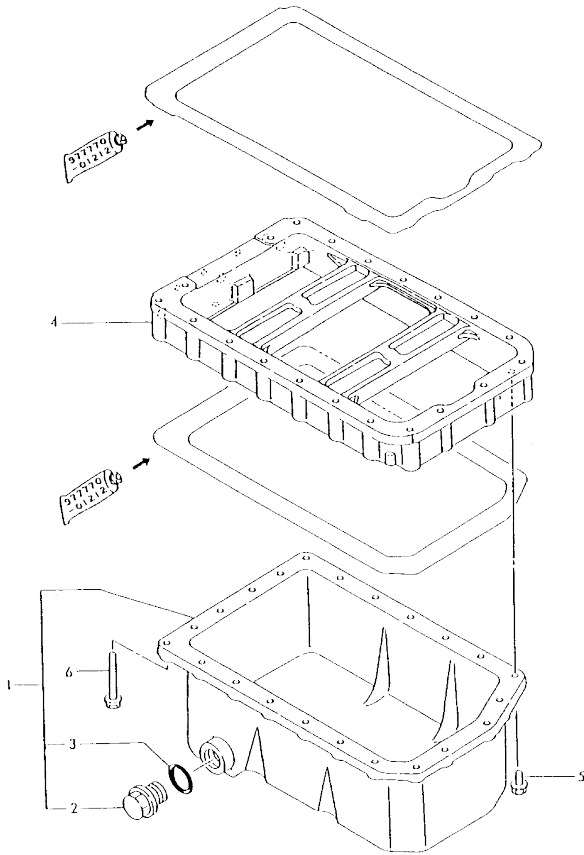
(A)=3TN66L-UHW
(B)=3TNA68L-UHW
(C)=3TNA72L-UHW
(D)=
(E)=
(F)=

| No. | Lev. | Parts No. | Description | Q'ty | | | | | | I | R |
|-----|------|--|---------------------|------|-----|-----|-----|-----|-----|---|---|
| | | | | (A) | (B) | (C) | (D) | (E) | (F) | | |
| 1 | 1 | 119660-01640 (A=*1990.05) (B=*1990.05) (C=*1990.05) | CASE ASSY, OIL SEAL | 1 | 1 | 1 | | | | | W |
| 2 | 2 | 124085-02220 | SEAL, OIL | 1 | 1 | 1 | | | | | |
| 3 | 1 | 119620-01620 | PIN, M6X10 | 2 | 2 | 2 | | | | | |
| 4 | 1 | 26106-060202 | BOLT, M6X 20 PLATED | 10 | 10 | 10 | | | | | |
| 4-1 | 1 | 26106-060222 | BOLT, M6X 22 PLATED | 10 | 10 | 10 | | | | | N |
| | | (A=EXXX) (B=EXXX) (C=EXXX) | | | | | | | | | |

OCD10-M39301

Fig.8. LUB.OIL SUMP

019260-01770



(A)=3TN66L-UHW
(B)=3TNA68L-UHW
(C)=3TNA72L-UHW

(D)=
(E)=
(F)=

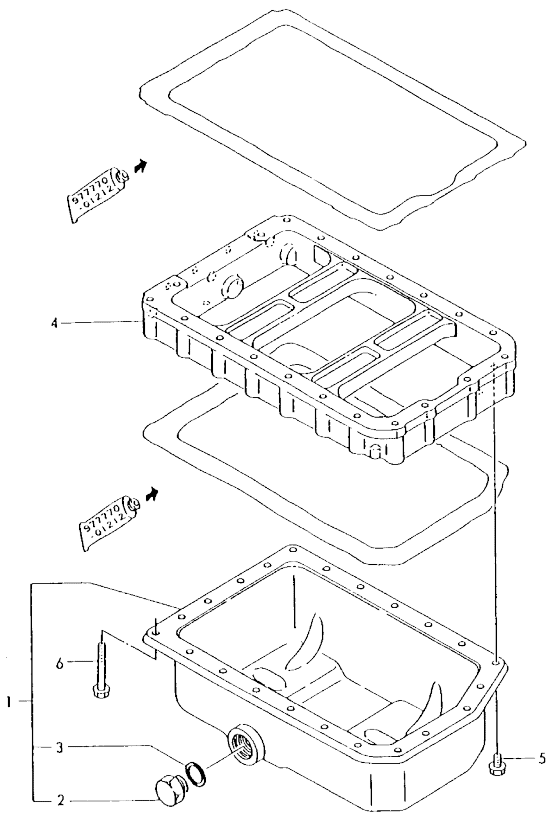
| No. | Lev. | Parts No. | Description | Q'ty | | | | | | I | R |
|-----------|------|--------------|---------------------|------|-----|-----|-----|-----|-----|---|---|
| | | | | (A) | (B) | (C) | (D) | (E) | (F) | | |
| 1 | 1 | 719288-01540 | SUMP ASSY, OIL | 1 | | | | | | | |
| 1-1 | 1 | 119260-01770 | SUMP ASSY, OIL | 1 | | | | | | | N |
| (A=1990.) | | | | | | | | | | | |
| 2 | 2 | 121400-01640 | PLUG, 16 | | 1 | | | | | | |
| 3 | 2 | 24311-000180 | O-RING, 1AP18.0 | | 1 | | | | | | |
| 4 | 1 | 119454-01721 | SPACER, OIL SUMP | | 1 | | | | | | |
| 5 | 1 | 26106-060102 | BOLT, M6X 10 PLATED | | 3 | | | | | | |
| 6 | 1 | 26106-060452 | BOLT, M6X 45 PLATED | | 20 | | | | | | |

N:Old $\frac{100}{100}$ New. Q:Old $\frac{100}{100}$ New. R:Old $\frac{100}{100}$ New. S:Old $\frac{100}{100}$ New. W:Add. Z:Discontinued. F:Interchangeable by set. K:Q'ty Change
Copyright (C) YANMAR CO., LTD. All Rights Reserved.

OCD10-M39301

Fig.9. LUB.OIL SUMP

019600-01700



(A)=3TN66L-UHW (D)=
 (B)=3TNA68L-UHW (E)=
 (C)=3TNA72L-UHW (F)=

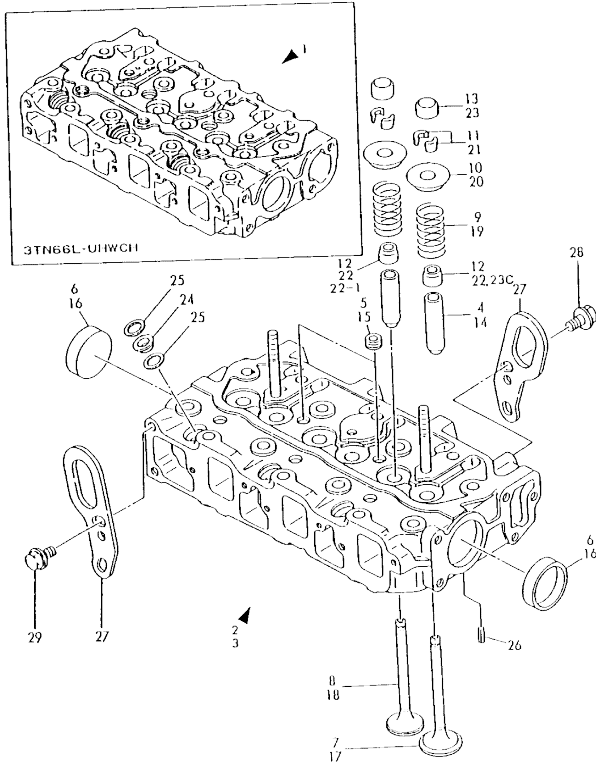
| No. | Lev. | Parts No. | Description | Q'ty | | | | | | I | R |
|-----|------|----------------------------|------------------------------|------|-----|-----|-----|-----|-----|---|---|
| | | | | (A) | (B) | (C) | (D) | (E) | (F) | | |
| 1 | 1 | 719600-01541 | SUMP ASSY, OIL | | 1 | 1 | | | | | |
| 1-1 | 1 | 119600-01770 (B=*1990.) | SUMP ASSY, OIL (C=*1990.) | | 1 | 1 | | | | | N |
| 2 | 2 | 171301-01640 | PLUG, 22 | | | 1 | 1 | | | | |
| 3 | 2 | 24341-000240 | O-RING, 1AS24.0 | | | 1 | 1 | | | | |
| 4 | 1 | 119600-01722 | SPACER, OIL SUMP | | | 1 | 1 | | | | |
| 5 | 1 | 26106-060122 | BOLT, M6X 12 PLATED | | | 3 | 3 | | | | |
| 6 | 1 | 26106-060452 | BOLT, M6X 45 PLATED | | | 20 | 20 | | | | |

N:Old $\frac{New}{Old}$ New. Q:Old $\frac{New}{Old}$ New. R:Old $\frac{New}{Old}$ New. S:Old $\frac{New}{Old}$ New. W:Add. Z:Discontinued. F:Interchangeable by set. K:Qty Change
 Copyright (C) YANMAR CO., LTD. All Rights Reserved.

OCD10-M39301

Fig.10. CYLINDER HEAD

019600-01300
 019260-11100
 019600-11110
 019670-11107



(A)=3TN66L-UHW
 (B)=3TNA68L-UHW
 (C)=3TNA72L-UHW
 (D)=
 (E)=
 (F)=

| No. | Lev. | Parts No. | Description | Q'ty | | | | | | I | R |
|------|------|--|---------------------|------|-----|-----|-----|-----|-----|---|---|
| | | | | (A) | (B) | (C) | (D) | (E) | (F) | | |
| 1 | 1 | 719260-11700 | HEAD ASSY, CYLINDER | 1 | | | | | | | |
| 2 | 1 | 719600-11700 | HEAD ASSY, CYLINDER | | 1 | | | | | | |
| 3 | 1 | 719620-11700 | HEAD ASSY, CYLINDER | | | 1 | | | | | |
| 4 | 2 | 119260-11800 | GUIDE, VALVE | | 6 | | | | | | 1 |
| 5 | 2 | 121850-11860 | PLUG, PT1/4 | | 2 | | | | | | |
| 6 | 2 | 27241-350000 | PLUG, 35 | | 2 | | | | | | |
| 7 | 2 | 119260-11100 | VALVE, INTAKE | | 3 | | | | | | |
| 8 | 2 | 119260-11110 | VALVE, EXHAUST | | 3 | | | | | | |
| 9 | 2 | 114250-11120 | SPRING, VALVE | | 6 | | | | | | |
| 10 | 2 | 114250-11180 | RETAINER, SPRING | | 6 | | | | | | |
| 11 | 2 | 114250-11190 | COTTER | | 6 | | | | | | |
| 12 | 2 | 119260-11340 | SEAL, VALVE STEM | | 6 | | | | | | |
| 13 | 2 | 119260-11370 | CAP, VALVE | | 6 | | | | | | |
| 14 | 2 | 119620-11801 | GUIDE, VALVE | | 6 | 6 | | | | | 1 |
| 15 | 2 | 121850-11860 | PLUG, PT1/4 | | 2 | 2 | | | | | |
| 16 | 2 | 27241-400000 | PLUG, 40 | | 2 | 2 | | | | | |
| 17 | 2 | 119620-11100 | VALVE, INTAKE | | 3 | 3 | | | | | |
| 18 | 2 | 119620-11110 | VALVE, EXHAUST | | 3 | 3 | | | | | |
| 19 | 2 | 119620-11120 | SPRING, VALVE | | 6 | 6 | | | | | |
| 20 | 2 | 119620-11180 | RETAINER, SPRING | | 6 | 6 | | | | | |
| 21 | 2 | 101158-11190 | COTTER | | 6 | 6 | | | | | |
| 22 | 2 | 124950-11340 | SEAL, VALVE STEM | | 6 | 6 | | | | | |
| 22-1 | 2 | 124950-11340 (B=E07233) (C=E15989) | SEAL, VALVE STEM | | 3 | 3 | | | | | K |
| 23 | 2 | 104211-11370 | CAP, VALVE | | 6 | 6 | | | | | |
| 23C | 2 | 124160-11340 (B=E07233) (C=E15989) | SEAL, VALVE STEM | | 3 | 3 | | | | | W |
| 24 | 1 | 119600-11450 | PROTECTOR, NOZZLE | | 3 | 3 | 3 | | | | |
| 25 | 1 | 119600-11460 | GASKET, NOZZLE | | 6 | 6 | 6 | | | | |
| 26 | 1 | 22351-060012 | PIN, SPRING 6.0X12 | | 2 | 2 | 2 | | | | |
| 27 | 1 | 119260-07900 | LIFTER | | 2 | 2 | 2 | | | | |
| 28 | 1 | 26106-080142 | BOLT, M8X 14 PLATED | | 1 | 1 | 1 | | | | |
| 29 | 1 | 26106-080142 | BOLT, M8X 14 PLATED | | 2 | 2 | 2 | | | | |

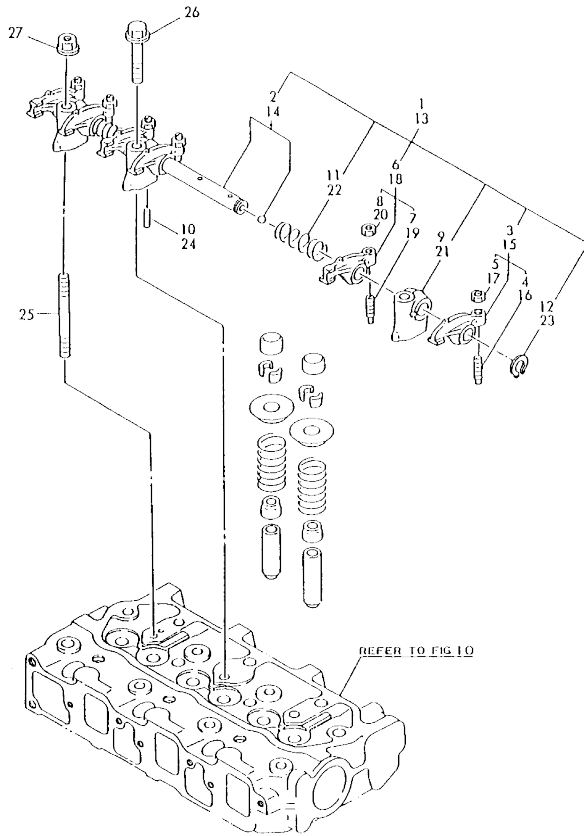
Remarks
 (1)REPAIR PART.

N:Old $\frac{100}{100}$ New, Q:Old $\frac{100}{100}$ New, R:Old $\frac{100}{100}$ New, S:Old $\frac{100}{100}$ New, W:Add, Z:Discontinued, F:Interchangeable by set, K:Q'ty Change
 Copyright (C) YANMAR CO., LTD. All Rights Reserved.

OCD10-M39301

Fig.11. VALVE ROCKER ARM

019260-11200
019620-11200



(A)=3TN66L-UHW (D)=
(B)=3TNA68L-UHW (E)=
(C)=3TNA72L-UHW (F)=

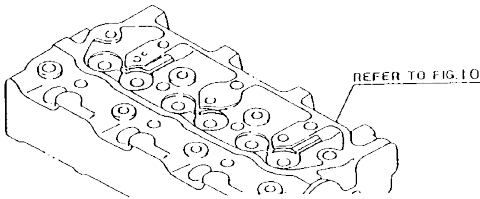
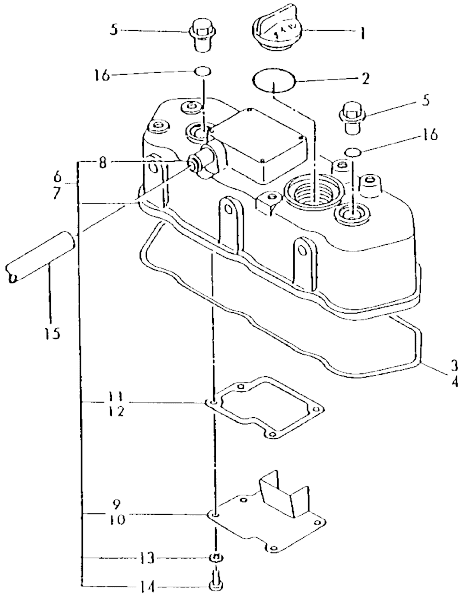
| No. | Lev. | Parts No. | Description | Q'ty | | | | | | I | R |
|-----|------|--------------|---------------------|------|-----|-----|-----|-----|-----|---|---|
| | | | | (A) | (B) | (C) | (D) | (E) | (F) | | |
| 1 | 1 | 119260-11200 | SUPPORT ASSY, ARM | 1 | | | | | | | |
| 2 | 2 | 119260-11240 | SHAFT ASSY, ROCKER | 1 | | | | | | | |
| 3 | 2 | 719260-11650 | ARM ASSY, ROCKER | 3 | | | | | | | |
| 4 | 3 | 105010-11230 | SCREW, VALVE ADJUST | 3 | | | | | | | |
| 5 | 3 | 26756-060002 | NUT, LOCK M6 | 3 | | | | | | | |
| 6 | 2 | 719260-11660 | ARM ASSY, ROCKER | 3 | | | | | | | |
| 7 | 3 | 105010-11230 | SCREW, VALVE ADJUST | 3 | | | | | | | |
| 8 | 3 | 26756-060002 | NUT, LOCK M6 | 3 | | | | | | | |
| 9 | 2 | 119260-11260 | SUPPORT, ROCKER ARM | 3 | | | | | | | |
| 10 | 2 | 119260-11270 | SCREW | 1 | | | | | | | |
| 11 | 2 | 119260-11280 | SPRING | 2 | | | | | | | |
| 12 | 2 | 22242-000100 | RING, 10 | 2 | | | | | | | |
| 13 | 1 | 119620-11200 | SUPPORT ASSY, ARM | | 1 | 1 | | | | | |
| 14 | 2 | 119620-11240 | SHAFT ASSY, ROCKER | | 1 | 1 | | | | | |
| 15 | 2 | 719620-11650 | ARM ASSY, ROCKER | | 3 | 3 | | | | | |
| 16 | 3 | 105010-11230 | SCREW, VALVE ADJUST | | 3 | 3 | | | | | |
| 17 | 3 | 26756-060002 | NUT, LOCK M6 | | 3 | 3 | | | | | |
| 18 | 2 | 719620-11660 | ARM ASSY, ROCKER | | 3 | 3 | | | | | |
| 19 | 3 | 105010-11230 | SCREW, VALVE ADJUST | | 3 | 3 | | | | | |
| 20 | 3 | 26756-060002 | NUT, LOCK M6 | | 3 | 3 | | | | | |
| 21 | 2 | 119620-11260 | SUPPORT, ROCKER ARM | | 3 | 3 | | | | | |
| 22 | 2 | 119620-11280 | SPRING | | 2 | 2 | | | | | |
| 23 | 2 | 22242-000120 | RING, 12 | | 2 | 2 | | | | | |
| 24 | 2 | 26979-050162 | SCREW, M5X16 | | 1 | 1 | | | | | |
| 25 | 1 | 119620-11350 | STUD | | 2 | 2 | | | | | |
| 26 | 1 | 26106-080452 | BOLT, M8X 45 PLATED | | 1 | 1 | | | | | |
| 27 | 1 | 26366-080002 | NUT, M8 | | 2 | 2 | | | | | |

N:Old $\frac{100}{100}$ New, Q:Old $\frac{100}{100}$ New, R:Old $\frac{100}{100}$ New, S:Old $\frac{100}{100}$ New, W:Add, Z:Discontinued, F:Interchangeable by set, K:Q'ty Change
Copyright (C) YANMAR CO., LTD. All Rights Reserved.

OCD10-M39301

Fig.12. BONNET

019241-03100
 019643-03100
 019260-11310
 019610-11300
 019247-93100
 019647-93100
 019647-93110



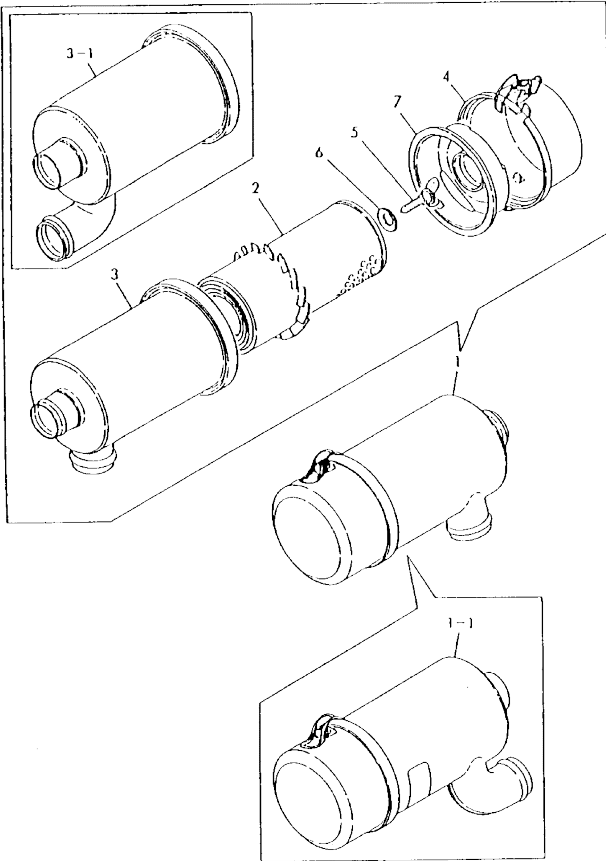
(A)=3TN66L-UHW (D)=
 (B)=3TNA68L-UHW (E)=
 (C)=3TNA72L-UHW (F)=

| No. | Lev. | Parts No. | Description | Q'ty | | | | | | I | R |
|------|------|--------------|-------------------|------|-----|-----|-----|-----|-----|---|---|
| | | | | (A) | (B) | (C) | (D) | (E) | (F) | | |
| 1 | 1 | 124160-01751 | COVER, FILLER | 1 | 1 | 1 | | | | | |
| 2 | 1 | 121420-01760 | O-RING | 1 | 1 | 1 | | | | | |
| 2-1 | 1 | 24311-000320 | O-RING, 1AP32.0 | 1 | 1 | 1 | | | | | N |
| 3 | 1 | 119260-11310 | GASKET, BONNET | 1 | | | | | | | |
| 4 | 1 | 119620-11310 | GASKET, BONNET | | 1 | 1 | | | | | |
| 5 | 1 | 124160-11360 | KNOB | 2 | 2 | 2 | | | | | |
| 6 | 1 | 719260-11520 | BONNET ASSY, HEAD | 1 | | | | | | | |
| 7 | 1 | 719620-11520 | BONNET ASSY, HEAD | | 1 | 1 | | | | | |
| 8 | 2 | 119620-11390 | JOINT | 1 | 1 | 1 | | | | | |
| 9 | 2 | 119260-03020 | PLATE, SHELTER | 1 | | | | | | | |
| 10 | 2 | 119620-03020 | PLATE, SHELTER | | 1 | 1 | | | | | |
| 11 | 2 | 119260-03030 | GASKET | 1 | | | | | | | |
| 11-1 | 2 | 119260-03031 | GASKET | | 1 | | | | | | N |
| 12 | 2 | 119620-03030 | GASKET | | 1 | 1 | | | | | |
| 12-1 | 2 | 119620-03031 | GASKET | | 1 | 1 | | | | | N |
| 13 | 2 | 22217-050000 | WASHER, SPRING 5 | 4 | 4 | 4 | | | | | |
| 14 | 2 | 26557-050102 | SCREW, M5X10 | 4 | 4 | 4 | | | | | |
| 15 | 1 | 23065-120800 | PIPE, 12X 800 | 1 | 1 | 1 | | | | | |
| 16 | 1 | 24311-000120 | O-RING, 1AP12.0 | 2 | 2 | 2 | | | | | |

OCD10-M39301

Fig.13. AIR CLEANER

D19247-93100
 D19647-93100
 D19647-53110



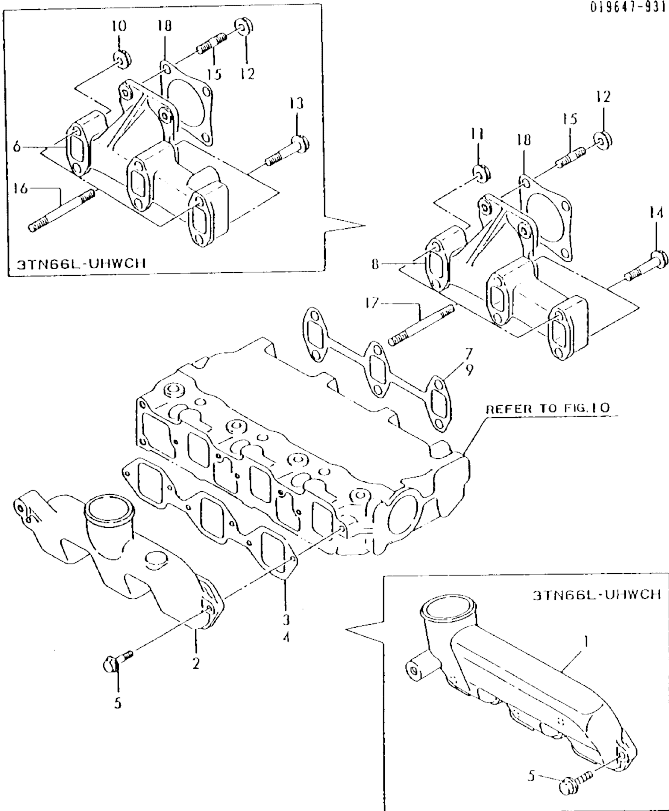
| No. | Lev. | Parts No. | Description | Q'ty | | | | | | I | R |
|-----|------|--------------|---------------------------------|------|-----|-----|-----|-----|-----|---|---|
| | | | | (A) | (B) | (C) | (D) | (E) | (F) | | |
| 1 | 1 | 171033-12500 | CLEANER ASSY, AIR | | | | | | | | |
| 1-1 | 1 | 121465-12500 | CLEANER ASSY, AIR (C=E18586) | 1 | 1 | 1 | | | | | R |
| 2 | 2 | 171033-12510 | ELEMENT | | 1 | 1 | 1 | | | | |
| 2-1 | 2 | 121465-12510 | ELEMENT (C=E18586) | | | | 1 | | | | R |
| 3 | 2 | 171033-12540 | CASE ASSY, CLEANER | | 1 | 1 | 1 | | | | |
| 3-1 | 2 | 121465-12650 | CASE ASSY (C=E18586) | | | | 1 | | | | R |
| 4 | 2 | 171033-12560 | PAN ASSY, DUST | | 1 | 1 | 1 | | | | |
| 4-1 | 2 | 121465-12660 | PAN, DUST (C=E18586) | | | | 1 | | | | R |
| 5 | 2 | 124064-12680 | BOLT | | 1 | 1 | 1 | | | | |
| 6 | 2 | 124064-12690 | WASHER | | 1 | 1 | 1 | | | | |
| 7 | 2 | 121465-12700 | RETAINER, ELEMENT | | 1 | 1 | 1 | | | | |

N:Old $\frac{New}{Old}$ New, Q:Old $\frac{New}{Old}$ New, R:Old $\frac{New}{Old}$ New, S:Old $\frac{New}{Old}$ New, W:Add, Z:Discontinued, F:Interchangeable by set, K:Qty Change
 Copyright (C) YANMAR CO., LTD. All Rights Reserved.

OCD10-M39301

Fig.14. SUCTION & EXHAUST MANIFOLD

019225-12200
 019620-12200
 019260-13100
 019600-13200
 019247-93100
 019647-93100
 019647-93110



REFER TO FIG.10

(A)=3TN66L-UHW
 (B)=3TNA68L-UHW
 (C)=3TNA72L-UHW

(D)=
 (E)=
 (F)=

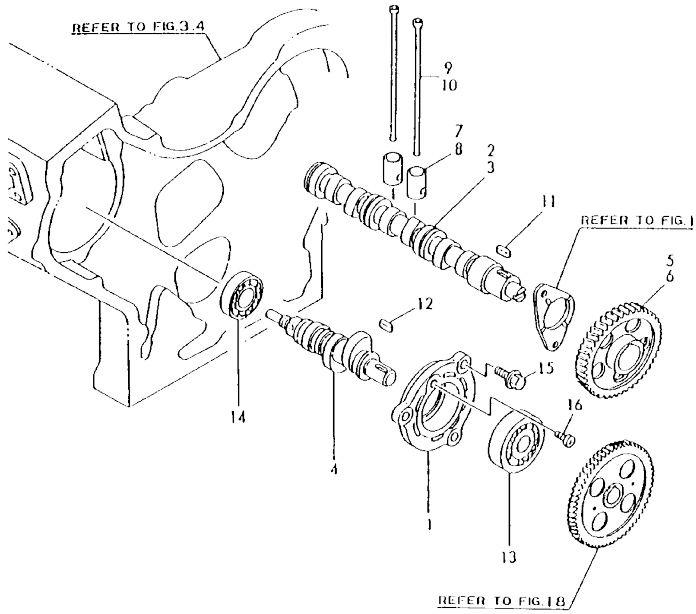
| No. | Lev. | Parts No. | Description | Q'ty | | | | | | I | R |
|-----|------|--------------|----------------------|------|-----|-----|-----|-----|-----|---|---|
| | | | | (A) | (B) | (C) | (D) | (E) | (F) | | |
| 1 | 1 | 119260-12100 | MANIFOLD, AIR INTAKE | 1 | | | | | | | |
| 2 | 1 | 119620-12101 | MANIFOLD, AIR INTAKE | | 1 | 1 | | | | | |
| 3 | 1 | 119260-12110 | GASKET, MANIFOLD | 1 | | | | | | | |
| 3-1 | 1 | 119260-12111 | GASKET, MANIFOLD | 1 | | | | | | | N |
| 4 | 1 | 119620-12110 | GASKET, MANIFOLD | | 1 | 1 | | | | | |
| 4-1 | 1 | 119620-12111 | GASKET, MANIFOLD | | 1 | 1 | | | | | N |
| 5 | 1 | 26106-060202 | BOLT, M6X 20 PLATED | 4 | 6 | 6 | | | | | |
| 6 | 1 | 119260-13100 | MANIFOLD, EXHAUST | 1 | | | | | | | |
| 7 | 1 | 119260-13110 | GASKET | 1 | | | | | | | |
| 8 | 1 | 119600-13100 | MANIFOLD, EXHAUST | | | | 1 | 1 | | | |
| 9 | 1 | 119620-13110 | GASKET | | | | 1 | 1 | | | |
| 10 | 1 | 26366-060002 | NUT, M6 | 2 | | | | | | | |
| 11 | 1 | 194990-22050 | NUT, M8 | | 2 | 2 | | | | | |
| 12 | 1 | 194990-22050 | NUT, M8 | 4 | 4 | 4 | | | | | |
| 13 | 1 | 26106-060352 | BOLT, M6X 35 PLATED | 4 | | | | | | | |
| 14 | 1 | 26106-080402 | BOLT, M8X 40 PLATED | | | | 4 | 4 | | | |
| 15 | 1 | 26216-080222 | STUD, M8X 22 | 4 | 4 | 4 | | | | | |
| 16 | 1 | 26216-060402 | STUD, M6X 40 | 2 | | | | | | | |
| 17 | 1 | 26216-080552 | STUD, M8X 55 | | | | 2 | 2 | | | |
| 18 | 1 | 121000-13200 | GASKET, SILENCER | 1 | 1 | 1 | | | | | |

N:Old $\frac{New}{Old}$ New, Q:Old $\frac{New}{Old}$ New, R:Old $\frac{New}{Old}$ New, S:Old $\frac{New}{Old}$ New, W:Add, Z:Discontinued, F:Interchangeable by set, K:Qty Change
 Copyright (C) YANMAR CO., LTD. All Rights Reserved.

OCD10-M39301

Fig.15. CAMSHAFT

019260-14100
 019660-14101
 019260-14200



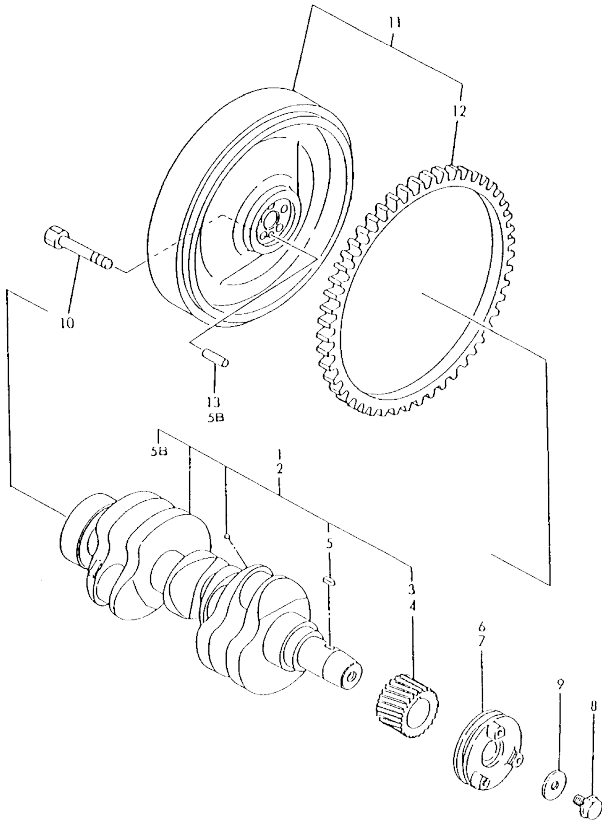
(A)=3TN66L-UHW (D)=
 (B)=3TN66L-UHW (E)=
 (C)=3TN66L-UHW (F)=

| No. | Lev. | Parts No. | Description | Q'ty | | | | | |
|-----|------|--------------|---------------------|------|-----|-----|-----|-----|-----|
| | | | | (A) | (B) | (C) | (D) | (E) | (F) |
| 1 | 1 | 119660-01821 | BEARING, FUEL CAM | 1 | 1 | 1 | | | |
| 2 | 1 | 119260-14010 | CAMSHAFT | 1 | | | | | |
| 3 | 1 | 119620-14010 | CAMSHAFT | | 1 | 1 | | | |
| 4 | 1 | 119660-14092 | CAMSHAFT | 1 | 1 | 1 | | | |
| 5 | 1 | 119260-14100 | GEAR, CAMSHAFT | 1 | | | | | |
| 6 | 1 | 119620-14100 | GEAR, CAMSHAFT | | 1 | 1 | | | |
| 7 | 1 | 119260-14200 | TAPPET | | 6 | | | | |
| 8 | 1 | 119620-14200 | TAPPET | | | 6 | 6 | | |
| 9 | 1 | 119260-14400 | ROD, PUSH | | 6 | | | | |
| 10 | 1 | 119620-14400 | ROD, PUSH | | | 6 | 6 | | |
| 11 | 1 | 22512-040120 | KEY, 4X 12 | 1 | 1 | 1 | | | |
| 12 | 1 | 22512-040120 | KEY, 4X 12 | 1 | 1 | 1 | | | |
| 13 | 1 | 24101-062034 | BEARING, BALL 6203 | 1 | 1 | 1 | | | |
| 14 | 1 | 24102-063034 | BEARING, BALL 6303U | 1 | 1 | 1 | | | |
| 15 | 1 | 26106-060162 | BOLT, M6X 16 PLATED | 3 | 3 | 3 | | | |
| 16 | 1 | 26587-080102 | SCREW, M8X10 | 1 | 1 | 1 | | | |

OCD10-M39301

Fig.16. CRANKSHAFT & FLYWHEEL

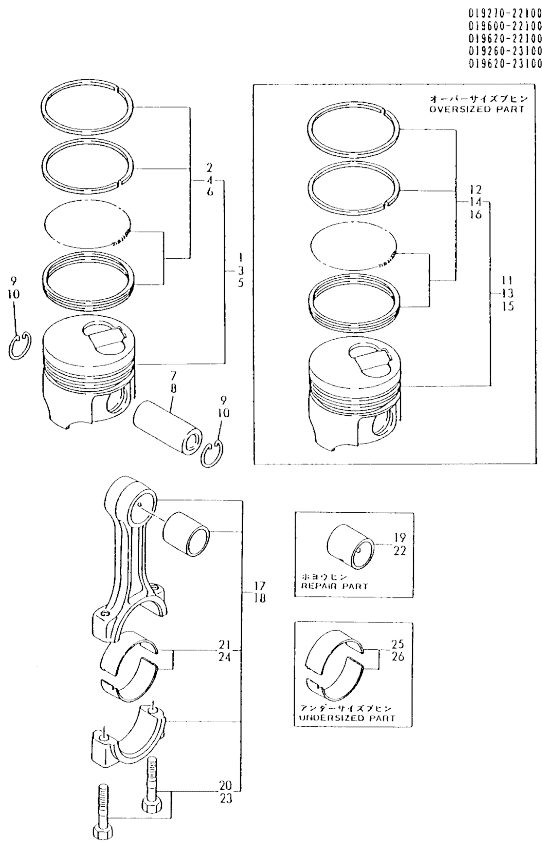
019260-21100
 019660-21101
 019260-21300
 019643-21300
 019600-21210
 019643-21200



| No. | Lev. | Parts No. | Description | Q'ty | | | | | | I | R |
|------|------|--------------|----------------------|------|-----|-----|-----|-----|-----|---|---|
| | | | | (A) | (B) | (C) | (D) | (E) | (F) | | |
| 1 | 1 | 719260-21700 | CRANKSHAFT ASSY | 1 | | | | | | | |
| 2 | 1 | 719660-21701 | CRANKSHAFT ASSY | | 1 | 1 | | | | | |
| 2-1 | 1 | 719660-21700 | CRANKSHAFT ASSY | | 1 | 1 | | | | | N |
| 3 | 2 | 119260-21200 | GEAR, CRANKSHAFT | 1 | | | | | | | |
| 4 | 2 | 119660-21201 | GEAR, CRANKSHAFT | | 1 | 1 | | | | | |
| 5 | 2 | 22512-040120 | KEY, 4X 12 | | 1 | 1 | 1 | | | | |
| 5B | 2 | 129100-01580 | PIN, M8X16 | | 1 | 1 | 1 | | | | W |
| 6 | 1 | 119260-21650 | V-PULLEY | 1 | | | | | | | |
| 7 | 1 | 119649-21650 | V-PULLEY | | 1 | 1 | | | | | |
| 8 | 1 | 119621-21680 | BOLT, FLANGE 12X1.25 | | 1 | 1 | 1 | | | | |
| 9 | 1 | 119620-21941 | WASHER | | 1 | 1 | 1 | | | | |
| 10 | 1 | 121111-21501 | BOLT, FLYWHEEL | | 5 | 5 | 5 | | | | |
| 11 | 1 | 119643-21590 | FLYWHEEL ASSY | | 1 | 1 | 1 | | | | |
| 11-1 | 1 | 119600-21580 | FLYWHEEL ASSY | | | | 1 | | | | N |
| 12 | 2 | 119865-21600 | GEAR, RING | | 1 | 1 | 1 | | | | |
| 13 | 1 | 129100-01580 | PIN, M8X16 | | 1 | 1 | 1 | | | | Z |

N:Old $\frac{New}{Old}$ New, Q:Old $\frac{New}{Old}$ New, R:Old $\frac{New}{Old}$ New, S:Old $\frac{New}{Old}$ New, W:Add, Z:Discontinued, F:Interchangeable by set, K:Q'ty Change
 Copyright (C) YANMAR CO., LTD. All Rights Reserved.

Fig.17. PISTON & CONNECTING ROD

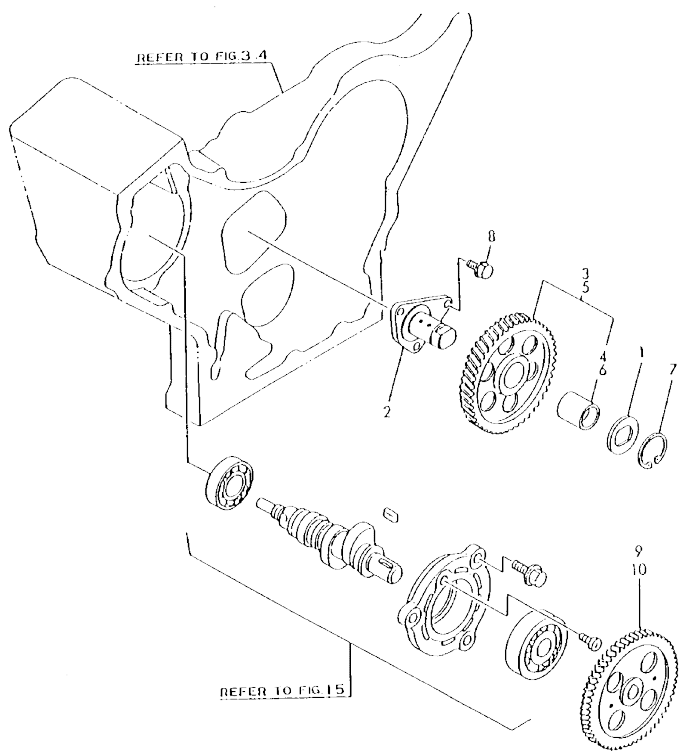


| No. | Lev. | Parts No. | Description | Q'ty | | | | | | I | R |
|-------------|------|--------------|----------------------|------|-----|-----|-----|-----|-----|---|---|
| | | | | (A) | (B) | (C) | (D) | (E) | (F) | | |
| 1 | 1 | 119270-22090 | PISTON ASSY | 3 | | | | | | | |
| 1-1 | 1 | 119270-22091 | PISTON ASSY | 3 | | | | | | | N |
| (A=1987.07) | | | | | | | | | | | |
| 2 | 2 | 719270-22500 | RING SET, PISTON | 3 | | | | | | | |
| 2-1 | 2 | 719270-22501 | RING SET, PISTON | 3 | | | | | | | N |
| (A=1987.07) | | | | | | | | | | | |
| 3 | 1 | 119600-22091 | PISTON ASSY | 3 | | | | | | | |
| 3-1 | 1 | 119600-22092 | PISTON ASSY | 3 | | | | | | | N |
| (B=E07233) | | | | | | | | | | | |
| 4 | 2 | 719600-22501 | RING SET, PISTON | 3 | | | | | | | |
| 4-1 | 2 | 719630-22502 | RING SET, PISTON | 3 | | | | | | | N |
| (B=E07233) | | | | | | | | | | | |
| 5 | 1 | 119620-22090 | PISTON ASSY | | | | 3 | | | | |
| 6 | 2 | 719620-22500 | RING SET, PISTON | | | | 3 | | | | |
| 7 | 1 | 119260-22300 | PIN, PISTON | 3 | | | | | | | |
| 8 | 1 | 119620-22300 | PIN, PISTON | | | 3 | 3 | | | | |
| 9 | 1 | 105225-22400 | CIRCLIP | | 6 | | | | | | |
| 10 | 1 | 22252-000210 | RING, 21 | | 6 | 6 | | | | | |
| 11 | 1 | 719270-22820 | PISTON ASSY, 0.25 OS | 3 | | | | | | | 1 |
| 12 | 2 | 719270-22540 | RING SET, 0.25 OS | 3 | | | | | | | 1 |
| 13 | 1 | 719600-22820 | PISTON ASSY, 0.25 OS | | | 3 | | | | | 1 |
| 14 | 2 | 719600-22540 | RING SET, 0.25 OS | | | 3 | | | | | 1 |
| 15 | 1 | 719620-22820 | PISTON ASSY, 0.25 OS | | | | 3 | | | | 1 |
| 16 | 2 | 719620-22540 | RING SET, 0.25 OS | | | | 3 | | | | 1 |
| 17 | 1 | 719260-23100 | ROD ASSY, CONNECTING | 3 | | | | | | | |
| 18 | 1 | 719620-23100 | ROD ASSY, CONNECTING | | 3 | 3 | | | | | |
| 19 | 2 | 119260-23910 | BEARING, PISTON PIN | 3 | | | | | | | 2 |
| 20 | 2 | 119260-23200 | BOLT, CONNECTING ROD | 6 | | | | | | | |
| 21 | 2 | 719260-23600 | BEARING, CRANK PIN | 3 | | | | | | | |
| 22 | 2 | 119620-23910 | BEARING, PISTON PIN | | 3 | 3 | | | | | 2 |
| 23 | 2 | 105225-23200 | BOLT, CONNECTING ROD | | 6 | 6 | | | | | |
| 24 | 2 | 719620-23600 | BEARING, CRANK PIN | | 3 | 3 | | | | | |
| 25 | 1 | 719260-23610 | BEARING ASSY, 0.25 | 3 | | | | | | | 3 |
| 26 | 1 | 719620-23610 | BEARING ASSY, 0.25 | | 3 | 3 | | | | | 3 |

Remarks
(1)OVER-SIZE PART.
(2)REPAIR PART.
(3)UNDER-SIZE PART.

Fig.18. IDLE GEAR & FUEL PUMP GEAR

D19260-25100
 D19660-25101
 D19225-25200
 D19660-25201



(A)=3TN66L-UHW (D)=
 (B)=3TNA68L-UHW (E)=
 (C)=3TNA72L-UHW (F)=

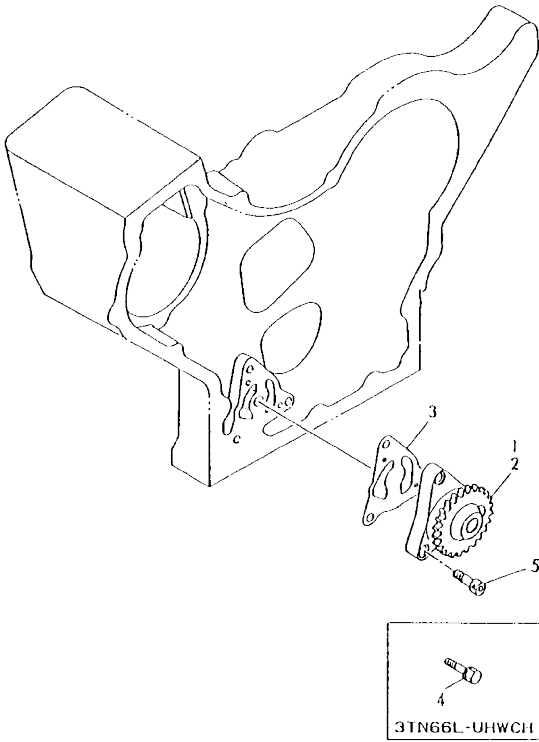
| No. | Lev. | Parts No. | Description | Q'ty | | | | | | I | R |
|-----|------|--------------|---------------------|------|-----|-----|-----|-----|-----|---|---|
| | | | | (A) | (B) | (C) | (D) | (E) | (F) | | |
| 1 | 1 | 119660-25022 | RETAINER | 1 | 1 | 1 | | | | | |
| 2 | 1 | 119660-25052 | SHAFT, IDLE | 1 | 1 | 1 | | | | | |
| 3 | 1 | 119260-25100 | GEAR ASSY, IDLE | 1 | | | | | | | |
| 4 | 2 | 119620-25912 | BUSH | 1 | | | | | | | 1 |
| 5 | 1 | 119620-25102 | GEAR ASSY, IDLE | | 1 | 1 | | | | | |
| 6 | 2 | 119620-25912 | BUSH | | 1 | 1 | | | | | 1 |
| 7 | 1 | 22242-000200 | RING, 20 | 1 | 1 | 1 | | | | | |
| 8 | 1 | 26106-060122 | BOLT, M6X 12 PLATED | 3 | 3 | 3 | | | | | |
| 9 | 1 | 119260-25900 | GEAR, PUMP | 1 | | | | | | | |
| 10 | 1 | 119660-25902 | GEAR, PUMP | 1 | 1 | | | | | | |

Remarks
 (1)REPAIR PART.

OCD10-M39301

Fig.19. LUB.OIL PUMP

019260-32100
019660-32100



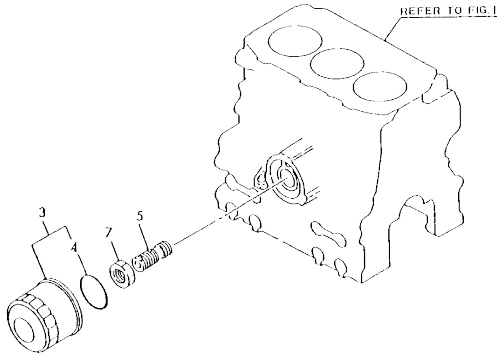
(A)=3TN66L-UHW
(B)=3TNA68L-UHW
(C)=3TNA72L-UHW
(D)=
(E)=
(F)=

| No. | Lev. | Parts No. | Description | Q'ty | | | | | |
|-----|------|--------------|----------------|------|-----|-----|-----|-----|-----|
| | | | | (A) | (B) | (C) | (D) | (E) | (F) |
| 1 | 1 | 119260-32000 | PUMP ASSY, OIL | 1 | | | | | |
| 2 | 1 | 119660-32001 | PUMP ASSY, OIL | | 1 | 1 | | | |
| 3 | 1 | 119660-32020 | GASKET, PUMP | 1 | 1 | 1 | | | |
| 4 | 1 | 26013-060202 | BOLT, M6X 20 | 3 | | | | | |
| 5 | 1 | 26450-060202 | BOLT, M6X 20 | | 3 | 3 | | | |

OCD10-M39301

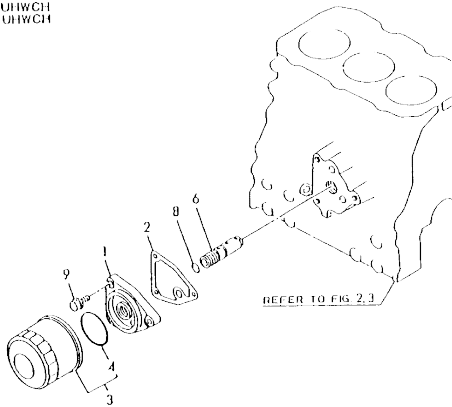
Fig.20. LUB.OIL STRAINER

019260-35100
019600-35100



31N66L-UHWCH

31NA68L-UHWCH
31NA72L-UHWCH



REFER TO FIG. 2.1

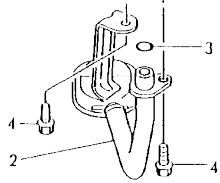
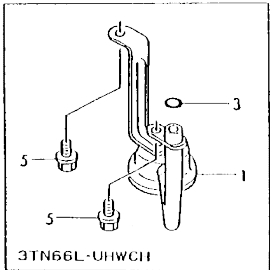
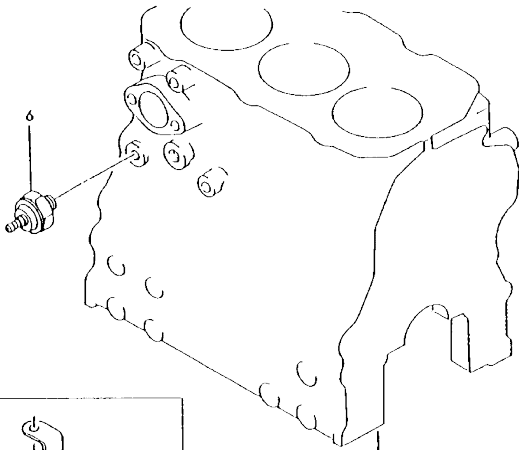
(A)=3TN66L-UHW (D)=
(B)=3TN68L-UHW (E)=
(C)=3TN72L-UHW (F)=

| No. | Lev. | Parts No. | Description | Qty | | | | | | |
|-----|------|--------------|-------------------------|-----|-----|-----|-----|-----|-----|---|
| | | | | (A) | (B) | (C) | (D) | (E) | (F) | |
| 1 | 1 | 119660-35102 | BRACKET, FILTER | | 1 | 1 | | | | |
| 2 | 1 | 119660-35112 | GASKET | | 1 | 1 | | | | |
| 2-1 | 1 | 119660-35113 | GASKET | | 1 | 1 | | | | N |
| | | | (B=1990.01) (C=1990.01) | | | | | | | |
| 3 | 1 | 119660-35150 | FILTER, LUB. OIL | | 1 | 1 | 1 | | | |
| 4 | 2 | 124450-35110 | O-RING | | 1 | 1 | 1 | | | |
| 5 | 1 | 119225-35300 | VALVE ASSY,OIL PRESS | | 1 | | | | | |
| 6 | 1 | 119660-35300 | VALVE ASSY, CONTROL | | | 1 | 1 | | | |
| 7 | 1 | 129150-35350 | NUT | | 1 | 1 | 1 | | | |
| 8 | 1 | 24311-000160 | O-RING, 1AP16.0 | | | 1 | 1 | | | |
| 9 | 1 | 26106-080202 | BOLT, M8X 20 PLATED | | 3 | 3 | | | | |

OCD10-M39301

Fig.21. LUB.OIL SUCTION PIPE

019260-35220
 019600-35200
 019600-39100

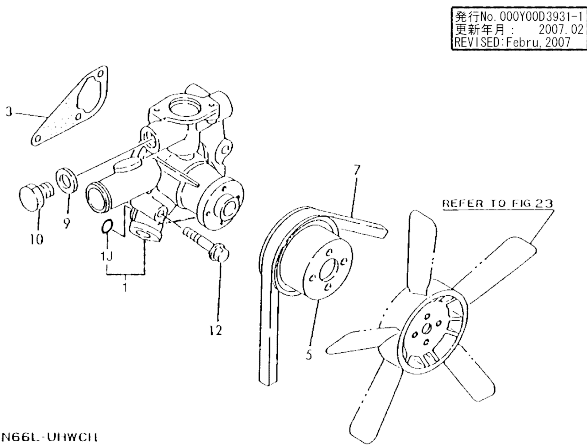


(A)=3TN66L-UHW
 (B)=3TNA68L-UHW
 (C)=3TNA72L-UHW
 (D)=
 (E)=
 (F)=

| No. | Lev. | Parts No. | Description | Q'ty | | | | | |
|-----|------|--------------|----------------------|------|-----|-----|-----|-----|-----|
| | | | | (A) | (B) | (C) | (D) | (E) | (F) |
| 1 | 1 | 119260-35081 | PIPE, OIL INLET | 1 | | | | | |
| 2 | 1 | 119600-35091 | PIPE ASSY, OIL INLET | | 1 | 1 | | | |
| 3 | 1 | 24311-000120 | O-RING, 1AP12.0 | 1 | 1 | 1 | | | |
| 4 | 1 | 26106-060102 | BOLT, M6X 10 PLATED | | | 2 | 2 | | |
| 5 | 1 | 26106-060122 | BOLT, M6X 12 PLATED | 2 | | | | | |
| 6 | 1 | 124160-39450 | SWITCH, 0.5KG | 1 | 1 | 1 | | | |

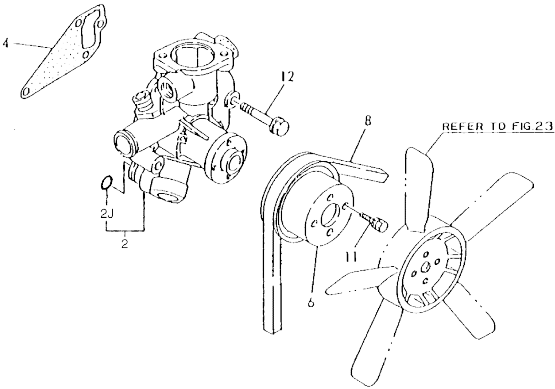
OCD10-M39301

Fig.22. COOLING WATER PUMP



3TN66L-UHWC11

3TNA66L-UHWC11
3TNA72L-UHWC11



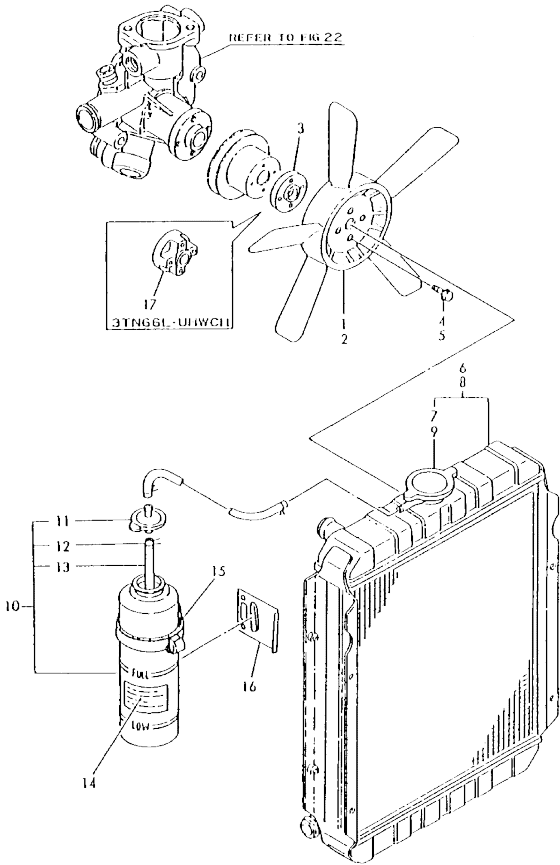
| No. | Lev. | Parts No. | Description | Q'ty | | | | | | I | R |
|-------------------------|------|--------------|---------------------|------|-----|-----|-----|-----|-----|---|---|
| | | | | (A) | (B) | (C) | (D) | (E) | (F) | | |
| 1 | 1 | 119260-42000 | PUMP ASSY, WATER | 1 | | | | | | | |
| 1-1 | 1 | 119260-42001 | PUMP ASSY, WATER | 1 | | | | | | | N |
| (A=1990.06) | | | | | | | | | | | |
| 1J | 2 | 119225-42320 | O-RING | 1 | | | | | | | |
| 2 | 1 | 119660-42003 | PUMP ASSY, WATER | | 1 | 1 | | | | | |
| 2-1 | 1 | 119660-42004 | PUMP ASSY, WATER | | 1 | 1 | | | | | N |
| (B=1990.01) (C=1990.01) | | | | | | | | | | | |
| 2J | 2 | 119620-42320 | O-RING | | 1 | 1 | | | | | |
| 3 | 1 | 119260-42020 | GASKET, WATER PUMP | 1 | | | | | | | |
| 4 | 1 | 119620-42020 | GASKET, WATER PUMP | | 1 | 1 | | | | | |
| 5 | 1 | 119620-42350 | V-PULLEY | 1 | | | | | | | |
| 6 | 1 | 119660-42350 | V-PULLEY | | 1 | 1 | | | | | |
| 7 | 1 | 104514-42780 | V-BELT, HM33 | 1 | | | | | | | |
| 8 | 1 | 119620-42291 | V-BELT, FM34.5 | | 1 | 1 | | | | | |
| 8-1 | 1 | 119650-42291 | V-BELT, 35 | | 1 | 1 | | | | | N |
| (B=E05505) (C=E15989) | | | | | | | | | | | |
| 9 | 1 | 23414-160021 | GASKET, 16X1.0 | 1 | | | | | | | |
| 10 | 1 | 23887-160002 | PLUG, 16 | 1 | | | | | | | |
| 10-1 | 1 | 121450-42450 | PLUG, M16 | 1 | | | | | | | N |
| (A=1987.04) | | | | | | | | | | | |
| 11 | 1 | 26014-060122 | BOLT, M6X 12 | | 4 | 4 | | | | | Z |
| (B=E05505) (C=E05505) | | | | | | | | | | | |
| 12 | 1 | 26106-080452 | BOLT, M8X 45 PLATED | 3 | 4 | 4 | | | | | |

N:Old $\frac{100}{100}$ New, Q:Old $\frac{100}{100}$ New, R:Old $\frac{100}{100}$ New, S:Old $\frac{100}{100}$ New, W:Add, Z:Discontinued, F:Interchangeable by set, K:Q'ty Change
Copyright (C) YANMAR CO., LTD. All Rights Reserved.

OCD10-M39301

Fig.23. RADIATOR & FAN

013247-47300
 013645-44400
 013247-93100
 013641-93100
 013647-93110

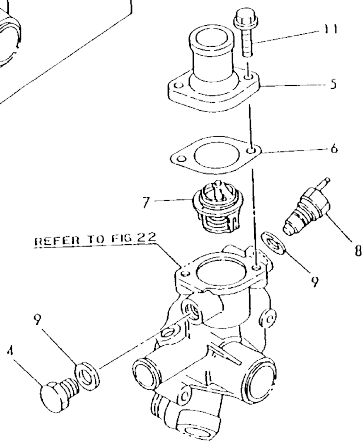
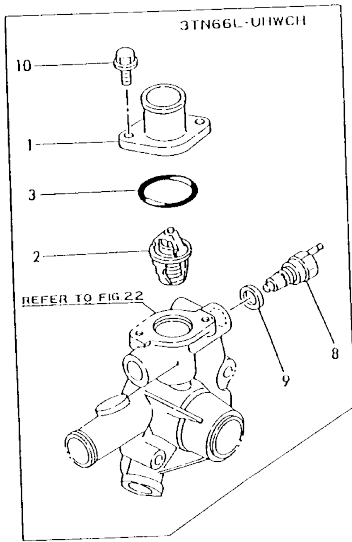


| No. | Lev. | Parts No. | Description | Q'ty | | | | | | I | R |
|----------|------|--------------|---------------------|------|-----|-----|-----|-----|-----|---|---|
| | | | | (A) | (B) | (C) | (D) | (E) | (F) | | |
| 1 | 1 | 121023-44740 | FAN, COOLING | | | | | | | | |
| 2 | 1 | 124700-44740 | FAN, COOLING 5X310 | | | | | 1 | 1 | | |
| 3 | 1 | 124574-44761 | SPACER, FAN | | | | | 1 | 1 | | |
| 4 | 1 | 26106-060352 | BOLT, M6X 35 PLATED | | 4 | | | | | | |
| 5 | 1 | 26106-060202 | BOLT, M6X 20 PLATED | | | 4 | 4 | | | | |
| 6 | 1 | 119260-44500 | RADIATOR | | 1 | | | | | | |
| 7 | 2 | 123682-44210 | CAP, RADIATOR | | 1 | | | | | | |
| 8 | 1 | 171002-44502 | RADIATOR | | | 1 | 1 | | | | |
| 9 | 2 | 123682-44210 | CAP, RADIATOR | | | 1 | 1 | | | | |
| 10 | 1 | 121450-44510 | TANK ASSY, SUB | | 1 | 1 | 1 | | | | |
| 11 | 2 | 121450-44530 | CAP | | 1 | 1 | 1 | | | | |
| 12 | 2 | 124450-44560 | RETAINER | | 1 | 1 | 1 | | | | |
| 13 | 2 | 23065-070180 | PIPE, 7X 180 | | 1 | 1 | 1 | | | | |
| 14 | 1 | 121470-44540 | LABEL, SUB-TANK | | 1 | 1 | 1 | | | | |
| 14-1 | 1 | 121470-44540 | LABEL, SUB-TANK | | | | 1 | | | | Z |
| (C=EXXX) | | | | | | | | | | | |
| 15 | 1 | 124450-44550 | BAND | | 1 | 1 | 1 | | | | |
| 16 | 1 | 121256-44600 | BRACKET, SUB TANK | | 1 | 1 | 1 | | | | |
| 17 | 1 | 171353-44760 | SPACER, FAN | | 1 | | | | | | |

OCD10-M39301

Fig.24. THERMOSTAT

019260-49200
 019600-49200
 019260-49600

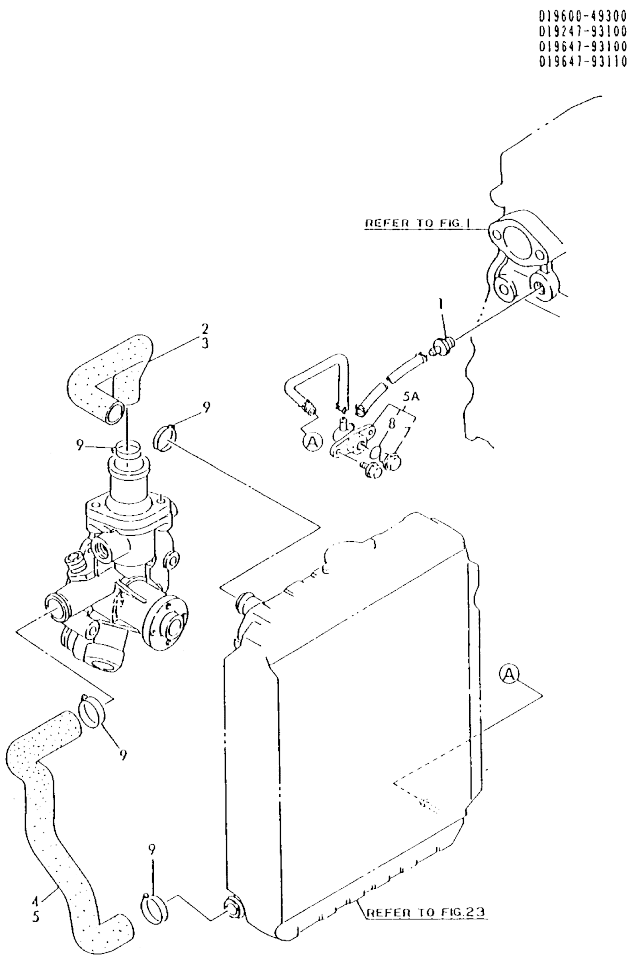


| No. | Lev. | Parts No. | Description | Q'ty | | | | | | I | R | |
|-----|------|--------------|-------------------------|------|-----|-----|-----|-----|-----|---|---|--|
| | | | | (A) | (B) | (C) | (D) | (E) | (F) | | | |
| 1 | 1 | 119260-49530 | COVER, THERMOSTAT | 1 | | | | | | | | |
| 2 | 1 | 119260-49800 | THERMOSTAT, 71 | 1 | | | | | | | | |
| 3 | 1 | 24321-000350 | O-RING, 1AG35.0 | 1 | | | | | | | | |
| 4 | 1 | 121450-42450 | PLUG, M16 | | 1 | 1 | | | | | | |
| 5 | 1 | 129350-49530 | COVER, THERMOSTAT | | 1 | 1 | | | | | | |
| 6 | 1 | 129350-49540 | GASKET | | 1 | 1 | | | | | | |
| 6-1 | 1 | 129350-49541 | GASKET | | 1 | 1 | | | | | N | |
| | | | (B=1990.01) (C=1990.01) | | | | | | | | | |
| 7 | 1 | 129350-49800 | THERMOSTAT, 71 | | 1 | 1 | | | | | | |
| 8 | 1 | 121250-44901 | SWITCH, 110 | | 1 | 1 | 1 | | | | | |
| 9 | 1 | 124465-44950 | GASKET, 16 | | 1 | 2 | 2 | | | | | |
| 10 | 1 | 26106-060182 | BOLT, M6X 18 PLATED | | 2 | | | | | | | |
| 11 | 1 | 26106-080202 | BOLT, M8X 20 PLATED | | 2 | 2 | | | | | | |

N:Old $\frac{100}{100}$ New. Q:Old $\frac{100}{100}$ New. R:Old $\frac{100}{100}$ New. S:Old $\frac{100}{100}$ New. W:Add. Z:Discontinued. F:Interchangeable by set. K:Q'ty Change
 Copyright (C) YANMAR CO., LTD. All Rights Reserved.

OCD10-M39301

Fig.25. COOLING WATER LINE



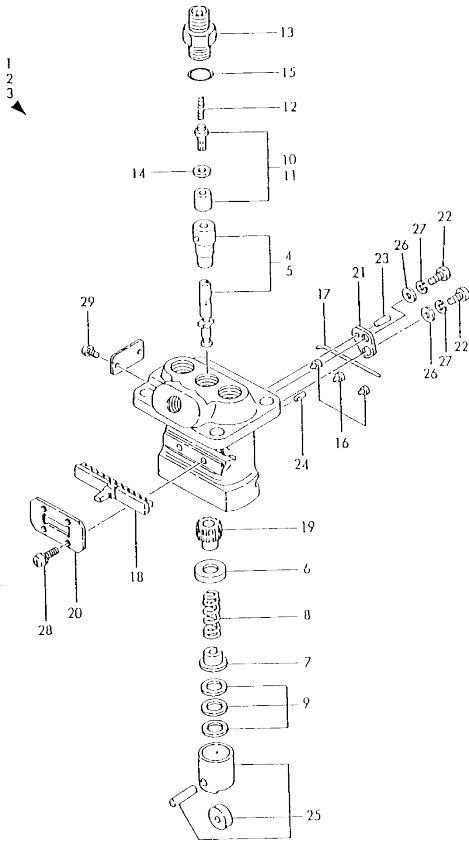
| No. | Lev. | Parts No. | Description | Q'ty | | | | | | I | R |
|-----|------|------------------------------------|------------------|------|-----|-----|-----|-----|-----|---|---|
| | | | | (A) | (B) | (C) | (D) | (E) | (F) | | |
| 1 | 1 | 121550-49111 | JOINT, PT1/4 | 1 | 1 | 1 | | | | | |
| 2 | 1 | 119288-49010 | PIPE, WATER | 1 | | | | | | | |
| 3 | 1 | 119688-49010 | PIPE, WATER | | 1 | 1 | | | | | |
| 4 | 1 | 119280-49020 | PIPE, WATER | 1 | | | | | | | |
| 5 | 1 | 119645-49020 | PIPE, WATER | | 1 | 1 | | | | | |
| 5A | 1 | 121450-49110 | COCK ASSY, 3-WAY | 1 | 1 | 1 | | | | | W |
| | | (A=1988,06) (B=1988,06) (C=E21755) | | | | | | | | | |
| 7 | 2 | 121250-49121 | PLUG, DRAIN | 1 | 1 | 1 | | | | | |
| 8 | 2 | 24311-000160 | O-RING, 1AP16.0 | 1 | 1 | 1 | | | | | |
| 9 | 1 | 23010-038000 | CLAMP, 38 | 4 | 4 | 4 | | | | | |

N:Old $\frac{New}{Old}$ New. Q:Old $\frac{New}{Old}$ New. R:Old $\frac{New}{Old}$ New. S:Old $\frac{New}{Old}$ New. W:Add. Z:Discontinued. F:Interchangeable by set. K:Q'ty Change
 Copyright (C) YANMAR CO., LTD. All Rights Reserved.

OCD10-M39301

Fig.26. FUEL INJECTION PUMP

019225-51100
 019621-51100
 019660-51100



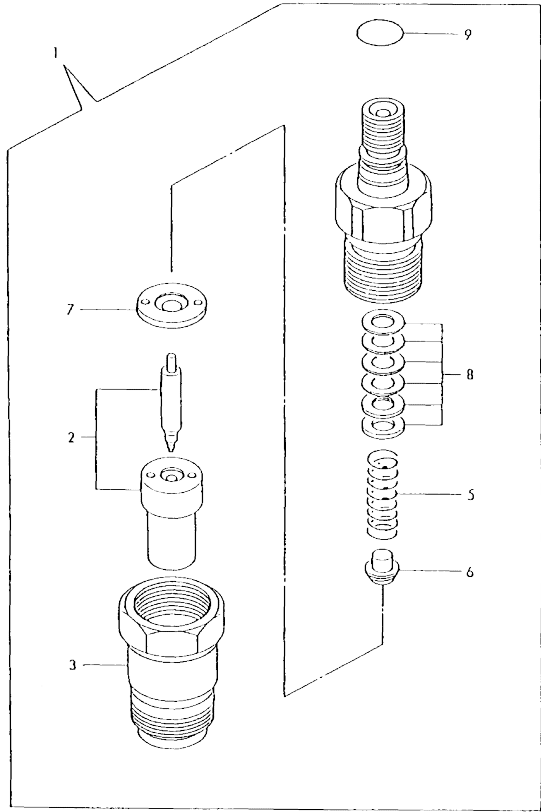
| No. | Lev. | Parts No. | Description | Q'ty | | | | | | I | R |
|-----|------|--------------|----------------------|------|-----|-----|-----|-----|-----|---|---|
| | | | | (A) | (B) | (C) | (D) | (E) | (F) | | |
| 1 | 1 | 719225-51100 | PUMP ASSY, INJECTION | 1 | | | | | | | |
| 2 | 1 | 719660-51100 | PUMP ASSY, INJECTION | | 1 | | | | | | |
| 3 | 1 | 719621-51100 | PUMP ASSY, INJECTION | | | 1 | | | | | |
| 4 | 2 | 119225-51100 | PLUNGER ASSY | | 3 | | | | | | |
| 5 | 2 | 119620-51101 | PLUNGER ASSY | | | 3 | 3 | | | | |
| 6 | 2 | 119620-51170 | RETAINER, SPRING A | | | 3 | 3 | 3 | | | |
| 7 | 2 | 119620-51180 | RETAINER, SPRING B | | | 3 | 3 | 3 | | | |
| 8 | 2 | 119620-51190 | SPRING, PLUNGER | | | 3 | 3 | 3 | | | |
| 9 | 2 | 119620-51250 | SHIM SET | | | 3 | 3 | 3 | | | |
| 10 | 2 | 119225-51300 | VALVE ASSY, DELIVERY | | 3 | | | | | | |
| 11 | 2 | 119620-51300 | VALVE ASSY, DELIVERY | | | 3 | 3 | | | | |
| 12 | 2 | 105546-51330 | SPRING, DELIVERY | | | 3 | 3 | 3 | | | |
| 13 | 2 | 119620-51340 | HOLDER, DELIVERY | | | 3 | 3 | 3 | | | |
| 14 | 2 | 119620-51350 | GASKET | | | 3 | 3 | 3 | | | |
| 15 | 2 | 119620-51370 | O-RING | | | 3 | 3 | 3 | | | |
| 16 | 2 | 119620-51450 | PIECE | | | 3 | 3 | 3 | | | |
| 17 | 2 | 119620-51461 | PIN | | | 1 | 1 | 1 | | | |
| 18 | 2 | 119660-51500 | RACK, CONTROL | | | 1 | 1 | 1 | | | |
| 19 | 2 | 119620-51510 | PINION | | | 3 | 3 | 3 | | | |
| 20 | 2 | 119660-51530 | RETAINER, RACK | | | 1 | 1 | 1 | | | |
| 21 | 2 | 119620-51650 | PLATE | | | 2 | 2 | 2 | | | |
| 22 | 2 | 119620-51660 | SCREW | | | 2 | 2 | 2 | | | |
| 23 | 2 | 119620-51670 | PIN | | | 2 | 2 | 2 | | | |
| 24 | 2 | 119620-51680 | PIN | | | 1 | 1 | 1 | | | |
| 25 | 2 | 119620-51700 | TAPPET ASSY | | | 3 | 3 | 3 | | | |
| 26 | 2 | 22137-040000 | WASHER, 4 | | | 2 | 2 | 2 | | | |
| 27 | 2 | 22217-040000 | WASHER, SPRING 4 | | | 2 | 2 | 2 | | | |
| 28 | 2 | 26022-040082 | SCREW, M4X 8 | | | 4 | 4 | 4 | | | |
| 29 | 2 | 26587-040102 | SCREW, M4X10 | | | 2 | 2 | 2 | | | |

N:Old $\frac{New}{100}$ New, Q:Old $\frac{New}{100}$ New, R:Old $\frac{New}{100}$ New, S:Old $\frac{New}{100}$ New, W:Add, Z:Discontinued, F:Interchangeable by set, K:Q'ty Change
 Copyright (C) YANMAR CO., LTD. All Rights Reserved.

OCD10-M39301

Fig.27. FUEL INJECTION VALVE

019620-53100

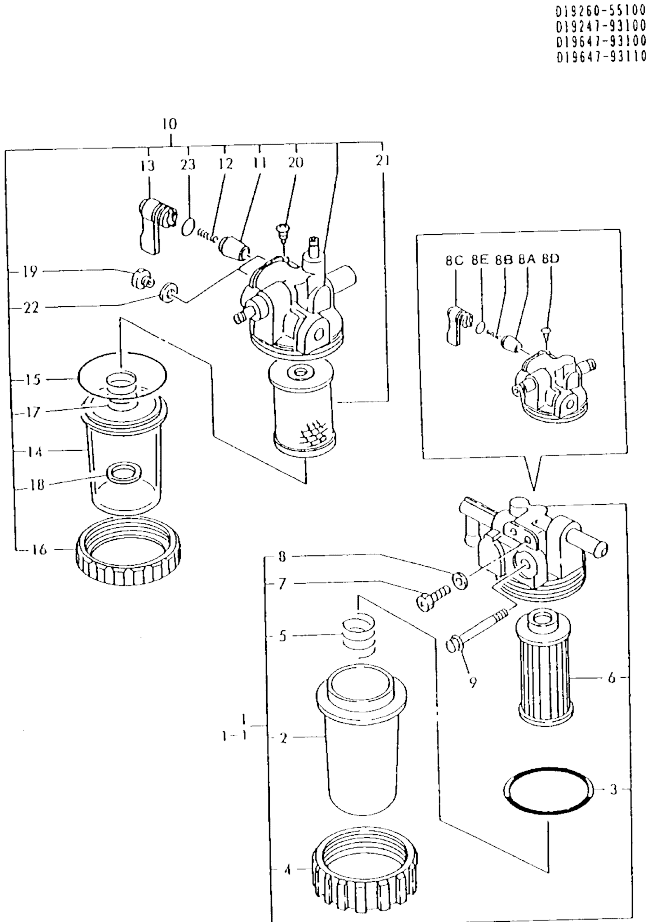


(A)=3TN66L-UHW (D)=
 (B)=3TNA68L-UHW (E)=
 (C)=3TNA72L-UHW (F)=

| No. | Lev. | Parts No. | Description | Q'ty | | | | | |
|-----|------|--------------|----------------------|------|-----|-----|-----|-----|-----|
| | | | | (A) | (B) | (C) | (D) | (E) | (F) |
| 1 | 1 | 719620-53100 | VALVE ASSY,INJECTION | 3 | 3 | 3 | | | |
| 2 | 2 | 119620-53000 | VALVE ASSY,INJECTION | 3 | 3 | 3 | | | |
| 3 | 2 | 119620-53080 | NUT, NOZZLE | 3 | 3 | 3 | | | |
| 5 | 2 | 119620-53120 | SPRING, NOZZLE | 3 | 3 | 3 | | | |
| 6 | 2 | 114250-53130 | SEAT, SPRING | 3 | 3 | 3 | | | |
| 7 | 2 | 119620-53140 | SPACER, VALVE STOP | 3 | 3 | 3 | | | |
| 8 | 2 | 114250-53400 | SHIM SET | 3 | 3 | 3 | | | |
| 9 | 2 | 129155-61830 | O-RING, S10 | 3 | 3 | 3 | | | |

OCD10-M39301

Fig.28. FUEL STRAINER



019260-55100
 019247-93100
 019647-93100
 019647-93110

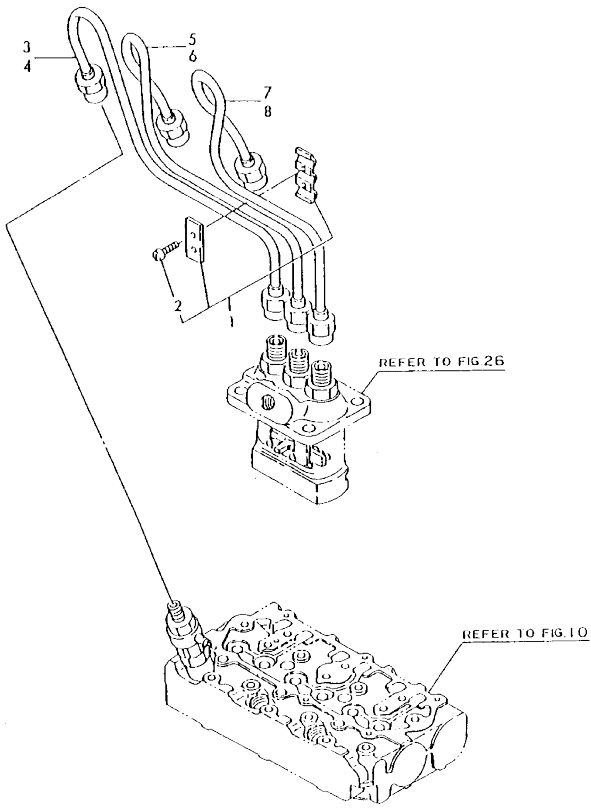
| No. | Lev. | Parts No. | Description | Qty | | | | | | I | R |
|------|------|--------------|---|-----|-----|-----|-----|-----|-----|---|---|
| | | | | (A) | (B) | (C) | (D) | (E) | (F) | | |
| 1 | 1 | 119225-55600 | FILTER ASSY, FUEL | | | | | | | | |
| 1-1 | 1 | 171059-55600 | FILTER ASSY, FUEL (C=E18586) | 1 | 1 | 1 | | | | | N |
| 2 | 2 | 121254-55510 | COVER | | 1 | 1 | 1 | | | | |
| 3 | 2 | 102103-55520 | O-RING | | 1 | 1 | 1 | | | | |
| 4 | 2 | 110250-55610 | RING, RETAINING | | 1 | 1 | 1 | | | | |
| 5 | 2 | 121250-55620 | SPRING | | 1 | 1 | 1 | | | | |
| 6 | 2 | 124550-55700 | FILTER, FUEL L=90 | | 1 | 1 | 1 | | | | |
| 7 | 2 | 101720-55750 | PLUG, 6 | | 2 | 2 | 2 | | | | |
| 8 | 2 | 23418-060000 | GASKET, 6X1.0 | | 2 | 2 | 2 | | | | |
| 8A | 2 | 104200-55321 | VALVE, TAPER (C=E18586) | | | | 1 | | | | W |
| 8B | 2 | 104200-55330 | SPRING, VALVE (C=E18586) | | | | 1 | | | | W |
| 8C | 2 | 104200-55341 | HANDLE (C=E18586) | | | | 1 | | | | W |
| 8D | 2 | 104200-55750 | SCREW, M4 (C=E18586) | | | | 1 | | | | W |
| 8E | 2 | 24311-240100 | O-RING, 1AP10A (C=E18586) | | | | 1 | | | | W |
| 9 | 1 | 26106-080652 | BOLT, M8X 65 PLATED | | 1 | 1 | 1 | | | | |
| 9-1 | 1 | 26014-080702 | BOLT, M8X 70 (A=1988.06) (B=1988.06) | | 1 | 1 | | | | | N |
| 10 | 1 | 121257-55700 | SEPARATOR, WATER | | 1 | 1 | 1 | | | | |
| 11 | 2 | 104200-55321 | VALVE, TAPER | | 1 | 1 | 1 | | | | |
| 12 | 2 | 104200-55330 | SPRING, VALVE | | 1 | 1 | 1 | | | | |
| 13 | 2 | 104200-55341 | HANDLE | | 1 | 1 | 1 | | | | |
| 14 | 2 | 121254-55510 | COVER | | 1 | 1 | 1 | | | | |
| 15 | 2 | 102103-55520 | O-RING | | 1 | 1 | 1 | | | | |
| 16 | 2 | 110250-55610 | RING, RETAINING | | 1 | 1 | 1 | | | | |
| 17 | 2 | 121257-55720 | SPRING | | 1 | 1 | 1 | | | | |
| 18 | 2 | 121257-57731 | FLOAT | | 1 | 1 | 1 | | | | M |
| 18-1 | 2 | 121257-55731 | FLOAT | | 1 | 1 | 1 | | | | |
| 19 | 2 | 101720-55750 | PLUG, 6 | | 2 | 2 | 2 | | | | |
| 20 | 2 | 104200-55750 | SCREW, M4 | | 1 | 1 | 1 | | | | |
| 21 | 2 | 171081-55910 | SCREEN | | 1 | 1 | 1 | | | | |
| 22 | 2 | 23418-060000 | GASKET, 6X1.0 | | 2 | 2 | 2 | | | | |
| 23 | 2 | 24311-240100 | O-RING, 1AP10A | | 1 | 1 | 1 | | | | |

N:Old $\frac{100}{100}$ New, Q:Old $\frac{100}{100}$ New, R:Old $\frac{100}{100}$ New, S:Old $\frac{100}{100}$ New, W:Add, Z:Discontinued, F:Interchangeable by set, K:Qty Change
 Copyright (C) YANMAR CO., LTD. All Rights Reserved.

OCD10-M39301

Fig.29. FUEL INJECTION LINE

019275-59100
013670-59100



(A)=3TN66L-UHW
(B)=3TNA68L-UHW
(C)=3TNA72L-UHW
(D)=
(E)=
(F)=

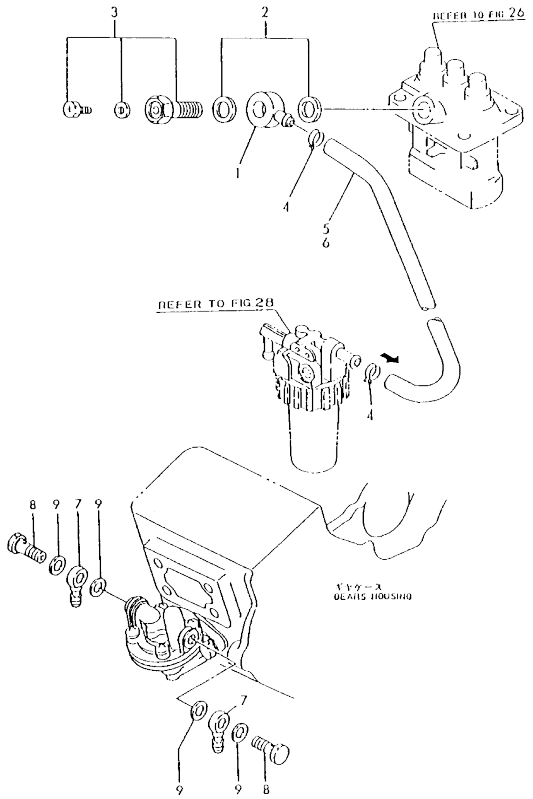
| No. | Lev. | Parts No. | Description | Q'ty | | | | | | I | R |
|-----|------|--------------------------|----------------------|------|-----|-----|-----|-----|-----|---|---|
| | | | | (A) | (B) | (C) | (D) | (E) | (F) | | |
| 1 | 1 | 129150-59120 | RETAINER, PIPE | 1 | 1 | 1 | | | | | |
| 2 | 2 | 129150-59130 | BOLT, M4X12 | 2 | 2 | 2 | | | | | |
| 3 | 1 | 119260-59810 | PIPE ASSY, INJECTION | 1 | | | | | | | |
| 3-1 | 1 | 119225-59810 | PIPE ASSY, INJECTION | 1 | | | | | | | N |
| | | (A=1987.09) | | | | | | | | | |
| 4 | 1 | 119620-59810 | PIPE ASSY, INJECTION | | 1 | 1 | | | | | |
| 4-1 | 1 | 119620-59811 | PIPE ASSY, INJECTION | | 1 | 1 | | | | | N |
| | | (B=E07233) (C=E15989) | | | | | | | | | |
| 5 | 1 | 119260-59820 | PIPE ASSY, INJECTION | 1 | | | | | | | |
| 6 | 1 | 119620-59820 | PIPE ASSY, INJECTION | | 1 | 1 | | | | | |
| 6-1 | 1 | 119620-59821 | PIPE ASSY, INJECTION | | 1 | 1 | | | | | N |
| | | (B=E07233) (C=E15989) | | | | | | | | | |
| 7 | 1 | 119260-59830 | PIPE ASSY, INJECTION | 1 | | | | | | | |
| 8 | 1 | 119620-59830 | PIPE ASSY, INJECTION | | 1 | 1 | | | | | |
| 8-1 | 1 | 119620-59831 | PIPE ASSY, INJECTION | | 1 | 1 | | | | | N |
| | | (B=E07233) (C=E15989) | | | | | | | | | |

N:Old $\frac{100}{100}$ New, Q:Old $\frac{100}{100}$ New, R:Old $\frac{100}{100}$ New, S:Old $\frac{100}{100}$ New, W:Add, Z:Discontinued, F:Interchangeable by set, K:Q'ty Change
Copyright (C) YANMAR CO., LTD. All Rights Reserved.

OCD10-M39301

Fig.30. FUEL LINE

013249-59200
 019640-59200
 019649-59200
 019647-93110



(A)=3TN66L-UHW
 (B)=3TN66L-UHW
 (C)=3TN66L-UHW
 (D)=
 (E)=
 (F)=

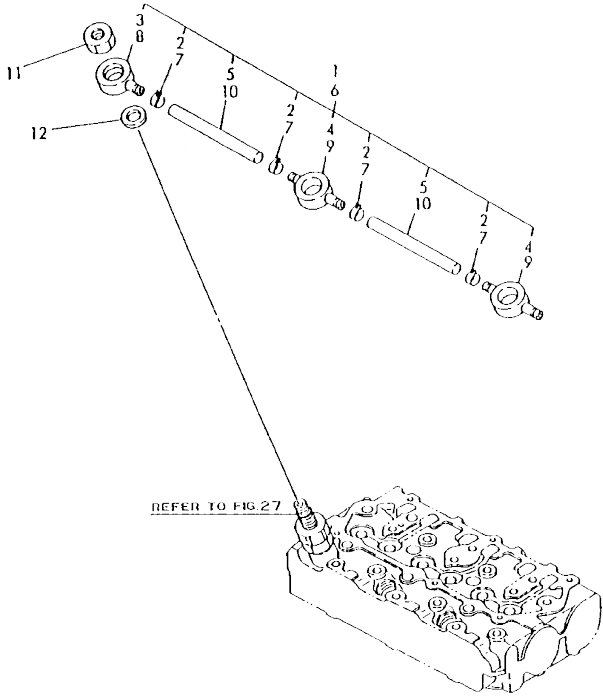
| No. | Lev. | Parts No. | Description | Q'ty | | | | | | I | R |
|-----|------|-----------------------------------|----------------------|------|-----|-----|-----|-----|-----|---|---|
| | | | | (A) | (B) | (C) | (D) | (E) | (F) | | |
| 1 | 1 | 129150-59020 | JOINT, PIPE | 1 | 1 | 1 | | | | | |
| 1-1 | 1 | 101304-59020 | JOINT, PIPE 12 | 1 | 1 | 1 | | | | | R |
| | | (A=1987.06) (B=E07233) (C=E15989) | | | | | | | | | |
| 2 | 1 | 104200-59170 | GASKET, 12 | 2 | 2 | 2 | | | | | |
| 3 | 1 | 103854-59191 | BOLT ASSY, JOINT M12 | 1 | 1 | 1 | | | | | |
| 4 | 1 | 124766-59050 | CLIP, HOSE 12 | 2 | 2 | 2 | | | | | |
| 4-1 | 1 | 124066-59100 | CLIP, HOSE 8 | | | 2 | | | | | S |
| | | (C=E18586) | | | | | | | | | |
| 5 | 1 | 121250-59080 | PIPE, FUEL D12X180 | | 1 | 1 | | | | | |
| 5-1 | 1 | 105225-59100 | PIPE, FUEL RETURN | | | 1 | | | | | S |
| | | (C=E18586) | | | | | | | | | |
| 6 | 1 | 124767-59080 | PIPE, FUEL | | 1 | | | | | | |
| 7 | 1 | 104264-59030 | JOINT, PIPE 8 | | | 2 | | | | | W |
| | | (C=E18586) | | | | | | | | | |
| 8 | 1 | 105582-59150 | BOLT, PIPE JOINT | | | 2 | | | | | W |
| | | (C=E18586) | | | | | | | | | |
| 9 | 1 | 23414-080012 | GASKET, 8X1.0 | | | 4 | | | | | W |
| | | (C=E18586) | | | | | | | | | |

N:Old $\frac{100}{100}$ New, Q:Old $\frac{100}{100}$ New, R:Old $\frac{100}{100}$ New, S:Old $\frac{100}{100}$ New, W:Add, Z:Discontinued, F:Interchangeable by set, K:Q'ty Change
 Copyright (C) YANMAR CO., LTD. All Rights Reserved.

OCD10-M39301

Fig.31. FUEL RETURN LINE

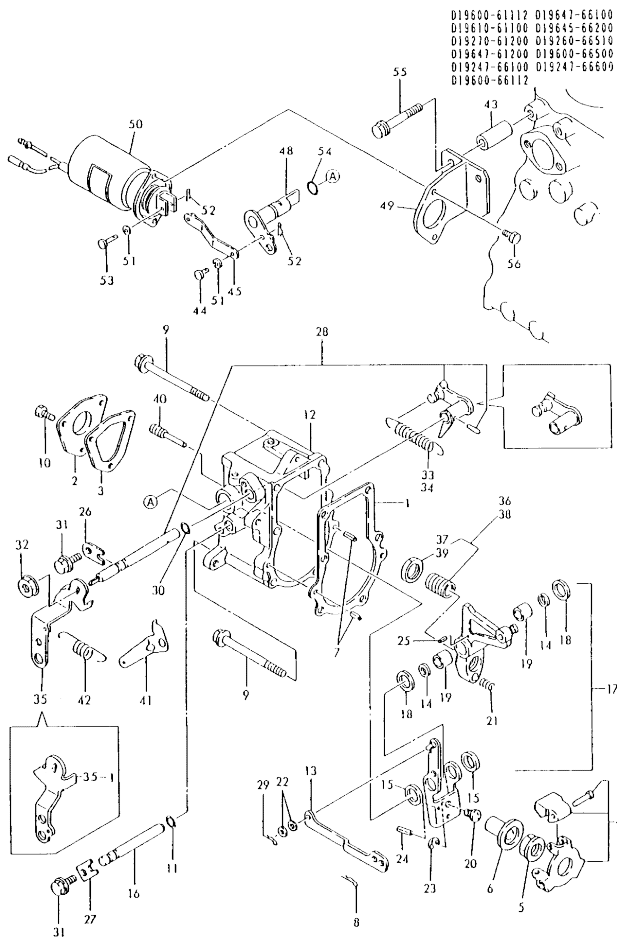
019260-59300
019620-59300



(A)=3TN66L-UHW (D)=
(B)=3TNA68L-UHW (E)=
(C)=3TNA72L-UHW (F)=

| No. | Lev. | Parts No. | Description | Q'ty | | | | | | I | R |
|-----|------|-----------------------|-------------------|------|-----|-----|-----|-----|-----|---|---|
| | | | | (A) | (B) | (C) | (D) | (E) | (F) | | |
| 1 | 1 | 119260-59540 | PIPE ASSY, RETURN | 1 | | | | | | | |
| 2 | 2 | 124066-59100 | CLIP, HOSE 8 | 4 | | | | | | | |
| 3 | 2 | 119260-59520 | JOINT | 1 | | | | | | | |
| 4 | 2 | 119260-59530 | JOINT | 2 | | | | | | | |
| 5 | 2 | 119260-59550 | PIPE, FUEL | 2 | | | | | | | |
| 6 | 1 | 119620-59540 | PIPE ASSY, FUEL | | 1 | 1 | | | | | |
| 7 | 2 | 124066-59100 | CLIP, HOSE 8 | 4 | 4 | | | | | | |
| 8 | 2 | 129155-59520 | JOINT | 1 | 1 | | | | | | |
| 8-1 | 2 | 119260-59520 | JOINT | 1 | 1 | | | | | | N |
| | | (B=E05255) (C=E15989) | | | | | | | | | |
| 9 | 2 | 129155-59530 | JOINT | 2 | 2 | | | | | | |
| 9-1 | 2 | 119260-59530 | JOINT | 2 | 2 | | | | | | N |
| | | (B=E05255) (C=E15989) | | | | | | | | | |
| 10 | 2 | 105025-59550 | PIPE, FUEL RETURN | 2 | 2 | | | | | | |
| 11 | 1 | 119620-59700 | NUT, NOZZLE | 3 | 3 | 3 | | | | | |
| 12 | 1 | 23414-140000 | GASKET, 14X1.0 | 3 | 3 | 3 | | | | | |

Fig.32. GOVERNOR

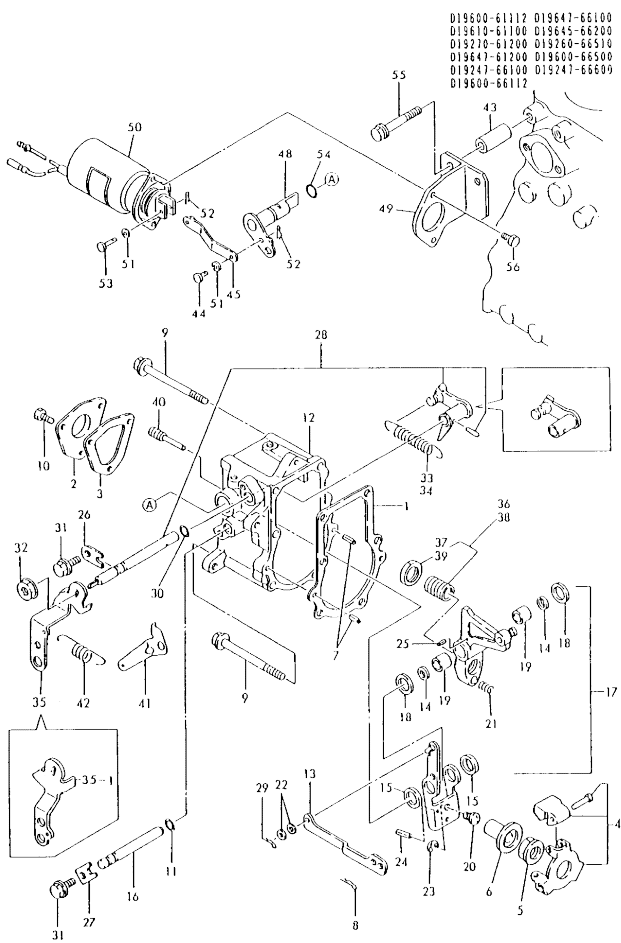


| No. | Lev. | Parts No. | Description | Q'ty | | | | | | I | R |
|------|------|-------------------------------------|-----------------------|------|-----|-----|-----|-----|-----|---|---|
| | | | | (A) | (B) | (C) | (D) | (E) | (F) | | |
| 1 | 1 | 119660-61051 | GASKET | 1 | 1 | 1 | | | | | |
| 1-1 | 1 | 119660-61052 | GASKET | 1 | 1 | 1 | | | | | N |
| | | (A=1990.01) (B=1990.01) (C=1990.01) | | | | | | | | | |
| 2 | 1 | 119660-61060 | COVER, GOVERNOR CASE | 1 | 1 | 1 | | | | | |
| 3 | 1 | 119660-61070 | GASKET | 1 | 1 | 1 | | | | | |
| 3-1 | 1 | 119660-61071 | GASKET | 1 | 1 | 1 | | | | | N |
| | | (A=1990.01) (B=1990.01) (C=1990.01) | | | | | | | | | |
| 4 | 1 | 119600-61200 | WEIGHT ASSY, GOVERNOR | 1 | 1 | 1 | | | | | |
| 5 | 1 | 119660-61300 | NUT | 1 | 1 | 1 | | | | | |
| 6 | 1 | 119660-61341 | SLEEVE | 1 | 1 | 1 | | | | | |
| 7 | 1 | 22351-040010 | PIN, SPRING 4.0X10 | 2 | 2 | 2 | | | | | |
| 8 | 1 | 22360-060000 | PIN, SNAP 6 | 1 | 1 | 1 | | | | | |
| 9 | 1 | 26106-060702 | BOLT, M6X 70 PLATED | 6 | 6 | 6 | | | | | |
| 10 | 1 | 26116-050102 | BOLT, M5X 10 PLATED | 3 | 3 | 3 | | | | | |
| 11 | 1 | 129155-51280 | O-RING, S6 | 1 | 1 | 1 | | | | | |
| 12 | 1 | 119660-61013 | CASE, GOVERNOR | 1 | 1 | 1 | | | | | |
| 13 | 1 | 119285-61120 | LINK, NO MARK | 1 | 1 | 1 | | | | | |
| 13-1 | 1 | 119660-61121 | LINK, NO MARK | | | 1 | | | | | N |
| | | (C=EXXX) | | | | | | | | | |
| 14 | 1 | 119660-61460 | SHIM SET | 1 | 1 | 1 | | | | | |
| 15 | 1 | 129155-61480 | SPACER ASSY | 2 | 2 | 2 | | | | | |
| 16 | 1 | 119660-61491 | SHAFT | 1 | 1 | 1 | | | | | |
| 17 | 1 | 119600-61500 | LEVER ASSY, GOVERNOR | 1 | 1 | 1 | | | | | |
| 18 | 2 | 174307-51700 | SHIM SET | 2 | 2 | 2 | | | | | |
| 19 | 2 | 129155-61530 | BUSH | 2 | 2 | 2 | | | | | |
| 20 | 2 | 119600-61540 | SHIFTER | 1 | 1 | 1 | | | | | |
| 21 | 2 | 119600-61650 | SPRING, STARTING | 1 | 1 | 1 | | | | | |
| 22 | 2 | 22117-040000 | WASHER, 4 | 1 | 1 | 1 | | | | | |
| 22-1 | 2 | 22117-040000 | WASHER, 4 | 2 | 2 | 2 | | | | | K |
| | | (A=1987.09) (B=E07233) (C=E15989) | | | | | | | | | |
| 23 | 2 | 22272-000040 | RING, E- 4 | 1 | 1 | 1 | | | | | |
| 24 | 2 | 22351-020004 | PIN, SPRING 2.0X 4 | 1 | 1 | 1 | | | | | |
| 25 | 2 | 22351-030014 | PIN, SPRING 3.0X14 | 1 | 1 | 1 | | | | | |
| 26 | 1 | 119600-61900 | RETAINER, SHAFT | 1 | 1 | 1 | | | | | |
| 27 | 1 | 119660-61901 | RETAINER, SHAFT | 1 | 1 | 1 | | | | | |
| 28 | 1 | 119285-66090 | SHAFT ASSY | 1 | 1 | 1 | | | | | |
| 28-1 | 1 | 119621-66091 | SHAFT ASSY | | | 1 | | | | | N |
| | | (C=EXXX) | | | | | | | | | |
| 29 | 1 | 22360-040000 | PIN, SNAP 4 | 1 | 1 | 1 | | | | | |
| 30 | 1 | 24341-000070 | O-RING, 1AS7.0 | 1 | 1 | 1 | | | | | |
| 31 | 1 | 26106-060102 | BOLT, M6X 10 PLATED | 2 | 2 | 2 | | | | | |
| 32 | 1 | 194990-22050 | NUT, M8 | 1 | 1 | 1 | | | | | |
| 33 | 1 | 119260-66010 | SPRING, REGULATOR | 1 | | | | | | | |
| 34 | 1 | 119600-66020 | SPRING, REGULATOR | | 1 | 1 | | | | | |
| 35 | 1 | 119640-66051 | HANDLE, REGULATOR | 1 | 1 | 1 | | | | | |
| 35-1 | 1 | 119621-66051 | LEVER, REGULATOR | | | 1 | | | | | N |
| | | (C=EXXX) | | | | | | | | | |
| 36 | 1 | 119260-66720 | ANGLEICH ASSY | 1 | | | | | | | |
| 37 | 2 | 129155-61590 | NUT, LOCK | 1 | | | | | | | |
| 38 | 1 | 119600-66700 | ANGLEICH ASSY | | 1 | 1 | | | | | |
| 39 | 2 | 129155-61590 | NUT, LOCK | | 1 | 1 | | | | | |

N:Old $\frac{100}{100}$ New, Q:Old $\frac{100}{100}$ New, R:Old $\frac{100}{100}$ New, S:Old $\frac{100}{100}$ New, W:Add, Z:Discontinued, F:Interchangeable by set, K:Q'ty Change
 ++ CONTINUE ++
 Copyright (C) YANMAR CO., LTD. All Rights Reserved.

OCD10-M39301

Fig.32. GOVERNOR



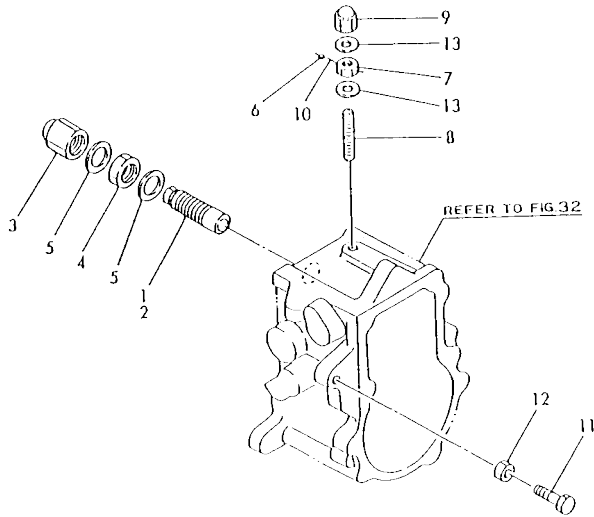
| No. | Lev. | Parts No. | Description | Q'ty | | | | | | I | R |
|------|------|------------------------|---------------------|------|-----|-----|-----|-----|-----|---|---|
| | | | | (A) | (B) | (C) | (D) | (E) | (F) | | |
| 40 | 1 | 124250-03640 | SCREW | 1 | 1 | 1 | | | | | |
| 41 | 1 | 119656-66910 | HOOK | 1 | 1 | 1 | | | | | Z |
| | | | (C=EXXX) | | | | | | | | |
| 42 | 1 | 104583-67300 | SPRING, RETURN | 1 | 1 | 1 | | | | | Z |
| | | | (C=EXXX) | | | | | | | | |
| 42-1 | 1 | 160110-66011 | SPRING, REGULATOR | 1 | 1 | | | | | | R |
| | | (A=1987.11) (B=E07233) | | | | | | | | | |
| 43 | 1 | 123682-39460 | SUPPORT | | | 2 | | | | | W |
| | | | (C=EXXX) | | | | | | | | |
| 44 | 1 | 171002-65121 | PIN | | | 1 | | | | | W |
| | | | (C=EXXX) | | | | | | | | |
| 45 | 1 | 119645-66510 | LINK ASSY | | | 1 | | | | | W |
| | | | (C=EXXX) | | | | | | | | |
| 48 | 1 | 119600-66521 | HANDLE, STOP | | | 1 | | | | | W |
| | | | (C=EXXX) | | | | | | | | |
| 49 | 1 | 119645-66530 | BRACKET, SOLENOID | | | 1 | | | | | W |
| | | | (C=EXXX) | | | | | | | | |
| 50 | 1 | 129410-77951 | SOLENOID | | | 1 | | | | | W |
| | | | (C=EXXX) | | | | | | | | |
| 51 | 1 | 22117-050000 | WASHER, 5 | | | 2 | | | | | W |
| | | | (C=EXXX) | | | | | | | | |
| 52 | 1 | 22360-050000 | SNAP PIN 5 | | | 2 | | | | | W |
| | | | (C=EXXX) | | | | | | | | |
| 53 | 1 | 22487-050160 | PIN, H 5X 16 | | | 1 | | | | | W |
| | | | (C=EXXX) | | | | | | | | |
| 54 | 1 | 24311-240100 | O-RING, 1AP10A | | | 1 | | | | | W |
| | | | (C=EXXX) | | | | | | | | |
| 55 | 1 | 26106-080502 | BOLT, M8X 50 PLATED | | | 2 | | | | | W |
| | | | (C=EXXX) | | | | | | | | |
| 56 | 1 | 26116-060122 | BOLT, M6X 12 PLATED | | | 2 | | | | | W |
| | | | (C=EXXX) | | | | | | | | |

N:Old $\frac{100}{100}$ New, Q:Old $\frac{100}{100}$ New, R:Old $\frac{100}{100}$ New, S:Old $\frac{100}{100}$ New, W:Add, Z:Discontinued, F:Interchangeable by set, K:Q'ty Change
 Copyright (C) YANMAR CO., LTD. All Rights Reserved.

OCD10-M39301

Fig.33. CONTROL SYSTEM

019260-66320
 019600-66310
 019260-66400

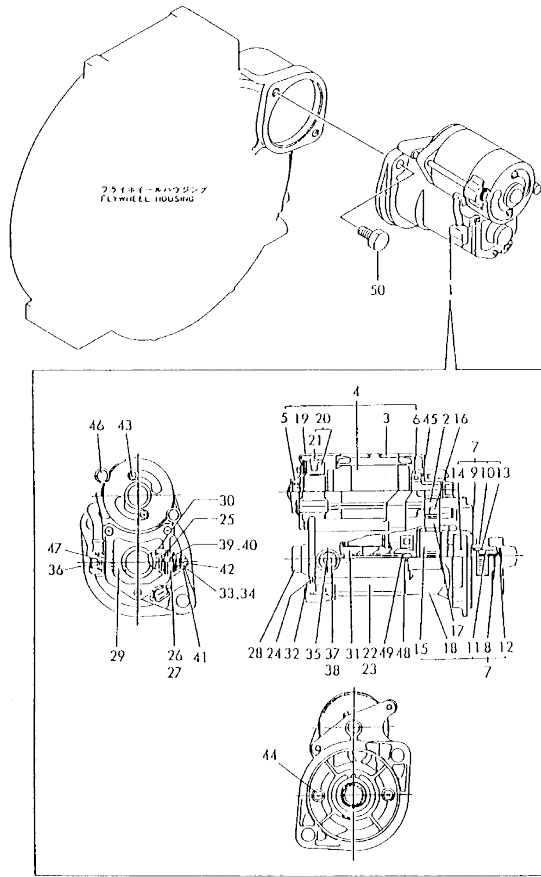


(A)=3TN66L-UHW (D)=
 (B)=3TNA68L-UHW (E)=
 (C)=3TNA72L-UHW (F)=

| No. | Lev. | Parts No. | Description | Q'ty | | | | | |
|-----|------|--------------|---------------------|------|-----|-----|-----|-----|-----|
| | | | | (A) | (B) | (C) | (D) | (E) | (F) |
| 1 | 1 | 119260-66540 | LIMITER ASSY, FUEL | 1 | | | | | |
| 2 | 1 | 119600-66530 | LIMITER ASSY, FUEL | | 1 | 1 | | | |
| 3 | 1 | 129100-61930 | NUT, CAP | 1 | 1 | 1 | | | |
| 4 | 1 | 124772-66750 | NUT, LOCK M12 | 1 | 1 | 1 | | | |
| 5 | 1 | 43400-500450 | SEAL WASHER 12 | 2 | 2 | 2 | | | |
| 6 | 1 | 135210-61090 | LEAD | 1 | 1 | 1 | | | |
| 7 | 1 | 124550-66370 | NUT, M6 | 1 | 1 | 1 | | | |
| 8 | 1 | 121575-66830 | SCREW | 1 | 1 | 1 | | | |
| 9 | 1 | 119600-66840 | NUT, CAP | 1 | 1 | 1 | | | |
| 10 | 1 | 22451-060000 | WIRE, 0.6 | 1 | 1 | 1 | | | |
| 11 | 1 | 26116-060304 | BOLT, M6X 30 PLATED | 1 | 1 | 1 | | | |
| 12 | 1 | 26756-060002 | NUT, LOCK M6 | 1 | 1 | 1 | | | |
| 13 | 1 | 43400-500400 | SEAL WASHER 6 | 2 | 2 | 2 | | | |

Fig.34. STARTING MOTOR(COMPONENT PARTS

D19640-17100



(A)=3TN66L-UHW (D)=
 (B)=3TNA68L-UHW (E)=
 (C)=3TNA72L-UHW (F)=

| No. | Lev. | Parts No. | Description | Q'ty | | | | | | I | R |
|------|------|------------------------------------|--------------------|------|-----|-----|-----|-----|-----|---|---|
| | | | | (A) | (B) | (C) | (D) | (E) | (F) | | |
| 1 | 1 | 119620-77011 | STARTER | 1 | 1 | 1 | | | | | |
| 2 | 2 | X0280630011 | RETAINER | 1 | 1 | 1 | | | | | |
| 3 | 2 | X0281003751 | YOKE ASSY | 1 | 1 | 1 | | | | | |
| 4 | 2 | X0282001531 | ARMATURE ASSY | 1 | 1 | 1 | | | | | |
| 5 | 3 | X9491001360 | BEARING | 1 | 1 | 1 | | | | | |
| 6 | 3 | X9491001860 | BALL BEARING | 1 | 1 | 1 | | | | | |
| 7 | 2 | X0283005050 | CLUTCH, STARTER | 1 | 1 | 1 | | | | | |
| 8 | 3 | X0280210230 | NUT | 1 | 1 | 1 | | | | | |
| 9 | 3 | X0283270140 | RETAINER | 1 | 1 | 1 | | | | | |
| 10 | 3 | X0283715030 | PINION, STARTER | 1 | 1 | 1 | | | | | |
| 11 | 3 | X0283810040 | SHAFT | 1 | 1 | 1 | | | | | |
| 12 | 3 | X9490721080 | RING | 1 | 1 | 1 | | | | | |
| 13 | 3 | X9491703371 | SPRING, COIL | 1 | 1 | 1 | | | | | |
| 14 | 3 | X9491704260 | SPRING | 1 | 1 | 1 | | | | | |
| 15 | 3 | 121120-77930 | CASE ASSY, STARTER | 1 | 1 | 1 | | | | | |
| 16 | 2 | X0283060061 | ROLLER | 5 | 5 | 5 | | | | | |
| 17 | 2 | X0283711420 | PINION | 1 | 1 | 1 | | | | | |
| 18 | 2 | X0284004910 | HOUSING, STARTER | 1 | 1 | 1 | | | | | |
| 19 | 2 | X0285040631 | FRAME ASSY | 1 | 1 | 1 | | | | | |
| 20 | 2 | X0285100460 | HOLDER ASSY, BRUSH | 1 | 1 | 1 | | | | | |
| 21 | 3 | X9491730461 | SPRING | 4 | 4 | 4 | | | | | |
| 22 | 2 | X0534006460 | SWITCH, MAGNETIC | 1 | 1 | 1 | | | | | |
| 23 | 3 | X0534040320 | GASKET | 1 | 1 | 1 | | | | | |
| 24 | 3 | X0534490120 | BUSH | 1 | 1 | 1 | | | | | |
| 25 | 3 | X0534490120 | BUSH | 1 | 1 | 1 | | | | | |
| 26 | 3 | X0534490230 | BUSH | 1 | 1 | 1 | | | | | |
| 27 | 3 | X0534490230 | BUSH | 1 | 1 | 1 | | | | | |
| 28 | 3 | X0535050620 | COVER | 1 | 1 | 1 | | | | | |
| 29 | 3 | X0535130241 | PLATE (B) | 1 | 1 | 1 | | | | | |
| 30 | 3 | X0535130320 | PLATE (A) | 1 | 1 | 1 | | | | | |
| 31 | 3 | X0536600401 | PLUNGER | 1 | 1 | 1 | | | | | |
| 32 | 3 | X9151005141 | BOLT W/WASHER | 3 | 3 | 3 | | | | | |
| 33 | 3 | X9490170900 | WASHER | 1 | 1 | 1 | | | | | |
| 34 | 3 | X9490170900 | WASHER | 1 | 1 | 1 | | | | | |
| 35 | 3 | X9490441303 | BOLT | 1 | 1 | 1 | | | | | |
| 36 | 3 | X9490441312 | BOLT | 1 | 1 | 1 | | | | | |
| 37 | 3 | X9490502820 | NUT | 1 | 1 | 1 | | | | | |
| 38 | 3 | X9490502820 | NUT | 1 | 1 | 1 | | | | | |
| 39 | 3 | X9491402100 | O-RING | 1 | 1 | 1 | | | | | |
| 40 | 3 | X9491402100 | O-RING | 1 | 1 | 1 | | | | | |
| 41 | 2 | X9019008651 | NUT | 1 | 1 | 1 | | | | | |
| 42 | 2 | X9025808001 | WASHER | 1 | 1 | 1 | | | | | |
| 43 | 2 | X9490071810 | SCREW W/WASHER | 2 | 2 | 2 | | | | | |
| 44 | 2 | X9490071970 | SCREW W/WASHER | 2 | 2 | 2 | | | | | |
| 45 | 2 | X9490200710 | WASHER | 1 | 1 | 1 | | | | | Z |
| | | (A=E-XXXX) (B=E-XXXX) (C=E-XXXX) | | | | | | | | | |
| 46 | 2 | X9490471500 | BOLT W/WASHER | 2 | 2 | 2 | | | | | |
| 46-1 | 2 | X9490423330 | BOLT W/WASHER | 2 | 2 | 2 | | | | | N |
| | | (A=1988.02) (B=1988.02) (C=E18586) | | | | | | | | | |
| 47 | 2 | X9490561370 | NUT | 1 | 1 | 1 | | | | | |
| 48 | 2 | X9491200240 | BALL | 1 | 1 | 1 | | | | | |

N:Old $\frac{New}{Old}$ New, Q:Old $\frac{New}{Old}$ New, R:Old $\frac{New}{Old}$ New, S:Old $\frac{New}{Old}$ New, W:Add, Z:Discontinued, F:Interchangeable by set, K:Q'ty Change
 ++ CONTINUE ++ Copyright (C) YANMAR CO., LTD. All Rights Reserved.

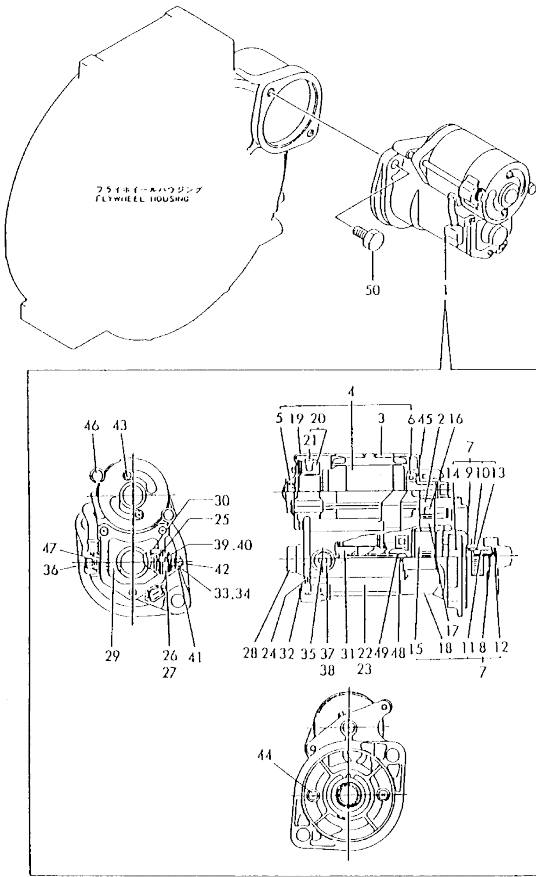
OCD10-M39301

Fig.34. STARTING MOTOR(COMPONENT PARTS)

019640-11100

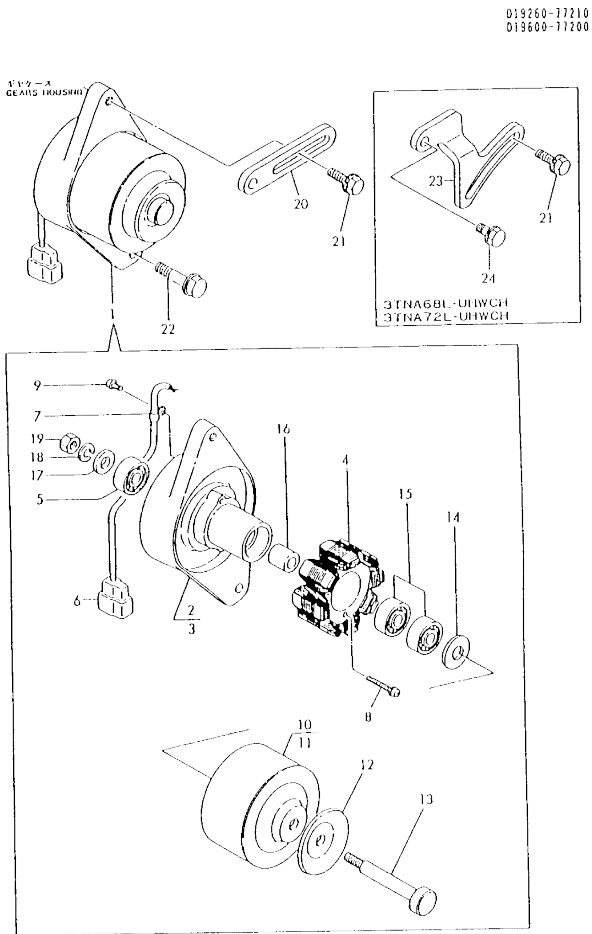
(A)=3TN66L-UHW (D)=
 (B)=3TNA68L-UHW (E)=
 (C)=3TNA72L-UHW (F)=

| No. | Lev. | Parts No. | Description | Q'ty | | | | | |
|-----|------|--------------|----------------------|------|-----|-----|-----|-----|-----|
| | | | | (A) | (B) | (C) | (D) | (E) | (F) |
| 49 | 2 | X9491703380 | SPRING | 1 | 1 | 1 | | | |
| 50 | 1 | 26116-120252 | BOLT, M12X 25 PLATED | 2 | 2 | 2 | | | |



N:Old $\frac{100}{100}$ New, Q:Old $\frac{100}{100}$ New, R:Old $\frac{100}{100}$ New, S:Old $\frac{100}{100}$ New, W:Add, Z:Discontinued, F:Interchangeable by set, K:Q'ty Change
 Copyright (C) YANMAR CO., LTD. All Rights Reserved.

Fig.35. GENERATOR(COMPONENT PARTS)

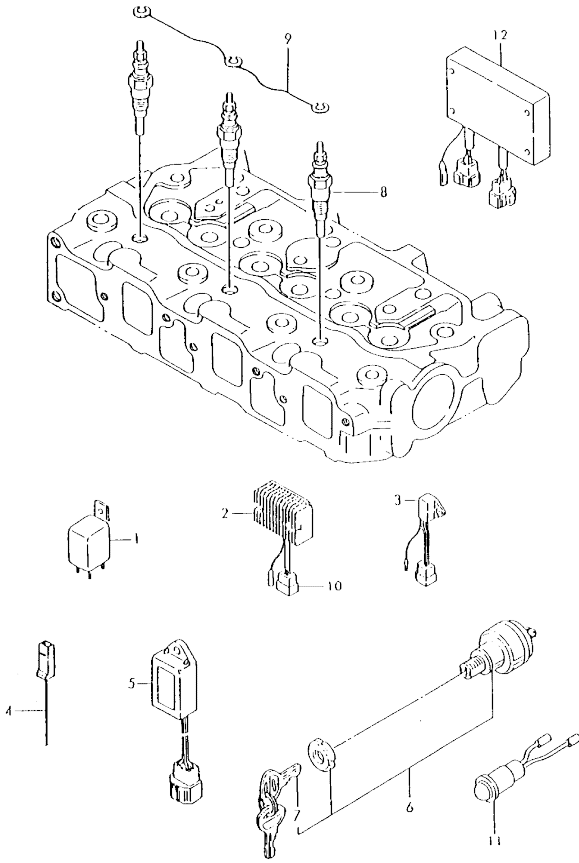


| No. | Lev. | Parts No. | Description | Qty | | | | | | I | R |
|-----|------|--------------|----------------------|-----|-----|-----|-----|-----|-----|---|---|
| | | | | (A) | (B) | (C) | (D) | (E) | (F) | | |
| 1 | 1 | 171301-77201 | DYNAMO ASSY, 15A | 1 | 1 | 1 | | | | | |
| 2 | 2 | XM08137 | PLATE ASSY | 1 | 1 | 1 | | | | | |
| 3 | 3 | XM08138 | PLATE | 1 | 1 | 1 | | | | | |
| 4 | 3 | XM08180 | STATOR ASSY | 1 | 1 | 1 | | | | | |
| 5 | 3 | XM27436 | BALL BEARING | 1 | 1 | 1 | | | | | |
| 6 | 3 | XM17878 | COUPLER | 1 | 1 | 1 | | | | | |
| 7 | 3 | XM36410 | CLAMP | 1 | 1 | 1 | | | | | |
| 8 | 3 | 26022-040252 | SCREW, M4X25 | 2 | 2 | 2 | | | | | |
| 9 | 3 | XYSPS4008 | SCREW | 1 | 1 | 1 | | | | | |
| 10 | 2 | XM82184 | FLYWHEEL ASSY | 1 | 1 | 1 | | | | | |
| 11 | 3 | XM82110 | FLYWHEEL | 1 | 1 | 1 | | | | | |
| 12 | 3 | XM72174 | PULLEY | 1 | 1 | 1 | | | | | |
| 13 | 3 | XM72664 | SHAFT | 1 | 1 | 1 | | | | | |
| 14 | 3 | XM37336 | WASHER | 1 | 1 | 1 | | | | | |
| 15 | 3 | XM27436 | BALL BEARING | 2 | 2 | 2 | | | | | |
| 16 | 2 | 106383-44720 | SPACER | 1 | 1 | 1 | | | | | |
| 17 | 2 | 106383-44730 | WASHER | 1 | 1 | 1 | | | | | |
| 18 | 2 | 22212-100000 | WASHER 10,SPRING | 1 | 1 | 1 | | | | | |
| 19 | 2 | 26716-100002 | NUT, M10 | 1 | 1 | 1 | | | | | |
| 20 | 1 | 121450-77330 | ADJUSTER | 1 | | | | | | | |
| 21 | 1 | 26014-080252 | BOLT, M8X 25 | 1 | 1 | 1 | | | | | |
| 22 | 1 | 26106-100402 | BOLT, M10X 40 PLATED | 1 | 1 | 1 | | | | | |
| 23 | 1 | 119600-77330 | ADJUSTER | 1 | 1 | | | | | | |
| 24 | 1 | 26106-080182 | BOLT, M8X 18 PLATED | 1 | 1 | | | | | | |

OCD10-M39301

Fig.36. ELECTRIC PARTS

019600-71300
 019247-93100
 019647-93100
 019647-93110



(A)=3TN66L-UHW (D)=
 (B)=3TNA68L-UHW (E)=
 (C)=3TNA72L-UHW (F)=

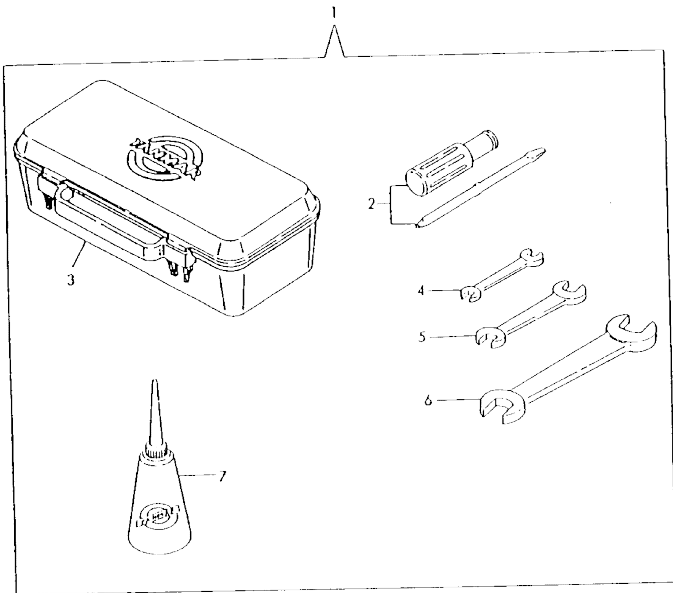
| No. | Lev. | Parts No. | Description | Q'ty | | | | | | I | R |
|------|------|--------------|----------------------|------|-----|-----|-----|-----|-----|---|---|
| | | | | (A) | (B) | (C) | (D) | (E) | (F) | | |
| 1 | 1 | 121522-77101 | RELAY, SAFETY | 1 | 1 | 1 | | | | | |
| 2 | 1 | 171301-77700 | LIMITER, CURRENT | 1 | 1 | 1 | | | | | |
| 2-1 | 1 | 119660-77710 | LIMITER, CURRENT 15A | | | 1 | | | | | N |
| | | | (C=E18586) | | | | | | | | |
| 3 | 1 | 121522-77721 | INDICATOR | 1 | 1 | 1 | | | | | |
| 3-1 | 1 | 121522-77721 | INDICATOR | | | 1 | | | | | Z |
| | | | (C=EXXX) | | | | | | | | |
| 4 | 1 | 119643-77900 | CONNECTOR, STARTER | 1 | 1 | 1 | | | | | |
| 5 | 1 | 128300-77920 | TIMER | 1 | 1 | 1 | | | | | |
| 6 | 1 | 121400-91251 | SWITCH, STARTER | 1 | 1 | 1 | | | | | |
| 7 | 2 | 121400-91271 | KEY, SWITCH | 2 | 2 | 2 | | | | | |
| 8 | 1 | 129795-77800 | PLUG, GLOW | 3 | 3 | 3 | | | | | |
| 9 | 1 | 119620-77820 | CONNECTOR, GLOW PLUG | 1 | 1 | 1 | | | | | |
| 10 | 1 | 119865-77720 | CONNECTOR | | | 1 | | | | | W |
| | | | (C=E18586) | | | | | | | | |
| 11 | 1 | 124732-77720 | LAMP, CHARGING | | | 1 | | | | | W |
| | | | (C=E18586) | | | | | | | | |
| 12 | 1 | 171440-77800 | RELAY, EMERGENCY | | | 1 | | | | | W |
| | | | (C=E18586) | | | | | | | | |
| 12-1 | 1 | 171440-77801 | RELAY, EMERGENCY | | | 1 | | | | | R |
| | | | (C=1990.06) | | | | | | | | |

N:Old $\frac{New}{Old}$ New, Q:Old $\frac{New}{Old}$ New, R:Old $\frac{New}{Old}$ New, S:Old $\frac{New}{Old}$ New, W:Add, Z:Discontinued, F:Interchangeable by set, K:Q'ty Change
 Copyright (C) YANMAR CO., LTD. All Rights Reserved.

OCD10-M39301

Fig.37. TOOLS

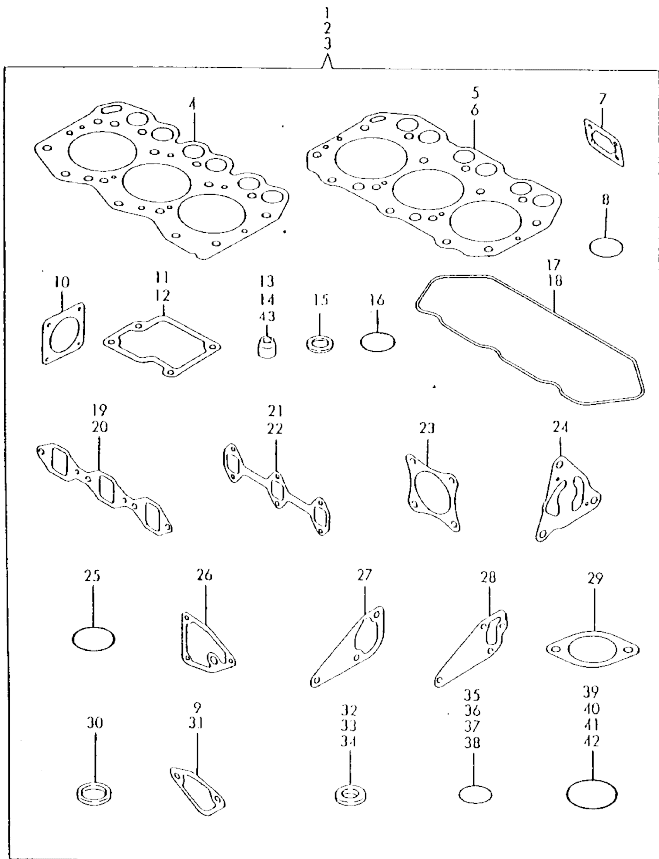
019241-93100
 019641-93100
 019647-93110



(A)=3TN66L-UHW (D)=
 (B)=3TNA68L-UHW (E)=
 (C)=3TNA72L-UHW (F)=

| No. | Lev. | Parts No. | Description | Q'ty | | | | | | I | R |
|-----|------|--------------|----------------|------|-----|-----|-----|-----|-----|---|---|
| | | | | (A) | (B) | (C) | (D) | (E) | (F) | | |
| 1 | 1 | 171001-93100 | BOX, TOOL | 1 | 1 | 1 | | | | | |
| 2 | 2 | 104200-92350 | DRIVER, SCREW | 1 | 1 | 1 | | | | | |
| 3 | 2 | 104200-92600 | BOX, TOOL | 1 | 1 | 1 | | | | | |
| 4 | 2 | 28110-100120 | SPANNER, 10X12 | 1 | 1 | 1 | | | | | |
| 5 | 2 | 28110-140170 | SPANNER, 14X17 | 1 | 1 | 1 | | | | | |
| 6 | 2 | 28110-190220 | SPANNER, 19X22 | 1 | 1 | 1 | | | | | |
| 7 | 2 | 28210-000140 | OILER | 1 | 1 | 1 | | | | | |

Fig.38. GASKET SET(OPTION)

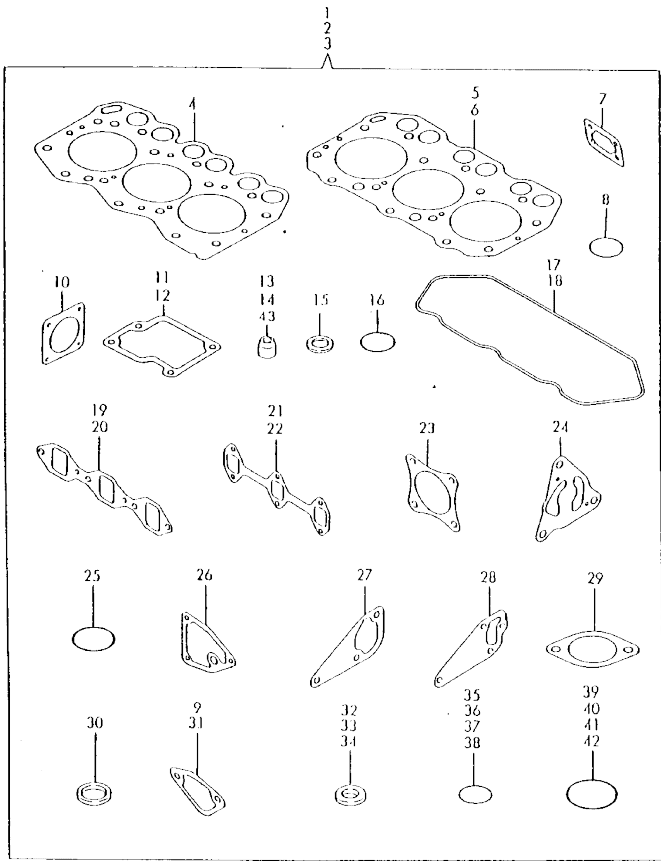


| No. | Lev. | Parts No. | Description | Qty | | | | | | I | R |
|--|------|--------------|------------------|-----|-----|-----|-----|-----|-----|---|---|
| | | | | (A) | (B) | (C) | (D) | (E) | (F) | | |
| 1 | 1 | 719241-92600 | GASKET SET | 1 | | | | | | | |
| 1-1 | 1 | 719241-92601 | GASKET SET | 1 | | | | | | | N |
| (A=EXXX) | | | | | | | | | | | |
| 2 | 1 | 719643-92600 | GASKET SET | | 1 | | | | | | |
| 2-1 | 1 | 719643-92601 | GASKET SET | | 1 | | | | | | N |
| (B=EXXX) | | | | | | | | | | | |
| 3 | 1 | 719642-92600 | GASKET SET | | | | 1 | | | | |
| 3-1 | 1 | 719642-92601 | GASKET SET | | | | 1 | | | | N |
| (C=EXXX) | | | | | | | | | | | |
| 4 | 2 | 119225-01340 | GASKET, HEAD | 1 | | | | | | | |
| 5 | 2 | 119656-01340 | GASKET, HEAD | | 1 | | | | | | |
| 6 | 2 | 119610-01340 | GASKET, HEAD | | | | 1 | | | | |
| 7 | 2 | 119660-01561 | GASKET | 1 | 1 | 1 | | | | | |
| 7-1 | 2 | 119660-01562 | GASKET | 1 | 1 | 1 | | | | | N |
| (A=*1990.01) (B=*1990.01) (C=*1990.01) | | | | | | | | | | | |
| 8 | 2 | 121420-01760 | O-RING | 1 | 1 | 1 | | | | | |
| 8-1 | 2 | 24311-000320 | O-RING, 1AP32.0 | 1 | 1 | 1 | | | | | N |
| (A=*1988.04) (B=*1988.04) (C=E21755) | | | | | | | | | | | |
| 9 | 2 | 121520-01850 | GASKET | | | | | 1 | | | |
| 9-1 | 2 | 121520-01851 | GASKET | | | | | 1 | | | N |
| (C=*1990.01) | | | | | | | | | | | |
| 10 | 2 | 124240-01882 | GASKET | | | 1 | | | | | |
| 11 | 2 | 119260-03030 | GASKET | 1 | | | | | | | |
| 11-1 | 2 | 119260-03031 | GASKET | 1 | | | | | | | N |
| (A=*1990.06) | | | | | | | | | | | |
| 12 | 2 | 119620-03030 | GASKET | | 1 | 1 | | | | | |
| 12-1 | 2 | 119620-03031 | GASKET | | 1 | 1 | | | | | N |
| (B=*1990.01) (C=*1990.01) | | | | | | | | | | | |
| 13 | 2 | 119260-11340 | SEAL, VALVE STEM | | 6 | | | | | | |
| 14 | 2 | 124950-11340 | SEAL, VALVE STEM | | 6 | 6 | | | | | |
| 14-1 | 2 | 124950-11340 | SEAL, VALVE STEM | | 3 | 3 | | | | | K |
| (B=E07233) (C=E15989) | | | | | | | | | | | |
| 15 | 2 | 119600-11460 | GASKET, NOZZLE | 6 | 6 | 6 | | | | | |
| 16 | 2 | 121420-01760 | O-RING | 1 | 1 | 1 | | | | | |
| 16-1 | 2 | 24311-000320 | O-RING, 1AP32.0 | 1 | 1 | 1 | | | | | N |
| (A=*1988.04) (B=*1988.04) (C=E21755) | | | | | | | | | | | |
| 17 | 2 | 119260-11310 | GASKET, BONNET | 1 | | | | | | | |
| 18 | 2 | 119620-11310 | GASKET, BONNET | | 1 | 1 | | | | | |
| 19 | 2 | 119260-12110 | GASKET, MANIFOLD | 1 | | | | | | | |
| 19-1 | 2 | 119260-12111 | GASKET, MANIFOLD | 1 | | | | | | | N |
| (A=*1990.06) | | | | | | | | | | | |
| 20 | 2 | 119620-12110 | GASKET, MANIFOLD | | 1 | 1 | | | | | |
| 20-1 | 2 | 119620-12111 | GASKET, MANIFOLD | | 1 | 1 | | | | | N |
| (B=*1990.04) (C=*1990.04) | | | | | | | | | | | |
| 21 | 2 | 119260-13110 | GASKET | 1 | | | | | | | |
| 22 | 2 | 119620-13110 | GASKET | | 1 | 1 | | | | | |
| 23 | 2 | 121000-13200 | GASKET, SILENCER | 1 | 1 | 1 | | | | | |
| 24 | 2 | 119660-32020 | GASKET, PUMP | 1 | 1 | 1 | | | | | |
| 25 | 2 | 124450-35110 | O-RING | 1 | 1 | 1 | | | | | |
| 26 | 2 | 119660-35112 | GASKET | | 1 | 1 | | | | | |
| 26-1 | 2 | 119660-35113 | GASKET | | 1 | 1 | | | | | N |

N:Old ^{REV}/_{REV} New, Q:Old ^{REV}/_{REV} New, R:Old ^{REV}/_{REV} New, S:Old ^{REV}/_{REV} New, W:Add, Z:Discontinued, F:Interchangeable by set, K:Qty Change
 ++ CONTINUE ++
 Copyright (C) YANMAR CO., LTD. All Rights Reserved.

OCD10-M39301

Fig.38. GASKET SET(OPTION)

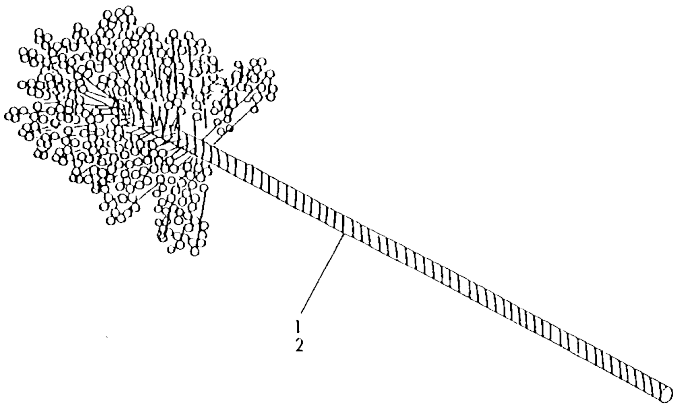


| No. | Lev. | Parts No. | Description | Q'ty | | | | | | I | R |
|------|------|--------------|--|------|-----|-----|-----|-----|-----|---|---|
| | | | | (A) | (B) | (C) | (D) | (E) | (F) | | |
| | | | (B=*1990.01) (C=*1990.01) | | | | | | | | |
| 27 | 2 | 119260-42020 | GASKET, WATER PUMP | 1 | | | | | | | |
| 28 | 2 | 119620-42020 | GASKET, WATER PUMP | | 1 | 1 | | | | | |
| 29 | 2 | 129350-49540 | GASKET | | 1 | 1 | | | | | |
| 29-1 | 2 | 129350-49541 | GASKET | | 1 | 1 | | | | | N |
| | | | (B=*1990.01) (C=*1990.01) | | | | | | | | |
| 30 | 2 | 124465-44950 | GASKET, 16 | 1 | 2 | | | | | | |
| 31 | 2 | 121520-01850 | GASKET | 1 | 1 | 1 | | | | | |
| 31-1 | 2 | 121520-01851 | GASKET | 1 | 1 | 1 | | | | | N |
| | | | (A=*1990.01) (B=*1990.01) (C=*1990.01) | | | | | | | | |
| 32 | 2 | 104200-59170 | GASKET, 12 | | 2 | 2 | | | | | |
| 33 | 2 | 23414-080012 | GASKET, 8X1.0 | | 4 | 4 | | | | | |
| 34 | 2 | 23414-140000 | GASKET, 14X1.0 | | 3 | 3 | | | | | |
| 35 | 2 | 24311-000120 | O-RING, 1AP12.0 | | 5 | 5 | | | | | |
| 36 | 2 | 24311-000160 | O-RING, 1AP16.0 | | 1 | 1 | | | | | |
| 37 | 2 | 24311-000180 | O-RING, 1AP18.0 | | 1 | | | | | | |
| 38 | 2 | 24311-240100 | O-RING, 1AP10A | | 1 | 1 | | | | | |
| 39 | 2 | 24321-000350 | O-RING, 1AG35.0 | | 1 | | | | | | |
| 40 | 2 | 24341-000250 | O-RING, 1AS25.0 | | | 1 | | | | | |
| 41 | 2 | 24341-000260 | O-RING, 1AS26.0 | | 1 | 1 | 1 | | | | |
| 41-1 | 2 | 24341-000240 | O-RING, 1AS24.0 | | 1 | 1 | 1 | | | | S |
| | | | (A=*1989.01) (B=*1989.01) (C=E25840) | | | | | | | | |
| 42 | 2 | 102103-55520 | O-RING | 2 | 2 | 2 | | | | | |
| 43 | 2 | 124160-11340 | SEAL, VALVE STEM | | 3 | 3 | | | | | W |
| | | | (B=E07233) (C=E15989) | | | | | | | | |

N:Old $\frac{100}{100}$ New. Q:Old $\frac{100}{100}$ New. R:Old $\frac{100}{100}$ New. S:Old $\frac{100}{100}$ New. W:Add. Z:Discontinued. F:Interchangeable by set. K:Q'ty Change
 Copyright (C) YANMAR CO., LTD. All Rights Reserved.

OCD10-M39301

Fig.39. SPECIAL TOOL(OPTIONAL)



| No. | Lev. | Parts No. | Description | Q'ty | | | | | | | |
|-----|------|--------------|-------------|------|-----|-----|-----|-----|-----|--|--|
| | | | | (A) | (B) | (C) | (D) | (E) | (F) | | |
| 1 | 1 | 129400-92400 | FLEX HORN | 1 | 1 | | | | | | |
| 2 | 1 | 129400-92410 | FLEX HORN | | | 1 | | | | | |

N:Old $\frac{New}{Old}$ New. Q:Old $\frac{New}{Old}$ New. R:Old $\frac{New}{Old}$ New. S:Old $\frac{New}{Old}$ New. W:Add. Z:Discontinued. F:Interchangeable by set. K:Q'ty Change
 Copyright (C) YANMAR CO., LTD. All Rights Reserved.

Parts No. Index

| Parts No. | Fig. No. | Ref. No. |
|--------------|----------|----------|
| 101158-11190 | 10 | 21 |
| 101304-59020 | 30 | 1 -1 |
| 101720-55750 | 28 | 7 |
| | | 19 |
| 102103-55520 | 28 | 3 |
| | | 15 |
| | | 38 |
| | | 42 |
| 103854-59191 | 30 | 3 |
| 104200-55321 | 28 | 8 A |
| | | 11 |
| 104200-55330 | 28 | 8 B |
| | | 12 |
| 104200-55341 | 28 | 8 C |
| | | 13 |
| 104200-55750 | 28 | 8 D |
| | | 20 |
| 104200-59170 | 30 | 2 |
| | | 38 |
| | | 32 |
| 104200-92350 | 37 | 2 |
| 104200-92600 | 37 | 3 |
| 104211-11370 | 10 | 23 |
| 104264-59030 | 30 | 7 |
| 104514-42780 | 22 | 7 |
| 104583-67300 | 32 | 42 |
| 104884-59170 | 2 | 16 |
| | 3 | 16 |
| 105010-11230 | 11 | 4 |
| | | 7 |
| | | 16 |
| | | 19 |
| 105025-59550 | 31 | 10 |
| 105225-22400 | 17 | 9 |
| 105225-23200 | 17 | 23 |
| 105225-59100 | 30 | 5 -1 |
| 105546-51330 | 26 | 12 |
| 105582-59150 | 30 | 8 |
| 106383-44720 | 35 | 16 |
| 106383-44730 | 35 | 17 |
| 110250-55610 | 28 | 4 |
| | | 16 |
| 114250-11120 | 10 | 9 |
| 114250-11180 | 10 | 10 |
| 114250-11190 | 10 | 11 |
| 114250-53130 | 27 | 6 |
| 114250-53400 | 27 | 8 |
| 119225-01340 | 38 | 4 |
| 119225-35300 | 20 | 5 |
| 119225-42320 | 22 | 1 J |
| 119225-51100 | 26 | 4 |
| 119225-51300 | 26 | 10 |

| Parts No. | Fig. No. | Ref. No. |
|--------------|----------|----------|
| 119225-55600 | 28 | 1 |
| 119225-59810 | 29 | 3 -1 |
| 119255-01340 | 1 | 14 |
| 119260-01200 | 1 | 13 |
| 119260-01490 | 4 | 1 |
| 119260-01590 | 4 | 5 |
| 119260-01770 | 8 | 1 -1 |
| 119260-02020 | 1 | 8 |
| 119260-02410 | 1 | 11 |
| 119260-03020 | 12 | 9 |
| 119260-03030 | 12 | 11 |
| | 38 | 11 |
| 119260-03031 | 12 | 11 -1 |
| | 38 | 11 -1 |
| 119260-07900 | 10 | 27 |
| 119260-11100 | 10 | 7 |
| 119260-11110 | 10 | 8 |
| 119260-11200 | 11 | 1 |
| 119260-11240 | 11 | 2 |
| 119260-11260 | 11 | 9 |
| 119260-11270 | 11 | 10 |
| 119260-11280 | 11 | 11 |
| 119260-11310 | 12 | 3 |
| | 38 | 17 |
| 119260-11340 | 10 | 12 |
| | 38 | 13 |
| 119260-11370 | 10 | 13 |
| 119260-11800 | 10 | 4 |
| 119260-12100 | 14 | 1 |
| 119260-12110 | 14 | 3 |
| | 38 | 19 |
| 119260-12111 | 14 | 3 -1 |
| | 38 | 19 -1 |
| 119260-13100 | 14 | 6 |
| 119260-13110 | 14 | 7 |
| | 38 | 21 |
| 119260-14010 | 15 | 2 |
| 119260-14100 | 15 | 5 |
| 119260-14200 | 15 | 7 |
| 119260-14400 | 15 | 9 |
| 119260-21200 | 16 | 3 |
| 119260-21650 | 16 | 6 |
| 119260-22300 | 17 | 7 |
| 119260-23200 | 17 | 20 |
| 119260-23910 | 17 | 19 |
| 119260-25100 | 18 | 3 |
| 119260-25900 | 18 | 9 |
| 119260-32000 | 19 | 1 |
| 119260-35081 | 21 | 1 |
| 119260-42000 | 22 | 1 |

| Parts No. | Fig. No. | Ref. No. |
|--------------|----------|----------|
| 119260-42001 | 22 | 1 -1 |
| 119260-42020 | 22 | 3 |
| | 38 | 27 |
| 119260-44500 | 23 | 6 |
| 119260-49530 | 24 | 1 |
| 119260-49800 | 24 | 2 |
| 119260-59520 | 31 | 3 |
| | | 8 -1 |
| 119260-59530 | 31 | 4 |
| | | 9 -1 |
| 119260-59540 | 31 | 1 |
| 119260-59550 | 31 | 5 |
| 119260-59810 | 29 | 3 |
| 119260-59820 | 29 | 5 |
| 119260-59830 | 29 | 7 |
| 119260-66010 | 32 | 33 |
| 119260-66540 | 33 | 1 |
| 119260-66720 | 32 | 36 |
| 119270-22090 | 17 | 1 |
| 119270-22091 | 17 | 1 -1 |
| 119280-49020 | 25 | 4 |
| 119285-61120 | 32 | 13 |
| 119285-66090 | 32 | 28 |
| 119288-49010 | 25 | 2 |
| 119454-01721 | 8 | 4 |
| 119600-01050 | 2 | 2 -1 |
| | 3 | 2 -1 |
| 119600-01600 | 6 | 1 |
| 119600-01722 | 9 | 4 |
| 119600-01770 | 9 | 1 -1 |
| 119600-11450 | 10 | 24 |
| 119600-11460 | 10 | 25 |
| | 38 | 15 |
| 119600-13100 | 14 | 8 |
| 119600-21580 | 16 | 11 -1 |
| 119600-22091 | 17 | 3 |
| 119600-22092 | 17 | 3 -1 |
| 119600-35091 | 21 | 2 |
| 119600-52021 | 5 | 26 -1 |
| 119600-61200 | 32 | 4 |
| 119600-61500 | 32 | 17 |
| 119600-61540 | 32 | 20 |
| 119600-61650 | 32 | 21 |
| 119600-61900 | 32 | 26 |
| 119600-66020 | 32 | 34 |
| 119600-66521 | 32 | 48 |
| 119600-66530 | 33 | 2 |
| 119600-66700 | 32 | 38 |
| 119600-66840 | 33 | 9 |
| 119600-77330 | 35 | 23 |

| Parts No. | Fig. No. | Ref. No. |
|--------------|----------|----------|
| 119610-01340 | 3 | 14 |
| | 38 | 6 |
| 119610-01490 | 5 | 1 |
| 119610-01590 | 5 | 3 |
| 119620-01200 | 2 | 13 |
| | 3 | 13 |
| 119620-01620 | 7 | 3 |
| 119620-01750 | 6 | 3 |
| 119620-01800 | 4 | 6 |
| | 5 | 4 |
| 119620-01950 | 4 | 8 |
| | 5 | 7 |
| 119620-02020 | 2 | 7 |
| | 3 | 7 |
| 119620-02410 | 2 | 10 |
| | 3 | 10 |
| 119620-02450 | 1 | 12 |
| | 2 | 11 |
| | 3 | 11 |
| 119620-03020 | 12 | 10 |
| 119620-03030 | 12 | 12 |
| | 38 | 12 |
| 119620-03031 | 12 | 12 -1 |
| | 38 | 12 -1 |
| 119620-11100 | 10 | 17 |
| 119620-11110 | 10 | 18 |
| 119620-11120 | 10 | 19 |
| 119620-11180 | 10 | 20 |
| 119620-11200 | 11 | 13 |
| 119620-11240 | 11 | 14 |
| 119620-11260 | 11 | 21 |
| 119620-11280 | 11 | 22 |
| 119620-11310 | 12 | 4 |
| | 38 | 18 |
| 119620-11350 | 11 | 25 |
| 119620-11390 | 12 | 8 |
| 119620-11801 | 10 | 14 |
| 119620-12101 | 14 | 2 |
| 119620-12110 | 14 | 4 |
| | 38 | 20 |
| 119620-12111 | 14 | 4 -1 |
| | 38 | 20 -1 |
| 119620-13110 | 14 | 9 |
| | 38 | 22 |
| 119620-14010 | 15 | 3 |
| 119620-14100 | 15 | 6 |
| 119620-14200 | 15 | 8 |
| 119620-14400 | 15 | 10 |
| 119620-21941 | 16 | 9 |
| 119620-22090 | 17 | 5 |

Parts No. Index

| Parts No. | Fig. No. | Ref. No. | Parts No. | Fig. No. | Ref. No. | Parts No. | Fig. No. | Ref. No. | Parts No. | Fig. No. | Ref. No. |
|--------------|----------|----------|--------------|----------|----------|--------------|----------|----------|--------------|----------|----------|
| 119620-22300 | 17 | 8 | 119645-49020 | 25 | 5 | 119660-61071 | 32 | 3 -1 | 121465-12660 | 13 | 4 -1 |
| 119620-23910 | 17 | 22 | 119645-66510 | 32 | 45 | 119660-61121 | 32 | 13 -1 | 121465-12700 | 13 | 7 |
| 119620-25102 | 18 | 5 | 119645-66530 | 32 | 49 | 119660-61300 | 32 | 5 | 121470-44540 | 23 | 14 |
| 119620-25912 | 18 | 4 | 119649-21650 | 16 | 7 | 119660-61341 | 32 | 6 | | | 14 -1 |
| | | 6 | 119650-42291 | 22 | 8 -1 | 119660-61460 | 32 | 14 | 121520-01850 | 4 | 24 |
| 119620-42020 | 22 | 4 | 119656-01340 | 2 | 14 | 119660-61491 | 32 | 16 | | 5 | 25 |
| | 38 | 28 | | 38 | 5 | 119660-61901 | 32 | 27 | | 38 | 9 |
| 119620-42291 | 22 | 8 | 119656-01900 | 2 | 15 | 119660-77710 | 36 | 2 -1 | | | 31 |
| 119620-42320 | 22 | 2 J | | 3 | 15 | 119688-49010 | 25 | 3 | 121520-01851 | 4 | 24 -1 |
| 119620-42350 | 22 | 5 | 119656-66910 | 32 | 41 | 119865-21600 | 16 | 12 | | 5 | 25 -1 |
| 119620-51101 | 26 | 5 | 119660-01510 | 5 | 2 | 119865-77720 | 36 | 10 | | 38 | 9 -1 |
| 119620-51170 | 26 | 6 | 119660-01551 | 4 | 15 | 121000-13200 | 14 | 18 | | | 31 -1 |
| 119620-51180 | 26 | 7 | | 5 | 16 | | 38 | 23 | 121520-01860 | 4 | 25 |
| 119620-51190 | 26 | 8 | 119660-01561 | 4 | 16 | 121023-01550 | 4 | 21 | | 5 | 26 |
| 119620-51250 | 26 | 9 | | 5 | 17 | | 5 | 22 | 121520-34810 | 1 | 18 |
| 119620-51300 | 26 | 11 | | 38 | 7 | 121023-44740 | 23 | 1 | | 2 | 19 |
| 119620-51340 | 26 | 13 | 119660-01562 | 4 | 16 -1 | 121111-21501 | 16 | 10 | | 3 | 19 |
| 119620-51350 | 26 | 14 | | 5 | 17 -1 | 121120-01620 | 6 | 2 | 121522-77101 | 36 | 1 |
| 119620-51370 | 26 | 15 | | 38 | 7 -1 | 121120-77930 | 34 | 15 | 121522-77721 | 36 | 3 |
| 119620-51450 | 26 | 16 | 119660-01570 | 4 | 17 | 121250-44901 | 24 | 8 | | | 3 -1 |
| 119620-51461 | 26 | 17 | | 5 | 18 | 121250-49121 | 25 | 7 | 121550-49111 | 25 | 1 |
| 119620-51510 | 26 | 19 | 119660-01640 | 7 | 1 | 121250-55620 | 28 | 5 | 121575-66830 | 33 | 8 |
| 119620-51650 | 26 | 21 | 119660-01821 | 15 | 1 | 121250-59080 | 30 | 5 | 121850-11860 | 10 | 5 |
| 119620-51660 | 26 | 22 | 119660-01911 | 4 | 7 | 121254-55510 | 28 | 2 | | | 15 |
| 119620-51670 | 26 | 23 | | 5 | 6 | | 14 | | 123682-39460 | 32 | 43 |
| 119620-51680 | 26 | 24 | 119660-14092 | 15 | 4 | 121256-44600 | 23 | 16 | 123682-44210 | 23 | 7 |
| 119620-51700 | 26 | 25 | 119660-21201 | 16 | 4 | 121257-55700 | 28 | 10 | | | 9 |
| 119620-53000 | 27 | 2 | 119660-25022 | 18 | 1 | 121257-55720 | 28 | 17 | 124060-01050 | 1 | 2 |
| 119620-53080 | 27 | 3 | 119660-25052 | 18 | 2 | 121257-55731 | 28 | 18 -1 | 124064-12680 | 13 | 5 |
| 119620-53120 | 27 | 5 | 119660-25902 | 18 | 10 | 121257-57731 | 28 | 18 | 124064-12690 | 13 | 6 |
| 119620-53140 | 27 | 7 | 119660-32001 | 19 | 2 | 121400-01640 | 8 | 2 | 124066-59100 | 30 | 4 -1 |
| 119620-59540 | 31 | 6 | 119660-32020 | 19 | 3 | 121400-91251 | 36 | 6 | | 31 | 2 |
| 119620-59700 | 31 | 11 | | 38 | 24 | 121400-91271 | 36 | 7 | | | 7 |
| 119620-59810 | 29 | 4 | 119660-35102 | 20 | 1 | 121420-01760 | 4 | 19 | 124085-02220 | 7 | 2 |
| 119620-59811 | 29 | 4 -1 | 119660-35112 | 20 | 2 | | 5 | 20 | 124160-01751 | 4 | 18 |
| 119620-59820 | 29 | 6 | | 38 | 26 | | 12 | 2 | | 5 | 19 |
| 119620-59821 | 29 | 6 -1 | 119660-35113 | 20 | 2 -1 | | 38 | 8 | | 12 | 1 |
| 119620-59830 | 29 | 8 | | 38 | 26 -1 | | 16 | | 124160-01900 | 2 | 2 |
| 119620-59831 | 29 | 8 -1 | 119660-35150 | 20 | 3 | 121450-01560 | 4 | 2 | 124160-01910 | 3 | 2 |
| 119620-77011 | 34 | 1 | 119660-35300 | 20 | 6 | | 5 | 2 A | 124160-11340 | 10 | 23 C |
| 119620-77820 | 36 | 9 | 119660-42003 | 22 | 2 | | 5 | | | 38 | 43 |
| 119621-21680 | 16 | 8 | 119660-42004 | 22 | 2 -1 | 121450-42450 | 22 | 10 -1 | 124160-11360 | 12 | 5 |
| 119621-66051 | 32 | 35 -1 | 119660-42350 | 22 | 6 | | 24 | 4 | 124160-39450 | 21 | 6 |
| 119621-66091 | 32 | 28 -1 | 119660-51500 | 26 | 18 | 121450-44510 | 23 | 10 | 124240-01882 | 38 | 10 |
| 119640-66051 | 32 | 35 | 119660-51530 | 26 | 20 | 121450-44530 | 23 | 11 | 124250-03640 | 32 | 40 |
| 119643-21590 | 16 | 11 | 119660-61013 | 32 | 12 | 121450-49110 | 25 | 5 A | 124450-35110 | 20 | 4 |
| 119643-77900 | 36 | 4 | 119660-61051 | 32 | 1 | 121450-77330 | 35 | 20 | | 38 | 25 |
| 119645-34800 | 1 | 17 | 119660-61052 | 32 | 1 -1 | 121465-12500 | 13 | 1 -1 | 124450-44550 | 23 | 15 |
| | | 2 | 119660-61060 | 32 | 2 | 121465-12510 | 13 | 2 -1 | 124450-44560 | 23 | 12 |
| | | 3 | 119660-61070 | 32 | 3 | 121465-12650 | 13 | 3 -1 | 124465-44950 | 24 | 9 |

Parts No. Index

| Parts No. | Fig. No. | Ref. No. |
|--------------|----------|----------|
| 124465-44950 | 38 | 30 |
| 124550-55700 | 28 | 6 |
| 124550-66370 | 33 | 7 |
| 124574-44761 | 23 | 3 |
| 124700-44740 | 23 | 2 |
| 124732-77720 | 36 | 11 |
| 124766-59050 | 30 | 4 |
| 124767-59080 | 30 | 6 |
| 124772-66750 | 33 | 4 |
| 124950-11340 | 10 | 22 |
| | | 22 -1 |
| | 38 | 14 |
| | | 14 -1 |
| 128300-77920 | 36 | 5 |
| 129100-01580 | 6 | 4 |
| | 16 | 5 B |
| | | 13 |
| 129100-61930 | 33 | 3 |
| 129150-35350 | 20 | 7 |
| 129150-59020 | 30 | 1 |
| 129150-59120 | 29 | 1 |
| 129150-59130 | 29 | 2 |
| 129155-51280 | 32 | 11 |
| 129155-59520 | 31 | 8 |
| 129155-59530 | 31 | 9 |
| 129155-61480 | 32 | 15 |
| 129155-61530 | 32 | 19 |
| 129155-61590 | 32 | 37 |
| | | 39 |
| 129155-61830 | 27 | 9 |
| 129350-49530 | 24 | 5 |
| 129350-49540 | 24 | 6 |
| | 38 | 29 |
| 129350-49541 | 24 | 6 -1 |
| | 38 | 29 -1 |
| 129350-49800 | 24 | 7 |
| 129400-92400 | 39 | 1 |
| 129400-92410 | 39 | 2 |
| 129410-77951 | 32 | 50 |
| 129795-77800 | 36 | 8 |
| 135210-61090 | 33 | 6 |
| 160110-66011 | 32 | 42 -1 |
| 171001-93100 | 37 | 1 |
| 171002-44502 | 23 | 8 |
| 171002-65121 | 32 | 44 |
| 171033-12500 | 13 | 1 |
| 171033-12510 | 13 | 2 |
| 171033-12540 | 13 | 3 |
| 171033-12560 | 13 | 4 |
| 171059-55600 | 28 | 1 -1 |

| Parts No. | Fig. No. | Ref. No. |
|--------------|----------|----------|
| 171081-55910 | 28 | 21 |
| 171301-01640 | 9 | 2 |
| 171301-77201 | 35 | 1 |
| 171301-77700 | 36 | 2 |
| 171353-44760 | 23 | 17 |
| 171440-77800 | 36 | 12 |
| 171440-77801 | 36 | 12 -1 |
| 174307-51700 | 32 | 18 |
| 194990-22050 | 4 | 4 |
| | 5 | 8 |
| | 14 | 11 |
| | | 12 |
| | 32 | 32 |
| 22117-040000 | 32 | 22 |
| | | 22 -1 |
| 22117-050000 | 32 | 51 |
| 22137-040000 | 26 | 26 |
| 22212-100000 | 35 | 18 |
| 22217-040000 | 26 | 27 |
| 22217-050000 | 12 | 13 |
| 22242-000100 | 11 | 12 |
| 22242-000120 | 11 | 23 |
| 22242-000200 | 18 | 7 |
| 22252-000210 | 17 | 10 |
| 22272-000040 | 32 | 23 |
| 22351-020004 | 32 | 24 |
| 22351-030014 | 32 | 25 |
| 22351-040010 | 4 | 3 |
| | 5 | 2 B |
| | | 9 |
| | 32 | 7 |
| 22351-060012 | 10 | 26 |
| 22360-040000 | 32 | 29 |
| 22360-050000 | 32 | 52 |
| 22360-060000 | 32 | 8 |
| 22451-060000 | 33 | 10 |
| 22487-050160 | 32 | 53 |
| 22512-040120 | 15 | 11 |
| | | 12 |
| | 16 | 5 |
| 23010-038000 | 25 | 9 |
| 23065-070180 | 23 | 13 |
| 23065-120800 | 12 | 15 |
| 23414-080012 | 30 | 9 |
| | 38 | 33 |
| 23414-140000 | 31 | 12 |
| | 38 | 34 |
| 23414-160021 | 22 | 9 |
| 23418-060000 | 28 | 8 |
| | | 22 |

| Parts No. | Fig. No. | Ref. No. |
|--------------|----------|----------|
| 23871-010000 | 2 | 3 |
| | 3 | 3 |
| 23887-160002 | 22 | 10 |
| 24101-062034 | 15 | 13 |
| 24102-063034 | 15 | 14 |
| 24311-000120 | 4 | 9 |
| | 5 | 10 |
| | 12 | 16 |
| | 21 | 3 |
| | 38 | 35 |
| 24311-000160 | 20 | 8 |
| | 25 | 8 |
| | 38 | 36 |
| 24311-000180 | 8 | 3 |
| | 38 | 37 |
| 24311-000320 | 4 | 19 -1 |
| | 5 | 20 -1 |
| | 12 | 2 -1 |
| | 38 | 8 -1 |
| | | 16 -1 |
| 24311-240100 | 28 | 8 E |
| | | 23 |
| | 32 | 54 |
| | 38 | 38 |
| 24321-000350 | 24 | 3 |
| | 38 | 39 |
| 24341-000070 | 32 | 30 |
| 24341-000240 | 4 | 22 -1 |
| | 5 | 23 -1 |
| | 9 | 3 |
| | 38 | 41 -1 |
| 24341-000250 | 38 | 40 |
| 24341-000260 | 4 | 22 |
| | 5 | 23 |
| | 38 | 41 |
| 26013-060202 | 19 | 4 |
| 26014-060122 | 22 | 11 |
| 26014-060202 | 5 | 27 -1 |
| 26014-080252 | 35 | 21 |
| 26014-080702 | 28 | 9 -1 |
| 26022-040082 | 26 | 28 |
| 26022-040252 | 35 | 8 |
| 26106-060102 | 8 | 5 |
| | 21 | 4 |
| | 32 | 31 |
| 26106-060122 | 1 | 15 |
| | 2 | 12 |
| | 3 | 12 |
| | 9 | 5 |
| | 18 | 8 |

| Parts No. | Fig. No. | Ref. No. |
|--------------|----------|----------|
| 26106-060122 | 21 | 5 |
| 26106-060162 | 4 | 10 |
| | | 26 |
| | 5 | 11 |
| | | 27 |
| | 15 | 15 |
| 26106-060182 | 4 | 23 |
| | 5 | 24 |
| | 24 | 10 |
| 26106-060202 | 7 | 4 |
| | 14 | 5 |
| | 23 | 5 |
| 26106-060222 | 7 | 4 -1 |
| 26106-060302 | 4 | 11 |
| | 5 | 12 |
| 26106-060352 | 14 | 13 |
| | 23 | 4 |
| 26106-060402 | 4 | 12 |
| 26106-060452 | 8 | 6 |
| | 9 | 6 |
| 26106-060502 | 4 | 13 |
| 26106-060602 | 5 | 13 |
| | | 14 |
| 26106-060652 | 4 | 14 |
| 26106-060702 | 32 | 9 |
| 26106-060802 | 5 | 15 |
| 26106-080142 | 10 | 28 |
| | | 29 |
| 26106-080182 | 35 | 24 |
| 26106-080202 | 20 | 9 |
| | 24 | 11 |
| 26106-080402 | 14 | 14 |
| 26106-080452 | 11 | 26 |
| | 22 | 12 |
| 26106-080502 | 32 | 55 |
| 26106-080652 | 28 | 9 |
| 26106-100402 | 35 | 22 |
| 26116-050102 | 32 | 10 |
| 26116-060122 | 32 | 56 |
| 26116-060304 | 33 | 11 |
| 26116-120252 | 34 | 50 |
| 26206-100252 | 6 | 5 |
| 26216-060402 | 14 | 16 |
| 26216-080222 | 14 | 15 |
| 26216-080552 | 14 | 17 |
| 26366-060002 | 4 | 20 |
| | 5 | 21 |
| | 14 | 10 |
| 26366-080002 | 11 | 27 |
| 26450-060202 | 19 | 5 |

Parts No. Index

| Parts No. | Fig. No. | Ref. No. |
|--------------|----------|----------|
| 26557-050102 | 12 | 14 |
| 26587-040102 | 26 | 29 |
| 26587-080102 | 15 | 16 |
| 26716-100002 | 35 | 19 |
| 26756-060002 | 11 | 5 |
| | | 8 |
| | | 17 |
| | | 20 |
| | 33 | 12 |
| 26979-050162 | 11 | 24 |
| 27221-060100 | 1 | 3 |
| 27231-400000 | 1 | 4 |
| 27231-450000 | 2 | 4 |
| | 3 | 4 |
| 27241-100000 | 1 | 5 |
| 27241-120000 | 2 | 5 |
| | 3 | 5 |
| 27241-250000 | 1 | 6 |
| 27241-300000 | 1 | 7 |
| | 2 | 6 |
| | 3 | 6 |
| 27241-350000 | 10 | 6 |
| 27241-400000 | 10 | 16 |
| 28110-100120 | 37 | 4 |
| 28110-140170 | 37 | 5 |
| 28110-190220 | 37 | 6 |
| 28210-000140 | 37 | 7 |
| 43400-500400 | 33 | 13 |
| 43400-500450 | 33 | 5 |
| 719225-51100 | 26 | 1 |
| 719241-92600 | 38 | 1 |
| 719241-92601 | 38 | 1 -1 |
| 719260-01560 | 1 | 1 |
| 719260-02800 | 1 | 9 |
| 719260-02870 | 1 | 16 |
| 719260-02930 | 1 | 10 |
| 719260-11520 | 12 | 6 |
| 719260-11650 | 11 | 3 |
| 719260-11660 | 11 | 6 |
| 719260-11700 | 10 | 1 |
| 719260-21700 | 16 | 1 |
| 719260-23100 | 17 | 17 |
| 719260-23600 | 17 | 21 |
| 719260-23610 | 17 | 25 |
| 719270-22500 | 17 | 2 |
| 719270-22501 | 17 | 2 -1 |
| 719270-22540 | 17 | 12 |
| 719270-22820 | 17 | 11 |
| 719288-01540 | 8 | 1 |
| 719600-01541 | 9 | 1 |

| Parts No. | Fig. No. | Ref. No. |
|--------------|----------|----------|
| 719600-01562 | 2 | 1 |
| 719600-11700 | 10 | 2 |
| 719600-22501 | 17 | 4 |
| 719600-22540 | 17 | 14 |
| 719600-22820 | 17 | 13 |
| 719610-01560 | 3 | 1 |
| 719620-02800 | 2 | 8 |
| | 3 | 8 |
| 719620-02870 | 2 | 17 |
| | 3 | 17 |
| 719620-02930 | 2 | 9 |
| | 3 | 9 |
| 719620-11520 | 12 | 7 |
| 719620-11650 | 11 | 15 |
| 719620-11660 | 11 | 18 |
| 719620-11700 | 10 | 3 |
| 719620-22500 | 17 | 6 |
| 719620-22540 | 17 | 16 |
| 719620-22820 | 17 | 15 |
| 719620-23100 | 17 | 18 |
| 719620-23600 | 17 | 24 |
| 719620-23610 | 17 | 26 |
| 719620-53100 | 27 | 1 |
| 719621-51100 | 26 | 3 |
| 719630-22502 | 17 | 4 -1 |
| 719642-92600 | 38 | 3 |
| 719642-92601 | 38 | 3 -1 |
| 719643-92600 | 38 | 2 |
| 719643-92601 | 38 | 2 -1 |
| 719660-21700 | 16 | 2 -1 |
| 719660-21701 | 16 | 2 |
| 719660-51100 | 26 | 2 |
| X0280210230 | 34 | 8 |
| X0280630011 | 34 | 2 |
| X0281003751 | 34 | 3 |
| X0282001531 | 34 | 4 |
| X0283005050 | 34 | 7 |
| X0283060061 | 34 | 16 |
| X0283270140 | 34 | 9 |
| X0283711420 | 34 | 17 |
| X0283715030 | 34 | 10 |
| X0283810040 | 34 | 11 |
| X0284004910 | 34 | 18 |
| X0285040631 | 34 | 19 |
| X0285100460 | 34 | 20 |
| X0534006460 | 34 | 22 |
| X0534040320 | 34 | 23 |
| X0534490120 | 34 | 24 |
| | | 25 |
| X0534490230 | 34 | 26 |

| Parts No. | Fig. No. | Ref. No. |
|-------------|----------|----------|
| X0534490230 | 34 | 27 |
| X0535050620 | 34 | 28 |
| X0535130241 | 34 | 29 |
| X0535130320 | 34 | 30 |
| X0536600401 | 34 | 31 |
| X9019008651 | 34 | 41 |
| X9025808001 | 34 | 42 |
| X9151005141 | 34 | 32 |
| X9490071810 | 34 | 43 |
| X9490071970 | 34 | 44 |
| X9490170900 | 34 | 33 |
| | | 34 |
| X9490200710 | 34 | 45 |
| X9490423330 | 34 | 46 -1 |
| X9490441303 | 34 | 35 |
| X9490441312 | 34 | 36 |
| X9490471500 | 34 | 46 |
| X9490502820 | 34 | 37 |
| | | 38 |
| X9490561370 | 34 | 47 |
| X9490721080 | 34 | 12 |
| X9491001360 | 34 | 5 |
| X9491001860 | 34 | 6 |
| X9491200240 | 34 | 48 |
| X9491402100 | 34 | 39 |
| | | 40 |
| X9491703371 | 34 | 13 |
| X9491703380 | 34 | 49 |
| X9491704260 | 34 | 14 |
| X9491730461 | 34 | 21 |
| XM08137 | 35 | 2 |
| XM08138 | 35 | 3 |
| XM08180 | 35 | 4 |
| XM17878 | 35 | 6 |
| XM27436 | 35 | 5 |
| | | 15 |
| XM36410 | 35 | 7 |
| XM37336 | 35 | 14 |
| XM72174 | 35 | 12 |
| XM72664 | 35 | 13 |
| XM82110 | 35 | 11 |
| XM82184 | 35 | 10 |
| XYSPS4008 | 35 | 9 |

| Parts No. | Fig. No. | Ref. No. |
|-----------|----------|----------|
|-----------|----------|----------|