

0CD10-M41400EN

PREFACE

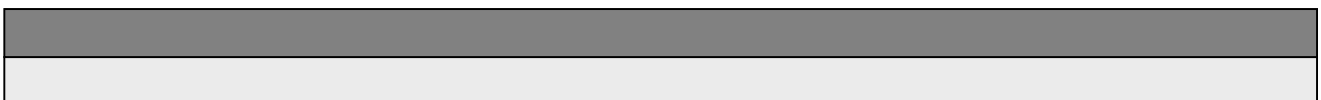
1. This Parts Catalog is the 1st edition of 3TNA68L-UNH2 Diesel Engine for NISHIHATSU.

Pub. No. : 000Y00D4140

Published : June, 1991

2. Model name

Engine model	Vehicle		Vehicle made by
	Products	Model name	
3TNA68L-UNH2	—	—	NISHIHATSU



Directions for the Parts Catalog.

1. This Parts Catalog shows both standard and optional parts.
2. Parts may change without prior notice.
3. The following is an example of the Parts Catalog format.

REF.	LEV.	PARTS NO.	DESCRIPTION	Q'TY						I	R
				(A)	(B)	(C)	(D)	(E)	(F)		
1	1	729595-51390	FUEL INJECTION PUMP	1	1	1	1	1			1
1-1	1	729595-51391	FUEL INJECTION PUMP	1	1	1	1	1		N	1
		(A=E00185) (B=E00200)									
3	2	26022-060162	SCREW M 6X 16	9	9	9	9	9			
3-1	2	26022-060162	SCREW M 6X 16	4	4	4	4	4		K	
		(A=E00156) (B=E00156) (C=E00156) (D=E00156) (E=E00156)									
4	2	129470-51040	CAMSHAFT	1	1	1	1	1			
5	2	122710-51050	BEARING, ROLLER	2	2	2	2	2			
6	2	129470-51060	RETAINER	1	1	1	1	1			

Remarks
(1) BOOST COMPEMSATOR TYPE. OPTIONAL PART, TO E00155,(4JH-DT, 4JH-DTZ

① Ref. No.

The Ref. No. listed may not be in accordance with the illustration Ref. No.

(Ex.) Illustration No.

List Ref No.

1 1 (Before change) → 1-1 (After change)

For interchangeable symbols N, R and K, illustrations for new parts may be abbreviated.

② Lev. (Level)

Level indication

The numbers below indicate the level of relativity towards the main part.

1 ---- Main parts (Assembly parts)

2 ---- Sub component included in " 1 ".

3 ---- Sub component included in " 2 ".

Note) Parts that are not for sale are partially illustrated but not listed.

③ Interchangeability Symbol

When a part change takes place, one of the following interchangeability symbols is indicated beside the part.

Symbol	Interchangeability	Contents note
N	Old $\begin{matrix} \leftarrow \text{Yes} \\ \text{No} \rightarrow \end{matrix}$ New	New Part is interchangeable for Old Part but Old Part is not interchangeable for New Part.
Q	Old $\begin{matrix} \leftarrow \text{No} \\ \text{Yes} \rightarrow \end{matrix}$ New	New Part is not interchangeable for Old Part but Old Part is interchangeable for New Part.
R	Old $\begin{matrix} \leftarrow \text{Yes} \\ \text{Yes} \rightarrow \end{matrix}$ New	New/ Old Parts are both interchangeable.
S	Old $\begin{matrix} \leftarrow \text{No} \\ \text{No} \rightarrow \end{matrix}$ New	New/ Old Parts are both not interchangeable.
W		Part newly added.
Z		Part discontinued.
F		Not interchangeable by a single part but interchangeable together with related parts.
K		Changes only for used parts quantities.

④ Effective Machine No.

When a part changes, the effective Machine No. will be indicated in the (A)-(F) column.

Product Symbol	Product No.	Product Symbol	Product No.
C	Clutch No. Compressor No.	F	Machine No. (Agricultural Equip.)
D	Drive No.	M	Machine No.
E	Engine No.		

Note 1) A date may follow the symbol. (Ex.) 1996.01

Note 2) "XXXXX" and "ZZZZZ" are for parts that could not be predicted or for engine models that could not be identified.

Note 3) (A=E00185) is the E (Engine Serial Number) for the column (A) model (in this case 4JH-DT) after the parts design change.

⑤ Remarks

Figures or alphabets (symbols) are entered in the remarks column.

The comments (remarks) on parts that are indicated at the bottom of the illustration are the same symbols as those stated above.

Contents

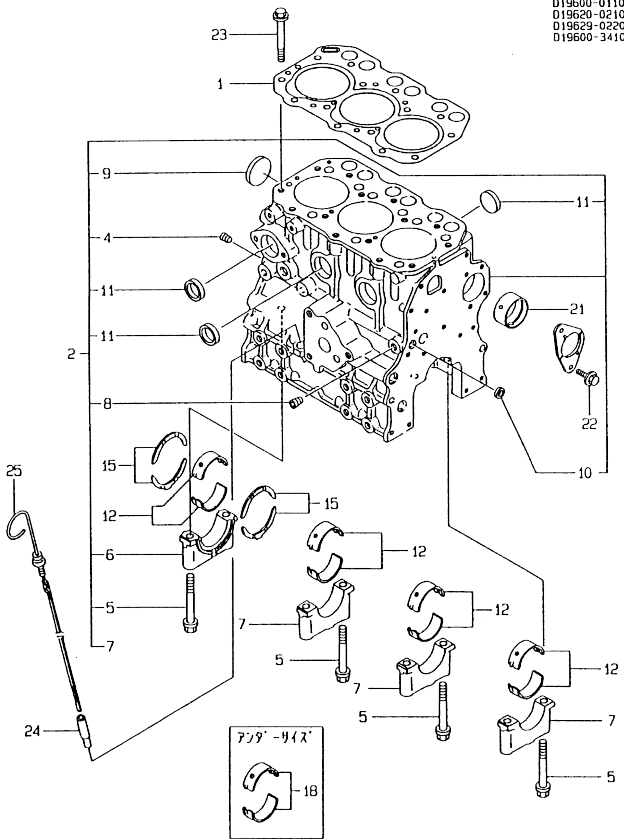
Fig. No.	Fig. Name	Fig. No.	Fig. Name
ENGINE 3TNA68L-UNH2			
1.	CYLINDER BLOCK		
2.	GEAR HOUSING		
3.	MOUNTING FLANGE & OIL SUMP		
4.	BONNET		
5.	CYLINDER HEAD		
6.	SUCTION MANIFOLD & AIR CLEANER		
7.	EXHAUST MANIFOLD		
8.	CAMSHAFT & DRIVE GEAR		
9.	CRANKSHAFT & PISTON		
10.	LUB. OIL SYSTEM		
11.	COOLING WATER PUMP		
12.	RADIATOR		
13.	FUEL INJECTION PUMP		
14.	GEVERNOR		
15.	FUEL INJECTION VALVE		
16.	FUEL PIPES		
17.	ENGINE STOPPING DEVICE		
18.	STARTING MOTOR(COMPONENT PARTS)		
19.	GENERATOR(COMPONENT PARTS)		
20.	ELECTRIC PARTS		
21.	GASKET SET(OPTIONAL) & TOOLS		

OCD10-M41400

Fig.1. CYLINDER BLOCK

Y00D4140
3TNA68L-UNH2

D19600-01100
019620-02100
019620-02300
019600-34100



(A)=3TNA68L-UNH2
(B)=
(C)=

(D)=
(E)=
(F)=

No.	Lev.	Parts No.	Description	Q'ty						I	R
				(A)	(B)	(C)	(D)	(E)	(F)		
1	1	119656-01340	GASKET, HEAD	1							
2	1	119600-01003	BLOCK ASSY, CYLINDER	1							
4	2	119600-01050	PLUG, PT1/4	1							
5	2	119620-02020	BOLT, METAL CAP	8							
6	2	119620-02300	CAP, MAIN BEARING	1							
7	2	119620-02310	CAP, MAIN BEARING	3							
8	2	23871-010000	PLUG, R01	1							
9	2	27231-450000	PLUG 45	1							
10	2	27241-120000	PLUG, 12	1							
11	2	27241-300000	PLUG 30	6							
12	1	719620-02800	BEARING, MAIN	4							
15	1	719620-02930	BEARING, THRUST	2							
18	1	719620-02870	BEARING, 0.25 US	4							1
21	1	119620-02410	BUSH, CAMSHAFT	1							
22	1	26106-060122	BOLT, M6X 12 PLATED	2							
23	1	119620-01200	BOLT, HEAD	14							
24	1	121520-34810	GUIDE, DIPSTICK	1							
25	1	119600-34820	DIPSTICK, OIL	1							

Remarks
(1) UNDER SIZE(U.S=0.25)PART.

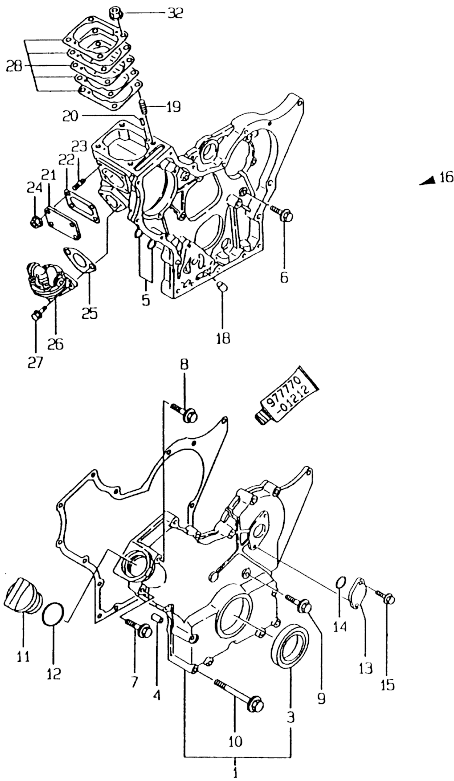
N:Old $\frac{100}{100}$ New, Q:Old $\frac{100}{100}$ New, R:Old $\frac{100}{100}$ New, S:Old $\frac{100}{100}$ New, W:Add, Z:Discontinued, F:Interchangeable by set, K:Q'ty Change
Copyright (C) YANMAR CO., LTD. All Rights Reserved.

OCD10-M41400

Fig.2. GEAR HOUSING

Y0004140
31NA68L-UNH2

019610-01200
019600-01320
019600-01800
719643-51300



(A)=3TNA68L-UNH2
(B)=
(C)=

(D)=
(E)=
(F)=

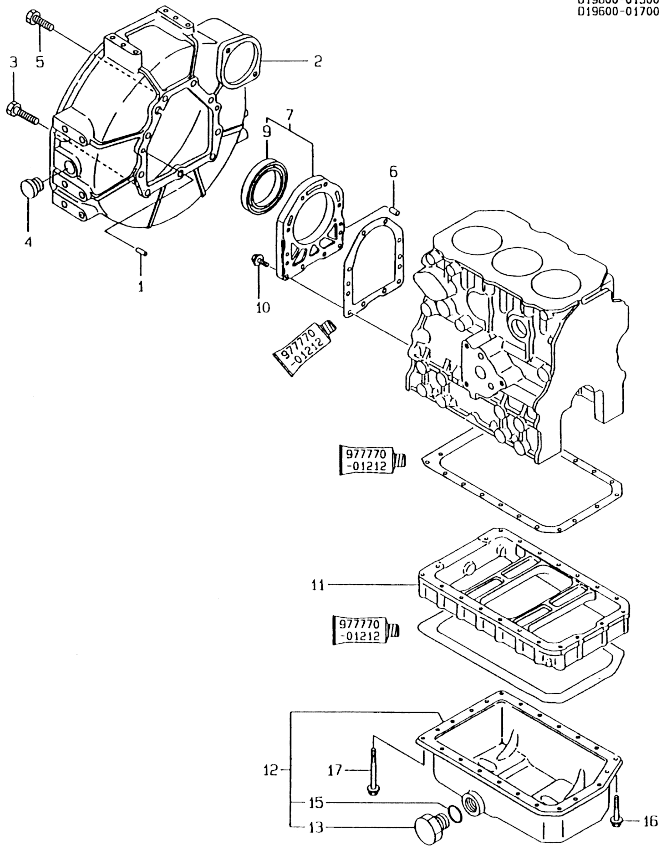
No.	Lev.	Parts No.	Description	Q'ty						I	R
				(A)	(B)	(C)	(D)	(E)	(F)		
1	1	119610-01590	COVER ASSY,GEAR CASE	1							
3	2	119620-01800	SEAL, OIL	1							
4	1	119660-01911	PIPE, KNOCK	4							
5	1	24311-000120	O-RING, 1AP12.0	2							
6	1	26106-060162	BOLT, M6X 16 PLATED	7							
7	1	26106-060302	BOLT, M6X 30 PLATED	8							
8	1	26106-060602	BOLT, M6X 60 PLATED	1							
9	1	26106-060602	BOLT, M6X 60 PLATED	3							
10	1	26106-060802	BOLT, M6X 80 PLATED	6							
11	1	124160-01751	COVER, FILLER	1							
12	1	24311-000320	O-RING, 1AP32.0	1							
13	1	121023-01550	COVER	1							
14	1	24341-000240	O-RING, 1AS24.0	1							
15	1	26106-060182	BOLT, M6X 18 PLATED	2							
16	1	119610-01490	CASE ASSY, GEAR	1							
18	2	119660-01510	PLUG, 10X14	1							
19	2	121450-01560	STUD, M8X22	4							
20	2	22351-040010	PIN, SPRING 4.0X10	2							
21	1	119660-01551	COVER	1							
22	1	119660-01562	GASKET	1							
23	1	119660-01570	STUD, M6X12	4							
24	1	26366-060002	NUT, M6	4							
25	1	121520-01851	GASKET	1							
26	1	119600-52021	PUMP ASSY, FUEL FEED	1							
27	1	26014-060202	BOLT, M6X 20	2							
28	1	119620-01950	SHIM SET, ADJUSTING	1							
32	1	194990-22050	NUT, M8	4							

OCD10-M41400

Fig.3. MOUNTING FLANGE & OIL SUMP

Y0004140
3TNA68L-UNH2

D19600-01400
D19600-01500
D19600-01700



(A)=3TNA68L-UNH2
(B)=
(C)=

(D)=
(E)=
(F)=

No.	Lev.	Parts No.	Description	Q'ty						I	R
				(A)	(B)	(C)	(D)	(E)	(F)		
1	1	129100-01580	PIN, M8X16	2							
2	1	119600-01600	HOUSING, FLYWHEEL	1							
3	1	121120-01620	BOLT, M10X28	3							
4	1	119620-01750	CAP	1							
5	1	26206-100252	BOLT, M10X 25 PLATED	6							
6	1	119620-01620	PIN, M6X10	2							
7	1	119660-01640	CASE ASSY, OIL SEAL	1							
9	2	124085-02220	SEAL, OIL	1							
10	1	26106-060222	BOLT, M6X 22 PLATED	10							
11	1	119600-01722	SPACER, OIL SUMP	1							
12	1	119600-01770	SUMP ASSY, OIL	1							
13	2	171301-01640	PLUG, 22	1							
15	2	24341-000240	O-RING, 1AS24.0	1							
16	1	26106-060122	BOLT, M6X 12 PLATED	3							
17	1	26106-060452	BOLT, M6X 45 PLATED	20							

N:Old $\frac{New}{Old}$ New, Q:Old $\frac{New}{Old}$ New, R:Old $\frac{New}{Old}$ New, S:Old $\frac{New}{Old}$ New, W:Add, Z:Discontinued, F:Interchangeable by set, K:Q'ty Change
Copyright (C) YANMAR CO., LTD. All Rights Reserved.

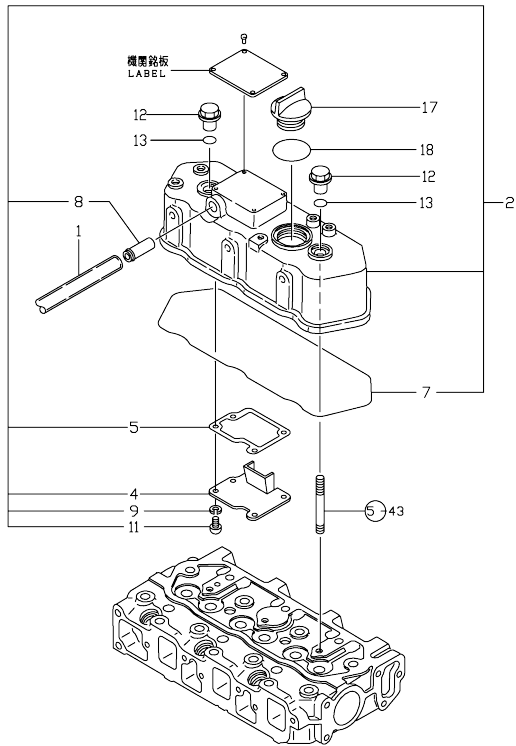
OCD10-M41400

Fig.4. BONNET

Y00D4140
3TNA68L-UNH2

4 ホンネット
BONNET

D19305-03110
D19610-11310



(A)=3TNA68L-UNH2
(B)=
(C)=

(D)=
(E)=
(F)=

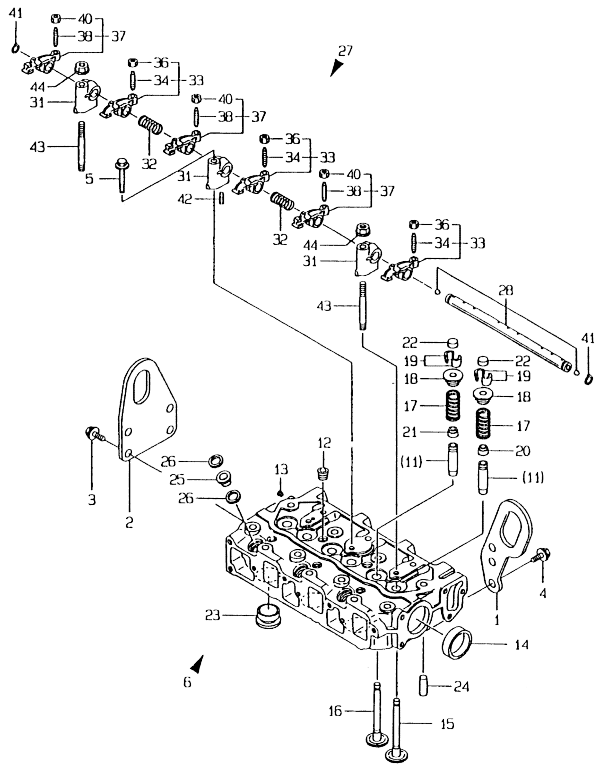
No.	Lev.	Parts No.	Description	Q'ty						I	R
				(A)	(B)	(C)	(D)	(E)	(F)		
1	1	23065-120500	PIPE, 12X 500	1							
2	1	119620-11330	BONNET ASSY, HEAD	1							
3	2	124160-01751	COVER, FILLER	1							
4	2	119620-03020	PLATE, SHELTER	1							
5	2	119620-03031	GASKET	1							
7	2	119620-11310	GASKET, BONNET	1							
8	2	119620-11390	JOINT	1							
9	2	22217-050000	WASHER, SPRING 5	4							
10	2	24311-000320	O-RING, 1AP32.0	1							
11	2	26557-050102	SCREW, MSX10	4							
12	1	124160-11360	KNOB	2							
13	1	24311-000120	O-RING, 1AP12.0	2							

OCD10-M41400

Fig.5. CYLINDER HEAD

Y0004140
31N66L-UNH2

D19633-07300
D19600-11110
D19620-11200



(A)=3TNA68L-UNH2
(B)=
(C)=

(D)=
(E)=
(F)=

No.	Lev.	Parts No.	Description	Qty						I	R	
				(A)	(B)	(C)	(D)	(E)	(F)			
1	1	119260-07900	LIFTER	1								
2	1	119632-07900	LIFTER	1								
3	1	26106-060122	BOLT, M6X 12 PLATED	4								
4	1	26106-080142	BOLT, M8X 14 PLATED	1								
5	1	26106-080452	BOLT, M8X 45 PLATED	1								
6	1	119600-11101	HEAD ASSY, CYLINDER	1								
11	2	119620-11801	GUIDE, VALVE	6								1
12	2	121850-11860	PLUG, PT1/4	2								
13	2	27221-050080	PLUG, 5X 8	1								
14	2	27241-400000	PLUG, 40	2								
15	1	119620-11100	VALVE, INTAKE	3								
16	1	119620-11110	VALVE, EXHAUST	3								
17	1	119620-11120	SPRING, VALVE	6								
18	1	119620-11180	RETAINER, SPRING	6								
19	1	101158-11190	COTTER	6								
19-1	1	27310-070001	COTTER, 7	6								N
		(A=EXXXXX)										
20	1	124160-11340	SEAL, VALVE STEM	3								
21	1	124950-11340	SEAL, VALVE STEM	3								
22	1	104211-11370	CAP, VALVE	6								
23	1	119600-11410	PLUG, HOT	3								
24	1	22351-060012	PIN, SPRING 6.0X12	2								
25	1	119600-11450	PROTECTOR, NOZZLE	3								
26	1	119600-11460	GASKET, NOZZLE	6								
27	1	119620-11200	SUPPORT ASSY, ARM	1								
28	2	119620-11240	SHAFT ASSY, ROCKER	1								
31	2	119620-11260	SUPPORT, ROCKER ARM	3								
32	2	119620-11280	SPRING	2								
33	2	719620-11650	ARM ASSY, ROCKER	3								
34	3	105010-11230	SCREW, VALVE ADJUST	3								
36	3	26756-060002	NUT, LOCK M6	3								
37	2	719620-11660	ARM ASSY, ROCKER	3								
38	3	105010-11230	SCREW, VALVE ADJUST	3								
40	3	26756-060002	NUT, LOCK M6	3								
41	2	22242-000120	RING, 12	2								
42	2	26979-050162	SCREW, M5X16	1								
43	1	119620-11350	STUD	2								
44	1	26366-080002	NUT, M8	2								

Remarks
(1) REPAIR PART.

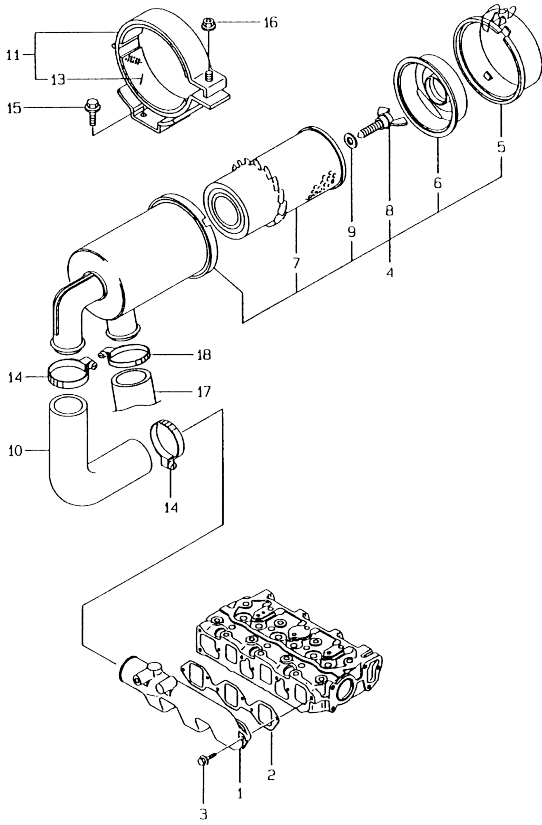
N:Old $\frac{100}{100}$ New, Q:Old $\frac{100}{100}$ New, R:Old $\frac{100}{100}$ New, S:Old $\frac{100}{100}$ New, W:Add, Z:Discontinued, F:Interchangeable by set, K:Qty Change
Copyright (C) YANMAR CO., LTD. All Rights Reserved.

OCD10-M41400

Fig.6. SUCTION MANIFOLD & AIR CLEANER

Y0004140
3TNA68L-UNH2

019645-12000
019632-12100
019643-93120

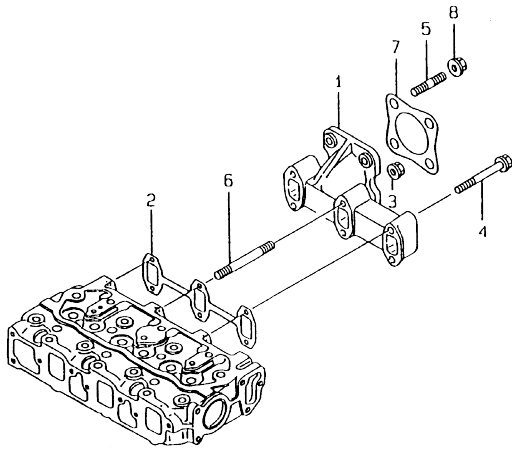


No.	Lev.	Parts No.	Description	Q'ty						I	R
				(A)	(B)	(C)	(D)	(E)	(F)		
1	1	119645-12100	MANIFOLD, AIR INTAKE	1							
2	1	119620-12111	GASKET, MANIFOLD	1							
3	1	26106-060202	BOLT, M6X 20 PLATED	6							
4	1	119632-12501	CLEANER ASSY, AIR	1							
5	2	121024-12660	PAN ASSY, DUST	1							
6	2	121465-12700	RETAINER, ELEMENT	1							
7	2	121465-12510	ELEMENT	1							
8	2	124064-12680	BOLT	1							
9	2	124064-12690	WASHER	1							
10	1	119632-12551	PIPE, AIR INTAKE	1							
11	1	119632-12590	SUPPORT ASSY,CLEANER	1							
13	2	119640-12580	SEAT, RUBBER	2							
14	1	23000-060000	CLAMP, 60	2							
15	1	26014-080202	BOLT, M8X 20	4							
16	1	26366-080002	NUT, M8	1							
17	1	171016-12590	PIPE, EXTENSION	1							
18	1	23000-060000	CLAMP, 60	1							

OCD10-M41400

Fig.7. EXHAUST MANIFOLD

Y0004140
3TNA68L-UNH2



019600-13200
019643-93120

(A)=3TNA68L-UNH2
(B)=
(C)=

(D)=
(E)=
(F)=

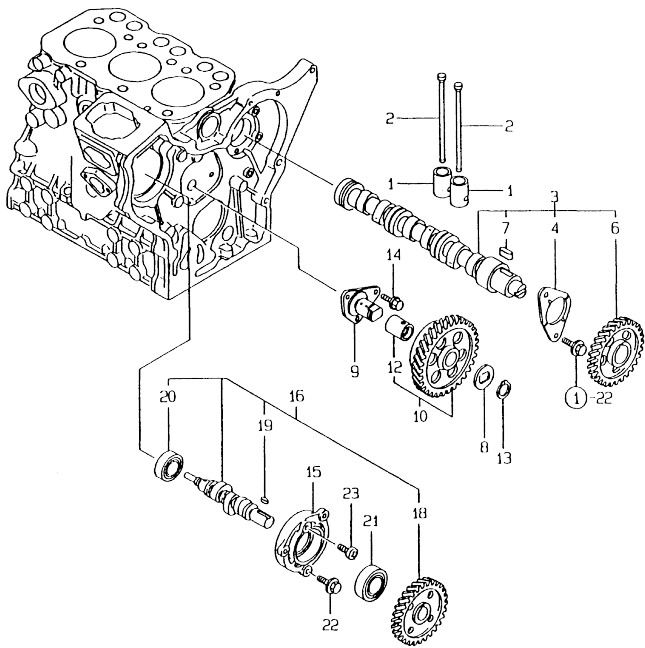
No.	Lev.	Parts No.	Description	Q'ty					
				(A)	(B)	(C)	(D)	(E)	(F)
1	1	119600-13100	MANIFOLD, EXHAUST	1					
2	1	119620-13110	GASKET	1					
3	1	194990-22050	NUT, M8	2					
4	1	26106-080402	BOLT, M8X 40 PLATED	4					
5	1	26216-080222	STUD, M8X 22	4					
6	1	26216-080552	STUD, M8X 55	2					
7	1	121000-13200	GASKET, SILENCER	1					

OCD10-M41400

Fig.8. CAMSHAFT & DRIVE GEAR

Y0004140
31NA68L-UNH2

019620-14100
019660-25101
719643-51300



(A)=3TNA68L-UNH2
(B)=
(C)=

(D)=
(E)=
(F)=

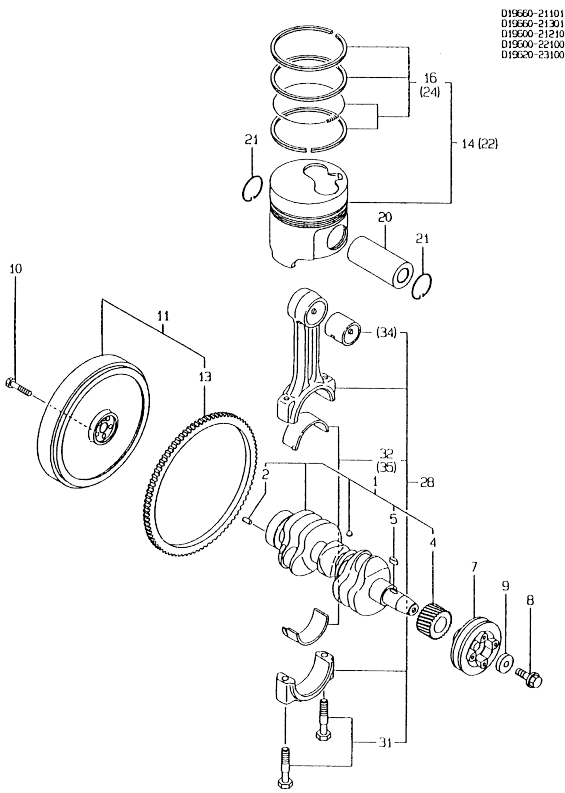
No.	Lev.	Parts No.	Description	Q'ty						I	R
				(A)	(B)	(C)	(D)	(E)	(F)		
1	1	119620-14200	TAPPET	6							
2	1	119620-14400	ROD, PUSH	6							
3	1	119629-14580	CAMSHAFT ASSY	1							
4	2	119620-02450	BEARING, THRUST	1							
6	2	119620-14100	GEAR, CAMSHAFT	1							
7	2	22512-040120	KEY, 4X 12	1							
8	1	119660-25022	RETAINER	1							
9	1	119660-25052	SHAFT, IDLE	1							
10	1	119620-25102	GEAR ASSY, IDLE	1							
12	2	119620-25062	BUSH, IDLE GEAR	1							
13	1	22242-000200	RING, 20	1							
14	1	26106-060122	BOLT, M6X 12 PLATED	3							
15	1	119660-01821	BEARING, FUEL CAM	1							
16	1	719660-14590	CAMSHAFT	1							
18	2	119660-25902	GEAR, PUMP	1							
19	2	22512-040120	KEY, 4X 12	1							
20	2	24102-063034	BEARING, BALL 6303U	1							
21	1	24101-062034	BEARING, BALL 6203	1							
22	1	26106-060162	BOLT, M6X 16 PLATED	3							
23	1	26587-080102	SCREW, M8X10	1							

N:Old $\frac{New}{Old}$ New, Q:Old $\frac{New}{Old}$ New, R:Old $\frac{New}{Old}$ New, S:Old $\frac{New}{Old}$ New, W:Add, Z:Discontinued, F:Interchangeable by set, K:Qty Change
Copyright (C) YANMAR CO., LTD. All Rights Reserved.

OCD10-M41400

Fig.9. CRANKSHAFT & PISTON

Y0004140
31W6L-11P



No.	Lev.	Parts No.	Description	Q'ty						I	R
				(A)	(B)	(C)	(D)	(E)	(F)		
1	1	719660-21700	CRANKSHAFT ASSY	1							
2	2	129100-01580	PIN, M8X16	1							
4	2	119660-21201	GEAR, CRANKSHAFT	1							
5	2	22512-040120	KEY, 4X 12	1							
7	1	119660-21651	V-PULLEY	1							
8	1	119621-21680	BOLT, FLANGE 12X1.25	1							
9	1	119620-21941	WASHER	1							
10	1	121111-21501	BOLT, FLYWHEEL	5							
11	1	119600-21580	FLYWHEEL ASSY	1							
13	2	119865-21600	GEAR, RING	1							
14	1	119600-22092	PISTON ASSY	3							
16	2	719630-22502	RING SET, PISTON	3							
20	1	119620-22300	PIN, PISTON	3							
21	1	22252-000210	RING, 21	6							
22	1	719600-22820	PISTON ASSY, 0.25 OS	3							M
22-1	1	119600-22900	PISTON ASSY, 0.25 OS	3							
24	2	719600-22540	RING SET, 0.25 OS	3							M
24-1	2	119600-22950	RING SET, 0.25 OS	3							
28	1	719620-23100	ROD ASSY, CONNECTING	3							
31	2	105225-23200	BOLT, CONNECTING ROD	6							
32	2	719620-23600	BEARING, CRANK PIN	3							
34	1	119620-23910	BEARING, PISTON PIN	3							2
35	1	719620-23610	BEARING ASSY, 0.25	3							3

Remarks

- (1) OVER SIZE(O.S=0.25)PART.
- (2) REPAIR PART.
- (3) UNDER SIZE(U.S=0.25)PART.

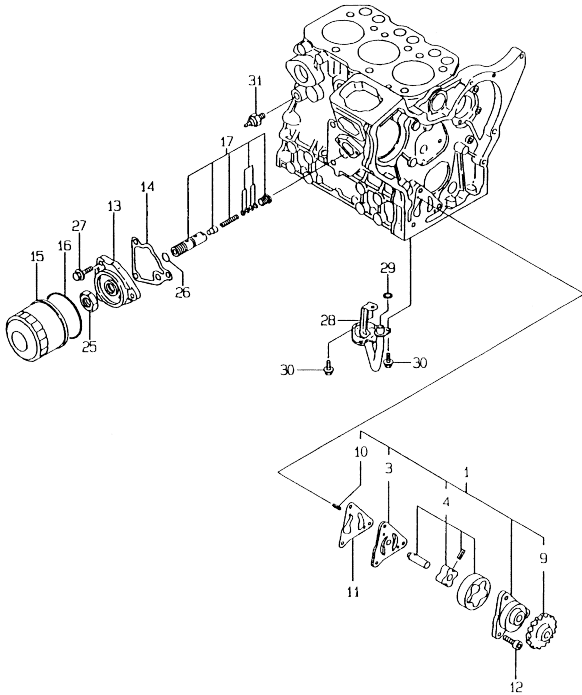
N:Old $\frac{100}{100}$ New, Q:Old $\frac{100}{100}$ New, R:Old $\frac{100}{100}$ New, S:Old $\frac{100}{100}$ New, W:Add, Z:Discontinued, F:Interchangeable by set, K:Q'ty Change
Copyright (C) YANMAR CO., LTD. All Rights Reserved.

OCD10-M41400

Fig.10. LUB. OIL SYSTEM

Y0004140
31946A-1H2

019660-32100
019660-35100
019660-35300
019660-35100



No.	Lev.	Parts No.	Description	Q'ty						I	R
				(A)	(B)	(C)	(D)	(E)	(F)		
1	1	119660-32001	PUMP ASSY, OIL	1							
3	2	119660-32080	COVER	1							
4	2	119660-32150	ROTOR ASSY	1							
9	2	119660-32200	GEAR, OIL PUMP	1							
10	2	22351-040014	PIN, SPRING 4.0X14	2							
11	1	119660-32020	GASKET, PUMP	1							
12	1	26450-060202	BOLT, M6X 20	3							
13	1	119660-35102	BRACKET, FILTER	1							
14	1	119660-35113	GASKET	1							
15	1	119660-35150	FILTER, LUB. OIL	1							
15-1	1	119305-35151	FILTER ASSY, D68XL65	1						N	1
		(A=EXXXXX)									
16	2	124450-35110	O-RING	1							Z
		(A=EXXXXX)									
17	1	119660-35300	VALVE ASSY, CONTROL	1							
25	1	129150-35350	NUT	1							
26	1	24311-000160	O-RING, 1AP16.0	1							
27	1	26106-080202	BOLT, M8X 20 PLATED	3							
28	1	119600-35091	PIPE ASSY, OIL INLET	1							
29	1	24311-000120	O-RING, 1AP12.0	1							
30	1	26106-060102	BOLT, M6X 10 PLATED	2							
31	1	124160-39450	SWITCH, 0.5KG	1							

Remarks
(1)O-ring is integrated type.
(integrated to the LO filter)

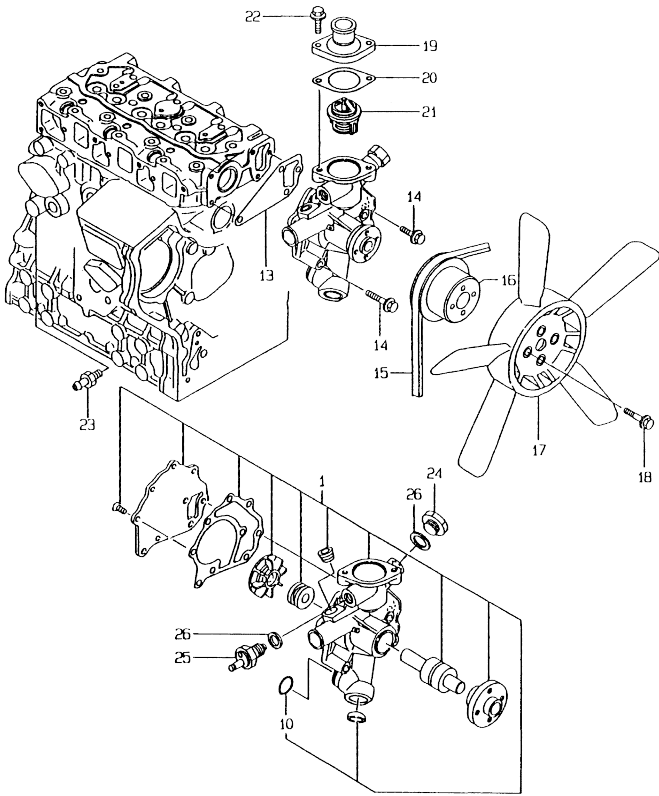
N:Old $\frac{100}{100}$ New, Q:Old $\frac{100}{100}$ New, R:Old $\frac{100}{100}$ New, S:Old $\frac{100}{100}$ New, W:Add, Z:Discontinued, F:Interchangeable by set, K:Qty Change
Copyright (C) YANMAR CO., LTD. All Rights Reserved.

OCD10-M41400

Fig.11. COOLING WATER PUMP

Y0004140
311W68L-UNH2

発行No. 000Y0004140-1
更新年月: 2007.02
REVISED: Febru, 2007



(A)=3TNA68L-UNH2
(B)=
(C)=

(D)=
(E)=
(F)=

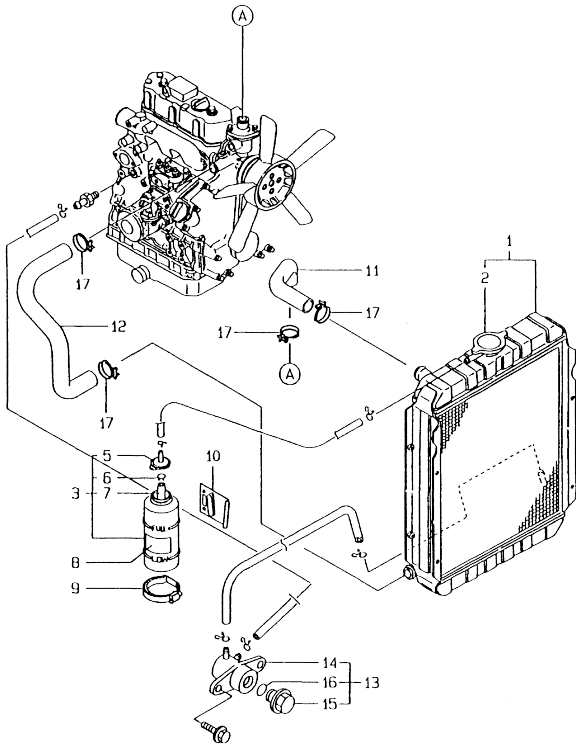
No.	Lev.	Parts No.	Description	Q'ty						I	R
				(A)	(B)	(C)	(D)	(E)	(F)		
1	1	119660-42004	PUMP ASSY, WATER	1							
10	2	119620-42320	O-RING	1							
13	1	119620-42020	GASKET, WATER PUMP	1							
14	1	26106-080452	BOLT, M8X 45 PLATED	4							
15	1	119656-42290	V-BELT, FM35.5	1							
16	1	119660-42350	V-PULLEY	1							
17	1	124700-44740	FAN, COOLING 5X310	1							
18	1	26014-060162	BOLT, M6X 16	4							
19	1	129350-49530	COVER, THERMOSTAT	1							
20	1	129350-49541	GASKET	1							
21	1	129350-49800	THERMOSTAT, 71	1							
22	1	26106-080202	BOLT, M8X 20 PLATED	2							
23	1	121550-49111	JOINT, PT1/4	1							
24	1	121450-42450	PLUG, M16	1							
25	1	121250-44901	SWITCH, 110	1							
26	1	124465-44950	GASKET, 16	2							

OCD10-M41400

Fig.12. RADIATOR

Y0004140
31NA68L-UNH2

019543 93120



(A)=3TNA68L-UNH2
(B)=
(C)=

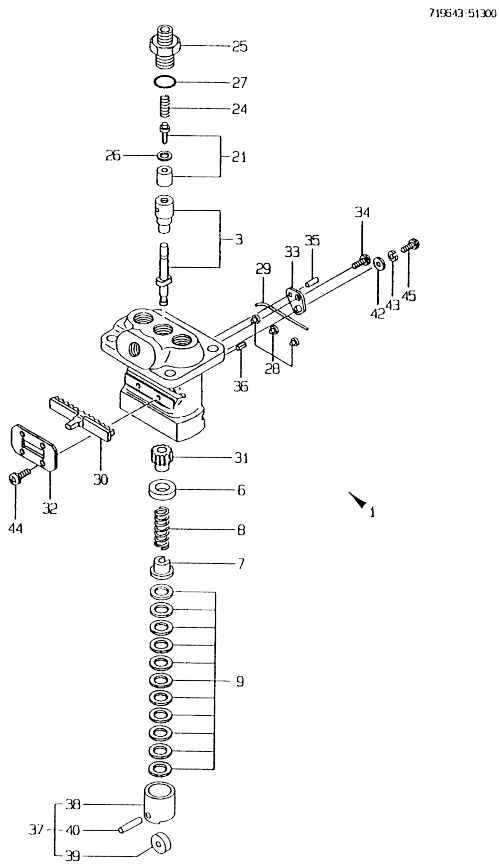
(D)=
(E)=
(F)=

No.	Lev.	Parts No.	Description	Q'ty					
				(A)	(B)	(C)	(D)	(E)	(F)
1	1	171002-44502	RADIATOR	1					
2	2	123682-44210	CAP, RADIATOR	1					
3	1	124450-44510	TANK ASSY, SUB	1					
5	2	124450-44530	CAP	1					
6	2	124450-44560	RETAINER	1					
7	2	23061-070230	PIPE, 7X 230	1					
8	1	121470-44540	LABEL, SUB-TANK	1					
9	1	124450-44550	BAND	1					
10	1	121256-44600	BRACKET, SUB TANK	1					
11	1	119645-49010	PIPE, WATER	1					
12	1	119645-49020	PIPE, WATER	1					
13	1	121450-49110	COCK ASSY, 3-WAY	1					
14	2	121450-49100	BODY, 3-WAY COCK	1					
15	2	121250-49121	PLUG, DRAIN	1					
16	2	24311-000160	O-RING, 1AP16.0	1					
17	1	23010-038000	CLAMP, 38	4					

OCD10-M41400

Fig.13. FUEL INJECTION PUMP

Y0004140
31NA68L-UNH2



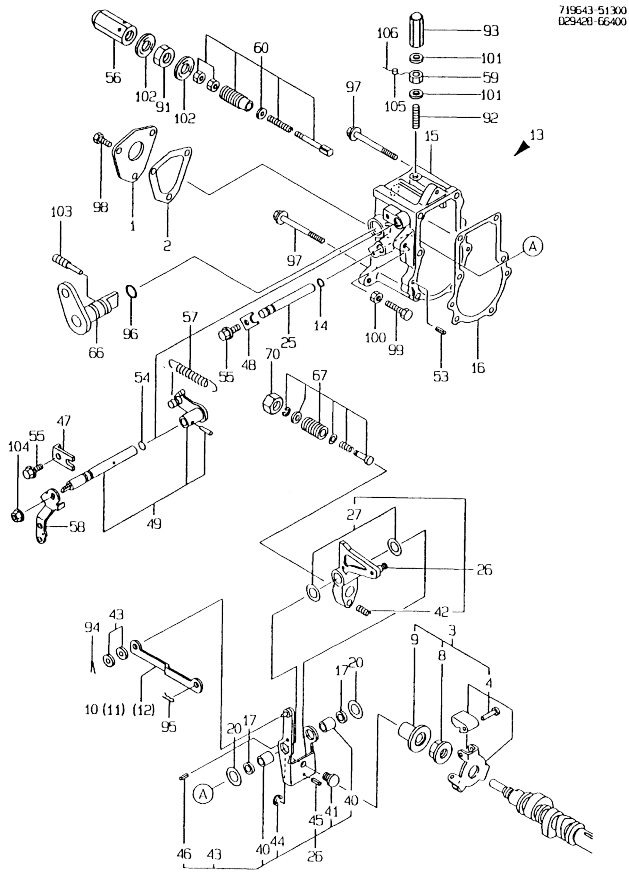
No.	Lev.	Parts No.	Description	Q'ty					
				(A)	(B)	(C)	(D)	(E)	(F)
1	1	719660-51100	PUMP ASSY, INJECTION	1					
3	2	119620-51101	PLUNGER ASSY	3					
6	2	119620-51170	RETAINER, SPRING A	3					
7	2	119620-51180	RETAINER, SPRING B	3					
8	2	119620-51190	SPRING, PLUNGER	3					
9	2	119620-51250	SHIM SET	3					
21	2	119620-51300	VALVE ASSY, DELIVERY	3					
24	2	105546-51330	SPRING, DELIVERY	3					
25	2	119620-51340	HOLDER, DELIVERY	3					
26	2	119620-51350	GASKET	3					
27	2	119620-51370	O-RING	3					
28	2	119620-51450	PIECE	3					
29	2	119620-51461	PIN	1					
30	2	119660-51500	RACK, CONTROL	1					
31	2	119620-51510	PINION	3					
32	2	119660-51530	RETAINER, RACK	1					
33	2	119620-51650	PLATE	2					
34	2	119620-51660	SCREW	2					
35	2	119620-51670	PIN	2					
36	2	119620-51680	PIN	1					
37	2	119620-51700	TAPPET ASSY	3					
38	3	119620-51200	TAPPET	3					
39	3	119620-51220	ROLLER	3					
40	3	119620-51230	PIN, ROLLER	3					
42	2	22137-040000	WASHER, 4	2					
43	2	22217-040000	WASHER, SPRING 4	2					
44	2	26022-040082	SCREW, M4X 8	4					
45	2	26587-040102	SCREW, M4X10	2					

N:Old $\frac{100}{100}$ New, Q:Old $\frac{100}{100}$ New, R:Old $\frac{100}{100}$ New, S:Old $\frac{100}{100}$ New, W:Add, Z:Discontinued, F:Interchangeable by set, K:Qty Change
Copyright (C) YANMAR CO., LTD. All Rights Reserved.

OCD10-M41400

Fig.14. GEVERNOR

Y0004140
31NAGEB-UN2



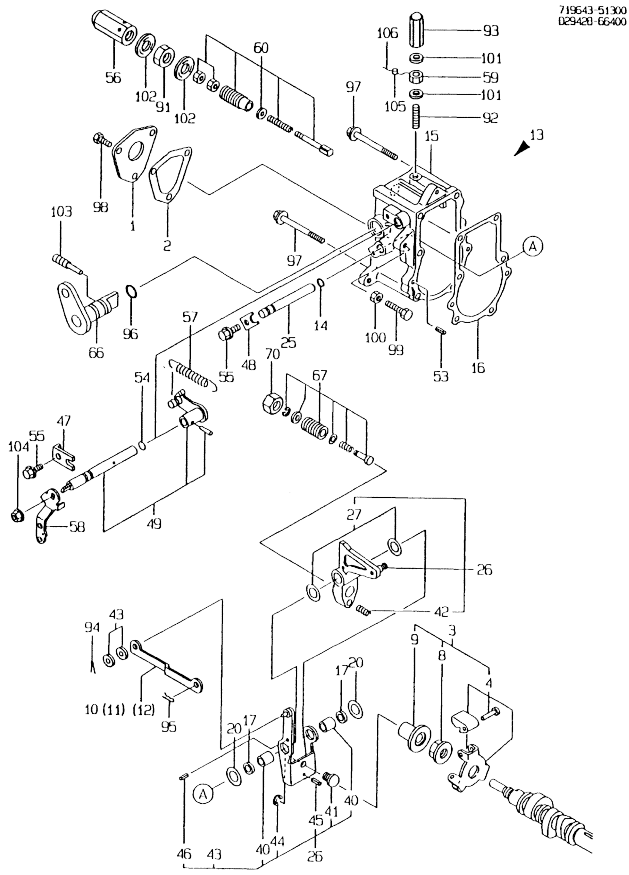
No.	Lev.	Parts No.	Description	Q'ty						I	R
				(A)	(B)	(C)	(D)	(E)	(F)		
1	1	119660-61060	COVER, GOVERNOR CASE	1							
2	1	119660-61071	GASKET	1							
3	1	119600-61100	DRIVE ASSY	1							
4	2	119600-61200	WEIGHT ASSY,GOVERNOR	1							
8	2	119660-61300	NUT	1							
9	2	119660-61341	SLEEVE	1							
10	1	119660-61121	LINK, NO MARK	1							
11	1	119660-61140	LINK, MARK :2	1							
12	1	119660-61150	LINK, MARK :3	1							
13	1	119270-61200	CASE ASSY, GOVERNOR	1							
14	2	129155-51280	O-RING, S6	1							
15	2	119660-61013	CASE, GOVERNOR	1							
16	2	119660-61052	GASKET	1							
17	2	119660-61460	SHIM SET	1							
20	2	129155-61480	SPACER ASSY	2							
25	2	119660-61491	SHAFT	1							
26	2	119600-61500	LEVER ASSY, GOVERNOR	1							
27	3	174307-51700	SHIM SET	2							
40	3	129155-61530	BUSH	2							
41	3	119600-61540	SHIFTER	1							
42	3	119600-61650	SPRING, STARTING	1							
43	3	22117-040000	WASHER, 4	2							
44	3	22272-000040	RING, E- 4	1							
45	3	22351-020004	PIN, SPRING 2.0X 4	1							
46	3	22351-030014	PIN, SPRING 3.0X14	1							
47	2	119600-61900	RETAINER, SHAFT	1							
48	2	119660-61901	RETAINER, SHAFT	1							
49	2	119621-66091	SHAFT ASSY	1							
53	2	22351-040010	PIN, SPRING 4.0X10	2							
54	2	24341-000070	O-RING, 1AS7.0	1							
55	2	26106-060102	BOLT, M6X 10 PLATED	2							
56	1	129100-61930	NUT, CAP	1							
57	1	119600-66020	SPRING, REGULATOR	1							
58	1	119621-66051	LEVER, REGULATOR	1							
59	1	124550-66370	NUT, M6	1							
60	1	119600-66530	LIMITER ASSY, FUEL	1							
66	1	119643-66560	LEVER, STOP	1							
67	1	119600-66700	ANGLEICH ASSY	1							
70	2	129155-61590	NUT, LOCK	1							
91	1	124772-66750	NUT, LOCK M12	1							
92	1	121575-66830	SCREW	1							
93	1	119600-66840	NUT, CAP	1							
94	1	22360-040000	PIN, SNAP 4	1							
95	1	22360-060000	PIN, SNAP 6	1							
96	1	24311-240100	O-RING, 1AP10A	1							
97	1	26106-060702	BOLT, M6X 70 PLATED	6							
98	1	26116-050102	BOLT, M5X 10 PLATED	3							
99	1	26116-060304	BOLT, M6X 30 PLATED	1							
100	1	26756-060002	NUT, LOCK M6	1							
101	1	43400-500400	SEAL WASHER 6	2							
102	1	43400-500450	SEAL WASHER 12S	2							

N:Old $\frac{New}{Old}$ New, Q:Old $\frac{New}{Old}$ New, R:Old $\frac{New}{Old}$ New, S:Old $\frac{New}{Old}$ New, W:Add, Z:Discontinued, F:Interchangeable by set, K:Q'ty Change
 ++ CONTINUE ++ Copyright (C) YANMAR CO., LTD. All Rights Reserved.

OCD10-M41400

Fig.14. GEVERNOR

Y0004140
31NA68L-UNH2



No.	Lev.	Parts No.	Description	Q'ty						I	R
				(A)	(B)	(C)	(D)	(E)	(F)		
103	1	124250-03640	SCREW	1							
104	1	194990-22050	NUT, M8	1							
105	1	135210-61090	LEAD	1							
106	1	22451-060000	WIRE, 0.6	1							

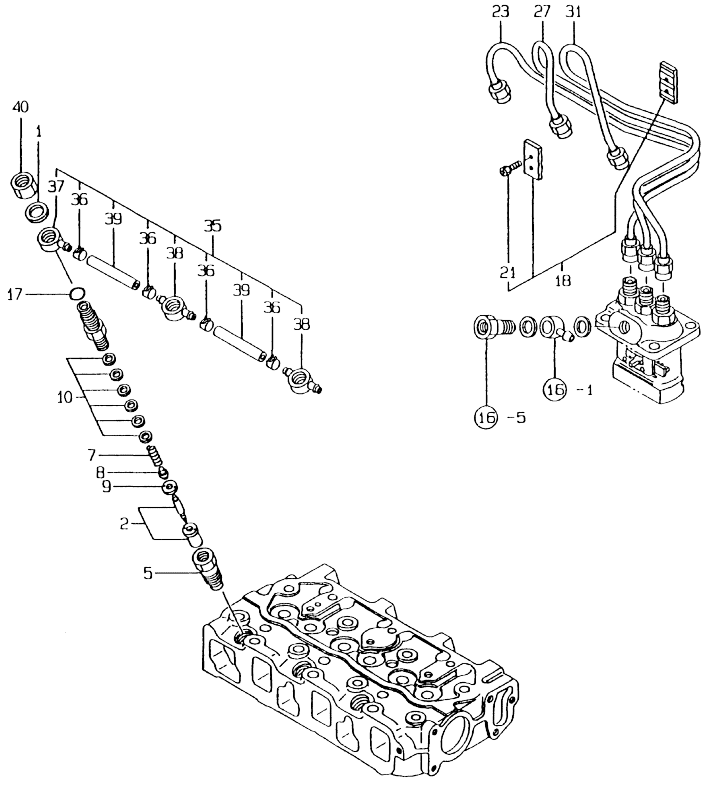
N:Old $\frac{100}{100}$ New, Q:Old $\frac{100}{100}$ New, R:Old $\frac{100}{100}$ New, S:Old $\frac{100}{100}$ New, W:Add, Z:Discontinued, F:Interchangeable by set, K:Qty Change
Copyright (C) YANMAR CO., LTD. All Rights Reserved.

OCD10-M41400

Fig.15. FUEL INJECTION VALVE

Y00D4140
3TNA68L-UNH12

019620-53100
019620-59100
019620-59300



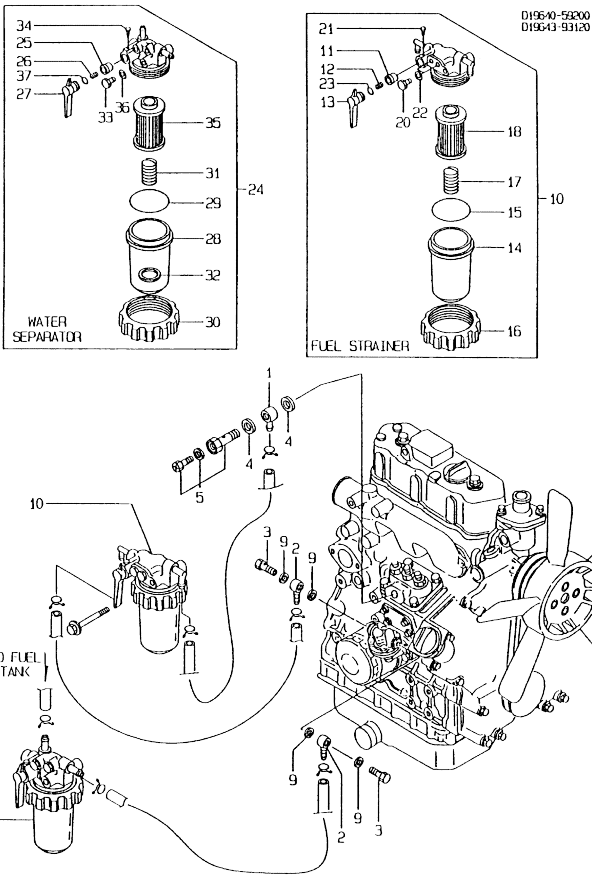
No.	Lev.	Parts No.	Description	Q'ty						I	R
				(A)	(B)	(C)	(D)	(E)	(F)		
1	1	23414-140000	GASKET, 14X1.0	3							
2	1	119620-53000	VALVE ASSY, INJECTION	3							
5	1	119620-53080	NUT, NOZZLE	3							
7	1	119620-53120	SPRING, NOZZLE	3							
8	1	114250-53130	SEAT, SPRING	3							
9	1	119620-53140	SPACER, VALVE STOP	3							
10	1	114250-53400	SHIM SET	3							
17	1	129155-61830	O-RING, S10	3							
18	1	129150-59120	RETAINER, PIPE	1							
21	2	129150-59130	BOLT, M4X12	2							
23	1	119620-59811	PIPE ASSY, INJECTION	1							
27	1	119620-59821	PIPE ASSY, INJECTION	1							
31	1	119620-59831	PIPE ASSY, INJECTION	1							
35	1	119620-59540	PIPE ASSY, FUEL	1							
36	2	124066-59100	CLIP, HOSE 8	4							
37	2	119260-59520	JOINT	1							
38	2	119260-59530	JOINT	2							
39	2	105025-59550	PIPE, FUEL RETURN	2							
40	1	119620-59700	NUT, NOZZLE	3							

N:Old $\frac{100}{100}$ New, Q:Old $\frac{100}{100}$ New, R:Old $\frac{100}{100}$ New, S:Old $\frac{100}{100}$ New, W:Add, Z:Discontinued, F:Interchangeable by set, K:Q'ty Change
Copyright (C) YANMAR CO., LTD. All Rights Reserved.

OCD10-M41400

Fig.16. FUEL PIPES

Y0004140
31NAGDL-UN#12



No.	Lev.	Parts No.	Description	Q'ty						I	R
				(A)	(B)	(C)	(D)	(E)	(F)		
1	1	101304-59020	JOINT, PIPE 12	1							
2	1	104264-59030	JOINT, PIPE 8	2							
3	1	105582-59150	BOLT, PIPE JOINT	2							
4	1	104200-59170	GASKET, 12	2							
5	1	103854-59191	BOLT ASSY, JOINT M12	1							
9	1	23414-080012	GASKET, 8X1.0	4							
10	1	171059-55600	FILTER ASSY, FUEL	1							
11	2	104200-55321	VALVE, TAPER	1							
12	2	104200-55330	SPRING, VALVE	1							
13	2	104200-55341	HANDLE	1							
14	2	121254-55510	COVER	1							
15	2	102103-55520	O-RING	1							
16	2	110250-55610	RING, RETAINING	1							
17	2	121250-55620	SPRING	1							
18	2	124550-55700	FILTER, FUEL L=90	1							
20	2	101720-55750	PLUG, 6	2							
21	2	104200-55750	SCREW, M4	1							
22	2	23418-060000	GASKET, 6X1.0	2							
23	2	24311-240100	O-RING, 1AP10A	1							
24	1	121257-55700	SEPARATOR, WATER	1							
25	2	104200-55321	VALVE, TAPER	1							
26	2	104200-55330	SPRING, VALVE	1							
27	2	104200-55341	HANDLE	1							
28	2	124064-55510	COVER	1							
29	2	102103-55520	O-RING	1							
30	2	110250-55610	RING, RETAINING	1							
31	2	121257-55720	SPRING	1							
32	2	121257-55731	FLOAT	1							
33	2	101720-55750	PLUG, 6	2							
34	2	104200-55750	SCREW, M4	1							
35	2	171081-55910	SCREEN	1							
36	2	23418-060000	GASKET, 6X1.0	2							
37	2	24311-240100	O-RING, 1AP10A	1							

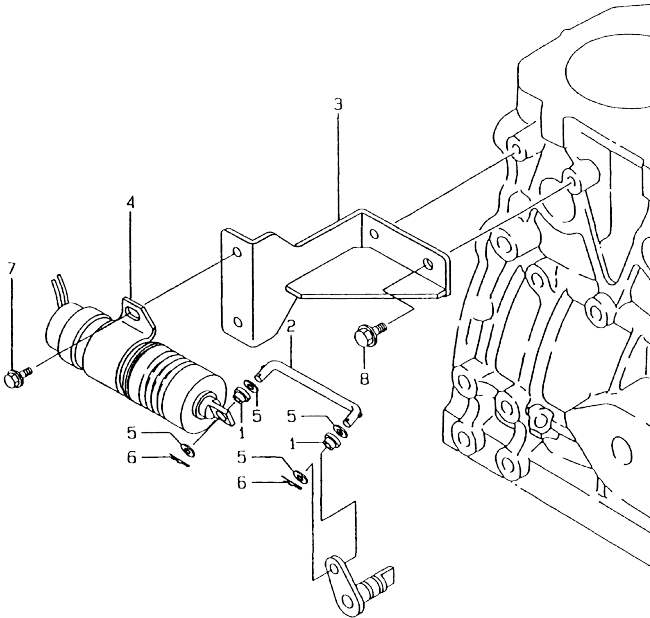
N:Old $\frac{New}{Old}$ New, Q:Old $\frac{New}{Old}$ New, R:Old $\frac{New}{Old}$ New, S:Old $\frac{New}{Old}$ New, W:Add, Z:Discontinued, F:Interchangeable by set, K:Qty Change
Copyright (C) YANMAR CO., LTD. All Rights Reserved.

OCD10-M41400

Fig.17. ENGINE STOPPING DEVICE

Y00D4140
3TNA68L-UN#12

019643-66201

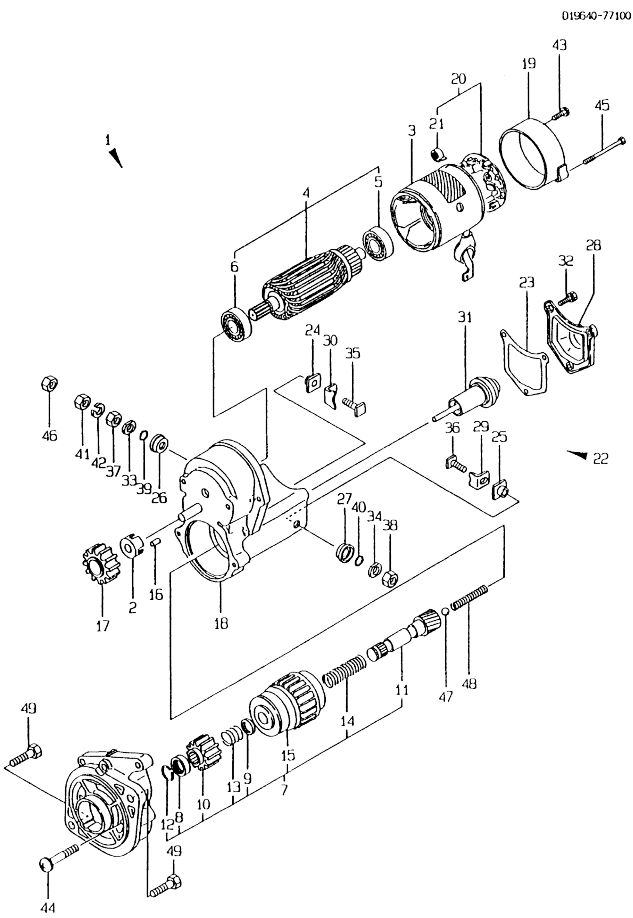


No.	Lev.	Parts No.	Description	Q'ty						I	R	
				(A)	(B)	(C)	(D)	(E)	(F)			
1	1	119245-66400	BUSH	2								
2	1	119643-66532	LINK, SOLENOID	1								
3	1	119643-66541	BRACKET, SOLENOID	1								
4	1	129155-66800	SOLENOID	1								
5	1	22137-040000	WASHER, 4	4								
6	1	22360-040000	PIN, SNAP 4	2								
7	1	26106-060102	BOLT, M6X 10 PLATED	2								
8	1	26106-080182	BOLT, M8X 18 PLATED	2								

OCD10-M41400

Fig.18. STARTING MOTOR(COMPONENT PARTS)

Y00D4140
3TNA68L-UN#12



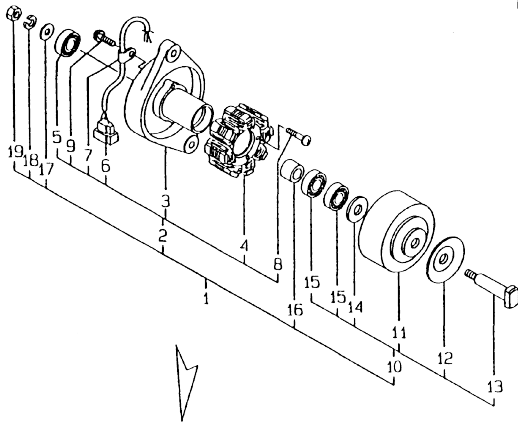
No.	Lev.	Parts No.	Description	Q'ty						I	R
				(A)	(B)	(C)	(D)	(E)	(F)		
1	1	119620-77011	STARTER	1							
2	2	X0280630011	RETAINER	1							
3	2	X0281003751	YOKE ASSY	1							
4	2	X0282001531	ARMATURE ASSY	1							
5	3	X9491001360	BEARING	1							
6	3	X9491001860	BALL BEARING	1							
7	2	X0283005050	CLUTCH, STARTER	1							
8	3	X0280210230	NUT	1							
9	3	X0283270140	RETAINER	1							
10	3	X0283715030	PINION, STARTER	1							
11	3	X0283810040	SHAFT	1							
12	3	X9490721080	RING	1							
13	3	X9491703371	SPRING, COIL	1							
14	3	X9491704260	SPRING	1							
15	3	121120-77930	CASE ASSY, STARTER	1							
16	2	X0283060061	ROLLER	5							
17	2	X0283711420	PINION	1							
18	2	X0284004910	HOUSING, STARTER	1							
19	2	X0285040631	FRAME ASSY	1							
20	2	X0285100460	HOLDER ASSY, BRUSH	1							
21	3	X9491730461	SPRING	4							
22	2	X0534006460	SWITCH, MAGNETIC	1							
23	3	X0534040320	GASKET	1							
24	3	X0534490120	BUSH	1							
25	3	X0534490120	BUSH	1							
26	3	X0534490230	BUSH	1							
27	3	X0534490230	BUSH	1							
28	3	X0535050620	COVER	1							
29	3	X0535130241	PLATE (B)	1							
30	3	X0535130320	PLATE (A)	1							
31	3	X0536600401	PLUNGER	1							
32	3	X9151005141	BOLT W/WASHER	3							
33	3	X9490170900	WASHER	1							
34	3	X9490170900	WASHER	1							
35	3	X9490441303	BOLT	1							
36	3	X9490441312	BOLT	1							
37	3	X9490502820	NUT	1							
38	3	X9490502820	NUT	1							
39	3	X9491402100	O-RING	1							
40	3	X9491402100	O-RING	1							
41	2	X9019008651	NUT	1							
42	2	X9025808001	WASHER	1							
43	2	X9490071810	SCREW W/WASHER	2							
44	2	X9490071970	SCREW W/WASHER	2							
45	2	X9490423330	BOLT W/WASHER	2							
46	2	X9490561370	NUT	1							
47	2	X9491200240	BALL	1							
48	2	X9491703380	SPRING	1							
49	1	26116-120252	BOLT, M12X 25 PLATED	2							

N:Old $\frac{100}{100}$ New, Q:Old $\frac{100}{100}$ New, R:Old $\frac{100}{100}$ New, S:Old $\frac{100}{100}$ New, W:Add, Z:Discontinued, F:Interchangeable by set, K:Q'ty Change
Copyright (C) YANMAR CO., LTD. All Rights Reserved.

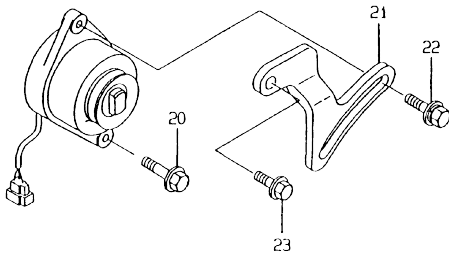
OCD10-M41400

Fig.19. GENERATOR(COMPONENT PARTS)

Y0004140
3TNA68L-UN#12



D19689-77220
D19600-77320



No.	Lev.	Parts No.	Description	Q'ty						I	R
				(A)	(B)	(C)	(D)	(E)	(F)		
1	1	171301-77201	DYNAMO ASSY, 15A	1							
2	2	XM08137	PLATE ASSY	1							
3	3	XM08138	PLATE	1							
4	3	XM08180	STATOR ASSY	1							
5	3	XM27436	BALL BEARING	1							
6	3	XM17878	COUPLER	1							
7	3	XM36410	CLAMP	1							
8	3	26022-040252	SCREW, M4X25	2							
9	3	XYSPS4008	SCREW	1							
10	2	XM82184	FLYWHEEL ASSY	1							
11	3	XM82110	FLYWHEEL	1							
12	3	XM72174	PULLEY	1							
13	3	XM72664	SHAFT	1							
14	3	XM37336	WASHER	1							
15	3	XM27436	BALL BEARING	2							
16	2	106383-44720	SPACER	1							
17	2	106383-44730	WASHER	1							
18	2	22212-100000	SPRING WASHER 10	1							
19	2	26716-100002	NUT, M10	1							
20	1	26106-100402	BOLT, M10X 40 PLATED	1							
21	1	119600-77330	ADJUSTER	1							
22	1	26014-080252	BOLT, M8X 25	1							
23	1	26106-080162	BOLT, M8X 16 PLATED	1							

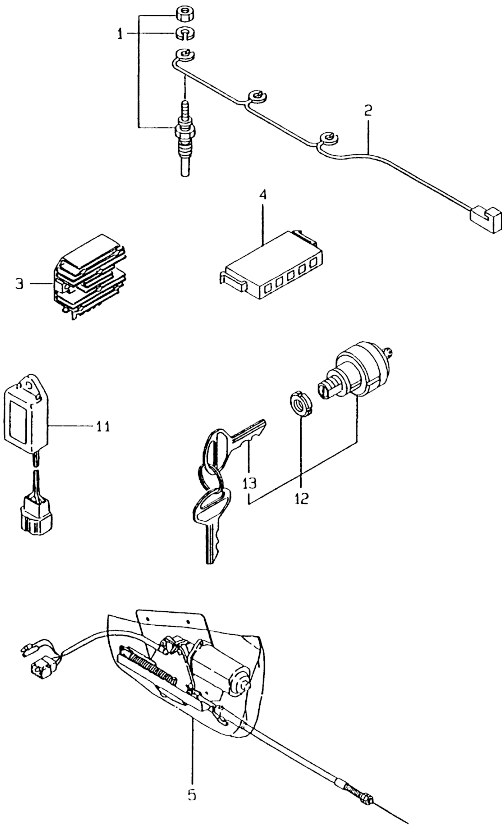
N:Old $\frac{100}{100}$ New, Q:Old $\frac{100}{100}$ New, R:Old $\frac{100}{100}$ New, S:Old $\frac{100}{100}$ New, W:Add, Z:Discontinued, F:Interchangeable by set, K:Qty Change
Copyright (C) YANMAR CO., LTD. All Rights Reserved.

OCD10-M41400

Fig.20. ELECTRIC PARTS

Y00D4140
31NAG68L-UK#12

D19664-77310
D19660-77700
D19643-93120



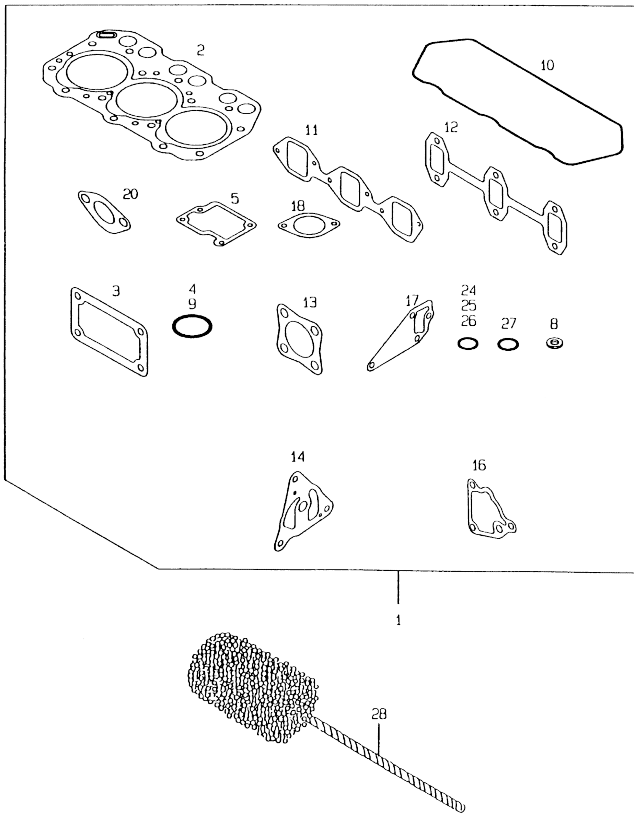
No.	Lev.	Parts No.	Description	Q'ty						I	R
				(A)	(B)	(C)	(D)	(E)	(F)		
1	1	129795-77800	PLUG, GLOW	3							
2	1	119620-77820	CONNECTOR, GLOW PLUG	1							
3	1	119660-77710	LIMITER, CURRENT 15A	1							
3-1	1	119660-77711	LIMITER, CURRENT 15A	1							N
		(A=1999.07.)									
4	1	171301-77720	COUPLER	1							
5	1	121575-77900	MOTOR, STOP	1							
11	1	128300-77920	TIMER	1							
12	1	121400-91251	SWITCH, STARTER	1							
13	2	121400-91270	KEY	2							

N:Old $\frac{100}{100}$ New. Q:Old $\frac{100}{100}$ New. R:Old $\frac{100}{100}$ New. S:Old $\frac{100}{100}$ New. W:Add. Z:Discontinued. F:Interchangeable by set. K:Qty Change
Copyright (C) YANMAR CO., LTD. All Rights Reserved.

OCD10-M41400

Fig.21. GASKET SET(OPTIONAL) & TOOLS

Y0004140
31NA68L-UN#12



No.	Lev.	Parts No.	Description	Q'ty						I	R	
				(A)	(B)	(C)	(D)	(E)	(F)			
1	1	719643-92601	GASKET SET	1							1	
2	2	119656-01340	GASKET, HEAD	1								
3	2	119660-01562	GASKET	1								
4	2	24311-000320	O-RING, 1AP32.0	1								
5	2	119620-03031	GASKET	1								
6	2	124950-11340	SEAL, VALVE STEM	3								
7	2	124160-11340	SEAL, VALVE STEM	3								
8	2	119600-11460	GASKET, NOZZLE	6								
9	2	24311-000320	O-RING, 1AP32.0	1								
10	2	119620-11310	GASKET, BONNET	1								
11	2	119620-12111	GASKET, MANIFOLD	1								
12	2	119620-13110	GASKET	1								
13	2	121000-13200	GASKET, SILENCER	1								
14	2	119660-32020	GASKET, PUMP	1								
15	2	124450-35110	O-RING	1								
16	2	119660-35113	GASKET	1								
17	2	119620-42020	GASKET, WATER PUMP	1								
18	2	129350-49541	GASKET	1								
19	2	124465-44950	GASKET, 16	2								
20	2	121520-01851	GASKET	1								
21	2	104200-59170	GASKET, 12	2								
22	2	23414-080012	GASKET, 8X1.0	4								
23	2	23414-140000	GASKET, 14X1.0	3								
24	2	24311-000120	O-RING, 1AP12.0	5								
25	2	24311-000160	O-RING, 1AP16.0	1								
26	2	24311-240100	O-RING, 1AP10A	1								
27	2	24341-000240	O-RING, 1AS24.0	2								
28	1	129400-92410	FLEX HORN	1								1

Remarks
(1) OPTIONAL PART.

N:Old $\frac{100}{100}$ New, Q:Old $\frac{100}{100}$ New, R:Old $\frac{100}{100}$ New, S:Old $\frac{100}{100}$ New, W:Add, Z:Discontinued, F:Interchangeable by set, K:Qty Change
Copyright (C) YANMAR CO., LTD. All Rights Reserved.

Parts No. Index

Parts No.	Fig. No.	Ref. No.
119660-77711	20	3 -1
119865-21600	9	13
121000-13200	7	7
	21	13
121023-01550	2	13
121024-12660	6	5
121111-21501	9	10
121120-01620	3	3
121120-77930	18	15
121250-44901	11	25
121250-49121	12	15
121250-55620	16	17
121250-55620	16	14
121254-55510	16	14
121256-44600	12	10
121257-55700	16	24
121257-55720	16	31
121257-55731	16	32
121400-91251	20	12
121400-91270	20	13
121450-01560	2	19
121450-42450	11	24
121450-49100	12	14
121450-49110	12	13
121465-12510	6	7
121465-12700	6	6
121470-44540	12	8
121520-01851	2	25
	21	20
121520-34810	1	24
121550-49111	11	23
121575-66830	14	92
121575-77900	20	5
121850-11860	5	12
123682-44210	12	2
124064-12680	6	8
124064-12690	6	9
124064-55510	16	28
124066-59100	15	36
124085-02220	3	9
124160-01751	2	11
	4	3
124160-11340	5	20
	21	7
124160-11360	4	12
124160-39450	10	31
124250-03640	14	103
124450-35110	10	16
	21	15
124450-44510	12	3
124450-44530	12	5

Parts No.	Fig. No.	Ref. No.
124450-44550	12	9
124450-44560	12	6
124465-44950	11	26
	21	19
124550-55700	16	18
124550-66370	14	59
124700-44740	11	17
124772-66750	14	91
124950-11340	5	21
	21	6
128300-77920	20	11
129100-01580	3	1
	9	2
129100-61930	14	56
129150-35350	10	25
129150-59120	15	18
129150-59130	15	21
129155-51280	14	14
129155-61480	14	20
129155-61530	14	40
129155-61590	14	70
129155-61830	15	17
129155-66800	17	4
129350-49530	11	19
129350-49541	11	20
	21	18
129350-49800	11	21
129400-92410	21	28
129795-77800	20	1
135210-61090	14	105
171002-44502	12	1
171016-12590	6	17
171059-55600	16	10
171081-55910	16	35
171301-01640	3	13
171301-77201	19	1
171301-77720	20	4
174307-51700	14	27
194990-22050	2	32
	7	3
	14	104
22117-040000	14	43
22137-040000	13	42
	17	5
22212-100000	19	18
22217-040000	13	43
22217-050000	4	9
22242-000120	5	41
22242-000200	8	13
22252-000210	9	21

Parts No.	Fig. No.	Ref. No.
22272-000040	14	44
22351-020004	14	45
22351-030014	14	46
22351-040010	2	20
	14	53
22351-040014	10	10
22351-060012	5	24
22360-040000	14	94
	17	6
22360-060000	14	95
22451-060000	14	106
22512-040120	8	7
	9	19
	9	5
23000-060000	6	14
	18	18
23010-038000	12	17
23061-070230	12	7
23065-120500	4	1
23414-080012	16	9
	21	22
23414-140000	15	1
	21	23
23418-060000	16	22
	36	36
23871-010000	1	8
24101-062034	8	21
24102-063034	8	20
24311-000120	2	5
	4	13
	10	29
	21	24
24311-000160	10	26
	12	16
	21	25
24311-000320	2	12
	4	10
	21	4
	9	9
24311-240100	14	96
	16	23
	37	37
	21	26
24341-000070	14	54
24341-000240	2	14
	3	15
	21	27
26014-060162	11	18
26014-060202	2	27
26014-080202	6	15

Parts No.	Fig. No.	Ref. No.
26014-080252	19	22
26022-040082	13	44
26022-040252	19	8
26106-060102	10	30
	14	55
	17	7
26106-060122	1	22
	3	16
	5	3
	8	14
26106-060162	2	6
	8	22
26106-060182	2	15
26106-060202	6	3
26106-060222	3	10
26106-060302	2	7
26106-060452	3	17
26106-060602	2	8
	9	9
26106-060702	14	97
26106-060802	2	10
26106-080142	5	4
26106-080162	19	23
26106-080182	17	8
26106-080202	10	27
	11	22
26106-080402	7	4
26106-080452	5	5
	11	14
26106-100402	19	20
26116-050102	14	98
26116-060304	14	99
26116-120252	18	49
26206-100252	3	5
26216-080222	7	5
26216-080552	7	6
26366-060002	2	24
26366-080002	5	44
	6	16
26450-060202	10	12
26557-050102	4	11
26587-040102	13	45
26587-080102	8	23
26716-100002	19	19
26756-060002	5	36
	14	40
	14	100
26979-050162	5	42
27221-050080	5	13
27231-450000	1	9

Parts No. Index

Parts No.	Fig. No.	Ref. No.
27241-120000	1	10
27241-300000	1	11
27241-400000	5	14
27310-070001	5	19 -1
43400-500400	14	101
43400-500450	14	102
719600-22540	9	24
719600-22820	9	22
719620-02800	1	12
719620-02870	1	18
719620-02930	1	15
719620-11650	5	33
719620-11660	5	37
719620-23100	9	28
719620-23600	9	32
719620-23610	9	35
719630-22502	9	16
719643-92601	21	1
719660-14590	8	16
719660-21700	9	1
719660-51100	13	1
X0280210230	18	8
X0280630011	18	2
X0281003751	18	3
X0282001531	18	4
X0283005050	18	7
X0283060061	18	16
X0283270140	18	9
X0283711420	18	17
X0283715030	18	10
X0283810040	18	11
X0284004910	18	18
X0285040631	18	19
X0285100460	18	20
X0534006460	18	22
X0534040320	18	23
X0534490120	18	24
		25
X0534490230	18	26
		27
X0535050620	18	28
X0535130241	18	29
X0535130320	18	30
X0536600401	18	31
X9019008651	18	41
X9025808001	18	42
X9151005141	18	32
X9490071810	18	43
X9490071970	18	44
X9490170900	18	33

Parts No.	Fig. No.	Ref. No.
X9490170900	18	34
X9490423330	18	45
X9490441303	18	35
X9490441312	18	36
X9490502820	18	37
		38
X9490561370	18	46
X9490721080	18	12
X9491001360	18	5
X9491001860	18	6
X9491200240	18	47
X9491402100	18	39
		40
X9491703371	18	13
X9491703380	18	48
X9491704260	18	14
X9491730461	18	21
XM08137	19	2
XM08138	19	3
XM08180	19	4
XM17878	19	6
XM27436	19	5
		15
XM36410	19	7
XM37336	19	14
XM72174	19	12
XM72664	19	13
XM82110	19	11
XM82184	19	10
XYSPS4008	19	9

Parts No.	Fig. No.	Ref. No.
-----------	----------	----------

Parts No.	Fig. No.	Ref. No.
-----------	----------	----------