

0CD10-M43200EN

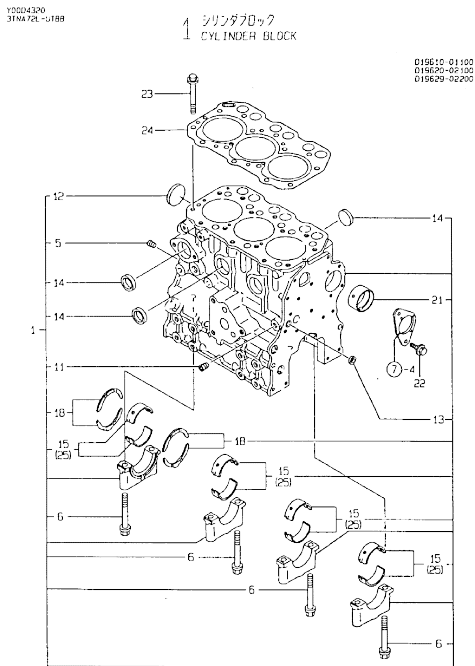
Contents

0CD10-M43200

Fig. No.	Fig. Name	Fig. No.	Fig. Name
3TNA72L-UTBB			
1.	CYLINDER BLOCK		
2.	GEAR HOUSING		
3.	MOUNTING FLANGE & OIL SUMP		
4.	CYLINDER HEAD & BONNET		
5.	SUCTION MANIFOLD & AIR CLEANER		
6.	EXHAUST MANIFOLD & SILENCER		
7.	CAMSHAFT & DRIVE GEAR		
8.	CRANKSHAFT & PISTON		
9.	LUB. OIL SYSTEM		
10.	COOLING WATER SYSTEM		
11.	FUEL INJECTION PUMP		
12.	GOVERNOR		
13.	FUEL INJECTION VALVE		
14.	FUEL PIPES		
15.	STARTING MOTOR		
16.	GENERATOR		
17.	GASKET SET(OPTIONAL PART)		

OCD10-M43200 3TNA72L-UTBB
 Fig.1. CYLINDER BLOCK

OCD10-M43200 Fig.1



No.	Lev.	Parts No.	Description	Q'ty						I	R
				(A)	(B)	(C)	(D)	(E)	(F)		
1	1	719610-01560	BLOCK ASSY, CYLINDER	1							
5	2	119600-01050	PLUG, PT1/4	1							
6	2	119620-02020	BOLT, METAL CAP	8							
11	2	23871-010000	PLUG, R01	1							
12	2	27231-450000	PLUG 45	1							
13	2	27241-120000	PLUG, 12	1							
14	2	27241-300000	PLUG 30	6							
15	2	719620-02800	BEARING, MAIN	4							
18	2	719620-02930	BEARING, THRUST	2							
21	2	119620-02410	BUSH, CAMSHAFT	1							
22	1	26106-060122	BOLT, M6X 12 PLATED	2							
23	1	119620-01200	BOLT, HEAD	14							
24	1	119610-01340	GASKET, HEAD	1							
25	1	719620-02870	BEARING, 0.25 US	4							1

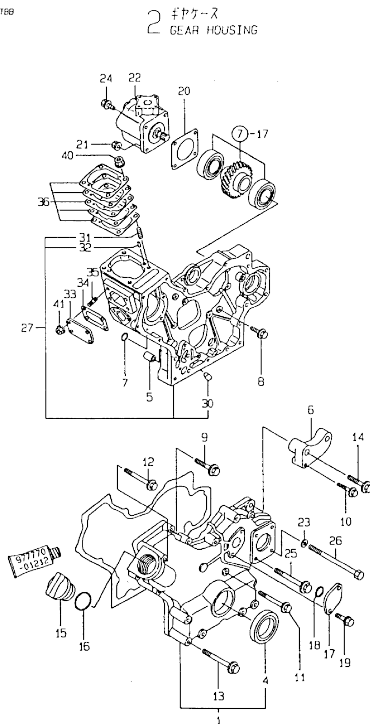
Remarks
 (1) UNDER-SIZE(U.S=0.25)PART.

N:Old $\frac{100}{100}$ New, Q:Old $\frac{100}{100}$ New, R:Old $\frac{100}{100}$ New, S:Old $\frac{100}{100}$ New, W:Add, Z:Discontinued, F:Interchangeable by set, K:Qty Change
 Copyright (C) YANMAR GLOBAL CS CO., LTD. All Rights Reserved.

OCD10-M43200 3TNA72L-UTBB
 Fig.2. GEAR HOUSING

OCD10-M43200 Fig.2

Y0004320
 3TNA72L-UTBB



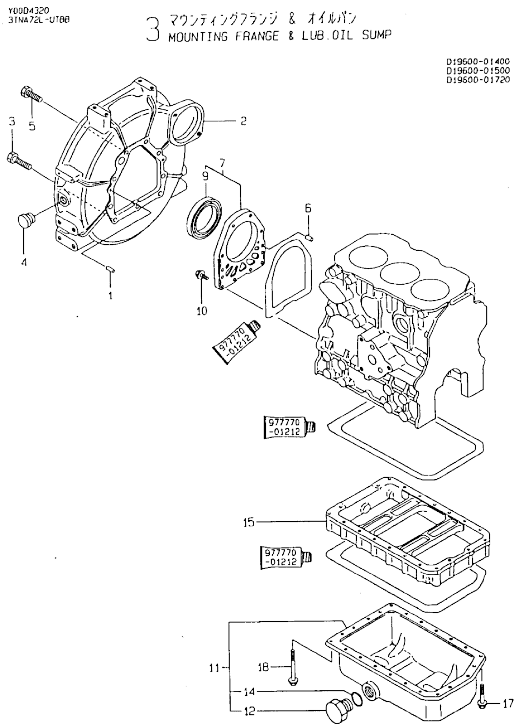
019640-01200
 019650-01300
 019630-01830
 019641-06230
 019632-51320

(A)=3TNA72L-UTBB
 (B)=
 (C)=

(D)=
 (E)=
 (F)=

No.	Lev.	Parts No.	Description	Q'ty						I	R
				(A)	(B)	(C)	(D)	(E)	(F)		
1	1	119660-01590	COVER ASSY,GEAR CASE	1							
4	2	119620-01800	SEAL, OIL	1							
5	1	119660-01911	PIPE, KNOCK	4							
6	1	119640-77250	BRACKET, GENERATOR	1							
7	1	24311-000120	O-RING, 1AP12.0	2							
8	1	26106-060162	BOLT, M6X 16 PLATED	7							
9	1	26106-060302	BOLT, M6X 30 PLATED	5							
10	1	26106-060502	BOLT, M6X 50 PLATED	1							
11	1	26106-060602	BOLT, M6X 60 PLATED	3							
12	1	26106-060602	BOLT, M6X 60 PLATED	1							
13	1	26106-060802	BOLT, M6X 80 PLATED	6							
14	1	26106-100602	BOLT, M10X 60 PLATED	1							
15	1	124160-01751	COVER, FILLER	1							
16	1	24311-000320	O-RING, 1AP32.0	1							
17	1	121023-01550	COVER	1							
18	1	24341-000240	O-RING, 1AS24.0	1							
19	1	26106-060182	BOLT, M6X 18 PLATED	2							
20	1	124240-01883	GASKET	1							
21	1	194990-22050	NUT, M8	3							
22	1	119462-26020	PUMP ASSY, HYDRAULIC	1							
23	1	22137-080000	WASHER, 8	2							
24	1	26106-080202	BOLT, M8X 20 PLATED	1							
25	1	26106-080752	BOLT, M8X 75 PLATED	1							
26	1	26116-081302	BOLT, M8X130 PLATED	2							
27	1	119660-01492	CASE ASSY, GEAR	1							
30	2	119660-01510	PLUG, 10X14	1							
31	2	121450-01560	STUD, M8X22	4							
32	2	22351-040010	PIN, SPRING 4.0X10	2							
33	1	119660-01551	COVER	1							
34	1	119660-01562	GASKET	1							
35	1	119660-01570	STUD, M6X12	4							
36	1	119620-01950	SHIM SET, ADJUSTING	1							
40	1	194990-22050	NUT, M8	4							
41	1	26366-060002	NUT, M6	4							

Fig.3. MOUNTING FLANGE & OIL SUMP



(A)=3TNA72L-UTBB
(B)=
(C)=

(D)=
(E)=
(F)=

No.	Lev.	Parts No.	Description	Q'ty						I	R	
				(A)	(B)	(C)	(D)	(E)	(F)			
1	1	129100-01580	PIN, M8X16									
2	1	119600-01600	HOUSING, FLYWHEEL	2								
3	1	121120-01620	BOLT, M10X28	3								
4	1	119620-01750	CAP	1								
5	1	26206-100252	BOLT, M10X 25 PLATED	6								
6	1	119620-01620	PIN, M6X10	2								
7	1	119660-01640	CASE ASSY, OIL SEAL	1								
9	2	124085-02220	SEAL, OIL	1								
10	1	26106-060222	BOLT, M6X 22 PLATED	10								
11	1	719631-01540	SUMP ASSY, OIL	1								
12	2	171301-01640	PLUG, 22	1								
14	2	24341-000240	O-RING, 1AS24.0	1								
15	1	119600-01722	SPACER, OIL SUMP	1								
17	1	26106-060122	BOLT, M6X 12 PLATED	3								
18	1	26106-060452	BOLT, M6X 45 PLATED	20								

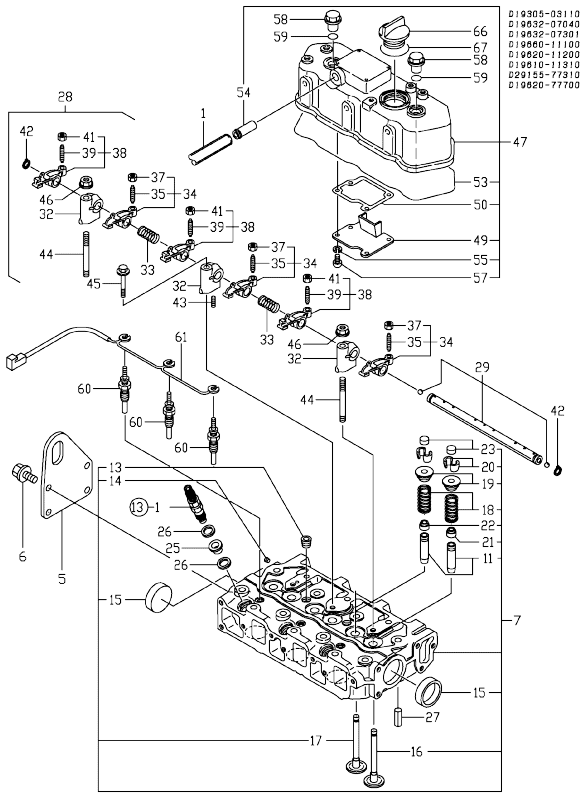
Fig.4. CYLINDER HEAD & BONNET

(A)=3TNA72L-UTBB
(B)=
(C)=

(D)=
(E)=
(F)=

Y00D4320
3TNA72L-UTBB

4 シリンダヘッド @ ボンネット
CYLINDER HEAD @ BONNET



No.	Lev.	Parts No.	Description	Q'ty						I	R
				(A)	(B)	(C)	(D)	(E)	(F)		
1	1	23065-120500	PIPE, 12X 500	1							
5	1	119632-07900	LIFTER	1							
6	1	26106-060122	BOLT, M6X 12 PLATED	4							
7	1	719660-11700	HEAD ASSY, CYLINDER	1							1
11	2	119620-11801	GUIDE, VALVE	6							
13	2	121850-11860	PLUG, PT1/4	2							
14	2	27221-050080	PLUG, 5X 8	1							
15	2	27241-400000	PLUG, 40	2							
16	2	119620-11100	VALVE, INTAKE	3							
17	2	119620-11110	VALVE, EXHAUST	3							
18	2	119620-11120	SPRING, VALVE	6							
19	2	119620-11180	RETAINER, SPRING	6							
20	2	101158-11190	COTTER	6							
21	2	124160-11340	SEAL, VALVE STEM	3							
22	2	124950-11340	SEAL, VALVE STEM	3							
23	2	104211-11370	CAP VALVE	6							
25	1	119600-11450	PROTECTOR, NOZZLE	3							
26	1	119600-11460	GASKET, NOZZLE	6							
27	1	22351-060012	PIN, SPRING 6.0X12	2							
28	1	119620-11200	SUPPORT ASSY, ARM	1							
29	2	119620-11240	SHAFT ASSY, ROCKER	1							
32	2	119620-11260	SUPPORT, ROCKER ARM	3							
33	2	119620-11280	SPRING	2							
34	2	719620-11650	ARM ASSY, ROCKER	3							
35	3	105010-11230	SCREW, VALVE ADJUST	3							
37	3	26756-060002	NUT, LOCK M6	3							
38	2	719620-11660	ARM ASSY, ROCKER	3							
39	3	105010-11230	SCREW, VALVE ADJUST	3							
41	3	26756-060002	NUT, LOCK M6	3							
42	2	22242-000120	RING, 12	2							
43	2	26979-050162	SCREW, M5X16	1							
44	1	119620-11350	STUD	2							
45	1	26106-080452	BOLT, M8X 45 PLATED	1							
46	1	26366-080002	NUT, M8	2							
47	1	119620-11330	BONNET ASSY, HEAD	1							
49	2	119620-03020	PLATE, SHELTER	1							
50	2	119620-03031	GASKET	1							
53	2	119620-11310	GASKET, BONNET	1							
54	2	119620-11390	JOINT	1							
55	2	22217-050000	WASHER, SPRING 5	4							
57	2	26557-050102	SCREW, M5X10	4							
58	1	124160-11360	KNOB	2							
59	1	24311-000120	O-RING, 1AP12.0	2							
60	1	129155-77801	PLUG, GLOW	3							
61	1	119620-77820	CONNECTOR, GLOW PLUG	1							
66	1	124160-01751	COVER, FILLER	1							
67	1	24311-000320	O-RING, 1AP32.0	1							

Remarks
(1) REPAIR PART.

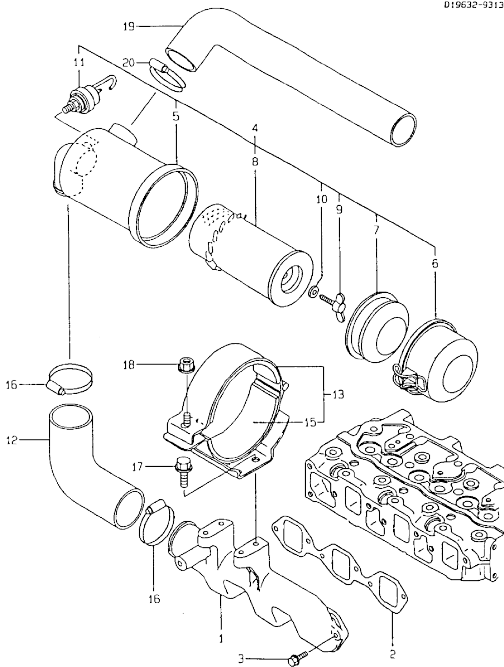
N:Old $\frac{100}{100}$ New, Q:Old $\frac{100}{100}$ New, R:Old $\frac{100}{100}$ New, S:Old $\frac{100}{100}$ New, W:Add, Z:Discontinued, F:Interchangeable by set, K:Q'ty Change
Copyright (C) YANMAR GLOBAL CS CO., LTD. All Rights Reserved.

Fig.5. SUCTION MANIFOLD & AIR CLEANER

Y0004320
3TNA72L-UTBB

5 吸気マニホールド & エアクリーナ
SUC. MANIFOLD & AIR CLEANER

019645-12260
019632-12530
019632-93130



(A)=3TNA72L-UTBB
(B)=
(C)=

(D)=
(E)=
(F)=

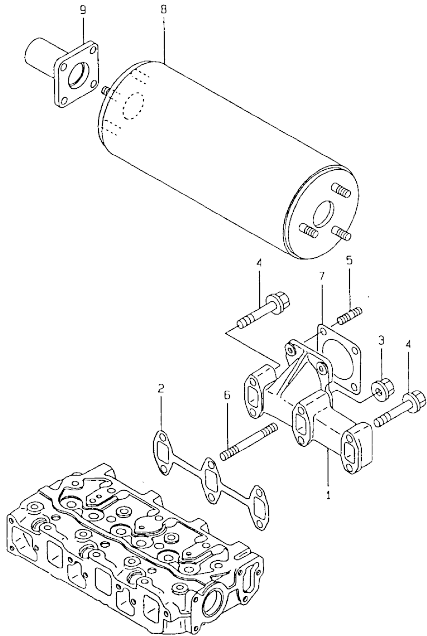
No.	Lev.	Parts No.	Description	Q'ty						I	R
				(A)	(B)	(C)	(D)	(E)	(F)		
1	1	119645-12100	MANIFOLD, AIR INTAKE	1							
2	1	119620-12111	GASKET, MANIFOLD	1							
3	1	26106-060202	BOLT, M6X 20 PLATED	6							
4	1	119632-12520	CLEANER ASSY, AIR	1							
5	2	119632-12530	BODY, AIR CLEANER	1							
6	2	121024-12660	PAN ASSY, DUST	1							
7	2	121465-12700	RETAINER, ELEMENT	1							
8	2	121465-12510	ELEMENT	1							
9	2	124064-12680	BOLT	1							
10	2	124064-12690	WASHER	1							
11	2	121262-12800	INDICATOR	1							
12	1	119632-12551	PIPE, AIR INTAKE	1							
13	1	119632-12590	SUPPORT ASSY,CLEANER	1							
15	2	119640-12580	SEAT, RUBBER	2							
16	1	23000-060000	CLAMP, 60	2							
17	1	26014-080202	BOLT, M8X 20	4							
18	1	26366-080002	NUT, M8	1							
19	1	119632-12211	PIPE, AIR INTAKE	1							
20	1	23000-060000	CLAMP, 60	1							

Fig.6. EXHAUST MANIFOLD & SILENCER

Y00D4320
3TNA72L-UTBB

6 ハイキマニホールド & サイレンサ
EXH MANIFOLD & SILENCER

□19600-132001K
□19632-52139



(A)=3TNA72L-UTBB
(B)=
(C)=

(D)=
(E)=
(F)=

No.	Lev.	Parts No.	Description	Q'ty					
				(A)	(B)	(C)	(D)	(E)	(F)
1	1	119600-13100	MANIFOLD, EXHAUST	1					
2	1	119620-13110	GASKET	1					
3	1	194990-22050	NUT, M8	2					
4	1	26106-080402	BOLT, M8X 40 PLATED	4					
5	1	26216-080222	STUD, M8X 22	4					
6	1	26216-080552	STUD, M8X 55	2					
7	1	124701-11911	GASKET, SILENCER	2					
8	1	119232-13500	SILENCER	1					
9	1	119232-13510	PIPE	1					

OCD10-M43200 3TNA72L-UTBB

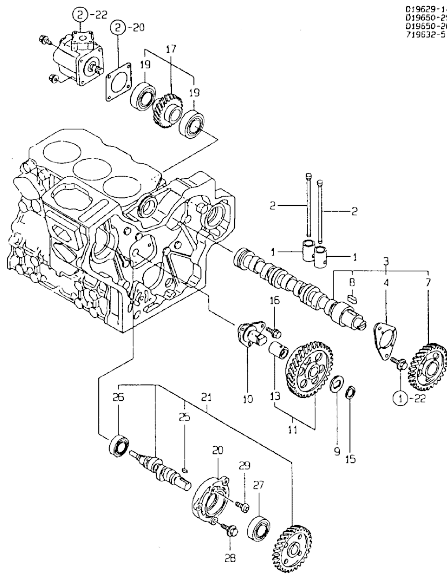
Fig.7. CAMSHAFT & DRIVE GEAR

OCD10-M43200 Fig.7

Y0004320
3TNA72L-UTBB

7 කැමර්ෂාෆ්ට් & ධ්වනි ධරාණ
CAMSHAFT & DRIVING GEAR

D:19629-14100
D:19650-25101
D:19350-26100
D:19632-51320



(A)=3TNA72L-UTBB
(B)=
(C)=

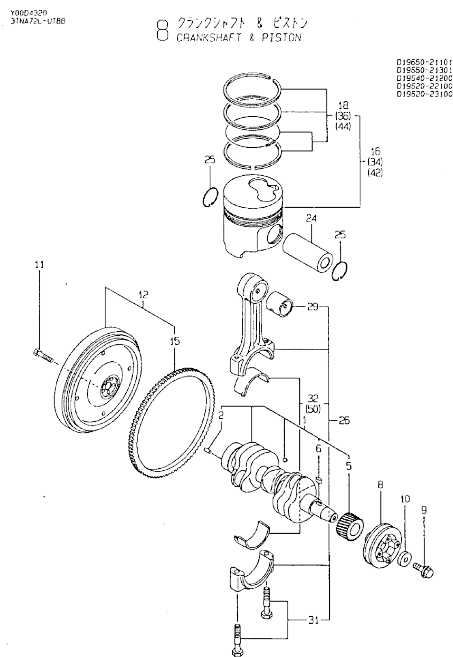
(D)=
(E)=
(F)=

No.	Lev.	Parts No.	Description	Q'ty						I	R
				(A)	(B)	(C)	(D)	(E)	(F)		
1	1	119620-14200	TAPPET	6							
2	1	119620-14400	ROD, PUSH	6							
3	1	119629-14580	CAMSHAFT ASSY	1							
4	2	119620-02450	BEARING, THRUST	1							
7	2	119620-14100	GEAR, CAMSHAFT	1							
8	2	22512-040120	KEY, 4X 12	1							
9	1	119660-25022	RETAINER	1							
10	1	119660-25052	SHAFT, IDLE	1							
11	1	119620-25102	GEAR ASSY, IDLE	1							
13	2	119620-25912	BUSH	1							1
15	1	22242-000200	RING, 20	1							
16	1	26106-060122	BOLT, M6X 12 PLATED	3							
17	1	119650-26000	GEAR ASSY, PUMP	1							
19	2	129350-26490	BEARING, BALL 16005	2							
20	1	119660-01821	BEARING, FUEL CAM	1							
21	1	719660-14590	CAMSHAFT	1							
25	2	22512-040120	KEY, 4X 12	1							
26	2	24102-063034	BEARING, BALL 6303U	1							
27	1	24101-062034	BEARING, BALL 6203	1							
28	1	26106-060162	BOLT, M6X 16 PLATED	3							
29	1	26587-080102	SCREW, M8X10	1							

Remarks
(1) REPAIR PART.

N:Old $\frac{100}{100}$ New, Q:Old $\frac{100}{100}$ New, R:Old $\frac{100}{100}$ New, S:Old $\frac{100}{100}$ New, W:Add, Z:Discontinued, F:Interchangeable by set, K:Qty Change
Copyright (C) YANMAR GLOBAL CS CO., LTD. All Rights Reserved.

Fig.8. CRANKSHAFT & PISTON



(A)=3TNA72L-UTBB
(B)=
(C)=

(D)=
(E)=
(F)=

No.	Lev.	Parts No.	Description	Q'ty						I	R
				(A)	(B)	(C)	(D)	(E)	(F)		
1	1	719660-21700	CRANKSHAFT ASSY	1							
2	2	129100-01580	PIN, M8X16	1							
5	2	119660-21201	GEAR, CRANKSHAFT	1							
6	2	22512-040120	KEY, 4X 12	1							
8	1	119660-21651	V-PULLEY	1							
9	1	119621-21680	BOLT, FLANGE 12X1.25	1							
10	1	119620-21941	WASHER	1							
11	1	121111-21501	BOLT, FLYWHEEL	5							
12	1	119640-21590	FLYWHEEL ASSY	1							
15	2	119865-21600	GEAR, RING	1							
16	1	119620-22090	PISTON ASSY	3							
18	2	719620-22500	RING SET, PISTON	3							
24	1	119620-22300	PIN, PISTON	3							
25	1	22252-000210	RING, 21	6							
26	1	719620-23100	ROD ASSY, CONNECTING	3							
29	2	119620-23910	BEARING, PISTON PIN	3							1
31	2	105225-23200	BOLT, CONNECTING ROD	6							
32	2	719620-23600	BEARING, CRANK PIN	3							
34	1	119620-22900	PISTON ASSY, 0.25 OS	3							2
36	2	119620-22950	RING SET, 0.25 OS	3							2
42	1	119620-22920	PISTON ASSY, 0.50 OS	3							3
44	2	119620-22970	RING SET, 0.50 OS	3							3
50	1	719620-23610	BEARING ASSY, 0.25	3							4

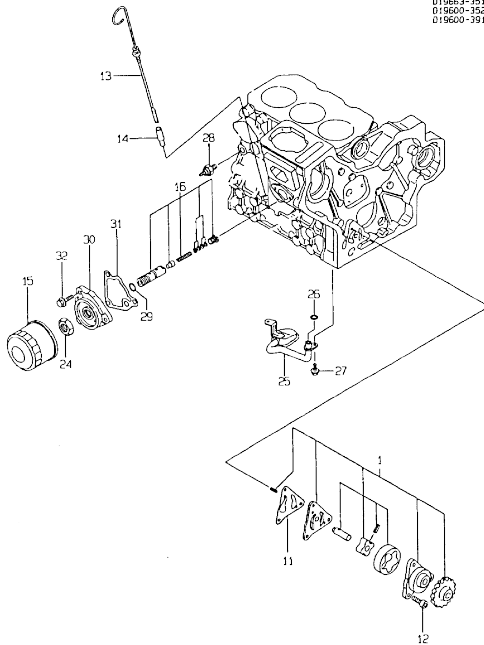
Remarks
 (1) REPAIR PART.
 (2) OVER-SIZE(O.S.=0.25)PART.
 (3) OVER-SIZE(O.S.=0.50)PART.
 (4) UNDER-SIZE(U.S.=0.25)PART.

Fig.9. LUB. OIL SYSTEM

Y0004320
3TNA72L-UTBB

9 L.O. 9774
LUB.OIL SYSTEM

019660-32100
019631-34100
019653-35100
019600-35210
019600-39100

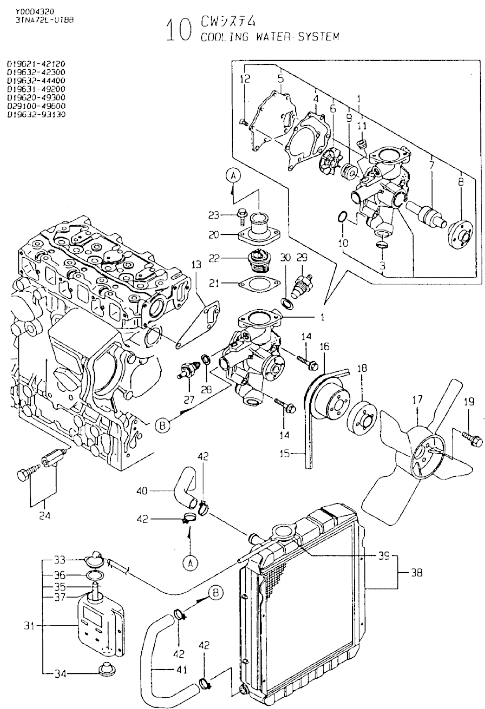


(A)=3TNA72L-UTBB
(B)=
(C)=

(D)=
(E)=
(F)=

No.	Lev.	Parts No.	Description	Q'ty						I	R
				(A)	(B)	(C)	(D)	(E)	(F)		
1	1	119660-32001	PUMP ASSY, OIL	1							
11	1	119660-32020	GASKET, PUMP	1							
12	1	26450-060202	BOLT, M6X 20	3							
13	1	119631-34800	DIPSTICK, OIL	1							
14	1	121520-34810	GUIDE, DIPSTICK	1							
15	1	119305-35150	FILTER, OIL	1							
16	1	119660-35300	VALVE ASSY, CONTROL	1							
24	1	129150-35350	NUT	1							
25	1	119600-35081	PIPE ASSY, OIL INLET	1							
26	1	24311-000120	O-RING, 1AP12.0	1							
27	1	26106-060102	BOLT, M6X 10 PLATED	2							
28	1	124160-39450	SWITCH, 0.5KG	1							
29	1	24311-000160	O-RING, 1AP16.0	1							
30	1	119660-35102	BRACKET, FILTER	1							
31	1	119660-35113	GASKET, FILTER	1							
32	1	26106-080202	BOLT, M8X 20 PLATED	3							
42-1	1	119660-35102	BRACKET, FILTER	1							
44-1	1	119660-35300	VALVE ASSY, CONTROL	1							
46-1	1	129150-35350	NUT	1							
47-1	1	24311-000160	O-RING, 1AP16.0	1							

Fig.10. COOLING WATER SYSTEM



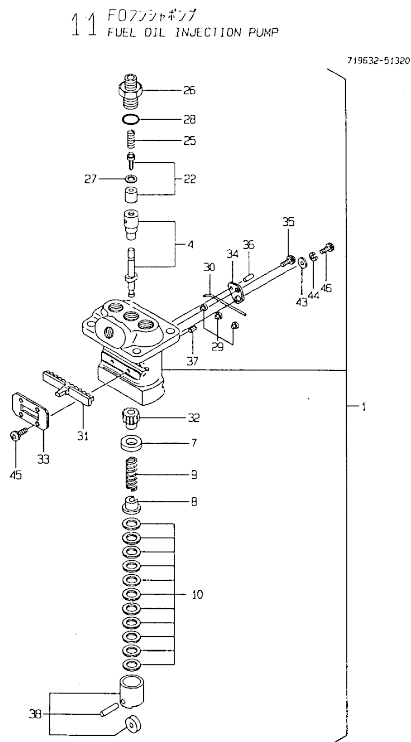
Remarks
(M) MISPRINT.

No.	Lev.	Parts No.	Description	Q'ty						I	R
				(A)	(B)	(C)	(D)	(E)	(F)		
1	1	119660-42004	PUMP ASSY, WATER	1							
3	2	119620-42040	PLUG	1							
4	2	119660-42052	GASKET, WATER PUMP	1							
5	2	119660-42121	PLATE	1							
6	2	119620-42200	IMPELLER	1							
7	2	119660-42240	BEARING, SHAFT	1							
8	2	119660-42260	FLANGE, V-PULLEY	1							
9	2	119660-42310	SEAL, MECHANICAL	1							
10	2	119620-42320	O-RING	1							
11	2	23871-030000	PLUG, R03	1							
12	2	26577-060122	SCREW, M6X12	5							
13	1	119620-42020	GASKET, WATER PUMP	1							
14	1	26106-080452	BOLT, M8X 45 PLATED	4							
15	1	119640-42290	V-BELT, FM36.5	1							
16	1	119642-42350	V-PULLEY, D=97	1							
17	1	121450-44740	FAN, COOLING	1							
18	1	124574-44761	SPACER, FAN	1							
19	1	26014-060252	BOLT, M6X 25	4							
20	1	129350-49530	COVER, THERMOSTAT	1							
21	1	129350-49541	GASKET	1							
22	1	129350-49800	THERMOSTAT, 71	1							
23	1	26106-080202	BOLT, M8X 20 PLATED	2							
24	1	119620-49290	COCK ASSY, 1/4	1							
27	1	121250-44901	SWITCH, 110	1							
28	1	124465-44950	GASKET, 16	1							
29	1	124250-49351	SENSOR	1							
30	1	129150-49360	GASKET	1							
31	1	121468-44510	SUB-TANK ASSY	1							
33	2	121450-44531	CAP	1							
34	2	121468-44540	PLUG, SUB-TANK	1							
35	2	124450-44560	RETAINER	1							
36	2	121470-44581	GASKET	1							
37	2	23065-070130	PIPE, 7X 130	1							
38	1	119632-44520	RADIATOR ASSY	1							
39	2	123682-44210	CAP, RADIATOR	1							
39-1	2	129107-44590	CAP, RADIATOR	1							M
40	1	119688-49010	PIPE, WATER	1							
41	1	119632-49020	PIPE, WATER	1							
42	1	23010-038000	CLAMP, 38	4							

N:Old $\frac{100}{100}$ New, Q:Old $\frac{100}{100}$ New, R:Old $\frac{100}{100}$ New, S:Old $\frac{100}{100}$ New, W:Add, Z:Discontinued, F:Interchangeable by set, K:Q'ty Change
Copyright (C) YANMAR GLOBAL CS CO., LTD. All Rights Reserved.

Fig.11. FUEL INJECTION PUMP

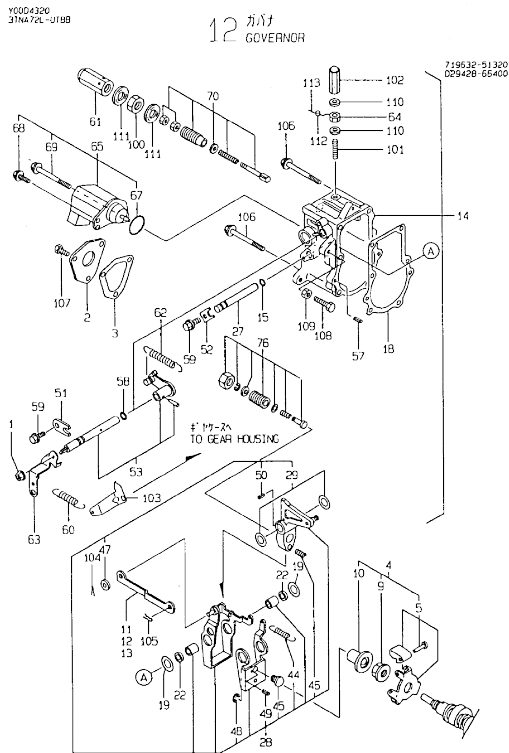
YD014320
3TNA72L-UTBB



No.	Lev.	Parts No.	Description	Q'ty					
				(A)	(B)	(C)	(D)	(E)	(F)
1	1	719621-51100	PUMP ASSY, INJECTION	1					
4	2	119620-51101	PLUNGER ASSY	3					
7	2	119620-51170	RETAINER, SPRING A	3					
8	2	119620-51180	RETAINER, SPRING B	3					
9	2	119620-51190	SPRING, PLUNGER	3					
10	2	119620-51250	SHIM SET	3					
22	2	119620-51300	VALVE ASSY, DELIVERY	3					
25	2	105546-51330	SPRING, DELIVERY	3					
26	2	119620-51340	HOLDER, DELIVERY	3					
27	2	119620-51350	GASKET	3					
28	2	119620-51370	O-RING	3					
29	2	119620-51450	PIECE	3					
30	2	119620-51461	PIN	1					
31	2	119660-51500	RACK, CONTROL	1					
32	2	119620-51510	PINION	3					
33	2	119660-51530	RETAINER, RACK	1					
34	2	119620-51650	PLATE	2					
35	2	119620-51660	SCREW	2					
36	2	119620-51670	PIN	2					
37	2	119620-51680	PIN	1					
38	2	119620-51700	TAPPET ASSY	3					
43	2	22137-040000	WASHER, 4	2					
44	2	22217-040000	WASHER, SPRING 4	2					
45	2	26022-040082	SCREW, M4X 8	4					
46	2	26587-040102	SCREW, M4X10	2					

OCD10-M43200 3TNA72L-UTBB
 Fig.12. GOVERNOR

OCD10-M43200 Fig.12



(A)=3TNA72L-UTBB
 (B)=
 (C)=

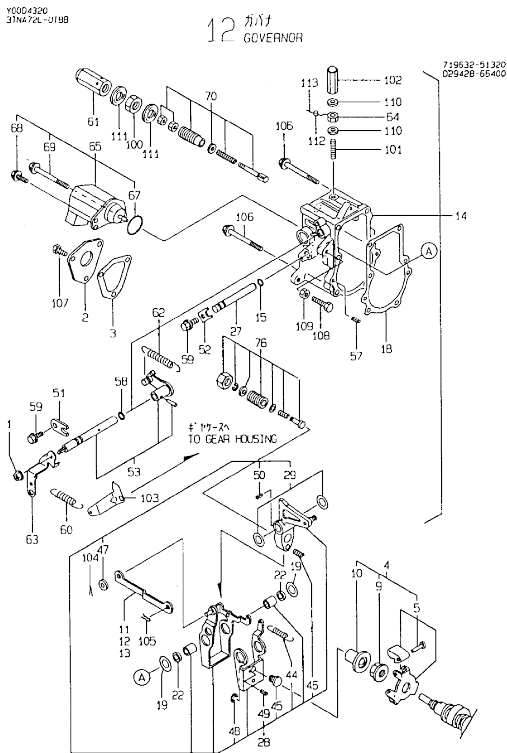
(D)=
 (E)=
 (F)=

No.	Lev.	Parts No.	Description	Q'ty						I	R
				(A)	(B)	(C)	(D)	(E)	(F)		
1	1	194990-22050	NUT, M8	1							
2	1	119660-61060	COVER, GOVERNOR CASE	1							
3	1	119660-61071	GASKET	1							
4	1	119600-61100	DRIVE ASSY	1							
5	2	119600-61200	WEIGHT ASSY, GOVERNOR	1							
9	2	119660-61300	NUT	1							
10	2	119660-61341	SLEEVE	1							
11	1	119660-61121	LINK, NO MARK	1							
12	1	119660-61140	LINK, MARK :2	1							
13	1	119660-61150	LINK, MARK :3	1							
14	1	119632-61200	CASE ASSY, GOVERNOR	1							
15	2	129155-51280	O-RING, S6	1							
18	2	119660-61052	GASKET	1							
19	2	119660-61460	SHIM SET	1							
22	2	129155-61480	SPACER ASSY	2							
27	2	119660-61491	SHAFT	1							
28	2	119232-61510	LEVER ASSY, GOVERNOR	1							
29	3	174307-51700	SHIM SET	2							
44	3	119232-61540	SPRING	1							
45	3	119600-61540	SHIFTER	1							
46	3	119660-61651	SPRING, STARTING	1							
47	3	22117-040000	WASHER, 4	1							
48	3	22272-000040	RING, E- 4	1							
49	3	22351-020004	PIN, SPRING 2.0X 4	1							
50	3	22351-030014	PIN, SPRING 3.0X14	1							
51	2	119600-61900	RETAINER, SHAFT	1							
52	2	119660-61901	RETAINER, SHAFT	1							
53	2	119621-66091	SHAFT ASSY	1							
57	2	22351-040010	PIN, SPRING 4.0X10	2							
58	2	24341-000070	O-RING, 1AS7.0	1							
59	2	26106-060102	BOLT, M6X 10 PLATED	2							
60	1	119840-61870	SPRING	1							
61	1	129100-61930	NUT, CAP	1							
62	1	119600-66020	SPRING, REGULATOR	1							
63	1	119640-66051	HANDLE, REGULATOR	1							
64	1	124550-66370	NUT, M6	1							
65	1	119285-66500	STOPPER ASSY	1							
67	2	24341-000280	O-RING, 1AS28.0	1							
68	2	26106-060162	BOLT, M6X 16 PLATED	1							
69	2	26106-060952	BOLT, M6X 95 PLATED	1							
70	1	119600-66530	LIMITER ASSY, FUEL	1							
76	1	119610-66700	ANGLEICH ASSY	1							
100	1	124772-66750	NUT, LOCK M12	1							
101	1	121575-66830	SCREW	1							
102	1	119600-66840	NUT, CAP	1							
103	1	119656-66910	HOOK	1							
104	1	22360-040000	PIN, SNAP 4	1							
105	1	22360-060000	PIN, SNAP 6	1							
106	1	26106-060702	BOLT, M6X 70 PLATED	5							
107	1	26116-050102	BOLT, M5X 10 PLATED	3							
108	1	26116-060304	BOLT, M6X 30 PLATED	1							

N:Old $\frac{100}{100}$ New, Q:Old $\frac{100}{100}$ New, R:Old $\frac{100}{100}$ New, S:Old $\frac{100}{100}$ New, W:Add, Z:Discontinued, F:Interchangeable by set, K:Q'ty Change
 ++ CONTINUE ++
 Copyright (C) YANMAR GLOBAL CS CO., LTD. All Rights Reserved.

OCD10-M43200 3TNA72L-UTBB
 Fig.12. GOVERNOR

OCD10-M43200 Fig.12



(A)=3TNA72L-UTBB
 (B)=
 (C)=

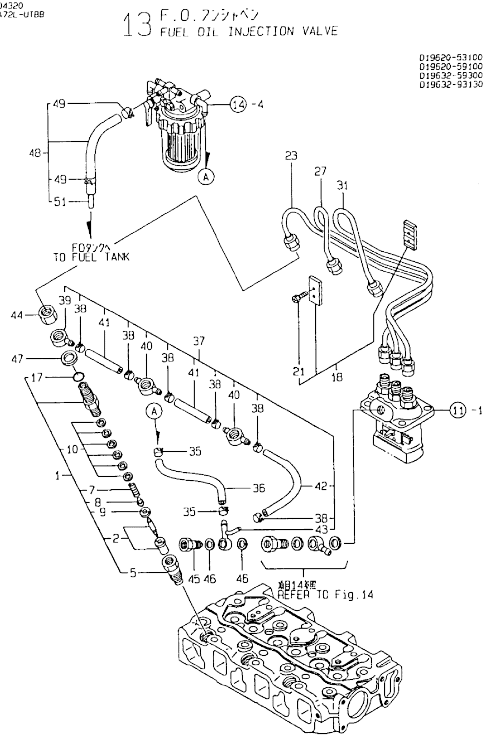
(D)=
 (E)=
 (F)=

No.	Lev.	Parts No.	Description	Q'ty					
				(A)	(B)	(C)	(D)	(E)	(F)
109	1	26756-060002	NUT, LOCK M6	1					
110	1	43400-500400	SEAL WASHER 6	2					
111	1	43400-500450	SEAL WASHER 12	2					
112	1	135210-61090	LEAD	1					
113	1	22451-060000	WIRE, 0.6	1					

N:Old $\frac{100}{100}$ New, Q:Old $\frac{100}{100}$ New, R:Old $\frac{100}{100}$ New, S:Old $\frac{100}{100}$ New, W:Add, Z:Discontinued, F:Interchangeable by set, K:Q'ty Change
 Copyright (C) YANMAR GLOBAL CS CO., LTD. All Rights Reserved.

Fig.13. FUEL INJECTION VALVE

Y0004320
3TNA72L-UTBB



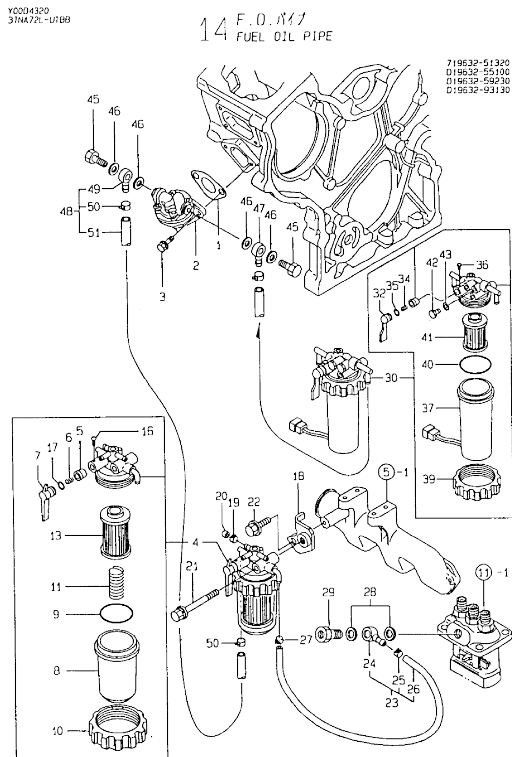
(A)=3TNA72L-UTBB
(B)=
(C)=

(D)=
(E)=
(F)=

No.	Lev.	Parts No.	Description	Q'ty						I	R
				(A)	(B)	(C)	(D)	(E)	(F)		
1	1	719620-53100	VALVE ASSY,INJECTION	3							
2	2	119620-53000	VALVE ASSY,INJECTION	3							
5	2	119620-53080	NUT, NOZZLE	3							
7	2	119620-53120	SPRING, NOZZLE	3							
8	2	114250-53130	SEAT, SPRING	3							
9	2	119620-53140	SPACER, VALVE STOP	3							
10	2	114250-53400	SHIM SET	3							
16-1	3	114250-53460	SHIM, T=0.15	1							
17	2	129155-61830	O-RING, S10	3							
18	1	129150-59120	RETAINER, PIPE	1							
21	2	129150-59130	BOLT, M4X12	2							
23	1	119620-59811	PIPE ASSY, INJECTION	1							
27	1	119620-59821	PIPE ASSY, INJECTION	1							
31	1	119620-59831	PIPE ASSY, INJECTION	1							
35	1	124766-59050	CLIP, HOSE 12	2							
36	1	121250-59080	PIPE, FUEL D12X180	1							
37	1	119642-59540	PIPE ASSY, RETURN	1							
38	2	124066-59100	CLIP, HOSE 8	6							
39	2	119260-59520	JOINT	1							
40	2	119260-59530	JOINT	2							
41	2	105025-59550	PIPE, FUEL RETURN	2							
42	2	119642-59550	PIPE, FUEL RETURN	1							
43	2	119642-59570	JOINT, OVER FLOW	1							
44	1	119620-59700	NUT, NOZZLE	3							
45	1	124550-59820	BOLT, PIPE JOINT M8	1							
46	1	23414-080012	GASKET, 8X1.0	2							
47	1	23414-140000	GASKET, 14X1.0	3							
48	1	119840-59601	BEND	1							
49	2	124766-59050	CLIP, HOSE 12	2							
51	2	119840-59621	JOINT	1							
56-1	1	121250-59080	PIPE, FUEL D12X180	1							
57-1	1	124550-59820	BOLT, PIPE JOINT M8	1							
58-1	1	124766-59050	CLIP, HOSE 12	2							

OCD10-M43200 3TNA72L-UTBB
 Fig.14. FUEL PIPES

OCD10-M43200 Fig.14

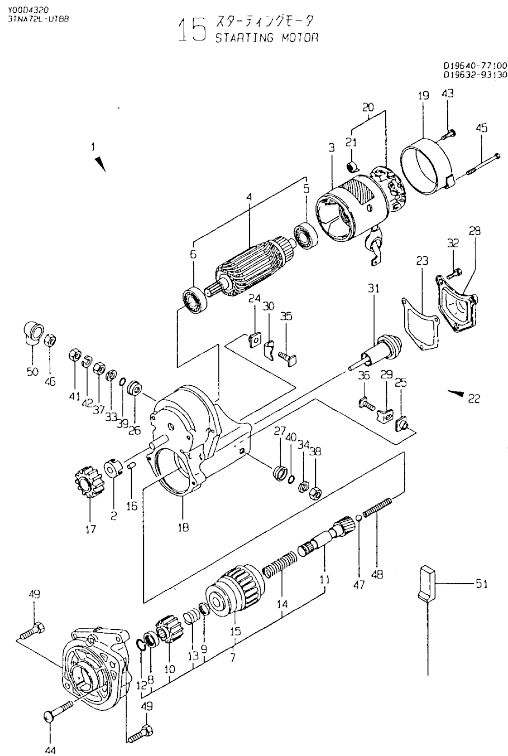


(A)=3TNA72L-UTBB
 (B)=
 (C)=

(D)=
 (E)=
 (F)=

No.	Lev.	Parts No.	Description	Qty						I	R
				(A)	(B)	(C)	(D)	(E)	(F)		
1	1	121520-01851	GASKET	1							
2	1	119600-52021	PUMP ASSY, FUEL FEED	1							
3	1	26106-060162	BOLT, M6X 16 PLATED	2							
4	1	119632-55620	FILTER ASSY, FUEL	1							
5	2	104200-55321	VALVE, TAPER	1							
6	2	104200-55330	SPRING, VALVE	1							
7	2	119810-55340	LEVER	1							
8	2	121254-55510	COVER	1							
9	2	102103-55520	O-RING	1							
10	2	110250-55610	RING, RETAINING	1							
11	2	121250-55620	SPRING	1							
13	2	124550-55700	FILTER, FUEL L=90	1							
16	2	104200-55750	SCREW, M4	1							
17	2	24311-240100	O-RING, 1AP10A	1							
18	1	119632-55630	BRACKET, STRAINER	1							
19	1	124066-59100	CLIP, HOSE 8	1							
20	1	129150-59580	CAP	1							
21	1	26014-080702	BOLT, M8X 70	1							
22	1	26106-080142	BOLT, M8X 14 PLATED	1							
23	1	124767-59031	PIPE ASSY, FUEL	1							
24	2	101304-59020	JOINT, PIPE 12	1							
25	2	124766-59050	CLIP, HOSE 12	1							
26	2	124767-59080	PIPE, FUEL	1							
27	1	124766-59050	CLIP, HOSE 12	1							
28	1	104200-59170	GASKET, 12	2							
29	1	119650-59200	BOLT, PIPE JOINT M12	1							
30	1	129137-55700	SEPARATOR ASSY, WATER	1							
32	2	104200-55341	HANDLE	1							
34	2	104200-55330	SPRING, VALVE	1							
35	2	24311-240100	O-RING, 1AP10A	1							
36	2	104200-55750	SCREW, M4	1							
37	2	129137-55710	CUP ASSY	1							
39	2	110250-55610	RING, RETAINING	1							
40	2	102103-55520	O-RING	1							
41	2	171081-55910	SCREEN	1							
42	2	101720-55750	PLUG, 6	2							
43	2	23418-060000	GASKET, 6X1.0	2							
45	1	105582-59150	BOLT, PIPE JOINT	2							
46	1	23414-080012	GASKET, 8X1.0	4							
47	1	104264-59030	JOINT, PIPE 8	1							
48	1	119230-59020	PIPE ASSY, FUEL	1							
49	2	104264-59030	JOINT, PIPE 8	1							
50	2	124766-59050	CLIP, HOSE 12	2							
51	2	121256-59080	PIPE, FUEL	1							

Fig.15. STARTING MOTOR



(A)=3TNA72L-UTBB
(B)=
(C)=

(D)=
(E)=
(F)=

No.	Lev.	Parts No.	Description	Q'ty						I	R
				(A)	(B)	(C)	(D)	(E)	(F)		
1	1	119620-77011	STARTER	1							
2	2	X0280630011	RETAINER	1							
3	2	X0281003751	YOKE ASSY	1							
4	2	X0282001531	ARMATURE ASSY	1							
5	3	X9491001360	BEARING	1							
6	3	X9491001860	BALL BEARING	1							
7	2	X0283005050	CLUTCH, STARTER	1							
8	3	X0280210230	NUT	1							
9	3	X0283270140	RETAINER	1							
10	3	X0283715030	PINION, STARTER	1							
11	3	X0283810040	SHAFT	1							
12	3	X9490721080	RING	1							
13	3	X9491703371	SPRING, COIL	1							
14	3	X9491704260	SPRING	1							
15	3	121120-77930	CASE ASSY, STARTER	1							
16	2	X0283060061	ROLLER	5							
17	2	X0283711420	PINION	1							
18	2	X0284004910	HOUSING, STARTER	1							
19	2	X0285040631	FRAME ASSY	1							
20	2	X0285100460	HOLDER ASSY, BRUSH	1							
21	3	X9491730461	SPRING	4							
22	2	X0534006460	SWITCH, MAGNETIC	1							
23	3	X0534040320	GASKET	1							
24	3	X0534490120	BUSH	1							
25	3	X0534490120	BUSH	1							
26	3	X0534490230	BUSH	1							
27	3	X0534490230	BUSH	1							
28	3	X0535050620	COVER	1							
29	3	X0535130241	PLATE (B)	1							
30	3	X0535130320	PLATE (A)	1							
31	3	X0536600401	PLUNGER	1							
32	3	X9151005141	BOLT W/WASHER	3							
33	3	X9490170900	WASHER	1							
34	3	X9490170900	WASHER	1							
35	3	X9490441303	BOLT	1							
36	3	X9490441312	BOLT	1							
37	3	X9490502820	NUT	1							
38	3	X9490502820	NUT	1							
39	3	X9491402100	O-RING	1							
40	3	X9491402100	O-RING	1							
41	2	X9019008651	NUT	1							
42	2	X9025808001	WASHER	1							
43	2	X9490071810	SCREW W/WASHER	2							
44	2	X9490071970	SCREW W/WASHER	2							
45	2	X9490423330	BOLT W/WASHER	2							
46	2	X9490561370	NUT	1							
47	2	X9491200240	BALL	1							
48	2	X9491703380	SPRING	1							
49	1	26116-120252	BOLT, M12X 25 PLATED	2							
50	1	124160-77020	COVER, TERMINAL	1							
51	1	119643-77900	CONNECTOR, STARTER	1							

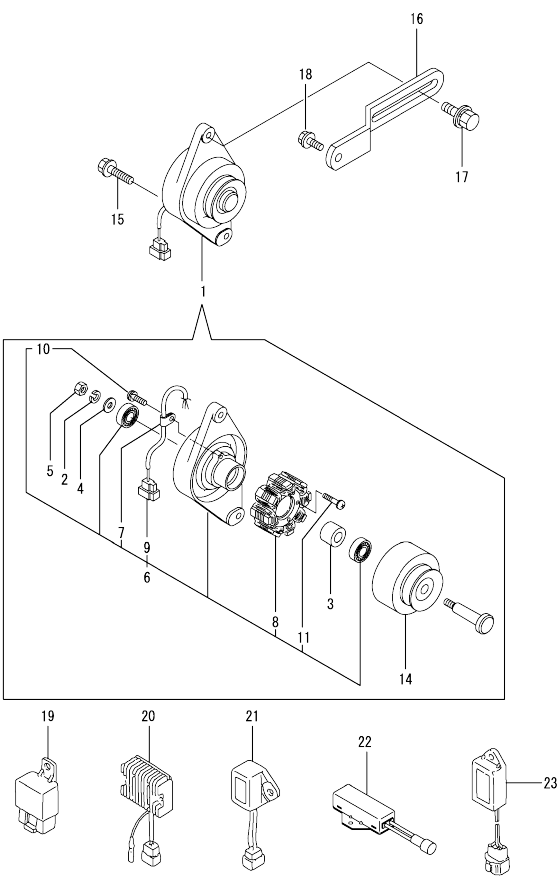
N:Old $\frac{100}{100}$ New, Q:Old $\frac{100}{100}$ New, R:Old $\frac{100}{100}$ New, S:Old $\frac{100}{100}$ New, W:Add, Z:Discontinued, F:Interchangeable by set, K:Q'ty Change
Copyright (C) YANMAR GLOBAL CS CO., LTD. All Rights Reserved.

OCD10-M43200 3TNA72L-UTBB
 Fig.16. GENERATOR

OCD10-M43200 Fig.16

(A)=3TNA72L-UTBB
 (B)=
 (C)=

(D)=
 (E)=
 (F)=



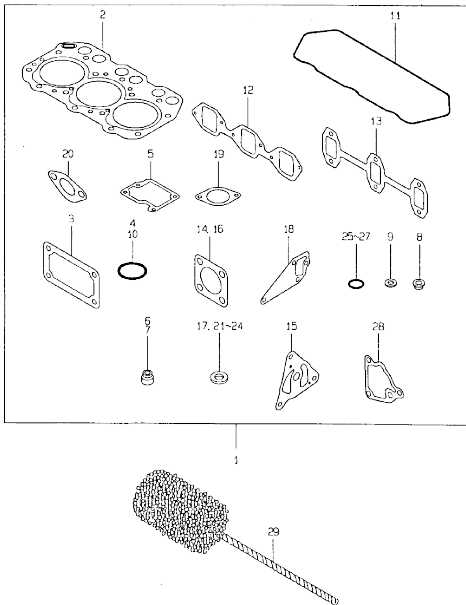
No.	Lev.	Parts No.	Description	Q'ty					
				(A)	(B)	(C)	(D)	(E)	(F)
1	1	129150-77202	GENERATOR	1					
2	2	XM219230000	WASHER, SPRING	1					
3	2	XM329830000	COLLAR	1					
4	2	XM860250000	WASHER, 10	1					
5	2	XM863720000	NUT	1					
6	2	129150-77210	PLATE ASSY	1					
7	3	XM069000000	CLAMP	1					
8	3	XM081780000	STATOR	1					
9	3	XM178780000	COUPLER	1					
10	3	XYSPS400800	SCREW	1					
11	3	XYSPS402400	SCREW	2					
14	2	129150-77230	FLYWHEEL ASSY	1					
15	1	26106-100302	BOLT, M10X 30 PLATED	1					
16	1	119660-77330	ADJUSTER	1					
17	1	26014-080252	BOLT, M8X 25	1					
18	1	26106-080162	BOLT, M8X 16 PLATED	1					
19	1	119247-77100	RELAY, POWER	1					
20	1	119640-77711	LIMITER, CURRENT	1					
21	1	121522-77721	INDICATOR	1					
22	1	129155-77810	REGISTER	1					
23	1	119632-77920	TIMER	1					

N:Old $\frac{New}{Old}$ New, Q:Old $\frac{New}{Old}$ New, R:Old $\frac{New}{Old}$ New, S:Old $\frac{New}{Old}$ New, W:Add, Z:Discontinued, F:Interchangeable by set, K:Q'ty Change
 Copyright (C) YANMAR GLOBAL CS CO., LTD. All Rights Reserved.

Fig.17. GASKET SET(OPTIONAL PART)

Y0004320
3TNA72L-UTBB

17 ガasketセット (オプション)
GASKET SET (OPTIONAL)



(A)=3TNA72L-UTBB
(B)=
(C)=

(D)=
(E)=
(F)=

No.	Lev.	Parts No.	Description	Qty						I	R	
				(A)	(B)	(C)	(D)	(E)	(F)			
1	1	719632-92610	GASKET SET	1							1	
2	2	119610-01340	GASKET, HEAD	1								
3	2	119660-01562	GASKET	1								
4	2	24311-000320	O-RING, 1AP32.0	1								
5	2	119620-03031	GASKET	1								
6	2	124950-11340	SEAL, VALVE STEM	3								
7	2	124160-11340	SEAL, VALVE STEM	3								
8	2	119600-11450	PROTECTOR, NOZZLE	3								
9	2	119600-11460	GASKET, NOZZLE	6								
10	2	24311-000320	O-RING, 1AP32.0	1								
11	2	119620-11310	GASKET, BONNET	1								
12	2	119620-12111	GASKET, MANIFOLD	1								
13	2	119620-13110	GASKET	1								
14	2	124701-11911	GASKET, SILENCER	1								
15	2	119660-32020	GASKET, PUMP	1								
16	2	124240-01883	GASKET	1								
17	2	129150-49360	GASKET	1								
18	2	119620-42020	GASKET, WATER PUMP	1								
19	2	129350-49541	GASKET	1								
20	2	121520-01851	GASKET	1								
21	2	124465-44950	GASKET, 16	1								
22	2	104200-59170	GASKET, 12	2								
23	2	23414-140000	GASKET, 14X1.0	3								
24	2	23414-080012	GASKET, 8X1.0	2								
25	2	24311-000120	O-RING, 1AP12.0	4								
26	2	129155-61830	O-RING, S10	3								
27	2	24341-000240	O-RING, 1AS24.0	2								
28	2	119660-35113	GASKET	1								
29	1	129400-92410	FLEX HORN	1								1

Remarks
(1) OPTIONAL PART.

Parts No. Index

Parts No.	Fig. No.	Ref. No.	Parts No.	Fig. No.	Ref. No.	Parts No.	Fig. No.	Ref. No.	Parts No.	Fig. No.	Ref. No.
101158-11190	4	20	119600-61540	12	45	119620-42020	10	13	119640-21590	8	12
101304-59020	14	24	119600-61900	12	51		17	18	119640-42290	10	15
101720-55750	14	42	119600-66020	12	62	119620-42040	10	3	119640-66051	12	63
102103-55520	14	9	119600-66530	12	70	119620-42200	10	6	119640-77250	2	6
		40	119600-66840	12	102	119620-42320	10	10	119640-77711	16	20
104200-55321	14	5	119610-01340	1	24	119620-49290	10	24	119642-42350	10	16
104200-55330	14	6		17	2	119620-51101	11	4	119642-59540	13	37
		34	119610-66700	12	76	119620-51170	11	7	119642-59550	13	42
104200-55341	14	32	119620-01200	1	23	119620-51180	11	8	119642-59570	13	43
104200-55750	14	16	119620-01620	3	6	119620-51190	11	9	119643-77900	15	51
		36	119620-01750	3	4	119620-51250	11	10	119645-12100	5	1
104200-59170	14	28	119620-01800	2	4	119620-51300	11	22	119650-26000	7	17
	17	22	119620-01950	2	36	119620-51340	11	26	119650-59200	14	29
104211-11370	4	23	119620-02020	1	6	119620-51350	11	27	119656-66910	12	103
104264-59030	14	47	119620-02410	1	21	119620-51370	11	28	119660-01492	2	27
		49	119620-02450	7	4	119620-51450	11	29	119660-01510	2	30
105010-11230	4	35	119620-03020	4	49	119620-51461	11	30	119660-01551	2	33
		39	119620-03031	4	50	119620-51510	11	32	119660-01562	2	34
105025-59550	13	41		17	5	119620-51650	11	34		17	3
105225-23200	8	31	119620-11100	4	16	119620-51660	11	35	119660-01570	2	35
105546-51330	11	25	119620-11110	4	17	119620-51670	11	36	119660-01590	2	1
105582-59150	14	45	119620-11120	4	18	119620-51680	11	37	119660-01640	3	7
110250-55610	14	10	119620-11180	4	19	119620-51700	11	38	119660-01821	7	20
		39	119620-11200	4	28	119620-53000	13	2	119660-01911	2	5
114250-53130	13	8	119620-11240	4	29	119620-53080	13	5	119660-21201	8	5
114250-53400	13	10	119620-11260	4	32	119620-53120	13	7	119660-21651	8	8
114250-53460	13	16	119620-11280	4	33	119620-53140	13	9	119660-25022	7	9
119230-59020	14	48	119620-11310	4	53	119620-59700	13	44	119660-25052	7	10
119232-13500	6	8		17	11	119620-59811	13	23	119660-32001	9	1
119232-13510	6	9	119620-11330	4	47	119620-59821	13	27	119660-32020	9	11
119232-61510	12	28	119620-11350	4	44	119620-59831	13	31		17	15
119232-61540	12	44	119620-11390	4	54	119620-77011	15	1	119660-35102	9	30
119247-77100	16	19	119620-11801	4	11	119620-77820	4	61		42	-1
119260-59520	13	39	119620-12111	5	2	119621-21680	8	9	119660-35113	9	31
119260-59530	13	40		17	12	119621-66091	12	53		17	28
119285-66500	12	65	119620-13110	6	2	119629-14580	7	3	119660-35300	9	16
119305-35150	9	15		17	13	119631-34800	9	13		44	-1
119462-26020	2	22	119620-14100	7	7	119632-07900	4	5	119660-42004	10	1
119600-01050	1	5	119620-14200	7	1	119632-12211	5	19	119660-42052	10	4
119600-01600	3	2	119620-14400	7	2	119632-12520	5	4	119660-42121	10	5
119600-01722	3	15	119620-21941	8	10	119632-12530	5	5	119660-42240	10	7
119600-11450	4	25	119620-22090	8	16	119632-12551	5	12	119660-42260	10	8
	17	8	119620-22300	8	24	119632-12590	5	13	119660-42310	10	9
119600-11460	4	26	119620-22900	8	34	119632-44520	10	38	119660-51500	11	31
	17	9	119620-22920	8	42	119632-49020	10	41	119660-51530	11	33
119600-13100	6	1	119620-22950	8	36	119632-55620	14	4	119660-61052	12	18
119600-35081	9	25	119620-22970	8	44	119632-55630	14	18	119660-61060	12	2
119600-52021	14	2	119620-23910	8	29	119632-61200	12	14	119660-61071	12	3
119600-61100	12	4	119620-25102	7	11	119632-77920	16	23	119660-61121	12	11
119600-61200	12	5	119620-25912	7	13	119640-12580	5	15	119660-61140	12	12

Parts No. Index

Parts No.	Fig. No.	Ref. No.
119660-61150	12	13
119660-61300	12	9
119660-61341	12	10
119660-61460	12	19
119660-61491	12	27
119660-61651	12	46
119660-61901	12	52
119660-77330	16	16
119688-49010	10	40
119810-55340	14	7
119840-59601	13	48
119840-59621	13	51
119840-61870	12	60
119865-21600	8	15
121023-01550	2	17
121024-12660	5	6
121111-21501	8	11
121120-01620	3	3
121120-77930	15	15
121250-44901	10	27
121250-55620	14	11
121250-59080	13	36
	56	-1
121254-55510	14	8
121256-59080	14	51
121262-12800	5	11
121450-01560	2	31
121450-44531	10	33
121450-44740	10	17
121465-12510	5	8
121465-12700	5	7
121468-44510	10	31
121468-44540	10	34
121470-44581	10	36
121520-01851	14	1
	17	20
121520-34810	9	14
121522-77721	16	21
121575-66830	12	101
121850-11860	4	13
123682-44210	10	39
124064-12680	5	9
124064-12690	5	10
124066-59100	13	38
	14	19
124085-02220	3	9
124160-01751	2	15
	4	66
124160-11340	4	21
	17	7

Parts No.	Fig. No.	Ref. No.
124160-11360	4	58
124160-39450	9	28
124160-77020	15	50
124240-01883	2	20
	17	16
124250-49351	10	29
124450-44560	10	35
124465-44950	10	28
	17	21
124550-55700	14	13
124550-59820	13	45
	45	-1
124550-66370	12	64
124574-44761	10	18
124701-11911	6	7
	17	14
124766-59050	13	35
	49	58
	49	-1
	14	25
	27	27
	50	50
124767-59031	14	23
124767-59080	14	26
124772-66750	12	100
124950-11340	4	22
	17	6
129100-01580	3	1
	8	2
129100-61930	12	61
129107-44590	10	39
129137-55700	14	30
129137-55710	14	37
129150-35350	9	24
	46	-1
129150-49360	10	30
	17	17
129150-59120	13	18
129150-59130	13	21
129150-59580	14	20
129150-77202	16	1
129150-77210	16	6
129150-77230	16	14
129155-51280	12	15
129155-61480	12	22
129155-61830	13	17
	17	26
129155-77801	4	60
129155-77810	16	22
129350-26490	7	19

Parts No.	Fig. No.	Ref. No.
129350-49530	10	20
129350-49541	10	21
	17	19
129350-49800	10	22
129400-92410	17	29
135210-61090	12	112
171081-55910	14	41
171301-01640	3	12
174307-51700	12	29
194990-22050	2	21
	40	40
	6	3
	12	1
22117-040000	12	47
22137-040000	11	43
22137-080000	2	23
22217-040000	11	44
22217-050000	4	55
22242-000120	4	42
22242-000200	7	15
22252-000210	8	25
22272-000040	12	48
22351-020004	12	49
22351-030014	12	50
22351-040010	2	32
	12	57
22351-060012	4	27
22360-040000	12	104
22360-060000	12	105
22451-060000	12	113
22512-040120	7	8
	25	25
	8	6
23000-060000	5	16
	20	20
23010-038000	10	42
23065-070130	10	37
23065-120500	4	1
23414-080012	13	46
	14	46
	17	24
23414-140000	13	47
	17	23
23418-060000	14	43
23871-010000	1	11
23871-030000	10	11
24101-062034	7	27
24102-063034	7	26
24311-000120	2	7
	4	59

Parts No.	Fig. No.	Ref. No.
24311-000120	9	26
	17	25
24311-000160	9	29
	47	-1
24311-000320	2	16
	4	67
	17	4
		10
24311-240100	14	17
		35
24341-000070	12	58
24341-000240	2	18
	3	14
	17	27
24341-000280	12	67
26014-060252	10	19
26014-080202	5	17
26014-080252	16	17
26014-080702	14	21
26022-040082	11	45
26106-060102	9	27
	12	59
26106-060122	1	22
	3	17
	4	6
	7	16
26106-060162	2	8
	7	28
	12	68
	14	3
26106-060182	2	19
26106-060202	5	3
26106-060222	3	10
26106-060302	2	9
26106-060452	3	18
26106-060502	2	10
26106-060602	2	11
		12
26106-060702	12	106
26106-060802	2	13
26106-060952	12	69
26106-080142	14	22
26106-080162	16	18
26106-080202	2	24
	9	32
	10	23
26106-080402	6	4
26106-080452	4	45
	10	14
26106-080752	2	25

Parts No. Index

Parts No.	Fig. No.	Ref. No.
26106-100302	16	15
26106-100602	2	14
26116-050102	12	107
26116-060304	12	108
26116-081302	2	26
26116-120252	15	49
26206-100252	3	5
26216-080222	6	5
26216-080552	6	6
26366-060002	2	41
26366-080002	4	46
	5	18
26450-060202	9	12
26557-050102	4	57
26577-060122	10	12
26587-040102	11	46
26587-080102	7	29
26756-060002	4	37
	41	
	12	109
26979-050162	4	43
27221-050080	4	14
27231-450000	1	12
27241-120000	1	13
27241-300000	1	14
27241-400000	4	15
43400-500400	12	110
43400-500450	12	111
719610-01560	1	1
719620-02800	1	15
719620-02870	1	25
719620-02930	1	18
719620-11650	4	34
719620-11660	4	38
719620-22500	8	18
719620-23100	8	26
719620-23600	8	32
719620-23610	8	50
719620-53100	13	1
719621-51100	11	1
719631-01540	3	11
719632-92610	17	1
719660-11700	4	7
719660-14590	7	21
719660-21700	8	1
X0280210230	15	8
X0280630011	15	2
X0281003751	15	3
X0282001531	15	4
X0283005050	15	7

Parts No.	Fig. No.	Ref. No.
X0283060061	15	16
X0283270140	15	9
X0283711420	15	17
X0283715030	15	10
X0283810040	15	11
X0284004910	15	18
X0285040631	15	19
X0285100460	15	20
X0534006460	15	22
X0534040320	15	23
X0534490120	15	24
	25	
X0534490230	15	26
	27	
X0535050620	15	28
X0535130241	15	29
X0535130320	15	30
X0536600401	15	31
X9019008651	15	41
X9025808001	15	42
X9151005141	15	32
X9490071810	15	43
X9490071970	15	44
X9490170900	15	33
	34	
X9490423330	15	45
X9490441303	15	35
X9490441312	15	36
X9490502820	15	37
	38	
X9490561370	15	46
X9490721080	15	12
X9491001360	15	5
X9491001860	15	6
X9491200240	15	47
X9491402100	15	39
	40	
X9491703371	15	13
X9491703380	15	48
X9491704260	15	14
X9491730461	15	21
XM069000000	16	7
XM081780000	16	8
XM178780000	16	9
XM219230000	16	2
XM329830000	16	3
XM860250000	16	4
XM863720000	16	5
XYSPS400800	16	10
XYSPS402400	16	11

Parts No.	Fig. No.	Ref. No.
-----------	----------	----------

Parts No.	Fig. No.	Ref. No.
-----------	----------	----------