

0CD10-M39301EN

# PREFACE

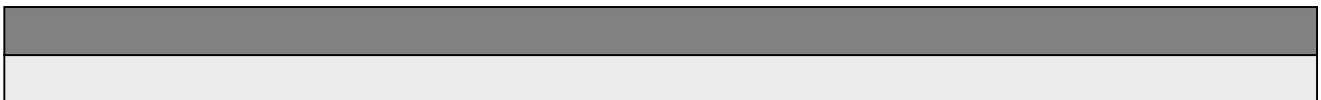
1. This Parts Catalog is the 1st edition of 3TN(A)66,68,72L Diesel Engine for WAKITA PRECISION.

Pub. No. : 000Y00D3931

Published : May,1991

2. Model name

Engine model	Vehicle		Vehicle made by
	Products	Model name	
3TN(A)66,68,72L	—	—	WAKITA PRECISION



## How to read this Parts Catalog.

1. Parts mentioned in Parts Catalog may not necessarily be standard equipping parts
2. Parts change may be made without prior notice.
3. Form of this Parts Catalog.

REF.	LEV.	PARTS No.	DESCRIPTION	QTY						I	R
				(A)	(B)	(C)	(D)	(E)	(F)		
1		729595-51390	FUEL INJECTION PUMP		1	1	1	1	1		
1-1	1	729595-51391	FUEL INJECTION PUMP	1	1	1	1	1	1		N
		(A=E00185) (B=E00200)									
3	2	26022-060162	SCREW M 6X16	9	9	9	9	9			
1 3-1	2	26022-060162	SCREW M 6X16	4	4	4	4	4			K
		(A=E00156) (B=E00156) (C=E00156) (D=E00156) (E=E00156)									
4	2	129470-51040	CAMSHFT	9	9	9	9	9			
5	2	122710-51050	BEARING. ROLLER	9	9	9	9	9			
6	2	129470-51060	RETAINER	9	9	9	9	9			

Remarks	
(1)	BOOST COMPENSATOR TYPE. OPTIONAL PART. TO E#00155 (4JH-DT, 4JH-DTZ)

### ① Ref. No.

The Ref. No. in the list may not be in accordance with the Ref. No. on illustration.

(Ex.) illustration No. List head No.

1 1 (Before change) → 1-1 (After change)

When interchangeable symbol N, and K, illustrations for the new parts are sometimes omitted.

### ② Lev. (Level)

Indication and Meaning of Level

Level Hereunder is given the relation among the number of number (1,2,3) the level and the nominal parent-child relationship.

1 ---- Parent parts (Assembly parts)

2 ---- Child parts included in " 1 " (Semi-Assembly parts, component parts of Assembly parts.)

3 ---- Child parts included in " 2 ", Grand-child parts in terms of " 1 ".

(Component parts of Semi-Assembly parts.)

Note) A parts of non-sale parts are illustrated but not listed.



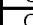
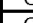
### ③ Change Mark

Change Mark " I " is given to the part for which a design change was made at this time.

The design change was not shown in the last published Parts Catalog.

### ④ Interchangeability Mark

In the case where a part change took place, one of the following interchangeability marks is indicated for that part

Symbol	Interchangeability	Contents note
N	Old ←  New	New Part is interchangeable for Old Part but not interchangeable conversely.
Q	Old ←  New	New Part is not interchangeable for Old Part but interchangeable conversely.
R	Old ←  New	New Part is interchangeable for Old Part and vice versa.
S	Old ←  New	New Part is not interchangeable for Old Part and vice versa.
W		Part newly added.
Z		Part discontinued.
F		Not interchangeable single part but interchangeable by set of the related parts.
K		Changed only in quantity used.

### ⑤ Effective Machine No.

When a part is changed, Effective Machine No. of a Model for which the part is applicable is indication

In each column of (A)-(F).

Product Symbol	Product No.	Product Symbol	Product No.
C	Clutch No, Compressor No,	M	Machine No,
D	Drive No,	T	Tractor No,
E	Engine No,	Note 1)※	Date

Note 1) Date may follow the symbol in some cases. (Ex.) ※1996.01

Note 2) As far as engine models shown by " XXX " are concerned, the modification of the parts could not be Predicted or the engine models themselves could not be identified.

Note 3) (A=E/#00185) means that the design change on the part has been effective for the model at the, column (A) (in the case, for 4JH-DT) on and from E/#(Engine Serial Number) 00185

### ⑥ Remarks Mark

Figures or alphabets (Symbols) are entered in the remark column.

The comments (remarks) on the pertinent parts are indicated in the lower part of the list by the same symbols a those stated above.

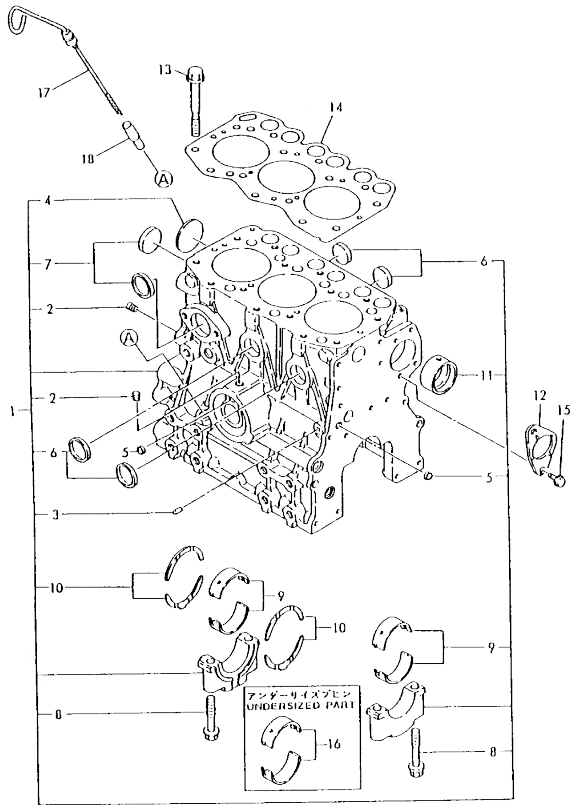
## Contents

Fig. No.	Fig. Name	Fig. No.	Fig. Name
ENG. 3TN(A)66,68,72L		25.	COOLING WATER LINE
1.	CYLINDER BLOCK	26.	FUEL INJECTION PUMP
2.	CYLINDER BLOCK	27.	FUEL INJECTION VALVE
3.	CYLINDER BLOCK	28.	FUEL STRAINER
4.	GEAR HOUSING	29.	FUEL INJECTION LINE
5.	GEAR HOUSING	30.	FUEL LINE
6.	FLYWHEEL HOUSING	31.	FUEL RETURN LINE
7.	OIL SEAL HOUSING	32.	GOVERNOR
8.	LUB.OIL SUMP	33.	CONTROL SYSTEM
9.	LUB.OIL SUMP	34.	STARTING MOTOR(COMPONENT PARTS)
10.	CYLINDER HEAD	35.	GENERATOR(COMPONENT PARTS)
11.	VALVE ROCKER ARM	36.	ELECTRIC PARTS
12.	BONNET	37.	TOOLS
13.	AIR CLEANER	38.	GASKET SET(OPTION)
14.	SUCTION & EXHAUST MANIFOLD	39.	SPECIAL TOOL(OPTIONAL)
15.	CAMSHAFT		
16.	CRANKSHAFT & FLYWHEEL		
17.	PISTON & CONNECTING ROD		
18.	IDLE GEAR & FUEL PUMP GEAR		
19.	LUB.OIL PUMP		
20.	LUB.OIL STRAINER		
21.	LUB.OIL SUCTION PIPE		
22.	COOLING WATER PUMP		
23.	RADIATOR & FAN		
24.	THERMOSTAT		

OCD10-M39301

Fig.1. CYLINDER BLOCK

019270-01110  
 019260-02100  
 019260-02280  
 019645-34100



(A)=3TN66L-UHW  
 (B)=3TNA68L-UHW  
 (C)=3TNA72L-UHW

(D)=  
 (E)=  
 (F)=

No.	Lev.	Parts No.	Description	Q'ty						I	R
				(A)	(B)	(C)	(D)	(E)	(F)		
1	1	719260-01560	BLOCK ASSY, CYLINDER	1							
2	2	124060-01050	PLUG, PT1/8	2							
3	2	27221-060100	PLUG, 6X10	1							
4	2	27231-400000	PLUG 40	1							
5	2	27241-100000	PLUG, 10	2							
6	2	27241-250000	PLUG, 25	4							
7	2	27241-300000	PLUG 30	2							
8	2	119260-02020	BOLT, METAL CAP	8							
9	2	719260-02800	BEARING, MAIN	4							
10	2	719260-02930	BEARING, THRUST	2							
11	2	119260-02410	BUSH, CAMSHAFT	1							
12	1	119620-02450	BEARING, THRUST	1							
13	1	119260-01200	BOLT, HEAD	14							
14	1	119255-01340	GASKET, HEAD	1							
15	1	26106-060122	BOLT, M6X 12 PLATED	2							
16	1	719260-02870	BEARING, 0.25 US	1							1
17	1	119645-34800	DIPSTICK, OIL	1							
18	1	121520-34810	GUIDE, DIPSTICK	1							

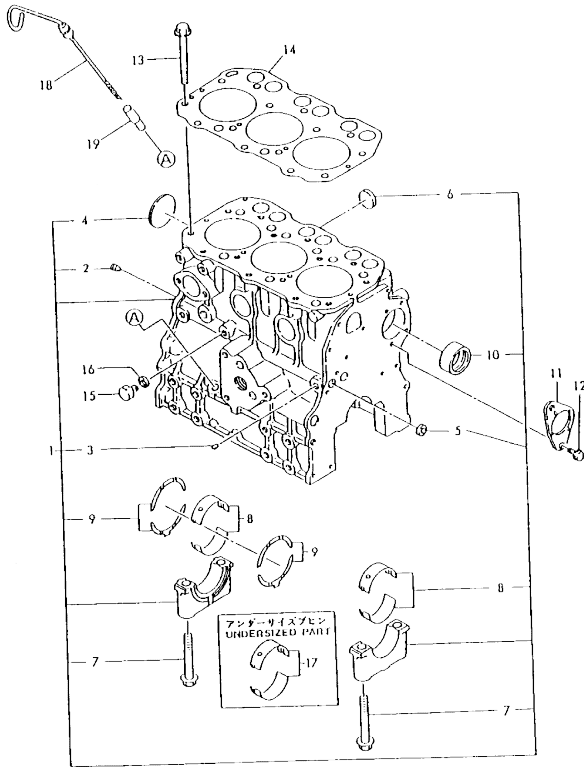
Remarks  
 (1) UNDER-SIZE PART.

N:Old  $\frac{100}{100}$  New, Q:Old  $\frac{100}{100}$  New, R:Old  $\frac{100}{100}$  New, S:Old  $\frac{100}{100}$  New, W:Add, Z:Discontinued, F:Interchangeable by set, K:Q'ty Change  
 Copyright (C) YANMAR CO., LTD. All Rights Reserved.

OCD10-M39301

Fig.2. CYLINDER BLOCK

019600-01100  
 019620-02100  
 019620-02200  
 019645-34100



No.	Lev.	Parts No.	Description	Q'ty						I	R
				(A)	(B)	(C)	(D)	(E)	(F)		
1	1	719600-01562	BLOCK ASSY, CYLINDER	1							
2	2	124160-01900	PLUG, PT1/4	1							
2-1	2	119600-01050	PLUG, PT1/4	1							N
(B=1987.12)											
3	2	23871-010000	PLUG, R01	1							
4	2	27231-450000	PLUG 45	1							
5	2	27241-120000	PLUG, 12	1							
6	2	27241-300000	PLUG 30	6							
7	2	119620-02020	BOLT, METAL CAP	8							
8	2	719620-02800	BEARING, MAIN	4							
9	2	719620-02930	BEARING, THRUST	2							
10	2	119620-02410	BUSH, CAMSHAFT	1							
11	1	119620-02450	BEARING, THRUST	1							
12	1	26106-060122	BOLT, M6X 12 PLATED	2							
13	1	119620-01200	BOLT, HEAD	14							
14	1	119656-01340	GASKET, HEAD	1							
15	1	119656-01900	PLUG, 8	1							Z
(B=EXXX)											
16	1	104884-59170	GASKET	1							Z
(B=EXXX)											
17	1	719620-02870	BEARING, 0.25 US	4							1
18	1	119645-34800	DIPSTICK, OIL	1							
19	1	121520-34810	GUIDE, DIPSTICK	1							

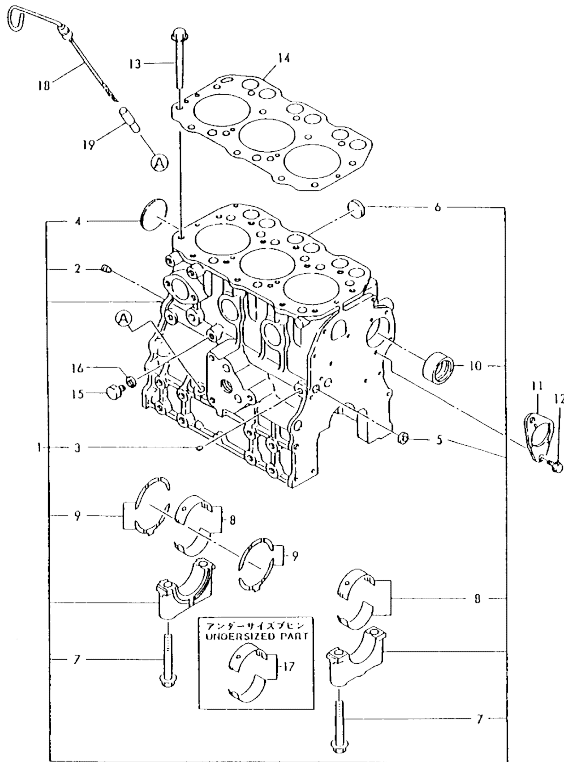
Remarks  
 (1) UNDER-SIZE PART.

N:Old  $\frac{100}{100}$  New, Q:Old  $\frac{100}{100}$  New, R:Old  $\frac{100}{100}$  New, S:Old  $\frac{100}{100}$  New, W:Add, Z:Discontinued, F:Interchangeable by set, K:Q'ty Change  
 Copyright (C) YANMAR CO., LTD. All Rights Reserved.

OCD10-M39301

Fig.3. CYLINDER BLOCK

019610-01100  
 019620-02100  
 019620-02200  
 019645-34100



No.	Lev.	Parts No.	Description	Q'ty						I	R	
				(A)	(B)	(C)	(D)	(E)	(F)			
1	1	719610-01560	BLOCK ASSY, CYLINDER									
2	2	124160-01910	PLUG, PT1/4									
2-1	2	119600-01050	PLUG, PT1/4									N
			(C=E18586)									
3	2	23871-010000	PLUG, R01									
4	2	27231-450000	PLUG 45									
5	2	27241-120000	PLUG, 12									
6	2	27241-300000	PLUG 30									
7	2	119620-02020	BOLT, METAL CAP									
8	2	719620-02800	BEARING, MAIN									
9	2	719620-02930	BEARING, THRUST									
10	2	119620-02410	BUSH, CAMSHAFT									
11	1	119620-02450	BEARING, THRUST									
12	1	26106-060122	BOLT, M6X 12 PLATED									
13	1	119620-01200	BOLT, HEAD									
14	1	119610-01340	GASKET, HEAD									
15	1	119656-01900	PLUG, 8									Z
			(C=E18586)									
16	1	104884-59170	GASKET									Z
			(C=E18586)									
17	1	719620-02870	BEARING, 0.25 US									1
18	1	119645-34800	DIPSTICK, OIL									
19	1	121520-34810	GUIDE, DIPSTICK									

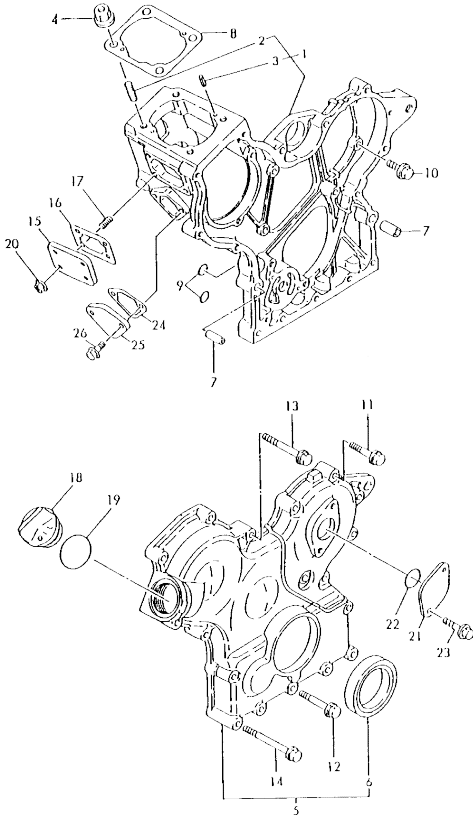
Remarks  
 (1) UNDER-SIZE PART.

N:Old  $\frac{100}{100}$  New, Q:Old  $\frac{100}{100}$  New, R:Old  $\frac{100}{100}$  New, S:Old  $\frac{100}{100}$  New, W:Add, Z:Discontinued, F:Interchangeable by set, K:Q'ty Change  
 Copyright (C) YANMAR CO., LTD. All Rights Reserved.

OCD10-M39301

Fig.4. GEAR HOUSING

019260-01200  
 019660-01300  
 019660-01800  
 019660-52200



No.	Lev.	Parts No.	Description	Qty						I	R
				(A)	(B)	(C)	(D)	(E)	(F)		
1	1	119260-01490	CASE ASSY, GEAR	1							W
(A=*1987.11)											
2	2	121450-01560	STUD, M8X22	4							
3	2	22351-040010	PIN, SPRING 4.0X10	2							
4	1	194990-22050	NUT, M8	4							
5	1	119260-01590	COVER ASSY, GEAR CASE	1							W
(A=*1990.05)											
6	2	119620-01800	SEAL, OIL	1							
7	1	119660-01911	PIPE, KNOCK	4							
8	1	119620-01950	SHIM SET, ADJUSTING	1							
9	1	24311-000120	O-RING, 1AP12.0	2							
10	1	26106-060162	BOLT, M6X 16 PLATED	5							
11	1	26106-060302	BOLT, M6X 30 PLATED	5							
12	1	26106-060402	BOLT, M6X 40 PLATED	3							
13	1	26106-060502	BOLT, M6X 50 PLATED	4							
14	1	26106-060652	BOLT, M6X 65 PLATED	6							
15	1	119660-01551	COVER	1							
16	1	119660-01561	GASKET	1							
16-1	1	119660-01562	GASKET	1							N
(A=*1990.01)											
17	1	119660-01570	STUD, M6X12	4							
18	1	124160-01751	COVER, FILLER	1							
19	1	121420-01760	O-RING	1							
19-1	1	24311-000320	O-RING, 1AP32.0	1							N
(A=*1988.04)											
20	1	26366-060002	NUT, M6	4							
21	1	121023-01550	COVER	1							
22	1	24341-000260	O-RING, 1AS26.0	1							
22-1	1	24341-000240	O-RING, 1AS24.0	1							S
(A=*1989.01)											
23	1	26106-060182	BOLT, M6X 18 PLATED	2							
24	1	121520-01850	GASKET	1							
24-1	1	121520-01851	GASKET	1							N
(A=*1990.01)											
25	1	121520-01860	COVER	1							
26	1	26106-060162	BOLT, M6X 16 PLATED	2							

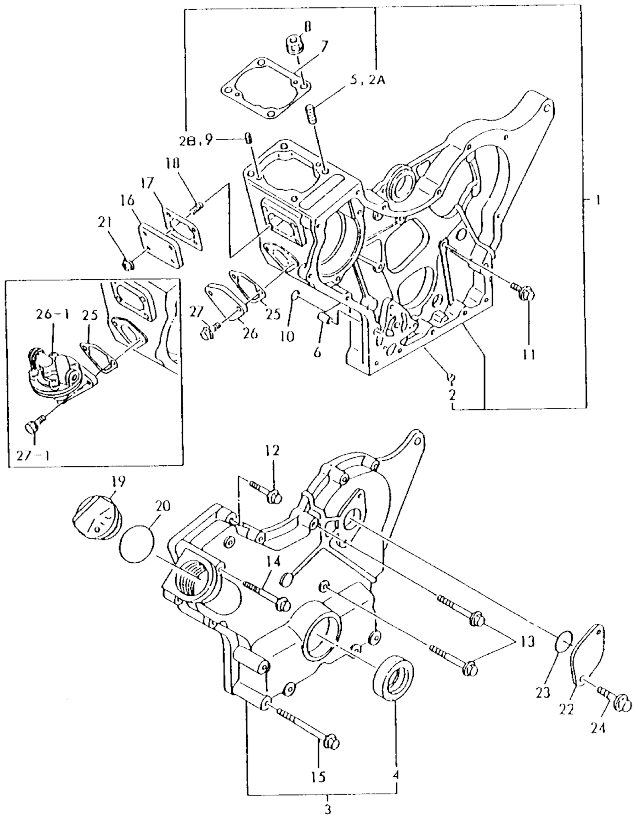
N:Old  $\frac{100}{100}$  New, Q:Old  $\frac{100}{100}$  New, R:Old  $\frac{100}{100}$  New, S:Old  $\frac{100}{100}$  New, W:Add, Z:Discontinued, F:Interchangeable by set, K:Qty Change  
 Copyright (C) YANMAR CO., LTD. All Rights Reserved.



OCD10-M39301

Fig.5. GEAR HOUSING

019610-01200  
 019600-01300  
 019600-01800  
 019600-52100  
 019600-52200



(A)=3TN66L-UHW (D)=  
 (B)=3TNA68L-UHW (E)=  
 (C)=3TNA72L-UHW (F)=

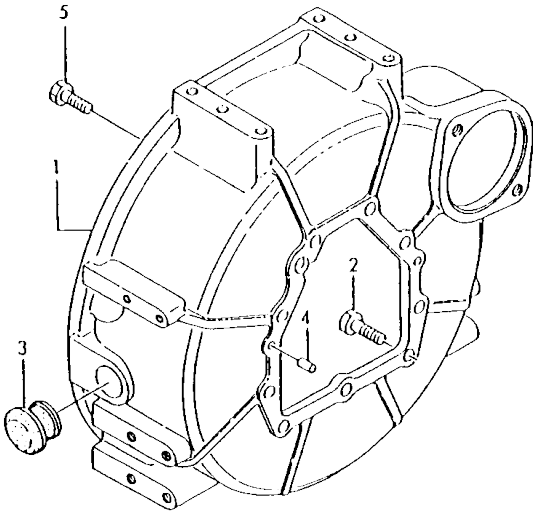
No.	Lev.	Parts No.	Description	Qty						I	R
				(A)	(B)	(C)	(D)	(E)	(F)		
1	1	119610-01490	CASE ASSY, GEAR		1	1					
2	2	119660-01510	PLUG, 10X14		1	1					
2A	2	121450-01560	STUD, M8X22		4	4					W
2B	2	22351-040010	PIN, SPRING 4.0X10		2	2					W
3	1	119610-01590	COVER ASSY, GEAR CASE		1	1					W
4	2	119620-01800	SEAL, OIL		1	1					
5	1	121450-01560	STUD, M8X22		4	4					Z
6	1	119660-01911	PIPE, KNOCK		4	4					
7	1	119620-01950	SHIM SET, ADJUSTING		1	1					
8	1	194990-22050	NUT, M8		4	4					
9	1	22351-040010	PIN, SPRING 4.0X10		2	2					Z
10	1	24311-000120	O-RING, 1AP12.0		2	2					
11	1	26106-060162	BOLT, M6X 16 PLATED		7	7					
12	1	26106-060302	BOLT, M6X 30 PLATED		8	8					
13	1	26106-060602	BOLT, M6X 60 PLATED		3	3					
14	1	26106-060602	BOLT, M6X 60 PLATED		1	1					
15	1	26106-060802	BOLT, M6X 80 PLATED		6	6					
16	1	119660-01551	COVER		1	1					
17	1	119660-01561	GASKET		1	1					
17-1	1	119660-01562	GASKET		1	1					N
18	1	119660-01570	STUD, M6X12		4	4					
19	1	124160-01751	COVER, FILLER		1	1					
20	1	121420-01760	O-RING		1	1					
20-1	1	24311-000320	O-RING, 1AP32.0		1	1					N
21	1	26366-060002	NUT, M6		4	4					
22	1	121023-01550	COVER		1	1					
23	1	24341-000260	O-RING, 1AS26.0		1	1					
23-1	1	24341-000240	O-RING, 1AS24.0		1	1					S
24	1	26106-060182	BOLT, M6X 18 PLATED		2	2					
25	1	121520-01850	GASKET		1	1					
25-1	1	121520-01851	GASKET		1	1					N
26	1	121520-01860	COVER		1	1					
26-1	1	119600-52021	PUMP ASSY, FUEL FEED		1	1					S
27	1	26106-060162	BOLT, M6X 16 PLATED		2	2					
27-1	1	26014-060202	BOLT, M6X 20		2	2					S

N:Old  $\frac{100}{100}$  New, Q:Old  $\frac{100}{100}$  New, R:Old  $\frac{100}{100}$  New, S:Old  $\frac{100}{100}$  New, W:Add, Z:Discontinued, F:Interchangeable by set, K:Qty Change  
 Copyright (C) YANMAR CO., LTD. All Rights Reserved.

OCD10-M39301

Fig.6. FLYWHEEL HOUSING

D19600-01400



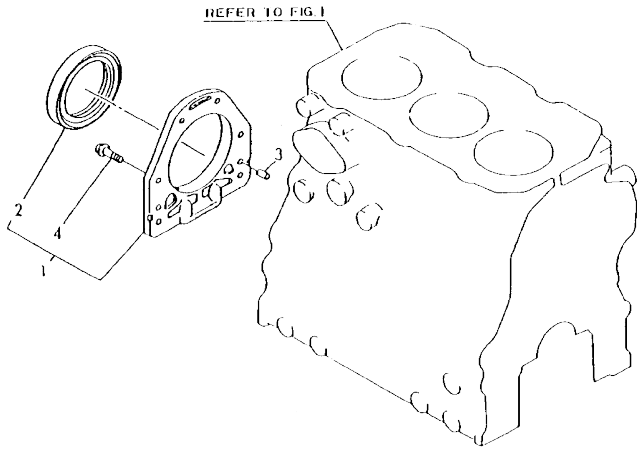
(A)=3TN66L-UHW (D)=  
 (B)=3TNA68L-UHW (E)=  
 (C)=3TNA72L-UHW (F)=

No.	Lev.	Parts No.	Description	Q'ty					
				(A)	(B)	(C)	(D)	(E)	(F)
1	1	119600-01600	HOUSING, FLYWHEEL	1	1	1			
2	1	121120-01620	BOLT, M10X28	3	3	3			
3	1	119620-01750	CAP	1	1	1			
4	1	129100-01580	PIN, M8X16	2	2	2			
5	1	26206-100252	BOLT, M10X 25 PLATED	6	6	6			

OCD10-M39301

Fig.7. OIL SEAL HOUSING

D19600-01500



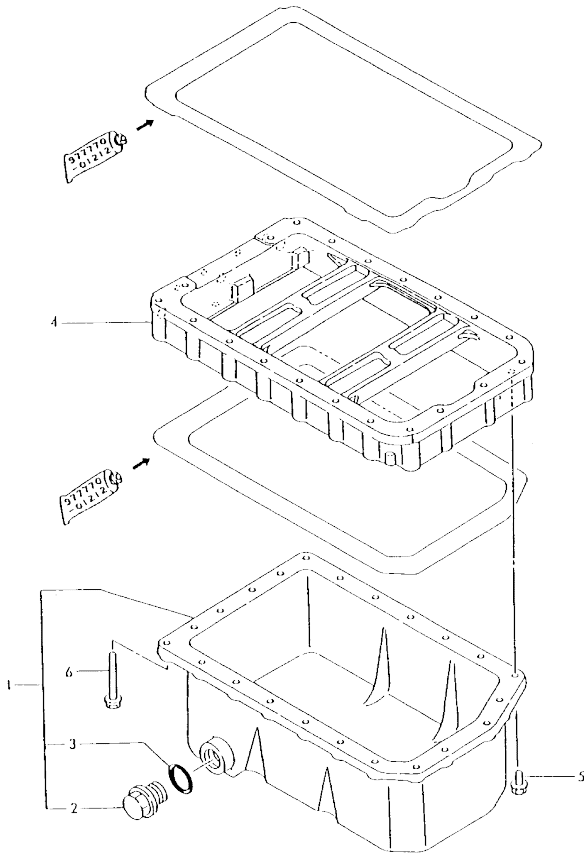
(A)=3TN66L-UHW  
(B)=3TNA68L-UHW  
(C)=3TNA72L-UHW  
(D)=  
(E)=  
(F)=

No.	Lev.	Parts No.	Description	Q'ty						I	R
				(A)	(B)	(C)	(D)	(E)	(F)		
1	1	119660-01640 (A=*1990.05) (B=*1990.05) (C=*1990.05)	CASE ASSY, OIL SEAL	1	1	1					W
2	2	124085-02220	SEAL, OIL	1	1	1					
3	1	119620-01620	PIN, M6X10	2	2	2					
4	1	26106-060202	BOLT, M6X 20 PLATED	10	10	10					
4-1	1	26106-060222	BOLT, M6X 22 PLATED	10	10	10					N
		(A=EXXX) (B=EXXX) (C=EXXX)									

OCD10-M39301

Fig.8. LUB.OIL SUMP

019260-01770



(A)=3TN66L-UHW  
(B)=3TNA68L-UHW  
(C)=3TNA72L-UHW

(D)=  
(E)=  
(F)=

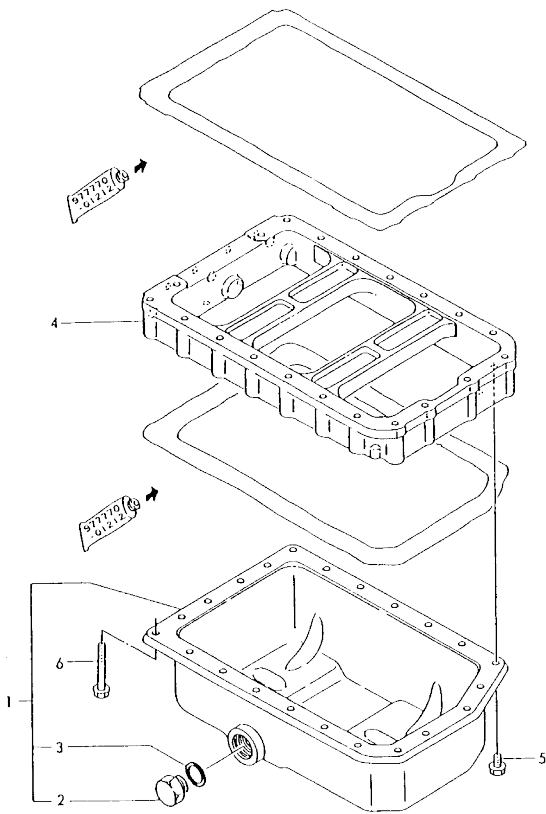
No.	Lev.	Parts No.	Description	Q'ty						I	R
				(A)	(B)	(C)	(D)	(E)	(F)		
1	1	719288-01540	SUMP ASSY, OIL	1							
1-1	1	119260-01770	SUMP ASSY, OIL	1							N
(A=1990.)											
2	2	121400-01640	PLUG, 16	1							
3	2	24311-000180	O-RING, 1AP18.0	1							
4	1	119454-01721	SPACER, OIL SUMP	1							
5	1	26106-060102	BOLT, M6X 10 PLATED	3							
6	1	26106-060452	BOLT, M6X 45 PLATED	20							

N:Old  $\frac{100}{100}$  New. Q:Old  $\frac{100}{100}$  New. R:Old  $\frac{100}{100}$  New. S:Old  $\frac{100}{100}$  New. W:Add. Z:Discontinued. F:Interchangeable by set. K:Q'ty Change  
Copyright (C) YANMAR CO., LTD. All Rights Reserved.

OCD10-M39301

Fig.9. LUB.OIL SUMP

019600-01700



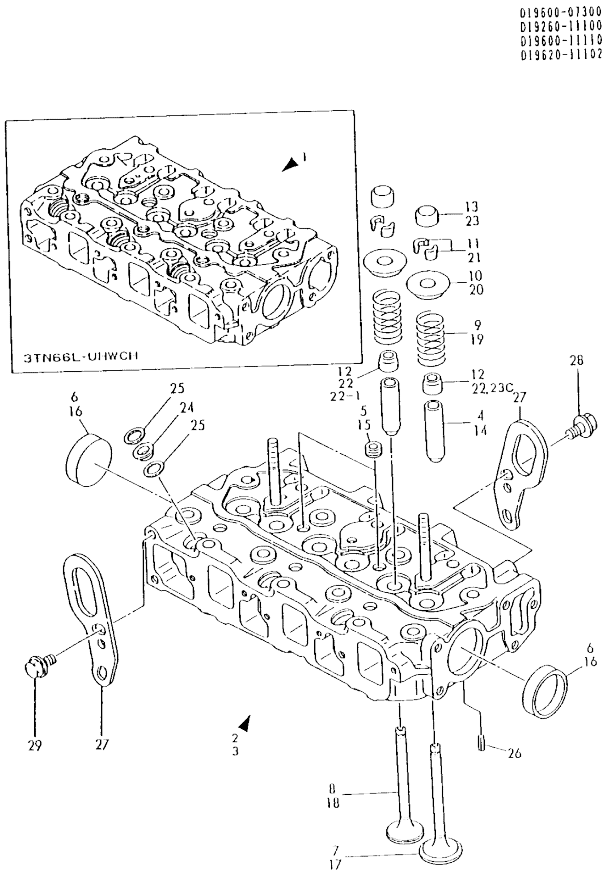
(A)=3TN66L-UHW  
(B)=3TNA68L-UHW  
(C)=3TNA72L-UHW  
(D)=  
(E)=  
(F)=

No.	Lev.	Parts No.	Description	Q'ty						I	R
				(A)	(B)	(C)	(D)	(E)	(F)		
1	1	719600-01541	SUMP ASSY, OIL	1	1						
1-1	1	119600-01770 (B=*1990.)	SUMP ASSY, OIL (C=*1990.)	1	1						N
2	2	171301-01640	PLUG, 22		1	1					
3	2	24341-000240	O-RING, 1AS24.0		1	1					
4	1	119600-01722	SPACER, OIL SUMP		1	1					
5	1	26106-060122	BOLT, M6X 12 PLATED		3	3					
6	1	26106-060452	BOLT, M6X 45 PLATED		20	20					

N:Old  $\frac{New}{Old}$  New. Q:Old  $\frac{New}{Old}$  New. R:Old  $\frac{New}{Old}$  New. S:Old  $\frac{New}{Old}$  New. W:Add. Z:Discontinued. F:Interchangeable by set. K:Q'ty Change  
Copyright (C) YANMAR CO., LTD. All Rights Reserved.

OCD10-M39301

Fig.10. CYLINDER HEAD



019600-01300  
 019260-11100  
 019600-11110  
 019670-11107

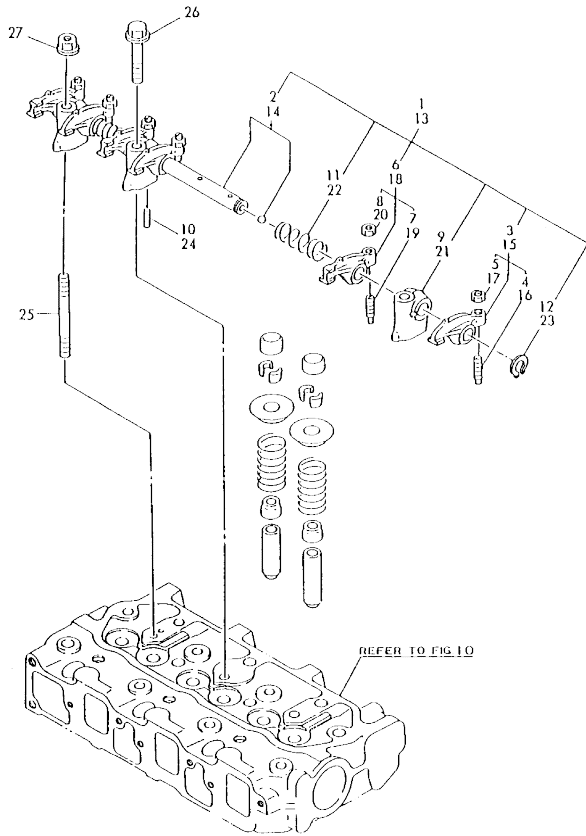
No.	Lev.	Parts No.	Description	Q'ty						I	R
				(A)	(B)	(C)	(D)	(E)	(F)		
1	1	719260-11700	HEAD ASSY, CYLINDER	1							
2	1	719600-11700	HEAD ASSY, CYLINDER		1						
3	1	719620-11700	HEAD ASSY, CYLINDER			1					
4	2	119260-11800	GUIDE, VALVE		6						1
5	2	121850-11860	PLUG, PT1/4		2						
6	2	27241-350000	PLUG, 35		2						
7	2	119260-11100	VALVE, INTAKE		3						
8	2	119260-11110	VALVE, EXHAUST		3						
9	2	114250-11120	SPRING, VALVE		6						
10	2	114250-11180	RETAINER, SPRING		6						
11	2	114250-11190	COTTER		6						
12	2	119260-11340	SEAL, VALVE STEM		6						
13	2	119260-11370	CAP, VALVE		6						
14	2	119620-11801	GUIDE, VALVE		6	6					1
15	2	121850-11860	PLUG, PT1/4		2	2					
16	2	27241-400000	PLUG, 40		2	2					
17	2	119620-11100	VALVE, INTAKE		3	3					
18	2	119620-11110	VALVE, EXHAUST		3	3					
19	2	119620-11120	SPRING, VALVE		6	6					
20	2	119620-11180	RETAINER, SPRING		6	6					
21	2	101158-11190	COTTER		6	6					
22	2	124950-11340	SEAL, VALVE STEM		6	6					
22-1	2	124950-11340	SEAL, VALVE STEM (B=E07233) (C=E15989)		3	3					K
23	2	104211-11370	CAP, VALVE		6	6					
23C	2	124160-11340	SEAL, VALVE STEM (B=E07233) (C=E15989)		3	3					W
24	1	119600-11450	PROTECTOR, NOZZLE		3	3	3				
25	1	119600-11460	GASKET, NOZZLE		6	6	6				
26	1	22351-060012	PIN, SPRING 6.0X12		2	2	2				
27	1	119260-07900	LIFTER		2	2	2				
28	1	26106-080142	BOLT, M8X 14 PLATED		1	1	1				
29	1	26106-080142	BOLT, M8X 14 PLATED		2	2	2				

Remarks  
 (1)REPAIR PART.

N:Old  $\frac{100}{100}$  New, Q:Old  $\frac{100}{100}$  New, R:Old  $\frac{100}{100}$  New, S:Old  $\frac{100}{100}$  New, W:Add, Z:Discontinued, F:Interchangeable by set, K:Q'ty Change  
 Copyright (C) YANMAR CO., LTD. All Rights Reserved.

OCD10-M39301

Fig.11. VALVE ROCKER ARM



019260-11200  
019620-11200

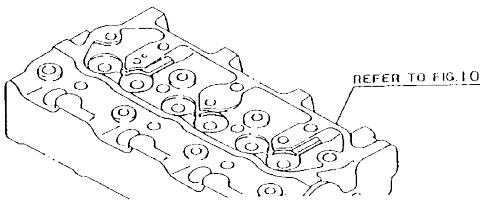
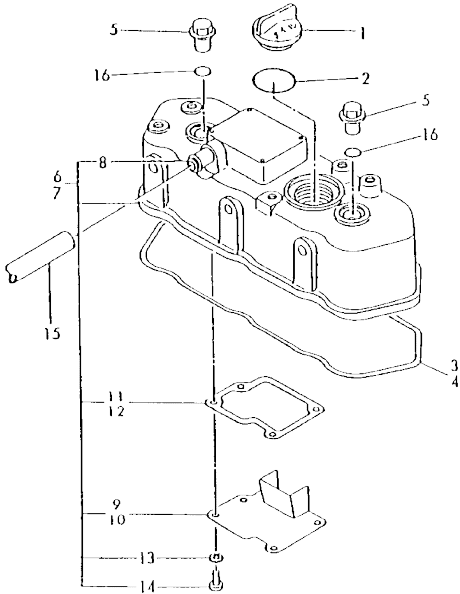
(A)=3TN66L-UHW (D)=  
(B)=3TNA68L-UHW (E)=  
(C)=3TNA72L-UHW (F)=

No.	Lev.	Parts No.	Description	Q'ty						I	R	
				(A)	(B)	(C)	(D)	(E)	(F)			
1	1	119260-11200	SUPPORT ASSY, ARM	1								
2	2	119260-11240	SHAFT ASSY, ROCKER	1								
3	2	719260-11650	ARM ASSY, ROCKER	3								
4	3	105010-11230	SCREW, VALVE ADJUST	3								
5	3	26756-060002	NUT, LOCK M6	3								
6	2	719260-11660	ARM ASSY, ROCKER	3								
7	3	105010-11230	SCREW, VALVE ADJUST	3								
8	3	26756-060002	NUT, LOCK M6	3								
9	2	119260-11260	SUPPORT, ROCKER ARM	3								
10	2	119260-11270	SCREW	1								
11	2	119260-11280	SPRING	2								
12	2	22242-000100	RING, 10	2								
13	1	119620-11200	SUPPORT ASSY, ARM		1	1						
14	2	119620-11240	SHAFT ASSY, ROCKER		1	1						
15	2	719620-11650	ARM ASSY, ROCKER		3	3						
16	3	105010-11230	SCREW, VALVE ADJUST		3	3						
17	3	26756-060002	NUT, LOCK M6		3	3						
18	2	719620-11660	ARM ASSY, ROCKER		3	3						
19	3	105010-11230	SCREW, VALVE ADJUST		3	3						
20	3	26756-060002	NUT, LOCK M6		3	3						
21	2	119620-11260	SUPPORT, ROCKER ARM		3	3						
22	2	119620-11280	SPRING		2	2						
23	2	22242-000120	RING, 12		2	2						
24	2	26979-050162	SCREW, M5X16		1	1						
25	1	119620-11350	STUD		2	2						
26	1	26106-080452	BOLT, M8X 45 PLATED		1	1						
27	1	26366-080002	NUT, M8		2	2						

OCD10-M39301

Fig.12. BONNET

019241-03100  
 019643-03100  
 019260-11310  
 019610-11300  
 019247-93100  
 019647-93100  
 019647-93110



(A)=3TN66L-UHW (D)=  
 (B)=3TNA68L-UHW (E)=  
 (C)=3TNA72L-UHW (F)=

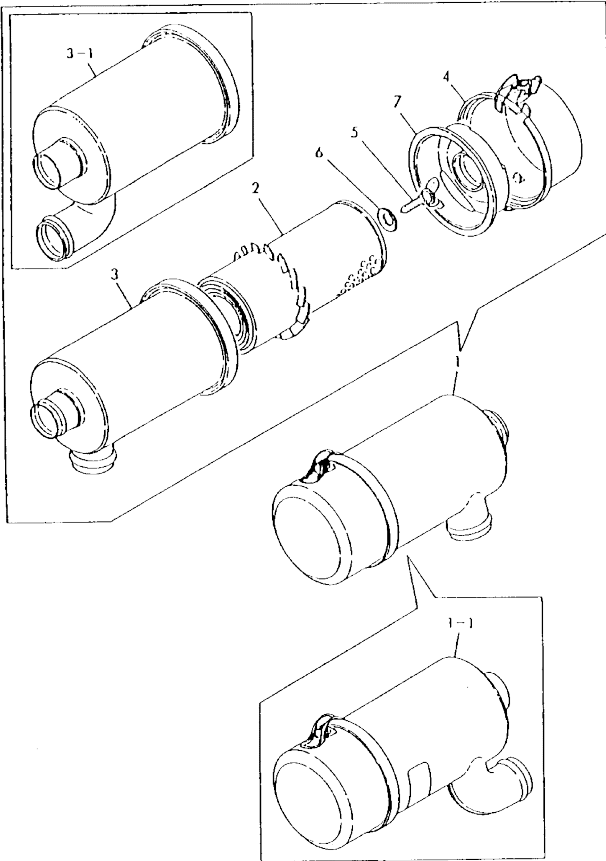
No.	Lev.	Parts No.	Description	Q'ty						I	R
				(A)	(B)	(C)	(D)	(E)	(F)		
1	1	124160-01751	COVER, FILLER	1	1	1					
2	1	121420-01760	O-RING	1	1	1					
2-1	1	24311-000320	O-RING, 1AP32.0	1	1	1					N
3	1	119260-11310	GASKET, BONNET	1							
4	1	119620-11310	GASKET, BONNET		1	1					
5	1	124160-11360	KNOB	2	2	2					
6	1	719260-11520	BONNET ASSY, HEAD	1							
7	1	719620-11520	BONNET ASSY, HEAD		1	1					
8	2	119620-11390	JOINT	1	1	1					
9	2	119260-03020	PLATE, SHELTER	1							
10	2	119620-03020	PLATE, SHELTER		1	1					
11	2	119260-03030	GASKET	1							
11-1	2	119260-03031	GASKET		1						N
12	2	119620-03030	GASKET		1	1					
12-1	2	119620-03031	GASKET		1	1					N
13	2	22217-050000	WASHER, SPRING 5	4	4	4					
14	2	26557-050102	SCREW, M5X10	4	4	4					
15	1	23065-120800	PIPE, 12X 800	1	1	1					
16	1	24311-000120	O-RING, 1AP12.0	2	2	2					



OCD10-M39301

Fig.13. AIR CLEANER

D19247-93100  
 D19647-93100  
 D19647-53110



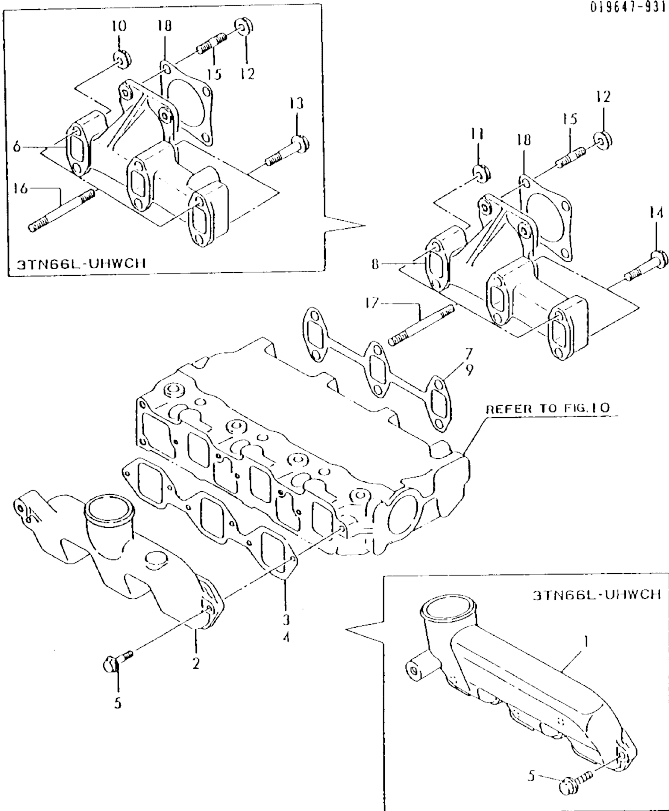
No.	Lev.	Parts No.	Description	Q'ty						I	R
				(A)	(B)	(C)	(D)	(E)	(F)		
1	1	171033-12500	CLEANER ASSY, AIR								
1-1	1	121465-12500	CLEANER ASSY, AIR (C=E18586)	1	1	1					R
2	2	171033-12510	ELEMENT				1	1	1		
2-1	2	121465-12510	ELEMENT (C=E18586)						1		R
3	2	171033-12540	CASE ASSY, CLEANER				1	1	1		
3-1	2	121465-12650	CASE ASSY (C=E18586)						1		R
4	2	171033-12560	PAN ASSY, DUST				1	1	1		
4-1	2	121465-12660	PAN, DUST (C=E18586)						1		R
5	2	124064-12680	BOLT				1	1	1		
6	2	124064-12690	WASHER				1	1	1		
7	2	121465-12700	RETAINER, ELEMENT				1	1	1		

N:Old  $\frac{100}{100}$  New, Q:Old  $\frac{100}{100}$  New, R:Old  $\frac{100}{100}$  New, S:Old  $\frac{100}{100}$  New, W:Add, Z:Discontinued, F:Interchangeable by set, K:Qty Change  
 Copyright (C) YANMAR CO., LTD. All Rights Reserved.

OCD10-M39301

Fig.14. SUCTION & EXHAUST MANIFOLD

019225-12200  
 019620-12200  
 019260-13100  
 019600-13200  
 019247-93100  
 019647-93100  
 019647-93110



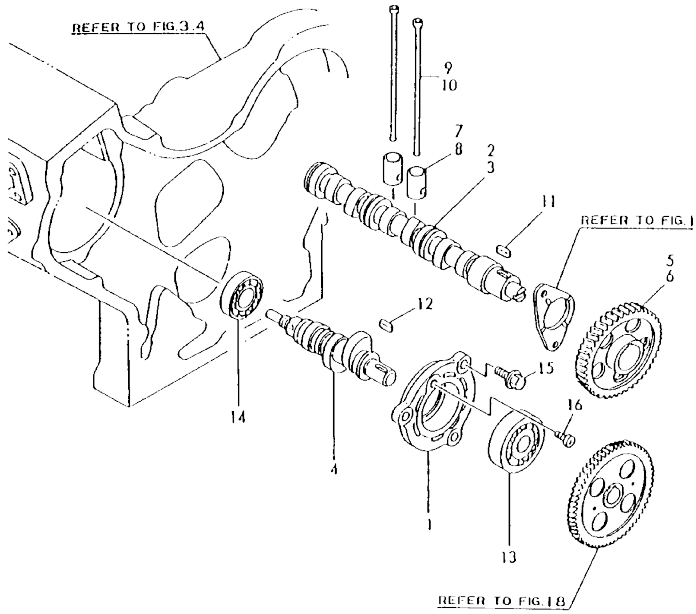
No.	Lev.	Parts No.	Description	Q'ty						I	R
				(A)	(B)	(C)	(D)	(E)	(F)		
1	1	119260-12100	MANIFOLD, AIR INTAKE	1							
2	1	119620-12101	MANIFOLD, AIR INTAKE		1	1					
3	1	119260-12110	GASKET, MANIFOLD	1							
3-1	1	119260-12111	GASKET, MANIFOLD	1							N
4	1	119620-12110	GASKET, MANIFOLD		1	1					
4-1	1	119620-12111	GASKET, MANIFOLD		1	1					N
5	1	26106-060202	BOLT, M6X 20 PLATED	4	6	6					
6	1	119260-13100	MANIFOLD, EXHAUST	1							
7	1	119260-13110	GASKET	1							
8	1	119600-13100	MANIFOLD, EXHAUST		1	1					
9	1	119620-13110	GASKET		1	1					
10	1	26366-060002	NUT, M6	2							
11	1	194990-22050	NUT, M8		2	2					
12	1	194990-22050	NUT, M8	4	4	4					
13	1	26106-060352	BOLT, M6X 35 PLATED	4							
14	1	26106-080402	BOLT, M8X 40 PLATED		4	4					
15	1	26216-080222	STUD, M8X 22	4	4	4					
16	1	26216-060402	STUD, M6X 40	2							
17	1	26216-080552	STUD, M8X 55		2	2					
18	1	121000-13200	GASKET, SILENCER	1	1	1					

N:Old  $\frac{New}{Old}$  New, Q:Old  $\frac{New}{Old}$  New, R:Old  $\frac{New}{Old}$  New, S:Old  $\frac{New}{Old}$  New, W:Add, Z:Discontinued, F:Interchangeable by set, K:Qty Change  
 Copyright (C) YANMAR CO., LTD. All Rights Reserved.

OCD10-M39301

Fig.15. CAMSHAFT

019260-14100  
 019660-14101  
 019260-14200



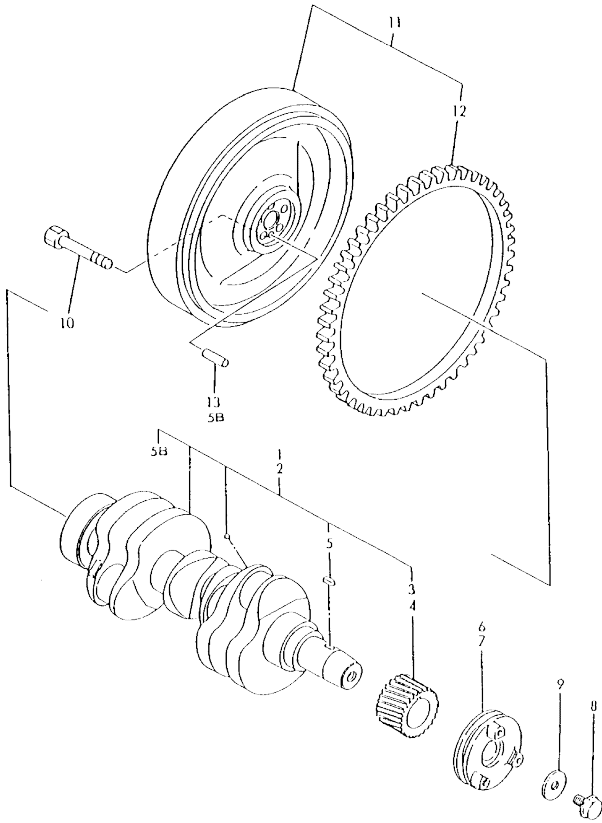
(A)=3TN66L-UHW (D)=  
 (B)=3TN66L-UHW (E)=  
 (C)=3TN66L-UHW (F)=

No.	Lev.	Parts No.	Description	Q'ty					
				(A)	(B)	(C)	(D)	(E)	(F)
1	1	119660-01821	BEARING, FUEL CAM	1	1	1			
2	1	119260-14010	CAMSHAFT	1					
3	1	119620-14010	CAMSHAFT		1	1			
4	1	119660-14092	CAMSHAFT	1	1	1			
5	1	119260-14100	GEAR, CAMSHAFT	1					
6	1	119620-14100	GEAR, CAMSHAFT		1	1			
7	1	119260-14200	TAPPET		6				
8	1	119620-14200	TAPPET			6	6		
9	1	119260-14400	ROD, PUSH		6				
10	1	119620-14400	ROD, PUSH			6	6		
11	1	22512-040120	KEY, 4X 12	1	1	1			
12	1	22512-040120	KEY, 4X 12	1	1	1			
13	1	24101-062034	BEARING, BALL 6203	1	1	1			
14	1	24102-063034	BEARING, BALL 6303U	1	1	1			
15	1	26106-060162	BOLT, M6X 16 PLATED	3	3	3			
16	1	26587-080102	SCREW, M8X10	1	1	1			

OCD10-M39301

Fig.16. CRANKSHAFT & FLYWHEEL

019260-21100  
 019660-21101  
 019260-21300  
 019643-21300  
 019600-21210  
 019643-21200

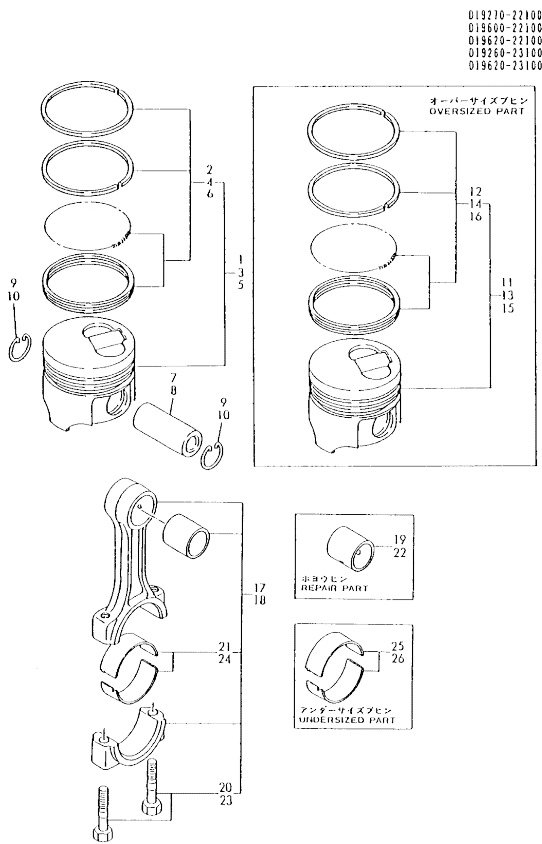


No.	Lev.	Parts No.	Description	Q'ty						I	R
				(A)	(B)	(C)	(D)	(E)	(F)		
1	1	719260-21700	CRANKSHAFT ASSY	1							
2	1	719660-21701	CRANKSHAFT ASSY		1	1					
2-1	1	719660-21700	CRANKSHAFT ASSY		1	1					N
3	2	119260-21200	GEAR, CRANKSHAFT	1							
4	2	119660-21201	GEAR, CRANKSHAFT		1	1					
5	2	22512-040120	KEY, 4X 12		1	1	1				
5B	2	129100-01580	PIN, M8X16		1	1	1				W
6	1	119260-21650	V-PULLEY	1							
7	1	119649-21650	V-PULLEY		1	1					
8	1	119621-21680	BOLT, FLANGE 12X1.25		1	1	1				
9	1	119620-21941	WASHER		1	1	1				
10	1	121111-21501	BOLT, FLYWHEEL		5	5	5				
11	1	119643-21590	FLYWHEEL ASSY		1	1	1				
11-1	1	119600-21580	FLYWHEEL ASSY				1				N
12	2	119865-21600	GEAR, RING		1	1	1				
13	1	129100-01580	PIN, M8X16		1	1	1				Z

N:Old  $\frac{New}{Old}$  New, Q:Old  $\frac{New}{Old}$  New, R:Old  $\frac{New}{Old}$  New, S:Old  $\frac{New}{Old}$  New, W:Add, Z:Discontinued, F:Interchangeable by set, K:Q'ty Change  
 Copyright (C) YANMAR CO., LTD. All Rights Reserved.

OCD10-M39301

Fig.17. PISTON & CONNECTING ROD



No.	Lev.	Parts No.	Description	Q'ty						I	R
				(A)	(B)	(C)	(D)	(E)	(F)		
1	1	119270-22090	PISTON ASSY	3							
1-1	1	119270-22091	PISTON ASSY	3							N
(A=1987.07)											
2	2	719270-22500	RING SET, PISTON	3							
2-1	2	719270-22501	RING SET, PISTON	3							N
(A=1987.07)											
3	1	119600-22091	PISTON ASSY	3							
3-1	1	119600-22092	PISTON ASSY	3							N
(B=E07233)											
4	2	719600-22501	RING SET, PISTON	3							
4-1	2	719630-22502	RING SET, PISTON	3							N
(B=E07233)											
5	1	119620-22090	PISTON ASSY				3				
6	2	719620-22500	RING SET, PISTON				3				
7	1	119260-22300	PIN, PISTON	3							
8	1	119620-22300	PIN, PISTON			3	3				
9	1	105225-22400	CIRCLIP		6						
10	1	22252-000210	RING, 21		6	6					
11	1	719270-22820	PISTON ASSY, 0.25 OS	3							1
12	2	719270-22540	RING SET, 0.25 OS	3							1
13	1	719600-22820	PISTON ASSY, 0.25 OS			3					1
14	2	719600-22540	RING SET, 0.25 OS			3					1
15	1	719620-22820	PISTON ASSY, 0.25 OS				3				1
16	2	719620-22540	RING SET, 0.25 OS				3				1
17	1	719260-23100	ROD ASSY, CONNECTING	3							
18	1	719620-23100	ROD ASSY, CONNECTING		3	3					
19	2	119260-23910	BEARING, PISTON PIN	3							2
20	2	119260-23200	BOLT, CONNECTING ROD	6							
21	2	719260-23600	BEARING, CRANK PIN	3							
22	2	119620-23910	BEARING, PISTON PIN		3	3					2
23	2	105225-23200	BOLT, CONNECTING ROD		6	6					
24	2	719620-23600	BEARING, CRANK PIN		3	3					
25	1	719260-23610	BEARING ASSY, 0.25	3							3
26	1	719620-23610	BEARING ASSY, 0.25		3	3					3

Remarks  
 (1)OVER-SIZE PART.  
 (2)REPAIR PART.  
 (3)UNDER-SIZE PART.

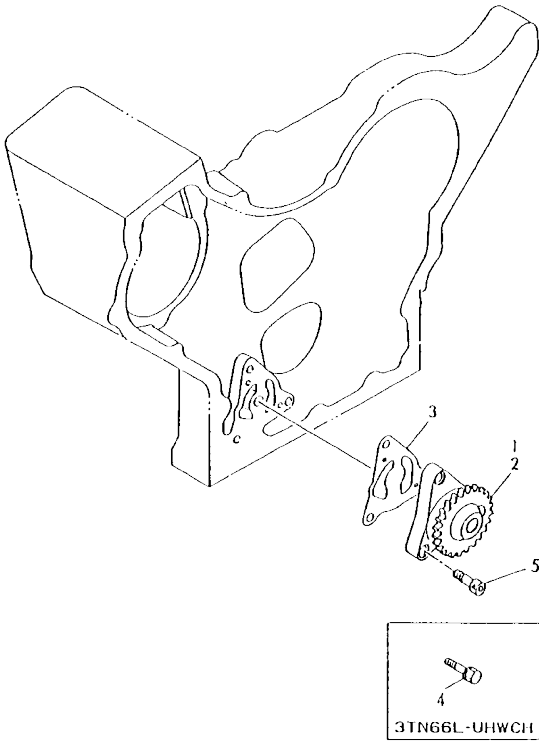
N:Old  $\frac{100}{100}$  New, Q:Old  $\frac{100}{100}$  New, R:Old  $\frac{100}{100}$  New, S:Old  $\frac{100}{100}$  New, W:Add, Z:Discontinued, F:Interchangeable by set, K:Qty Change  
 Copyright (C) YANMAR CO., LTD. All Rights Reserved.



OCD10-M39301

Fig.19. LUB.OIL PUMP

019260-32100  
019660-32100



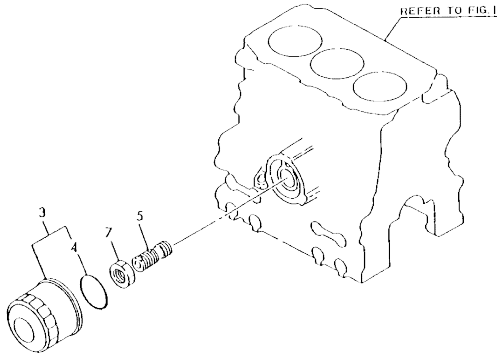
(A)=3TN66L-UHW  
(B)=3TNA68L-UHW  
(C)=3TNA72L-UHW  
(D)=  
(E)=  
(F)=

No.	Lev.	Parts No.	Description	Q'ty					
				(A)	(B)	(C)	(D)	(E)	(F)
1	1	119260-32000	PUMP ASSY, OIL	1					
2	1	119660-32001	PUMP ASSY, OIL		1	1			
3	1	119660-32020	GASKET, PUMP	1	1	1			
4	1	26013-060202	BOLT, M6X 20	3					
5	1	26450-060202	BOLT, M6X 20		3	3			

OCD10-M39301

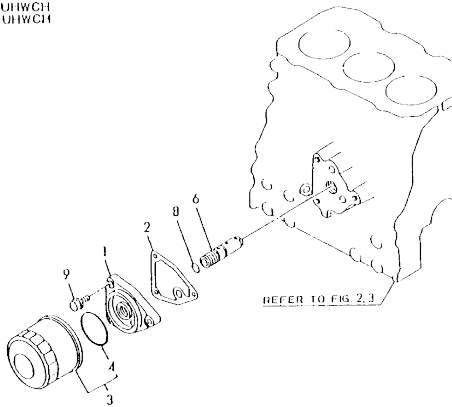
Fig.20. LUB.OIL STRAINER

019260-35100  
019600-35100



31N66L-UHWCH

31NA68L-UHWCH  
31NA72L-UHWCH



(A)=3TN66L-UHW (D)=  
(B)=3TN68L-UHW (E)=  
(C)=3TN72L-UHW (F)=

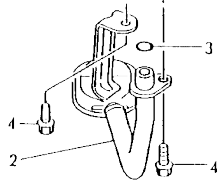
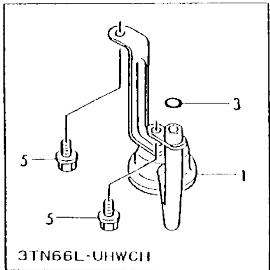
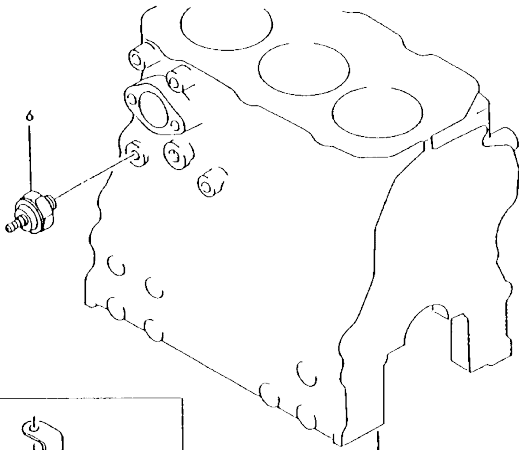
No.	Lev.	Parts No.	Description	Qty						
				(A)	(B)	(C)	(D)	(E)	(F)	
1	1	119660-35102	BRACKET, FILTER		1	1				
2	1	119660-35112	GASKET		1	1				
2-1	1	119660-35113	GASKET		1	1				N
			(B=1990.01) (C=1990.01)							
3	1	119660-35150	FILTER, LUB. OIL		1	1	1			
4	2	124450-35110	O-RING		1	1	1			
5	1	119225-35300	VALVE ASSY,OIL PRESS		1					
6	1	119660-35300	VALVE ASSY, CONTROL			1	1			
7	1	129150-35350	NUT		1	1	1			
8	1	24311-000160	O-RING, 1AP16.0			1	1			
9	1	26106-080202	BOLT, M8X 20 PLATED		3	3				



OCD10-M39301

Fig.21. LUB.OIL SUCTION PIPE

019260-35220  
 019600-35200  
 019600-39100

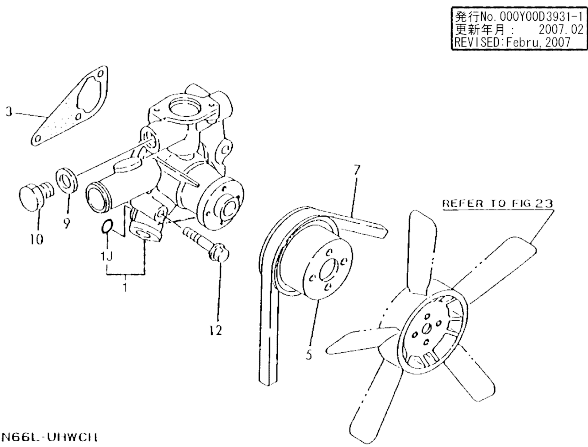


(A)=3TN66L-UHW  
 (B)=3TNA68L-UHW  
 (C)=3TNA72L-UHW  
 (D)=  
 (E)=  
 (F)=

No.	Lev.	Parts No.	Description	Q'ty					
				(A)	(B)	(C)	(D)	(E)	(F)
1	1	119260-35081	PIPE, OIL INLET	1					
2	1	119600-35091	PIPE ASSY, OIL INLET		1	1			
3	1	24311-000120	O-RING, 1AP12.0	1	1	1			
4	1	26106-060102	BOLT, M6X 10 PLATED			2	2		
5	1	26106-060122	BOLT, M6X 12 PLATED	2					
6	1	124160-39450	SWITCH, 0.5KG	1	1	1			

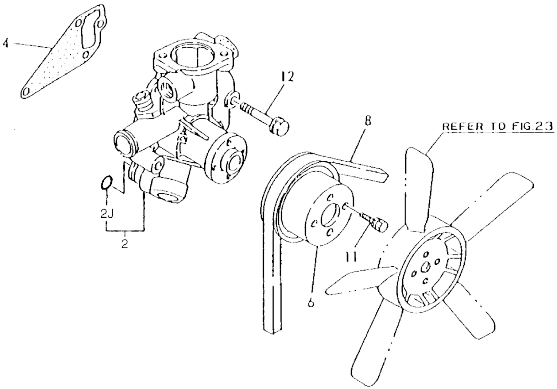
OCD10-M39301

Fig.22. COOLING WATER PUMP



3TN66L-UHWC11

3TNA66L-UHWC11  
3TNA72L-UHWC11

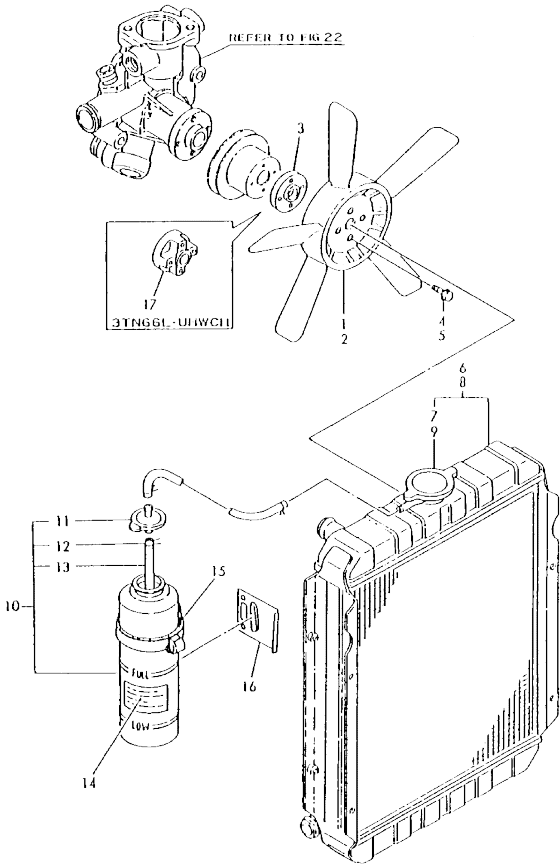


No.	Lev.	Parts No.	Description	Q'ty						I	R
				(A)	(B)	(C)	(D)	(E)	(F)		
1	1	119260-42000	PUMP ASSY, WATER	1							
1-1	1	119260-42001	PUMP ASSY, WATER	1							N
(A=1990.06)											
1J	2	119225-42320	O-RING	1							
2	1	119660-42003	PUMP ASSY, WATER		1	1					
2-1	1	119660-42004	PUMP ASSY, WATER		1	1					N
(B=1990.01) (C=1990.01)											
2J	2	119620-42320	O-RING		1	1					
3	1	119260-42020	GASKET, WATER PUMP	1							
4	1	119620-42020	GASKET, WATER PUMP		1	1					
5	1	119620-42350	V-PULLEY	1							
6	1	119660-42350	V-PULLEY		1	1					
7	1	104514-42780	V-BELT, HM33	1							
8	1	119620-42291	V-BELT, FM34.5		1	1					
8-1	1	119650-42291	V-BELT, 35		1	1					N
(B=E05505) (C=E15989)											
9	1	23414-160021	GASKET, 16X1.0	1							
10	1	23887-160002	PLUG, 16	1							
10-1	1	121450-42450	PLUG, M16	1							N
(A=1987.04)											
11	1	26014-060122	BOLT, M6X 12		4	4					Z
(B=E0000) (C=E0000)											
12	1	26106-080452	BOLT, M8X 45 PLATED	3	4	4					

OCD10-M39301

Fig.23. RADIATOR & FAN

013247-47300  
 013645-44400  
 013247-93100  
 013641-93100  
 013647-93110

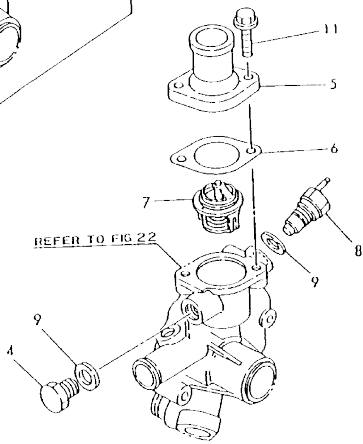
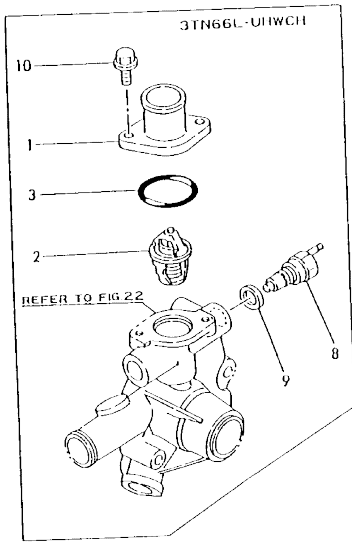


No.	Lev.	Parts No.	Description	Q'ty						I	R
				(A)	(B)	(C)	(D)	(E)	(F)		
1	1	121023-44740	FAN, COOLING								
2	1	124700-44740	FAN, COOLING 5X310					1	1		
3	1	124574-44761	SPACER, FAN					1	1		
4	1	26106-060352	BOLT, M6X 35 PLATED		4						
5	1	26106-060202	BOLT, M6X 20 PLATED				4	4			
6	1	119260-44500	RADIATOR		1						
7	2	123682-44210	CAP, RADIATOR		1						
8	1	171002-44502	RADIATOR				1	1			
9	2	123682-44210	CAP, RADIATOR				1	1			
10	1	121450-44510	TANK ASSY, SUB		1	1	1	1			
11	2	121450-44530	CAP		1	1	1				
12	2	124450-44560	RETAINER		1	1	1				
13	2	23065-070180	PIPE, 7X 180		1	1	1				
14	1	121470-44540	LABEL, SUB-TANK		1	1	1				
14-1	1	121470-44540	LABEL, SUB-TANK								Z
(C=EXXX)											
15	1	124450-44550	BAND		1	1	1				
16	1	121256-44600	BRACKET, SUB TANK		1	1	1				
17	1	171353-44760	SPACER, FAN		1						

OCD10-M39301

Fig.24. THERMOSTAT

019260-49200  
 019600-49200  
 019260-49600

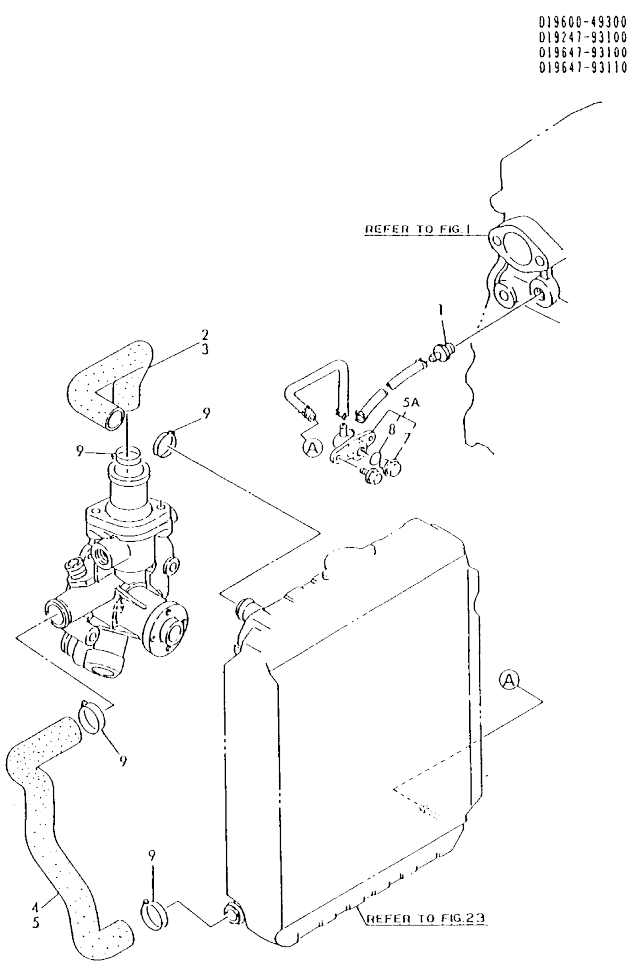


No.	Lev.	Parts No.	Description	Q'ty						I	R
				(A)	(B)	(C)	(D)	(E)	(F)		
1	1	119260-49530	COVER, THERMOSTAT	1							
2	1	119260-49800	THERMOSTAT, 71	1							
3	1	24321-000350	O-RING, 1AG35.0	1							
4	1	121450-42450	PLUG, M16		1	1					
5	1	129350-49530	COVER, THERMOSTAT		1	1					
6	1	129350-49540	GASKET		1	1					
6-1	1	129350-49541	GASKET		1	1					N
			(B=1990.01) (C=1990.01)								
7	1	129350-49800	THERMOSTAT, 71		1	1					
8	1	121250-44901	SWITCH, 110		1	1	1				
9	1	124465-44950	GASKET, 16		1	2	2				
10	1	26106-060182	BOLT, M6X 18 PLATED		2						
11	1	26106-080202	BOLT, M8X 20 PLATED		2	2					

N:Old  $\frac{100}{100}$  New. Q:Old  $\frac{100}{100}$  New. R:Old  $\frac{100}{100}$  New. S:Old  $\frac{100}{100}$  New. W:Add. Z:Discontinued. F:Interchangeable by set. K:Q'ty Change  
 Copyright (C) YANMAR CO., LTD. All Rights Reserved.

OCD10-M39301

Fig.25. COOLING WATER LINE



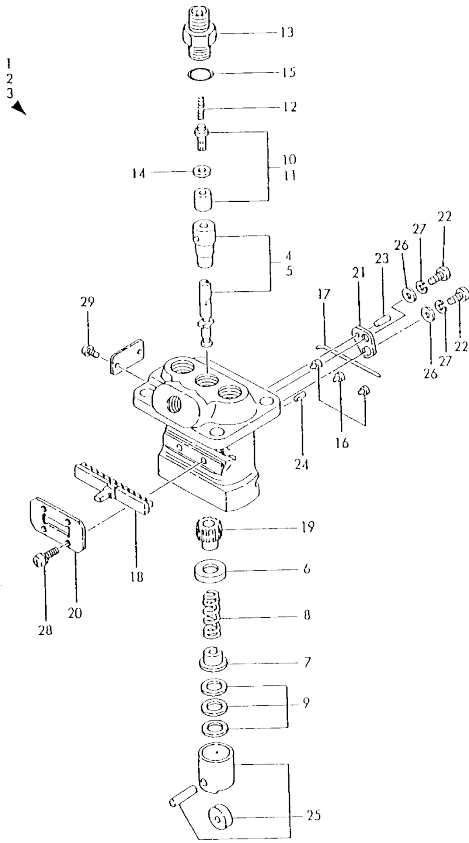
No.	Lev.	Parts No.	Description	Q'ty						I	R
				(A)	(B)	(C)	(D)	(E)	(F)		
1	1	121550-49111	JOINT, PT1/4	1	1	1					
2	1	119288-49010	PIPE, WATER	1							
3	1	119688-49010	PIPE, WATER		1	1					
4	1	119280-49020	PIPE, WATER	1							
5	1	119645-49020	PIPE, WATER		1	1					
5A	1	121450-49110	COCK ASSY, 3-WAY	1	1	1					W
		(A=*1988,06)	(B=*1988,06)	(C=E21755)							
7	2	121250-49121	PLUG, DRAIN	1	1	1					
8	2	24311-000160	O-RING, 1AP16.0	1	1	1					
9	1	23010-038000	CLAMP, 38	4	4	4					

N:Old  $\frac{New}{Old}$  New. Q:Old  $\frac{New}{Old}$  New. R:Old  $\frac{New}{Old}$  New. S:Old  $\frac{New}{Old}$  New. W:Add. Z:Discontinued. F:Interchangeable by set. K:Q'ty Change  
 Copyright (C) YANMAR CO., LTD. All Rights Reserved.

OCD10-M39301

Fig.26. FUEL INJECTION PUMP

019225-51100  
 019621-51100  
 019660-51100



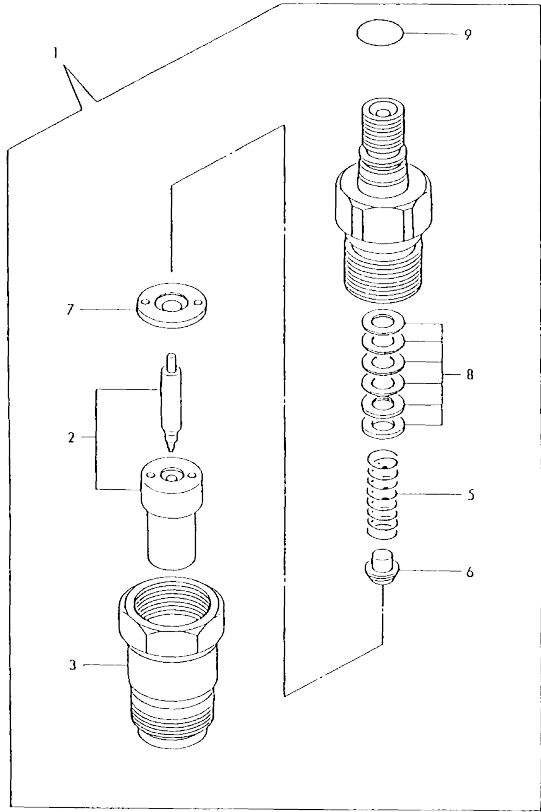
No.	Lev.	Parts No.	Description	Q'ty						I	R
				(A)	(B)	(C)	(D)	(E)	(F)		
1	1	719225-51100	PUMP ASSY, INJECTION	1							
2	1	719660-51100	PUMP ASSY, INJECTION		1						
3	1	719621-51100	PUMP ASSY, INJECTION			1					
4	2	119225-51100	PLUNGER ASSY		3						
5	2	119620-51101	PLUNGER ASSY			3	3				
6	2	119620-51170	RETAINER, SPRING A			3	3	3			
7	2	119620-51180	RETAINER, SPRING B			3	3	3			
8	2	119620-51190	SPRING, PLUNGER			3	3	3			
9	2	119620-51250	SHIM SET			3	3	3			
10	2	119225-51300	VALVE ASSY, DELIVERY		3						
11	2	119620-51300	VALVE ASSY, DELIVERY			3	3				
12	2	105546-51330	SPRING, DELIVERY			3	3	3			
13	2	119620-51340	HOLDER, DELIVERY			3	3	3			
14	2	119620-51350	GASKET			3	3	3			
15	2	119620-51370	O-RING			3	3	3			
16	2	119620-51450	PIECE			3	3	3			
17	2	119620-51461	PIN			1	1	1			
18	2	119660-51500	RACK, CONTROL			1	1	1			
19	2	119620-51510	PINION			3	3	3			
20	2	119660-51530	RETAINER, RACK			1	1	1			
21	2	119620-51650	PLATE			2	2	2			
22	2	119620-51660	SCREW			2	2	2			
23	2	119620-51670	PIN			2	2	2			
24	2	119620-51680	PIN			1	1	1			
25	2	119620-51700	TAPPET ASSY			3	3	3			
26	2	22137-040000	WASHER, 4			2	2	2			
27	2	22217-040000	WASHER, SPRING 4			2	2	2			
28	2	26022-040082	SCREW, M4X 8			4	4	4			
29	2	26587-040102	SCREW, M4X10			2	2	2			

N:Old  $\frac{100}{100}$  New, Q:Old  $\frac{100}{100}$  New, R:Old  $\frac{100}{100}$  New, S:Old  $\frac{100}{100}$  New, W:Add, Z:Discontinued, F:Interchangeable by set, K:Q'ty Change  
 Copyright (C) YANMAR CO., LTD. All Rights Reserved.

OCD10-M39301

Fig.27. FUEL INJECTION VALVE

019620-53100

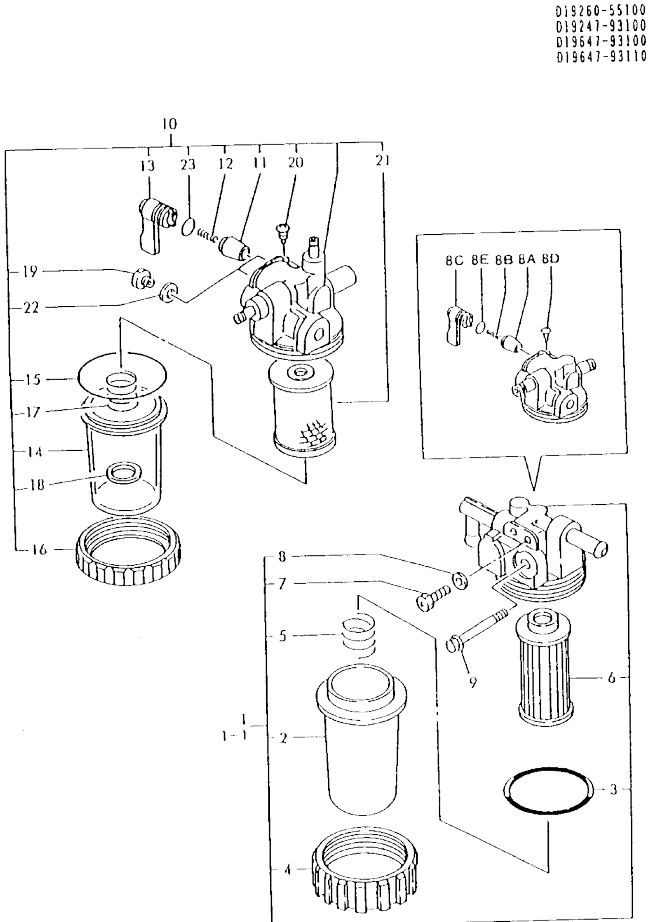


(A)=3TN66L-UHW (D)=  
 (B)=3TNA68L-UHW (E)=  
 (C)=3TNA72L-UHW (F)=

No.	Lev.	Parts No.	Description	Q'ty					
				(A)	(B)	(C)	(D)	(E)	(F)
1	1	719620-53100	VALVE ASSY,INJECTION	3	3	3			
2	2	119620-53000	VALVE ASSY,INJECTION	3	3	3			
3	2	119620-53080	NUT, NOZZLE	3	3	3			
5	2	119620-53120	SPRING, NOZZLE	3	3	3			
6	2	114250-53130	SEAT, SPRING	3	3	3			
7	2	119620-53140	SPACER, VALVE STOP	3	3	3			
8	2	114250-53400	SHIM SET	3	3	3			
9	2	129155-61830	O-RING, S10	3	3	3			

OCD10-M39301

Fig.28. FUEL STRAINER



019260-55100  
 019247-93100  
 019647-93100  
 019647-93110

No.	Lev.	Parts No.	Description	Qty						I	R
				(A)	(B)	(C)	(D)	(E)	(F)		
1	1	119225-55600	FILTER ASSY, FUEL								
1-1	1	171059-55600	FILTER ASSY, FUEL (C=E18586)	1	1	1					N
2	2	121254-55510	COVER	1	1	1					
3	2	102103-55520	O-RING	1	1	1					
4	2	110250-55610	RING, RETAINING	1	1	1					
5	2	121250-55620	SPRING	1	1	1					
6	2	124550-55700	FILTER, FUEL L=90	1	1	1					
7	2	101720-55750	PLUG, 6	2	2	2					
8	2	23418-060000	GASKET, 6X1.0	2	2	2					
8A	2	104200-55321	VALVE, TAPER (C=E18586)			1					W
8B	2	104200-55330	SPRING, VALVE (C=E18586)			1					W
8C	2	104200-55341	HANDLE (C=E18586)			1					W
8D	2	104200-55750	SCREW, M4 (C=E18586)			1					W
8E	2	24311-240100	O-RING, 1AP10A (C=E18586)			1					W
9	1	26106-080652	BOLT, M8X 65 PLATED	1	1	1					
9-1	1	26014-080702	BOLT, M8X 70 (A=1988.06) (B=1988.06)	1	1						N
10	1	121257-55700	SEPARATOR, WATER	1	1	1					
11	2	104200-55321	VALVE, TAPER	1	1	1					
12	2	104200-55330	SPRING, VALVE	1	1	1					
13	2	104200-55341	HANDLE	1	1	1					
14	2	121254-55510	COVER	1	1	1					
15	2	102103-55520	O-RING	1	1	1					
16	2	110250-55610	RING, RETAINING	1	1	1					
17	2	121257-55720	SPRING	1	1	1					
18	2	121257-57731	FLOAT	1	1	1					M
18-1	2	121257-55731	FLOAT	1	1	1					
19	2	101720-55750	PLUG, 6	2	2	2					
20	2	104200-55750	SCREW, M4	1	1	1					
21	2	171081-55910	SCREEN	1	1	1					
22	2	23418-060000	GASKET, 6X1.0	2	2	2					
23	2	24311-240100	O-RING, 1AP10A	1	1	1					

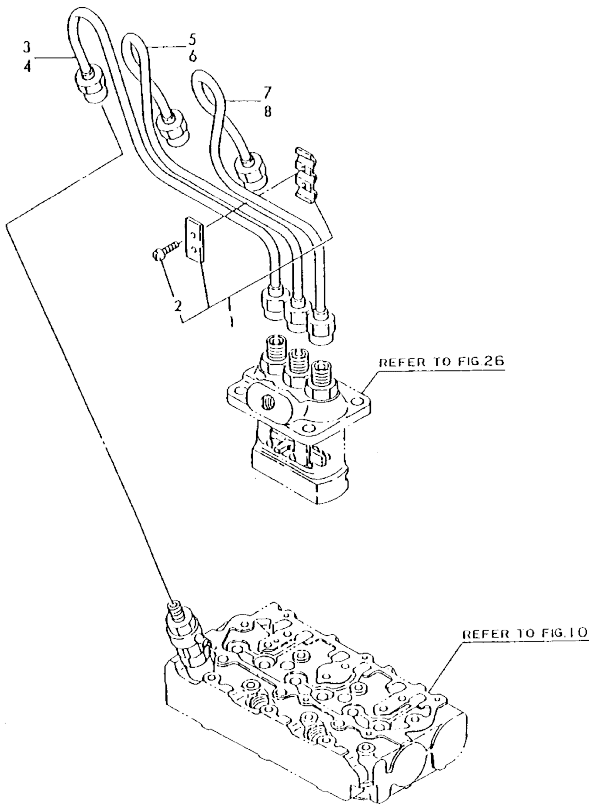
N:Old  $\frac{100}{100}$  New, Q:Old  $\frac{100}{100}$  New, R:Old  $\frac{100}{100}$  New, S:Old  $\frac{100}{100}$  New, W:Add, Z:Discontinued, F:Interchangeable by set, K:Qty Change  
 Copyright (C) YANMAR CO., LTD. All Rights Reserved.



OCD10-M39301

Fig.29. FUEL INJECTION LINE

019275-59100  
013670-59100



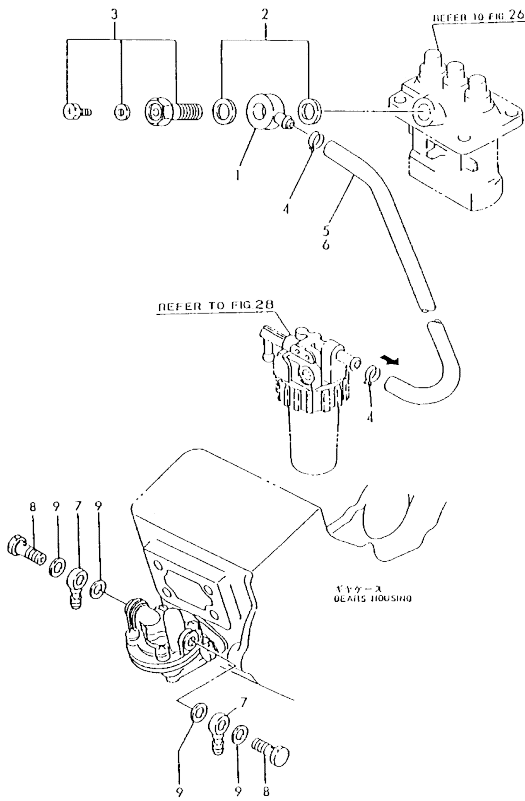
(A)=3TN66L-UHW  
(B)=3TN66L-UHW  
(C)=3TN66L-UHW  
(D)=  
(E)=  
(F)=

No.	Lev.	Parts No.	Description	Qty						I	R
				(A)	(B)	(C)	(D)	(E)	(F)		
1	1	129150-59120	RETAINER, PIPE	1	1	1					
2	2	129150-59130	BOLT, M4X12	2	2	2					
3	1	119260-59810	PIPE ASSY, INJECTION	1							
3-1	1	119225-59810	PIPE ASSY, INJECTION	1							N
		(A=1987.09)									
4	1	119620-59810	PIPE ASSY, INJECTION		1	1					
4-1	1	119620-59811	PIPE ASSY, INJECTION		1	1					N
		(B=E07233) (C=E15989)									
5	1	119260-59820	PIPE ASSY, INJECTION	1							
6	1	119620-59820	PIPE ASSY, INJECTION		1	1					
6-1	1	119620-59821	PIPE ASSY, INJECTION		1	1					N
		(B=E07233) (C=E15989)									
7	1	119260-59830	PIPE ASSY, INJECTION	1							
8	1	119620-59830	PIPE ASSY, INJECTION		1	1					
8-1	1	119620-59831	PIPE ASSY, INJECTION		1	1					N
		(B=E07233) (C=E15989)									

OCD10-M39301

Fig.30. FUEL LINE

013249-59200  
 019640-59200  
 019649-59200  
 019647-93110



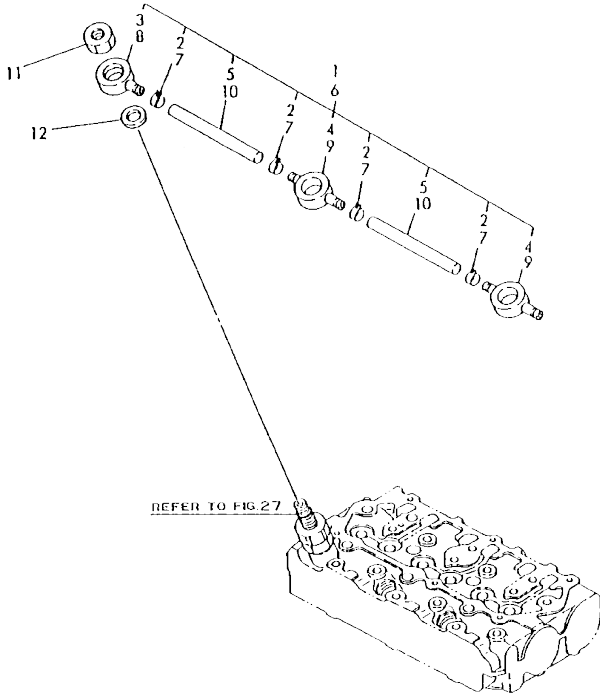
No.	Lev.	Parts No.	Description	Q'ty						I	R
				(A)	(B)	(C)	(D)	(E)	(F)		
1	1	129150-59020	JOINT, PIPE	1	1	1					
1-1	1	101304-59020	JOINT, PIPE 12	1	1	1					R
		(A=1987.06) (B=E07233) (C=E15989)									
2	1	104200-59170	GASKET, 12	2	2	2					
3	1	103854-59191	BOLT ASSY, JOINT M12	1	1	1					
4	1	124766-59050	CLIP, HOSE 12	2	2	2					
4-1	1	124066-59100	CLIP, HOSE 8			2					S
		(C=E18586)									
5	1	121250-59080	PIPE, FUEL D12X180		1	1					
5-1	1	105225-59100	PIPE, FUEL RETURN			1					S
		(C=E18586)									
6	1	124767-59080	PIPE, FUEL		1						
7	1	104264-59030	JOINT, PIPE 8			2					W
		(C=E18586)									
8	1	105582-59150	BOLT, PIPE JOINT			2					W
		(C=E18586)									
9	1	23414-080012	GASKET, 8X1.0			4					W
		(C=E18586)									

N:Old  $\frac{100}{100}$  New, Q:Old  $\frac{100}{100}$  New, R:Old  $\frac{100}{100}$  New, S:Old  $\frac{100}{100}$  New, W:Add, Z:Discontinued, F:Interchangeable by set, K:Q'ty Change  
 Copyright (C) YANMAR CO., LTD. All Rights Reserved.

OCD10-M39301

Fig.31. FUEL RETURN LINE

019260-59300  
019620-59300

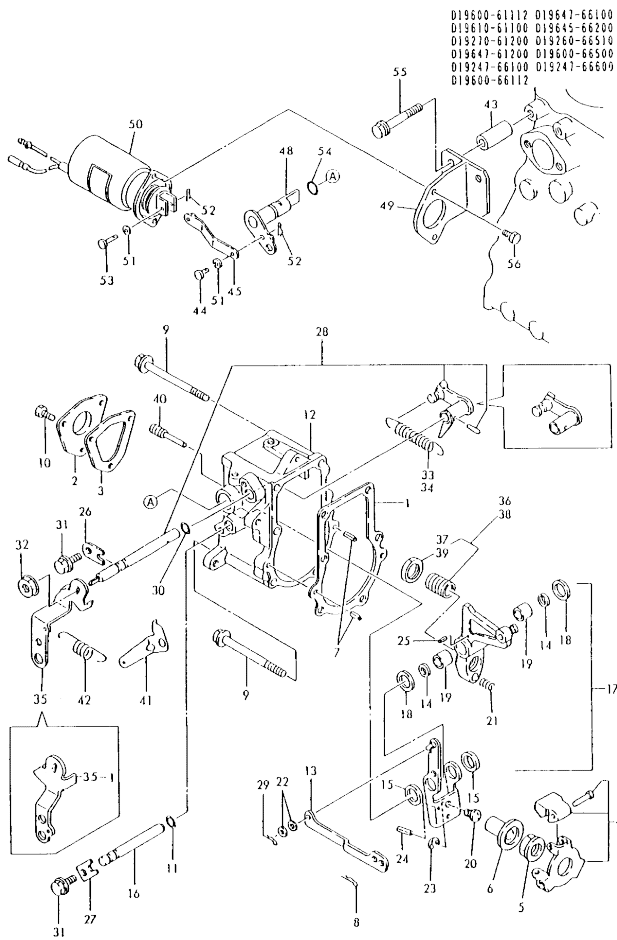


(A)=3TN66L-UHW (D)=  
(B)=3TNA68L-UHW (E)=  
(C)=3TNA72L-UHW (F)=

No.	Lev.	Parts No.	Description	Q'ty						I	R
				(A)	(B)	(C)	(D)	(E)	(F)		
1	1	119260-59540	PIPE ASSY, RETURN	1							
2	2	124066-59100	CLIP, HOSE 8	4							
3	2	119260-59520	JOINT	1							
4	2	119260-59530	JOINT	2							
5	2	119260-59550	PIPE, FUEL	2							
6	1	119620-59540	PIPE ASSY, FUEL		1	1					
7	2	124066-59100	CLIP, HOSE 8	4	4						
8	2	129155-59520	JOINT	1	1						
8-1	2	119260-59520	JOINT	1	1						N
		(B=E05255) (C=E15989)									
9	2	129155-59530	JOINT	2	2						
9-1	2	119260-59530	JOINT	2	2						N
		(B=E05255) (C=E15989)									
10	2	105025-59550	PIPE, FUEL RETURN	2	2						
11	1	119620-59700	NUT, NOZZLE	3	3	3					
12	1	23414-140000	GASKET, 14X1.0	3	3	3					

N:Old  $\frac{New}{Old}$  New. Q:Old  $\frac{New}{Old}$  New. R:Old  $\frac{New}{Old}$  New. S:Old  $\frac{New}{Old}$  New. W:Add. Z:Discontinued. F:Interchangeable by set. K:Qty Change  
Copyright (C) YANMAR CO., LTD. All Rights Reserved.

Fig.32. GOVERNOR



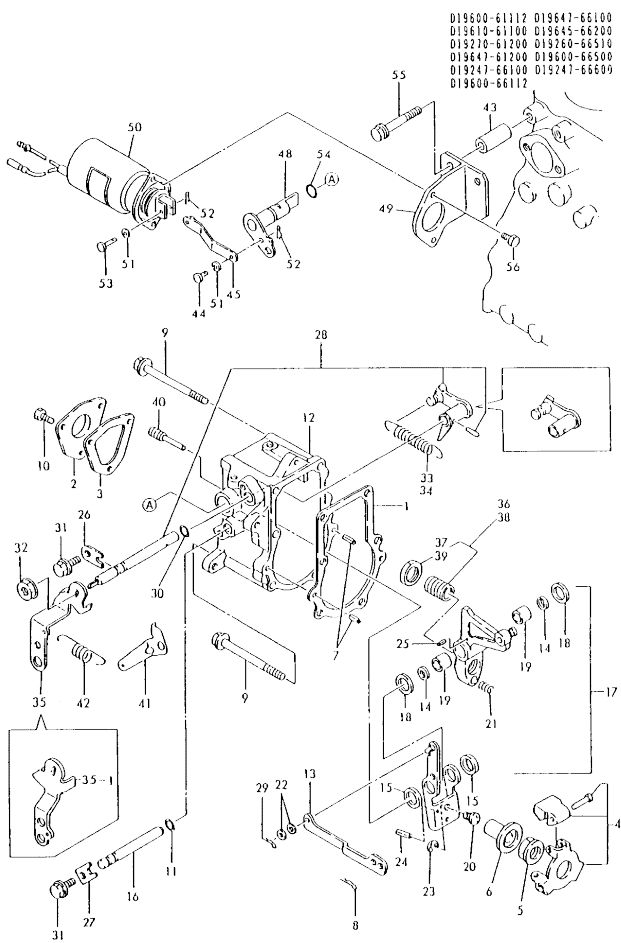
D19600-61112 D19647-66100  
 D19610-61100 D19645-66200  
 D19270-61200 D19260-66510  
 D19647-61200 D19600-66500  
 D19247-66100 D19247-66500  
 D19600-66112

No.	Lev.	Parts No.	Description	Q'ty						I	R
				(A)	(B)	(C)	(D)	(E)	(F)		
1	1	119660-61051	GASKET	1	1	1					
1-1	1	119660-61052	GASKET	1	1	1					N
		(A=1990.01) (B=1990.01) (C=1990.01)									
2	1	119660-61060	COVER, GOVERNOR CASE	1	1	1					
3	1	119660-61070	GASKET	1	1	1					
3-1	1	119660-61071	GASKET	1	1	1					N
		(A=1990.01) (B=1990.01) (C=1990.01)									
4	1	119600-61200	WEIGHT ASSY, GOVERNOR	1	1	1					
5	1	119660-61300	NUT	1	1	1					
6	1	119660-61341	SLEEVE	1	1	1					
7	1	22351-040010	PIN, SPRING 4.0X10	2	2	2					
8	1	22360-060000	PIN, SNAP 6	1	1	1					
9	1	26106-060702	BOLT, M6X 70 PLATED	6	6	6					
10	1	26116-050102	BOLT, M5X 10 PLATED	3	3	3					
11	1	129155-51280	O-RING, S6	1	1	1					
12	1	119660-61013	CASE, GOVERNOR	1	1	1					
13	1	119285-61120	LINK, NO MARK	1	1	1					
13-1	1	119660-61121	LINK, NO MARK			1					N
		(C=EXXX)									
14	1	119660-61460	SHIM SET	1	1	1					
15	1	129155-61480	SPACER ASSY	2	2	2					
16	1	119660-61491	SHAFT	1	1	1					
17	1	119600-61500	LEVER ASSY, GOVERNOR	1	1	1					
18	2	174307-51700	SHIM SET	2	2	2					
19	2	129155-61530	BUSH	2	2	2					
20	2	119600-61540	SHIFTER	1	1	1					
21	2	119600-61650	SPRING, STARTING	1	1	1					
22	2	22117-040000	WASHER, 4	1	1	1					
22-1	2	22117-040000	WASHER, 4	2	2	2					K
		(A=1987.09) (B=E07233) (C=E15989)									
23	2	22272-000040	RING, E- 4	1	1	1					
24	2	22351-020004	PIN, SPRING 2.0X 4	1	1	1					
25	2	22351-030014	PIN, SPRING 3.0X14	1	1	1					
26	1	119600-61900	RETAINER, SHAFT	1	1	1					
27	1	119660-61901	RETAINER, SHAFT	1	1	1					
28	1	119285-66090	SHAFT ASSY	1	1	1					
28-1	1	119621-66091	SHAFT ASSY			1					N
		(C=EXXX)									
29	1	22360-040000	PIN, SNAP 4	1	1	1					
30	1	24341-000070	O-RING, 1AS7.0	1	1	1					
31	1	26106-060102	BOLT, M6X 10 PLATED	2	2	2					
32	1	194990-22050	NUT, M8	1	1	1					
33	1	119260-66010	SPRING, REGULATOR	1							
34	1	119600-66020	SPRING, REGULATOR		1	1					
35	1	119640-66051	HANDLE, REGULATOR	1	1	1					
35-1	1	119621-66051	LEVER, REGULATOR			1					N
		(C=EXXX)									
36	1	119260-66720	ANGLEICH ASSY	1							
37	2	129155-61590	NUT, LOCK	1							
38	1	119600-66700	ANGLEICH ASSY		1	1					
39	2	129155-61590	NUT, LOCK		1	1					

N:Old  $\frac{New}{Old}$ ; New. Q:Old  $\frac{New}{Old}$ ; New. R:Old  $\frac{New}{Old}$ ; New. S:Old  $\frac{New}{Old}$ ; New. W:Add. Z:Discontinued. F:Interchangeable by set. K:Q'ty Change  
 ++ CONTINUE ++ Copyright (C) YANMAR CO., LTD. All Rights Reserved.

OCD10-M39301

Fig.32. GOVERNOR



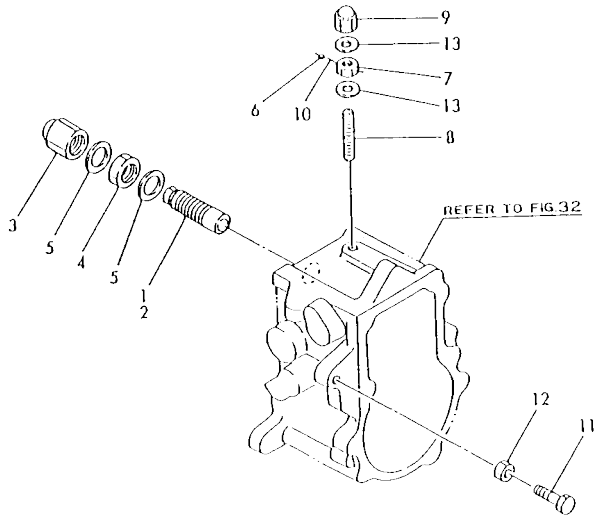
No.	Lev.	Parts No.	Description	Q'ty						I	R
				(A)	(B)	(C)	(D)	(E)	(F)		
40	1	124250-03640	SCREW	1	1	1					
41	1	119656-66910	HOOK	1	1	1					Z
			(C=EXXX)								
42	1	104583-67300	SPRING, RETURN	1	1	1					Z
			(C=EXXX)								
42-1	1	160110-66011	SPRING, REGULATOR	1	1						R
			(A=1987.11) (B=E07233)								
43	1	123682-39460	SUPPORT			2					W
			(C=EXXX)								
44	1	171002-65121	PIN			1					W
			(C=EXXX)								
45	1	119645-66510	LINK ASSY			1					W
			(C=EXXX)								
48	1	119600-66521	HANDLE, STOP			1					W
			(C=EXXX)								
49	1	119645-66530	BRACKET, SOLENOID			1					W
			(C=EXXX)								
50	1	129410-77951	SOLENOID			1					W
			(C=EXXX)								
51	1	22117-050000	WASHER, 5			2					W
			(C=EXXX)								
52	1	22360-050000	SNAP PIN 5			2					W
			(C=EXXX)								
53	1	22487-050160	PIN, H 5X 16			1					W
			(C=EXXX)								
54	1	24311-240100	O-RING, 1AP10A			1					W
			(C=EXXX)								
55	1	26106-080502	BOLT, M8X 50 PLATED			2					W
			(C=EXXX)								
56	1	26116-060122	BOLT, M6X 12 PLATED			2					W
			(C=EXXX)								

N:Old  $\frac{100}{100}$  New, Q:Old  $\frac{100}{100}$  New, R:Old  $\frac{100}{100}$  New, S:Old  $\frac{100}{100}$  New, W:Add, Z:Discontinued, F:Interchangeable by set, K:Q'ty Change  
 Copyright (C) YANMAR CO., LTD. All Rights Reserved.

OCD10-M39301

Fig.33. CONTROL SYSTEM

019260-66320  
 019600-66310  
 019260-66400

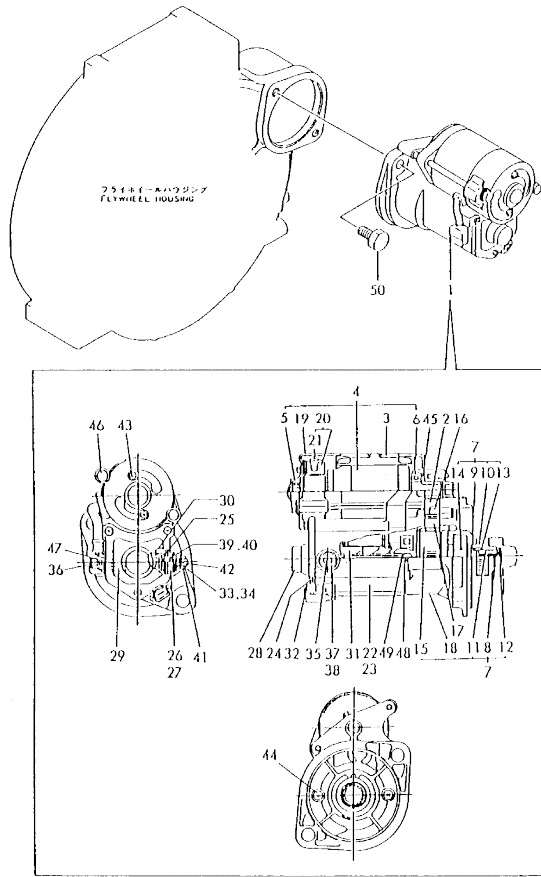


(A)=3TN66L-UHW (D)=  
 (B)=3TNA68L-UHW (E)=  
 (C)=3TNA72L-UHW (F)=

No.	Lev.	Parts No.	Description	Q'ty					
				(A)	(B)	(C)	(D)	(E)	(F)
1	1	119260-66540	LIMITER ASSY, FUEL	1					
2	1	119600-66530	LIMITER ASSY, FUEL		1	1			
3	1	129100-61930	NUT, CAP	1	1	1			
4	1	124772-66750	NUT, LOCK M12	1	1	1			
5	1	43400-500450	SEAL WASHER 12	2	2	2			
6	1	135210-61090	LEAD	1	1	1			
7	1	124550-66370	NUT, M6	1	1	1			
8	1	121575-66830	SCREW	1	1	1			
9	1	119600-66840	NUT, CAP	1	1	1			
10	1	22451-060000	WIRE, 0.6	1	1	1			
11	1	26116-060304	BOLT, M6X 30 PLATED	1	1	1			
12	1	26756-060002	NUT, LOCK M6	1	1	1			
13	1	43400-500400	SEAL WASHER 6	2	2	2			

Fig.34. STARTING MOTOR(COMPONENT PARTS

019640-17100



(A)=3TN66L-UHW (D)=  
(B)=3TNA68L-UHW (E)=  
(C)=3TNA72L-UHW (F)=

No.	Lev.	Parts No.	Description	Qty						I	R
				(A)	(B)	(C)	(D)	(E)	(F)		
1	1	119620-77011	STARTER	1	1	1					
2	2	X0280630011	RETAINER	1	1	1					
3	2	X0281003751	YOKE ASSY	1	1	1					
4	2	X0282001531	ARMATURE ASSY	1	1	1					
5	3	X9491001360	BEARING	1	1	1					
6	3	X9491001860	BALL BEARING	1	1	1					
7	2	X0283005050	CLUTCH, STARTER	1	1	1					
8	3	X0280210230	NUT	1	1	1					
9	3	X0283270140	RETAINER	1	1	1					
10	3	X0283715030	PINION, STARTER	1	1	1					
11	3	X0283810040	SHAFT	1	1	1					
12	3	X9490721080	RING	1	1	1					
13	3	X9491703371	SPRING, COIL	1	1	1					
14	3	X9491704260	SPRING	1	1	1					
15	3	121120-77930	CASE ASSY, STARTER	1	1	1					
16	2	X0283060061	ROLLER	5	5	5					
17	2	X0283711420	PINION	1	1	1					
18	2	X0284004910	HOUSING, STARTER	1	1	1					
19	2	X0285040631	FRAME ASSY	1	1	1					
20	2	X0285100460	HOLDER ASSY, BRUSH	1	1	1					
21	3	X9491730461	SPRING	4	4	4					
22	2	X0534006460	SWITCH, MAGNETIC	1	1	1					
23	3	X0534040320	GASKET	1	1	1					
24	3	X0534490120	BUSH	1	1	1					
25	3	X0534490120	BUSH	1	1	1					
26	3	X0534490230	BUSH	1	1	1					
27	3	X0534490230	BUSH	1	1	1					
28	3	X0535050620	COVER	1	1	1					
29	3	X0535130241	PLATE (B)	1	1	1					
30	3	X0535130320	PLATE (A)	1	1	1					
31	3	X0536600401	PLUNGER	1	1	1					
32	3	X9151005141	BOLT W/WASHER	3	3	3					
33	3	X9490170900	WASHER	1	1	1					
34	3	X9490170900	WASHER	1	1	1					
35	3	X9490441303	BOLT	1	1	1					
36	3	X9490441312	BOLT	1	1	1					
37	3	X9490502820	NUT	1	1	1					
38	3	X9490502820	NUT	1	1	1					
39	3	X9491402100	O-RING	1	1	1					
40	3	X9491402100	O-RING	1	1	1					
41	2	X9019008651	NUT	1	1	1					
42	2	X9025808001	WASHER	1	1	1					
43	2	X9490071810	SCREW W/WASHER	2	2	2					
44	2	X9490071970	SCREW W/WASHER	2	2	2					
45	2	X9490200710	WASHER	1	1	1					Z
		(A)=EXXX (B)=EXXX (C)=EXXX									
46	2	X9490471500	BOLT W/WASHER	2	2	2					
46-1	2	X9490423330	BOLT W/WASHER	2	2	2					N
		(A=1988.02) (B=1988.02) (C=E18586)									
47	2	X9490561370	NUT	1	1	1					
48	2	X9491200240	BALL	1	1	1					

N:Old  $\frac{New}{Old}$  New, Q:Old  $\frac{New}{Old}$  New, R:Old  $\frac{New}{Old}$  New, S:Old  $\frac{New}{Old}$  New, W:Add, Z:Discontinued, F:Interchangeable by set, K:Qty Change  
 ++ CONTINUE ++ Copyright (C) YANMAR CO., LTD. All Rights Reserved.

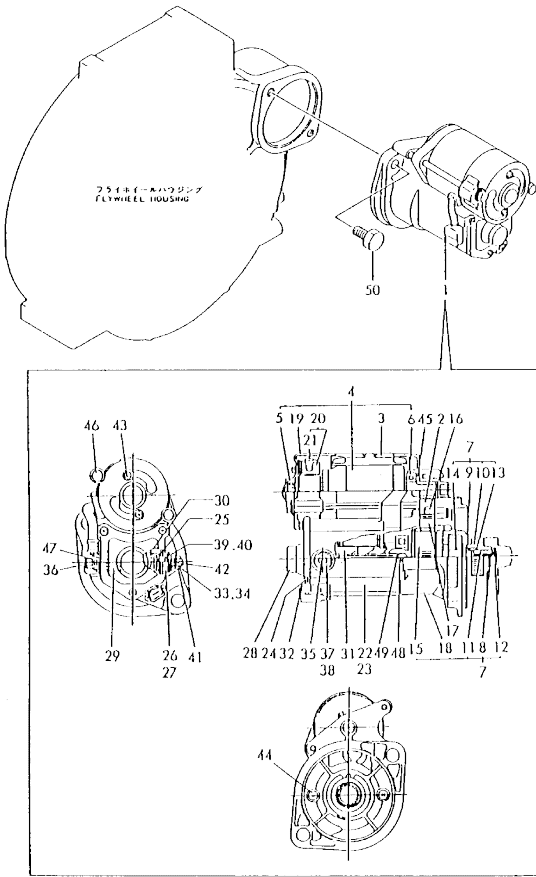
OCD10-M39301

Fig.34. STARTING MOTOR(COMPONENT PARTS)

019640-11100

(A)=3TN66L-UHW (D)=  
 (B)=3TNA68L-UHW (E)=  
 (C)=3TNA72L-UHW (F)=

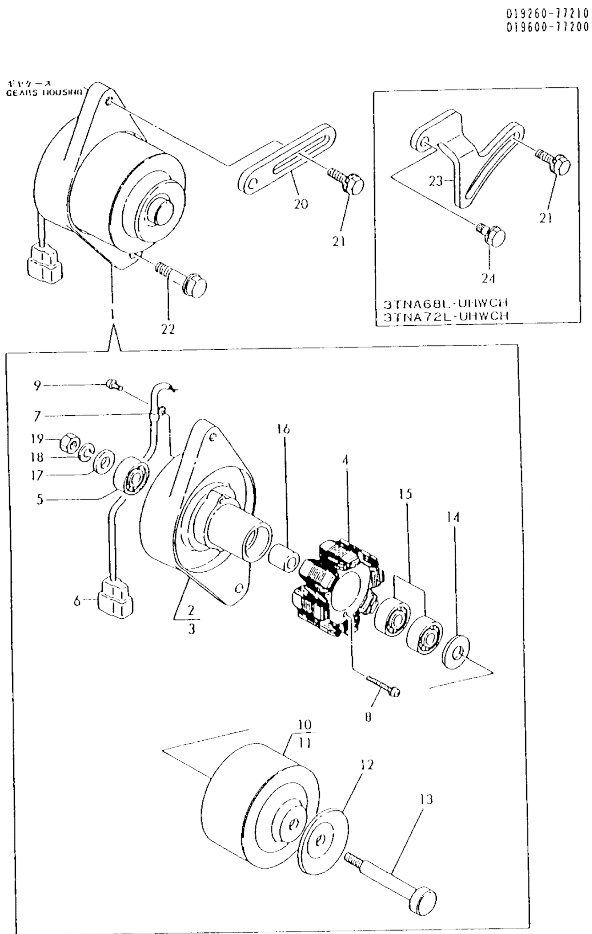
No.	Lev.	Parts No.	Description	Q'ty					
				(A)	(B)	(C)	(D)	(E)	(F)
49	2	X9491703380	SPRING	1	1	1			
50	1	26116-120252	BOLT, M12X 25 PLATED	2	2	2			



N:Old  $\frac{100}{100}$  New, Q:Old  $\frac{100}{100}$  New, R:Old  $\frac{100}{100}$  New, S:Old  $\frac{100}{100}$  New, W:Add, Z:Discontinued, F:Interchangeable by set, K:Q'ty Change  
 Copyright (C) YANMAR CO., LTD. All Rights Reserved.



Fig.35. GENERATOR(COMPONENT PARTS)

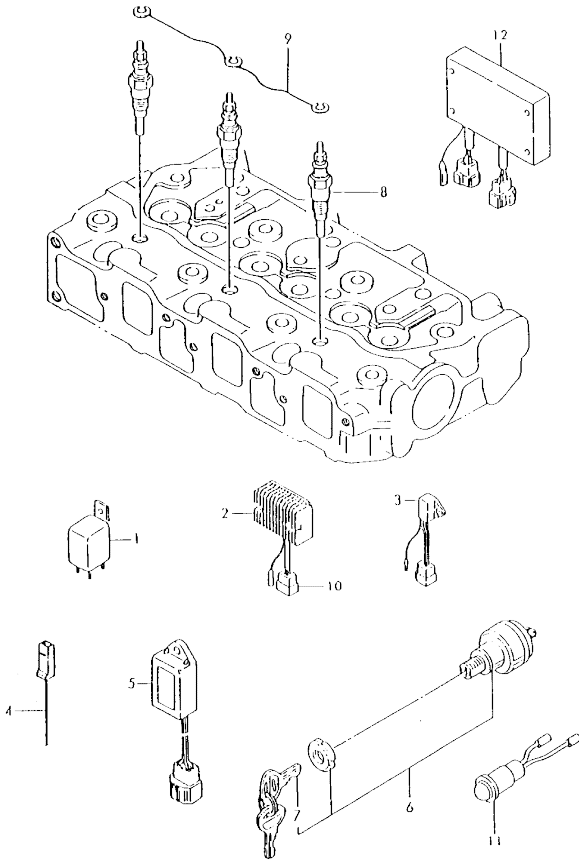


No.	Lev.	Parts No.	Description	Qty						I	R
				(A)	(B)	(C)	(D)	(E)	(F)		
1	1	171301-77201	DYNAMO ASSY, 15A	1	1	1					
2	2	XM08137	PLATE ASSY	1	1	1					
3	3	XM08138	PLATE	1	1	1					
4	3	XM08180	STATOR ASSY	1	1	1					
5	3	XM27436	BALL BEARING	1	1	1					
6	3	XM17878	COUPLER	1	1	1					
7	3	XM36410	CLAMP	1	1	1					
8	3	26022-040252	SCREW, M4X25	2	2	2					
9	3	XYSPS4008	SCREW	1	1	1					
10	2	XM82184	FLYWHEEL ASSY	1	1	1					
11	3	XM82110	FLYWHEEL	1	1	1					
12	3	XM72174	PULLEY	1	1	1					
13	3	XM72664	SHAFT	1	1	1					
14	3	XM37336	WASHER	1	1	1					
15	3	XM27436	BALL BEARING	2	2	2					
16	2	106383-44720	SPACER	1	1	1					
17	2	106383-44730	WASHER	1	1	1					
18	2	22212-100000	WASHER 10,SPRING	1	1	1					
19	2	26716-100002	NUT, M10	1	1	1					
20	1	121450-77330	ADJUSTER	1							
21	1	26014-080252	BOLT, M8X 25	1	1	1					
22	1	26106-100402	BOLT, M10X 40 PLATED	1	1	1					
23	1	119600-77330	ADJUSTER	1	1	1					
24	1	26106-080182	BOLT, M8X 18 PLATED	1	1	1					

OCD10-M39301

Fig.36. ELECTRIC PARTS

019600-71300  
 019247-93100  
 019647-93100  
 019647-93110



(A)=3TN66L-UHW (D)=  
 (B)=3TNA68L-UHW (E)=  
 (C)=3TNA72L-UHW (F)=

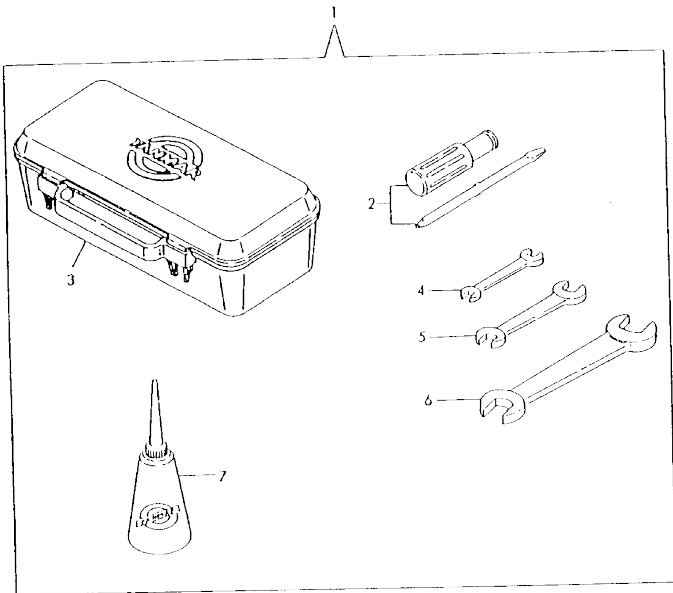
No.	Lev.	Parts No.	Description	Q'ty						I	R
				(A)	(B)	(C)	(D)	(E)	(F)		
1	1	121522-77101	RELAY, SAFETY	1	1	1					
2	1	171301-77700	LIMITER, CURRENT	1	1	1					
2-1	1	119660-77710	LIMITER, CURRENT 15A			1					N
			(C=E18586)								
3	1	121522-77721	INDICATOR	1	1	1					
3-1	1	121522-77721	INDICATOR			1					Z
			(C=EXXX)								
4	1	119643-77900	CONNECTOR, STARTER	1	1	1					
5	1	128300-77920	TIMER	1	1	1					
6	1	121400-91251	SWITCH, STARTER	1	1	1					
7	2	121400-91271	KEY, SWITCH	2	2	2					
8	1	129795-77800	PLUG, GLOW	3	3	3					
9	1	119620-77820	CONNECTOR, GLOW PLUG	1	1	1					
10	1	119865-77720	CONNECTOR			1					W
			(C=E18586)								
11	1	124732-77720	LAMP, CHARGING			1					W
			(C=E18586)								
12	1	171440-77800	RELAY, EMERGENCY			1					W
			(C=E18586)								
12-1	1	171440-77801	RELAY, EMERGENCY			1					R
			(C=1990.06)								

N:Old  $\frac{New}{Old}$  New, Q:Old  $\frac{New}{Old}$  New, R:Old  $\frac{New}{Old}$  New, S:Old  $\frac{New}{Old}$  New, W:Add, Z:Discontinued, F:Interchangeable by set, K:Q'ty Change  
 Copyright (C) YANMAR CO., LTD. All Rights Reserved.

OCD10-M39301

Fig.37. TOOLS

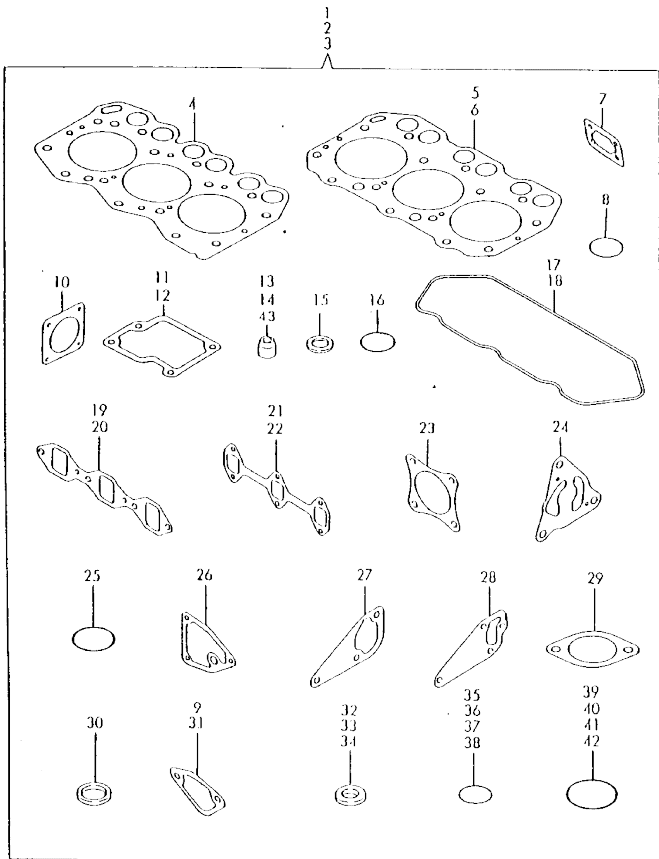
019241-93100  
 019641-93100  
 019647-93110



(A)=3TN66L-UHW (D)=  
 (B)=3TNA68L-UHW (E)=  
 (C)=3TNA72L-UHW (F)=

No.	Lev.	Parts No.	Description	Q'ty						I	R
				(A)	(B)	(C)	(D)	(E)	(F)		
1	1	171001-93100	BOX, TOOL	1	1	1					
2	2	104200-92350	DRIVER, SCREW	1	1	1					
3	2	104200-92600	BOX, TOOL	1	1	1					
4	2	28110-100120	SPANNER, 10X12	1	1	1					
5	2	28110-140170	SPANNER, 14X17	1	1	1					
6	2	28110-190220	SPANNER, 19X22	1	1	1					
7	2	28210-000140	OILER	1	1	1					

Fig.38. GASKET SET(OPTION)

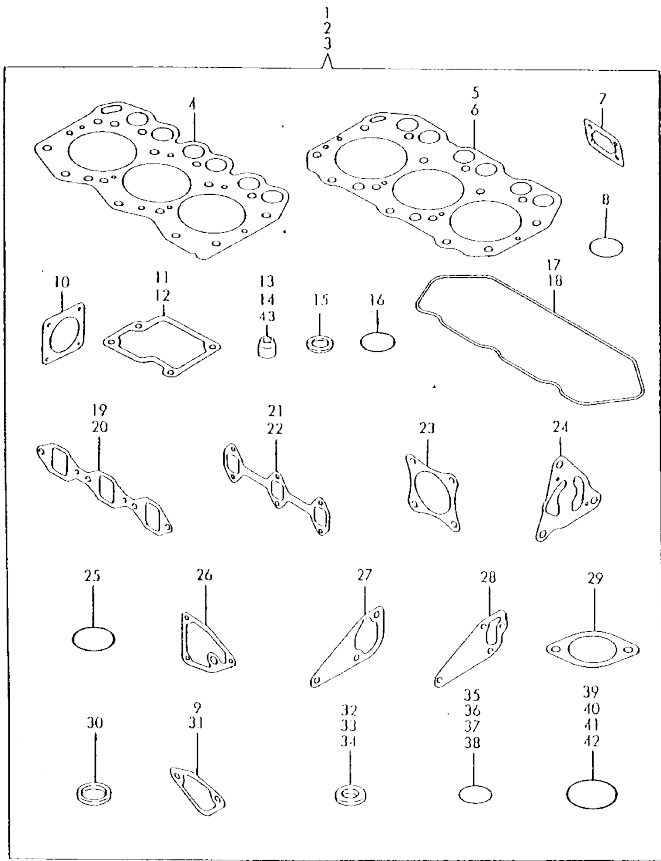


No.	Lev.	Parts No.	Description	Qty						I	R
				(A)	(B)	(C)	(D)	(E)	(F)		
1	1	719241-92600	GASKET SET	1							
1-1	1	719241-92601	GASKET SET	1							N
(A=EXXX)											
2	1	719643-92600	GASKET SET		1						
2-1	1	719643-92601	GASKET SET		1						N
(B=EXXX)											
3	1	719642-92600	GASKET SET				1				
3-1	1	719642-92601	GASKET SET				1				N
(C=EXXX)											
4	2	119225-01340	GASKET, HEAD	1							
5	2	119656-01340	GASKET, HEAD		1						
6	2	119610-01340	GASKET, HEAD				1				
7	2	119660-01561	GASKET	1	1	1					
7-1	2	119660-01562	GASKET	1	1	1					N
(A=*1990.01) (B=*1990.01) (C=*1990.01)											
8	2	121420-01760	O-RING	1	1	1					
8-1	2	24311-000320	O-RING, 1AP32.0	1	1	1					N
(A=*1988.04) (B=*1988.04) (C=E21755)											
9	2	121520-01850	GASKET					1			
9-1	2	121520-01851	GASKET					1			N
(C=*1990.01)											
10	2	124240-01882	GASKET			1					
11	2	119260-03030	GASKET	1							
11-1	2	119260-03031	GASKET	1							N
(A=*1990.06)											
12	2	119620-03030	GASKET		1	1					
12-1	2	119620-03031	GASKET		1	1					N
(B=*1990.01) (C=*1990.01)											
13	2	119260-11340	SEAL, VALVE STEM		6						
14	2	124950-11340	SEAL, VALVE STEM		6	6					
14-1	2	124950-11340	SEAL, VALVE STEM		3	3					K
(B=E07233) (C=E15989)											
15	2	119600-11460	GASKET, NOZZLE	6	6	6					
16	2	121420-01760	O-RING	1	1	1					
16-1	2	24311-000320	O-RING, 1AP32.0	1	1	1					N
(A=*1988.04) (B=*1988.04) (C=E21755)											
17	2	119260-11310	GASKET, BONNET	1							
18	2	119620-11310	GASKET, BONNET		1	1					
19	2	119260-12110	GASKET, MANIFOLD	1							
19-1	2	119260-12111	GASKET, MANIFOLD	1							N
(A=*1990.06)											
20	2	119620-12110	GASKET, MANIFOLD		1	1					
20-1	2	119620-12111	GASKET, MANIFOLD		1	1					N
(B=*1990.04) (C=*1990.04)											
21	2	119260-13110	GASKET	1							
22	2	119620-13110	GASKET		1	1					
23	2	121000-13200	GASKET, SILENCER	1	1	1					
24	2	119660-32020	GASKET, PUMP	1	1	1					
25	2	124450-35110	O-RING	1	1	1					
26	2	119660-35112	GASKET		1	1					
26-1	2	119660-35113	GASKET		1	1					N

N:Old <sup>REV</sup>/<sub>REV</sub> New. Q:Old <sup>REV</sup>/<sub>REV</sub> New. R:Old <sup>REV</sup>/<sub>REV</sub> New. S:Old <sup>REV</sup>/<sub>REV</sub> New. W:Add. Z:Discontinued. F:Interchangeable by set. K:Qty Change  
 ++ CONTINUE ++  
 Copyright (C) YANMAR CO., LTD. All Rights Reserved.

OCD10-M39301

Fig.38. GASKET SET(OPTION)

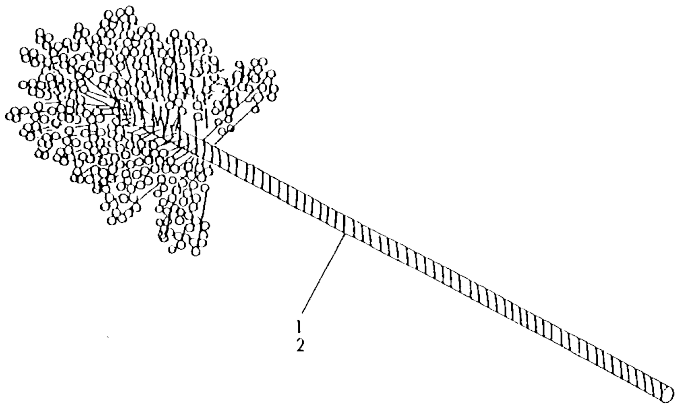


No.	Lev.	Parts No.	Description	Q'ty						I	R
				(A)	(B)	(C)	(D)	(E)	(F)		
			(B=*1990.01) (C=*1990.01)								
27	2	119260-42020	GASKET, WATER PUMP		1						
28	2	119620-42020	GASKET, WATER PUMP			1	1				
29	2	129350-49540	GASKET			1	1				
29-1	2	129350-49541	GASKET			1	1				N
			(B=*1990.01) (C=*1990.01)								
30	2	124465-44950	GASKET, 16		1	2					
31	2	121520-01850	GASKET		1	1	1				
31-1	2	121520-01851	GASKET		1	1	1				N
			(A=*1990.01) (B=*1990.01) (C=*1990.01)								
32	2	104200-59170	GASKET, 12		2	2					
33	2	23414-080012	GASKET, 8X1.0		4	4					
34	2	23414-140000	GASKET, 14X1.0		3	3					
35	2	24311-000120	O-RING, 1AP12.0		5	5					
36	2	24311-000160	O-RING, 1AP16.0			1	1				
37	2	24311-000180	O-RING, 1AP18.0		1						
38	2	24311-240100	O-RING, 1AP10A		1	1					
39	2	24321-000350	O-RING, 1AG35.0		1						
40	2	24341-000250	O-RING, 1AS25.0			1					
41	2	24341-000260	O-RING, 1AS26.0		1	1	1				
41-1	2	24341-000240	O-RING, 1AS24.0		1	1	1				S
			(A=*1989.01) (B=*1989.01) (C=E25840)								
42	2	102103-55520	O-RING		2	2	2				
43	2	124160-11340	SEAL, VALVE STEM		3	3					W
			(B=E07233) (C=E15989)								

N:Old  $\frac{100}{100}$  New. Q:Old  $\frac{100}{100}$  New. R:Old  $\frac{100}{100}$  New. S:Old  $\frac{100}{100}$  New. W:Add. Z:Discontinued. F:Interchangeable by set. K:Q'ty Change  
 Copyright (C) YANMAR CO., LTD. All Rights Reserved.

OCD10-M39301

Fig.39. SPECIAL TOOL(OPTIONAL)



(A)=3TN66L-UHW (D)=  
 (B)=3TNA68L-UHW (E)=  
 (C)=3TNA72L-UHW (F)=

No.	Lev.	Parts No.	Description	Q'ty					
				(A)	(B)	(C)	(D)	(E)	(F)
1	1	129400-92400	FLEX HORN						
2	1	129400-92410	FLEX HORN	1	1		1		

---

---

---

---

---

---

---

---

---

---

---

---

---

---

---

---

---

---

---

---

---

## Parts No. Index

Parts No.	Fig. No.	Ref. No.
101158-11190	10	21
101304-59020	30	1 -1
101720-55750	28	7
		19
102103-55520	28	3
		15
		38
		42
103854-59191	30	3
104200-55321	28	8 A
		11
104200-55330	28	8 B
		12
		12
104200-55341	28	8 C
		13
104200-55750	28	8 D
		20
104200-59170	30	2
		38
		32
104200-92350	37	2
104200-92600	37	3
104211-11370	10	23
104264-59030	30	7
104514-42780	22	7
104583-67300	32	42
104884-59170	2	16
	3	16
105010-11230	11	4
		7
		16
		19
105025-59550	31	10
105225-22400	17	9
105225-23200	17	23
105225-59100	30	5 -1
105546-51330	26	12
105582-59150	30	8
106383-44720	35	16
106383-44730	35	17
110250-55610	28	4
		16
114250-11120	10	9
114250-11180	10	10
114250-11190	10	11
114250-53130	27	6
114250-53400	27	8
119225-01340	38	4
119225-35300	20	5
119225-42320	22	1 J
119225-51100	26	4
119225-51300	26	10

Parts No.	Fig. No.	Ref. No.
119225-55600	28	1
119225-59810	29	3 -1
119255-01340	1	14
119260-01200	1	13
119260-01490	4	1
119260-01590	4	5
119260-01770	8	1 -1
119260-02020	1	8
119260-02410	1	11
119260-03020	12	9
119260-03030	12	11
	38	11
119260-03031	12	11 -1
	38	11 -1
119260-07900	10	27
119260-11100	10	7
119260-11110	10	8
119260-11200	11	1
119260-11240	11	2
119260-11260	11	9
119260-11270	11	10
119260-11280	11	11
119260-11310	12	3
	38	17
119260-11340	10	12
	38	13
119260-11370	10	13
119260-11800	10	4
119260-12100	14	1
119260-12110	14	3
	38	19
119260-12111	14	3 -1
	38	19 -1
119260-13100	14	6
119260-13110	14	7
	38	21
119260-14010	15	2
119260-14100	15	5
119260-14200	15	7
119260-14400	15	9
119260-21200	16	3
119260-21650	16	6
119260-22300	17	7
119260-23200	17	20
119260-23910	17	19
119260-25100	18	3
119260-25900	18	9
119260-32000	19	1
119260-35081	21	1
119260-42000	22	1

Parts No.	Fig. No.	Ref. No.
119260-42001	22	1 -1
119260-42020	22	3
	38	27
119260-44500	23	6
119260-49530	24	1
119260-49800	24	2
119260-59520	31	3
		8 -1
119260-59530	31	4
		9 -1
119260-59540	31	1
119260-59550	31	5
119260-59810	29	3
119260-59820	29	5
119260-59830	29	7
119260-66010	32	33
119260-66540	33	1
119260-66720	32	36
119270-22090	17	1
119270-22091	17	1 -1
119280-49020	25	4
119285-61120	32	13
119285-66090	32	28
119288-49010	25	2
119454-01721	8	4
119600-01050	2	2 -1
	3	2 -1
119600-01600	6	1
119600-01722	9	4
119600-01770	9	1 -1
119600-11450	10	24
119600-11460	10	25
	38	15
119600-13100	14	8
119600-21580	16	11 -1
119600-22091	17	3
119600-22092	17	3 -1
119600-35091	21	2
119600-52021	5	26 -1
119600-61200	32	4
119600-61500	32	17
119600-61540	32	20
119600-61650	32	21
119600-61900	32	26
119600-66020	32	34
119600-66521	32	48
119600-66530	33	2
119600-66700	32	38
119600-66840	33	9
119600-77330	35	23

Parts No.	Fig. No.	Ref. No.
119610-01340	3	14
	38	6
119610-01490	5	1
119610-01590	5	3
119620-01200	2	13
	3	13
119620-01620	7	3
119620-01750	6	3
119620-01800	4	6
	5	4
119620-01950	4	8
	5	7
119620-02020	2	7
	3	7
119620-02410	2	10
	3	10
119620-02450	1	12
	2	11
	3	11
119620-03020	12	10
119620-03030	12	12
	38	12
119620-03031	12	12 -1
	38	12 -1
119620-11100	10	17
119620-11110	10	18
119620-11120	10	19
119620-11180	10	20
119620-11200	11	13
119620-11240	11	14
119620-11260	11	21
119620-11280	11	22
119620-11310	12	4
	38	18
119620-11350	11	25
119620-11390	12	8
119620-11801	10	14
119620-12101	14	2
119620-12110	14	4
	38	20
119620-12111	14	4 -1
	38	20 -1
119620-13110	14	9
	38	22
119620-14010	15	3
119620-14100	15	6
119620-14200	15	8
119620-14400	15	10
119620-21941	16	9
119620-22090	17	5

## Parts No. Index

Parts No.	Fig. No.	Ref. No.	Parts No.	Fig. No.	Ref. No.	Parts No.	Fig. No.	Ref. No.	Parts No.	Fig. No.	Ref. No.
119620-22300	17	8	119645-49020	25	5	119660-61071	32	3 -1	121465-12660	13	4 -1
119620-23910	17	22	119645-66510	32	45	119660-61121	32	13 -1	121465-12700	13	7
119620-25102	18	5	119645-66530	32	49	119660-61300	32	5	121470-44540	23	14
119620-25912	18	4	119649-21650	16	7	119660-61341	32	6			14 -1
		6	119650-42291	22	8 -1	119660-61460	32	14	121520-01850	4	24
119620-42020	22	4	119656-01340	2	14	119660-61491	32	16		5	25
	38	28		38	5	119660-61901	32	27		38	9
119620-42291	22	8	119656-01900	2	15	119660-77710	36	2 -1			31
119620-42320	22	2 J		3	15	119688-49010	25	3	121520-01851	4	24 -1
119620-42350	22	5	119656-66910	32	41	119865-21600	16	12		5	25 -1
119620-51101	26	5	119660-01510	5	2	119865-77720	36	10		38	9 -1
119620-51170	26	6	119660-01551	4	15	121000-13200	14	18			31 -1
119620-51180	26	7		5	16		38	23	121520-01860	4	25
119620-51190	26	8	119660-01561	4	16	121023-01550	4	21		5	26
119620-51250	26	9		5	17		5	22	121520-34810	1	18
119620-51300	26	11		38	7	121023-44740	23	1		2	19
119620-51340	26	13	119660-01562	4	16 -1	121111-21501	16	10		3	19
119620-51350	26	14		5	17 -1	121120-01620	6	2	121522-77101	36	1
119620-51370	26	15		38	7 -1	121120-77930	34	15	121522-77721	36	3
119620-51450	26	16	119660-01570	4	17	121250-44901	24	8			3 -1
119620-51461	26	17		5	18	121250-49121	25	7	121550-49111	25	1
119620-51510	26	19	119660-01640	7	1	121250-55620	28	5	121575-66830	33	8
119620-51650	26	21	119660-01821	15	1	121250-59080	30	5	121850-11860	10	5
119620-51660	26	22	119660-01911	4	7	121254-55510	28	2			15
119620-51670	26	23		5	6		14		123682-39460	32	43
119620-51680	26	24	119660-14092	15	4	121256-44600	23	16	123682-44210	23	7
119620-51700	26	25	119660-21201	16	4	121257-55700	28	10			9
119620-53000	27	2	119660-25022	18	1	121257-55720	28	17	124060-01050	1	2
119620-53080	27	3	119660-25052	18	2	121257-55731	28	18 -1	124064-12680	13	5
119620-53120	27	5	119660-25902	18	10	121257-57731	28	18	124064-12690	13	6
119620-53140	27	7	119660-32001	19	2	121400-01640	8	2	124066-59100	30	4 -1
119620-59540	31	6	119660-32020	19	3	121400-91251	36	6		31	2
119620-59700	31	11		38	24	121400-91271	36	7			7
119620-59810	29	4	119660-35102	20	1	121420-01760	4	19	124085-02220	7	2
119620-59811	29	4 -1	119660-35112	20	2		5	20	124160-01751	4	18
119620-59820	29	6		38	26		12	2		5	19
119620-59821	29	6 -1	119660-35113	20	2 -1		38	8		12	1
119620-59830	29	8		38	26 -1		16		124160-01900	2	2
119620-59831	29	8 -1	119660-35150	20	3	121450-01560	4	2	124160-01910	3	2
119620-77011	34	1	119660-35300	20	6		5	2 A	124160-11340	10	23 C
119620-77820	36	9	119660-42003	22	2		5			38	43
119621-21680	16	8	119660-42004	22	2 -1	121450-42450	22	10 -1	124160-11360	12	5
119621-66051	32	35 -1	119660-42350	22	6		24	4	124160-39450	21	6
119621-66091	32	28 -1	119660-51500	26	18	121450-44510	23	10	124240-01882	38	10
119640-66051	32	35	119660-51530	26	20	121450-44530	23	11	124250-03640	32	40
119643-21590	16	11	119660-61013	32	12	121450-49110	25	5 A	124450-35110	20	4
119643-77900	36	4	119660-61051	32	1	121450-77330	35	20		38	25
119645-34800	1	17	119660-61052	32	1 -1	121465-12500	13	1 -1	124450-44550	23	15
		2	119660-61060	32	2	121465-12510	13	2 -1	124450-44560	23	12
		3	119660-61070	32	3	121465-12650	13	3 -1	124465-44950	24	9



## Parts No. Index

Parts No.	Fig. No.	Ref. No.	Parts No.	Fig. No.	Ref. No.	Parts No.	Fig. No.	Ref. No.	Parts No.	Fig. No.	Ref. No.
124465-44950	38	30	171081-55910	28	21	23871-010000	2	3	26106-060122	21	5
124550-55700	28	6	171301-01640	9	2		3	3	26106-060162	4	10
124550-66370	33	7	171301-77201	35	1	23887-160002	22	10			26
124574-44761	23	3	171301-77700	36	2	24101-062034	15	13		5	11
124700-44740	23	2	171353-44760	23	17	24102-063034	15	14			27
124732-77720	36	11	171440-77800	36	12	24311-000120	4	9		15	15
124766-59050	30	4	171440-77801	36	12 -1		5	10	26106-060182	4	23
124767-59080	30	6	174307-51700	32	18		12	16		5	24
124772-66750	33	4	194990-22050	4	4		21	3		24	10
124950-11340	10	22		5	8		38	35	26106-060202	7	4
		22 -1		14	11	24311-000160	20	8		14	5
	38	14		12	12		25	8		23	5
		14 -1		32	32		38	36	26106-060222	7	4 -1
128300-77920	36	5	22117-040000	32	22	24311-000180	8	3	26106-060302	4	11
129100-01580	6	4		22	-1		38	37		5	12
	16	5 B	22117-050000	32	51	24311-000320	4	19 -1	26106-060352	14	13
			22137-040000	26	26		5	20 -1		23	4
129100-61930	33	3	22212-100000	35	18		12	2 -1	26106-060402	4	12
129150-35350	20	7	22217-040000	26	27		38	8 -1	26106-060452	8	6
129150-59020	30	1	22217-050000	12	13			16 -1		9	6
129150-59120	29	1	22242-000100	11	12	24311-240100	28	8 E	26106-060502	4	13
129150-59130	29	2	22242-000120	11	23			23	26106-060602	5	13
129155-51280	32	11	22242-000200	18	7		32	54			14
129155-59520	31	8	22252-000210	17	10		38	38	26106-060652	4	14
129155-59530	31	9	22272-000040	32	23	24321-000350	24	3	26106-060702	32	9
129155-61480	32	15	22351-020004	32	24		38	39	26106-060802	5	15
129155-61530	32	19	22351-030014	32	25	24341-000070	32	30	26106-080142	10	28
129155-61590	32	37	22351-040010	4	3	24341-000240	4	22 -1			29
		39		5	2 B		5	23 -1	26106-080182	35	24
129155-61830	27	9			9		9	3	26106-080202	20	9
129350-49530	24	5		32	7		38	41 -1		24	11
129350-49540	24	6	22351-060012	10	26	24341-000250	38	40	26106-080402	14	14
	38	29	22360-040000	32	29	24341-000260	4	22	26106-080452	11	26
129350-49541	24	6 -1	22360-050000	32	52		5	23		22	12
	38	29 -1	22360-060000	32	8		38	41	26106-080502	32	55
129350-49800	24	7	22451-060000	33	10	26013-060202	19	4	26106-080652	28	9
129400-92400	39	1	22487-050160	32	53	26014-060122	22	11	26106-100402	35	22
129400-92410	39	2	22512-040120	15	11	26014-060202	5	27 -1	26116-050102	32	10
129410-77951	32	50		12	12	26014-080252	35	21	26116-060122	32	56
129795-77800	36	8		16	5	26014-080702	28	9 -1	26116-060304	33	11
135210-61090	33	6	23010-038000	25	9	26022-040082	26	28	26116-120252	34	50
160110-66011	32	42 -1	23065-070180	23	13	26022-040252	35	8	26206-100252	6	5
171001-93100	37	1	23065-120800	12	15	26106-060102	8	5	26216-060402	14	16
171002-44502	23	8	23414-080012	30	9		21	4	26216-080222	14	15
171002-65121	32	44		38	33		32	31	26216-080552	14	17
171033-12500	13	1	23414-140000	31	12	26106-060122	1	15	26366-060002	4	20
171033-12510	13	2		38	34		2	12		5	21
171033-12540	13	3	23414-160021	22	9		3	12		14	10
171033-12560	13	4	23418-060000	28	8		9	5	26366-080002	11	27
171059-55600	28	1 -1		22	22		18	8	26450-060202	19	5

## Parts No. Index

Parts No.	Fig. No.	Ref. No.
26557-050102	12	14
26587-040102	26	29
26587-080102	15	16
26716-100002	35	19
26756-060002	11	5
		8
		17
		20
	33	12
26979-050162	11	24
27221-060100	1	3
27231-400000	1	4
27231-450000	2	4
	3	4
27241-100000	1	5
27241-120000	2	5
	3	5
27241-250000	1	6
27241-300000	1	7
	2	6
	3	6
27241-350000	10	6
27241-400000	10	16
28110-100120	37	4
28110-140170	37	5
28110-190220	37	6
28210-000140	37	7
43400-500400	33	13
43400-500450	33	5
719225-51100	26	1
719241-92600	38	1
719241-92601	38	1 -1
719260-01560	1	1
719260-02800	1	9
719260-02870	1	16
719260-02930	1	10
719260-11520	12	6
719260-11650	11	3
719260-11660	11	6
719260-11700	10	1
719260-21700	16	1
719260-23100	17	17
719260-23600	17	21
719260-23610	17	25
719270-22500	17	2
719270-22501	17	2 -1
719270-22540	17	12
719270-22820	17	11
719288-01540	8	1
719600-01541	9	1

Parts No.	Fig. No.	Ref. No.
719600-01562	2	1
719600-11700	10	2
719600-22501	17	4
719600-22540	17	14
719600-22820	17	13
719610-01560	3	1
719620-02800	2	8
	3	8
719620-02870	2	17
	3	17
719620-02930	2	9
	3	9
719620-11520	12	7
719620-11650	11	15
719620-11660	11	18
719620-11700	10	3
719620-22500	17	6
719620-22540	17	16
719620-22820	17	15
719620-23100	17	18
719620-23600	17	24
719620-23610	17	26
719620-53100	27	1
719621-51100	26	3
719630-22502	17	4 -1
719642-92600	38	3
719642-92601	38	3 -1
719643-92600	38	2
719643-92601	38	2 -1
719660-21700	16	2 -1
719660-21701	16	2
719660-51100	26	2
X0280210230	34	8
X0280630011	34	2
X0281003751	34	3
X0282001531	34	4
X0283005050	34	7
X0283060061	34	16
X0283270140	34	9
X0283711420	34	17
X0283715030	34	10
X0283810040	34	11
X0284004910	34	18
X0285040631	34	19
X0285100460	34	20
X0534006460	34	22
X0534040320	34	23
X0534490120	34	24
		25
X0534490230	34	26

Parts No.	Fig. No.	Ref. No.
X0534490230	34	27
X0535050620	34	28
X0535130241	34	29
X0535130320	34	30
X0536600401	34	31
X9019008651	34	41
X9025808001	34	42
X9151005141	34	32
X9490071810	34	43
X9490071970	34	44
X9490170900	34	33
		34
X9490200710	34	45
X9490423330	34	46 -1
X9490441303	34	35
X9490441312	34	36
X9490471500	34	46
X9490502820	34	37
		38
X9490561370	34	47
X9490721080	34	12
X9491001360	34	5
X9491001860	34	6
X9491200240	34	48
X9491402100	34	39
		40
X9491703371	34	13
X9491703380	34	49
X9491704260	34	14
X9491730461	34	21
XM08137	35	2
XM08138	35	3
XM08180	35	4
XM17878	35	6
XM27436	35	5
		15
XM36410	35	7
XM37336	35	14
XM72174	35	12
XM72664	35	13
XM82110	35	11
XM82184	35	10
XYSPS4008	35	9

Parts No.	Fig. No.	Ref. No.
-----------	----------	----------