

0CD10-M45500EN

PREFACE

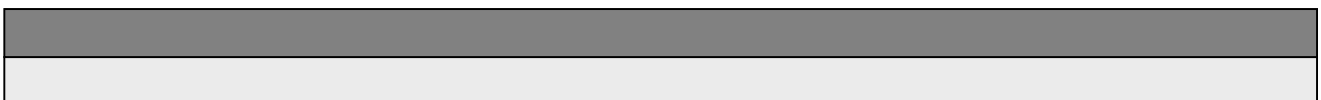
1. This Parts Catalog is the 1st edition of 3TNA72L-UTBZ Diesel Engine for KOBELCO.

Pub. No. : 000Y00D4550

Published : July, 1992

2. Model name

Engine model	Vehicle		Vehicle made by
	Products	Model name	
3TNA72L-UTBZ	—	—	KOBELCO



Directions for the Parts Catalog.

1. The parts stipulated in this Parts Catalog are not necessarily standard equipped parts.
2. Parts may change without prior notice.
3. The following is an example of the Parts Catalog format.

REF.	LEV.	PARTS NO.	DESCRIPTION	Q'TY						I	R
				(A)	(B)	(C)	(D)	(E)	(F)		
1	1	729595-51390	FUEL INJECTION PUMP	1	1	1	1	1			1
1-1	1	729595-51391	FUEL INJECTION PUMP	1	1	1	1	1		N	1
		(A=E00185) (B=E00200)									
3	2	26022-060162	SCREW M 6X 16	9	9	9	9	9			
3-1	2	26022-060162	SCREW M 6X 16	4	4	4	4	4		K	
		(A=E00156) (B=E00156) (C=E00156) (D=E00156) (E=E00156)									
4	2	129470-51040	CAMSHAFT	1	1	1	1	1			
5	2	122710-51050	BEARING, ROLLER	2	2	2	2	2			
6	2	129470-51060	RETAINER	1	1	1	1	1			

Remarks
(1) BOOST COMPEMSATOR TYPE. OPTIONAL PART, TO E00155,(4JH-DT, 4JH-DTZ

① Ref. No.

The Ref. No. listed may not be in accordance with the illustration Ref. No.

(Ex.) Illustration No.

List Ref No.

1 1 (Before change) → 1-1 (After change)

For interchangeable symbols N, R and K, illustrations for new parts may be abbreviated.

② Lev. (Level)

Level indication

The numbers below indicate the level of relativity towards the main part.

1 ---- Main parts (Assembly parts)

2 ---- Sub component included in " 1 ".

3 ---- Sub component included in " 2 ".

Note) Parts that are not for sale are partially illustrated but not listed.

③ Interchangeability Mark

When a part change takes place, one of the following interchangeability symbols is indicated beside the part.

Symbol	Interchangeability	Contents note
N	Old $\begin{matrix} \leftarrow \text{Yes} \\ \text{No} \rightarrow \end{matrix}$ New	New Part is interchangeable for Old Part but Old Part is not interchangeable for New Part.
Q	Old $\begin{matrix} \leftarrow \text{No} \\ \text{Yes} \rightarrow \end{matrix}$ New	New Part is not interchangeable for Old Part but Old Part is interchangeable for New Part.
R	Old $\begin{matrix} \leftarrow \text{Yes} \\ \text{Yes} \rightarrow \end{matrix}$ New	New/ Old Parts are both interchangeable.
S	Old $\begin{matrix} \leftarrow \text{No} \\ \text{No} \rightarrow \end{matrix}$ New	New/ Old Parts are both not interchangeable.
W		Part newly added.
Z		Part discontinued.
F		Not interchangeable by a single part but interchangeable together with related parts.
K		Changes only for used parts quantities.

④ Effective Machine No.

When a part changes, the effective Machine No. will be indicated in the (A)-(F) column.

Product Symbol	Product No.	Product Symbol	Product No.
C	Clutch No. Compressor No.	F	Machine No. (Agricultural Equip.)
D	Drive No.	M	Machine No.
E	Engine No.		

Note 1) A date may follow the symbol. (Ex.) 1996.01

Note 2) "XXXXX" and "ZZZZZ" are for parts that could not be predicted or for engine models that could not be identified.

Note 3) (A=E00185) is the E (Engine Serial Number) for the column (A) model (in this case 4JH-DT) after the parts design change.

⑤ Remarks Mark

Figures or alphabets (symbols) are entered in the remarks column.

The comments (remarks) on parts that are indicated at the bottom of the illustration are the same symbols as those stated above.

Contents

0CD10-M45500

Fig. No.	Fig. Name	Fig. No.	Fig. Name
3TNA72L-UTBZ			
1.	CYLINDER BLOCK		
2.	GEAR HOUSING		
3.	MOUNTING FLANGE & OIL SUMP		
4.	CYLINDER HEAD & BONNET		
5.	SUCTION MANIFOLD & AIR CLEANER		
6.	EXHAUST MANIFOLD & SILENCER		
7.	CAMSHAFT & DRIVE GEAR		
8.	CRANKSHAFT & PISTON		
9.	LUB. OIL SYSTEM		
10.	COOLING WATER SYSTEM		
11.	FUEL INJECTION PUMP		
12.	GOVERNOR		
13.	FUEL INJECTION VALVE		
14.	FUEL PIPES		
15.	STARTING MOTOR		
16.	GENERATOR		
17.	GASKET SET(OPTIONAL)		

OCD10-M45500 3TNA72L-UTBZ
 Fig.1. CYLINDER BLOCK

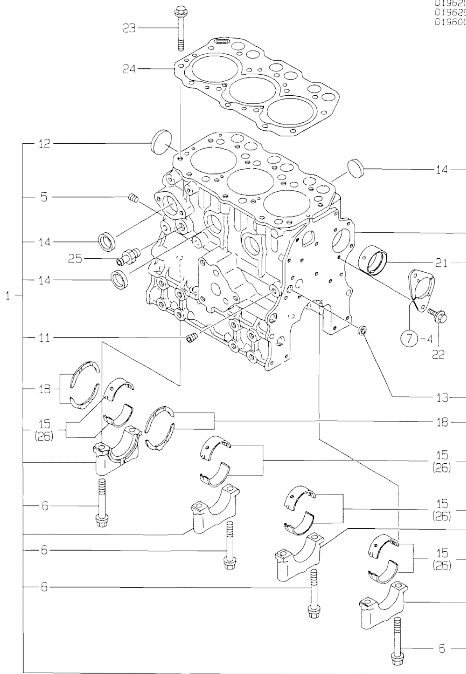
OCD10-M45500 Fig.1

(A)=3TNA72L-UTBZ
 (B)=
 (C)=

(D)=
 (E)=
 (F)=

Y0004550
 3TNA72L-UTBZ

019510-01000
 019620-02020
 019620-02930
 019620-49330



No.	Lev.	Parts No.	Description	Q'ty						I	R
				(A)	(B)	(C)	(D)	(E)	(F)		
1	1	719610-01561	BLOCK ASSY, CYLINDER	1							
5	2	119600-01050	PLUG, PT1/4	1							
6	2	119620-02020	BOLT, METAL CAP	8							
11	2	23871-010000	PLUG, R01	1							
12	2	27231-450000	PLUG 45	1							
13	2	27241-120000	PLUG, 12	1							
14	2	27241-300000	PLUG 30	6							
15	2	719620-02800	BEARING, MAIN	4							
18	2	719620-02930	BEARING, THRUST	2							
21	2	119620-02410	BUSH, CAMSHAFT	1							
22	1	26106-060122	BOLT, M6X 12 PLATED	2							
23	1	119620-01200	BOLT, HEAD	14							
24	1	119610-01340	GASKET, HEAD	1							G
24-1	1	119620-01342	GASKET, HEAD	1							R G
(A=E84242)											
25	1	121550-49111	JOINT, PT1/4	1							
26	1	719620-02870	BEARING, 0.25 US	4							1

Remarks
 (1) UNDER-SIZE(U.S=0.25)PART.
 (G) THESE PARTS ARE SOLD BY FIG.17,
 REF.NO.1,1-1.

N:Old $\frac{YES}{NO}$ New, Q:Old $\frac{YES}{NO}$ New, R:Old $\frac{YES}{NO}$ New, S:Old $\frac{YES}{NO}$ New, W:Add, Z:Discontinued, F:Interchangeable by set, K:Q'ty Change
 Copyright (C) YANMAR CO., LTD. All Rights Reserved.

OCD10-M45500 3TNA72L-UTBZ
 Fig.2. GEAR HOUSING

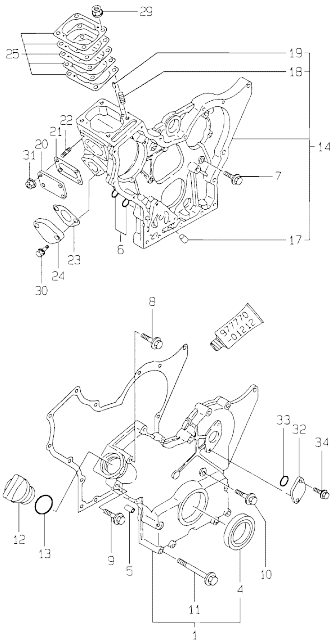
OCD10-M45500 Fig.2

(A)=3TNA72L-UTBZ
 (B)=
 (C)=

(D)=
 (E)=
 (F)=

Y0004550
 3TNA72L-UTBZ

D19610-01590
 D19620-01800
 D19600-01320
 D19600-01800
 719632-51330



No.	Lev.	Parts No.	Description	Q'ty						I	R
				(A)	(B)	(C)	(D)	(E)	(F)		
1	1	119610-01590	COVER ASSY,GEAR CASE	1							
4	2	119620-01800	SEAL, OIL	1							
5	1	119660-01911	PIPE, KNOCK	4							
6	1	24311-000120	O-RING, 1AP12.0	2							G
7	1	26106-060162	BOLT, M6X 16 PLATED	7							
8	1	26106-060302	BOLT, M6X 30 PLATED	8							
9	1	26106-060602	BOLT, M6X 60 PLATED	1							
10	1	26106-060602	BOLT, M6X 60 PLATED	3							
11	1	26106-060802	BOLT, M6X 80 PLATED	6							
12	1	124160-01751	COVER, FILLER	1							
13	1	24311-000320	O-RING, 1AP32.0	1							G
14	1	119610-01490	CASE ASSY, GEAR	1							
17	2	119660-01510	PLUG, 10X14	1							
18	2	121450-01560	STUD, M8X22	4							
19	2	22351-040010	PIN, SPRING 4.0X10	2							
20	1	119660-01551	COVER	1							
21	1	119660-01562	GASKET	1							G
22	1	119660-01570	STUD, M6X12	4							
23	1	121520-01851	GASKET	1							G
24	1	121520-01860	COVER	1							
25	1	119620-01950	SHIM SET, ADJUSTING	1							
29	1	194990-22050	NUT, M8	4							
30	1	26106-060162	BOLT, M6X 16 PLATED	2							
31	1	26366-060002	NUT, M6	4							
32	1	121023-01550	COVER	1							
33	1	24341-000240	O-RING, 1AS24.0	1							
34	1	26106-060182	BOLT, M6X 18 PLATED	2							

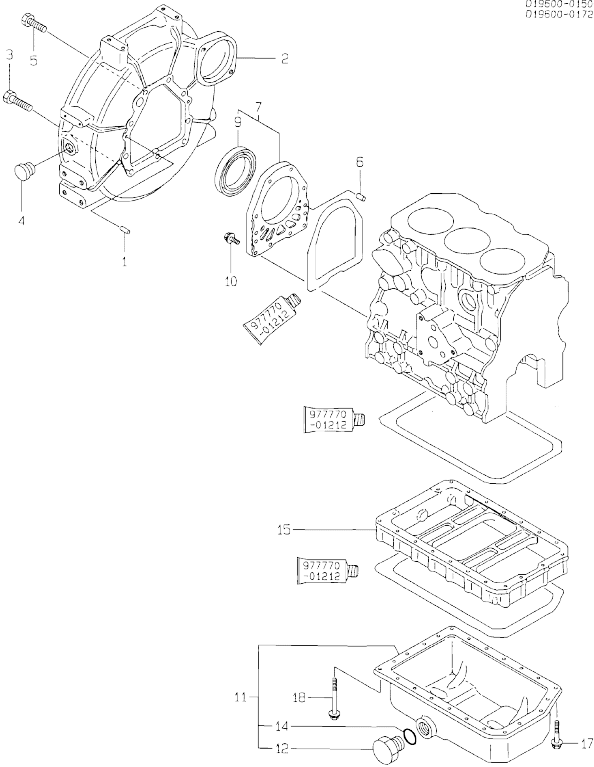
Remarks
 (G) THESE PARTS ARE SOLD BY FIG.17,
 REF.NO.1,1-1.

N:Old $\frac{New}{Old}$ New. Q:Old $\frac{New}{Old}$ New. R:Old $\frac{New}{Old}$ New. S:Old $\frac{New}{Old}$ New. W:Add. Z:Discontinued. F:Interchangeable by set. K:Q'ty Change
 Copyright (C) YANMAR CO., LTD. All Rights Reserved.

Fig.3. MOUNTING FLANGE & OIL SUMP

Y0004550
3TNA72L-UTBZ

019600-01400
019600-01600
019600-01720



(A)=3TNA72L-UTBZ
(B)=
(C)=

(D)=
(E)=
(F)=

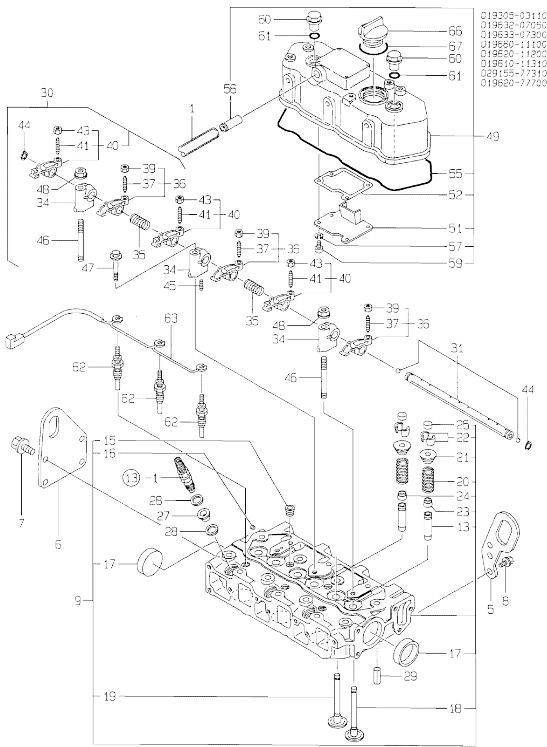
No.	Lev.	Parts No.	Description	Q'ty						I	R
				(A)	(B)	(C)	(D)	(E)	(F)		
1	1	129100-01580	PIN, M8X16	2							
2	1	119600-01600	HOUSING, FLYWHEEL	1							
3	1	121120-01620	BOLT, M10X28	3							
4	1	119620-01750	CAP	1							
5	1	26206-100252	BOLT, M10X 25 PLATED	6							
6	1	119620-01620	PIN, M6X10	2							
7	1	119660-01640	CASE ASSY, OIL SEAL	1							
9	2	124085-02220	SEAL, OIL	1							
10	1	26106-060222	BOLT, M6X 22 PLATED	10							
11	1	719631-01540	SUMP ASSY, OIL	1							
12	2	171301-01640	PLUG, 22	1							
12-1	2	119640-01640	PLUG, DRAIN M22	1							S
(A=E87037)											
14	2	24341-000240	O-RING, 1AS24.0	1							
14-1	2	22190-220002	WASHER, SEAL 22	1							S
(A=E87037)											
15	1	119600-01722	SPACER, OIL SUMP	1							
17	1	26106-060122	BOLT, M6X 12 PLATED	3							
18	1	26106-060452	BOLT, M6X 45 PLATED	20							

Fig.4. CYLINDER HEAD & BONNET

(A)=3TNA72L-UTBZ
(B)=
(C)=

(D)=
(E)=
(F)=

Y0004550
3TNA72L-UTBZ



No.	Lev.	Parts No.	Description	(A)	(B)	(C)	(D)	(E)	(F)	I	R
1	1	23065-120500	PIPE, 12X 500	1							
5	1	119260-07900	LIFTER	1							
6	1	119632-07900	LIFTER	1							
7	1	26106-060122	BOLT, M6X 12 PLATED	4							
8	1	26106-080142	BOLT, M8X 14 PLATED	1							
9	1	119629-11700	HEAD ASSY, CYLINDER	1							
13	2	119620-11801	GUIDE, VALVE	6							1
15	2	121850-11860	PLUG, PT1/4	2							
16	2	27221-050080	PLUG, 5X 8	1							
17	2	27241-400000	PLUG, 40	2							
18	2	119620-11100	VALVE, INTAKE	3							
19	2	119620-11110	VALVE, EXHAUST	3							
20	2	119620-11120	SPRING, VALVE	6							
21	2	119620-11180	RETAINER, SPRING	6							
22	2	101158-11190	COTTER	6							
23	2	124160-11340	SEAL, VALVE STEM	3							G
24	2	124950-11340	SEAL, VALVE STEM	3							G
25	2	104211-11370	CAP, VALVE	6							
27	2	119600-11450	PROTECTOR, NOZZLE	3							G
28	2	119600-11460	GASKET, NOZZLE	6							G
29	1	22351-060012	PIN, SPRING 6.0X12	2							
30	1	119620-11200	SUPPORT ASSY, ARM	1							
31	2	119620-11240	SHAFT ASSY, ROCKER	1							
34	2	119620-11260	SUPPORT, ROCKER ARM	3							
35	2	119620-11280	SPRING	2							
36	2	719620-11650	ARM ASSY, ROCKER	3							
37	3	105010-11230	SCREW, VALVE ADJUST	3							
39	3	26756-060002	NUT, LOCK M6	3							
40	2	719620-11660	ARM ASSY, ROCKER	3							
41	3	105010-11230	SCREW, VALVE ADJUST	3							
43	3	26756-060002	NUT, LOCK M6	3							
44	2	22242-000120	RING, 12	2							
45	2	26979-050162	SCREW, M5X16	1							
46	1	119620-11350	STUD	2							
47	1	26106-080452	BOLT, M8X 45 PLATED	1							
48	1	26366-080002	NUT, M8	2							
49	1	119620-11330	BONNET ASSY, HEAD	1							
51	2	119620-03020	PLATE, SHELTER	1							
52	2	119620-03031	GASKET	1							G
55	2	119620-11310	GASKET, BONNET	1							G
56	2	119620-11390	JOINT	1							
57	2	22217-050000	WASHER, SPRING 5	4							
59	2	26557-050102	SCREW, M5X10	4							
60	1	124160-11360	KNOB	2							
61	1	24311-000120	O-RING, 1AP12.0	2							G
62	1	129155-77801	PLUG, GLOW	3							
63	1	119620-77820	CONNECTOR, GLOW PLUG	1							
66	1	124160-01751	COVER, FILLER	1							
67	1	24311-000320	O-RING, 1AP32.0	1							G

Remarks
(1) REPAIR PART.
(G) THESE PARTS ARE SOLD BY FIG.17,
REF.NO.1,1-1.

OCD10-M45500 3TNA72L-UTBZ

Fig.5. SUCTION MANIFOLD & AIR CLEANER

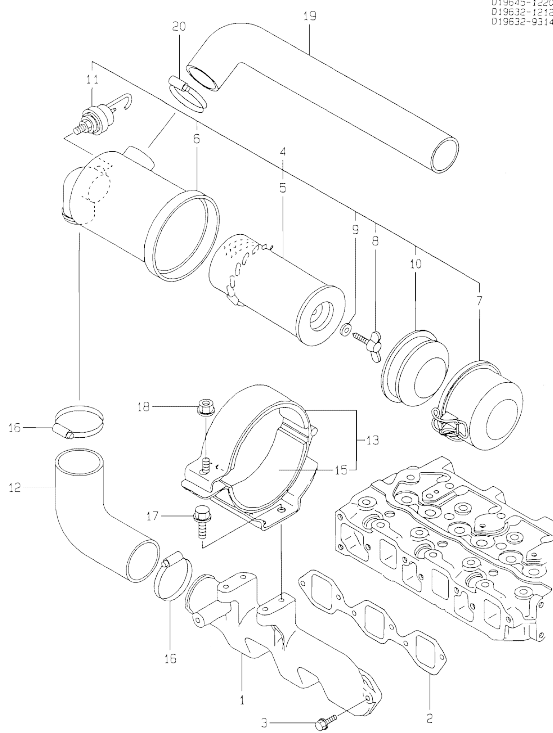
OCD10-M45500 Fig.5

(A)=3TNA72L-UTBZ
(B)=
(C)=

(D)=
(E)=
(F)=

Y9004550
3TNA72L-UTBZ

019645-12100
019632-12520
019632-95140



No.	Lev.	Parts No.	Description	Q'ty						I	R
				(A)	(B)	(C)	(D)	(E)	(F)		
1	1	119645-12100	MANIFOLD, AIR INTAKE	1							
2	1	119620-12111	GASKET, MANIFOLD	1							G
3	1	26106-060202	BOLT, M6X 20 PLATED	6							
4	1	119632-12520	CLEANER ASSY, AIR	1							
5	2	121465-12510	ELEMENT	1							
6	2	119632-12530	BODY, AIR CLEANER	1							
7	2	121024-12660	PAN ASSY, DUST	1							
8	2	124064-12680	BOLT	1							
9	2	124064-12690	WASHER	1							
10	2	121465-12700	RETAINER, ELEMENT	1							
11	2	121262-12800	INDICATOR	1							
12	1	119632-12551	PIPE, AIR INTAKE	1							
13	1	119632-12590	SUPPORT ASSY,CLEANER	1							
15	2	119640-12580	SEAT, RUBBER	2							
16	1	23000-060000	CLAMP, 60	2							
17	1	26014-080202	BOLT, M8X 20	4							
18	1	26366-080002	NUT, M8	1							
19	1	119632-12211	PIPE, AIR INTAKE	1							
20	1	23000-060000	CLAMP, 60	1							

Remarks

(G) THESE PARTS ARE SOLD BY FIG.17,
REF.NO.1,1-1.

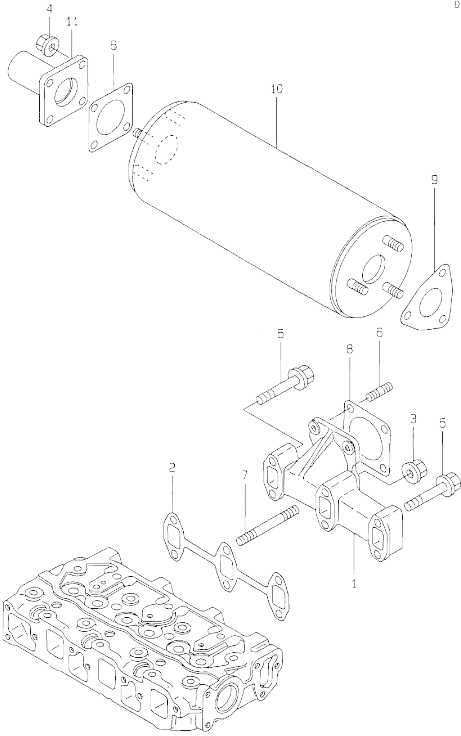
N:Old $\frac{100}{100}$ New, Q:Old $\frac{100}{100}$ New, R:Old $\frac{100}{100}$ New, S:Old $\frac{100}{100}$ New, W:Add, Z:Discontinued, F:Interchangeable by set, K:Q'ty Change
Copyright (C) YANMAR CO., LTD. All Rights Reserved.

OCD10-M45500 3TNA72L-UTBZ

Fig.6. EXHAUST MANIFOLD & SILENCER

Y0004550
3TNA72L-UTBZ

D19600-13200
D19232-13510



OCD10-M45500 Fig.6

(A)=3TNA72L-UTBZ
(B)=
(C)=

(D)=
(E)=
(F)=

No.	Lev.	Parts No.	Description	Q'ty						I	R
				(A)	(B)	(C)	(D)	(E)	(F)		
1	1	119600-13100	MANIFOLD, EXHAUST	1							
2	1	119620-13110	GASKET	1							G
3	1	194990-22050	NUT, M8	2							
4	1	194990-22050	NUT, M8	4							
5	1	26106-080402	BOLT, M8X 40 PLATED	4							
6	1	26216-080222	STUD, M8X 22	4							
7	1	26216-080552	STUD, M8X 55	2							
8	1	124701-11911	GASKET, SILENCER	2							G
9	1	103954-13200	GASKET, SILENCER	1							
9-1	1	103954-13201	GASKET, SILENCER	1							N
		(A=E80109)									
10	1	119232-13500	SILENCER	1							
11	1	119232-13510	PIPE	1							

Remarks

(G) THESE PARTS ARE SOLD BY FIG.17,
REF.NO.1,1-1.

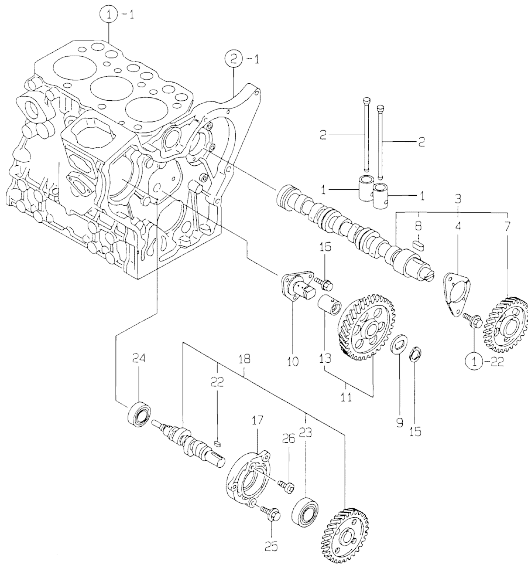
N:Old $\frac{100}{100}$ New, Q:Old $\frac{100}{100}$ New, R:Old $\frac{100}{100}$ New, S:Old $\frac{100}{100}$ New, W:Add, Z:Discontinued, F:Interchangeable by set, K:Q'ty Change
Copyright (C) YANMAR CO., LTD. All Rights Reserved.

OCD10-M45500 3TNA72L-UTBZ

Fig.7. CAMSHAFT & DRIVE GEAR

Y0004550
3TNA72L-UTBZ

D19629-14100
D19660-25102
749632-51930



OCD10-M45500 Fig.7

(A)=3TNA72L-UTBZ
(B)=
(C)=

(D)=
(E)=
(F)=

No.	Lev.	Parts No.	Description	Q'ty						I	R
				(A)	(B)	(C)	(D)	(E)	(F)		
1	1	119620-14200	TAPPET	6							
2	1	119620-14400	ROD, PUSH	6							
2-1	1	119620-14401	ROD, PUSH	6							N
(A=E72496)											
3	1	119629-14580	CAMSHAFT ASSY	1							
4	2	119620-02450	BEARING, THRUST	1							
7	2	119620-14100	GEAR, CAMSHAFT	1							
8	2	22512-040120	KEY, 4X 12	1							
9	1	119660-25022	RETAINER	1							
10	1	119660-25052	SHAFT, IDLE	1							
11	1	119620-25102	GEAR ASSY, IDLE	1							
13	2	119620-25912	BUSH	1							1
15	1	22242-000200	RING, 20	1							
16	1	26106-060122	BOLT, M6X 12 PLATED	3							
17	1	119660-01821	BEARING, FUEL CAM	1							
18	1	719660-14590	CAMSHAFT	1							
22	2	22512-040120	KEY, 4X 12	1							
23	2	24102-063034	BEARING, BALL 6303U	1							
24	1	24101-062034	BEARING, BALL 6203	1							
25	1	26106-060162	BOLT, M6X 16 PLATED	3							
26	1	26587-080102	SCREW, M8X10	1							

Remarks
(1) REPAIR PART.

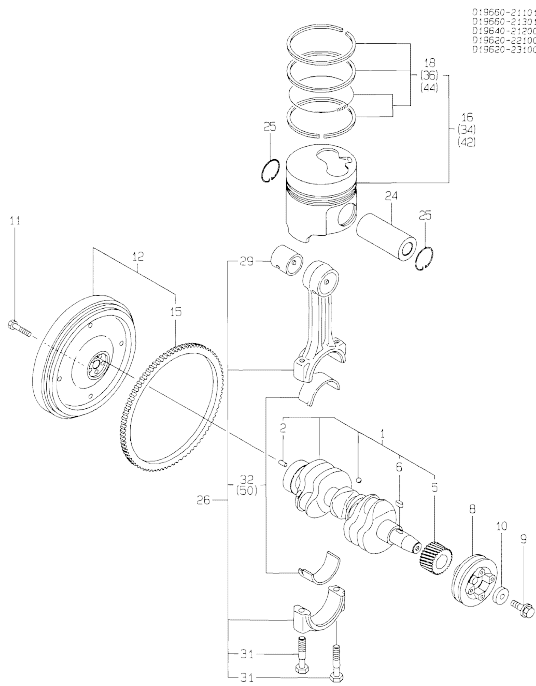
N:Old $\frac{YES}{NO}$ New, Q:Old $\frac{HE}{VCC}$ New, R:Old $\frac{YES}{VCC}$ New, S:Old $\frac{NO}{NO}$ New, W:Add, Z:Discontinued, F:Interchangeable by set, K:Q'ty Change
Copyright (C) YANMAR CO., LTD. All Rights Reserved.

Fig.8. CRANKSHAFT & PISTON

(A)=3TNA72L-UTBZ
(B)=
(C)=

(D)=
(E)=
(F)=

YCD04550
3TNA72L-UTBZ



No.	Lev.	Parts No.	Description	Q'ty						I	R
				(A)	(B)	(C)	(D)	(E)	(F)		
1	1	719660-21700	CRANKSHAFT ASSY	1							
2	2	129100-01580	PIN, M8X16	1							
5	2	119660-21201	GEAR, CRANKSHAFT	1							
6	2	22512-040120	KEY, 4X 12	1							
8	1	119660-21651	V-PULLEY	1							
9	1	119621-21680	BOLT, FLANGE 12X1.25	1							
10	1	119620-21941	WASHER	1							
11	1	121111-21501	BOLT, FLYWHEEL	5							
12	1	119640-21590	FLYWHEEL ASSY	1							
15	2	119865-21600	GEAR, RING	1							
16	1	119620-22090	PISTON ASSY	3							
18	2	719620-22500	RING SET, PISTON	3							
24	1	119620-22300	PIN, PISTON	3							
25	1	22252-000210	RING, 21	6							
26	1	719620-23100	ROD ASSY, CONNECTING	3							
29	2	119620-23910	BEARING, PISTON PIN	3							1
31	2	105225-23200	BOLT, CONNECTING ROD	6							
32	2	719620-23600	BEARING, CRANK PIN	3							
34	1	119620-22900	PISTON ASSY, 0.25 OS	3							2
36	2	119620-22950	RING SET, 0.25 OS	3							2
42	1	119620-22920	PISTON ASSY, 0.50 OS	3							3
44	2	119620-22970	RING SET, 0.50 OS	3							3
50	1	719620-23610	BEARING ASSY, 0.25	3							4

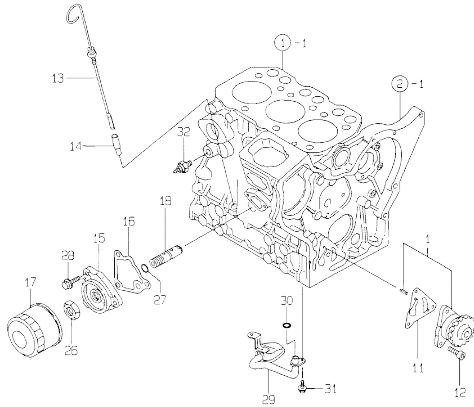
Remarks

- (1) REPAIR PART.
- (2) OVER-SIZE(O.S=0.25)PART.
- (3) OVER-SIZE(O.S=0.50)PART.
- (4) UNDER-SIZE(U.S=0.25)PART.

OCD10-M45500 3TNA72L-UTBZ
 Fig.9. LUB. OIL SYSTEM

19004550
 3TNA72L-UTBZ

019660-32100
 019631-34100
 019653-35100
 019600-35110
 019600-32100



OCD10-M45500 Fig.9

(A)=3TNA72L-UTBZ
 (B)=
 (C)=

(D)=
 (E)=
 (F)=

No.	Lev.	Parts No.	Description	Q'ty						I	R
				(A)	(B)	(C)	(D)	(E)	(F)		
1	1	119660-32001	PUMP ASSY, OIL	1							
11	1	119660-32020	GASKET, PUMP	1							G
12	1	26450-060202	BOLT, M6X 20	3							
13	1	119631-34800	DIPSTICK, OIL	1							
14	1	121520-34810	GUIDE, DIPSTICK	1							
15	1	119660-35102	BRACKET, FILTER	1							
16	1	119660-35113	GASKET	1							G
17	1	119305-35150	FILTER, OIL	1							
18	1	119660-35300	VALVE ASSY, CONTROL	1							
26	1	129150-35350	NUT	1							
27	1	24311-000160	O-RING, 1AP16.0	1							
28	1	26106-080202	BOLT, M8X 20 PLATED	3							
29	1	119600-35081	PIPE ASSY, OIL INLET	1							
30	1	24311-000120	O-RING, 1AP12.0	1							
31	1	26106-060102	BOLT, M6X 10 PLATED	2							
32	1	124160-39450	SWITCH, 0.5KG	1							

Remarks
 (G) THESE PARTS ARE SOLD BY FIG.17,
 REF.NO.1,1-1.

N:Old $\frac{100}{100}$ New, Q:Old $\frac{100}{100}$ New, R:Old $\frac{100}{100}$ New, S:Old $\frac{100}{100}$ New, W:Add, Z:Discontinued, F:Interchangeable by set, K:Q'ty Change
 Copyright (C) YANMAR CO., LTD. All Rights Reserved.

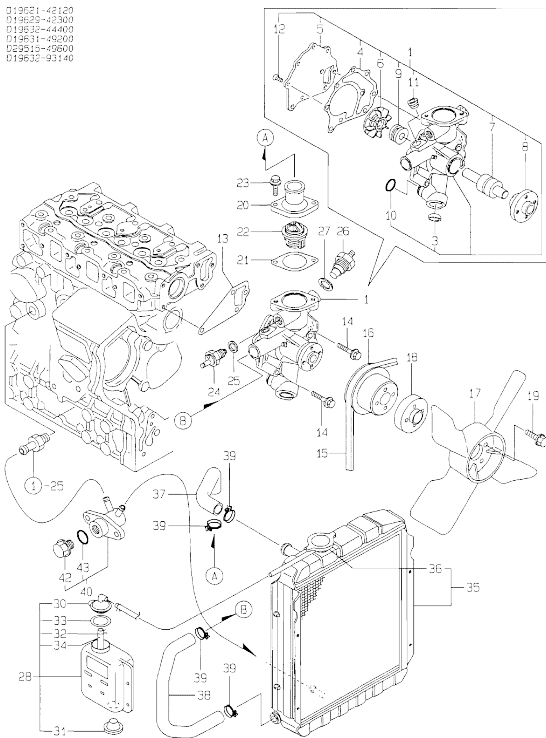
Fig.10. COOLING WATER SYSTEM

(A)=3TNA72L-UTBZ
(B)=
(C)=

(D)=
(E)=
(F)=

Y0004560
3TNA72L-U1BZ

D19621-42120
D19620-42320
D19632-44400
D19631-49200
D29510-49600
D19632-93140

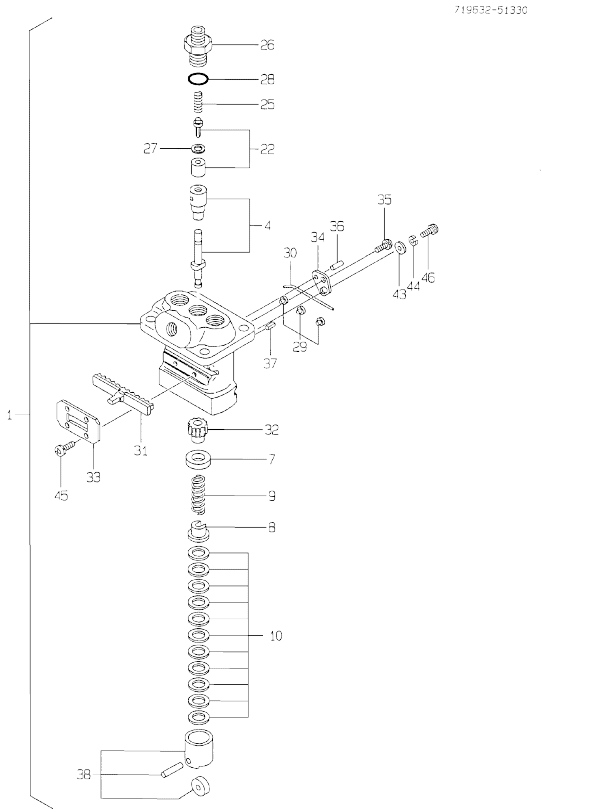


No.	Lev.	Parts No.	Description	Q'ty						I	R
				(A)	(B)	(C)	(D)	(E)	(F)		
1	1	119660-42004	PUMP ASSY, WATER	1							
10	2	119620-42320	O-RING	1							
11	2	23871-030000	PLUG, R03	1							
13	1	119620-42020	GASKET, WATER PUMP	1							G
14	1	26106-080452	BOLT, M8X 45 PLATED	4							
15	1	119656-42291	V-BELT, 36	1							
16	1	119660-42350	V-PULLEY	1							
17	1	121450-44740	FAN, COOLING	1							
18	1	124574-44761	SPACER, FAN	1							
19	1	26014-060252	BOLT, M6X 25	4							
20	1	129350-49530	COVER, THERMOSTAT	1							
21	1	129350-49541	GASKET	1							G
22	1	129350-49800	THERMOSTAT, 71	1							
23	1	26106-080202	BOLT, M8X 20 PLATED	2							
24	1	121250-44901	SWITCH, 110	1							
25	1	124465-44950	GASKET, 16	1							G
26	1	171056-49351	SENSOR	1							
27	1	129150-49360	GASKET	1							G
27-1	1	129150-49360	GASKET	3							K G
(A=E70724)											
28	1	121468-44510	SUB-TANK ASSY	1							
30	2	121450-44531	CAP	1							
31	2	121468-44540	PLUG, SUB-TANK	1							
32	2	124450-44560	RETAINER	1							
33	2	121470-44581	GASKET	1							
34	2	23065-070130	PIPE, 7X 130	1							
35	1	119632-44520	RADIATOR ASSY	1							
36	2	123682-44210	CAP, RADIATOR	1							M
36-1	2	129107-44590	CAP, RADIATOR	1							
37	1	119688-49010	PIPE, WATER	1							
38	1	119632-49020	PIPE, WATER	1							
39	1	23010-038000	CLAMP, 38	4							
40	1	121450-49110	COCK ASSY, 3-WAY	1							
42	2	121250-49121	PLUG, DRAIN	1							
43	2	24311-000160	O-RING, 1AP16.0	1							

Remarks
(G) THESE PARTS ARE SOLD BY FIG.17,
REF.NO.1,1-1.
(M) MISPRINT.

Fig.11. FUEL INJECTION PUMP

Y000-45500
3TNA72L-UTBZ



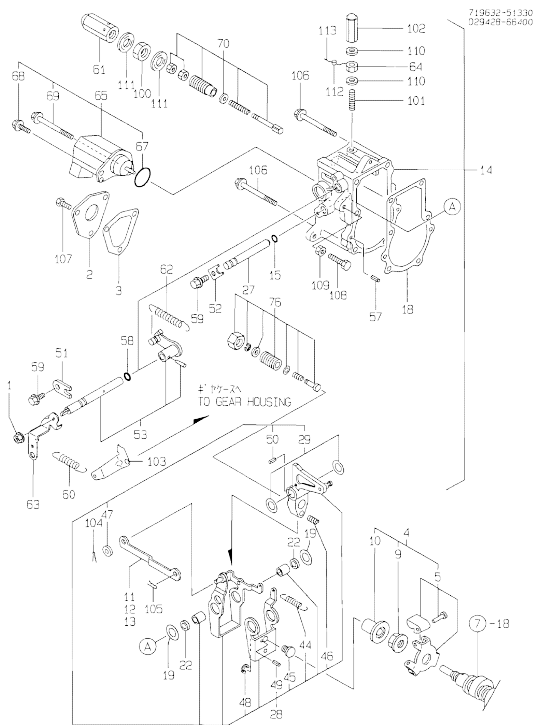
(A)=3TNA72L-UTBZ
(B)=
(C)=

(D)=
(E)=
(F)=

No.	Lev.	Parts No.	Description	Q'ty					
				(A)	(B)	(C)	(D)	(E)	(F)
1	1	719621-51100	PUMP ASSY, INJECTION	1					
4	2	119620-51101	PLUNGER ASSY	3					
7	2	119620-51170	RETAINER, SPRING A	3					
8	2	119620-51180	RETAINER, SPRING B	3					
9	2	119620-51190	SPRING, PLUNGER	3					
10	2	119620-51250	SHIM SET	3					
22	2	119620-51300	VALVE ASSY, DELIVERY	3					
25	2	105546-51330	SPRING, DELIVERY	3					
26	2	119620-51340	HOLDER, DELIVERY	3					
27	2	119620-51350	GASKET	3					
28	2	119620-51370	O-RING	3					
29	2	119620-51450	PIECE	3					
30	2	119620-51461	PIN	1					
31	2	119660-51500	RACK, CONTROL	1					
32	2	119620-51510	PINION	3					
33	2	119660-51530	RETAINER, RACK	1					
34	2	119620-51650	PLATE	2					
35	2	119620-51660	SCREW	2					
36	2	119620-51670	PIN	2					
37	2	119620-51680	PIN	1					
38	2	119620-51700	TAPPET ASSY	3					
43	2	22137-040000	WASHER, 4	2					
44	2	22217-040000	WASHER, SPRING 4	2					
45	2	26022-040082	SCREW, M4X 8	4					
46	2	26587-040102	SCREW, M4X10	2					

OCD10-M45500 3TNA72L-UTBZ
 Fig.12. GOVERNOR

Y0004550
 3TNA72L-UTBZ



OCD10-M45500 Fig.12

(A)=3TNA72L-UTBZ
 (B)=
 (C)=

(D)=
 (E)=
 (F)=

No.	Lev.	Parts No.	Description	Q'ty						I	R
				(A)	(B)	(C)	(D)	(E)	(F)		
1	1	194990-22050	NUT, M8	1							
2	1	119660-61060	COVER, GOVERNOR CASE	1							
3	1	119660-61071	GASKET	1							
4	1	119600-61100	DRIVE ASSY	1							
5	2	119600-61200	WEIGHT ASSY, GOVERNOR	1							
9	2	119660-61300	NUT	1							
10	2	119660-61341	SLEEVE	1							
11	1	119660-61121	LINK, NO MARK	1							1
12	1	119660-61140	LINK, MARK :2	1							1
13	1	119660-61150	LINK, MARK :3	1							1
14	1	119632-61200	CASE ASSY, GOVERNOR	1							
15	2	129155-51280	O-RING, S6	1							
18	2	119660-61052	GASKET	1							
19	2	119660-61460	SHIM SET	1							
22	2	129155-61480	SPACER ASSY	2							
27	2	119660-61491	SHAFT	1							
28	2	119232-61510	LEVER ASSY, GOVERNOR	1							
29	3	174307-51700	SHIM SET	2							
44	3	119232-61540	SPRING	1							
45	3	119600-61540	SHIFTER	1							
46	3	119660-61651	SPRING, STARTING	1							
47	3	22117-040000	WASHER, 4	1							
48	3	22272-000040	RING, E- 4	1							
49	3	22351-020004	PIN, SPRING 2.0X 4	1							
50	3	22351-030014	PIN, SPRING 3.0X14	1							
51	2	119600-61900	RETAINER, SHAFT	1							
52	2	119660-61901	RETAINER, SHAFT	1							
53	2	119285-66080	SHAFT ASSY	1							
57	2	22351-040010	PIN, SPRING 4.0X10	2							
58	2	24341-000070	O-RING, 1AS7.0	1							
59	2	26106-060102	BOLT, M6X 10 PLATED	2							
60	1	119840-61870	SPRING	1							
61	1	129100-61930	NUT, CAP	1							
62	1	119600-66020	SPRING, REGULATOR	1							
63	1	119640-66051	HANDLE, REGULATOR	1							
64	1	124550-66370	NUT, M6	1							
65	1	119285-66500	STOPPER ASSY	1							
67	2	24341-000280	O-RING, 1AS28.0	1							
68	2	26106-060162	BOLT, M6X 16 PLATED	1							
69	2	26106-060952	BOLT, M6X 95 PLATED	1							
70	1	119600-66530	LIMITER ASSY, FUEL	1							
76	1	119610-66700	ANGLEICH ASSY	1							
100	1	124772-66750	NUT, LOCK M12	1							
101	1	121575-66830	SCREW	1							
102	1	119600-66840	NUT, CAP	1							
103	1	119656-66910	HOOK	1							
104	1	22360-040000	PIN, SNAP 4	1							
105	1	22360-060000	PIN, SNAP 6	1							
106	1	26106-060702	BOLT, M6X 70 PLATED	7							
107	1	26116-050102	BOLT, M5X 10 PLATED	3							
108	1	26116-060304	BOLT, M6X 30 PLATED	1							

Remarks
 (1) SELECTIVE PARTS: CERTAIN THE CLASSIFICATION MARK, THEN PLACE YOUR ORDER.(REFER TO ILLUSTRATION).

N:Old $\frac{New}{Old}$ New, Q:Old $\frac{New}{Old}$ New, R:Old $\frac{New}{Old}$ New, S:Old $\frac{New}{Old}$ New, W:Add, Z:Discontinued, F:Interchangeable by set, K:Q'ty Change
 ++ CONTINUE ++ Copyright (C) YANMAR CO., LTD. All Rights Reserved.

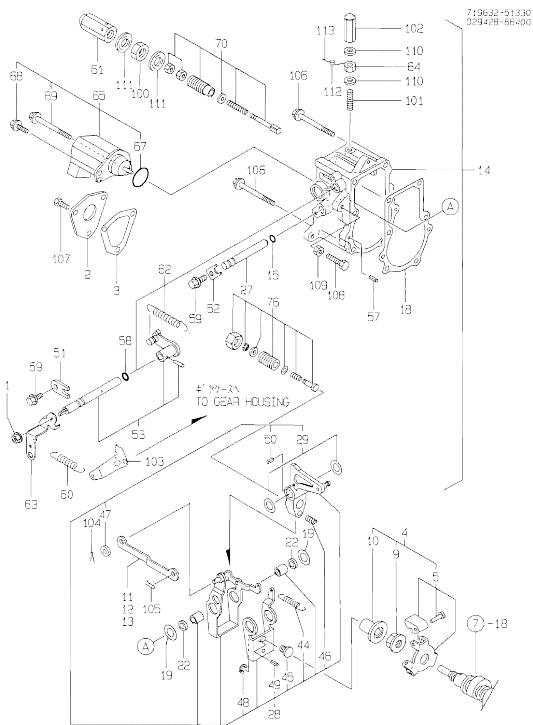
OCD10-M45500 3TNA72L-UTBZ
 Fig.12. GOVERNOR

OCD10-M45500 Fig.12

(A)=3TNA72L-UTBZ
 (B)=
 (C)=

(D)=
 (E)=
 (F)=

Y0004550
 3TNA72L-UTBZ

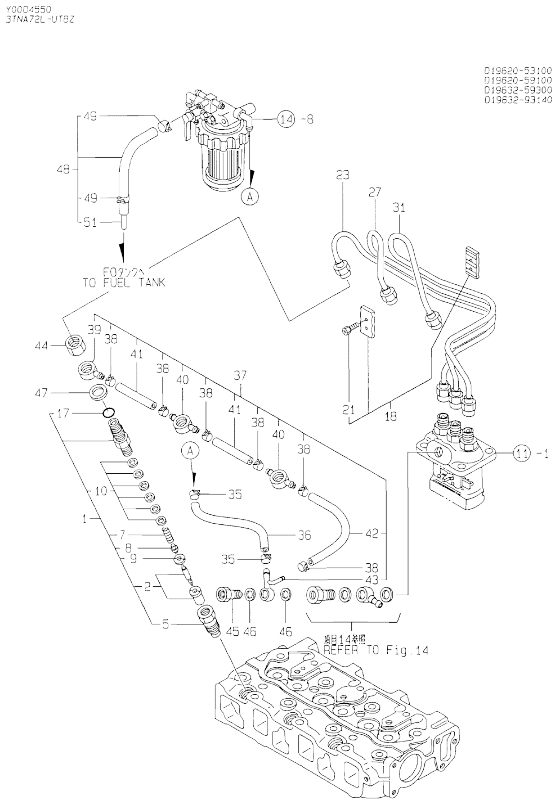


No.	Lev.	Parts No.	Description	Q'ty						I	R
				(A)	(B)	(C)	(D)	(E)	(F)		
109	1	26756-060002	NUT, LOCK M6	1							
110	1	43400-500400	SEAL WASHER 6	2							
110-1	1	22190-060003		2							N
(A=E80958)											
111	1	43400-500450	SEAL WASHER 12S	2							
111-1	1	22190-120002	WASHER, SEAL 12	2							N
(A=E80958)											
112	1	135210-61090	LEAD	1							
113	1	22451-060000	WIRE, 0.6	1							

Remarks
 (1) SELECTIVE PARTS: CERTAIN THE CLASSIFICATION MARK, THEN PLACE YOUR ORDER.(REFER TO ILLUSTRATION).

N:Old $\frac{100}{100}$ New, Q:Old $\frac{100}{100}$ New, R:Old $\frac{100}{100}$ New, S:Old $\frac{100}{100}$ New, W:Add, Z:Discontinued, F:Interchangeable by set, K:Q'ty Change
 Copyright (C) YANMAR CO., LTD. All Rights Reserved.

Fig.13. FUEL INJECTION VALVE



D19620-53100
D19620-53100
D19632-59300
D19632-53140

(A)=3TNA72L-UTBZ
(B)=
(C)=

(D)=
(E)=
(F)=

No.	Lev.	Parts No.	Description	Q'ty						I	R
				(A)	(B)	(C)	(D)	(E)	(F)		
1	1	719620-53100	VALVE ASSY,INJECTION	3							
2	2	119620-53000	VALVE ASSY,INJECTION	3							
5	2	119620-53080	NUT, NOZZLE	3							
7	2	119620-53120	SPRING, NOZZLE	3							
8	2	114250-53130	SEAT, SPRING	3							
9	2	119620-53140	SPACER, VALVE STOP	3							
10	2	114250-53400	SHIM SET	3							
17	2	129155-61830	O-RING, S10	3							G
17-1	2	129155-51580	O-RING	3							N G
(A=E70533)											
18	1	129150-59120	RETAINER, PIPE	1							
21	2	129150-59130	BOLT, M4X12	2							
21-1	2	129150-59131	BOLT, M4X14	2							N
(A=1994.01)											
23	1	119620-59811	PIPE ASSY, INJECTION	1							
27	1	119620-59821	PIPE ASSY, INJECTION	1							
31	1	119620-59831	PIPE ASSY, INJECTION	1							
35	1	124766-59050	CLIP, HOSE 12	2							
36	1	121250-59080	PIPE, FUEL D12X180	1							
37	1	119642-59540	PIPE ASSY, RETURN	1							
38	2	124066-59100	CLIP, HOSE 8	6							
39	2	119260-59520	JOINT	1							
40	2	119260-59530	JOINT	2							
41	2	105025-59550	PIPE, FUEL RETURN	2							
42	2	119642-59550	PIPE, FUEL RETURN	1							
43	2	119642-59570	JOINT, OVER FLOW	1							
44	1	119620-59700	NUT, NOZZLE	3							
45	1	124550-59820	BOLT, PIPE JOINT M8	1							
46	1	23414-080012	GASKET, 8X1.0	2							G
47	1	23414-140000	GASKET, 14X1.0	3							G
48	1	119840-59601	BEND	1							

Remarks
(G) THESE PARTS ARE SOLD BY FIG.17,
REF.NO.1,1-1.

N:Old $\frac{100}{100}$ New, Q:Old $\frac{100}{100}$ New, R:Old $\frac{100}{100}$ New, S:Old $\frac{100}{100}$ New, W:Add, Z:Discontinued, F:Interchangeable by set, K:Qty Change
Copyright (C) YANMAR CO., LTD. All Rights Reserved.

OCD10-M45500 3TNA72L-UTBZ
 Fig.14. FUEL PIPES

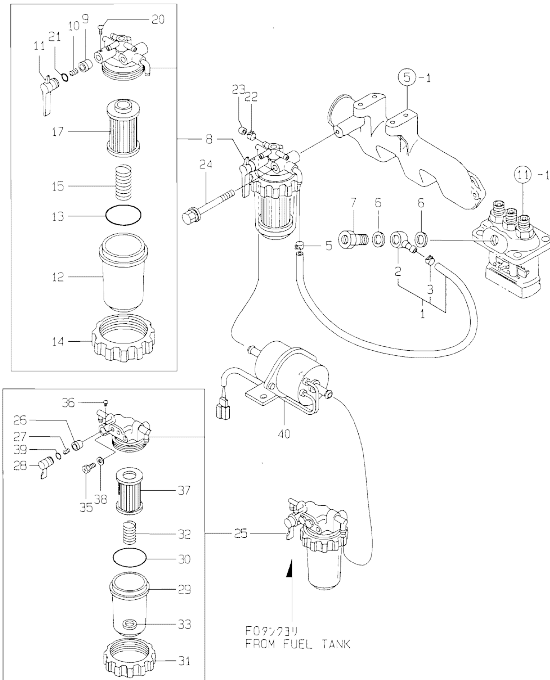
OCD10-M45500 Fig.14

(A)=3TNA72L-UTBZ
 (B)=
 (C)=

(D)=
 (E)=
 (F)=

Y00D4550
 3TNA72L-UTBZ

D19632-55100
 D19632-55210
 D19632-55140



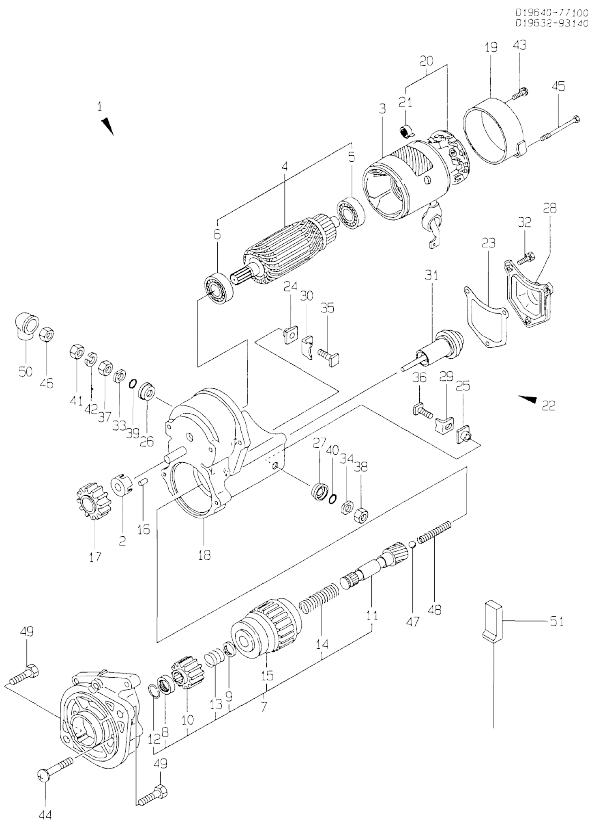
No.	Lev.	Parts No.	Description	Q'ty						I	R
				(A)	(B)	(C)	(D)	(E)	(F)		
1	1	124767-59031	PIPE ASSY, FUEL	1							
2	2	101304-59020	JOINT, PIPE 12	1							
3	2	124766-59050	CLIP, HOSE 12	1							
5	1	124766-59050	CLIP, HOSE 12	1							
6	1	104200-59170	GASKET, 12	2							G
7	1	119650-59200	BOLT, PIPE JOINT M12	1							
8	1	119632-55620	FILTER ASSY, FUEL	1							
9	2	104200-55321	VALVE, TAPER	1							
10	2	104200-55330	SPRING, VALVE	1							
11	2	119810-55340	LEVER	1							
12	2	121254-55510	COVER	1							
13	2	102103-55520	O-RING	1							
14	2	110250-55610	RING, RETAINING	1							
15	2	121250-55620	SPRING	1							
17	2	124550-55700	FILTER, FUEL L=90	1							
20	2	104200-55750	SCREW, M4	1							
21	2	24311-240100	O-RING, 1AP10A	1							
22	1	124066-59100	CLIP, HOSE 8	1							
23	1	129150-59580	CAP	1							
24	1	26014-080702	BOLT, M8X 70	1							
25	1	129335-55700	SEPARATOR ASSY,WATER	1							
26	2	104200-55321	VALVE, TAPER	1							
27	2	104200-55330	SPRING, VALVE	1							
28	2	104200-55341	HANDLE	1							
29	2	124064-55510	COVER	1							
30	2	102103-55520	O-RING	1							
31	2	110250-55610	RING, RETAINING	1							
32	2	121257-55720	SPRING	1							
33	2	121257-55731	FLOAT	1							
35	2	101720-55750	PLUG, 6	2							
36	2	104200-55750	SCREW, M4	1							
37	2	171081-55910	SCREEN	1							
38	2	23418-060000	GASKET, 6X1.0	2							
39	2	24311-240100	O-RING, 1AP10A	1							
40	1	129322-77401	PUMP ASSY, FUEL FEED	1							

Remarks
 (G) THESE PARTS ARE SOLD BY FIG.17,
 REF.NO.1,1-1.

N:Old $\frac{New}{Old}$ New, Q:Old $\frac{New}{Old}$ New, R:Old $\frac{New}{Old}$ New, S:Old $\frac{New}{Old}$ New, W:Add, Z:Discontinued, F:Interchangeable by set, K:Q'ty Change
 Copyright (C) YANMAR CO., LTD. All Rights Reserved.

Fig.15. STARTING MOTOR

Y06D4550
3TNA72L-UTBZ



(A)=3TNA72L-UTBZ
(B)=
(C)=

(D)=
(E)=
(F)=

No.	Lev.	Parts No.	Description	Qty						I	R
				(A)	(B)	(C)	(D)	(E)	(F)		
1	1	119620-77011	STARTER	1							
2	2	X0280630011	RETAINER	1							
3	2	X0281003751	YOKE ASSY	1							
4	2	X0282001531	ARMATURE ASSY	1							
5	3	X9491001360	BEARING	1							
6	3	X9491001860	BALL BEARING	1							
7	2	X0283005050	CLUTCH, STARTER	1							
8	3	X0280210230	NUT	1							
9	3	X0283270140	RETAINER	1							
10	3	X0283715030	PINION, STARTER	1							
11	3	X0283810040	SHAFT	1							
12	3	X9490721080	RING	1							
13	3	X9491703371	SPRING, COIL	1							
14	3	X9491704260	SPRING	1							
15	3	121120-77930	CASE ASSY, STARTER	1							
16	2	X0283060061	ROLLER	5							
17	2	X0283711420	PINION	1							
18	2	X0284004910	HOUSING, STARTER	1							
19	2	X0285040631	FRAME ASSY	1							
20	2	X0285100460	HOLDER ASSY, BRUSH	1							
21	3	X9491730461	SPRING	4							
22	2	X0534006460	SWITCH, MAGNETIC	1							
23	3	X0534040320	GASKET	1							
24	3	X0534490120	BUSH	1							
25	3	X0534490120	BUSH	1							
26	3	X0534490230	BUSH	1							
27	3	X0534490230	BUSH	1							
28	3	X0535050620	COVER	1							
29	3	X0535130241	PLATE (B)	1							
30	3	X0535130320	PLATE (A)	1							
31	3	X0536600401	PLUNGER	1							
32	3	X9151005141	BOLT W/WASHER	3							
33	3	X9490170900	WASHER	1							
34	3	X9490170900	WASHER	1							
35	3	X9490441303	BOLT	1							
36	3	X9490441312	BOLT	1							
37	3	X9490502820	NUT	1							
38	3	X9490502820	NUT	1							
39	3	X9491402100	O-RING	1							
40	3	X9491402100	O-RING	1							
41	2	X9019008651	NUT	1							
42	2	X9025808001	WASHER	1							
43	2	X9490071810	SCREW W/WASHER	2							
44	2	X9490071970	SCREW W/WASHER	2							
45	2	X9490423330	BOLT W/WASHER	2							
46	2	X9490561370	NUT	1							
47	2	X9491200240	BALL	1							
48	2	X9491703380	SPRING	1							
49	1	26116-120252	BOLT, M12X 25 PLATED	2							
50	1	124160-77020	COVER, TERMINAL	1							
51	1	119643-77900	CONNECTOR, STARTER	1							

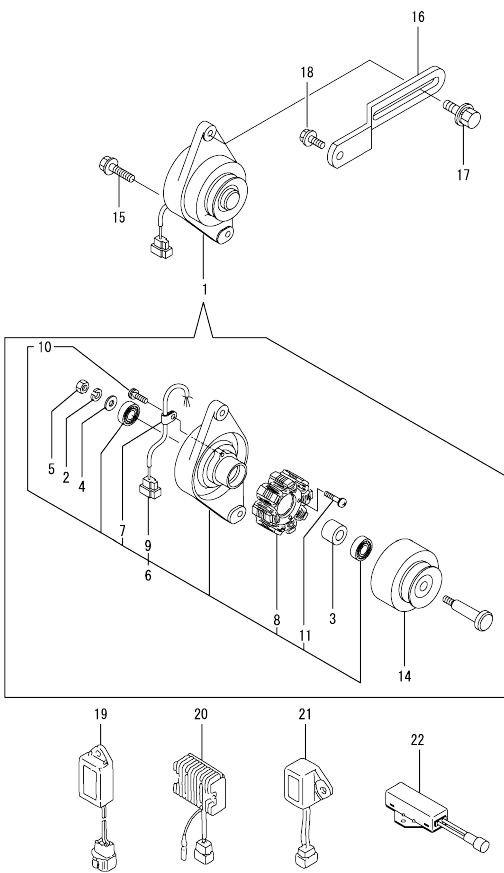
N:Old $\frac{100}{100}$ New. Q:Old $\frac{100}{100}$ New. R:Old $\frac{100}{100}$ New. S:Old $\frac{100}{100}$ New. W:Add. Z:Discontinued. F:Interchangeable by set. K:Qty Change
Copyright (C) YANMAR CO., LTD. All Rights Reserved.

OCD10-M45500 3TNA72L-UTBZ
 Fig.16. GENERATOR

OCD10-M45500 Fig.16

(A)=3TNA72L-UTBZ
 (B)=
 (C)=

(D)=
 (E)=
 (F)=



No.	Lev.	Parts No.	Description	Q'ty						I	R
				(A)	(B)	(C)	(D)	(E)	(F)		
1	1	129150-77202	GENERATOR	1							
2	2	XM219230000	WASHER, SPRING	1							
3	2	XM329830000	COLLAR	1							
4	2	XM860250000	WASHER, 10	1							
5	2	XM863720000	NUT	1							
6	2	129150-77210	PLATE ASSY	1							
7	3	XM069000000	CLAMP	1							
8	3	XM081780000	STATOR	1							
9	3	XM178780000	COUPLER	1							
10	3	XYSPS400800	SCREW	1							
11	3	XYSPS402400	SCREW	2							
14	2	129150-77230	FLYWHEEL ASSY	1							
15	1	26106-100302	BOLT, M10X 30 PLATED	1							
16	1	119660-77330	ADJUSTER	1							
17	1	26014-080252	BOLT, M8X 25	1							
18	1	26106-080162	BOLT, M8X 16 PLATED	1							
19	1	119632-77920	TIMER	1							
20	1	119640-77711	LIMITER, CURRENT	1							
21	1	121522-77721	INDICATOR	1							
22	1	129155-77810	REGISTER	1							

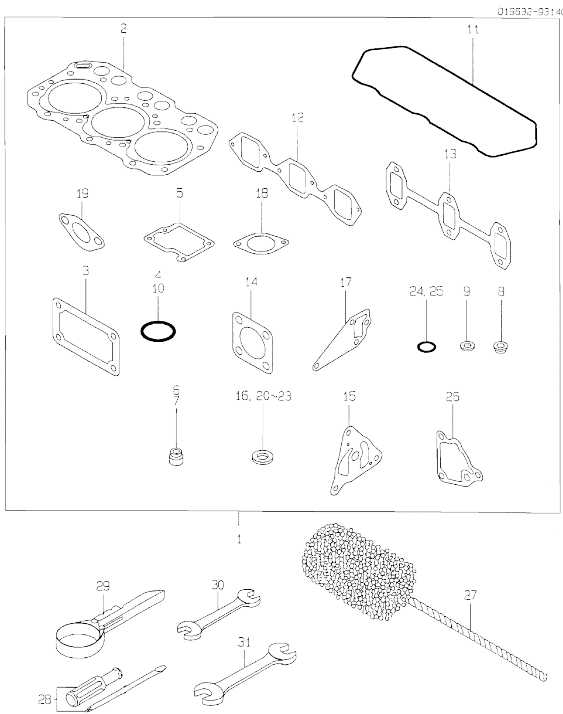
N:Old $\frac{New}{Old}$ New, Q:Old $\frac{New}{Old}$ New, R:Old $\frac{New}{Old}$ New, S:Old $\frac{New}{Old}$ New, W:Add, Z:Discontinued, F:Interchangeable by set, K:Q'ty Change
 Copyright (C) YANMAR CO., LTD. All Rights Reserved.

OCD10-M45500 3TNA72L-UTBZ

Fig.17. GASKET SET(OPTIONAL)

OCD10-M45500 Fig.17

Y0204530
3TNA72L-UTBZ



(A)=3TNA72L-UTBZ
(B)=
(C)=

(D)=
(E)=
(F)=

No.	Lev.	Parts No.	Description	Q'ty						I	R	
				(A)	(B)	(C)	(D)	(E)	(F)			
1	1	719632-92610	GASKET SET	1							1	
1-1	1	719632-92611 (A=E70533)	GASKET SET	1							N	1
2	2	119610-01340	GASKET, HEAD	1								
2-1	2	119620-01342 (A=E84242)	GASKET, HEAD	1								R
3	2	119660-01562	GASKET	1								
4	2	24311-000320	O-RING, 1AP32.0	1								
5	2	119620-03031	GASKET	1								
6	2	124950-11340	SEAL, VALVE STEM	3								
7	2	124160-11340	SEAL, VALVE STEM	3								
8	2	119600-11450	PROTECTOR, NOZZLE	3								
9	2	119600-11460	GASKET, NOZZLE	6								
10	2	24311-000320	O-RING, 1AP32.0	1								
11	2	119620-11310	GASKET, BONNET	1								
12	2	119620-12111	GASKET, MANIFOLD	1								
13	2	119620-13110	GASKET	1								
14	2	124701-11911	GASKET, SILENCER	1								
15	2	119660-32020	GASKET, PUMP	1								
16	2	129150-49360	GASKET	1								
16-1	2	129150-49360 (A=E70724)	GASKET	3								K
17	2	119620-42020	GASKET, WATER PUMP	1								
18	2	129350-49541	GASKET	1								
19	2	121520-01851	GASKET	1								
20	2	124465-44950	GASKET, 16	1								
21	2	104200-59170	GASKET, 12	2								
22	2	23414-140000	GASKET, 14X1.0	3								
23	2	23414-080012	GASKET, 8X1.0	2								
24	2	24311-000120	O-RING, 1AP12.0	4								
25	2	129155-61830	O-RING, S10	3								
25-1	2	129155-51580 (A=E70533)	O-RING	3								N
26	2	119660-35113	GASKET	1								
27	1	129400-92410	FLEX HORN	1								1
28	1	104200-92350	DRIVER, SCREW	1								
29	1	119332-92751	WRENCH, FILTER 68	1								
30	1	28110-100120	SPANNER, 10X12	1								
31	1	28110-140170	SPANNER, 14X17	1								
32	1	977770-01212 (A=FROM 1ST)	GASKET, LIQUID	1								W 1

Remarks
(1) OPTIONAL PART.

N:Old $\frac{100}{100}$ New, Q:Old $\frac{100}{100}$ New, R:Old $\frac{100}{100}$ New, S:Old $\frac{100}{100}$ New, W:Add, Z:Discontinued, F:Interchangeable by set, K:Qty Change
Copyright (C) YANMAR CO., LTD. All Rights Reserved.

Parts No. Index

Parts No.	Fig. No.	Ref. No.
101158-11190	4	22
101304-59020	14	2
101720-55750	14	35
102103-55520	14	13
		30
103954-13200	6	9
103954-13201	6	9 -1
104200-55321	14	9
		26
104200-55330	14	10
		27
104200-55341	14	28
104200-55750	14	20
		36
104200-59170	14	6
		17
		21
104200-92350	17	28
104211-11370	4	25
105010-11230	4	37
		41
105025-59550	13	41
105225-23200	8	31
105546-51330	11	25
110250-55610	14	14
		31
114250-53130	13	8
114250-53400	13	10
119232-13500	6	10
119232-13510	6	11
119232-61510	12	28
119232-61540	12	44
119260-07900	4	5
119260-59520	13	39
119260-59530	13	40
119285-66080	12	53
119285-66500	12	65
119305-35150	9	17
119332-92751	17	29
119600-01050	1	5
119600-01600	3	2
119600-01722	3	15
119600-11450	4	27
		17
		8
119600-11460	4	28
		17
		9
119600-13100	6	1
119600-35081	9	29
119600-61100	12	4
119600-61200	12	5
119600-61540	12	45

Parts No.	Fig. No.	Ref. No.
119600-61900	12	51
119600-66020	12	62
119600-66530	12	70
119600-66840	12	102
119610-01340	1	24
		17
		2
119610-01490	2	14
119610-01590	2	1
119610-66700	12	76
119620-01200	1	23
119620-01342	1	24 -1
		17
		2 -1
119620-01620	3	6
119620-01750	3	4
119620-01800	2	4
119620-01950	2	25
119620-02020	1	6
119620-02410	1	21
119620-02450	7	4
119620-03020	4	51
119620-03031	4	52
		17
		5
119620-11100	4	18
119620-11110	4	19
119620-11120	4	20
119620-11180	4	21
119620-11200	4	30
119620-11240	4	31
119620-11260	4	34
119620-11280	4	35
119620-11310	4	55
		17
		11
119620-11330	4	49
119620-11350	4	46
119620-11390	4	56
119620-11801	4	13
119620-12111	5	2
		17
		12
119620-13110	6	2
		17
		13
119620-14100	7	7
119620-14200	7	1
119620-14400	7	2
119620-14401	7	2 -1
119620-21941	8	10
119620-22090	8	16
119620-22300	8	24
119620-22900	8	34
119620-22920	8	42
119620-22950	8	36

Parts No.	Fig. No.	Ref. No.
119620-22970	8	44
119620-23910	8	29
119620-25102	7	11
119620-25912	7	13
119620-42020	10	13
		17
		17
119620-42320	10	10
119620-51101	11	4
119620-51170	11	7
119620-51180	11	8
119620-51190	11	9
119620-51250	11	10
119620-51300	11	22
119620-51340	11	26
119620-51350	11	27
119620-51370	11	28
119620-51450	11	29
119620-51461	11	30
119620-51510	11	32
119620-51650	11	34
119620-51660	11	35
119620-51670	11	36
119620-51680	11	37
119620-51700	11	38
119620-53000	13	2
119620-53080	13	5
119620-53120	13	7
119620-53140	13	9
119620-59700	13	44
119620-59811	13	23
119620-59821	13	27
119620-59831	13	31
119620-77011	15	1
119620-77820	4	63
119621-21680	8	9
119629-11700	4	9
119629-14580	7	3
119631-34800	9	13
119632-07900	4	6
119632-12211	5	19
119632-12520	5	4
119632-12530	5	6
119632-12551	5	12
119632-12590	5	13
119632-44520	10	35
119632-49020	10	38
119632-55620	14	8
119632-61200	12	14
119632-77920	16	19
119640-01640	3	12 -1

Parts No.	Fig. No.	Ref. No.
119640-12580	5	15
119640-21590	8	12
119640-66051	12	63
119640-77711	16	20
119642-59540	13	37
119642-59550	13	42
119642-59570	13	43
119643-77900	15	51
119645-12100	5	1
119650-59200	14	7
119656-42291	10	15
119656-66910	12	103
119660-01510	2	17
119660-01551	2	20
119660-01562	2	21
		17
		3
119660-01570	2	22
119660-01640	3	7
119660-01821	7	17
119660-01911	2	5
119660-21201	8	5
119660-21651	8	8
119660-25022	7	9
119660-25052	7	10
119660-32001	9	1
119660-32020	9	11
		17
		15
119660-35102	9	15
119660-35113	9	16
		17
		26
119660-35300	9	18
119660-42004	10	1
119660-42350	10	16
119660-51500	11	31
119660-51530	11	33
119660-61052	12	18
119660-61060	12	2
119660-61071	12	3
119660-61121	12	11
119660-61140	12	12
119660-61150	12	13
119660-61300	12	9
119660-61341	12	10
119660-61460	12	19
119660-61491	12	27
119660-61651	12	46
119660-61901	12	52
119660-77330	16	16
119688-49010	10	37
119810-55340	14	11

Parts No. Index

Parts No.	Fig. No.	Ref. No.
119840-59601	13	48
119840-61870	12	60
119865-21600	8	15
121023-01550	2	32
121024-12660	5	7
121111-21501	8	11
121120-01620	3	3
121120-77930	15	15
121250-44901	10	24
121250-49121	10	42
121250-55620	14	15
121250-59080	13	36
121254-55510	14	12
121257-55720	14	32
121257-55731	14	33
121262-12800	5	11
121450-01560	2	18
121450-44531	10	30
121450-44740	10	17
121450-49110	10	40
121465-12510	5	5
121465-12700	5	10
121468-44510	10	28
121468-44540	10	31
121470-44581	10	33
121520-01851	2	23
	17	19
121520-01860	2	24
121520-34810	9	14
121522-77721	16	21
121550-49111	1	25
121575-66830	12	101
121850-11860	4	15
123682-44210	10	36
124064-12680	5	8
124064-12690	5	9
124064-55510	14	29
124066-59100	13	38
	14	22
124085-02220	3	9
124160-01751	2	12
	4	66
124160-11340	4	23
	17	7
124160-11360	4	60
124160-39450	9	32
124160-77020	15	50
124450-44560	10	32
124465-44950	10	25
	17	20

Parts No.	Fig. No.	Ref. No.
124550-55700	14	17
124550-59820	13	45
124550-66370	12	64
124574-44761	10	18
124701-11911	6	8
	17	14
124766-59050	13	35
	14	3
		5
124767-59031	14	1
124772-66750	12	100
124950-11340	4	24
	17	6
129100-01580	3	1
	8	2
129100-61930	12	61
129107-44590	10	36 -1
129150-35350	9	26
129150-49360	10	27
		27 -1
	17	16
		16 -1
129150-59120	13	18
129150-59130	13	21
129150-59131	13	21 -1
129150-59580	14	23
129150-77202	16	1
129150-77210	16	6
129150-77230	16	14
129155-51280	12	15
129155-51580	13	17 -1
	17	25 -1
129155-61480	12	22
129155-61830	13	17
	17	25
129155-77801	4	62
129155-77810	16	22
129322-77401	14	40
129335-55700	14	25
129350-49530	10	20
129350-49541	10	21
	17	18
129350-49800	10	22
129400-92410	17	27
135210-61090	12	112
171056-49351	10	26
171081-55910	14	37
171301-01640	3	12
174307-51700	12	29
194990-22050	2	29

Parts No.	Fig. No.	Ref. No.
194990-22050	6	3
		4
	12	1
22117-040000	12	47
22137-040000	11	43
22190-060003	12	110 -1
22190-120002	12	111 -1
22190-220002	3	14 -1
22217-040000	11	44
22217-050000	4	57
22242-000120	4	44
22242-000200	7	15
22252-000210	8	25
22272-000040	12	48
22351-020004	12	49
22351-030014	12	50
22351-040010	2	19
	12	57
22351-060012	4	29
22360-040000	12	104
22360-060000	12	105
22451-060000	12	113
22512-040120	7	8
		22
	8	6
23000-060000	5	16
		20
23010-038000	10	39
23065-070130	10	34
23065-120500	4	1
23414-080012	13	46
	17	23
23414-140000	13	47
	17	22
23418-060000	14	38
23871-010000	1	11
23871-030000	10	11
24101-062034	7	24
24102-063034	7	23
24311-000120	2	6
	4	61
	9	30
	17	24
24311-000160	9	27
	10	43
24311-000320	2	13
	4	67
	17	4
		10
24311-240100	14	21

Parts No.	Fig. No.	Ref. No.
24311-240100	14	39
24341-000070	12	58
24341-000240	2	33
	3	14
24341-000280	12	67
26014-060252	10	19
26014-080202	5	17
26014-080252	16	17
26014-080702	14	24
26022-040082	11	45
26106-060102	9	31
	12	59
26106-060122	1	22
	3	17
	4	7
	7	16
26106-060162	2	7
		30
	7	25
	12	68
26106-060182	2	34
26106-060202	5	3
26106-060222	3	10
26106-060302	2	8
26106-060452	3	18
26106-060602	2	9
		10
26106-060702	12	106
26106-060802	2	11
26106-060952	12	69
26106-080142	4	8
26106-080162	16	18
26106-080202	9	28
	10	23
26106-080402	6	5
26106-080452	4	47
	10	14
26106-100302	16	15
26116-050102	12	107
26116-060304	12	108
26116-120252	15	49
26206-100252	3	5
26216-080222	6	6
26216-080552	6	7
26366-060002	2	31
26366-080002	4	48
	5	18
26450-060202	9	12
26557-050102	4	59
26587-040102	11	46

Parts No. Index

Parts No.	Fig. No.	Ref. No.
26587-080102	7	26
26756-060002	4	39
		43
	12	109
26979-050162	4	45
27221-050080	4	16
27231-450000	1	12
27241-120000	1	13
27241-300000	1	14
27241-400000	4	17
28110-100120	17	30
28110-140170	17	31
43400-500400	12	110
43400-500450	12	111
719610-01561	1	1
719620-02800	1	15
719620-02870	1	26
719620-02930	1	18
719620-11650	4	36
719620-11660	4	40
719620-22500	8	18
719620-23100	8	26
719620-23600	8	32
719620-23610	8	50
719620-53100	13	1
719621-51100	11	1
719631-01540	3	11
719632-92610	17	1
719632-92611	17	1 -1
719660-14590	7	18
719660-21700	8	1
977770-01212	17	32
X0280210230	15	8
X0280630011	15	2
X0281003751	15	3
X0282001531	15	4
X0283005050	15	7
X0283060061	15	16
X0283270140	15	9
X0283711420	15	17
X0283715030	15	10
X0283810040	15	11
X0284004910	15	18
X0285040631	15	19
X0285100460	15	20
X0534006460	15	22
X0534040320	15	23
X0534490120	15	24
		25
X0534490230	15	26

Parts No.	Fig. No.	Ref. No.
X0534490230	15	27
X0535050620	15	28
X0535130241	15	29
X0535130320	15	30
X0536600401	15	31
X9019008651	15	41
X9025808001	15	42
X9151005141	15	32
X9490071810	15	43
X9490071970	15	44
X9490170900	15	33
		34
X9490423330	15	45
X9490441303	15	35
X9490441312	15	36
X9490502820	15	37
		38
X9490561370	15	46
X9490721080	15	12
X9491001360	15	5
X9491001860	15	6
X9491200240	15	47
X9491402100	15	39
		40
X9491703371	15	13
X9491703380	15	48
X9491704260	15	14
X9491730461	15	21
XM069000000	16	7
XM081780000	16	8
XM178780000	16	9
XM219230000	16	2
XM329830000	16	3
XM860250000	16	4
XM863720000	16	5
XYSPS400800	16	10
XYSPS402400	16	11

Parts No.	Fig. No.	Ref. No.
-----------	----------	----------

Parts No.	Fig. No.	Ref. No.
-----------	----------	----------