

0CD10-M49300EN

# PREFACE

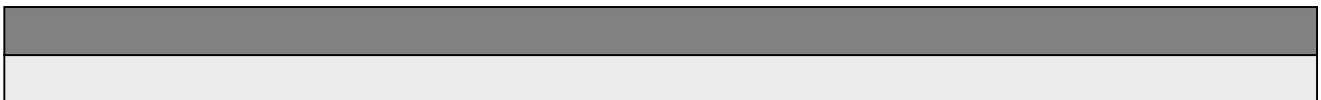
1. This Parts Catalog is the 1st edition of 3TNA72L-UDW2 Diesel Engine for DENYO.

Pub. No. : 000Y00D4930

Published : February, 1994

2. Model name

Engine model	Vehicle		Vehicle made by
	Products	Model name	
3TNA72L-UDW2	GENERATOR/WELDER	—	DENYO



## Directions for the Parts Catalog.

1. This Parts Catalog shows both standard and optional parts.
2. Parts may change without prior notice.
3. The following is an example of the Parts Catalog format.

REF.	LEV.	PARTS NO.	DESCRIPTION	Q'TY						I	R
				(A)	(B)	(C)	(D)	(E)	(F)		
1	1	729595-51390	FUEL INJECTION PUMP	1	1	1	1	1			1
1-1	1	729595-51391	FUEL INJECTION PUMP	1	1	1	1	1		N	1
		(A=E00185) (B=E00200)									
3	2	26022-060162	SCREW M 6X 16	9	9	9	9	9			
3-1	2	26022-060162	SCREW M 6X 16	4	4	4	4	4		K	
		(A=E00156) (B=E00156) (C=E00156) (D=E00156) (E=E00156)									
4	2	129470-51040	CAMSHAFT	1	1	1	1	1			
5	2	122710-51050	BEARING, ROLLER	2	2	2	2	2			
6	2	129470-51060	RETAINER	1	1	1	1	1			

Remarks
(1) BOOST COMPEMSATOR TYPE. OPTIONAL PART, TO E00155,(4JH-DT, 4JH-DTZ

### ① Ref. No.

The Ref. No. listed may not be in accordance with the illustration Ref. No.

(Ex.) Illustration No.

List Ref No.

1 1 (Before change) → 1-1 (After change)

For interchangeable symbols N, R and K, illustrations for new parts may be abbreviated.

### ② Lev. (Level)

Level indication

The numbers below indicate the level of relativity towards the main part.

1 ---- Main parts (Assembly parts)

2 ---- Sub component included in " 1 ".

3 ---- Sub component included in " 2 ".

Note) Parts that are not for sale are partially illustrated but not listed.

### ③ Interchangeability Symbol

When a part change takes place, one of the following interchangeability symbols is indicated beside the part.

Symbol	Interchangeability	Contents note
N	Old $\begin{matrix} \leftarrow \text{Yes} \\ \text{No} \rightarrow \end{matrix}$ New	New Part is interchangeable for Old Part but Old Part is not interchangeable for New Part.
Q	Old $\begin{matrix} \leftarrow \text{No} \\ \text{Yes} \rightarrow \end{matrix}$ New	New Part is not interchangeable for Old Part but Old Part is interchangeable for New Part.
R	Old $\begin{matrix} \leftarrow \text{Yes} \\ \text{Yes} \rightarrow \end{matrix}$ New	New/ Old Parts are both interchangeable.
S	Old $\begin{matrix} \leftarrow \text{No} \\ \text{No} \rightarrow \end{matrix}$ New	New/ Old Parts are both not interchangeable.
W		Part newly added.
Z		Part discontinued.
F		Not interchangeable by a single part but interchangeable together with related parts.
K		Changes only for used parts quantities.

### ④ Effective Machine No.

When a part changes, the effective Machine No. will be indicated in the (A)-(F) column.

Product Symbol	Product No.	Product Symbol	Product No.
C	Clutch No. Compressor No.	F	Machine No. (Agricultural Equip.)
D	Drive No.	M	Machine No.
E	Engine No.		

Note 1) A date may follow the symbol. (Ex.) 1996.01

Note 2) "XXXXX" and "ZZZZZ" are for parts that could not be predicted or for engine models that could not be identified.

Note 3) (A=E00185) is the E (Engine Serial Number) for the column (A) model (in this case 4JH-DT) after the parts design change.

### ⑤ Remarks

Figures or alphabets (symbols) are entered in the remarks column.

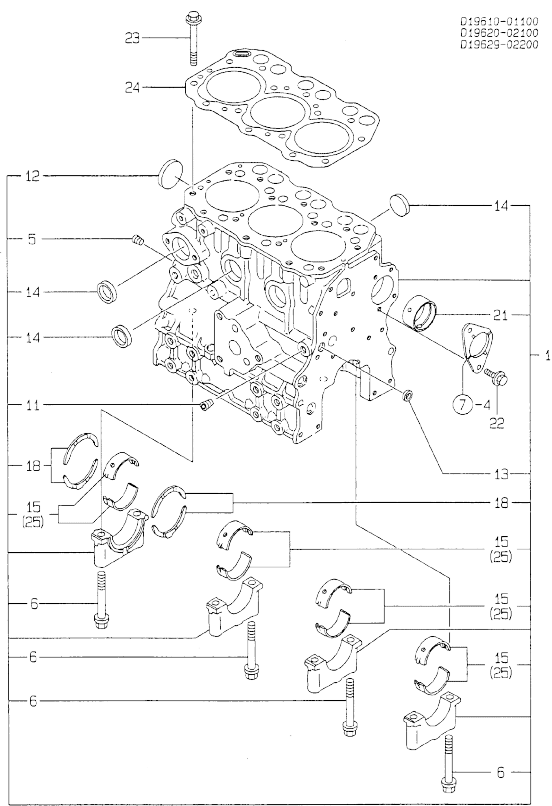
The comments (remarks) on parts that are indicated at the bottom of the illustration are the same symbols as those stated above.

## Contents

Fig. No.	Fig. Name	Fig. No.	Fig. Name
3TNA72L-UDW2			
1.	CYLINDER BLOCK		
2.	GEAR HOUSING		
3.	MOUMTING FLANGE & OIL SUMP		
4.	CYLINDER HEAD & BONNET		
5.	SUCTION MANIFOLD & AIR CLEANER		
6.	EXHAUST MANIFOLD		
7.	CAMSHAFT & DRIVING GEAR		
8.	CRANKSHAFT & PISTON		
9.	LUB.OIL SYSTEM		
10.	COOLING WATER SYSTEM		
11.	FUEL INJECTION PUMP		
12.	GOVERNOR		
13.	FUEL INJECTION VALVE		
14.	F.O.INJECTION DEVICE		
15.	ENGINE STOP DEVICE		
16.	STARTING MOTOR		
17.	GENERATOR		
18.	GASKET SET		

OCD10-M49300

Fig.1. CYLINDER BLOCK



019610-01100  
019620-02100  
019629-02200

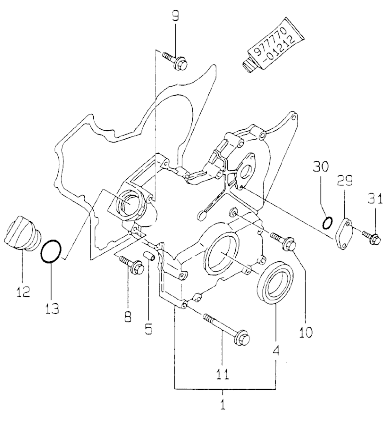
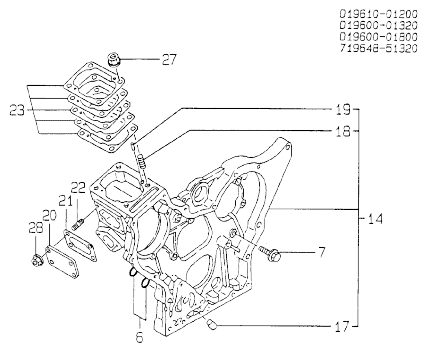
No.	Lev.	Parts No.	Description	Q'ty						I	R
				(A)	(B)	(C)	(D)	(E)	(F)		
1	1	719610-01561	BLOCK ASSY, CYLINDER	1							
5	2	119600-01050	PLUG, PT1/4	1							
6	2	119620-02020	BOLT, METAL CAP	8							
11	2	23871-010000	PLUG, R01	1							
12	2	27231-450000	PLUG 45	1							
13	2	27241-120000	PLUG, 12	1							
14	2	27241-300000	PLUG 30	6							
15	2	719620-02800	BEARING, MAIN	4							
18	2	719620-02930	BEARING, THRUST	2							
21	2	119620-02410	BUSH, CAMSHAFT	1							
22	1	26106-060122	BOLT, M6X 12 PLATED	2							
23	1	119620-01200	BOLT, HEAD	14							
24	1	119620-01342	GASKET, HEAD	1							G
25	1	719620-02870	BEARING, 0.25 US	4							1

Remarks  
(1) UNDER-SIZE(U.S=0.25)PART.  
(G) THESE PARTS ARE SOLD BY FIG.18,  
REF.NO.1.

N:Old  $\frac{100}{100}$  New, Q:Old  $\frac{100}{100}$  New, R:Old  $\frac{100}{100}$  New, S:Old  $\frac{100}{100}$  New, W:Add, Z:Discontinued, F:Interchangeable by set, K:Q'ty Change  
Copyright (C) YANMAR CO., LTD. All Rights Reserved.

OCD10-M49300

Fig.2. GEAR HOUSING



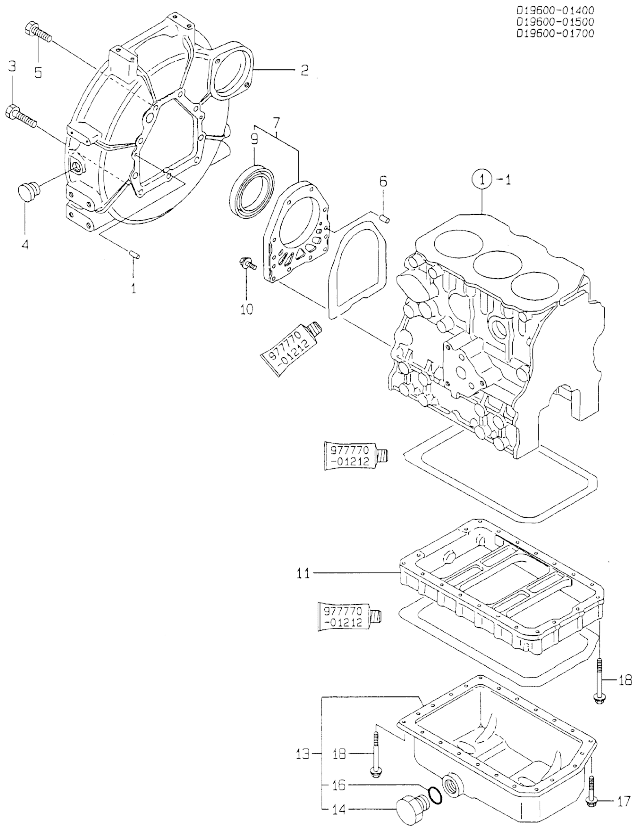
No.	Lev.	Parts No.	Description	Q'ty						I	R
				(A)	(B)	(C)	(D)	(E)	(F)		
1	1	119610-01590	COVER ASSY,GEAR CASE	1							
4	2	119620-01800	SEAL, OIL	1							
5	1	119660-01911	PIPE, KNOCK	4							
6	1	24311-000120	O-RING, 1AP12.0	2							G
7	1	26106-060162	BOLT, M6X 16 PLATED	7							
8	1	26106-060302	BOLT, M6X 30 PLATED	8							
9	1	26106-060602	BOLT, M6X 60 PLATED	1							
10	1	26106-060602	BOLT, M6X 60 PLATED	3							
11	1	26106-060802	BOLT, M6X 80 PLATED	6							
12	1	124160-01751	COVER, FILLER	1							
13	1	24311-000320	O-RING, 1AP32.0	1							G
14	1	119610-01490	CASE ASSY, GEAR	1							
17	2	119660-01510	PLUG, 10X14	1							
18	2	121450-01560	STUD, M8X22	4							
19	2	22351-040010	PIN, SPRING 4.0X10	2							
20	1	119660-01551	COVER	1							
21	1	119660-01562	GASKET	1							G
22	1	119660-01570	STUD, M6X12	4							
23	1	119620-01950	SHIM SET, ADJUSTING	1							
23-1	1	119623-01950	SHIM SET, ADJUSTING	1							N
(A=1995.03)											
27	1	194990-22050	NUT, M8	4							
28	1	26366-060002	NUT, M6	4							
29	1	121023-01550	COVER	1							
30	1	24341-000240	O-RING, 1AS24.0	1							G
31	1	26106-060182	BOLT, M6X 18 PLATED	2							
32	1	977770-01212	GASKET, LIQUID	1							W 1
(A=EXXX)											

Remarks  
 (G) THESE PARTS ARE SOLD BY FIG.18,  
 REF.NO.1.  
 (1) OPTIONAL PART.

N:Old  $\frac{100}{100}$  New, Q:Old  $\frac{100}{100}$  New, R:Old  $\frac{100}{100}$  New, S:Old  $\frac{100}{100}$  New, W:Add, Z:Discontinued, F:Interchangeable by set, K:Qty Change  
 Copyright (C) YANMAR CO., LTD. All Rights Reserved.

OCD10-M49300

Fig.3. MOUNTING FLANGE & OIL SUMP



No.	Lev.	Parts No.	Description	Q'ty						I	R
				(A)	(B)	(C)	(D)	(E)	(F)		
1	1	129100-01580	PIN, M8X16	2							
2	1	119600-01600	HOUSING, FLYWHEEL	1							
3	1	121120-01620	BOLT, M10X28	3							
4	1	119620-01750	CAP	1							
5	1	26206-100252	BOLT, M10X 25 PLATED	6							
6	1	119620-01620	PIN, M6X10	2							
7	1	119660-01640	CASE ASSY, OIL SEAL	1							
9	2	124085-02220	SEAL, OIL	1							
10	1	26106-060222	BOLT, M6X 22 PLATED	10							
11	1	119600-01722	SPACER, OIL SUMP	1							
13	1	119600-01770	SUMP ASSY, OIL	1							
14	2	171301-01640	PLUG, 22	1							
14-1	2	119640-01640	PLUG, DRAIN M22	2							S
		(A=1994.05)									
14-2	2	171301-01640	PLUG, 22	2							S
		(A=1994.11)									
16	2	24341-000240	O-RING, 1AS24.0	1							G
16-1	2	22190-220002	WASHER, SEAL 22	2							S G
		(A=1994.05)									
16-2	2	24341-000250	O-RING, 1AS25.0	2							S G
		(A=1994.11)									
17	1	26106-060122	BOLT, M6X 12 PLATED	3							
18	1	26106-060452	BOLT, M6X 45 PLATED	20							
19	1	97770-01212	GASKET, LIQUID	1							W 1
		(A=EXXX)									

Remarks  
 (G) THESE PARTS ARE SOLD BY FIG.18,  
 REF.NO.1.  
 (1) OPTIONAL PART.

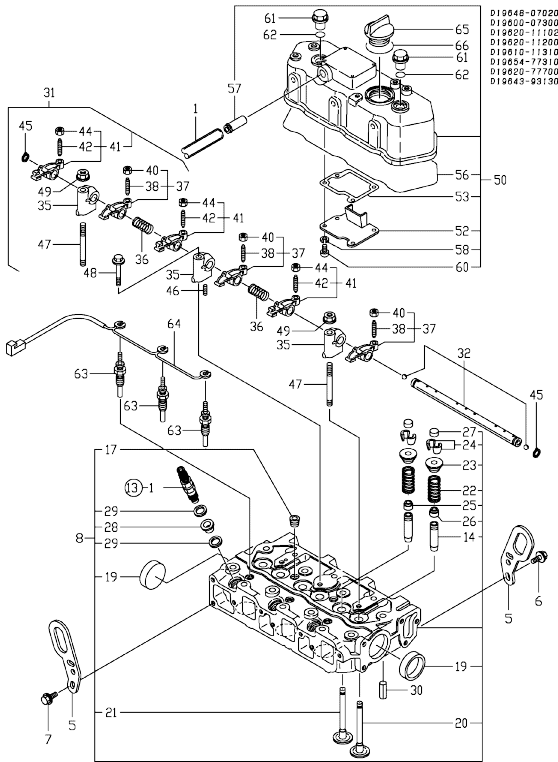
N:Old  $\frac{New}{Old}$  New, Q:Old  $\frac{New}{Old}$  New, R:Old  $\frac{New}{Old}$  New, S:Old  $\frac{New}{Old}$  New, W:Add, Z:Discontinued, F:Interchangeable by set, K:Q'ty Change  
 Copyright (C) YANMAR CO., LTD. All Rights Reserved.

OCD10-M49300

Fig.4. CYLINDER HEAD & BONNET

Y0004930  
37NA72L-UDW2

4 シリンダヘッド & ボンネット  
CYLINDER HEAD & BONNET



Remarks

- (1) REPAIR PART.
- (G) THESE PARTS ARE SOLD BY FIG.18, REF.NO.1.

(A)=3TNA72L-UDW2  
(B)=  
(C)=

(D)=  
(E)=  
(F)=

No.	Lev.	Parts No.	Description	Q'ty						I	R
				(A)	(B)	(C)	(D)	(E)	(F)		
1	1	23065-120550	PIPE, 12X 550	1							
5	1	119260-07900	LIFTER	2							
6	1	26106-080142	BOLT, M8X 14 PLATED	1							
7	1	26106-080142	BOLT, M8X 14 PLATED	2							
8	1	719620-11701	HEAD ASSY, CYLINDER	1							1
14	2	119620-11801	GUIDE, VALVE	6							
17	2	121850-11860	PLUG, PT1/4	2							
19	2	27241-400000	PLUG, 40	2							
20	2	119620-11100	VALVE, INTAKE	3							
21	2	119620-11110	VALVE, EXHAUST	3							
22	2	119620-11120	SPRING, VALVE	6							
23	2	119620-11180	RETAINER, SPRING	6							
24	2	101158-11190	COTTER	6							
24-1	2	27310-070001	COTTER, 7	6							N
(A=EXXXXX)											
25	2	124160-11340	SEAL, VALVE STEM	3							G
26	2	124950-11340	SEAL, VALVE STEM	3							G
27	2	104211-11370	CAP, VALVE	6							
28	2	119600-11450	PROTECTOR, NOZZLE	3							G
29	2	119600-11460	GASKET, NOZZLE	6							G
30	1	22351-060012	PIN, SPRING 6.0X12	2							
31	1	119620-11200	SUPPORT ASSY, ARM	1							
32	2	119620-11240	SHAFT ASSY, ROCKER	1							
35	2	119620-11260	SUPPORT, ROCKER ARM	3							
36	2	119620-11280	SPRING	2							
37	2	719620-11650	ARM ASSY, ROCKER	3							
38	3	105010-11230	SCREW, VALVE ADJUST	3							
40	3	26756-060002	NUT, LOCK M6	3							
41	2	719620-11660	ARM ASSY, ROCKER	3							
42	3	105010-11230	SCREW, VALVE ADJUST	3							
44	3	26756-060002	NUT, LOCK M6	3							
45	2	22242-000120	RING, 12	2							
46	2	26979-050162	SCREW, M5X16	1							
47	1	119620-11350	STUD	2							
48	1	26106-080452	BOLT, M8X 45 PLATED	1							
49	1	26366-080002	NUT, M8	2							
50	1	119620-11330	BONNET ASSY, HEAD	1							
52	2	119620-03020	PLATE, SHELTER	1							
53	2	119620-03031	GASKET	1							G
56	2	119620-11310	GASKET, BONNET	1							
57	2	119620-11390	JOINT	1							G
58	2	22217-050000	WASHER, SPRING 5	4							
60	2	26557-050102	SCREW, M5X10	4							
61	1	124160-11360	KNOB	2							
62	1	24311-000120	O-RING, 1AP12.0	2							G
63	1	129795-77800	PLUG, GLOW	3							
64	1	119620-77820	CONNECTOR, GLOW PLUG	1							
65	1	124160-01751	COVER, FILLER	1							
66	1	24311-000320	O-RING, 1AP32.0	1							



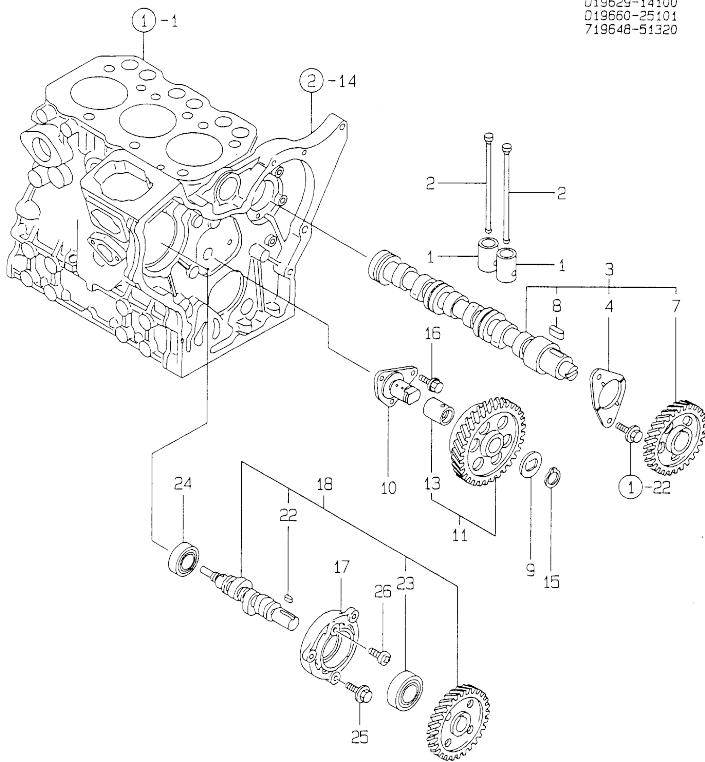




OCD10-M49300

Fig.7. CAMSHAFT & DRIVING GEAR

D19629-14100  
 D19660-25101  
 719648-51320



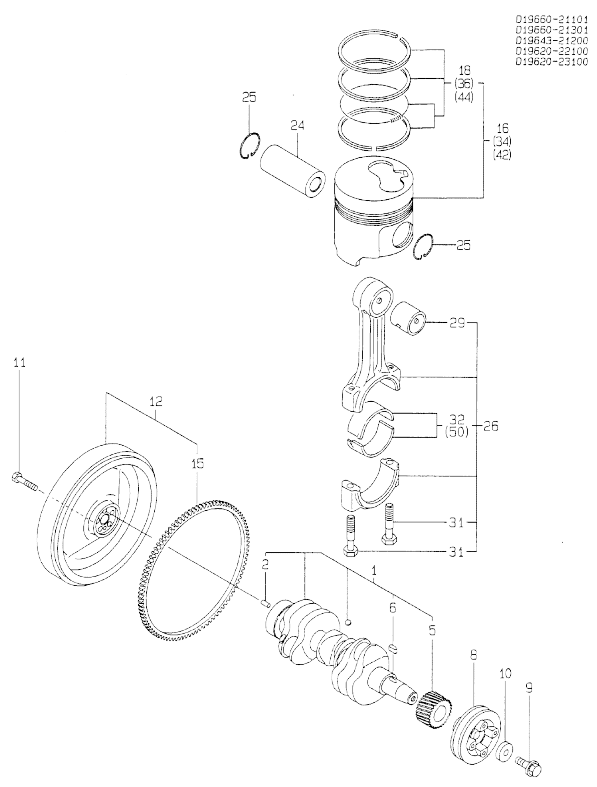
No.	Lev.	Parts No.	Description	Q'ty						I	R
				(A)	(B)	(C)	(D)	(E)	(F)		
1	1	119620-14200	TAPPET	6							
2	1	119620-14401	ROD, PUSH	6							
3	1	119629-14580	CAMSHAFT ASSY	1							
4	2	119620-02450	BEARING, THRUST	1							
7	2	119620-14100	GEAR, CAMSHAFT	1							
8	2	22512-040120	KEY, 4X 12	1							
9	1	119660-25022	RETAINER	1							
10	1	119660-25052	SHAFT, IDLE	1							
11	1	119620-25102	GEAR ASSY, IDLE	1							
13	2	119620-25912	BUSH	1							1
15	1	22242-000200	RING, 20	1							
16	1	26106-060122	BOLT, M6X 12 PLATED	3							
17	1	119660-01821	BEARING, FUEL CAM	1							
18	1	719660-14590	CAMSHAFT	1							
22	2	22512-040120	KEY, 4X 12	1							
23	2	24102-063034	BEARING, BALL 6303U	1							
24	1	24101-062034	BEARING, BALL 6203	1							
25	1	26106-060162	BOLT, M6X 16 PLATED	3							
26	1	26587-080102	SCREW, M8X10	1							

Remarks  
 (1) REPAIR PART.

N:Old  $\frac{New}{Old}$  New, Q:Old  $\frac{New}{Old}$  New, R:Old  $\frac{New}{Old}$  New, S:Old  $\frac{New}{Old}$  New, W:Add, Z:Discontinued, F:Interchangeable by set, K:Qty Change  
 Copyright (C) YANMAR CO., LTD. All Rights Reserved.

OCD10-M49300

Fig.8. CRANKSHAFT & PISTON



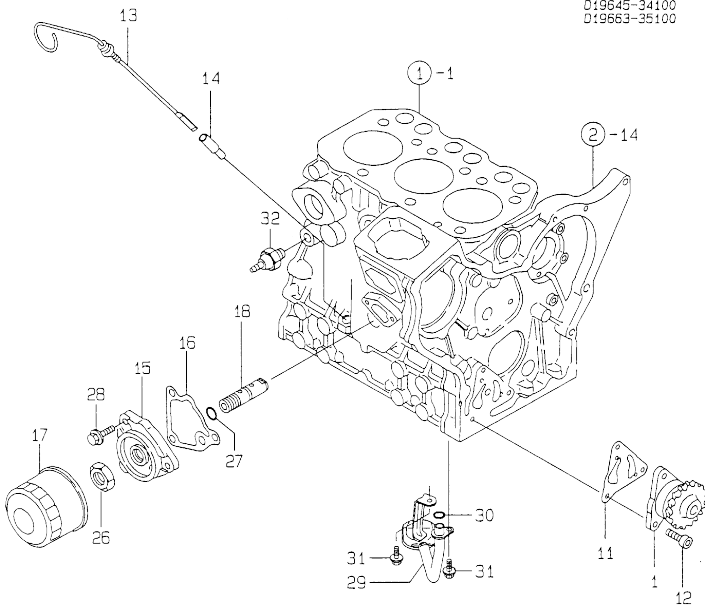
No.	Lev.	Parts No.	Description	Q'ty						I	R
				(A)	(B)	(C)	(D)	(E)	(F)		
1	1	719660-21700	CRANKSHAFT ASSY	1							
1-1	1	119660-21710	CRANKSHAFT ASSY	1							N
(A=1994.05)											
2	2	129100-01580	PIN, M8X16	1							
5	2	119660-21201	GEAR, CRANKSHAFT	1							
5-1	2	119644-21200	GEAR, CRANKSHAFT	1							R
(A=1995.07)											
6	2	22512-040120	KEY, 4X 12	1							
8	1	119660-21651	V-PULLEY	1							
9	1	119621-21680	BOLT, FLANGE 12X1.25	1							
10	1	119620-21941	WASHER	1							
11	1	121111-21501	BOLT, FLYWHEEL	5							
12	1	119643-21590	FLYWHEEL ASSY	1							
15	2	119865-21600	GEAR, RING	1							
16	1	119620-22090	PISTON ASSY	3							
16-1	1	119620-22080	PISTON ASSY, D.K.SD	3							S 5
(A=E81046)											
18	2	719620-22500	RING SET, PISTON	3							
18-1	2	119620-22500	RING SET, PISTON	3							S 5
(A=E81046)											
24	1	119620-22300	PIN, PISTON	3							
25	1	22252-000210	RING, 21	6							
26	1	719620-23100	ROD ASSY, CONNECTING	3							
29	2	119620-23910	BEARING, PISTON PIN	3							1
31	2	105225-23200	BOLT, CONNECTING ROD	6							
32	2	719620-23600	BEARING, CRANK PIN	3							
34	1	119620-22900	PISTON ASSY, 0.25 OS	3							2
36	2	119620-22950	RING SET, 0.25 OS	3							2
42	1	119620-22920	PISTON ASSY, 0.50 OS	3							3
44	2	119620-22970	RING SET, 0.50 OS	3							3
50	1	719620-23610	BEARING ASSY, 0.25	3							4

Remarks  
 (1) REPAIR PART.  
 (2) OVER-SIZE(O.S=0.25)PART.  
 (3) OVER-SIZE(O.S=0.50)PART.  
 (4) UNDER-SIZE(U.S=0.25)PART.  
 (5) RING SET(719620-22500 & 119620-22500) IS NOT SOLD. THIS PARTS CATALOG ONLY.

OCD10-M49300

Fig.9. LUB.OIL SYSTEM

019560-32100  
 019500-38100  
 019600-35200  
 019645-34100  
 019663-35100



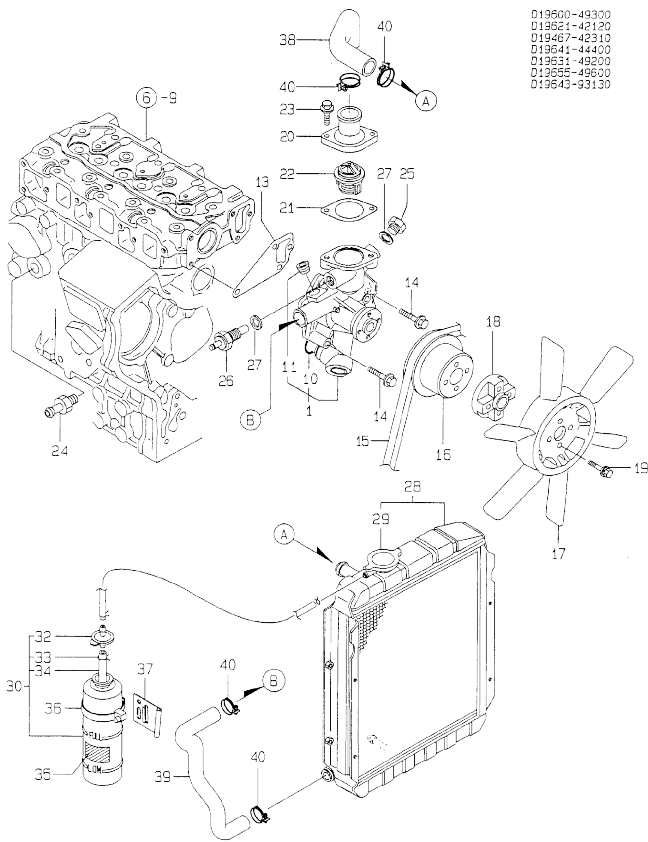
No.	Lev.	Parts No.	Description	Q'ty						I	R
				(A)	(B)	(C)	(D)	(E)	(F)		
1	1	119660-32001	PUMP ASSY, OIL	1							
11	1	119660-32020	GASKET, PUMP	1							G
12	1	26450-060202	BOLT, M6X 20	3							
13	1	119645-34800	DIPSTICK, OIL	1							
14	1	121520-34810	GUIDE, DIPSTICK	1							
15	1	119660-35102	BRACKET, FILTER	1							
16	1	119660-35113	GASKET	1							G
17	1	119305-35150	FILTER, OIL	1							
18	1	119660-35300	VALVE ASSY, CONTROL	1							
26	1	129150-35350	NUT	1							
27	1	24311-000160	O-RING, 1AP16.0	1							
28	1	26106-080202	BOLT, M8X 20 PLATED	3							
29	1	119600-35091	PIPE ASSY, OIL INLET	1							
30	1	24311-000120	O-RING, 1AP12.0	1							
31	1	26106-060102	BOLT, M6X 10 PLATED	2							
32	1	124160-39450	SWITCH, 0.5KG	1							

Remarks  
 (G) THESE PARTS ARE SOLD BY FIG.18,  
 REF.NO.1.

N:Old  $\frac{100}{100}$  New, Q:Old  $\frac{100}{100}$  New, R:Old  $\frac{100}{100}$  New, S:Old  $\frac{100}{100}$  New, W:Add, Z:Discontinued, F:Interchangeable by set, K:Q'ty Change  
 Copyright (C) YANMAR CO., LTD. All Rights Reserved.

OCD10-M49300

Fig.10. COOLING WATER SYSTEM



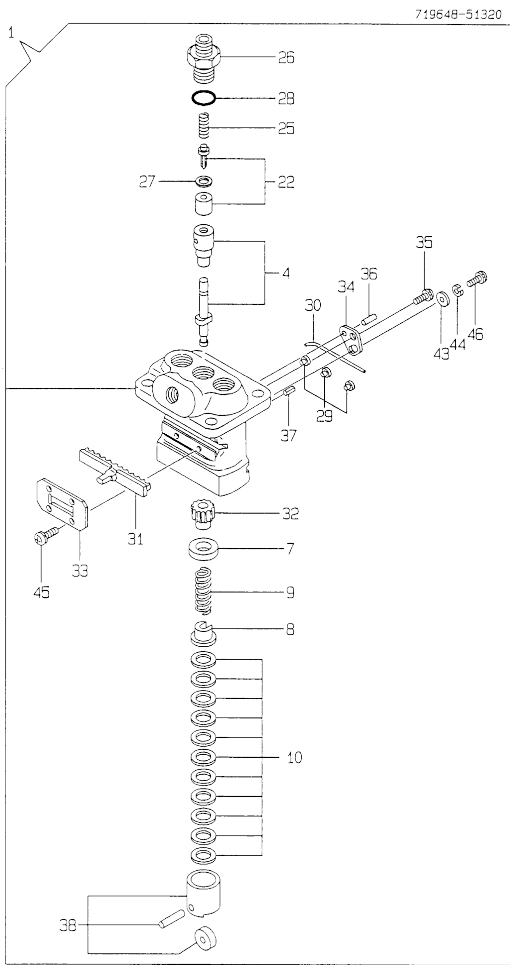
No.	Lev.	Parts No.	Description	Q'ty						I	R
				(A)	(B)	(C)	(D)	(E)	(F)		
1	1	119660-42004	PUMP ASSY, WATER	1							
1-1	1	119660-42005	PUMP ASSY, WATER	1							N
		(A=1996.06)									
10	2	119620-42320	O-RING	1							
11	2	23871-030000	PLUG, R03	1							
13	1	119620-42020	GASKET, WATER PUMP	1							G
14	1	26106-080452	BOLT, M8X 45 PLATED	4							
15	1	119650-42291	V-BELT, 35	1							
16	1	119660-42350	V-PULLEY	1							
17	1	119620-44741	FAN, COOLING D310	1							
18	1	124574-44761	SPACER, FAN	1							
19	1	26014-060252	BOLT, M6X 25	4							
20	1	129350-49530	COVER, THERMOSTAT	1							
21	1	129350-49541	GASKET	1							G
22	1	129350-49800	THERMOSTAT, 71	1							
23	1	26106-080202	BOLT, M8X 20 PLATED	2							
24	1	121550-49111	JOINT, PT1/4	1							
25	1	121450-42450	PLUG, M16	1							
26	1	121250-44901	SWITCH, 110	1							
27	1	124465-44950	GASKET, 16	2							G
28	1	171002-44502	RADIATOR	1							
29	2	123682-44210	CAP, RADIATOR	1							
30	1	124450-44510	TANK ASSY, SUB	1							
32	2	124450-44530	CAP	1							
33	2	124450-44560	RETAINER	1							
34	2	23061-070230	PIPE, 7X 230	1							
35	1	121470-44540	LABEL, SUB-TANK	1							
36	1	124450-44550	BAND	1							
37	1	121256-44600	BRACKET, SUB TANK	1							
38	1	119645-49010	PIPE, WATER	1							
39	1	119645-49020	PIPE, WATER	1							
40	1	23010-038000	CLAMP, 38	4							

Remarks  
(G) THESE PARTS ARE SOLD BY FIG.18,  
REF.NO.1.

N:Old  $\frac{New}{Old}$  New, Q:Old  $\frac{New}{Old}$  New, R:Old  $\frac{New}{Old}$  New, S:Old  $\frac{New}{Old}$  New, W:Add, Z:Discontinued, F:Interchangeable by set, K:Q'ty Change  
Copyright (C) YANMAR CO., LTD. All Rights Reserved.

OCD10-M49300

Fig.11. FUEL INJECTION PUMP

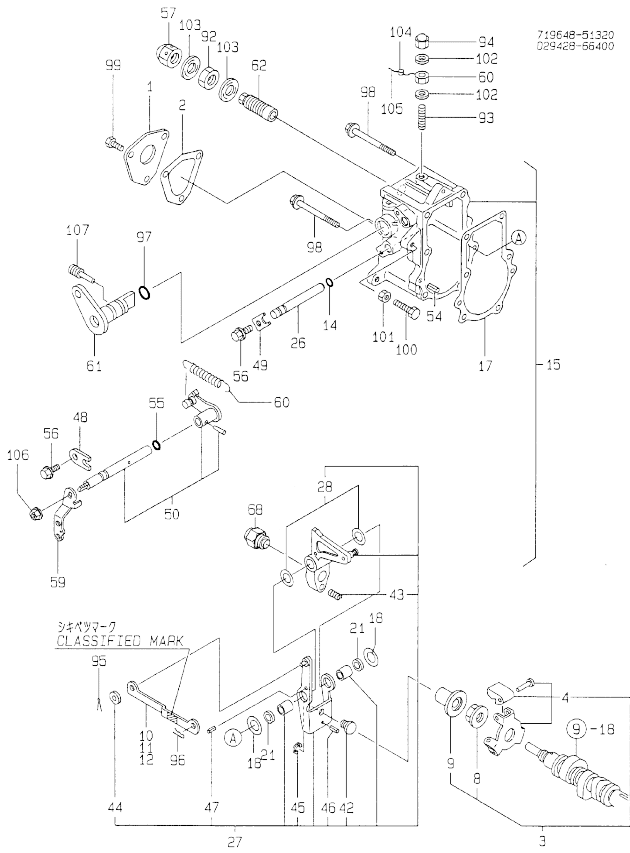


No.	Lev.	Parts No.	Description	Q'ty						I	R
				(A)	(B)	(C)	(D)	(E)	(F)		
1	1	719621-51100	PUMP ASSY, INJECTION	1							
4	2	119620-51101	PLUNGER ASSY	3							
7	2	119620-51170	RETAINER, SPRING A	3							
8	2	119620-51180	RETAINER, SPRING B	3							
9	2	119620-51190	SPRING, PLUNGER	3							
10	2	119620-51250	SHIM SET	3							
22	2	119620-51300	VALVE ASSY, DELIVERY	3							
25	2	105546-51330	SPRING, DELIVERY	3							
26	2	119620-51340	HOLDER, DELIVERY	3							
27	2	119620-51350	GASKET	3							
28	2	119620-51370	O-RING	3							
29	2	119620-51450	PIECE	3							
30	2	119620-51461	PIN	1							
31	2	119660-51500	RACK, CONTROL	1							
32	2	119620-51510	PINION	3							
33	2	119660-51530	RETAINER, RACK	1							
34	2	119620-51650	PLATE	2							
35	2	119620-51660	SCREW	2							
36	2	119620-51670	PIN	2							
37	2	119620-51680	PIN	1							
38	2	119620-51700	TAPPET ASSY	3							
43	2	22137-040000	WASHER, 4	2							
44	2	22217-040000	WASHER, SPRING 4	2							
45	2	26022-040082	SCREW, M4X 8	4							
46	2	26587-040102	SCREW, M4X10	2							

N:Old  $\frac{100}{100}$  New, Q:Old  $\frac{100}{100}$  New, R:Old  $\frac{100}{100}$  New, S:Old  $\frac{100}{100}$  New, W:Add, Z:Discontinued, F:Interchangeable by set, K:Qty Change  
 Copyright (C) YANMAR CO., LTD. All Rights Reserved.

OCD10-M49300

Fig.12. GOVERNOR



719648-51320  
029428-56400

No.	Lev.	Parts No.	Description	Q'ty						I	R
				(A)	(B)	(C)	(D)	(E)	(F)		
1	1	119660-61060	COVER, GOVERNOR CASE	1							
2	1	119660-61071	GASKET	1							
3	1	119600-61100	DRIVE ASSY	1							
4	2	119600-61200	WEIGHT ASSY, GOVERNOR	1							
8	2	119660-61300	NUT	1							
9	2	119660-61341	SLEEVE	1							
10	1	119660-61121	LINK, NO MARK	1							1
11	1	119660-61140	LINK, MARK :2	1							1
12	1	119660-61150	LINK, MARK :3	1							1
13	1	119270-61200	CASE ASSY, GOVERNOR	1							
14	2	129155-51280	O-RING, S6	1							
17	2	119660-61052	GASKET	1							
18	2	119660-61460	SHIM SET	1							
21	2	129155-61480	SPACER ASSY	2							
26	2	119660-61491	SHAFT	1							
27	2	119600-61500	LEVER ASSY, GOVERNOR	1							
28	3	174307-51700	SHIM SET	2							
42	3	119600-61540	SHIFTER	1							
42-1	3	119600-61541	SHIFTER	1							N
		(A=1995.04)									
43	3	119600-61650	SPRING, STARTING	1							
44	3	22117-040000	WASHER, 4	1							
44-1	3	22117-040000	WASHER, 4	2							K
		(A=1995.04)									
45	3	22272-000040	RING, E- 4	1							
46	3	22351-020004	PIN, SPRING 2.0X 4	1							Z
		(A=1995.04)									
47	3	22351-030014	PIN, SPRING 3.0X14	1							
48	2	119600-61900	RETAINER, SHAFT	1							
49	2	119660-61901	RETAINER, SHAFT	1							
50	2	119621-66091	SHAFT ASSY	1							
54	2	22351-040010	PIN, SPRING 4.0X10	2							
55	2	24341-000070	O-RING, 1AS7.0	1							
56	2	26106-060102	BOLT, M6X 10 PLATED	2							
57	1	129100-61930	NUT, CAP	1							
58	1	119600-66020	SPRING, REGULATOR	1							
59	1	119621-66051	LEVER, REGULATOR	1							
60	1	124550-66370	NUT, M6	1							
61	1	119643-66560	LEVER, STOP	1							
62	1	119600-66530	LIMITER ASSY, FUEL	1							
68	1	119600-66720	ANGLEICH ASSY	1							
92	1	124772-66750	NUT, LOCK M12	1							
92-1	1	26776-120002	NUT, LOCK M12	1							R
		(A=1994.07)									
93	1	121575-66830	SCREW	1							
94	1	119600-66840	NUT, CAP	1							
95	1	22360-040000	PIN, SNAP 4	1							
96	1	22360-060000	PIN, SNAP 6	1							
97	1	24311-240100	O-RING, 1AP10A	1							
98	1	26106-060702	BOLT, M6X 70 PLATED	6							
99	1	26116-050102	BOLT, M5X 10 PLATED	3							

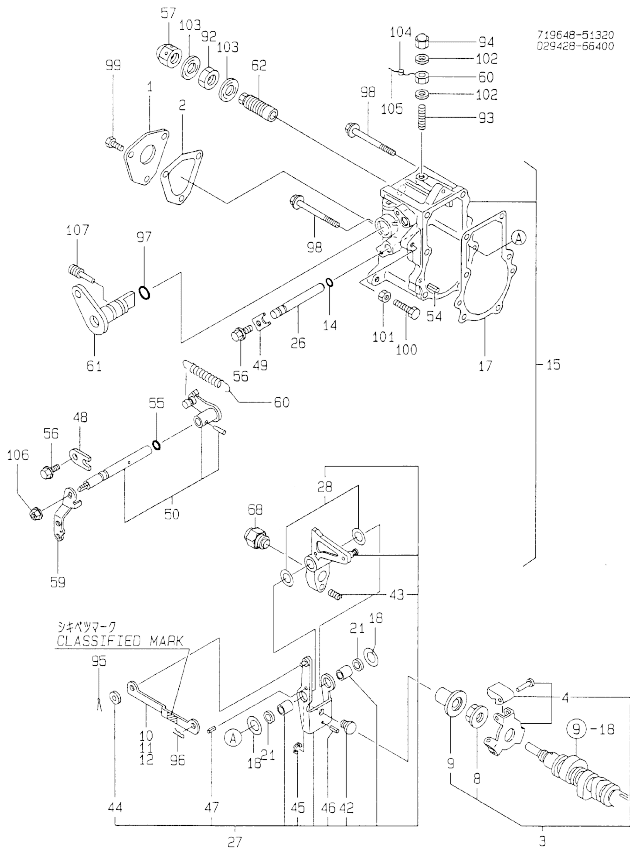
Remarks  
(1) SELECTIVE PART: CERTAIN THE CLASSIFICATION MARK, THEN PLACE YOUR ORDER. (REFER TO ILLUSTRATION).

N: Old  $\frac{100}{100}$  New, Q: Old  $\frac{100}{100}$  New, R: Old  $\frac{100}{100}$  New, S: Old  $\frac{100}{100}$  New, W: Add, Z: Discontinued, F: Interchangeable by set, K: Q'ty Change  
++ CONTINUE ++  
Copyright (C) YANMAR CO., LTD. All Rights Reserved.



OCD10-M49300

Fig.12. GOVERNOR



No.	Lev.	Parts No.	Description	Q'ty						I	R
				(A)	(B)	(C)	(D)	(E)	(F)		
100	1	26116-060304	BOLT, M6X 30 PLATED	1							
101	1	26756-060002	NUT, LOCK M6	1							
102	1	22190-060003		2							
103	1	22190-120002	WASHER, SEAL 12	2							
104	1	135210-61090	LEAD	1							Z
(A=1994.07)											
105	1	22451-060000	WIRE, 0.6	1							Z
(A=1994.07)											
106	1	194990-22050	NUT, M8	1							
107	1	124250-03640	SCREW	1							

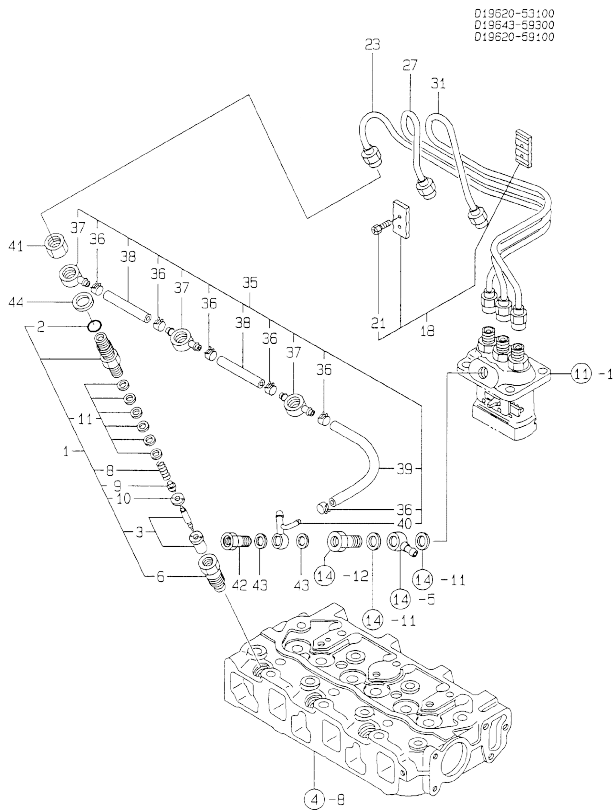
Remarks

(1) SELECTIVE PART: CERTAIN THE CLASSIFICATION MARK, THEN PLACE YOUR ORDER. (REFER TO ILLUSTRATION).

N:Old  $\frac{New}{Old}$  New. Q:Old  $\frac{New}{Old}$  New. R:Old  $\frac{New}{Old}$  New. S:Old  $\frac{New}{Old}$  New. W:Add. Z:Discontinued. F:Interchangeable by set. K:Qty Change  
Copyright (C) YANMAR CO., LTD. All Rights Reserved.

OCD10-M49300

Fig.13. FUEL INJECTION VALVE



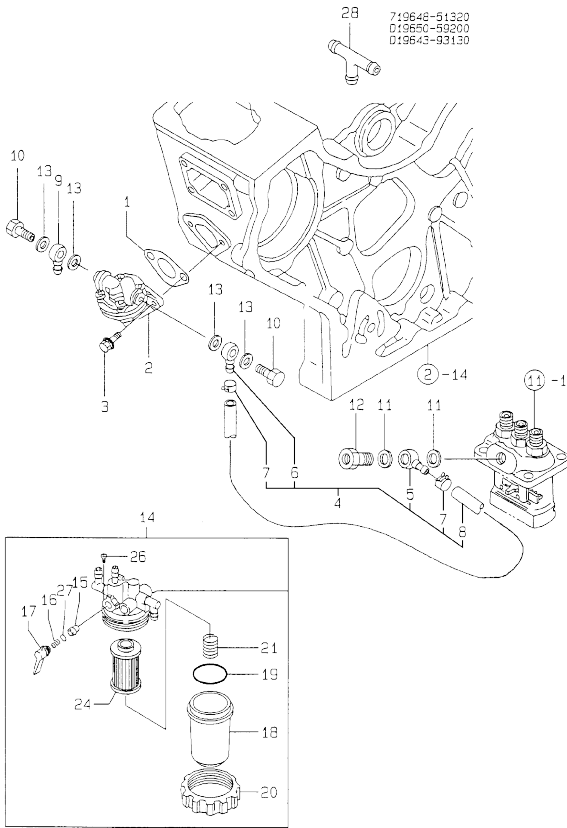
No.	Lev.	Parts No.	Description	Q'ty						I	R
				(A)	(B)	(C)	(D)	(E)	(F)		
1	1	719255-53100	VALVE ASSY,INJECTION	3							
2	2	129155-51580	O-RING	3							G
2-1	2	129155-61830	O-RING, S10	3							R G
(A=1995.02)											
3	2	119620-53000	VALVE ASSY,INJECTION	3							
6	2	119620-53080	NUT, NOZZLE	3							
8	2	119620-53120	SPRING, NOZZLE	3							
9	2	114250-53130	SEAT, SPRING	3							
10	2	119620-53140	SPACER, VALVE STOP	3							
11	2	114250-53400	SHIM SET	3							
18	1	129150-59120	RETAINER, PIPE	1							
21	2	129150-59130	BOLT, M4X12	2							
21-1	2	129150-59131	BOLT, M4X14	2							N
(A=1994.04)											
23	1	119620-59811	PIPE ASSY, INJECTION	1							
27	1	119620-59821	PIPE ASSY, INJECTION	1							
31	1	119620-59831	PIPE ASSY, INJECTION	1							
35	1	119643-59540	PIPE ASSY, RETURN	1							
36	2	124066-59100	CLIP, HOSE 8	6							
37	2	119260-59530	JOINT	3							
38	2	105025-59550	PIPE, FUEL RETURN	2							
39	2	119642-59550	PIPE, FUEL RETURN	1							
40	2	119643-59570	JOINT, OVER FLOW	1							
41	1	119620-59700	NUT, NOZZLE	3							
42	1	124550-59820	BOLT, PIPE JOINT M8	1							
43	1	23414-080012	GASKET, 8X1.0	2							
44	1	23414-140000	GASKET, 14X1.0	3							G

Remarks  
(G) THESE PARTS ARE SOLD BY FIG.18,  
REF.NO.1.

N:Old  $\frac{100}{100}$  New, Q:Old  $\frac{100}{100}$  New, R:Old  $\frac{100}{100}$  New, S:Old  $\frac{100}{100}$  New, W:Add, Z:Discontinued, F:Interchangeable by set, K:Qty Change  
Copyright (C) YANMAR CO., LTD. All Rights Reserved.

OCD10-M49300

Fig.14. F.O.INJECTION DEVICE



No.	Lev.	Parts No.	Description	Q'ty						I	R
				(A)	(B)	(C)	(D)	(E)	(F)		
1	1	121520-01851	GASKET	1							
2	1	119600-52021	PUMP ASSY, FUEL FEED	1							G
3	1	26014-060202	BOLT, M6X 20	2							
4	1	119650-59010	PIPE ASSY, FUEL	1							
5	2	101304-59020	JOINT, PIPE 12	1							
6	2	104264-59030	JOINT, PIPE 8	1							
7	2	124766-59050	CLIP, HOSE 12	2							
8	2	106430-59560	PIPE, FUEL	1							
9	1	104264-59030	JOINT, PIPE 8	1							
10	1	105582-59150	BOLT, PIPE JOINT	2							
11	1	104200-59170	GASKET, 12	2							G
12	1	119650-59200	BOLT, PIPE JOINT M12	1							
13	1	23414-080012	GASKET, 8X1.0	4							G
13-1	1	22190-080002	WASHER, SEAL 6	4							N G
(A=E82951)											
14	1	119643-55610	FILTER ASSY, FUEL	1							
15	2	104200-55321	VALVE, TAPER	1							
16	2	104200-55330	SPRING, VALVE	1							
17	2	119810-55340	LEVER	1							
18	2	121254-55510	COVER	1							
19	2	102103-55520	O-RING	1							
20	2	110250-55610	RING, RETAINING	1							
21	2	121250-55620	SPRING	1							
24	2	124550-55700	FILTER, FUEL L=90	1							
26	2	104200-55750	SCREW, M4	1							
27	2	24311-240100	O-RING, 1AP10A	1							
28	1	119643-55620	JOINT, 3-WAY	1							

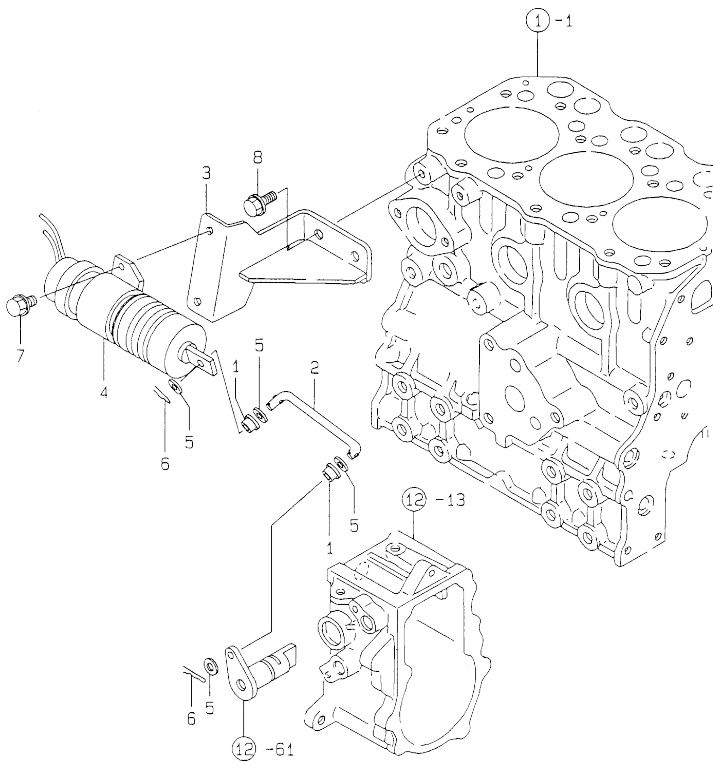
Remarks  
 (G) THESE PARTS ARE SOLD BY FIG.18,  
 REF.NO.1.

N:Old  $\frac{New}{Old}$  New, Q:Old  $\frac{New}{Old}$  New, R:Old  $\frac{New}{Old}$  New, S:Old  $\frac{New}{Old}$  New, W:Add, Z:Discontinued, F:Interchangeable by set, K:Q'ty Change  
 Copyright (C) YANMAR CO., LTD. All Rights Reserved.

OCD10-M49300

Fig.15. ENGINE STOP DEVICE

119643-66201

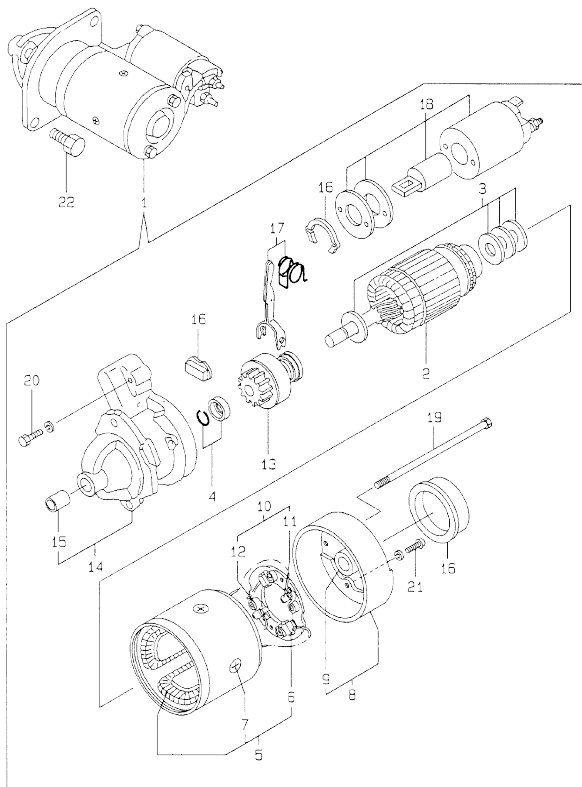


No.	Lev.	Parts No.	Description	Q'ty					
				(A)	(B)	(C)	(D)	(E)	(F)
1	1	119245-66400	BUSH	2					
2	1	119643-66532	LINK, SOLENOID	1					
3	1	119643-66541	BRACKET, SOLENOID	1					
4	1	129155-66800	SOLENOID	1					
5	1	22137-040000	WASHER, 4	4					
6	1	22360-040000	PIN, SNAP 4	2					
7	1	26106-060102	BOLT, M6X 10 PLATED	2					
8	1	26106-080182	BOLT, M8X 18 PLATED	2					

N:Old  $\frac{New}{Old}$  New, Q:Old  $\frac{New}{Old}$  New, R:Old  $\frac{New}{Old}$  New, S:Old  $\frac{New}{Old}$  New, W:Add, Z:Discontinued, F:Interchangeable by set, K:Q'ty Change  
Copyright (C) YANMAR CO., LTD. All Rights Reserved.

OCD10-M49300

Fig.16. STARTING MOTOR



D:19631-77100

No.	Lev.	Parts No.	Description	Q'ty						I	R
				(A)	(B)	(C)	(D)	(E)	(F)		
1	1	119631-77010	STARTER	1							
1-1	1	119631-77011 (A=*1994.10)	STARTING MOTOR	1							R
2	2	124190-77110	ARMATURE, (NON-ASB.)	1							
2-1	2	114371-77110 (A=*1994.10)	ARMATURE	1							S 1
3	2	X2114811000	WASHER KIT, THRUST	1							
4	2	X2114715500	STOPPER SET, PINION	1							
5	2	X2114631090	COIL ASSY, FIELD	1							
5-1	2	124097-77710 (A=*1994.10)	YOKE ASSY	1							S 1
6	3	X2114531200 (A=*1994.10)	BRUSH (+)	2							Z
7	3	X2114821500 (A=*1994.10)	SCREW SET	1							Z
8	2	X2114430010	COVER ASSY, REAR	1							
8-1	2	114371-77140 (A=*1994.10)	COVER ASSY, REAR	1							S 1
9	3	X2114535200 (A=*1994.10)	METAL, STARTER	1							Z
10	2	X2114990010	HOLDER ASSY, BRUSH	1							
10-1	2	114371-77160 (A=*1994.10)	HOLDER ASSY, BRUSH	1							S
11	3	X2114831300	BRUSH (-)	1							
11-1	3	114371-79040 (A=*1994.10)	BRUSH (-)	2							S
12	3	X2114931400	SPRING, BRUSH	3							
12-1	3	114371-79060 (A=*1994.10)	SPRING, BRUSH	4							S
12A	3	114371-79050 (A=*1994.10)	BRUSH (+)	1							W
13	2	124190-77760	PINION ASSY	1							
13-1	2	119631-77780 (A=*1994.10)	PINION ASSY	1							R
14	2	X2114966130	CASE ASSY, GEAR	1							
14-1	2	119631-77651 (A=*1994.10)	CASE ASSY, GEAR	1							S 1
15	3	X2114535200 (A=*1994.10)	METAL, STARTER	1							Z
16	2	X2114780060	COVER ASSY, DUST	1							
16-1	2	114371-77170 (A=*1994.10)	COVER KIT, DUST	1							S 1
17	2	X2114660130	LEVER KIT, SHIFT	1							
17-1	2	114371-77180 (A=*1994.10)	LEVER KIT, SHIFT	1							S 1
18	2	X2114275070	SWITCH, MAGNETIC	1							
18-1	2	X2114275010 (A=*1994.10)	SWITCH, MAGNETIC	1							S 1
19	2	X2114680050	BOLT, THROUGH	2							
19-1	2	124195-77770 (A=*1994.10)	BOLT, THROUGH	2							S 1

Remarks

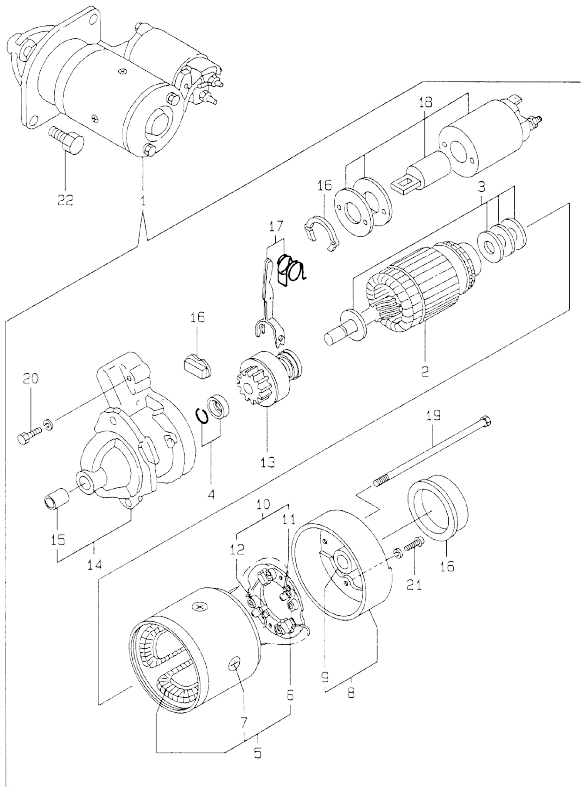
(1) CERTAIN THE NAME PLATE, THEN PLACE YOUR ORDER.  
(REFER TO ILLUSTRATION)  
\* NAME PLATE= 119631-77011.

N:Old  $\frac{N}{100}$  New, Q:Old  $\frac{Q}{100}$  New, R:Old  $\frac{R}{100}$  New, S:Old  $\frac{S}{100}$  New, W:Add, Z:Discontinued, F:Interchangeable by set, K:Q'ty Change  
++ CONTINUE ++  
Copyright (C) YANMAR CO., LTD. All Rights Reserved.

OCD10-M49300

Fig.16. STARTING MOTOR

D:9631-77100



(A)=3TNA72L-JDW2  
(B)=  
(C)=  
(D)=  
(E)=  
(F)=

No.	Lev.	Parts No.	Description	Qty						I	R
				(A)	(B)	(C)	(D)	(E)	(F)		
20	2	X2114586700	BOLT M6X 37	2							
20-1	2	114371-79070 (A=1994.10)	BOLT M 6X 37	2						S	1
21	2	X2114283500 (A=1994.10)	SCREW SET	1							Z
22	1	26116-120252	BOLT, M12X 25 PLATED	2							

---

---

---

---

---

---

---

---

---

---

---

---

---

---

---

---

---

---

---

---

---

---

---

---

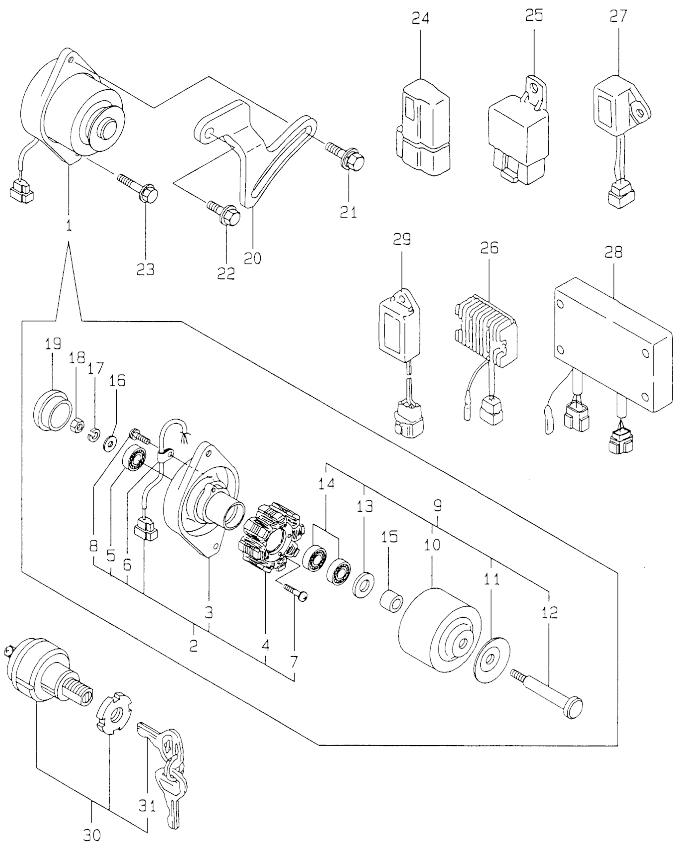
---

Remarks  
(1) CERTAIN THE NAME PLATE, THEN PLACE YOUR ORDER.  
(REFER TO ILLUSTRATION)  
\* NAME PLATE= 119631-77011.

OCD10-M49300

Fig.17. GENERATOR

019643-77210  
 D:19600-77320  
 D:19643-93130

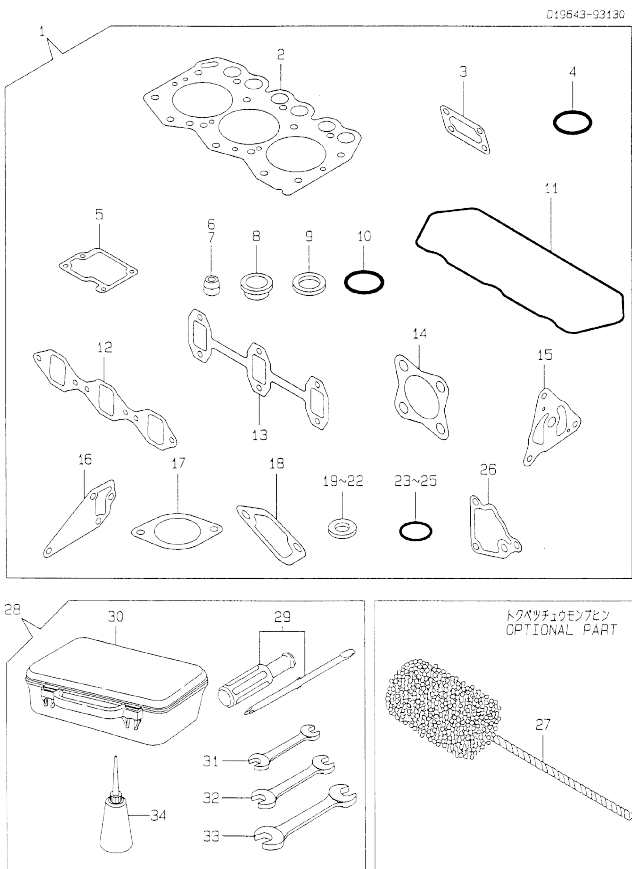


No.	Lev.	Parts No.	Description	Q'ty						I	R
				(A)	(B)	(C)	(D)	(E)	(F)		
1	1	119643-77200	DYNAMO	1							
2	2	XM08615	PLATE ASSY	1							
3	3	XM08138	PLATE	1							
4	3	XM08616	STATOR COMP	1							
5	3	XM27436	BALL BEARING	1							
6	3	XM36410	CLAMP	1							
7	3	26022-040252	SCREW, M4X25	2							
8	3	XYSPS4008	SCREW	1							
9	2	XM82184	FLYWHEEL ASSY	1							
10	3	XM82110	FLYWHEEL	1							
11	3	XM72174	PULLEY	1							
12	3	XM72664	SHAFT	1							
13	3	XM37336	WASHER	1							
14	3	XM27436	BALL BEARING	2							
15	2	106383-44720	SPACER	1							
16	2	106383-44730	WASHER	1							
17	2	22212-100000	WASHER 10,SPRING	1							
18	2	26716-100002	NUT, M10	1							
19	2	105225-44790	CAP	1							
20	1	119600-77330	ADJUSTER	1							
21	1	26014-080252	BOLT, M8X 25	1							
22	1	26106-080162	BOLT, M8X 16 PLATED	1							
23	1	26106-100402	BOLT, M10X 40 PLATED	1							
24	1	119643-66900	DIODE	1							
25	1	119247-77100	RELAY, SAFETY	2							
26	1	129132-77700	LIMITER, RS5136	1							
27	1	121522-77721	INDICATOR	1							
28	1	171440-77801	RELAY, EMERGENCY	1							
29	1	128300-77920	TIMER	1							
30	1	121400-91251	SWITCH, STARTER	1							
31	2	121400-91271	KEY, SWITCH	2							

N:Old  $\frac{100}{100}$  New, Q:Old  $\frac{100}{100}$  New, R:Old  $\frac{100}{100}$  New, S:Old  $\frac{100}{100}$  New, W:Add, Z:Discontinued, F:Interchangeable by set, K:Q'ty Change  
 Copyright (C) YANMAR CO., LTD. All Rights Reserved.

OCD10-M49300

Fig.18. GASKET SET



Remarks  
(1) OPTIONAL PART.

No.	Lev.	Parts No.	Description	Q'ty						I	R
				(A)	(B)	(C)	(D)	(E)	(F)		
1	1	719648-92600	GASKET SET	1							1
1-1	1	719648-92601	GASKET SET	1							N 1
(A=1994.05)											
2	2	119620-01342	GASKET, HEAD	1							
3	2	119660-01562	GASKET	1							
4	2	24311-000320	O-RING, 1AP32.0	1							
5	2	119620-03031	GASKET	1							
6	2	124950-11340	SEAL, VALVE STEM	3							
7	2	124160-11340	SEAL, VALVE STEM	3							
8	2	119600-11450	PROTECTOR, NOZZLE	3							
9	2	119600-11460	GASKET, NOZZLE	6							
10	2	24311-000320	O-RING, 1AP32.0	1							
11	2	119620-11310	GASKET, BONNET	1							
12	2	119620-12111	GASKET, MANIFOLD	1							
13	2	119620-13110	GASKET	1							
14	2	121000-13201	GASKET, SILENCER	1							
15	2	119660-32020	GASKET, PUMP	1							
16	2	119620-42020	GASKET, WATER PUMP	1							
17	2	129350-49541	GASKET	1							
18	2	121520-01851	GASKET	1							
19	2	124465-44950	GASKET, 16	2							
20	2	104200-59170	GASKET, 12	2							
21	2	23414-140000	GASKET, 14X1.0	3							
22	2	23414-080012	GASKET, 8X1.0	4							
22-1	2	22190-080002	WASHER, SEAL 6	4							N
(A=E82951)											
23	2	24311-000120	O-RING, 1AP12.0	4							
24	2	129155-51580	O-RING	3							
24-1	2	129155-61830	O-RING, S10	3							N
(A=1995.02)											
25	2	24341-000240	O-RING, 1AS24.0	2							
25-1	2	24341-000240	O-RING, 1AS24.0	1							K
(A=1994.05)											
26	2	119660-35113	GASKET	1							
26A	2	22190-220002	WASHER, SEAL 22	2							W
(A=1994.05)											
26A-1	2	24341-000250	O-RING, 1AS25.0	2							N
(A=1994.11)											
27	1	129400-92410	FLEX HORN	1							1
28	1	171001-93100	BOX, TOOL	1							
29	2	104200-92350	DRIVER, SCREW	1							
30	2	104200-92600	BOX, TOOL	1							
31	2	28110-100120	SPANNER, 10X12	1							
32	2	28110-140170	SPANNER, 14X17	1							
33	2	28110-190220	SPANNER, 19X22	1							
34	2	28210-000140	OILER	1							
35	1	977770-01212	GASKET, LIQUID	1							W 1
(A=EXXX)											

N:Old  $\frac{100}{100}$  New, Q:Old  $\frac{100}{100}$  New, R:Old  $\frac{100}{100}$  New, S:Old  $\frac{100}{100}$  New, W:Add, Z:Discontinued, F:Interchangeable by set, K:Q'ty Change  
Copyright (C) YANMAR CO., LTD. All Rights Reserved.



## Parts No. Index

Parts No.	Fig. No.	Ref. No.	Parts No.	Fig. No.	Ref. No.	Parts No.	Fig. No.	Ref. No.	Parts No.	Fig. No.	Ref. No.
101158-11190	4	24	119600-35091	9	29	119620-14401	7	2	119631-77651	16	14 -1
101304-59020	14	5	119600-52021	14	2	119620-21941	8	10	119631-77780	16	13 -1
102103-55520	14	19	119600-61100	12	3	119620-22080	8	16 -1	119640-01640	3	14 -1
104200-55321	14	15	119600-61200	12	4	119620-22090	8	16	119642-59550	13	39
104200-55330	14	16	119600-61500	12	27	119620-22300	8	24	119643-21590	8	12
104200-55750	14	26	119600-61540	12	42	119620-22500	8	18 -1	119643-55610	14	14
104200-59170	14	11	119600-61541	12	42 -1	119620-22900	8	34	119643-55620	14	28
	18	20	119600-61650	12	43	119620-22920	8	42	119643-59540	13	35
104200-92350	18	29	119600-61900	12	48	119620-22950	8	36	119643-59570	13	40
104200-92600	18	30	119600-66020	12	58	119620-22970	8	44	119643-66532	15	2
104211-11370	4	27	119600-66530	12	62	119620-23910	8	29	119643-66541	15	3
104264-59030	14	6	119600-66720	12	68	119620-25102	7	11	119643-66560	12	61
		9	119600-66840	12	94	119620-25912	7	13	119643-66900	17	24
105010-11230	4	38	119600-77330	17	20	119620-42020	10	13	119643-77200	17	1
		42	119610-01490	2	14		18	16	119644-21200	8	5 -1
105025-59550	13	38	119610-01590	2	1	119620-42320	10	10	119645-34800	9	13
105225-23200	8	31	119620-01200	1	23	119620-44741	10	17	119645-49010	10	38
105225-44790	17	19	119620-01342	1	24	119620-51101	11	4	119645-49020	10	39
105546-51330	11	25		18	2	119620-51170	11	7	119650-42291	10	15
105582-59150	14	10	119620-01620	3	6	119620-51180	11	8	119650-59010	14	4
106383-44720	17	15	119620-01750	3	4	119620-51190	11	9	119650-59200	14	12
106383-44730	17	16	119620-01800	2	4	119620-51250	11	10	119660-01510	2	17
106430-59560	14	8	119620-01950	2	23	119620-51300	11	22	119660-01551	2	20
110250-55610	14	20	119620-02020	1	6	119620-51340	11	26	119660-01562	2	21
114250-53130	13	9	119620-02410	1	21	119620-51350	11	27		18	3
114250-53400	13	11	119620-02450	7	4	119620-51370	11	28	119660-01570	2	22
114371-77110	16	2 -1	119620-03020	4	52	119620-51450	11	29	119660-01640	3	7
114371-77140	16	8 -1	119620-03031	4	53	119620-51461	11	30	119660-01821	7	17
114371-77160	16	10 -1		18	5	119620-51510	11	32	119660-01911	2	5
114371-77170	16	16 -1	119620-11100	4	20	119620-51650	11	34	119660-21201	8	5
114371-77180	16	17 -1	119620-11110	4	21	119620-51660	11	35	119660-21651	8	8
114371-79040	16	11 -1	119620-11120	4	22	119620-51670	11	36	119660-21710	8	1 -1
114371-79050	16	12 A	119620-11180	4	23	119620-51680	11	37	119660-25022	7	9
114371-79060	16	12 -1	119620-11200	4	31	119620-51700	11	38	119660-25052	7	10
114371-79070	16	20 -1	119620-11240	4	32	119620-53000	13	3	119660-32001	9	1
119245-66400	15	1	119620-11260	4	35	119620-53080	13	6	119660-32020	9	11
119247-77100	17	25	119620-11280	4	36	119620-53120	13	8		18	15
119260-07900	4	5	119620-11310	4	56	119620-53140	13	10	119660-35102	9	15
119260-59530	13	37		18	11	119620-59700	13	41	119660-35113	9	16
119270-61200	12	13	119620-11330	4	50	119620-59811	13	23		18	26
119305-35150	9	17	119620-11350	4	47	119620-59821	13	27	119660-35300	9	18
119600-01050	1	5	119620-11390	4	57	119620-59831	13	31	119660-42004	10	1
119600-01600	3	2	119620-11801	4	14	119620-77820	4	64	119660-42005	10	1 -1
119600-01722	3	11	119620-12101	5	1	119621-21680	8	9	119660-42350	10	16
119600-01770	3	13	119620-12111	5	2	119621-66051	12	59	119660-51500	11	31
119600-11450	4	28		18	12	119621-66091	12	50	119660-51530	11	33
	18	8	119620-13110	6	2	119623-01950	2	23 -1	119660-61052	12	17
119600-11460	4	29		18	13	119629-14580	7	3	119660-61060	12	1
	18	9	119620-14100	7	7	119631-77010	16	1	119660-61071	12	2
119600-13100	6	1	119620-14200	7	1	119631-77011	16	1 -1	119660-61121	12	10

## Parts No. Index

Parts No.	Fig. No.	Ref. No.
119660-61140	12	11
119660-61150	12	12
119660-61300	12	8
119660-61341	12	9
119660-61460	12	18
119660-61491	12	26
119660-61901	12	49
119810-55340	14	17
119865-21600	8	15
121000-13201	6	7
	18	14
121023-01550	2	29
121111-21501	8	11
121120-01620	3	3
121250-44901	10	26
121250-55620	14	21
121254-55510	14	18
121256-44600	10	37
121400-91251	17	30
121400-91271	17	31
121450-01560	2	18
121450-42450	10	25
121465-12700	5	10
121470-44540	10	35
121520-01851	14	1
	18	18
121520-34810	9	14
121522-77721	17	27
121550-49111	10	24
121575-66830	12	93
121850-11860	4	17
123682-44210	10	29
124064-12680	5	8
124064-12690	5	9
124066-59100	13	36
124085-02220	3	9
124097-77710	16	5 -1
124160-01751	2	12
	4	65
124160-11340	4	25
	18	7
124160-11360	4	61
124160-39450	9	32
124190-77110	16	2
124190-77760	16	13
124195-77770	16	19 -1
124250-03640	12	107
124450-44510	10	30
124450-44530	10	32
124450-44550	10	36

Parts No.	Fig. No.	Ref. No.
124450-44560	10	33
124465-44950	10	27
	18	19
124550-55700	14	24
124550-59820	13	42
124550-66370	12	60
124574-44761	10	18
124766-59050	14	7
124772-66750	12	92
124950-11340	4	26
	18	6
128300-77920	17	29
129100-01580	3	1
	8	2
129100-61930	12	57
129132-77700	17	26
129150-35350	9	26
129150-59120	13	18
129150-59130	13	21
129150-59131	13	21 -1
129155-51280	12	14
129155-51580	13	2
	18	24
129155-61480	12	21
129155-61830	13	2 -1
	18	24 -1
129155-66800	15	4
129350-49530	10	20
129350-49541	10	21
	18	17
129350-49800	10	22
129400-92410	18	27
129795-77800	4	63
135210-61090	12	104
171001-93100	18	28
171002-44502	10	28
171033-12500	5	4
171033-12510	5	5
171033-12540	5	6
171033-12560	5	7
171126-12580	5	11
171301-01640	3	14
		14 -2
171440-77801	17	28
174307-51700	12	28
194990-22050	2	27
	6	3
	12	106
22117-040000	12	44
		44 -1

Parts No.	Fig. No.	Ref. No.
22137-040000	11	43
	15	5
22190-060003	12	102
22190-080002	14	13 -1
	18	22 -1
22190-120002	12	103
22190-220002	3	16 -1
	18	26 A
22212-100000	17	17
22217-040000	11	44
22217-050000	4	58
22242-000120	4	45
22242-000200	7	15
22252-000210	8	25
22272-000040	12	45
22351-020004	12	46
22351-030014	12	47
22351-040010	2	19
	12	54
22351-060012	4	30
22360-040000	12	95
	15	6
22360-060000	12	96
22451-060000	12	105
22512-040120	7	8
		22
	8	6
23010-038000	10	40
23061-070230	10	34
23065-120550	4	1
23414-080012	13	43
	14	13
	18	22
23414-140000	13	44
	18	21
23871-010000	1	11
23871-030000	10	11
24101-062034	7	24
24102-063034	7	23
24311-000120	2	6
	4	62
	9	30
	18	23
24311-000160	9	27
24311-000320	2	13
	4	66
	18	4
		10
24311-240100	12	97
	14	27

Parts No.	Fig. No.	Ref. No.
24341-000070	12	55
24341-000240	2	30
	3	16
	18	25
		25 -1
24341-000250	3	16 -2
	18	26 A-1
26014-060202	14	3
26014-060252	10	19
26014-080252	17	21
26022-040082	11	45
26022-040252	17	7
26106-060102	9	31
	12	56
	15	7
26106-060122	1	22
	3	17
	7	16
26106-060162	2	7
	7	25
26106-060182	2	31
26106-060202	5	3
26106-060222	3	10
26106-060302	2	8
26106-060452	3	18
26106-060602	2	9
		10
26106-060702	12	98
26106-060802	2	11
26106-080142	4	6
		7
26106-080162	17	22
26106-080182	15	8
26106-080202	9	28
	10	23
26106-080402	6	4
26106-080452	4	48
	10	14
26106-100402	17	23
26116-050102	12	99
26116-060304	12	100
26116-120252	16	22
26206-100252	3	5
26216-080222	6	5
26216-080552	6	6
26366-060002	2	28
26366-080002	4	49
26450-060202	9	12
26557-050102	4	60
26587-040102	11	46

## Parts No. Index

Parts No.	Fig. No.	Ref. No.
26587-080102	7	26
26716-100002	17	18
26756-060002	4	40
		44
	12	101
26776-120002	12	92 -1
26979-050162	4	46
27231-450000	1	12
27241-120000	1	13
27241-300000	1	14
27241-400000	4	19
27310-070001	4	24 -1
28110-100120	18	31
28110-140170	18	32
28110-190220	18	33
28210-000140	18	34
719255-53100	13	1
719610-01561	1	1
719620-02800	1	15
719620-02870	1	25
719620-02930	1	18
719620-11650	4	37
719620-11660	4	41
719620-11701	4	8
719620-22500	8	18
719620-23100	8	26
719620-23600	8	32
719620-23610	8	50
719621-51100	11	1
719648-92600	18	1
719648-92601	18	1 -1
719660-14590	7	18
719660-21700	8	1
977770-01212	2	32
	3	19
	18	35
X2114275010	16	18 -1
X2114275070	16	18
X2114283500	16	21
X2114430010	16	8
X2114531200	16	6
X2114535200	16	9
		15
X2114586700	16	20
X2114631090	16	5
X2114660130	16	17
X2114680050	16	19
X2114715500	16	4
X2114780060	16	16
X2114811000	16	3

Parts No.	Fig. No.	Ref. No.
X2114821500	16	7
X2114831300	16	11
X2114931400	16	12
X2114966130	16	14
X2114990010	16	10
XM08138	17	3
XM08615	17	2
XM08616	17	4
XM27436	17	5
		14
XM36410	17	6
XM37336	17	13
XM72174	17	11
XM72664	17	12
XM82110	17	10
XM82184	17	9
XYSPS4008	17	8

Parts No.	Fig. No.	Ref. No.
-----------	----------	----------

Parts No.	Fig. No.	Ref. No.
-----------	----------	----------