

0CV10-M10402EN

P R E F A C E

1. This Parts Catalog carries all parts incorporated in YANMAR Model 3TN66E-YL & 3TNA72E-YL engines manufactured since July, 1990.

2. Each illustration corresponds to the parts list on the following page.

3. When ordering parts, clearly write down the engine model and serial number, as well as the name and number of each part in your order sheet. This will help insure reliable delivery of the parts you have ordered.

4. Pub. No. 000Y00V1040 First Published : September, 1990.
 Pub. No. 000Y00V1041 First Revised : December, 1991.
 Pub. No. 000Y00V1042 Second Revised : March, 1993.

Directions for the Parts Catalog.

1. This Parts Catalog shows both standard and optional parts.
2. Parts may change without prior notice.
3. The following is an example of the Parts Catalog format.

REF.	LEV.	PARTS NO.	DESCRIPTION	Q'TY						I	R
				(A)	(B)	(C)	(D)	(E)	(F)		
1	1	729595-51390	FUEL INJECTION PUMP	1	1	1	1	1			1
1-1	1	729595-51391	FUEL INJECTION PUMP	1	1	1	1	1		N	1
		(A=E00185) (B=E00200)									
3	2	26022-060162	SCREW M 6X 16	9	9	9	9	9			
3-1	2	26022-060162	SCREW M 6X 16	4	4	4	4	4		K	
		(A=E00156) (B=E00156) (C=E00156) (D=E00156) (E=E00156)									
4	2	129470-51040	CAMSHAFT	1	1	1	1	1			
5	2	122710-51050	BEARING, ROLLER	2	2	2	2	2			
6	2	129470-51060	RETAINER	1	1	1	1	1			

Remarks
(1) BOOST COMPEMSATOR TYPE. OPTIONAL PART, TO E00155,(4JH-DT, 4JH-DTZ

① Ref. No.

The Ref. No. listed may not be in accordance with the illustration Ref. No.

(Ex.) Illustration No. List Ref No.

1 1 (Before change) → 1-1 (After change)

For interchangeable symbols N, R and K, illustrations for new parts may be abbreviated.

② Lev. (Level)

Level indication

The numbers below indicate the level of relativity towards the main part.

1 ---- Main parts (Assembly parts)

2 ---- Sub component included in " 1 ".

3 ---- Sub component included in " 2 ".

Note) Parts that are not for sale are partially illustrated but not listed.

③ Interchangeability Symbol

When a part change takes place, one of the following interchangeability symbols is indicated beside the part.

Symbol	Interchangeability	Contents note
N	Old $\begin{matrix} \leftarrow \text{Yes} \\ \text{No} \rightarrow \end{matrix}$ New	New Part is interchangeable for Old Part but Old Part is not interchangeable for New Part.
Q	Old $\begin{matrix} \leftarrow \text{No} \\ \text{Yes} \rightarrow \end{matrix}$ New	New Part is not interchangeable for Old Part but Old Part is interchangeable for New Part.
R	Old $\begin{matrix} \leftarrow \text{Yes} \\ \text{Yes} \rightarrow \end{matrix}$ New	New/ Old Parts are both interchangeable.
S	Old $\begin{matrix} \leftarrow \text{No} \\ \text{No} \rightarrow \end{matrix}$ New	New/ Old Parts are both not interchangeable.
W		Part newly added.
Z		Part discontinued.
F		Not interchangeable by a single part but interchangeable together with related parts.
K		Changes only for used parts quantities.

④ Effective Machine No.

When a part changes, the effective Machine No. will be indicated in the (A)-(F) column.

Product Symbol	Product No.	Product Symbol	Product No.
C	Clutch No. Compressor No.	F	Machine No. (Agricultural Equip.)
D	Drive No.	M	Machine No.
E	Engine No.		

Note 1) A date may follow the symbol. (Ex.) 1996.01

Note 2) "XXXXX" and "ZZZZZ" are for parts that could not be predicted or for engine models that could not be identified.

Note 3) (A=E00185) is the E (Engine Serial Number) for the column (A) model (in this case 4JH-DT) after the parts design change.

⑤ Remarks

Figures or alphabets (symbols) are entered in the remarks column.

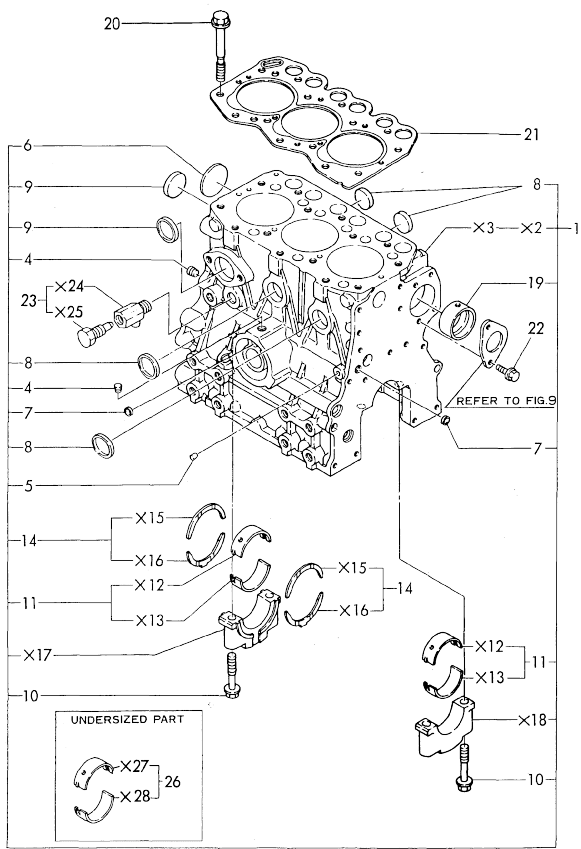
The comments (remarks) on parts that are indicated at the bottom of the illustration are the same symbols as those stated above.

Contents

Fig. No.	Fig. Name	Fig. No.	Fig. Name
	3TN66E/A72E-YL		
1.	CYLINDER BLOCK(3TN66E-YL)		
2.	CYLINDER BLOCK(3TNA72E-YL)		
3.	GEAR HOUSING		
4.	MOUNTING FLANGE		
5.	LUB.OIL SUMP		
6.	CYLINDER HEAD & BONNET		
7.	SUCTION MANIFOLD & AIR CLEANER		
8.	EXHAUST MANIFOLD		
9.	CAMSHAFT & DRIVING GEAR		
10.	CRANKSHAFT & PISTON		
11.	LUB. OIL SYSTEM		
12.	COOLING WATER SYSTEM		
13.	FUEL INJECTION DEVICE		
14.	FUEL LINE		
15.	GOVERNOR		
16.	ENGINE STOP DEVICE		
17.	STARTING MOTOR		
18.	GENERATOR		
19.	GASKET SET(OPTIONAL)		

Fig.1. CYLINDER BLOCK(3TN66E-YL)

Fig. 1 CYLINDER BLOCK (3TN66E-YL)

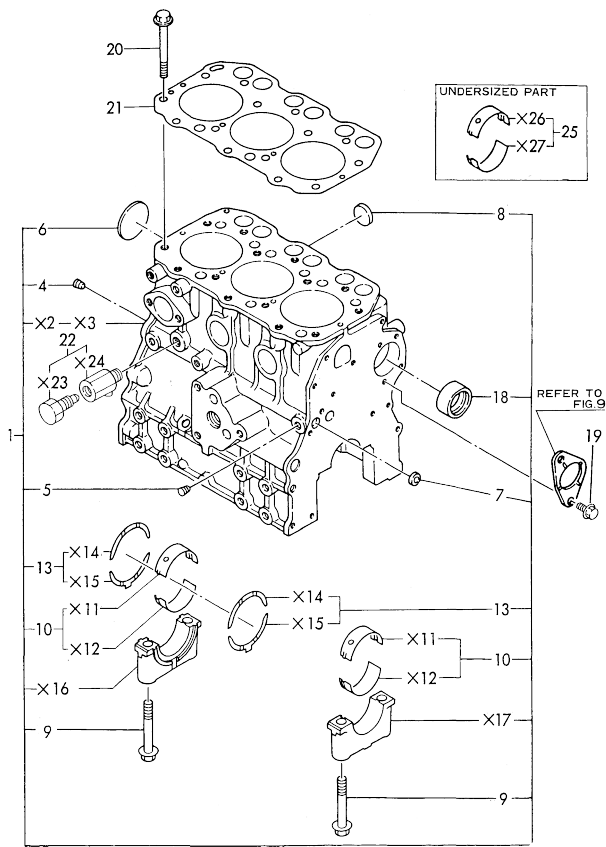


No.	Lev.	Parts No.	Description	Q'ty						I	R
				(A)	(B)	(C)	(D)	(E)	(F)		
1	1	719270-01560	BLOCK ASSY, CYLINDER	1							
4	3	124060-01050	PLUG, PT1/8		2						
5	3	27221-060100	PLUG, 6X10		1						
6	3	27231-400000	PLUG 40		1						
7	3	27241-100000	PLUG, 10		2						
8	3	27241-250000	PLUG, 25		4						
9	3	27241-300000	PLUG 30		2						
10	2	119260-02020	BOLT, METAL CAP		8						
11	2	119260-02800	BEARING, MAIN		4						
14	2	119260-02930	BEARING, THRUST		2						
19	2	119260-02410	BUSH, CAMSHAFT		1						
20	1	119260-01200	BOLT, HEAD		14						
21	1	119255-01340	GASKET, HEAD		1						
22	1	26106-060122	BOLT, M6X 12 PLATED		2						
23	1	119620-49290	COCK ASSY, 1/4		1						
26	1	719260-02870	BEARING, 0.25 US		4						1

Remarks
 (1) UNDERSIZED(U.S=0.25) PART.

Fig.2. CYLINDER BLOCK(3TNA72E-YL)

Fig.2 CYLINDER BLOCK (3TNA72E-YL)

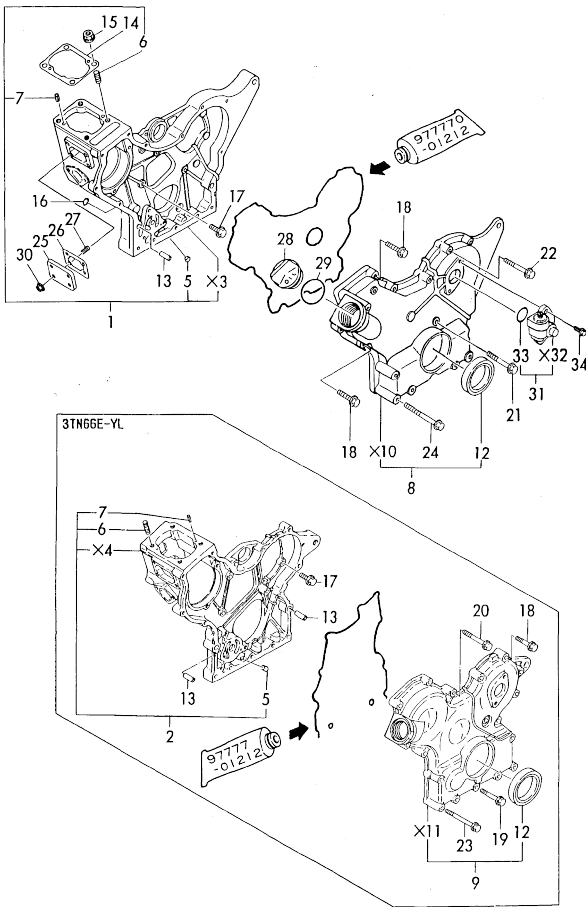


No.	Lev.	Parts No.	Description	Q'ty						I	R
				(A)	(B)	(C)	(D)	(E)	(F)		
1	1	719685-01580	BLOCK ASSY, CYLINDER	1							
4	3	119600-01050	PLUG, PT1/4	1							
5	3	23871-010000	PLUG, R01	1							
6	3	27231-450000	PLUG 45	1							
7	3	27241-120000	PLUG, 12	1							
8	3	105311-01090	PLUG, 30	6							
8-1	3	27241-300000	PLUG 30	6						N	
9	2	119620-02020	(B=EXXX) BOLT, METAL CAP	8							
10	2	719620-02800	BEARING, MAIN	4							
13	2	719620-02930	BEARING, THRUST	2							
18	2	119620-02410	BUSH, CAMSHAFT	1							
19	1	26106-060122	BOLT, M6X 12 PLATED	2							
20	1	119620-01200	BOLT, HEAD	14							
21	1	119610-01340	GASKET, HEAD	1							
22	1	119620-49290	COCK ASSY, 1/4	1							
25	1	719620-02870	BEARING, 0.25 US	4							1

Remarks
(1) UNDERSIZED(U.S=0.25) PART.

Fig.3. GEAR HOUSING

Fig.3 GEAR HOUSING

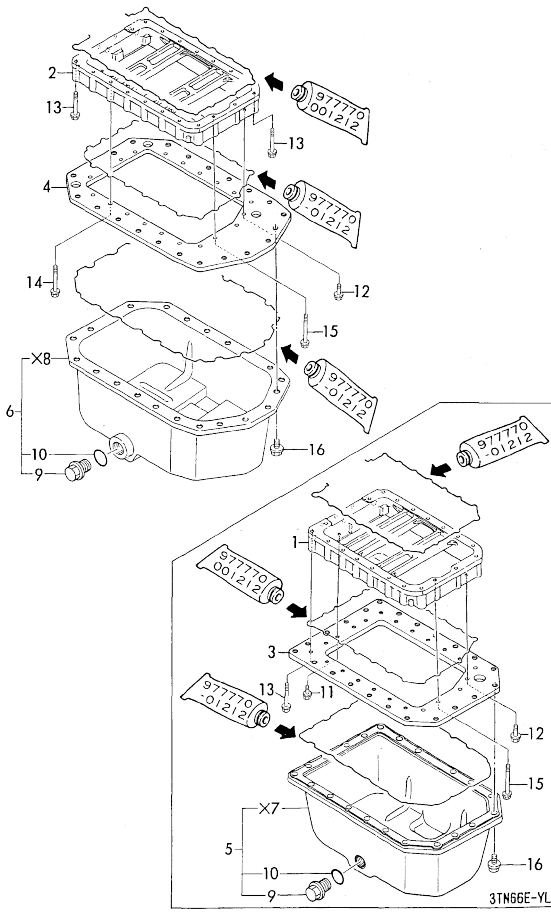


No.	Lev.	Parts No.	Description	Q'ty						
				(A)	(B)	(C)	(D)	(E)	(F)	
1	1	119610-01490	CASE ASSY, GEAR							
2	1	119260-01490	CASE ASSY, GEAR	1						
5	2	119660-01510	PLUG, 10X14	1	1					
5-1	2	119260-01510	PLUG	1						N
		(A=E-XXXX)								
6	2	121450-01560	STUD, M8X22	4	4					
7	2	22351-040010	PIN, SPRING 4.0X10	2	2					
8	1	119610-01590	COVER ASSY,GEAR CASE			1				
9	1	119260-01590	COVER ASSY,GEAR CASE	1						
12	1	119620-01800	SEAL, OIL	1	1					
13	1	119660-01911	PIPE, KNOCK	4	4					
14	1	119620-01950	SHIM SET, ADJUSTING	1	1					
15	1	194990-22050	NUT, M8	4	4					
16	1	24311-000120	O-RING, 1AP12.0	2	2					
17	1	26106-060162	BOLT, M6X 16 PLATED	5	7					
18	1	26106-060302	BOLT, M6X 30 PLATED	5	8					
19	1	26106-060402	BOLT, M6X 40 PLATED	3						
20	1	26106-060502	BOLT, M6X 50 PLATED	4						
21	1	26106-060602	BOLT, M6X 60 PLATED		1					
22	1	26106-060602	BOLT, M6X 60 PLATED		3					
23	1	26106-060652	BOLT, M6X 65 PLATED	6						
24	1	26106-060802	BOLT, M6X 80 PLATED		6					
25	1	119660-01551	COVER	1	1					
26	1	119660-01562	GASKET	1	1					
27	1	119660-01570	STUD, M6X12	4	4					
28	1	124160-01751	COVER, FILLER	1	1					
29	1	24311-000320	O-RING, 1AP32.0	1	1					
30	1	26366-060002	NUT, M6	4	4					
31	1	129150-91400	GEAR	1	1					
33	2	24341-000240	O-RING, 1AS24.0	1	1					
34	1	26106-060162	BOLT, M6X 16 PLATED	2	2					

N:Old $\frac{New}{Old}$ New, Q:Old $\frac{New}{Old}$ New, R:Old $\frac{New}{Old}$ New, S:Old $\frac{New}{Old}$ New, W:Add, Z:Discontinued, F:Interchangeable by set, K:Q'ty Change
 Copyright (C) YANMAR CO., LTD. All Rights Reserved.

Fig.5. LUB.OIL SUMP

Fig. 5 LUB. OIL SUMP

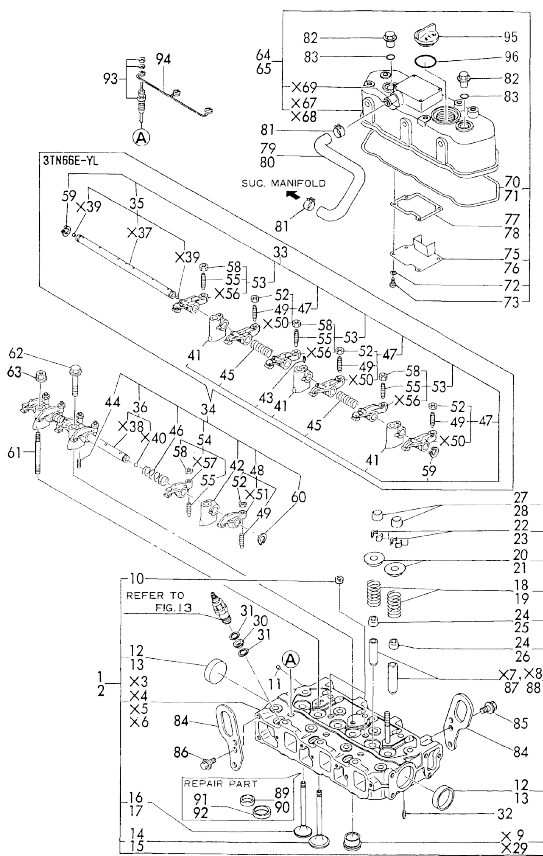


No.	Lev.	Parts No.	Description	Q'ty					
				(A)	(B)	(C)	(D)	(E)	(F)
1	1	119454-01721	SPACER, OIL SUMP	1					
2	1	119600-01722	SPACER, OIL SUMP		1				
3	1	119285-01800	PLATE, OIL SUMP	1					
4	1	119685-01740	PLATE, OIL SUMP			1			
5	1	119810-01770	SUMP ASSY, OIL	1					
6	1	129100-01760	SUMP ASSY, OIL			1			
9	2	171301-01640	PLUG, 22	1	1				
10	2	24341-000240	O-RING, 1AS24.0	1	1				
11	1	26106-060142	BOLT, M6X 14 PLATED	2					
12	1	26106-060202	BOLT, M6X 20 PLATED	1	3				
13	1	26106-060452	BOLT, M6X 45 PLATED	17	3				
14	1	26106-060502	BOLT, M6X 50 PLATED			14			
15	1	26106-060552	BOLT, M6X 55 PLATED	3	3				
16	1	26106-080102	BOLT, M8X 10 PLATED	22	22				

N:Old ¹⁰⁰/₁₀₀ New, Q:Old ¹⁰⁰/₁₀₀ New, R:Old ¹⁰⁰/₁₀₀ New, S:Old ¹⁰⁰/₁₀₀ New, W:Add, Z:Discontinued, F:Interchangeable by set, K:Q'ty Change
 Copyright (C) YANMAR CO., LTD. All Rights Reserved.

Fig.6. CYLINDER HEAD & BONNET

Fig.6 CYLINDER HEAD & BONNET



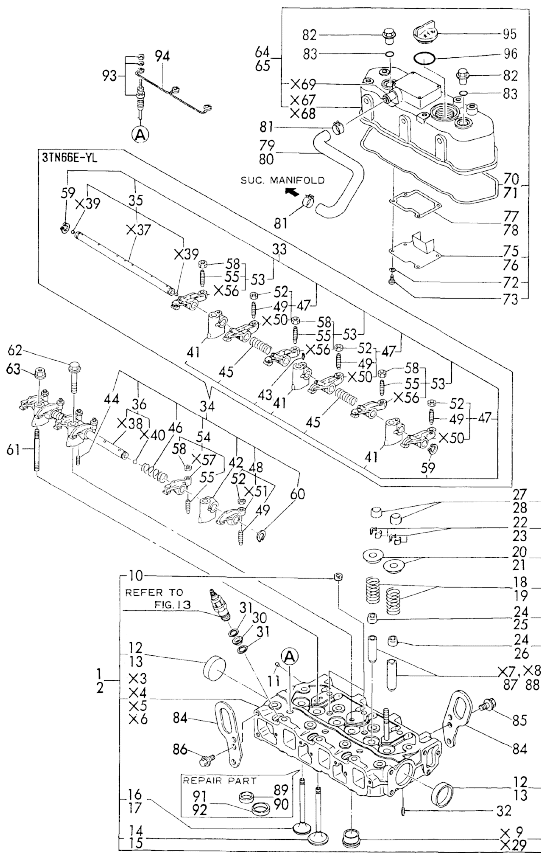
No.	Lev.	Parts No.	Description	Q'ty						I	R
				(A)	(B)	(C)	(D)	(E)	(F)		
1	1	719260-11700	HEAD ASSY, CYLINDER								
2	1	719660-11700	HEAD ASSY, CYLINDER	1							
2-1	1	119629-11700	HEAD ASSY, CYLINDER		1						N
				(B=E# 63253)							
10	3	121850-11860	PLUG, PT1/4		2	2					
10-1	3	23871-020000	PLUG, R02		2						N
				(A=E# 28708)							
11	3	27221-050080	PLUG, 5X 8		1	1					
12	3	27241-350000	PLUG, 35		2						
13	3	27241-400000	PLUG, 40		2						
14	2	119260-11100	VALVE, INTAKE		3						
15	2	119620-11100	VALVE, INTAKE			3					
16	2	119260-11110	VALVE, EXHAUST		3						
17	2	119620-11110	VALVE, EXHAUST			3					
18	2	114250-11120	SPRING, VALVE		6						
19	2	119620-11120	SPRING, VALVE			6					
20	2	114250-11180	RETAINER, SPRING		6						
21	2	119620-11180	RETAINER, SPRING			6					
22	2	114250-11190	COTTER		12						
23	2	101158-11190	COTTER			6					
23-1	2	27310-070001	COTTER, 7			6					N
				(B=EXXXXX)							
24	2	119260-11340	SEAL, VALVE STEM		6						
25	2	124160-11340	SEAL, VALVE STEM			3					
26	2	124950-11340	SEAL, VALVE STEM			3					
27	2	104211-11370	CAP, VALVE			6					
28	2	119260-11370	CAP, VALVE			6					
30	1	119600-11450	PROTECTOR, NOZZLE		3	3					
31	1	119600-11460	GASKET, NOZZLE		6	6					
32	1	22351-060012	PIN, SPRING 6.0X12		2	2					
33	1	119260-11200	SUPPORT ASSY, ARM		1						
34	1	119620-11200	SUPPORT ASSY, ARM			1					
35	2	119260-11240	SHAFT ASSY, ROCKER		1						
36	2	119620-11240	SHAFT ASSY, ROCKER			1					
41	2	119260-11260	SUPPORT, ROCKER ARM		3						
42	2	119620-11260	SUPPORT, ROCKER ARM			3					
43	2	119260-11270	SCREW		1						
44	2	26979-050162	SCREW, M5X16			1					
45	2	119260-11280	SPRING		2						
46	2	119620-11280	SPRING			2					
47	2	719260-11650	ARM ASSY, ROCKER		3						
48	2	719620-11650	ARM ASSY, ROCKER			3					
49	3	105010-11230	SCREW, VALVE ADJUST		3	3					
52	3	26756-060002	NUT, LOCK M6		3	3					
53	2	719260-11660	ARM ASSY, ROCKER		3						
54	2	719620-11660	ARM ASSY, ROCKER			3					
55	3	105010-11230	SCREW, VALVE ADJUST		3	3					
58	3	26756-060002	NUT, LOCK M6		3	3					
59	2	22242-000100	RING, 10		2						
60	2	22242-000120	RING, 12			2					
61	1	119620-11350	STUD			2					

N:Old $\frac{100}{100}$ New, Q:Old $\frac{100}{100}$ New, R:Old $\frac{100}{100}$ New, S:Old $\frac{100}{100}$ New, W:Add, Z:Discontinued, F:Interchangeable by set, K:Qty Change
 ++ CONTINUE ++
 Copyright (C) YANMAR CO., LTD. All Rights Reserved.

Remarks
 (1) REPAIR PART.

Fig.6. CYLINDER HEAD & BONNET

Fig.6 CYLINDER HEAD & BONNET

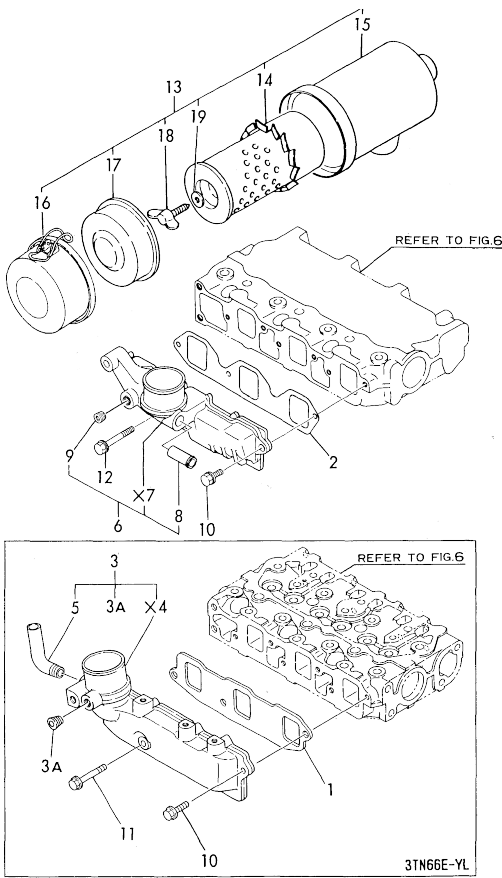


No.	Lev.	Parts No.	Description	Qty						I	R
				(A)	(B)	(C)	(D)	(E)	(F)		
62	1	26106-080452	BOLT, M8X 45 PLATED	1	1						
63	1	26366-080002	NUT, M8	2	2						
64	1	719260-11521	BONNET ASSY, HEAD	1							
64-1	1	119260-11330	BONNET ASSY, HEAD	1							N
(A=FROM 1ST)											
65	1	719620-11520	BONNET ASSY, HEAD		1						
65-1	1	119620-11330	BONNET ASSY, HEAD		1						N
(B=FROM 1ST)											
70	2	119260-11310	GASKET, BONNET		1						
71	2	119620-11310	GASKET, BONNET		1						
72	2	22217-050000	WASHER, SPRING 5	4	4						
73	2	26557-050102	SCREW, M5X10	4	4						
75	2	119260-03020	PLATE, SHELTER	1							
76	2	119620-03020	PLATE, SHELTER		1						
77	2	119260-03030	GASKET	1							
77-1	2	119260-03031	GASKET	1							N
(A=FROM 1ST)											
78	2	119620-03031	GASKET		1						
79	1	119285-03140	PIPE, BREATHER	1							
80	1	119685-03140	PIPE, BREATHER		1						
81	1	171008-03990	CLIP, HOSE 18.5	2	2						
82	1	124160-11360	KNOB	2	2						
83	1	24311-000120	O-RING, 1AP12.0	2	2						
84	1	119260-07900	LIFTER	2	2						
85	1	26106-080142	BOLT, M8X 14 PLATED	1	1						
86	1	26106-080142	BOLT, M8X 14 PLATED	2	2						
87	1	119260-11800	GUIDE, VALVE	6							1
88	1	119620-11801	GUIDE, VALVE		6						1
89	1	124190-11090	SEAT, EXHAUST VALVE	3							1
90	1	119620-11090	SEAT, EXHAUST VALVE		3						1
91	1	124190-11080	SEAT, INTAKE VALVE	3							1
92	1	119620-11080	SEAT, INTAKE VALVE		3						1
93	1	129155-77800	PLUG, GLOW	3	3						
94	1	119620-77820	CONNECTOR, GLOW PLUG	1	1						
95	1	124160-01751	COVER, FILLER	1	1						
96	1	24311-000320	O-RING, 1AP32.0	1	1						

Remarks
(1) REPAIR PART.

Fig.7. SUCTION MANIFOLD & AIR CLEANER

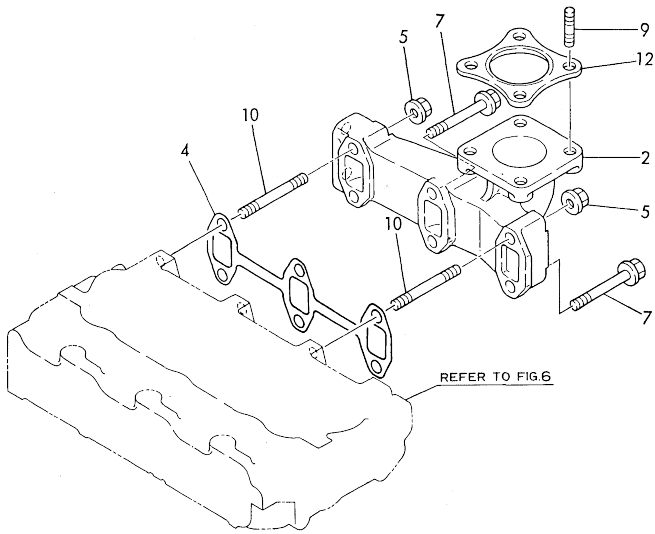
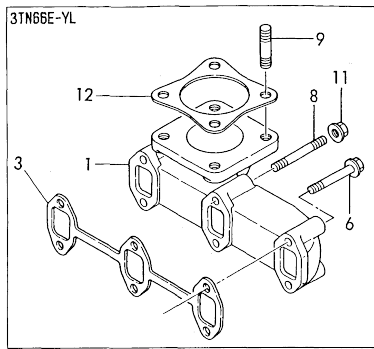
Fig.7 SUCTION MANIFOLD & AIR CLEANER



No.	Lev.	Parts No.	Description	Q'ty						I	R
				(A)	(B)	(C)	(D)	(E)	(F)		
1	1	119270-12110	GASKET, MANIFOLD	1							
2	1	119660-12111	GASKET, MANIFOLD		1						
3	1	119285-12730	MANIFOLD ASSY,INTAKE	1							
3A	2	119285-01730	PLUG, NPT1/8	1							W
		(A=E/# 28708)									
5	2	121500-12790	JOINT, PIPE PT1/4	1							
6	1	119685-12731	MANIFOLD ASSY,INTAKE		1						
8	2	104207-44480	JOINT		1						
9	2	119285-01730	PLUG, NPT1/8		1						
10	1	26106-060162	BOLT, M6X 16 PLATED		2	2					
11	1	26106-060282	BOLT, M6X 28 PLATED		1						
12	1	26106-060452	BOLT, M6X 45 PLATED			1					
13	1	124970-12500	CLEANER ASSY, AIR		1	1					
14	2	124066-12510	ELEMENT		1	1					
14-1	2	121465-12510	ELEMENT		1	1					N
		(A=E/# 25625) (B=E/# 54444)									
15	2	121450-12520	BODY, AIR CLEANER		1	1					
15-1	2	124970-12640	BODY, AIR CLEANER		1	1					N
		(A=E/# 25625) (B=E/# 54444)									
16	2	121450-12530	PAN ASSY, DUST		1	1					
16-1	2	124970-12660	PUMP ASSY, DUST		1	1					N
		(A=E/# 25625) (B=E/# 54444)									
17	2	124064-12670	BAFFLE ASSY		1	1					
17-1	2	124970-12700	RETAINER, ELEMENT		1	1					N
		(A=E/# 25625) (B=E/# 54444)									
18	2	124064-12680	BOLT		1	1					
19	2	124064-12690	WASHER		1	1					

Fig.8. EXHAUST MANIFOLD

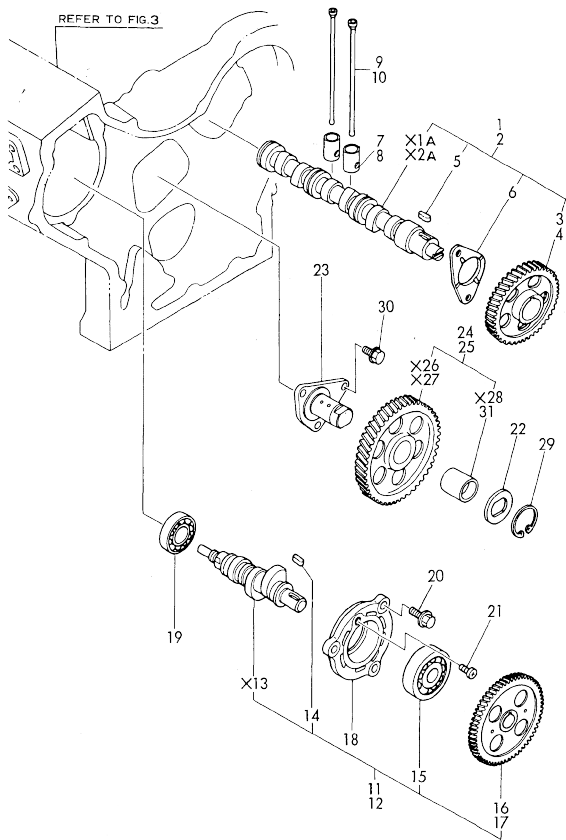
Fig.8 EXHAUST MANIFOLD



No.	Lev.	Parts No.	Description	Q'ty						I	R
				(A)	(B)	(C)	(D)	(E)	(F)		
1	1	119280-13100	MANIFOLD, EXHAUST	1							
1-1	1	119260-13100	MANIFOLD, EXHAUST	1							N
(A=E# 31344)											
2	1	119631-13101	MANIFOLD, EXHAUST		1						
2-1	1	119600-13100	MANIFOLD, EXHAUST		1						N
(B=E# 63253)											
3	1	119260-13110	GASKET		1						
4	1	119620-13110	GASKET			1					
5	1	194990-22050	NUT, M8			2					
6	1	26106-060402	BOLT, M6X 40 PLATED		4						
6-1	1	26106-060352	BOLT, M6X 35 PLATED		4						N
(A=E# 31344)											
7	1	26106-080402	BOLT, M8X 40 PLATED			4					
8	1	26216-060402	STUD, M6X 40			2					
9	1	26216-080222	STUD, M8X 22			4	4				
10	1	26216-080552	STUD, M8X 55				2				
11	1	26366-060002	NUT, M6			2					
12	1	124701-11910	GASKET, SILENCER		1	1					
12-1	1	124701-11911	GASKET, SILENCER		1	1					R
(A=E# 24889) (B=E# 42931)											

Fig.9. CAMSHAFT & DRIVING GEAR

Fig.9 CAMSHAFT & DRIVING GEAR

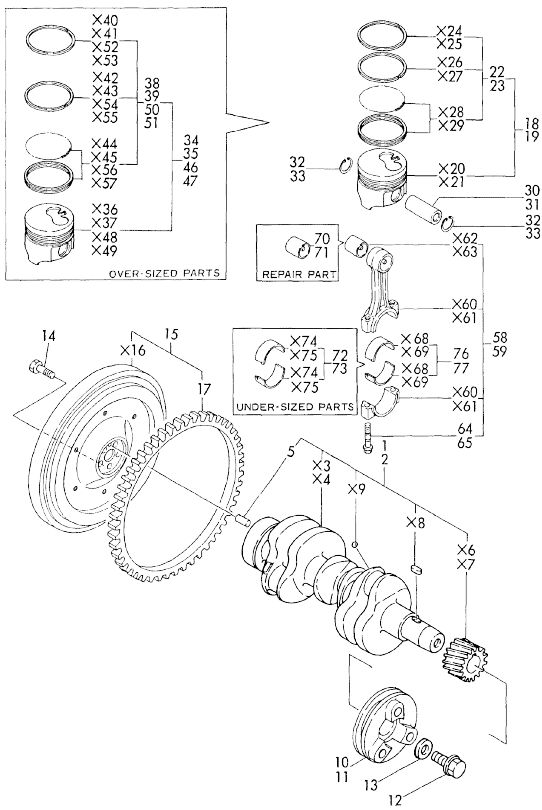


No.	Lev.	Parts No.	Description	Q'ty						I	R
				(A)	(B)	(C)	(D)	(E)	(F)		
1	1	119260-14580	CAMSHAFT ASSY	1							W
		(A=E# 28708)									
2	1	119629-14580	CAMSHAFT ASSY		1						W
		(B=E# 54444)									
3	2	119260-14100	GEAR, CAMSHAFT	1							
4	2	119620-14100	GEAR, CAMSHAFT		1						
5	2	22512-040120	KEY, 4X 12	1	1						
6	2	119620-02450	BEARING, THRUST	1	1						
7	1	119260-14200	TAPPET	6							
8	1	119620-14200	TAPPET		6						
9	1	119260-14400	ROD, PUSH	6							
10	1	119620-14400	ROD, PUSH		6						
11	1	119225-14200	CAM ASSY	1							W
		(A=EXXX)									
12	1	719660-14590	CAMSHAFT		1						W
		(B=EXXX)									
14	2	22512-040120	KEY, 4X 12	1	1						
15	2	24102-063034	BEARING, BALL 6303U	1	1						
16	2	119260-25900	GEAR, PUMP	1							
17	2	119660-25902	GEAR, PUMP		1						
18	1	119660-01821	BEARING, FUEL CAM	1	1						
19	1	24101-062034	BEARING, BALL 6203	1	1						
20	1	26106-060162	BOLT, M6X 16 PLATED	3	3						
21	1	26587-080102	SCREW, M8X10	1	1						
22	1	119660-25022	RETAINER	1	1						
23	1	119660-25052	SHAFT, IDLE	1	1						
24	1	119260-25100	GEAR ASSY, IDLE	1							
25	1	119620-25102	GEAR ASSY, IDLE		1						
29	1	22242-000200	RING, 20	1	1						
30	1	26106-060122	BOLT, M6X 12 PLATED	3	3						
31	1	119620-25912	BUSH	1	1						1

Remarks
(1) REPAIR PART.

Fig.10. CRANKSHAFT & PISTON

Fig. 10 CRANKSHAFT & PISTON



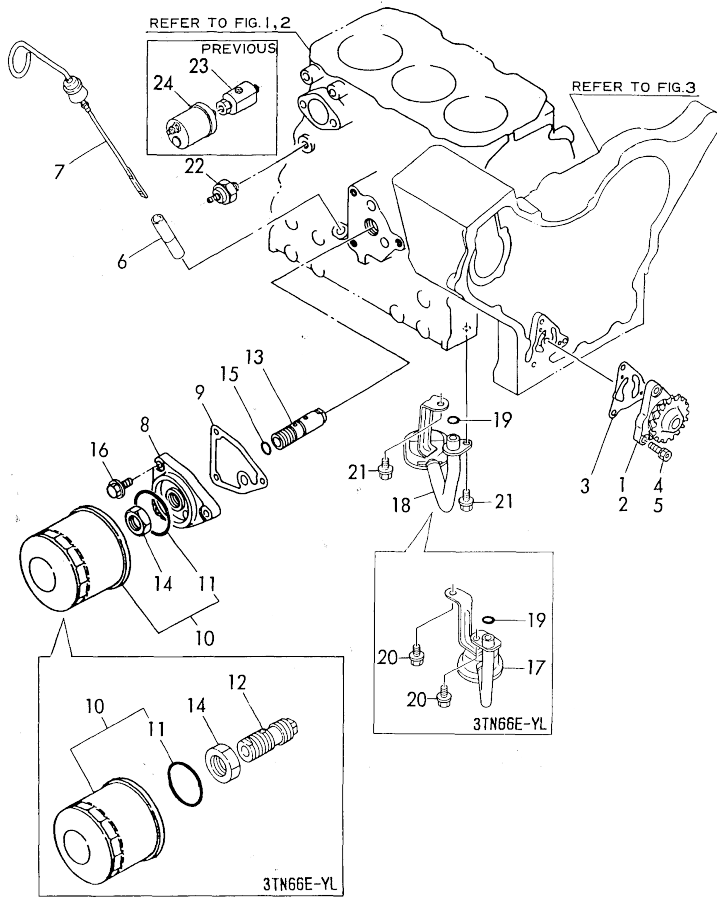
No.	Lev.	Parts No.	Description	Qty						I	R	
				(A)	(B)	(C)	(D)	(E)	(F)			
1	1	719260-21700	CRANKSHAFT ASSY									
2	1	719660-21700	CRANKSHAFT ASSY	1								
5	2	129100-01580	PIN, M8X16		1	1						
10	1	119260-21650	V-PULLEY	1								
11	1	119660-21651	V-PULLEY			1						
12	1	119621-21680	BOLT, FLANGE 12X1.25	1								
13	1	119620-21941	WASHER	1								
14	1	119620-21500	BOLT, FLYWHEEL	5	5							
15	1	119385-21580	FLYWHEEL ASSY	1	1							
17	2	124060-21600	GEAR, RING	1	1							
18	1	119285-22091	PISTON ASSY	3								
19	1	119685-22090	PISTON ASSY			3						
22	2	719285-22500	RING SET, PISTON	3								
23	2	719685-22500	RING SET, PISTON			3						
30	1	119260-22300	PIN, PISTON	3								
31	1	119620-22300	PIN, PISTON			3						
32	1	22252-000200	RING, 20	6								
33	1	22252-000210	RING, 21		6							
34	1	119285-22821	PISTON ASSY, 0.25 OS	3								1
35	1	119685-22820	PISTON ASSY, 0.25 OS			3						1
38	2	719285-22541	RING SET, 0.25 OS	3								1
39	2	719685-22540	RING SET, 0.25 OS			3						1
46	1	119285-22131	PISTON ASSY, 0.50 OS	3								2
47	1	119685-22130	PISTON ASSY, 0.50 OS			3						2
50	2	719285-22401	RING SET, 0.50 OS	3								2
51	2	719685-22400	RING SET, 0.50 OS			3						2
58	1	719260-23100	ROD ASSY, CONNECTING	3								
59	1	719620-23100	ROD ASSY, CONNECTING			3						
64	2	119260-23200	BOLT, CONNECTING ROD	6								
65	2	105225-23200	BOLT, CONNECTING ROD			6						
70	1	119260-23910	BEARING, PISTON PIN	3								3
71	1	119620-23910	BEARING, PISTON PIN			3						3
72	1	719260-23610	BEARING ASSY, 0.25	3								4
73	1	719620-23610	BEARING ASSY, 0.25			3						4
76	1	719260-23600	BEARING, CRANK PIN	3								
77	1	719260-23600	BEARING, CRANK PIN			3						

Remarks

- (1) OVERSIZED(O.S=0.25) PART.
- (2) OVERSIZED(O.S=0.50) PART.
- (3) REPAIR PART.
- (4) UNDERSIZED(U.S=0.25) PART.

Fig.11. LUB. OIL SYSTEM

Fig. 11 LUB. OIL SYSTEM

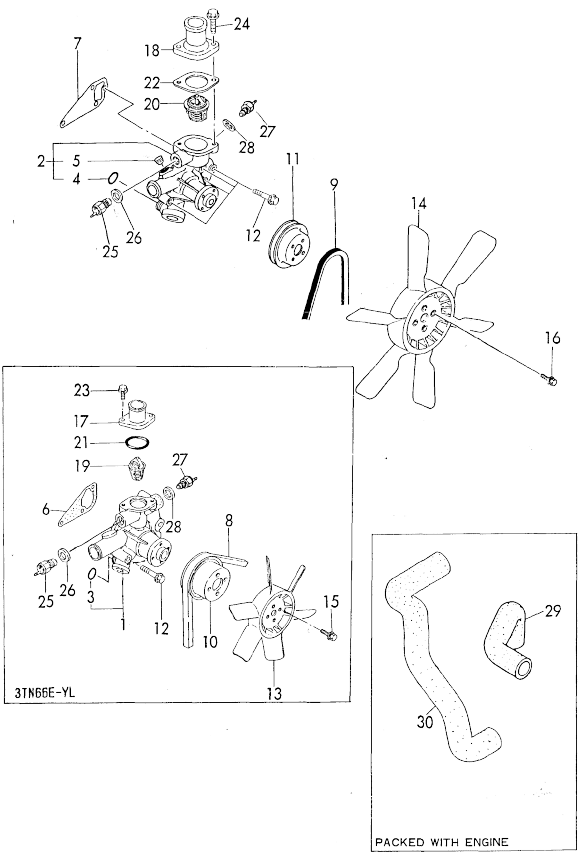


No.	Lev.	Parts No.	Description	Qty						I	R	
				(A)	(B)	(C)	(D)	(E)	(F)			
1	1	119285-32000	PUMP ASSY, LUB. OIL	1								
2	1	119660-32001	PUMP ASSY, OIL		1							
3	1	119660-32020	GASKET, PUMP	1								
4	1	26013-060202	BOLT, M6X 20		3							
4-1	1	26450-060202	BOLT, M6X 20		3							N
(A=E# 28708)												
5	1	26450-060202	BOLT, M6X 20							3		
6	1	121520-34810	GUIDE, DIPSTICK		1					1		
7	1	119600-34820	DIPSTICK, OIL		1					1		
8	1	119660-35102	BRACKET, FILTER							1		
9	1	119660-35113	GASKET							1		
10	1	119660-35150	FILTER, LUB. OIL							1		
11	2	124450-35110	O-RING							1		
12	1	119225-35300	VALVE ASSY,OIL PRESS							1		
13	1	119660-35300	VALVE ASSY, CONTROL							1		
14	1	129150-35350	NUT							1		
15	1	24311-000160	O-RING, 1AP16.0							1		
16	1	26106-080202	BOLT, M8X 20 PLATED							3		
17	1	119260-35081	PIPE, OIL INLET							1		
18	1	119600-35091	PIPE ASSY, OIL INLET							1		
19	1	24311-000120	O-RING, 1AP12.0							1		
20	1	26106-060122	BOLT, M6X 12 PLATED							2		
21	1	26106-060102	BOLT, M6X 10 PLATED							2		
22	1	124160-39450	SWITCH, 0.5KG							1		
23	1	171375-39600	DAMPER ASSY							1		Z
(A=E# 31344) (B=E# 63253)												
24	1	144626-91560	SENSOR							1		Z
(A=E# 31344) (B=E# 63253)												

N:Old $\frac{100}{100}$ New, Q:Old $\frac{100}{100}$ New, R:Old $\frac{100}{100}$ New, S:Old $\frac{100}{100}$ New, W:Add, Z:Discontinued, F:Interchangeable by set, K:Qty Change
 Copyright (C) YANMAR CO., LTD. All Rights Reserved.

Fig.12. COOLING WATER SYSTEM

Fig. 12 COOLING WATER SYSTEM

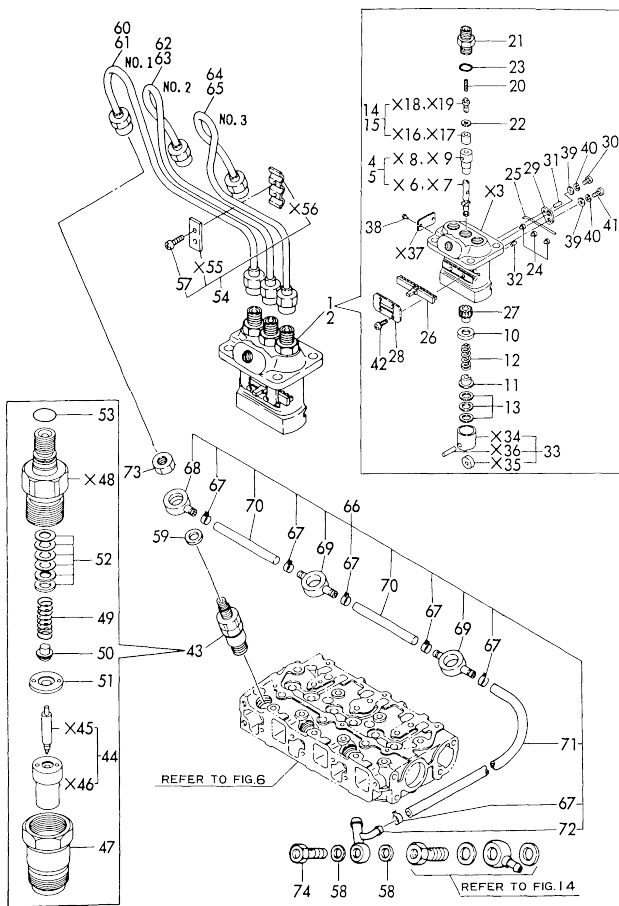


No.	Lev.	Parts No.	Description	Q'ty						I	R
				(A)	(B)	(C)	(D)	(E)	(F)		
1	1	119260-42000	PUMP ASSY, WATER	1							
1-1	1	119260-42001	PUMP ASSY, WATER	1							N
(A=FROM 1ST)											
2	1	119660-42004	PUMP ASSY, WATER		1						
3	2	119225-42320	O-RING	1							
4	2	119620-42320	O-RING		1						
5	2	23871-030000	PLUG, R03			1					
6	1	119260-42020	GASKET, WATER PUMP	1							
7	1	119620-42020	GASKET, WATER PUMP			1					
8	1	119225-42290	V-BELT, FM34.0	1							
8-1	1	104514-42780	V-BELT, HM33	1							N
(A=FROM 1ST)											
9	1	119640-42290	V-BELT, FM36.5		1						
10	1	119620-42350	V-PULLEY	1							
11	1	119660-42350	V-PULLEY		1						
12	1	26106-080452	BOLT, M8X 45 PLATED	3	4						
13	1	119225-44740	FAN, COOLING D=275	1							
14	1	121465-44740	FAN, COOLING		1						
15	1	26014-060142	BOLT, M6X 14	4							
16	1	26106-060122	BOLT, M6X 12 PLATED		4						
17	1	119260-49530	COVER, THERMOSTAT	1							
18	1	129350-49530	COVER, THERMOSTAT		1						
19	1	119260-49800	THERMOSTAT, 71	1							
20	1	129350-49800	THERMOSTAT, 71		1						
21	1	24321-000350	O-RING, 1AG35.0	1							
22	1	129350-49541	GASKET		1						
23	1	26106-060182	BOLT, M6X 18 PLATED	2							
24	1	26106-080202	BOLT, M8X 20 PLATED		2						
25	1	121250-44901	SWITCH, 110	1	1						
26	1	124465-44950	GASKET, 16	1	1						
27	1	124250-49351	SENSOR	1	1						
27-1	1	121450-42450	PLUG, M16		1						N
(A=E/# 31344) (B=E/# 63253)											
28	1	129150-49360	GASKET	1	1						
28-1	1	124465-44950	GASKET, 16	1	1						N
(A=E/# 31344) (B=E/# 63253)											
29	1	119645-49010	PIPE, WATER	1	1						1
30	1	119645-49020	PIPE, WATER	1	1						1

Remarks
(1) PACKED WITH ENGINE.

Fig.13. FUEL INJECTION DEVICE

Fig. 13 FUEL INJECTION DEVICE

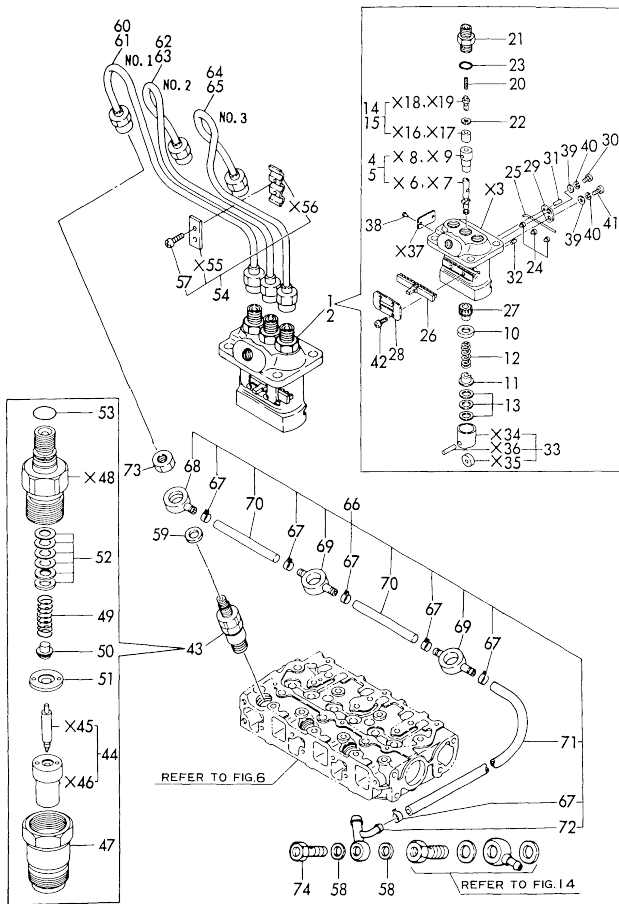


No.	Lev.	Parts No.	Description	Qty						I	R
				(A)	(B)	(C)	(D)	(E)	(F)		
1	1	719225-51100	PUMP ASSY, INJECTION	1							
2	1	719621-51100	PUMP ASSY, INJECTION		1						
4	2	119225-51100	PLUNGER ASSY	3							
5	2	119620-51101	PLUNGER ASSY		3						
10	2	119620-51170	RETAINER, SPRING A	3	3						
11	2	119620-51180	RETAINER, SPRING B	3	3						
12	2	119620-51190	SPRING, PLUNGER	3	3						
13	2	119620-51250	SHIM SET	3	3						
14	2	119225-51300	VALVE ASSY, DELIVERY	3							
15	2	119620-51300	VALVE ASSY, DELIVERY		3						
20	2	105546-51330	SPRING, DELIVERY	3	3						
21	2	119620-51340	HOLDER, DELIVERY	3	3						
22	2	119620-51350	GASKET	3	3						
23	2	119620-51370	O-RING	3	3						
24	2	119620-51450	PIECE	3	3						
25	2	119620-51461	PIN	1	1						
26	2	119660-51500	RACK, CONTROL	1	1						
27	2	119620-51510	PINION	3	3						
28	2	119660-51530	RETAINER, RACK	1	1						
29	2	119620-51650	PLATE	2	2						
30	2	119620-51660	SCREW	2	2						
31	2	119620-51670	PIN	2	2						
32	2	119620-51680	PIN	1	1						
33	2	119620-51700	TAPPET ASSY	3	3						
38	2	102210-07990	RIVET	2	2						
39	2	22137-040000	WASHER, 4	2	2						
40	2	22217-040000	WASHER, SPRING 4	2	2						
41	2	26022-040082	SCREW, M4X 8	4	4						
42	2	26587-040102	SCREW, M4X10	2	2						
43	1	719620-53100	VALVE ASSY, INJECTION	3	3						
44	2	119620-53000	VALVE ASSY, INJECTION	3	3						
47	2	119620-53080	NUT, NOZZLE	3	3						
49	2	119620-53120	SPRING, NOZZLE	3	3						
50	2	114250-53130	SEAT, SPRING	3	3						
51	2	119620-53140	SPACER, VALVE STOP	3	3						
52	2	114250-53400	SHIM SET	3	3						
53	2	129155-61830	O-RING, S10	3	3						
53-1	2	129155-51580	O-RING	3	3						N
(A=E/# 31344) (B=E/# 63253)											
54	1	129150-59120	RETAINER, PIPE	1	1						
57	2	129150-59130	BOLT, M4X12	2	2						
58	1	23414-080012	GASKET, 8X1.0	2	2						
59	1	23414-140000	GASKET, 14X1.0	3	3						
60	1	119225-59810	PIPE ASSY, INJECTION	1							
61	1	119620-59811	PIPE ASSY, INJECTION		1						
62	1	119260-59820	PIPE ASSY, INJECTION	1							
63	1	119620-59821	PIPE ASSY, INJECTION		1						
64	1	119260-59830	PIPE ASSY, INJECTION	1							
65	1	119620-59831	PIPE ASSY, INJECTION		1						
66	1	119642-59540	PIPE ASSY, RETURN	1	1						
67	2	124066-59100	CLIP, HOSE 8	6	6						

N:Old $\frac{100}{100}$ New, Q:Old $\frac{100}{100}$ New, R:Old $\frac{100}{100}$ New, S:Old $\frac{100}{100}$ New, W:Add, Z:Discontinued, F:Interchangeable by set, K:Qty Change
 ++ CONTINUE ++
 Copyright (C) YANMAR CO., LTD. All Rights Reserved.

Fig.13. FUEL INJECTION DEVICE

Fig. 13 FUEL INJECTION DEVICE

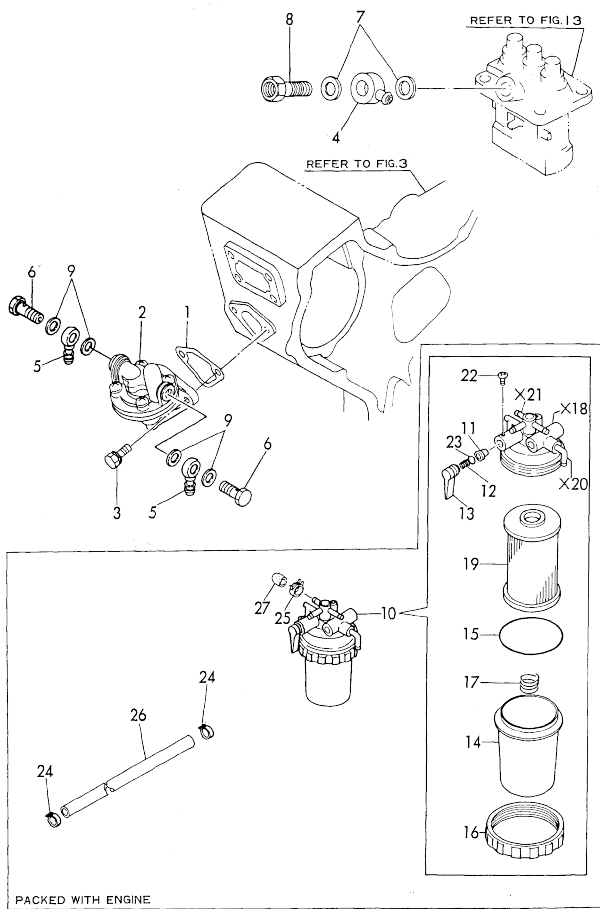


No.	Lev.	Parts No.	Description	Q'ty						
				(A)	(B)	(C)	(D)	(E)	(F)	
68	2	119260-59520	JOINT	1	1					
69	2	119260-59530	JOINT	2	2					
70	2	105025-59550	PIPE, FUEL RETURN	2	2					
71	2	119642-59550	PIPE, FUEL RETURN	1	1					
72	2	119642-59570	JOINT, OVER FLOW	1	1					
73	1	119620-59700	NUT, NOZZLE	3	3					
74	1	124550-59820	BOLT, PIPE JOINT M8	1	1					

N:Old $\frac{New}{Old}$ New, Q:Old $\frac{New}{Old}$ New, R:Old $\frac{New}{Old}$ New, S:Old $\frac{New}{Old}$ New, W:Add, Z:Discontinued, F:Interchangeable by set, K:Q'ty Change
Copyright (C) YANMAR CO., LTD. All Rights Reserved.

Fig.14. FUEL LINE

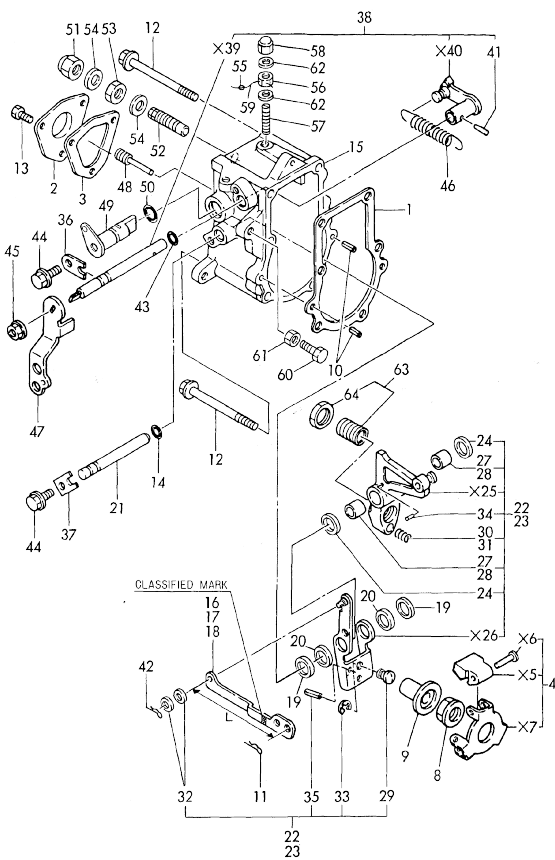
Fig. 14 FUEL LINE



No.	Lev.	Parts No.	Description	Q'ty						I	R
				(A)	(B)	(C)	(D)	(E)	(F)		
1	1	121520-01851	GASKET	1	1						
2	1	119600-52021	PUMP ASSY, FUEL FEED	1	1						
2-1	1	121520-01860	COVER		1						N
(A=E# 31344) (B=E# 63253)											
3	1	26014-060202	BOLT, M6X 20	2	2						
3-1	1	26106-060162	BOLT, M6X 16 PLATED	2							N
(A=E# 31344) (B=E# 63253)											
4	1	101304-59020	JOINT, PIPE 12	1	1						
5	1	104264-59030	JOINT, PIPE 8	2	2						
6	1	105582-59150	BOLT, PIPE JOINT	2	2						
7	1	104200-59170	GASKET, 12	2	2						
8	1	119650-59200	BOLT, PIPE JOINT M12	1	1						
9	1	23414-080012	GASKET, 8X1.0	4	4						
10	1	119632-55620	FILTER ASSY, FUEL	1	1						
11	2	104200-55321	VALVE, TAPER	1	1						
12	2	104200-55330	SPRING, VALVE	1	1						
13	2	119810-55340	LEVER	1	1						
14	2	121254-55510	COVER	1	1						
15	2	102103-55520	O-RING	1	1						
16	2	110250-55610	RING, RETAINING	1	1						
17	2	121250-55620	SPRING	1	1						
19	2	124550-55700	FILTER, FUEL L=90	1	1						
22	2	104200-55750	SCREW, M4	1	1						
23	2	24311-240100	O-RING, 1AP10A	1	1						
24	1	124766-59050	CLIP, HOSE 12	8	8						
25	1	124066-59100	CLIP, HOSE 8	1	1						
26	1	105225-59520	PIPE, FUEL	1	1						
27	1	129150-59580	CAP	1	1						

Fig.15. GOVERNOR

Fig. 15 GOVERNOR



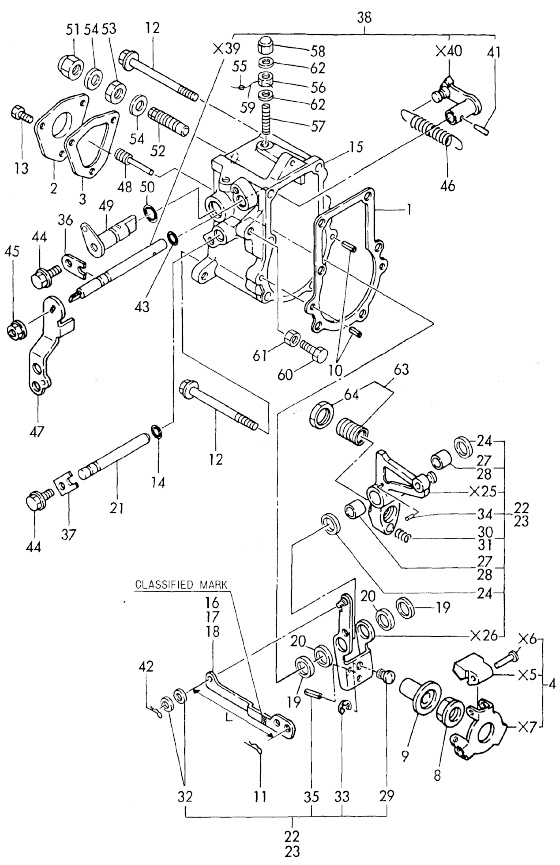
No.	Lev.	Parts No.	Description	Q'ty						I	R
				(A)	(B)	(C)	(D)	(E)	(F)		
1	1	119660-61052	GASKET	1	1						
2	1	119660-61060	COVER, GOVERNOR CASE	1	1						
3	1	119660-61071	GASKET	1	1						
4	1	119600-61200	WEIGHT ASSY, GOVERNOR	1	1						
8	1	119660-61300	NUT	1	1						
9	1	119660-61341	SLEEVE	1	1						
10	1	22351-040010	PIN, SPRING 4.0X10	2	2						
11	1	22360-060000	PIN, SNAP 6	1	1						
12	1	26106-060702	BOLT, M6X 70 PLATED	6	6						
13	1	26116-050102	BOLT, M5X 10 PLATED	3	3						
14	1	129155-51280	O-RING, S6	1	1						
15	1	119660-61013	CASE, GOVERNOR	1	1						
16	1	119660-61121	LINK, NO MARK	1	1						1
17	1	119660-61140	LINK, MARK :2	1	1						1
18	1	119660-61150	LINK, MARK :3	1	1						1
19	1	119660-61460	SHIM SET	1	1						
20	1	129155-61480	SPACER ASSY	2	2						
21	1	119660-61491	SHAFT	1	1						
22	1	119600-61500	LEVER ASSY, GOVERNOR		1						
23	1	119656-61500	LEVER ASSY, GOVERNOR	1							
24	2	174307-51700	SHIM SET	2	2						
27	2	121450-61520	BEARING, NEEDLE 8	2							
28	2	129155-61530	BUSH		2						
29	2	119600-61540	SHIFTER	1	1						
30	2	119660-61651	SPRING, STARTING	1							
31	2	119600-61650	SPRING, STARTING		1						
32	2	22117-040000	WASHER, 4	2	2						
32-1	2	22117-040000	WASHER, 4	1							K
(A=E# 28708)											
33	2	22272-000040	RING, E- 4	1	1						
34	2	22351-020004	PIN, SPRING 2.0X 4	1	1						
35	2	22351-030014	PIN, SPRING 3.0X14	1	1						
36	1	119600-61900	RETAINER, SHAFT	1	1						
37	1	119660-61901	RETAINER, SHAFT	1	1						
38	1	119621-66091	SHAFT ASSY	1	1						
41	2	22322-030160	PIN, TAPER 3X16	1	1						
42	1	22360-040000	PIN, SNAP 4	1	1						
43	1	24341-000070	O-RING, 1AS7.0	1	1						
44	1	26106-060102	BOLT, M6X 10 PLATED	2	2						
45	1	194990-22050	NUT, M8	1	1						
46	1	119600-66020	SPRING, REGULATOR	1	1						
47	1	119621-66051	LEVER, REGULATOR	1	1						
48	1	124250-03640	SCREW	1	1						
49	1	119643-66560	LEVER, STOP	1	1						
50	1	24311-240100	O-RING, 1AP10A	1	1						
51	1	129100-61930	NUT, CAP	1	1						
52	1	119600-66530	LIMITER ASSY, FUEL	1	1						
53	1	124772-66750	NUT, LOCK M12	1	1						
54	1	43400-500450	SEAL WASHER 12S	2	2						
55	1	135210-61090	LEAD	1	1						
56	1	124550-66370	NUT, M6	1	1						

Remarks
(1) SELECTIVE PART.

N:Old $\frac{100}{100}$ New, Q:Old $\frac{100}{100}$ New, R:Old $\frac{100}{100}$ New, S:Old $\frac{100}{100}$ New, W:Add, Z:Discontinued, F:Interchangeable by set, K:Q'ty Change
 ++ CONTINUE ++
 Copyright (C) YANMAR CO., LTD. All Rights Reserved.

Fig.15. GOVERNOR

Fig. **15** GOVERNOR



(A)=3TN66E-YL
(B)=3TNA72E-YL
(C)=

(D)=
(E)=
(F)=

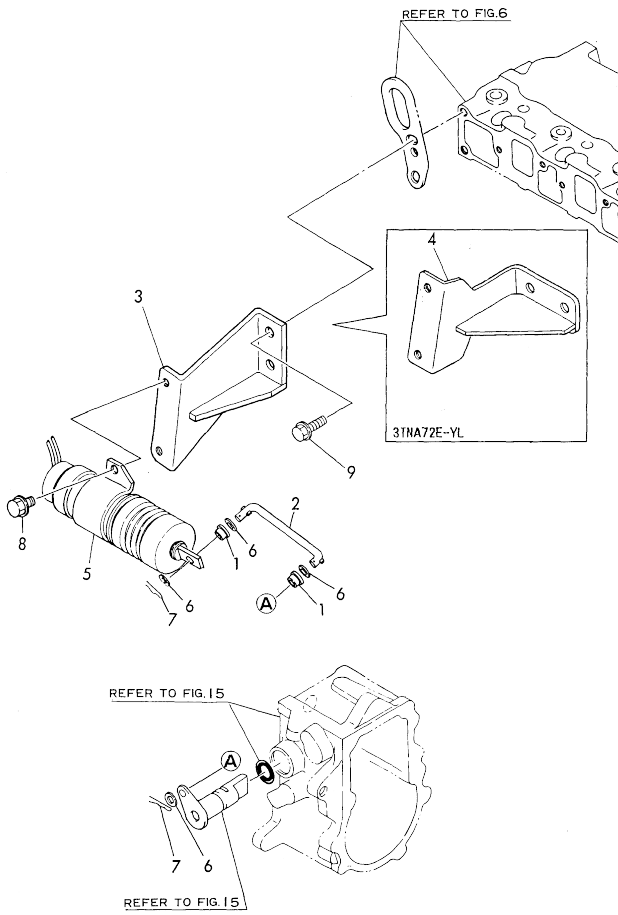
No.	Lev.	Parts No.	Description	Q'ty						I	R
				(A)	(B)	(C)	(D)	(E)	(F)		
57	1	121575-66830	SCREW	1	1						
58	1	119600-66840	NUT, CAP	1	1						
59	1	22451-060000	WIRE, 0.6	1	1						
60	1	26116-060304	BOLT, M6X 30 PLATED	1	1						
61	1	26756-060002	NUT, LOCK M6	1	1						
62	1	43400-500400	SEAL WASHER 6	2	2						
63	1	119600-66720	ANGLEICH ASSY	1	1						
64	2	129155-61590	NUT, LOCK	1	1						

Remarks
(1) SELECTIVE PART.

N:Old $\frac{100}{100}$ New, Q:Old $\frac{100}{100}$ New, R:Old $\frac{100}{100}$ New, S:Old $\frac{100}{100}$ New, W:Add, Z:Discontinued, F:Interchangeable by set, K:Q'ty Change
Copyright (C) YANMAR CO., LTD. All Rights Reserved.

Fig.16. ENGINE STOP DEVICE

Fig. **16** ENGINE STOP DEVICE

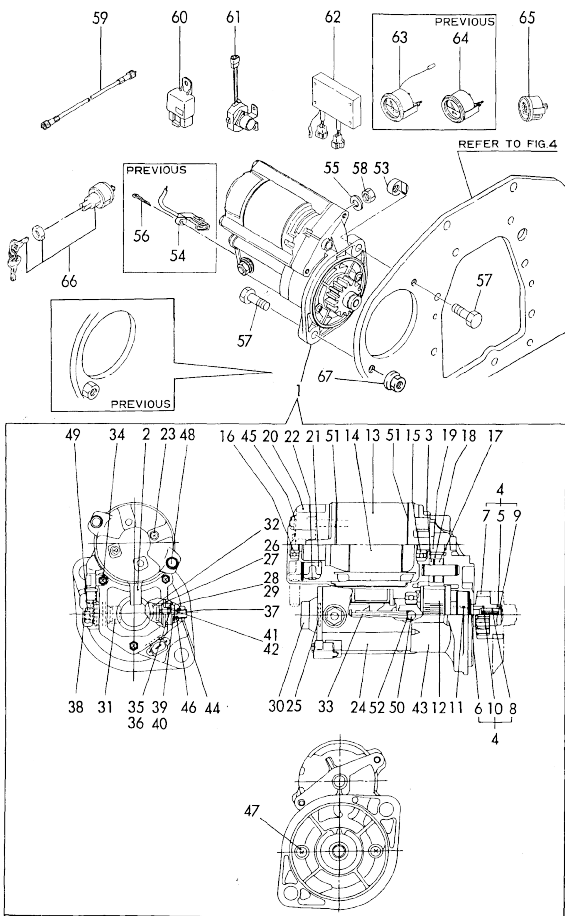


(A)=3TN66E-YL
(B)=3TNA72E-YL
(C)= (D)=
(E)= (F)=

No.	Lev.	Parts No.	Description	Q'ty						I	R
				(A)	(B)	(C)	(D)	(E)	(F)		
1	1	119245-66400	BUSH		2	2					
2	1	119643-66532	LINK, SOLENOID		1	1					
3	1	119241-66541	BRACKET, SOLENOID		1						
4	1	119643-66541	BRACKET, SOLENOID				1				
5	1	129155-66800	SOLENOID		1	1					
6	1	22137-040000	WASHER, 4		4	4					
7	1	22360-040000	PIN, SNAP 4		2	2					
8	1	26106-060102	BOLT, M6X 10 PLATED		2	2					
9	1	26106-080182	BOLT, M8X 18 PLATED		2	2					

Fig.17. STARTING MOTOR

Fig. 17 STARTING MOTOR

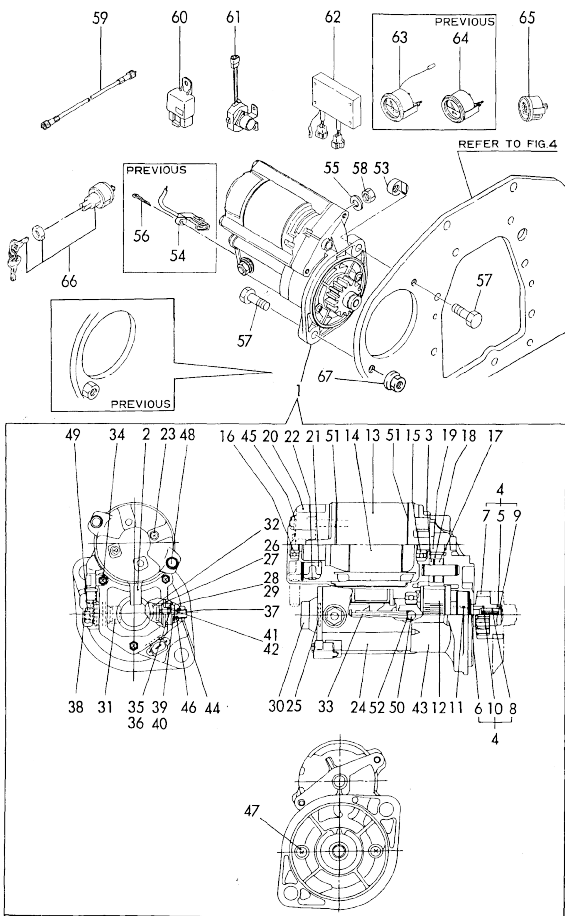


No.	Lev.	Parts No.	Description	Qty						I	R
				(A)	(B)	(C)	(D)	(E)	(F)		
1	1	121120-77011	STARTER	1	1						
2	2	X0280620480	COVER	1	1						
3	2	X0280630011	RETAINER	1	1						
4	2	X0280992381	CLUTCH KIT	1	1						
5	3	X0280210230	NUT	1	1						
6	3	X0283270140	RETAINER	1	1						
7	3	X0283711770	PINION	1	1						
8	3	X0283810040	SHAFT	1	1						
9	3	X9490721080	RING	1	1						
10	3	X9491703371	SPRING, COIL	1	1						
11	3	X9491704260	SPRING	1	1						
12	3	121120-77930	CASE ASSY, STARTER	1	1						
13	2	X0281003770	YOKE ASSY	1	1						
14	2	X0282002320	HOUSING ASSY	1	1						
15	3	X9491002590	BALL BEARING	1	1						
16	3	X9491002760	BALL BEARING	1	1						
17	2	X0283060061	ROLLER	5	5						
18	2	X0283711420	PINION	1	1						
19	2	X0283712360	PINION	1	1						
20	2	X0285011600	FRAME	1	1						
21	2	X0285100750	HOLDER ASSY, BRUSH	1	1						
22	3	X9491730461	SPRING	1	1						
23	2	X0289030010	SCREW	2	2						
24	2	X0534006470	SWITCH ASSY, MAGNET.	1	1						
25	3	X0534040320	GASKET	1	1						
26	3	X0534490120	BUSH	1	1						
27	3	X0534490120	BUSH	1	1						
28	3	X0534490230	BUSH	1	1						
29	3	X0534490230	BUSH	1	1						
30	3	X0535050620	COVER	1	1						
31	3	X0535130241	PLATE (B)	1	1						
32	3	X0535130320	PLATE (A)	1	1						
33	3	X0536600401	PLUNGER	1	1						
34	3	X9151005141	BOLT W/WASHER	3	3						
35	3	X9490170900	WASHER	1	1						
36	3	X9490170900	WASHER	1	1						
37	3	X9490441303	BOLT	1	1						
38	3	X9490441312	BOLT	1	1						
39	3	X9490502820	NUT	1	1						
40	3	X9490502820	NUT	1	1						
41	3	X9491402100	O-RING	1	1						
42	3	X9491402100	O-RING	1	1						
43	2	X1284000710	HOUSING	1	1						
44	2	X9019008651	NUT	1	1						
45	2	X9025806001	WASHER	2	2						
46	2	X9025808001	WASHER	1	1						
47	2	X9490071970	SCREW W/WASHER	2	2						
48	2	X9490422570	BOLT	2	2						
49	2	X9490561370	NUT	1	1						
50	2	X9491200240	BALL	1	1						
51	2	X9491403700	O-RING	2	2						

N:Old $\frac{100}{100}$ New, Q:Old $\frac{100}{100}$ New, R:Old $\frac{100}{100}$ New, S:Old $\frac{100}{100}$ New, W:Add, Z:Discontinued, F:Interchangeable by set, K:Qty Change
 ++ CONTINUE ++
 Copyright (C) YANMAR CO., LTD. All Rights Reserved.

Fig.17. STARTING MOTOR

Fig.17 STARTING MOTOR

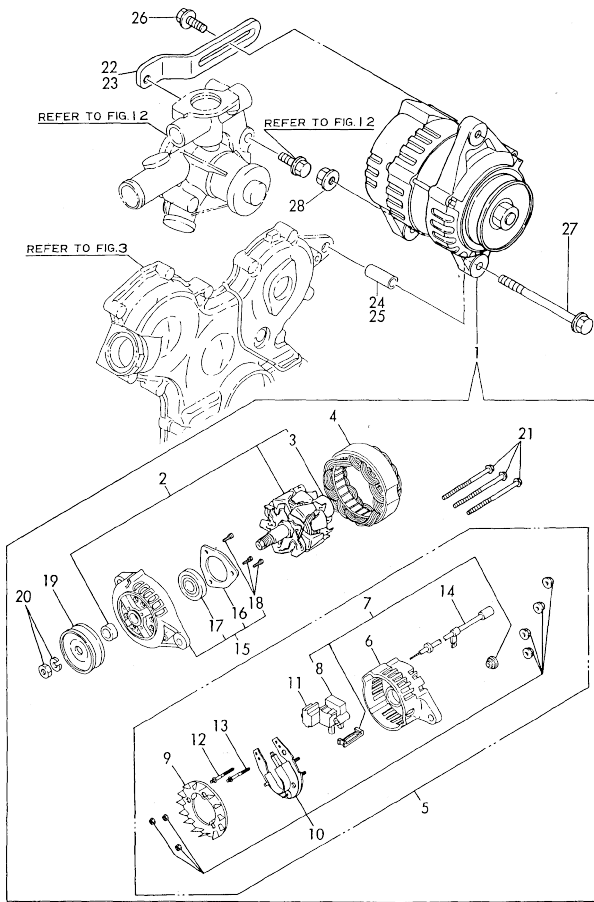


(A)=3TN66E-YL
(B)=3TNA72E-YL
(C)=
(D)=
(E)=
(F)=

No.	Lev.	Parts No.	Description	Q'ty						I	R
				(A)	(B)	(C)	(D)	(E)	(F)		
52	2	X9491703380	SPRING	1	1						
53	1	119285-77050	NUT	1	1						
54	1	119643-77900	CONNECTOR, STARTER	1	1						Z
(A=E/# 28708) (B=E/# 54444)											
55	1	22217-080000	WASHER, SPRING 8	1	1						
56	1	22411-200250	COTTER PIN 2.0X 25	1	1						Z
(A=E/# 28708) (B=E/# 54444)											
57	1	26156-120302	BOLT, M12X 30 PLATED		2	2					
58	1	26756-080002	NUT, LOCK M8	1	1						
59	1	194145-56901	CABLE, HOUR-METER	1	1						
60	1	119247-77100	RELAY, SAFETY	1	1						
61	1	171051-77100	RELAY, SAFETY	1	1						
62	1	171440-77801	RELAY, EMERGENCY	1	1						
63	1	171010-77850	THERMOSTAT	1	1						Z
(A=E/# 31344) (B=E/# 63252)											
64	1	171090-91010	GAUGE	1	1						Z
(A=E/# 31344) (B=E/# 63252)											
65	1	171080-91100	TACHOMETER	1	1						
66	1	121400-91251	SWITCH, STARTER	1	1						
67	1	26376-120002	NUT, M12	1	1						W
(A=E/# 28708) (B=E/# 54444)											

Fig.18. GENERATOR

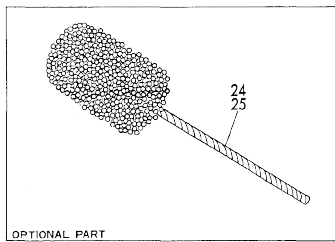
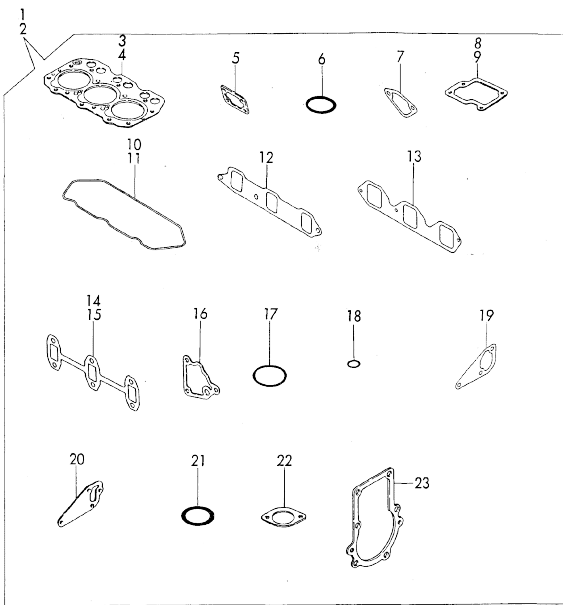
Fig. 18 GENERATOR



No.	Lev.	Parts No.	Description	Q'ty						I	R
				(A)	(B)	(C)	(D)	(E)	(F)		
1	1	119836-77200	GENERATOR	1	1						
2	2	119836-77700	ROTOR ASSY	1	1						
3	3	119836-77850	BALL BEARING	1	1						
4	2	119836-77710	STARTER ASSY	1	1						
5	2	119836-77721	COVER ASSY, REAR	1	1						
6	3	119836-77730	COVER, REAR	1	1						
7	3	119836-77741	BRUSH ASSY,REGULATOR	1	1						
8	4	119836-77750	BRUSH ASSY	1	1						
9	3	119836-77760	GUIDE, FAN SIDE	1	1						
10	3	119836-77770	DIODE ASSY	1	1						
11	3	119836-77780	CONDENSER	1	1						
12	3	119836-77871	BOLT (1)	1	1						
13	3	119836-77880	BOLT (2)	1	1						
14	3	119836-77890	WIRE ASSY, LEAD	1	1						
15	2	119836-77790	COVER ASSY, FRONT	1	1						
16	3	119836-77800	RETAINER, BEARING	1	1						
17	3	119836-77840	BALL BEARING	1	1						
18	3	119836-77860	SCREW KID	1	1						
19	2	119836-77810	PULLEY	1	1						
20	2	119836-77820	NUT ASSY, PULLEY	1	1						
21	2	119836-77830	BOLT, THROUGH	3	3						
22	1	119225-77330	ADJUSTER	1							
23	1	119660-77330	ADJUSTER	1							
23-1	1	119621-77331	ADJUSTER	1							N
(B=E# 61731)											
24	1	129150-77340	SPACER	1							
25	1	119621-77340	PIECE, DISTANCE		1						
26	1	26106-080182	BOLT, M8X 18 PLATED	1	1						
27	1	26106-081052	BOLT, M8X105 PLATED	1	1						
28	1	26366-080002	NUT, M8	1	1						

Fig.19. GASKET SET(OPTIONAL)

Fig. 19 GASKET SET (OPTIONAL)



OPTIONAL PART

No.	Lev.	Parts No.	Description	Q'ty						I	R	
				(A)	(B)	(C)	(D)	(E)	(F)			
1	1	719285-92600	GASKET SET								1	
2	1	719685-92601	GASKET SET			1						1
3	2	119225-01340	GASKET, HEAD			1						
4	2	119610-01340	GASKET, HEAD				1					
5	2	119660-01562	GASKET				1	1				
6	2	24311-000320	O-RING, 1AP32.0				2	2				
7	2	121520-01851	GASKET				1	1				
8	2	119260-03030	GASKET				1					
8-1	2	119260-03031	GASKET				1					N
(A=FROM 1ST)												
9	2	119620-03031	GASKET				1					
10	2	119260-11310	GASKET, BONNET				1					
11	2	119620-11310	GASKET, BONNET					1				
12	2	119270-12110	GASKET, MANIFOLD				1					
13	2	119660-12111	GASKET, MANIFOLD					1				
14	2	119260-13110	GASKET				1					
15	2	119620-13110	GASKET					1				
16	2	119660-35113	GASKET					1				
17	2	124450-35110	O-RING				1	1				
18	2	24311-000160	O-RING, 1AP16.0					1				
19	2	119260-42020	GASKET, WATER PUMP				1					
20	2	119620-42020	GASKET, WATER PUMP					1				
21	2	24321-000350	O-RING, 1AG35.0				1					
22	2	129350-49541	GASKET					1				
23	2	119660-61052	GASKET				1	1				
24	1	129400-92400	FLEX HORN				1					1
25	1	129400-92410	FLEX HORN				1					1

Remarks
(1) OPTIONAL PART.

Parts No. Index

Parts No.	Fig. No.	Ref. No.	Parts No.	Fig. No.	Ref. No.	Parts No.	Fig. No.	Ref. No.	Parts No.	Fig. No.	Ref. No.
101158-11190	6	23	119260-03030	19	8	119285-03140	6	79	119620-11310	6	71
101304-59020	14	4	119260-03031	6	77 -1	119285-12730	7	3	119620-11330	19	11
102103-55520	14	15		19	8 -1	119285-22091	10	18	119620-11350	6	65 -1
102210-07990	13	38	119260-07900	6	84	119285-22131	10	46	119620-11801	6	61
104200-55321	14	11	119260-11100	6	14	119285-22821	10	34	119620-11801	6	88
104200-55330	14	12	119260-11110	6	16	119285-32000	11	1	119620-13110	8	4
104200-55750	14	22	119260-11200	6	33	119285-77050	17	53		19	15
104200-59170	14	7	119260-11240	6	35	119385-21580	10	15	119620-14100	9	4
104207-44480	7	8	119260-11260	6	41	119454-01721	5	1	119620-14200	9	8
104211-11370	6	27	119260-11270	6	43	119600-01050	2	4	119620-14400	9	10
104264-59030	14	5	119260-11280	6	45	119600-01722	5	2	119620-21500	10	14
104514-42780	12	8 -1	119260-11310	6	70	119600-11450	6	30	119620-21941	10	13
105010-11230	6	49		19	10	119600-11460	6	31	119620-22300	10	31
		55	119260-11330	6	64 -1	119600-13100	8	2 -1	119620-23910	10	71
105025-59550	13	70	119260-11340	6	24	119600-34820	11	7	119620-25102	9	25
105225-23200	10	65	119260-11370	6	28	119600-35091	11	18	119620-25912	9	31
105225-59520	14	26	119260-11800	6	87	119600-52021	14	2	119620-42020	12	7
105311-01090	2	8	119260-13100	8	1 -1	119600-61200	15	4		19	20
105546-51330	13	20	119260-13110	8	3	119600-61500	15	22	119620-42320	12	4
105582-59150	14	6		19	14	119600-61540	15	29	119620-42350	12	10
110250-55610	14	16	119260-14100	9	3	119600-61650	15	31	119620-49290	1	23
114250-11120	6	18	119260-14200	9	7	119600-61900	15	36		2	22
114250-11180	6	20	119260-14400	9	9	119600-66020	15	46	119620-51101	13	5
114250-11190	6	22	119260-14580	9	1	119600-66530	15	52	119620-51170	13	10
114250-53130	13	50	119260-21650	10	10	119600-66720	15	63	119620-51180	13	11
114250-53400	13	52	119260-22300	10	30	119600-66840	15	58	119620-51190	13	12
119225-01340	19	3	119260-23200	10	64	119610-01340	2	21	119620-51250	13	13
119225-14200	9	11	119260-23910	10	70		19	4	119620-51300	13	15
119225-35300	11	12	119260-25100	9	24	119610-01490	3	1	119620-51340	13	21
119225-42290	12	8	119260-25900	9	16	119610-01590	3	8	119620-51350	13	22
119225-42320	12	3	119260-35081	11	17	119620-01200	2	20	119620-51370	13	23
119225-44740	12	13	119260-42000	12	1	119620-01620	4	6	119620-51450	13	24
119225-51100	13	4	119260-42001	12	1 -1	119620-01800	3	12	119620-51461	13	25
119225-51300	13	14	119260-42020	12	6	119620-01950	3	14	119620-51510	13	27
119225-59810	13	60		19	19	119620-02020	2	9	119620-51650	13	29
119225-77330	18	22	119260-49530	12	17	119620-02410	2	18	119620-51660	13	30
119241-66541	16	3	119260-49800	12	19	119620-02450	9	6	119620-51670	13	31
119245-66400	16	1	119260-59520	13	68	119620-03020	6	76	119620-51680	13	32
119247-77100	17	60	119260-59530	13	69	119620-03031	6	78	119620-51700	13	33
119255-01340	1	21	119260-59820	13	62		19	9	119620-53000	13	44
119260-01200	1	20	119260-59830	13	64	119620-11080	6	92	119620-53080	13	47
119260-01490	3	2	119270-12110	7	1	119620-11090	6	90	119620-53120	13	49
119260-01510	3	5 -1		19	12	119620-11100	6	15	119620-53140	13	51
119260-01590	3	9	119280-13100	8	1	119620-11110	6	17	119620-59700	13	73
119260-02020	1	10	119285-01580	4	5	119620-11120	6	19	119620-59811	13	61
119260-02410	1	19	119285-01600	4	2 -1	119620-11180	6	21	119620-59821	13	63
119260-02800	1	11	119285-01601	4	2	119620-11200	6	34	119620-59831	13	65
119260-02930	1	14	119285-01730	7	3 A	119620-11240	6	36	119620-77820	6	94
119260-03020	6	75			9	119620-11260	6	42	119621-21680	10	12
119260-03030	6	77	119285-01800	5	3	119620-11280	6	46	119621-66051	15	47

Parts No. Index

Parts No.	Fig. No.	Ref. No.	Parts No.	Fig. No.	Ref. No.	Parts No.	Fig. No.	Ref. No.	Parts No.	Fig. No.	Ref. No.
119621-66091	15	38	119660-61121	15	16	121465-12510	7	14 -1	129150-59130	13	57
119621-77331	18	23 -1	119660-61140	15	17	121465-44740	12	14	129150-59580	14	27
119621-77340	18	25	119660-61150	15	18	121500-12790	7	5	129150-77340	18	24
119629-11700	6	2 -1	119660-61300	15	8	121520-01851	14	1	129150-91400	3	31
119629-14580	9	2	119660-61341	15	9		19	7	129155-51280	15	14
119631-13101	8	2	119660-61460	15	19	121520-01860	14	2 -1	129155-51580	13	53 -1
119632-55620	14	10	119660-61491	15	21	121520-34810	11	6	129155-61480	15	20
119640-42290	12	9	119660-61651	15	30	121575-66830	15	57	129155-61530	15	28
119642-59540	13	66	119660-61901	15	37	121850-11860	6	10	129155-61590	15	64
119642-59550	13	71	119660-77330	18	23	124060-01050	1	4	129155-61830	13	53
119642-59570	13	72	119685-01740	5	4	124060-21600	10	17	129155-66800	16	5
119643-66532	16	2	119685-03140	6	80	124064-12670	7	17	129155-77800	6	93
119643-66541	16	4	119685-12731	7	6	124064-12680	7	18	129350-49530	12	18
119643-66560	15	49	119685-22090	10	19	124064-12690	7	19	129350-49541	12	22
119643-77900	17	54	119685-22130	10	47	124066-12510	7	14		19	22
119645-49010	12	29	119685-22820	10	35	124066-59100	13	67	129350-49800	12	20
119645-49020	12	30	119810-01770	5	5		14	25	129400-92400	19	24
119650-59200	14	8	119810-55340	14	13	124085-02220	4	9	129400-92410	19	25
119656-61500	15	23	119836-77200	18	1	124160-01751	3	28	135210-61090	15	55
119660-01510	3	5	119836-77700	18	2		6	95	144626-91560	11	24
119660-01551	3	25	119836-77710	18	4	124160-11340	6	25	171008-03990	6	81
119660-01562	3	26	119836-77721	18	5	124160-11360	6	82	171010-77850	17	63
	19	5	119836-77730	18	6	124160-39450	11	22	171051-77100	17	61
119660-01570	3	27	119836-77741	18	7	124190-11080	6	91	171080-91100	17	65
119660-01640	4	7	119836-77750	18	8	124190-11090	6	89	171090-91010	17	64
119660-01651	4	8	119836-77760	18	9	124250-03640	15	48	171301-01640	5	9
119660-01821	9	18	119836-77770	18	10	124250-49351	12	27	171375-39600	11	23
119660-01911	3	13	119836-77780	18	11	124450-35110	11	11	171440-77801	17	62
119660-12111	7	2	119836-77790	18	15		19	17	174307-51700	15	24
	19	13	119836-77800	18	16	124465-44950	12	26	194145-56901	17	59
119660-21651	10	11	119836-77810	18	19			28 -1	194990-22050	3	15
119660-25022	9	22	119836-77820	18	20	124550-55700	14	19		8	5
119660-25052	9	23	119836-77830	18	21	124550-59820	13	74		15	45
119660-25902	9	17	119836-77840	18	17	124550-66370	15	56	22117-040000	15	32
119660-32001	11	2	119836-77850	18	3	124701-11910	8	12		32	-1
119660-32020	11	3	119836-77860	18	18	124701-11911	8	12 -1	22137-040000	13	39
119660-35102	11	8	119836-77871	18	12	124766-59050	14	24		16	6
119660-35113	11	9	119836-77880	18	13	124772-66750	15	53	22217-040000	13	40
	19	16	119836-77890	18	14	124950-11340	6	26	22217-050000	6	72
119660-35150	11	10	121120-77011	17	1	124970-12500	7	13	22217-080000	17	55
119660-35300	11	13	121120-77930	17	12	124970-12640	7	15 -1	22242-000100	6	59
119660-42004	12	2	121250-44901	12	25	124970-12660	7	16 -1	22242-000120	6	60
119660-42350	12	11	121250-55620	14	17	124970-12700	7	17 -1	22242-000200	9	29
119660-51500	13	26	121254-55510	14	14	129100-01580	4	1	22252-000200	10	32
119660-51530	13	28	121400-91251	17	66		10	5	22252-000210	10	33
119660-61013	15	15	121450-01560	3	6	129100-01760	5	6	22272-000040	15	33
119660-61052	15	1	121450-12520	7	15	129100-61930	15	51	22322-030160	15	41
	19	23	121450-12530	7	16	129150-35350	11	14	22351-020004	15	34
119660-61060	15	2	121450-42450	12	27 -1	129150-49360	12	28	22351-030014	15	35
119660-61071	15	3	121450-61520	15	27	129150-59120	13	54	22351-040010	3	7

Parts No. Index

Parts No.	Fig. No.	Ref. No.	Parts No.	Fig. No.	Ref. No.	Parts No.	Fig. No.	Ref. No.	Parts No.	Fig. No.	Ref. No.
22351-040010	15	10	26106-060182	12	23	26756-080002	17	58	X0280210230	17	5
22351-060012	6	32	26106-060202	5	12	26979-050162	6	44	X0280620480	17	2
22360-040000	15	42	26106-060222	4	10	27221-050080	6	11	X0280630011	17	3
	16	7	26106-060282	7	11	27221-060100	1	5	X0280992381	17	4
22360-060000	15	11	26106-060302	3	18	27231-400000	1	6	X0281003770	17	13
22411-200250	17	56	26106-060352	8	6 -1	27231-450000	2	6	X0282002320	17	14
22451-060000	15	59	26106-060402	3	19	27241-100000	1	7	X0283060061	17	17
22512-040120	9	5		8	6	27241-120000	2	7	X0283270140	17	6
		14	26106-060452	5	13	27241-250000	1	8	X0283711420	17	18
23414-080012	13	58		7	12	27241-300000	1	9	X0283711770	17	7
	14	9	26106-060502	3	20		2	8 -1	X0283712360	17	19
23414-140000	13	59		5	14	27241-350000	6	12	X0283810040	17	8
23871-010000	2	5	26106-060552	5	15	27241-400000	6	13	X0285011600	17	20
23871-020000	6	10 -1	26106-060602	3	21	27310-070001	6	23 -1	X0285100750	17	21
23871-030000	12	5		22	22	43400-500400	15	62	X0289030010	17	23
24101-062034	9	19	26106-060652	3	23	43400-500450	15	54	X0534006470	17	24
24102-063034	9	15	26106-060702	15	12	719225-51100	13	1	X0534040320	17	25
24311-000120	3	16	26106-060802	3	24	719260-02870	1	26	X0534490120	17	26
	6	83	26106-080102	5	16	719260-11521	6	64			27
	11	19	26106-080142	6	85	719260-11650	6	47	X0534490230	17	28
24311-000160	11	15		86	86	719260-11660	6	53			29
	19	18	26106-080182	16	9	719260-11700	6	1	X0535050620	17	30
24311-000320	3	29		18	26	719260-21700	10	1	X0535130241	17	31
	6	96	26106-080202	11	16	719260-23100	10	58	X0535130320	17	32
	19	6		12	24	719260-23600	10	76	X0536600401	17	33
24311-240100	14	23	26106-080402	8	7			77	X1284000710	17	43
	15	50	26106-080452	6	62	719260-23610	10	72	X9019008651	17	44
24321-000350	12	21		12	12	719270-01560	1	1	X9025806001	17	45
	19	21	26106-081052	18	27	719285-22401	10	50	X9025808001	17	46
24341-000070	15	43	26116-050102	15	13	719285-22500	10	22	X9151005141	17	34
24341-000240	3	33	26116-060304	15	60	719285-22541	10	38	X9490071970	17	47
	5	10	26156-120302	17	57	719285-92600	19	1	X9490170900	17	35
26013-060202	11	4	26206-100202	4	3	719620-02800	2	10			36
26014-060142	12	15	26206-100252	4	4	719620-02870	2	25	X9490422570	17	48
26014-060202	14	3	26216-060402	8	8	719620-02930	2	13	X9490441303	17	37
26022-040082	13	41	26216-080222	8	9	719620-11520	6	65	X9490441312	17	38
26106-060102	11	21	26216-080552	8	10	719620-11650	6	48	X9490502820	17	39
	15	44	26366-060002	3	30	719620-11660	6	54			40
	16	8		8	11	719620-23100	10	59	X9490561370	17	49
26106-060122	1	22	26366-080002	6	63	719620-23610	10	73	X9490721080	17	9
	2	19		18	28	719620-53100	13	43	X9491002590	17	15
	9	30	26376-120002	17	67	719621-51100	13	2	X9491002760	17	16
	11	20	26450-060202	11	4 -1	719660-11700	6	2	X9491200240	17	50
	12	16			5	719660-14590	9	12	X9491402100	17	41
26106-060142	5	11	26557-050102	6	73	719660-21700	10	2			42
26106-060162	3	17	26587-040102	13	42	719685-01580	2	1	X9491403700	17	51
		34	26587-080102	9	21	719685-22400	10	51	X9491703371	17	10
	7	10	26756-060002	6	52	719685-22500	10	23	X9491703380	17	52
	9	20			58	719685-22540	10	39	X9491704260	17	11
	14	3 -1		15	61	719685-92601	19	2	X9491730461	17	22