

0CV10-M35403EN

PREFACE

1. This Parts Catalog carries all parts incorporated in YANMAR Model 3TNA72E - UNS engine manufactured since July, 1988.

2. Each illustration corresponds to the parts list on the following page.

3. When ordering parts, clearly write down the engine model and serial number, as well as the name and number of each part in your order sheet. This will help insure reliable delivery of the parts you have ordered.

4. Pub.No.000Y00R3540 First Published : August, 1988.
 Pub.No.000Y00V3541 First Revised : December, 1989.
 Pub.No.000Y00V3542 Second Revised : March, 1991.
 Pub.No.000Y00V3543 Third Revised : June, 1992.

Directions for the Parts Catalog.

1. The parts stipulated in this Parts Catalog are not necessarily standard equipped parts.
2. Parts may change without prior notice.
3. The following is an example of the Parts Catalog format.

REF.	LEV.	PARTS NO.	DESCRIPTION	Q'TY						I	R
				(A)	(B)	(C)	(D)	(E)	(F)		
1	1	729595-51390	FUEL INJECTION PUMP	1	1	1	1	1			1
1-1	1	729595-51391	FUEL INJECTION PUMP	1	1	1	1	1		N	1
		(A=E00185) (B=E00200)									
3	2	26022-060162	SCREW M 6X 16	9	9	9	9	9			
3-1	2	26022-060162	SCREW M 6X 16	4	4	4	4	4		K	
		(A=E00156) (B=E00156) (C=E00156) (D=E00156) (E=E00156)									
4	2	129470-51040	CAMSHAFT	1	1	1	1	1			
5	2	122710-51050	BEARING, ROLLER	2	2	2	2	2			
6	2	129470-51060	RETAINER	1	1	1	1	1			

Remarks
(1) BOOST COMPEMSATOR TYPE. OPTIONAL PART, TO E00155,(4JH-DT, 4JH-DTZ

① Ref. No.

The Ref. No. listed may not be in accordance with the illustration Ref. No.

(Ex.) Illustration No. List Ref No.

1 1 (Before change) → 1-1 (After change)

For interchangeable symbols N, R and K, illustrations for new parts may be abbreviated.

② Lev. (Level)

Level indication

The numbers below indicate the level of relativity towards the main part.

1 ---- Main parts (Assembly parts)

2 ---- Sub component included in " 1 ".

3 ---- Sub component included in " 2 ".

Note) Parts that are not for sale are partially illustrated but not listed.

③ Interchangeability Mark

When a part change takes place, one of the following interchangeability symbols is indicated beside the part.

Symbol	Interchangeability	Contents note
N	Old $\begin{matrix} \leftarrow \text{Yes} \\ \text{No} \rightarrow \end{matrix}$ New	New Part is interchangeable for Old Part but Old Part is not interchangeable for New Part.
Q	Old $\begin{matrix} \leftarrow \text{No} \\ \text{Yes} \rightarrow \end{matrix}$ New	New Part is not interchangeable for Old Part but Old Part is interchangeable for New Part.
R	Old $\begin{matrix} \leftarrow \text{Yes} \\ \text{Yes} \rightarrow \end{matrix}$ New	New/ Old Parts are both interchangeable.
S	Old $\begin{matrix} \leftarrow \text{No} \\ \text{No} \rightarrow \end{matrix}$ New	New/ Old Parts are both not interchangeable.
W		Part newly added.
Z		Part discontinued.
F		Not interchangeable by a single part but interchangeable together with related parts.
K		Changes only for used parts quantities.

④ Effective Machine No.

When a part changes, the effective Machine No. will be indicated in the (A)-(F) column.

Product Symbol	Product No.	Product Symbol	Product No.
C	Clutch No. Compressor No.	F	Machine No. (Agricultural Equip.)
D	Drive No.	M	Machine No.
E	Engine No.		

Note 1) A date may follow the symbol. (Ex.) 1996.01

Note 2) "XXXXX" and "ZZZZZ" are for parts that could not be predicted or for engine models that could not be identified.

Note 3) (A=E00185) is the E (Engine Serial Number) for the column (A) model (in this case 4JH-DT) after the parts design change.

⑤ Remarks Mark

Figures or alphabets (symbols) are entered in the remarks column.

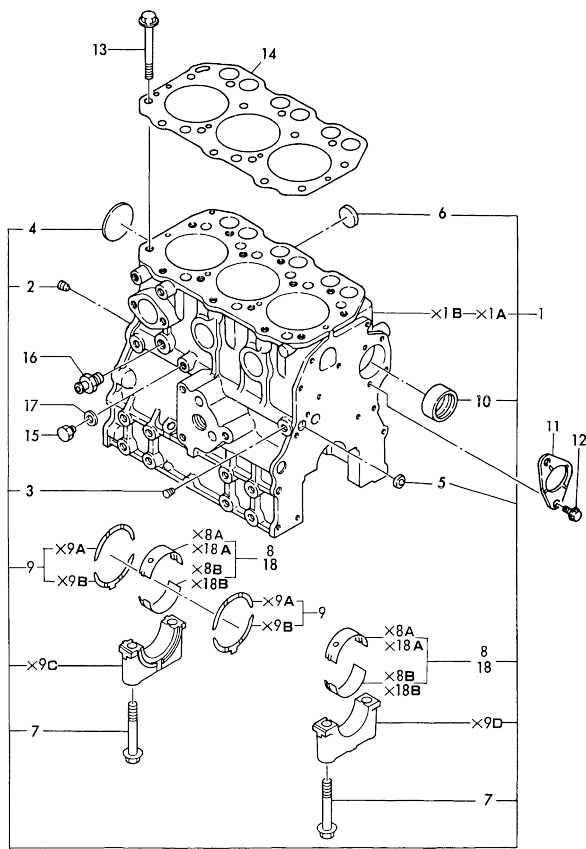
The comments (remarks) on parts that are indicated at the bottom of the illustration are the same symbols as those stated above.

Contents

0CV10-M35403

Fig. No.	Fig. Name	Fig. No.	Fig. Name
ENGINE SECTION 3TNA72E-UNS			
1.	CYLINDER BLOCK		
2.	GEAR HOUSING		
3.	FLYWHEEL HOUSING & OIL SUMP		
4.	CYLINDER HEAD & BONNET		
5.	SUCTION MANIFOLD & AIR CLEANER		
6.	EXHAUST MANIFOLD & SILENCER		
7.	CAMSHAFT & DRIVING GEAR		
8.	CRANKSHAFT & PISTON		
9.	LUB.OIL SYSTEM		
10.	COOLING WATER SYSTEM		
11.	FUEL INJECTION PUMP		
12.	FUEL LINE		
13.	GOVERNOR		
14.	STARTING MOTOR		
15.	GENERATOR		
16.	GASKET SET & TOOL(OPTIONAL)		

Fig.1. CYLINDER BLOCK



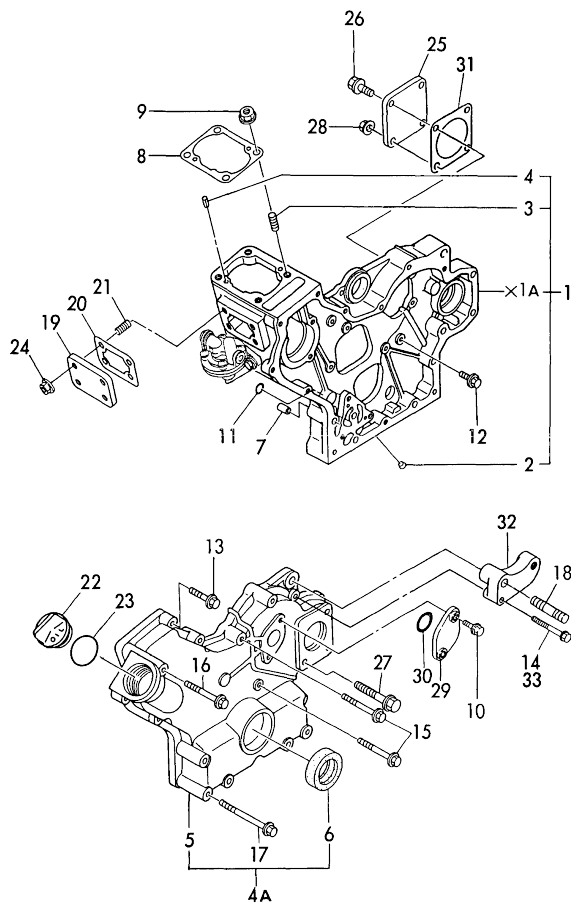
(A)=3TNA72E-UNS
(B)=
(C)=

(D)=
(E)=
(F)=

No.	Lev.	Parts No.	Description	Q'ty						I	R
				(A)	(B)	(C)	(D)	(E)	(F)		
1	1	719610-01560	BLOCK ASSY, CYLINDER	1							
2	3	119600-01050	PLUG, PT1/4	1							
3	3	23871-010000	PLUG, R01	1							
4	3	27231-450000	PLUG 45	1							
5	3	27241-120000	PLUG, 12	1							
6	3	27241-300000	PLUG 30	6							
7	2	119620-02020	BOLT, METAL CAP	8							
8	2	719620-02800	BEARING, MAIN	4							
9	2	719620-02930	BEARING, THRUST	2							
10	2	119620-02410	BUSH, CAMSHAFT	1							
11	1	119620-02450	BEARING, THRUST	1							
12	1	26106-060122	BOLT, M6X 12 PLATED	2							
13	1	119620-01200	BOLT, HEAD	14							
14	1	119610-01340	GASKET, HEAD	1							Z
15	1	119656-01900	PLUG, 8	1							
(A)=EXXX)											
16	1	121550-49111	JOINT, PT1/4	1							Z
17	1	104884-59170	GASKET	1							
(A)=EXXX)											
18	1	719620-02870	BEARING, 0.25 US	4							1

Remarks
(1)UNDERSIZED(U.S=0.25) PART.

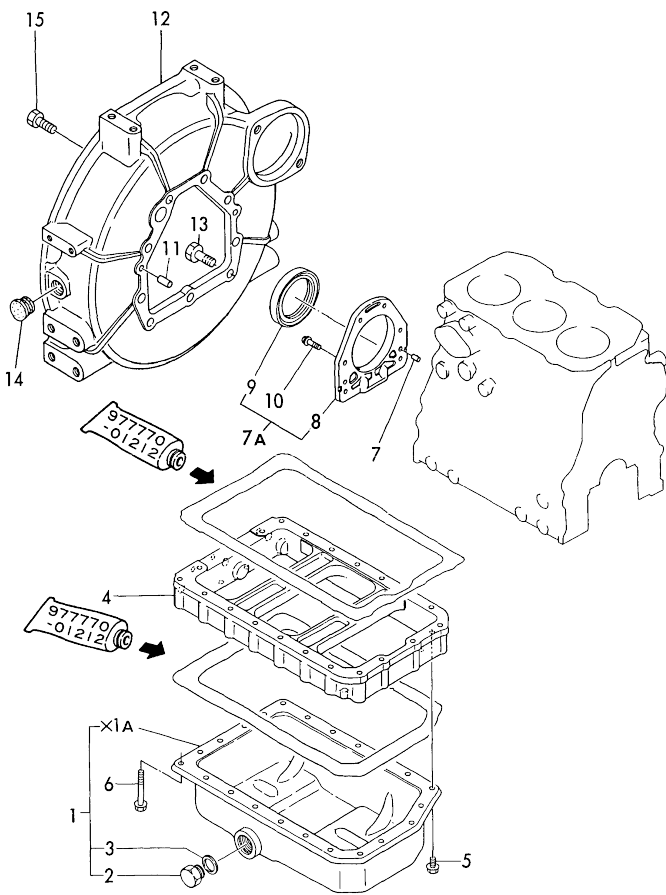
Fig.2. GEAR HOUSING



No.	Lev.	Parts No.	Description	Q'ty						I	R
				(A)	(B)	(C)	(D)	(E)	(F)		
1	1	119660-01492	CASE ASSY, GEAR	1							
2	2	119660-01510	PLUG, 10X14	1							
3	2	121450-01560	STUD, M8X22	4							
4	2	22351-040010	PIN, SPRING 4.0X10	2							
4A	1	119660-01590	COVER ASSY, GEAR CASE	1							W
(A=E# 41917)											
5	2	119660-01521	COVER, GEAR CASE	1							
6	2	119620-01800	SEAL, OIL	1							
7	1	119660-01911	PIPE, KNOCK	4							
8	1	119620-01950	SHIM SET, ADJUSTING	1							
9	1	194990-22050	NUT, M8	4							
10	1	26106-060182	BOLT, M6X 18 PLATED	2							
11	1	24311-000120	O-RING, 1AP12.0	2							
12	1	26106-060162	BOLT, M6X 16 PLATED	7							
13	1	26106-060302	BOLT, M6X 30 PLATED	5							
13-1	1	26106-060302	BOLT, M6X 30 PLATED	6							K
(A=E# 41917)											
13-2	1	26106-060302	BOLT, M6X 30 PLATED	5							K
(A=E# 41917)											
14	1	26106-060502	BOLT, M6X 50 PLATED	1							Z
(A=E# 41917)											
15	1	26106-060602	BOLT, M6X 60 PLATED	3							
16	1	26106-060602	BOLT, M6X 60 PLATED	1							
17	1	26106-060802	BOLT, M6X 80 PLATED	6							
18	1	26216-100352	STUD, M10X 35	1							
18-1	1	26106-100602	BOLT, M10X 60 PLATED	1							N
(A=E# 61550)											
19	1	119660-01551	COVER	1							
20	1	119660-01561	GASKET	1							
20-1	1	119660-01562	GASKET	1							N
(A=E# 37145)											
21	1	119660-01570	STUD, M6X12	4							
22	1	124160-01751	COVER, FILLER	1							
23	1	24311-000320	O-RING, 1AP32.0	1							
24	1	26366-060002	NUT, M6	4							
25	1	124240-01871	COVER	1							
26	1	26106-080122	BOLT, M8X 12 PLATED	1							
27	1	26106-080652	BOLT, M8X 65 PLATED	3							
28	1	26366-080002	NUT, M8	3							
29	1	121023-01550	COVER	1							
30	1	24341-000260	O-RING, 1AS26.0	1							
30-1	1	24341-000240	O-RING, 1AS24.0	1							N
(A=E# 24335)											
31	1	124240-01882	GASKET	1							
31-1	1	124240-01883	GASKET	1							N
(A=E# 37145)											
32	1	119640-77250	BRACKET, GENERATOR	1							W
(A=E# 61550)											
33	1	26106-060502	BOLT, M6X 50 PLATED	1							W
(A=E# 61550)											

N:Old $\frac{100}{100}$ New, Q:Old $\frac{100}{100}$ New, R:Old $\frac{100}{100}$ New, S:Old $\frac{100}{100}$ New, W:Add, Z:Discontinued, F:Interchangeable by set, K:Q'ty Change
Copyright (C) YANMAR CO., LTD. All Rights Reserved.

Fig.3. FLYWHEEL HOUSING & OIL SUMP



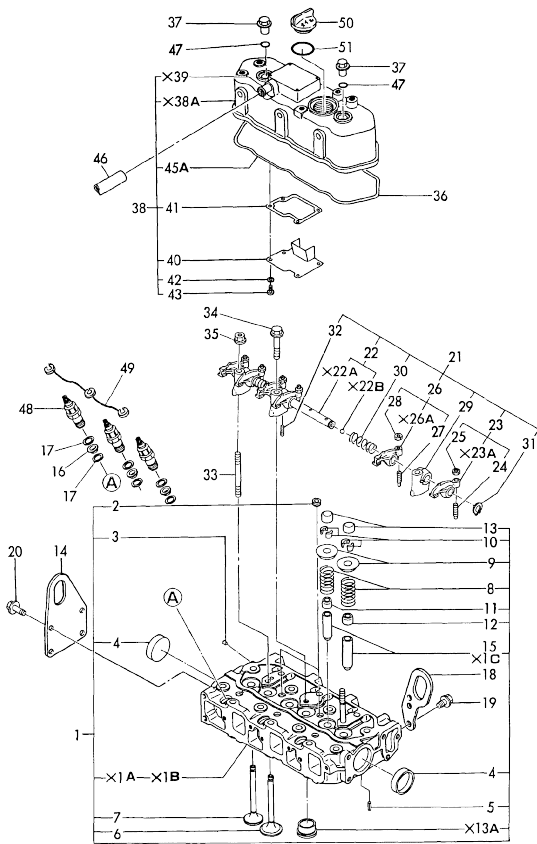
(A)=3TNA72E-UNS
(B)=
(C)=

(D)=
(E)=
(F)=

No.	Lev.	Parts No.	Description	Q'ty						I	R
				(A)	(B)	(C)	(D)	(E)	(F)		
1	1	719631-01540	SUMP ASSY, OIL	1							
2	2	171301-01640	PLUG, 22	1							
3	2	24341-000240	O-RING, 1AS24.0	1							
4	1	119600-01722	SPACER, OIL SUMP	1							
5	1	26106-060122	BOLT, M6X 12 PLATED	3							
6	1	26106-060452	BOLT, M6X 45 PLATED	20							
7	1	119620-01620	PIN, M6X10	2							
7A	1	119660-01640	CASE ASSY, OIL SEAL	1							W
(A=E# 41917)											
8	2	119660-01651	CASE, OIL SEAL	1							
9	2	124085-02220	SEAL, OIL	1							
10	1	26106-060222	BOLT, M6X 22 PLATED	10							
11	1	129100-01580	PIN, M8X16	2							
12	1	119600-01600	HOUSING, FLYWHEEL	1							
13	1	121120-01620	BOLT, M10X28	3							
14	1	119620-01750	CAP	1							
15	1	26206-100252	BOLT, M10X 25 PLATED	6							

OCV10-M35403 ENGINE SECTION 3TNA72E-UNS
 Fig.4. CYLINDER HEAD & BONNET

OCV10-M35403 Fig.4



(A)=3TNA72E-UNS
 (B)=
 (C)=

(D)=
 (E)=
 (F)=

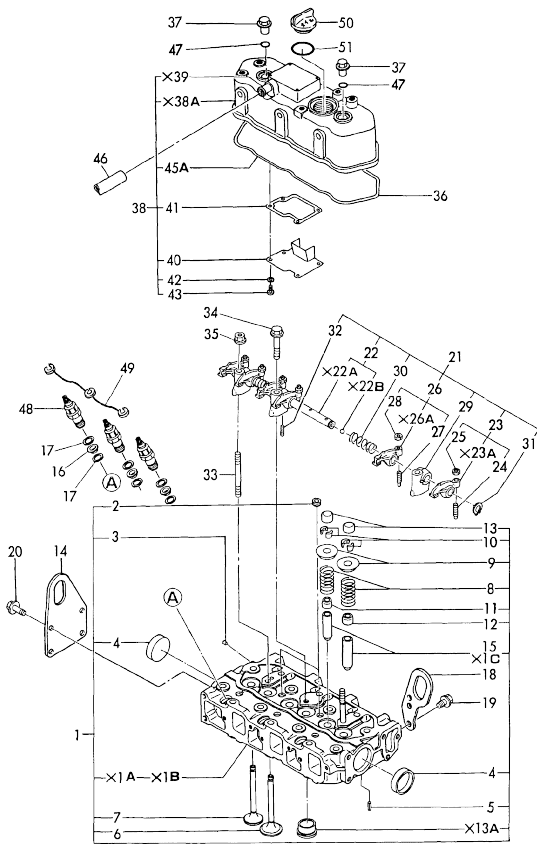
No.	Lev.	Parts No.	Description	Q'ty						I	R
				(A)	(B)	(C)	(D)	(E)	(F)		
1	1	719660-11700	HEAD ASSY, CYLINDER	1							
2	3	121850-11860	PLUG, PT1/4	2							
3	3	27221-050080	PLUG, 5X 8	1							
4	3	27241-400000	PLUG, 40	2							
5	2	22351-060012	PIN, SPRING 6.0X12	2							
6	2	119620-11100	VALVE, INTAKE	3							
7	2	119620-11110	VALVE, EXHAUST	3							
8	2	119620-11120	SPRING, VALVE	6							
9	2	119620-11180	RETAINER, SPRING	6							
10	2	101158-11190	COTTER	6							
11	2	124950-11340	SEAL, VALVE STEM	3							
12	2	124160-11340	SEAL, VALVE STEM	3							
13	2	104211-11370	CAP, VALVE	6							
14	1	119632-07900	LIFTER	1							
15	1	119620-11801	GUIDE, VALVE	6							1
16	1	119600-11450	PROTECTOR, NOZZLE	3							
17	1	119600-11460	GASKET, NOZZLE	6							
18	1	119260-07900	LIFTER	1							
19	1	26106-080142	BOLT, M8X 14 PLATED	1							
20	1	26106-060122	BOLT, M6X 12 PLATED	4							
21	1	119620-11200	SUPPORT ASSY, ARM	1							
22	2	119620-11240	SHAFT ASSY, ROCKER	1							
23	2	719620-11650	ARM ASSY, ROCKER	3							
24	3	105010-11230	SCREW, VALVE ADJUST	3							
25	3	26756-060002	NUT, LOCK M6	3							
26	2	719620-11660	ARM ASSY, ROCKER	3							
27	3	105010-11230	SCREW, VALVE ADJUST	3							
28	3	26756-060002	NUT, LOCK M6	3							
29	2	119620-11260	SUPPORT, ROCKER ARM	3							
30	2	119620-11280	SPRING	2							
31	2	22242-000120	RING, 12	2							
32	2	26979-050162	SCREW, M5X16	1							
33	1	119620-11350	STUD	2							
34	1	26106-080452	BOLT, M8X 45 PLATED	1							
35	1	26366-080002	NUT, M8	2							
36	1	119620-11310	GASKET, BONNET	1							Z
(A=E/# 26997)											
37	1	124160-11360	KNOB	2							
38	1	719620-11521	BONNET ASSY, HEAD	1							
38-1	1	719620-11522	BONNET ASSY, HEAD	1							N
(A=E/# 26997)											
38-2	1	719620-11523	BONNET ASSY, HEAD	1							N
(A=E/# 37145)											
38-3	1	119620-11330	BONNET ASSY, HEAD	1							R
(A=E/# 39447)											
40	2	119620-03020	PLATE, SHELTER	1							
41	2	119620-03030	GASKET	1							
41-1	2	119620-03031	GASKET	1							N
(A=E/# 37145)											
42	2	22217-050000	WASHER, SPRING 5	4							
43	2	26557-050102	SCREW, M5X10	4							

Remarks
 (1)REPAIR PART.

N:Old $\frac{100}{100}$ New, Q:Old $\frac{100}{100}$ New, R:Old $\frac{100}{100}$ New, S:Old $\frac{100}{100}$ New, W:Add, Z:Discontinued, F:Interchangeable by set, K:Q'ty Change
 ++ CONTINUE ++
 Copyright (C) YANMAR CO., LTD. All Rights Reserved.

0CV10-M35403 ENGINE SECTION 3TNA72E-UNS
 Fig.4. CYLINDER HEAD & BONNET

0CV10-M35403 Fig.4



(A)=3TNA72E-UNS
 (B)=
 (C)=

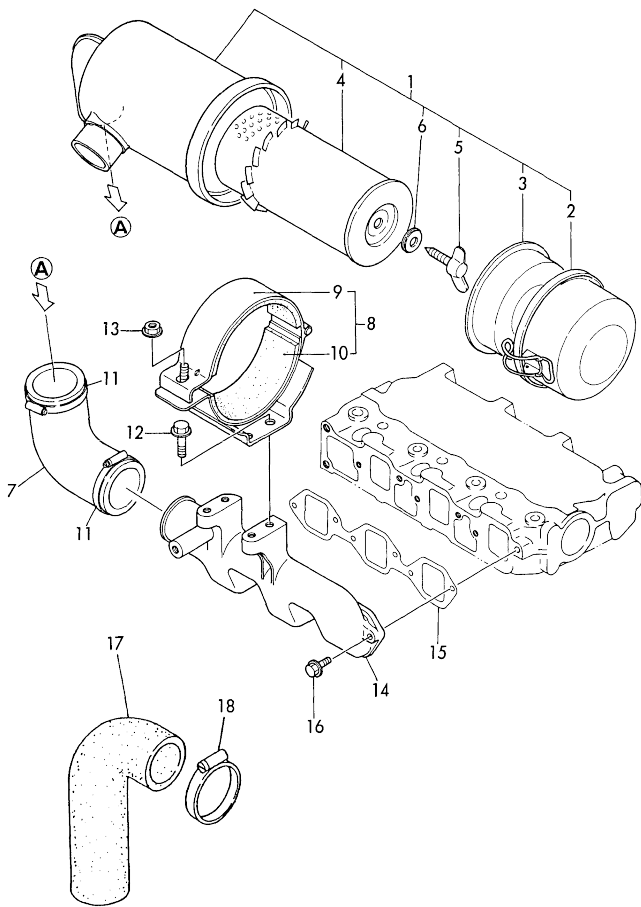
(D)=
 (E)=
 (F)=

No.	Lev.	Parts No.	Description	Q'ty						I	R
				(A)	(B)	(C)	(D)	(E)	(F)		
45A	2	119620-11310 (A=E# 26997)	GASKET, BONNET	1							W
46	1	23065-120500	PIPE, 12X 500	1							
47	1	24311-000120	O-RING, 1AP12.0	2							
48	1	129795-77800	PLUG, GLOW	3							
49	1	119620-77820	CONNECTOR, GLOW PLUG	1							
50	1	124160-01751	COVER, FILLER	1							
51	1	24311-000320	O-RING, 1AP32.0	1							

Remarks
 (1)REPAIR PART.

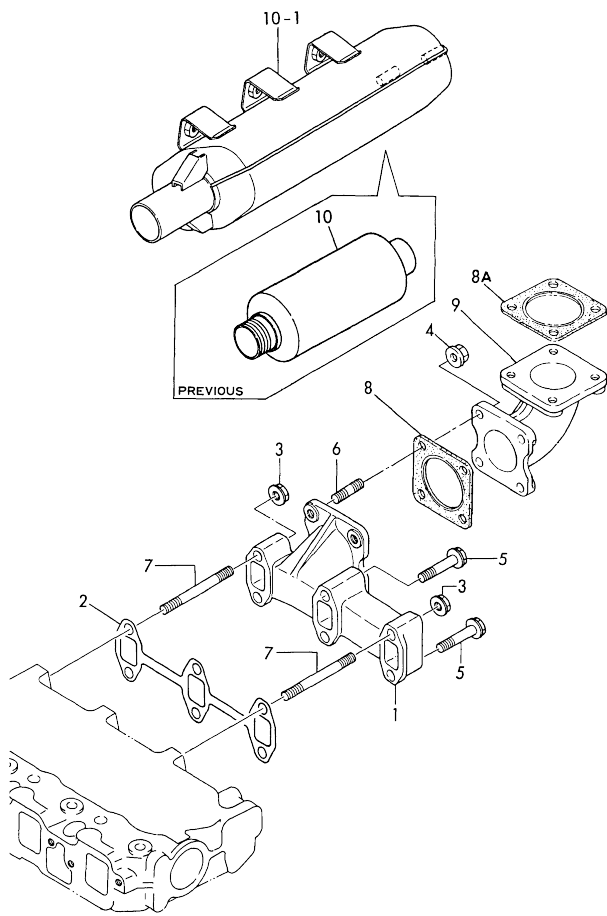
N:Old $\frac{100}{100}$ New. Q:Old $\frac{100}{100}$ New. R:Old $\frac{100}{100}$ New. S:Old $\frac{100}{100}$ New. W:Add. Z:Discontinued. F:Interchangeable by set. K:Q'ty Change
 Copyright (C) YANMAR CO., LTD. All Rights Reserved.

Fig.5. SUCTION MANIFOLD & AIR CLEANER



No.	Lev.	Parts No.	Description	Q'ty						I	R
				(A)	(B)	(C)	(D)	(E)	(F)		
1	1	119632-12501	CLEANER ASSY, AIR	1							
2	2	121024-12660	PAN ASSY, DUST	1							
3	2	121465-12700	RETAINER, ELEMENT	1							
4	2	121465-12510	ELEMENT	1							
5	2	124064-12680	BOLT	1							
6	2	124064-12690	WASHER	1							
7	1	119632-12551	PIPE, AIR INTAKE	1							
8	1	119632-12590	SUPPORT ASSY,CLEANER	1							
9	2	119632-12560	SUPPORT	1							
10	2	119640-12580	SEAT, RUBBER	2							
11	1	23000-060000	CLAMP, 60	2							
12	1	26014-080202	BOLT, M8X 20	4							
13	1	26366-080002	NUT, M8	1							
14	1	119645-12100	MANIFOLD, AIR INTAKE	1							
15	1	119620-12110	GASKET, MANIFOLD	1							
15-1	1	119620-12111	GASKET, MANIFOLD	1							N
		(A=E/# 38289)									
16	1	26106-060202	BOLT, M6X 20 PLATED	6							
17	1	119641-12570	PIPE, AIR INTAKE	1							W
		(A=E/# 22676)									
18	1	23000-060000	CLAMP, 60	1							W
		(A=E/# 22676)									

Fig.6. EXHAUST MANIFOLD & SILENCER

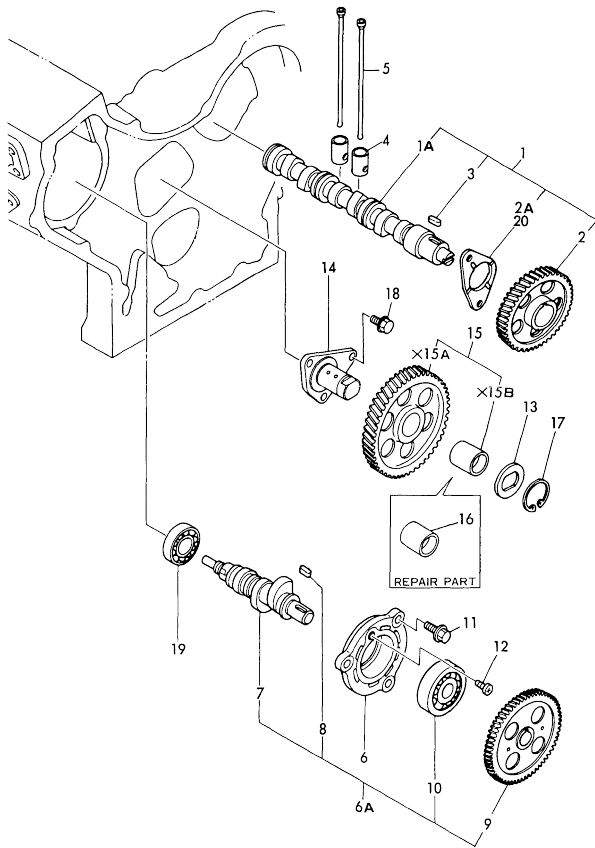


No.	Lev.	Parts No.	Description	Q'ty						I	R
				(A)	(B)	(C)	(D)	(E)	(F)		
1	1	119600-13100	MANIFOLD, EXHAUST	1							
2	1	119620-13110	GASKET	1							
3	1	194990-22050	NUT, M8	2							
4	1	194990-22050	NUT, M8	4							
5	1	26106-080402	BOLT, M8X 40 PLATED	4							
6	1	26216-080222	STUD, M8X 22	4							
7	1	26216-080552	STUD, M8X 55	2							
8	1	124701-11910	GASKET, SILENCER	2							
8-1	1	124701-11910	GASKET, SILENCER	1							K
(A=E# 22676)											
8-2	1	124701-11911	GASKET, SILENCER	1							N
(A=E# 41917)											
8A	1	129107-13550	GASKET	1							W
(A=E# 22676)											
9	1	119620-13550	BEND	1							
10	1	43100-552890	SILENCER, BK-40	1							
10-1	1	119332-13500	SILENCER	1							S
(A=E# 22676)											

N:Old $\frac{100}{100}$ New, Q:Old $\frac{100}{100}$ New, R:Old $\frac{100}{100}$ New, S:Old $\frac{100}{100}$ New, W:Add, Z:Discontinued, F:Interchangeable by set, K:Q'ty Change
 Copyright (C) YANMAR CO., LTD. All Rights Reserved.

0CV10-M35403 ENGINE SECTION 3TNA72E-UNS
 Fig.7. CAMSHAFT & DRIVING GEAR

0CV10-M35403 Fig.7



(A)=3TNA72E-UNS
 (B)=
 (C)=

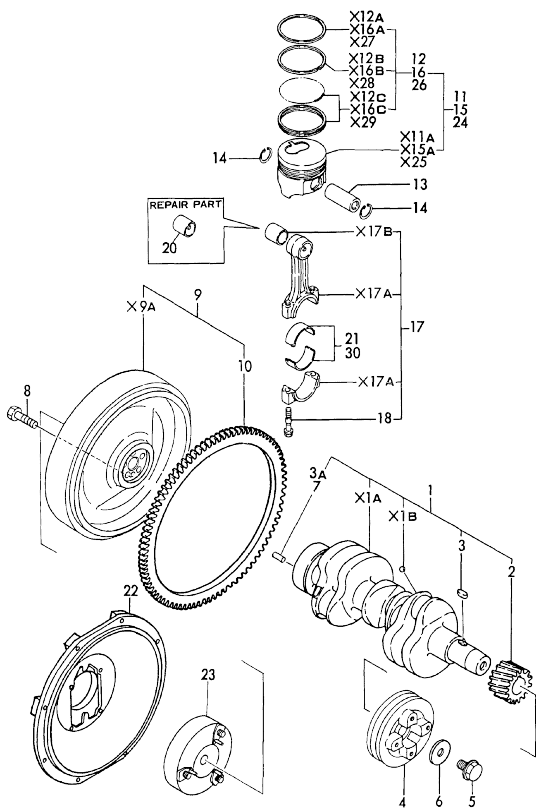
(D)=
 (E)=
 (F)=

No.	Lev.	Parts No.	Description	Q'ty						I	R
				(A)	(B)	(C)	(D)	(E)	(F)		
1	1	119629-14580	CAMSHAFT ASSY	1							W
		(A=EXXX)									
1A	2	119620-14010	CAMSHAFT	1							
2	2	119620-14100	GEAR, CAMSHAFT	1							
2A	2	119620-02450	BEARING, THRUST	1							
3	2	22512-040120	KEY, 4X 12	1							
4	1	119620-14200	TAPPET	6							
5	1	119620-14400	ROD, PUSH	6							
6	1	119660-01821	BEARING, FUEL CAM	1							
6A	1	719660-14590	CAMSHAFT	1							W
		(A=EXXX)									
7	2	119660-14092	CAMSHAFT	1							
8	2	22512-040120	KEY, 4X 12	1							
9	2	119660-25902	GEAR, PUMP	1							
10	2	24102-063034	BEARING, BALL 6303U	1							
11	1	26106-060162	BOLT, M6X 16 PLATED	3							
12	1	26587-080102	SCREW, M8X10	1							
13	1	119660-25022	RETAINER	1							
14	1	119660-25052	SHAFT, IDLE	1							
15	1	119620-25102	GEAR ASSY, IDLE	1							
16	1	119620-25912	BUSH	1							1
17	1	22242-000200	RING, 20	1							
18	1	26106-060122	BOLT, M6X 12 PLATED	3							
19	1	24101-062034	BEARING, BALL 6203	1							
20	1	119620-02450	BEARING, THRUST	1							Z
		(A=EXXX)									

Remarks
 (1)REPAIR PART.

N:Old $\frac{100}{100}$ New, Q:Old $\frac{100}{100}$ New, R:Old $\frac{100}{100}$ New, S:Old $\frac{100}{100}$ New, W:Add, Z:Discontinued, F:Interchangeable by set, K:Qty Change
 Copyright (C) YANMAR CO., LTD. All Rights Reserved.

Fig.8. CRANKSHAFT & PISTON



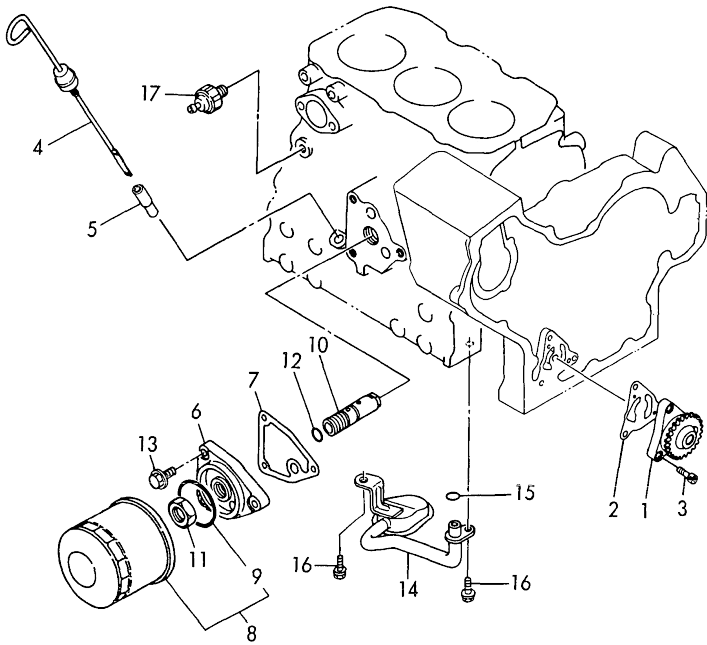
(A)=3TNA72E-UNS
(B)=
(C)=

(D)=
(E)=
(F)=

No.	Lev.	Parts No.	Description	Qty						I	R
				(A)	(B)	(C)	(D)	(E)	(F)		
1	1	719660-21701	CRANKSHAFT ASSY	1							
1-1	1	719660-21700	CRANKSHAFT ASSY	1							N
(A=E# 39447)											
2	2	119660-21201	GEAR, CRANKSHAFT	1							
3	2	22512-040120	KEY, 4X 12	1							
3A	2	129100-01580	PIN, M8X16	1							W
(A=E# 39447)											
4	1	119660-21651	V-PULLEY	1							
5	1	119621-21680	BOLT, FLANGE 12X1.25	1							
6	1	119620-21941	WASHER	1							
7	1	129100-01580	PIN, M8X16	1							Z
(A=E# 39447)											
8	1	121111-21501	BOLT, FLYWHEEL	5							
9-1	1	119640-21590	FLYWHEEL ASSY	1							S
(A=FROM 1ST)											
10	2	119665-21600	GEAR, RING	1							
11	1	119620-22090	PISTON ASSY	3							
12-1	2	719620-22500	RING SET, PISTON	3							N
(A=FROM 1ST)											
13	1	119620-22300	PIN, PISTON	3							
14	1	22252-000210	RING, 21	6							
15	1	119620-22900	PISTON ASSY, 0.25 OS	3							1
16	2	119620-22950	RING SET, 0.25 OS	3							1
17	1	719620-23100	ROD ASSY, CONNECTING	3							
18	2	105225-23200	BOLT, CONNECTING ROD	6							
20	1	119620-23910	BEARING, PISTON PIN	3							2
21	1	719620-23610	BEARING ASSY, 0.25	3							3
22	1	119689-89110	COVER, FLYWHEEL	1							W
(A=E# 25586)											
23	1	119689-98010	COUPLING	1							W
(A=E# 25586)											
24	1	119620-22920	PISTON ASSY, 0.50 OS	3							4
26	2	119620-22970	RING SET, 0.50 OS	3							4
30	1	719620-23600	BEARING, CRANK PIN	3							

- Remarks
 (1) OVERSIZED(O.S=0.25) PART.
 (2) REPAIR PART.
 (3) UNDERSIZED(U.S=0.25) PART.
 (4) OVERSIZED(O.S=0.5) PART.

Fig.9. LUB.OIL SYSTEM



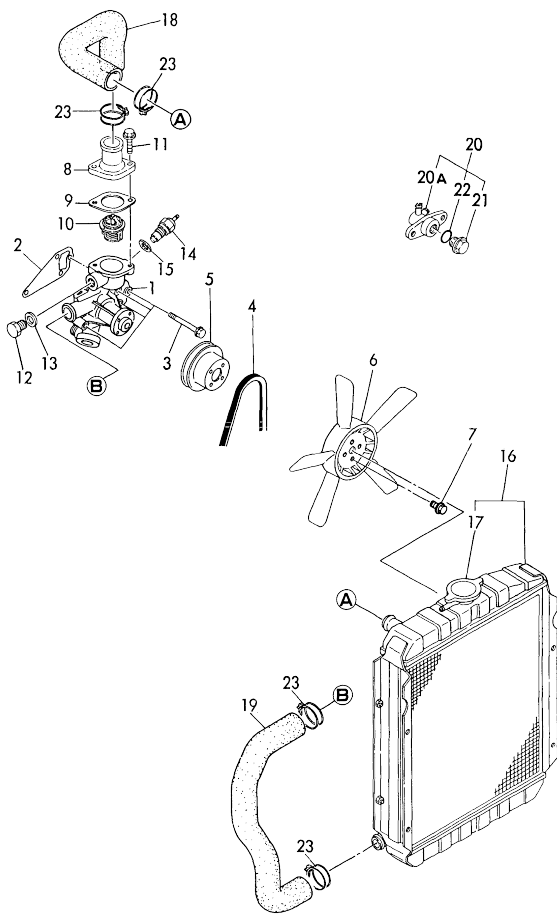
(A)=3TNA72E-UNS
(B)=
(C)=

(D)=
(E)=
(F)=

No.	Lev.	Parts No.	Description	Q'ty						I	R
				(A)	(B)	(C)	(D)	(E)	(F)		
1	1	119660-32001	PUMP ASSY, OIL	1							
2	1	119660-32020	GASKET, PUMP	1							
3	1	26450-060202	BOLT, M6X 20	3							
4	1	119631-34800	DIPSTICK, OIL	1							
5	1	121520-34810	GUIDE, DIPSTICK	1							
6	1	119660-35102	BRACKET, FILTER	1							
7	1	119660-35112	GASKET	1							
7-1	1	119660-35113	GASKET	1							N
(A=E# 37145)											
8	1	119660-35150	FILTER, LUB. OIL	1							
9	2	124450-35110	O-RING	1							
10	1	119660-35300	VALVE ASSY, CONTROL	1							
11	1	129150-35350	NUT	1							
12	1	24311-000160	O-RING, 1AP16.0	1							
13	1	26106-080202	BOLT, M8X 20 PLATED	3							
14	1	119600-35081	PIPE ASSY, OIL INLET	1							
15	1	24311-000120	O-RING, 1AP12.0	1							
16	1	26106-060102	BOLT, M6X 10 PLATED	2							
17	1	124160-39450	SWITCH, 0.5KG	1							

OCV10-M35403 ENGINE SECTION 3TNA72E-UNS
 Fig.10. COOLING WATER SYSTEM

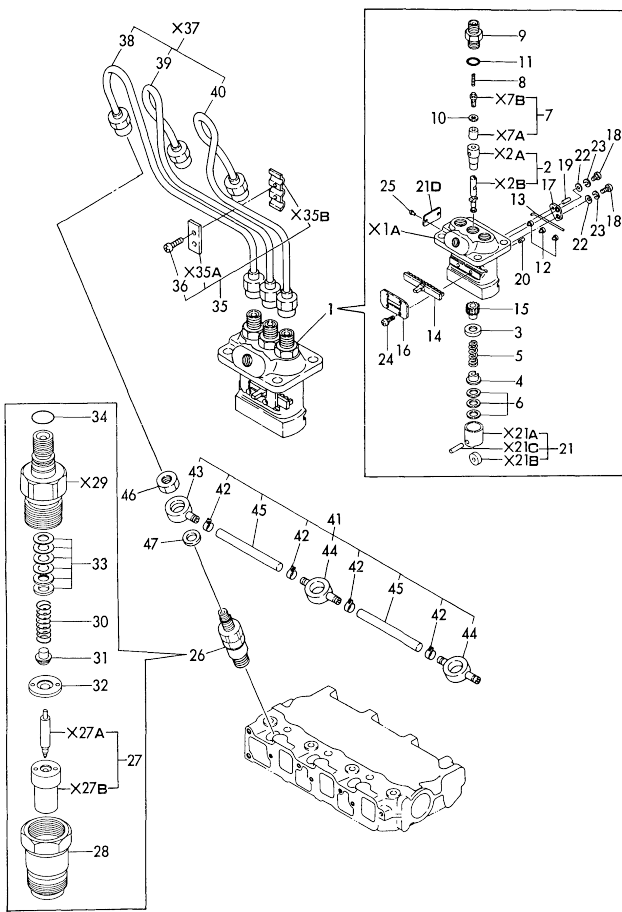
OCV10-M35403 Fig.10



No.	Lev.	Parts No.	Description	Q'ty						I	R
				(A)	(B)	(C)	(D)	(E)	(F)		
1	1	119660-42003	PUMP ASSY, WATER	1							
1-1	1	119660-42004 (A=E# 37145)	PUMP ASSY, WATER	1							N
2	1	119620-42020	GASKET, WATER PUMP	1							
3	1	26106-080452	BOLT, M8X 45 PLATED	4							
4-1	1	119650-42291	V-BELT, 35	1							S
(A=FROM 1ST)											
4-2	1	119640-42290 (A=EXXX)	V-BELT, FM36.5	1							S
5-1	1	119660-42350 (A=FROM 1ST)	V-PULLEY	1							S
6	1	124700-44740	FAN, COOLING 5X310	1							
7	1	26014-060162	BOLT, M6X 16	4							
8	1	129350-49530	COVER, THERMOSTAT	1							
9	1	129350-49540	GASKET	1							
9-1	1	129350-49541 (A=E# 37145)	GASKET	1							N
10	1	129350-49800	THERMOSTAT, 71	1							
11	1	26106-080202	BOLT, M8X 20 PLATED	2							
12	1	121450-42450	PLUG, M16	1							
13	1	124465-44950	GASKET, 16	1							
14	1	124250-49351	SENSOR	1							
15	1	129150-49360	GASKET	1							
16	1	119632-44500	RADIATOR	1							
17	2	124450-44590	CAP, RADIATOR	1							
18	1	119688-49010	PIPE, WATER	1							
19	1	119632-49020	PIPE, WATER	1							
20	1	121450-49110 (A=EXXX)	COCK ASSY, 3-WAY	1							Z
20A	2	121450-49100 (A=EXXX)	BODY, 3-WAY COCK	1							
21	2	121250-49121 (A=EXXX)	PLUG, DRAIN	1							Z
22	2	24311-000160 (A=EXXX)	O-RING, 1AP16.0	1							Z
23	1	23010-038000	CLAMP, 38	4							

N:Old $\frac{New}{Old}$ New, Q:Old $\frac{New}{Old}$ New, R:Old $\frac{New}{Old}$ New, S:Old $\frac{New}{Old}$ New, W:Add, Z:Discontinued, F:Interchangeable by set, K:Qty Change
 Copyright (C) YANMAR CO., LTD. All Rights Reserved.

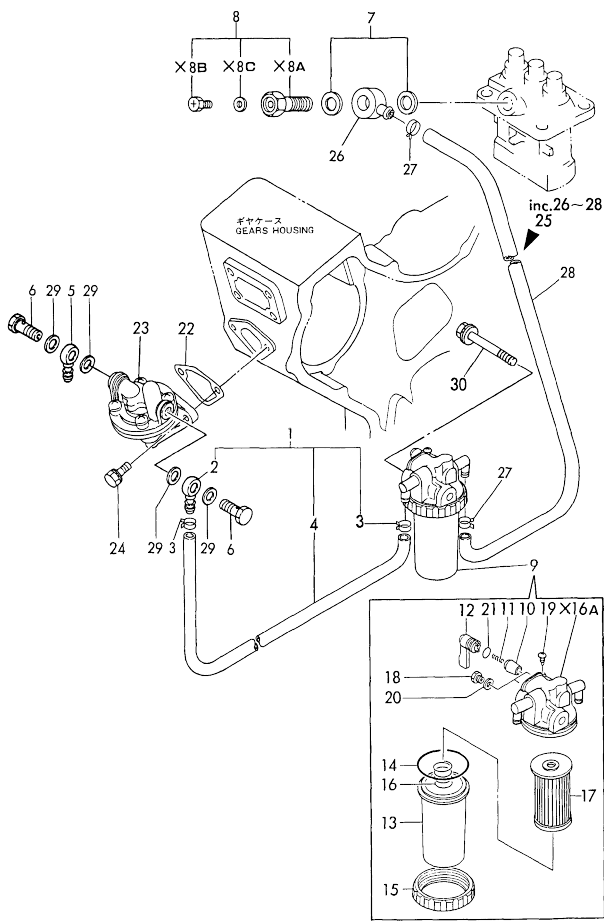
Fig.11. FUEL INJECTION PUMP



No.	Lev.	Parts No.	Description	Q'ty						I	R
				(A)	(B)	(C)	(D)	(E)	(F)		
1	1	719621-51100	PUMP ASSY, INJECTION	1							
1-1	1	719621-51700	PUMP ASSY, INJECTION	1							R
(A=FROM 1ST)											
2	2	119620-51101	PLUNGER ASSY	3							
3	2	119620-51170	RETAINER, SPRING A	3							
4	2	119620-51180	RETAINER, SPRING B	3							
5	2	119620-51190	SPRING, PLUNGER	3							
6	2	119620-51250	SHIM SET	3							
7	2	119620-51300	VALVE ASSY, DELIVERY	3							
8	2	105546-51330	SPRING, DELIVERY	3							
9	2	119620-51340	HOLDER, DELIVERY	3							
10	2	119620-51350	GASKET	3							
11	2	119620-51370	O-RING	3							
12	2	119620-51450	PIECE	3							
13	2	119620-51461	PIN	1							
14	2	119660-51500	RACK, CONTROL	1							
15	2	119620-51510	PINION	3							
16	2	119660-51530	RETAINER, RACK	1							
17	2	119620-51650	PLATE	2							
18	2	119620-51660	SCREW	2							
19	2	119620-51670	PIN	2							
20	2	119620-51680	PIN	1							
21	2	119620-51700	TAPPET ASSY	3							
22	2	22137-040000	WASHER, 4	2							
23	2	22217-040000	WASHER, SPRING 4	2							
24	2	26022-040082	SCREW, M4X 8	4							
25	2	26587-040102	SCREW, M4X10	2							
26	1	719620-53100	VALVE ASSY, INJECTION	3							
27	2	119620-53000	VALVE ASSY, INJECTION	3							
28	2	119620-53080	NUT, NOZZLE	3							
30	2	119620-53120	SPRING, NOZZLE	3							
31	2	114250-53130	SEAT, SPRING	3							
32	2	119620-53140	SPACER, VALVE STOP	3							
33	2	114250-53400	SHIM SET	3							
34	2	129155-61830	O-RING, S10	3							
35	1	129150-59120	RETAINER, PIPE	1							
36	2	129150-59130	BOLT, M4X12	2							
38	2	119620-59811	PIPE ASSY, INJECTION	1							
39	2	119620-59821	PIPE ASSY, INJECTION	1							
40	2	119620-59831	PIPE ASSY, INJECTION	1							
41	1	119620-59840	PIPE ASSY, FUEL	1							
42	2	124066-59100	CLIP, HOSE 8	4							
43	2	119260-59520	JOINT	1							
44	2	119260-59530	JOINT	2							
45	2	105025-59550	PIPE, FUEL RETURN	2							
46	1	119620-59700	NUT, NOZZLE	3							
47	1	23414-140000	GASKET, 14X1.0	3							

N:Old $\frac{100}{100}$ New, Q:Old $\frac{100}{100}$ New, R:Old $\frac{100}{100}$ New, S:Old $\frac{100}{100}$ New, W:Add, Z:Discontinued, F:Interchangeable by set, K:Q'ty Change
 Copyright (C) YANMAR CO., LTD. All Rights Reserved.

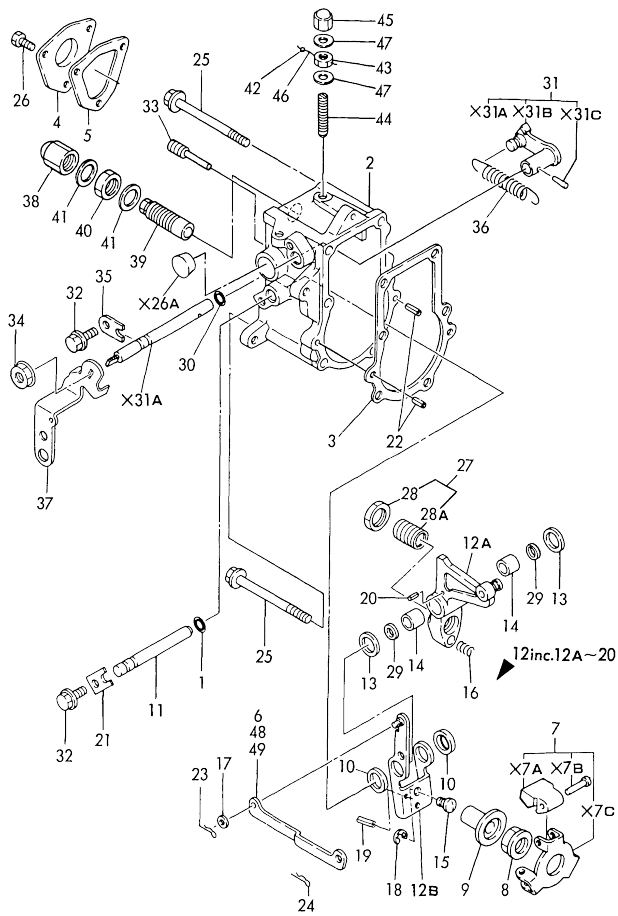
Fig.12. FUEL LINE



No.	Lev.	Parts No.	Description	Qty						I	R
				(A)	(B)	(C)	(D)	(E)	(F)		
1	1	119260-59020	PIPE ASSY, D12XL400	1							
2	2	104264-59030	JOINT, PIPE 8	1							
3	2	124766-59050	CLIP, HOSE 12	2							
4	2	121236-59080	PIPE, FUEL D12X400	1							
5	1	104264-59030	JOINT, PIPE 8	1							
6	1	105582-59150	BOLT, PIPE JOINT	2							
7	1	104200-59170	GASKET, 12	2							
8	1	103854-59191	BOLT ASSY, JOINT M12	1							
9	1	171059-55600	FILTER ASSY, FUEL	1							
10	2	104200-55321	VALVE, TAPER	1							
11	2	104200-55330	SPRING, VALVE	1							
12	2	104200-55341	HANDLE	1							
13	2	121254-55510	COVER	1							
14	2	102103-55520	O-RING	1							
15	2	110250-55610	RING, RETAINING	1							
16	2	121250-55620	SPRING	1							
17	2	124550-55700	FILTER, FUEL L=90	1							
18	2	101720-55750	PLUG, 6	2							
19	2	104200-55750	SCREW, M4	1							
20	2	23418-060000	GASKET, 6X1.0	2							
21	2	24311-240100	O-RING, 1AP10A	1							
22	1	121520-01850	GASKET	1							
22-1	1	121520-01851	GASKET	1							N
(A=E# 37145)											
23	1	119600-52021	PUMP ASSY, FUEL FEED	1							
24	1	26014-060202	BOLT, M6X 20	2							
25	1	119225-59040	PIPE ASSY, FUEL	1							
26	2	101304-59020	JOINT, PIPE 12	1							
27	2	124766-59050	CLIP, HOSE 12	2							
28	2	121250-59080	PIPE, FUEL D12X180	1							
29	1	23414-080012	GASKET, 8X1.0	4							
30	1	26014-080702	BOLT, M8X 70	1							

N:Old $\frac{New}{Old}$ New, Q:Old $\frac{New}{Old}$ New, R:Old $\frac{New}{Old}$ New, S:Old $\frac{New}{Old}$ New, W:Add, Z:Discontinued, F:Interchangeable by set, K:Qty Change
 Copyright (C) YANMAR CO., LTD. All Rights Reserved.

Fig.13. GOVERNOR



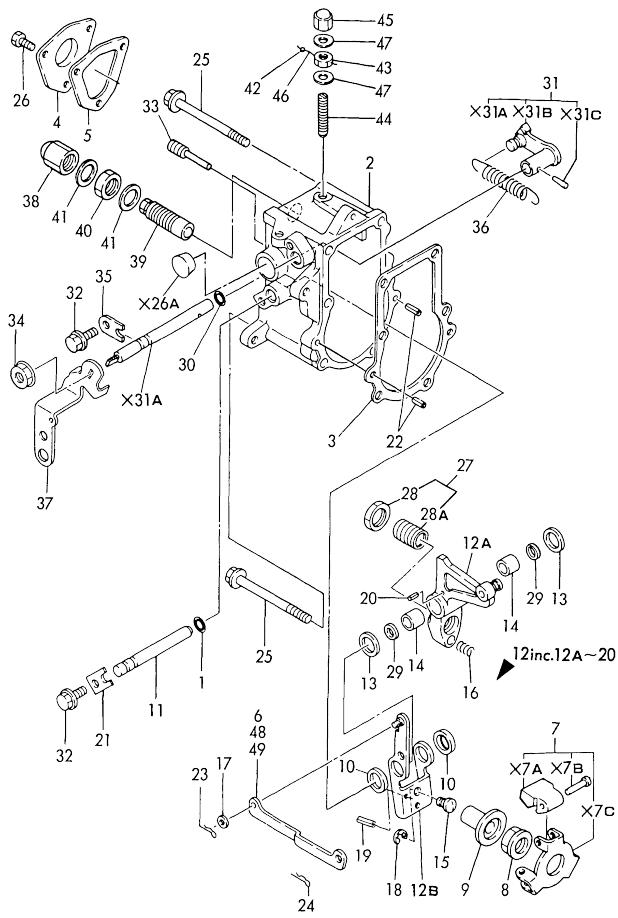
(A)=3TNA72E-UNS
(B)=
(C)=

(D)=
(E)=
(F)=

No.	Lev.	Parts No.	Description	Q'ty						I	R
				(A)	(B)	(C)	(D)	(E)	(F)		
1	1	129155-51280	O-RING, S6	1							
2	1	119660-61013	CASE, GOVERNOR	1							
3	1	119660-61051	GASKET	1							
3-1	1	119660-61052	GASKET	1							N
(A=E# 37145)											
4	1	119660-61060	COVER, GOVERNOR CASE	1							
5	1	119660-61070	GASKET	1							
5-1	1	119660-61071	GASKET	1							N
(A=E# 37145)											
6	1	119660-61121	LINK, NO MARK	1							
7	1	119600-61200	WEIGHT ASSY, GOVERNOR	1							
8	1	119660-61300	NUT	1							
9	1	119660-61341	SLEEVE	1							
10	1	129155-61480	SPACER ASSY	2							
11	1	119660-61491	SHAFT	1							
12	1	119656-61500	LEVER ASSY, GOVERNOR	1							
12A	2	119660-61512	LEVER, TENSION	1							
12B	2	119660-61520	LEVER, GOVERNOR	1							
13	2	174307-51700	SHIM SET	2							
14	2	121450-61520	BEARING, NEEDLE 8	2							
15	2	119600-61540	SHIFTER	1							
16	2	119660-61651	SPRING, STARTING	1							
17	2	22117-040000	WASHER, 4	1							
18	2	22272-000040	RING, E- 4	1							
19	2	22351-020004	PIN, SPRING 2.0X 4	1							
20	2	22351-030014	PIN, SPRING 3.0X14	1							
21	1	119660-61901	RETAINER, SHAFT	1							
22	1	22351-040010	PIN, SPRING 4.0X10	2							
23	1	22360-040000	PIN, SNAP 4	1							
24	1	22360-060000	PIN, SNAP 6	1							
25	1	26106-060702	BOLT, M6X 70 PLATED	6							
26	1	26116-050102	BOLT, M5X 10 PLATED	3							
27	1	119610-66700	ANGLEICH ASSY	1							
28	2	129155-61590	NUT, LOCK	1							
28A	2	129555-61800	SHIM SET	1							
29	1	119660-61460	SHIM SET	1							
30	1	24341-000070	O-RING, 1AS7.0	1							
31	1	119621-66091	SHAFT ASSY	1							
32	1	26106-060102	BOLT, M6X 10 PLATED	2							
33	1	124250-03640	SCREW	1							
34	1	194990-22050	NUT, M8	1							
35	1	119600-61900	RETAINER, SHAFT	1							
36	1	119600-66020	SPRING, REGULATOR	1							
37	1	119640-66051	HANDLE, REGULATOR	1							
38	1	129100-61930	NUT, CAP	1							
39	1	119600-66530	LIMITER ASSY, FUEL	1							
40	1	124772-66750	NUT, LOCK M12	1							
41	1	43400-500450	SEAL WASHER 12	2							
42	1	135210-61090	LEAD	1							
43	1	124550-66370	NUT, M6	1							
44	1	121575-66830	SCREW	1							

N:Old $\frac{100}{100}$ New, Q:Old $\frac{100}{100}$ New, R:Old $\frac{100}{100}$ New, S:Old $\frac{100}{100}$ New, W:Add, Z:Discontinued, F:Interchangeable by set, K:Q'ty Change
 ++ CONTINUE ++
 Copyright (C) YANMAR CO., LTD. All Rights Reserved.

Fig.13. GOVERNOR



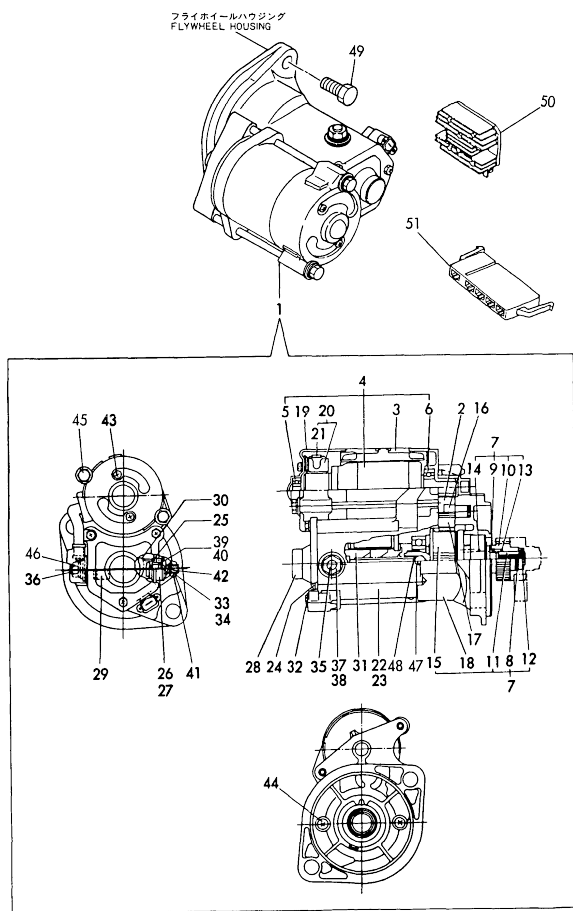
(A)=3TNA72E-UNS
(B)=
(C)=

(D)=
(E)=
(F)=

No.	Lev.	Parts No.	Description	Q'ty					
				(A)	(B)	(C)	(D)	(E)	(F)
45	1	119600-66840	NUT, CAP	1					
46	1	22451-060000	WIRE, 0.6	1					
47	1	43400-500400	SEAL WASHER 6	2					
48	1	119660-61140	LINK, MARK :2	1					
49	1	119660-61150	LINK, MARK :3	1					

N:Old $\frac{100}{100}$ New, Q:Old $\frac{100}{100}$ New, R:Old $\frac{100}{100}$ New, S:Old $\frac{100}{100}$ New, W:Add, Z:Discontinued, F:Interchangeable by set, K:Q'ty Change
Copyright (C) YANMAR CO., LTD. All Rights Reserved.

Fig.14. STARTING MOTOR



No.	Lev.	Parts No.	Description	Qty						I	R
				(A)	(B)	(C)	(D)	(E)	(F)		
1	1	119620-77011	STARTER	1							
2	2	X0280630011	RETAINER	1							
3	2	X0281003751	YOKE ASSY	1							
4	2	X0282001531	ARMATURE ASSY	1							
5	3	X9491001360	BEARING	1							
6	3	X9491001860	BALL BEARING	1							
7	2	X0283005050	CLUTCH, STARTER	1							
8	3	X0280210230	NUT	1							
9	3	X0283270140	RETAINER	1							
10	3	X0283715030	PINION, STARTER	1							
11	3	X0283810040	SHAFT	1							
12	3	X9490721080	RING	1							
13	3	X9491703371	SPRING, COIL	1							
14	3	X9491704260	SPRING	1							
15	3	121120-77930	CASE ASSY, STARTER	1							
16	2	X0283060061	ROLLER	5							
17	2	X0283711420	PINION	1							
18	2	X0284004910	HOUSING, STARTER	1							
19	2	X0285040631	FRAME ASSY	1							
20	2	X0285100460	HOLDER ASSY, BRUSH	1							
21	3	X9491730461	SPRING	4							
22	2	X0534006460	SWITCH, MAGNETIC	1							
23	3	X0534040320	GASKET	1							
24	3	X0534490120	BUSH	1							
25	3	X0534490120	BUSH	1							
26	3	X0534490230	BUSH	1							
27	3	X0534490230	BUSH	1							
28	3	X0535050620	COVER	1							
29	3	X0535130241	PLATE (B)	1							
30	3	X0535130320	PLATE (A)	1							
31	3	X0536600401	PLUNGER	1							
32	3	X9151005141	BOLT W/WASHER	3							
33	3	X9490170900	WASHER	1							
34	3	X9490170900	WASHER	1							
35	3	X9490441303	BOLT	1							
36	3	X9490441312	BOLT	1							
37	3	X9490502820	NUT	1							
38	3	X9490502820	NUT	1							
39	3	X9491402100	O-RING	1							
40	3	X9491402100	O-RING	1							
41	2	X9019008651	NUT	1							
42	2	X9025808001	WASHER	1							
43	2	X9490071810	SCREW W/WASHER	2							
44	2	X9490071970	SCREW W/WASHER	2							
45	2	X9490423330	BOLT W/WASHER	2							
46	2	X9490561370	NUT	1							
47	2	X9491200240	BALL	1							
48	2	X9491703380	SPRING	1							
49	1	26116-120252	BOLT, M12X 25 PLATED	2							
50	1	119660-77710	LIMITER, CURRENT 15A	1							
50-1	1	129150-77710	LIMITER, CURRENT 20A	1							S

N:Old $\frac{New}{Old}$ New, Q:Old $\frac{New}{Old}$ New, R:Old $\frac{New}{Old}$ New, S:Old $\frac{New}{Old}$ New, W:Add, Z:Discontinued, F:Interchangeable by set, K:Qty Change
 ++ CONTINUE ++
 Copyright (C) YANMAR CO., LTD. All Rights Reserved.

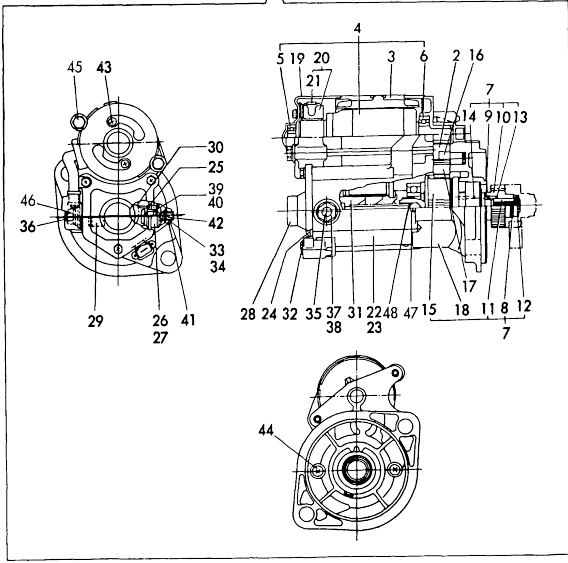
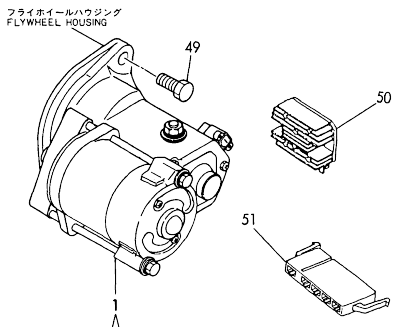
Fig.14. STARTING MOTOR

(A)=3TNA72E-UNS
(B)=
(C)=

(D)=
(E)=
(F)=

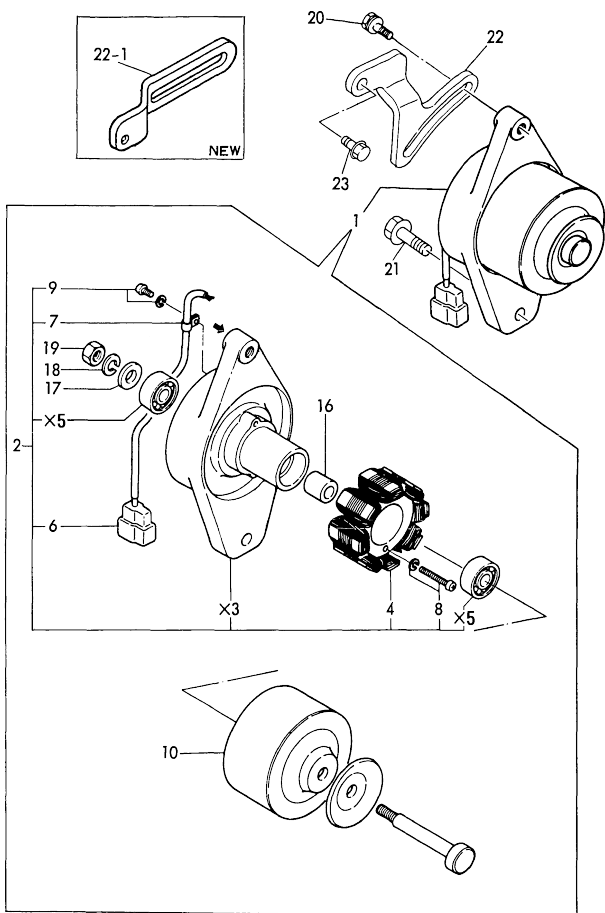
No.	Lev.	Parts No.	Description	Q'ty					
				(A)	(B)	(C)	(D)	(E)	(F)

(A=E# 61550)										
51	1	171301-77720	COUPLER	1						



N:Old $\frac{100}{100}$ New, Q:Old $\frac{100}{100}$ New, R:Old $\frac{100}{100}$ New, S:Old $\frac{100}{100}$ New, W:Add, Z:Discontinued, F:Interchangeable by set, K:Q'ty Change
Copyright (C) YANMAR CO., LTD. All Rights Reserved.

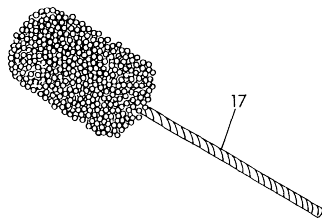
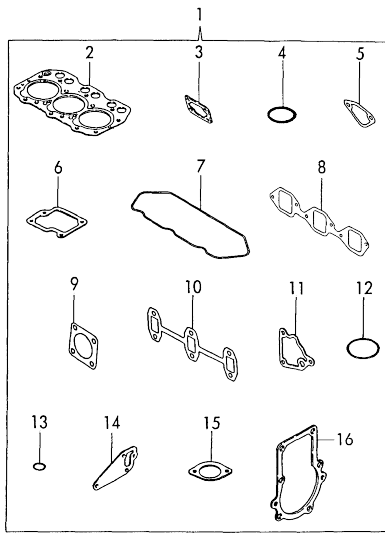
Fig.15. GENERATOR



No.	Lev.	Parts No.	Description	Q'ty						I	R
				(A)	(B)	(C)	(D)	(E)	(F)		
1	1	171301-77201	DYNAMO ASSY, 15A	1							
1-1	1	129150-77202 (A=E/# 47723)	GENERATOR	1							N
2	2	XM08137	PLATE ASSY	1							S
2-1	2	129150-77210 (A=E/# 23329)	PLATE ASSY	1							S
4	3	XM08180	STATOR SET	1							S
4-1	3	XM081780000 (A=E/# 23329)	STATOR	1							S
6	3	XM17878	COUPLER	1							S
7	3	XM36410	CLAMP	1							S
7-1	3	XM069000000 (A=E/# 23329)	CLAMP	1							S
8	3	26022-040252	SCREW, M4X25	2							S
8-1	3	XYSPS402400 (A=E/# 23329)	SCREW	2							S
9	3	XYSPS4008	SCREW	1							S
10	2	XM82184	FLYWHEEL ASSY	1							S
10-1	2	129150-77230 (A=E/# 23329)	FLYWHEEL ASSY	1							S
16	2	106383-44720	SPACER	1							S
16-1	2	XM329830000 (A=E/# 23329)	COLLAR	1							S
17	2	106383-44730	WASHER	1							S
17-1	2	XM860250000 (A=E/# 23329)	WASHER, 10	1							S
18	2	22212-100000	SPRING WASHER 10	1							S
18-1	2	XM219230000 (A=E/# 23329)	WASHER, SPRING	1							S
19	2	26716-100002	NUT, M10	1							S
19-1	2	XM863720000 (A=E/# 23329)	NUT	1							S
20	1	26014-080252	BOLT, M8X 25	1							S
21	1	26106-100402	BOLT, M10X 40 PLATED	1							N
21-1	1	26106-100302 (A=E/# 47723)	BOLT, M10X 30 PLATED	1							N
22	1	119600-77330	ADJUSTER, BELT	1							S
22-1	1	119660-77330 (A=E/# 22676)	ADJUSTER	1							S
23	1	26106-080182	BOLT, M8X 18 PLATED	1							N
23-1	1	26106-080162 (A=E/# 39447)	BOLT, M8X 16 PLATED	1							N

N:Old $\frac{100}{100}$ New, Q:Old $\frac{100}{100}$ New, R:Old $\frac{100}{100}$ New, S:Old $\frac{100}{100}$ New, W:Add, Z:Discontinued, F:Interchangeable by set, K:Q'ty Change
Copyright (C) YANMAR CO., LTD. All Rights Reserved.

Fig.16. GASKET SET & TOOL(OPTIONAL)



Remarks
(1) OPTIONAL PART.

No.	Lev.	Parts No.	Description	Q'ty						I	R
				(A)	(B)	(C)	(D)	(E)	(F)		
1	1	719632-92600	GASKET SET	1							1
1-1	1	719632-92601	GASKET SET	1							N 1
(A=E/# 41917)											
2	2	119610-01340	GASKET, HEAD	1							
3	2	119660-01561	GASKET	1							
3-1	2	119660-01562	GASKET	1							N
(A=E/# 37145)											
4	2	24311-000320	O-RING, 1AP32.0	1							
5	2	121520-01850	GASKET	1							
5-1	2	121520-01851	GASKET	1							N
(A=E/# 37145)											
6	2	119620-03030	GASKET	1							
6-1	2	119620-03031	GASKET	1							N
(A=E/# 37145)											
7	2	119620-11310	GASKET, BONNET	1							
8	2	119620-12110	GASKET, MANIFOLD	1							
8-1	2	119620-12111	GASKET, MANIFOLD	1							N
(A=E/# 38289)											
9	2	124701-11910	GASKET, SILENCER	2							
9-1	2	124701-11911	GASKET, SILENCER	1							N
(A=E/# 41917)											
10	2	119620-13110	GASKET	1							
11	2	119660-35112	GASKET	1							
11-1	2	119660-35113	GASKET	1							N
(A=E/# 37145)											
12	2	124450-35110	O-RING	1							
13	2	24311-000160	O-RING, 1AP16.0	1							
14	2	119620-42020	GASKET, WATER PUMP	1							
15	2	129350-49540	GASKET	1							
15-1	2	129350-49541	GASKET	1							N
(A=E/# 37145)											
16	2	119660-61051	GASKET	1							
16-1	2	119660-61052	GASKET	1							N
(A=E/# 37145)											
17	1	129400-92410	FLEX HORN	1							1

Parts No. Index

Parts No.	Fig. No.	Ref. No.	Parts No.	Fig. No.	Ref. No.	Parts No.	Fig. No.	Ref. No.	Parts No.	Fig. No.	Ref. No.
101158-11190	4	10	119620-01200	1	13	119620-42020	10	2	119656-61500	13	12
101304-59020	12	26	119620-01620	3	7		16	14	119660-01492	2	1
101720-55750	12	18	119620-01750	3	14	119620-51101	11	2	119660-01510	2	2
102103-55520	12	14	119620-01800	2	6	119620-51170	11	3	119660-01521	2	5
103854-59191	12	8	119620-01950	2	8	119620-51180	11	4	119660-01551	2	19
104200-55321	12	10	119620-02020	1	7	119620-51190	11	5	119660-01561	2	20
104200-55330	12	11	119620-02410	1	10	119620-51250	11	6		16	3
104200-55341	12	12	119620-02450	1	11	119620-51300	11	7	119660-01562	2	20 -1
104200-55750	12	19		7	2 A	119620-51340	11	9		16	3 -1
104200-59170	12	7			20	119620-51350	11	10	119660-01570	2	21
104211-11370	4	13	119620-03020	4	40	119620-51370	11	11	119660-01590	2	4 A
104264-59030	12	2	119620-03030	4	41	119620-51450	11	12	119660-01640	3	7 A
		5		16	6	119620-51461	11	13	119660-01651	3	8
104884-59170	1	17	119620-03031	4	41 -1	119620-51510	11	15	119660-01821	7	6
105010-11230	4	24		16	6 -1	119620-51650	11	17	119660-01911	2	7
		27	119620-11100	4	6	119620-51660	11	18	119660-14092	7	7
105025-59550	11	45	119620-11110	4	7	119620-51670	11	19	119660-21201	8	2
105225-23200	8	18	119620-11120	4	8	119620-51680	11	20	119660-21651	8	4
105546-51330	11	8	119620-11180	4	9	119620-51700	11	21	119660-25022	7	13
105582-59150	12	6	119620-11200	4	21	119620-53000	11	27	119660-25052	7	14
106383-44720	15	16	119620-11240	4	22	119620-53080	11	28	119660-25902	7	9
106383-44730	15	17	119620-11260	4	29	119620-53120	11	30	119660-32001	9	1
110250-55610	12	15	119620-11280	4	30	119620-53140	11	32	119660-32020	9	2
114250-53130	11	31	119620-11310	4	36	119620-59540	11	41	119660-35102	9	6
114250-53400	11	33			45 A	119620-59700	11	46	119660-35112	9	7
119225-59040	12	25		16	7	119620-59811	11	38		16	11
119260-07900	4	18	119620-11330	4	38 -3	119620-59821	11	39	119660-35113	9	7 -1
119260-59020	12	1	119620-11350	4	33	119620-59831	11	40		16	11 -1
119260-59520	11	43	119620-11801	4	15	119620-77011	14	1	119660-35150	9	8
119260-59530	11	44	119620-12110	5	15	119620-77820	4	49	119660-35300	9	10
119332-13500	6	10 -1		16	8	119621-21680	8	5	119660-42003	10	1
119600-01050	1	2	119620-12111	5	15 -1	119621-66091	13	31	119660-42004	10	1 -1
119600-01600	3	12		16	8 -1	119629-14580	7	1	119660-42350	10	5 -1
119600-01722	3	4	119620-13110	6	2	119631-34800	9	4	119660-51500	11	14
119600-11450	4	16		16	10	119632-07900	4	14	119660-51530	11	16
119600-11460	4	17	119620-13550	6	9	119632-12501	5	1	119660-61013	13	2
119600-13100	6	1	119620-14010	7	1 A	119632-12551	5	7	119660-61051	13	3
119600-35081	9	14	119620-14100	7	2	119632-12560	5	9		16	16
119600-52021	12	23	119620-14200	7	4	119632-12590	5	8	119660-61052	13	3 -1
119600-61200	13	7	119620-14400	7	5	119632-44500	10	16		16	16 -1
119600-61520	13	12 B	119620-21941	8	6	119632-49020	10	19	119660-61060	13	4
119600-61540	13	15	119620-22090	8	11	119640-12580	5	10	119660-61070	13	5
119600-61900	13	35	119620-22300	8	13	119640-21590	8	9 -1	119660-61071	13	5 -1
119600-66020	13	36	119620-22900	8	15	119640-42290	10	4 -2	119660-61121	13	6
119600-66530	13	39	119620-22920	8	24	119640-66051	13	37	119660-61140	13	48
119600-66840	13	45	119620-22950	8	16	119640-77250	2	32	119660-61150	13	49
119600-77330	15	22	119620-22970	8	26	119641-12570	5	17	119660-61300	13	8
119610-01340	1	14	119620-23910	8	20	119645-12100	5	14	119660-61341	13	9
	16	2	119620-25102	7	15	119650-42291	10	4 -1	119660-61460	13	29
119610-66700	13	27	119620-25912	7	16	119656-01900	1	15	119660-61491	13	11

Parts No. Index

Parts No.	Fig. No.	Ref. No.
119660-61512	13	12 A
119660-61651	13	16
119660-61901	13	21
119660-77330	15	22 -1
119660-77710	14	50
119688-49010	10	18
119689-89110	8	22
119689-98010	8	23
119865-21600	8	10
121023-01550	2	29
121024-12660	5	2
121111-21501	8	8
121120-01620	3	13
121120-77930	14	15
121236-59080	12	4
121250-49121	10	21
121250-55620	12	16
121250-59080	12	28
121254-55510	12	13
121450-01560	2	3
121450-42450	10	12
121450-49100	10	20 A
121450-49110	10	20
121450-61520	13	14
121465-12510	5	4
121465-12700	5	3
121520-01850	12	22
	16	5
121520-01851	12	22 -1
	16	5 -1
121520-34810	9	5
121550-49111	1	16
121575-66830	13	44
121850-11860	4	2
124064-12680	5	5
124064-12690	5	6
124066-59100	11	42
124085-02220	3	9
124160-01751	2	22
	4	50
124160-11340	4	12
124160-11360	4	37
124160-39450	9	17
124240-01871	2	25
124240-01882	2	31
124240-01883	2	31 -1
124250-03640	13	33
124250-49351	10	14
124450-35110	9	9
	16	12

Parts No.	Fig. No.	Ref. No.
124450-44590	10	17
124465-44950	10	13
124550-55700	12	17
124550-66370	13	43
124700-44740	10	6
124701-11910	6	8
		8 -1
	16	9
124701-11911	6	8 -2
	16	9 -1
124766-59050	12	3
		27
124772-66750	13	40
124950-11340	4	11
129100-01580	3	11
	8	3 A
		7
129100-61930	13	38
129107-13550	6	8 A
129150-35350	9	11
129150-49360	10	15
129150-59120	11	35
129150-59130	11	36
129150-77202	15	1 -1
129150-77210	15	2 -1
129150-77230	15	10 -1
129150-77710	14	50 -1
129155-51280	13	1
129155-61480	13	10
129155-61590	13	28
129155-61830	11	34
129350-49530	10	8
129350-49540	10	9
	16	15
129350-49541	10	9 -1
	16	15 -1
129350-49800	10	10
129400-92410	16	17
129555-61800	13	28 A
129795-77800	4	48
135210-61090	13	42
171059-55600	12	9
171301-01640	3	2
171301-77201	15	1
171301-77720	14	51
174307-51700	13	13
194990-22050	2	9
	6	3
		4
	13	34

Parts No.	Fig. No.	Ref. No.
22117-040000	13	17
22137-040000	11	22
22212-100000	15	18
22217-040000	11	23
22217-050000	4	42
22242-000120	4	31
22242-000200	7	17
22252-000210	8	14
22272-000040	13	18
22351-020004	13	19
22351-030014	13	20
22351-040010	2	4
	13	22
22351-060012	4	5
22360-040000	13	23
22360-060000	13	24
22451-060000	13	46
22512-040120	7	3
	8	3
23000-060000	5	11
		18
23010-038000	10	23
23065-120500	4	46
23414-080012	12	29
23414-140000	11	47
23418-060000	12	20
23871-010000	1	3
24101-062034	7	19
24102-063034	7	10
24311-000120	2	11
	4	47
	9	15
24311-000160	9	12
	10	22
	16	13
24311-000320	2	23
	4	51
	16	4
24311-240100	12	21
24341-000070	13	30
24341-000240	2	30 -1
	3	3
24341-000260	2	30
26014-060162	10	7
26014-060202	12	24
26014-080202	5	12
26014-080252	15	20
26014-080702	12	30
26022-040082	11	24

Parts No.	Fig. No.	Ref. No.
26022-040252	15	8
26106-060102	9	16
	13	32
26106-060122	1	12
	3	5
	4	20
	7	18
26106-060162	2	12
	7	11
26106-060182	2	10
26106-060202	5	16
26106-060222	3	10
26106-060302	2	13
		13 -1
		13 -2
26106-060452	3	6
26106-060502	2	14
		33
26106-060602	2	15
		16
26106-060702	13	25
26106-060802	2	17
26106-080122	2	26
26106-080142	4	19
26106-080162	15	23 -1
26106-080182	15	23
26106-080202	9	13
	10	11
26106-080402	6	5
26106-080452	4	34
	10	3
26106-080652	2	27
26106-100302	15	21 -1
26106-100402	15	21
26106-100602	2	18 -1
26116-050102	13	26
26116-120252	14	49
26206-100252	3	15
26216-080222	6	6
26216-080552	6	7
26216-100352	2	18
26366-060002	2	24
26366-080002	2	28
	4	35
	5	13
26450-060202	9	3
26557-050102	4	43
26587-040102	11	25
26587-080102	7	12
26716-100002	15	19

Parts No. Index

Parts No.	Fig. No.	Ref. No.
26756-060002	4	25
		28
26979-050162	4	32
27221-050080	4	3
27231-450000	1	4
27241-120000	1	5
27241-300000	1	6
27241-400000	4	4
43100-552890	6	10
43400-500400	13	47
43400-500450	13	41
719610-01560	1	1
719620-02800	1	8
719620-02870	1	18
719620-02930	1	9
719620-11521	4	38
719620-11522	4	38 -1
719620-11523	4	38 -2
719620-11650	4	23
719620-11660	4	26
719620-22500	8	12 -1
719620-23100	8	17
719620-23600	8	30
719620-23610	8	21
719620-53100	11	26
719621-51100	11	1
719621-51700	11	1 -1
719631-01540	3	1
719632-92600	16	1
719632-92601	16	1 -1
719660-11700	4	1
719660-14590	7	6 A
719660-21700	8	1 -1
719660-21701	8	1
X0280210230	14	8
X0280630011	14	2
X0281003751	14	3
X0282001531	14	4
X0283005050	14	7
X0283060061	14	16
X0283270140	14	9
X0283711420	14	17
X0283715030	14	10
X0283810040	14	11
X0284004910	14	18
X0285040631	14	19
X0285100460	14	20
X0534006460	14	22
X0534040320	14	23
X0534490120	14	24

Parts No.	Fig. No.	Ref. No.
X0534490120	14	25
X0534490230	14	26
		27
X0535050620	14	28
X0535130241	14	29
X0535130320	14	30
X0536600401	14	31
X9019008651	14	41
X9025808001	14	42
X9151005141	14	32
X9490071810	14	43
X9490071970	14	44
X9490170900	14	33
		34
X9490423330	14	45
X9490441303	14	35
X9490441312	14	36
X9490502820	14	37
		38
X9490561370	14	46
X9490721080	14	12
X9491001360	14	5
X9491001860	14	6
X9491200240	14	47
X9491402100	14	39
		40
X9491703371	14	13
X9491703380	14	48
X9491704260	14	14
X9491730461	14	21
XM069000000	15	7 -1
XM08137	15	2
XM081780000	15	4 -1
XM08180	15	4
XM17878	15	6
XM219230000	15	18 -1
XM329830000	15	16 -1
XM36410	15	7
XM82184	15	10
XM860250000	15	17 -1
XM863720000	15	19 -1
XYSPS4008	15	9
XYSPS402400	15	8 -1

Parts No.	Fig. No.	Ref. No.
-----------	----------	----------

Parts No.	Fig. No.	Ref. No.
-----------	----------	----------