

0CV10-M35602EN

# PREFACE

1. This Parts Catalog carries all parts incorporated in YANMAR Model 3TNA72E-UAS engine manufactured since September, 1988.
2. Each illustration corresponds to the parts list on the following page.
3. When ordering parts, clearly write down the engine model and serial number, as well as the name and number of each part in your order sheet. This will help insure reliable delivery of the parts you have ordered.
4. Pub.No.000Y00R3560            First Published : September, 1988.  
    Pub.No.000Y00V3561            First Revised    : November, 1990.  
    Pub.No.000Y00V3562            Second Revised : May, 1992.

## Directions for the Parts Catalog.

1. This Parts Catalog shows both standard and optional parts.
2. Parts may change without prior notice.
3. The following is an example of the Parts Catalog format.

REF.	LEV.	PARTS NO.	DESCRIPTION	Q'TY						I	R
				(A)	(B)	(C)	(D)	(E)	(F)		
1	1	729595-51390	FUEL INJECTION PUMP	1	1	1	1	1			1
1-1	1	729595-51391	FUEL INJECTION PUMP	1	1	1	1	1		N	1
		(A=E00185) (B=E00200)									
3	2	26022-060162	SCREW M 6X 16	9	9	9	9	9			
3-1	2	26022-060162	SCREW M 6X 16	4	4	4	4	4		K	
		(A=E00156) (B=E00156) (C=E00156) (D=E00156) (E=E00156)									
4	2	129470-51040	CAMSHAFT	1	1	1	1	1			
5	2	122710-51050	BEARING, ROLLER	2	2	2	2	2			
6	2	129470-51060	RETAINER	1	1	1	1	1			

Remarks
(1) BOOST COMPEMSATOR TYPE. OPTIONAL PART, TO E00155,(4JH-DT, 4JH-DTZ

### ① Ref. No.

The Ref. No. listed may not be in accordance with the illustration Ref. No.

(Ex.) Illustration No.

List Ref No.

1 1 (Before change) → 1-1 (After change)

For interchangeable symbols N, R and K, illustrations for new parts may be abbreviated.

### ② Lev. (Level)

Level indication

The numbers below indicate the level of relativity towards the main part.

1 ---- Main parts (Assembly parts)

2 ---- Sub component included in " 1 ".

3 ---- Sub component included in " 2 ".

Note) Parts that are not for sale are partially illustrated but not listed.

### ③ Interchangeability Symbol

When a part change takes place, one of the following interchangeability symbols is indicated beside the part.

Symbol	Interchangeability	Contents note
N	Old $\begin{matrix} \leftarrow \text{Yes} \\ \text{No} \rightarrow \end{matrix}$ New	New Part is interchangeable for Old Part but Old Part is not interchangeable for New Part.
Q	Old $\begin{matrix} \leftarrow \text{No} \\ \text{Yes} \rightarrow \end{matrix}$ New	New Part is not interchangeable for Old Part but Old Part is interchangeable for New Part.
R	Old $\begin{matrix} \leftarrow \text{Yes} \\ \text{Yes} \rightarrow \end{matrix}$ New	New/ Old Parts are both interchangeable.
S	Old $\begin{matrix} \leftarrow \text{No} \\ \text{No} \rightarrow \end{matrix}$ New	New/ Old Parts are both not interchangeable.
W		Part newly added.
Z		Part discontinued.
F		Not interchangeable by a single part but interchangeable together with related parts.
K		Changes only for used parts quantities.

### ④ Effective Machine No.

When a part changes, the effective Machine No. will be indicated in the (A)-(F) column.

Product Symbol	Product No.	Product Symbol	Product No.
C	Clutch No. Compressor No.	F	Machine No. (Agricultural Equip.)
D	Drive No.	M	Machine No.
E	Engine No.		

Note 1) A date may follow the symbol. (Ex.) 1996.01

Note 2) "XXXXX" and "ZZZZZ" are for parts that could not be predicted or for engine models that could not be identified.

Note 3) (A=E00185) is the E (Engine Serial Number) for the column (A) model (in this case 4JH-DT) after the parts design change.

### ⑤ Remarks

Figures or alphabets (symbols) are entered in the remarks column.

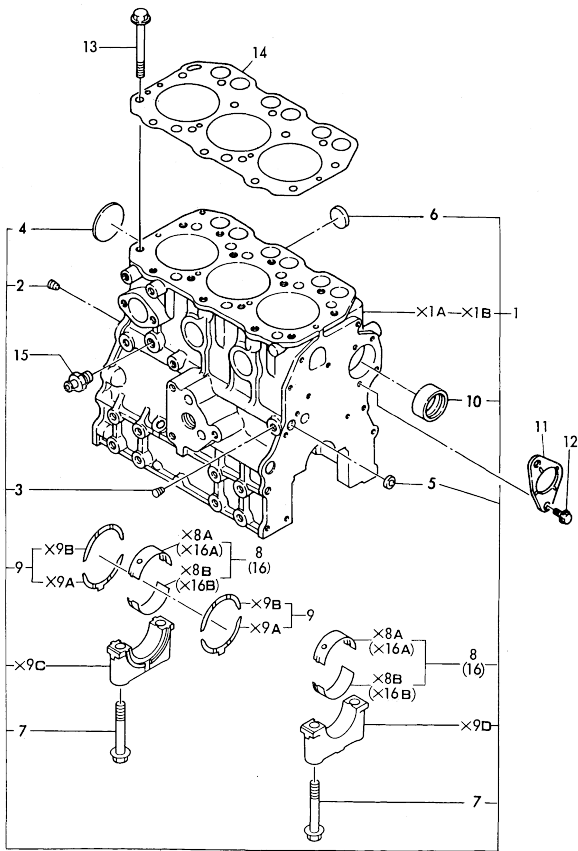
The comments (remarks) on parts that are indicated at the bottom of the illustration are the same symbols as those stated above.

## Contents

Fig. No.	Fig. Name	Fig. No.	Fig. Name
3TNA72E-UAS			
1.	CYLINDER BLOCK		
2.	GEAR HOUSING		
3.	FLYWHEEL HOUSING & L.O.SUMP		
4.	CYLINDER HEAD & BONNET		
5.	SUCTION & EXHAUST MANIFOLD		
6.	CAMSHAFT & DRIVING GEAR		
7.	CRANKSHAFT & PISTON		
8.	LUB.OIL SYSTEM		
9.	COOLING WATER SYSTEM		
10.	FUEL INJECTION PUMP		
11.	FUEL LINE		
12.	GOVERNOR		
13.	STARTING MOTOR		
14.	GENERATOR		
15.	ELECTRIC PART		
16.	GASKET SET & TOOL(OPTIONAL)		

Fig.1. CYLINDER BLOCK

Fig. 1 CYLINDER BLOCK

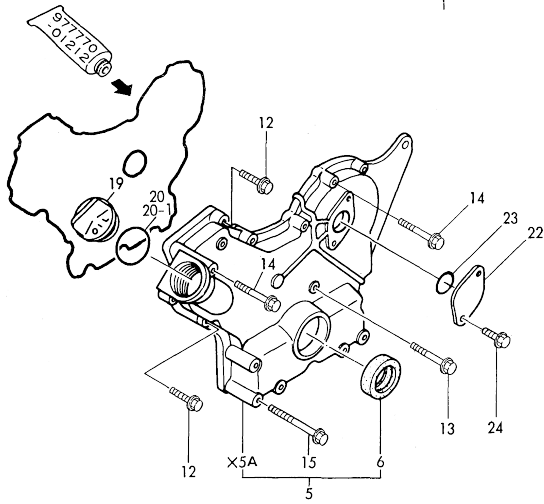
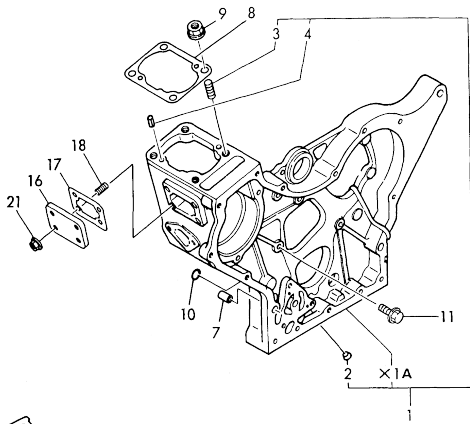


Remarks  
(1) UNDER-SIZED (U.S=0.25) PART.

No.	Lev.	Parts No.	Description	Q'ty					
				(A)	(B)	(C)	(D)	(E)	(F)
1	1	719610-01560	BLOCK ASSY, CYLINDER	1					
2	3	119600-01050	PLUG, PT1/4	1					
3	3	23871-010000	PLUG, R01	1					
4	3	27231-450000	PLUG 45	1					
5	3	27241-120000	PLUG, 12	1					
6	3	27241-300000	PLUG 30	6					
7	2	119620-02020	BOLT, METAL CAP	8					
8	2	719620-02800	BEARING, MAIN	4					
9	2	719620-02930	BEARING, THRUST	2					
10	2	119620-02410	BUSH, CAMSHAFT	1					
11	1	119620-02450	BEARING, THRUST	1					
12	1	26106-060122	BOLT, M6X 12 PLATED	2					
13	1	119620-01200	BOLT, HEAD	14					
14	1	119610-01340	GASKET, HEAD	1					
15	1	121550-49111	JOINT, PT1/4	1					
16	1	719620-02870	BEARING, 0.25 US	4					1

Fig.2. GEAR HOUSING

Fig.2 GEAR HOUSING

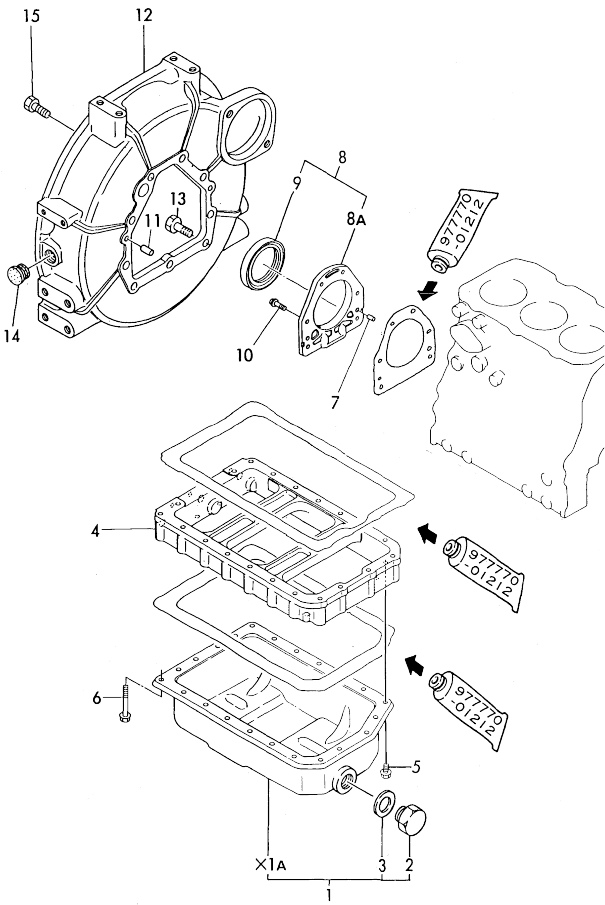


No.	Lev.	Parts No.	Description	Qty						I	R	
				(A)	(B)	(C)	(D)	(E)	(F)			
1	1	119610-01490	CASE ASSY, GEAR	1								
2	2	119660-01510	PLUG, 10X14	1								
3	2	121450-01560	STUD, M8X22	4								
4	2	22351-040010	PIN, SPRING 4.0X10	2								
5	1	119610-01590	COVER ASSY, GEAR CASE	1								W
(A=E/# 45368)												
6	2	119620-01800	SEAL, OIL	1								
7	1	119660-01911	PIPE, KNOCK	4								
8	1	119620-01950	SHIM SET, ADJUSTING	1								
9	1	194990-22050	NUT, M8	4								
10	1	24311-000120	O-RING, 1AP12.0	2								
11	1	26106-060162	BOLT, M6X 16 PLATED	7								
12	1	26106-060302	BOLT, M6X 30 PLATED	8								
13	1	26106-060602	BOLT, M6X 60 PLATED	1								
14	1	26106-060602	BOLT, M6X 60 PLATED	3								
15	1	26106-060802	BOLT, M6X 80 PLATED	6								
16	1	119660-01551	COVER	1								
17	1	119660-01561	GASKET	1								
17-1	1	119660-01562	GASKET	1								R
(A=E/# 37539)												
18	1	119660-01570	STUD, M6X12	4								
19	1	124160-01751	COVER, FILLER	1								
20	1	121420-01760	O-RING	1								
20-1	1	24311-000320	O-RING, 1AP32.0	1								N
(A=FROM IST)												
21	1	26366-060002	NUT, M6	4								
22	1	121023-01550	COVER	1								
23	1	24341-000260	O-RING, 1AS26.0	1								
23-1	1	24341-000240	O-RING, 1AS24.0	1								R
(A=E/# 23415)												
24	1	26106-060182	BOLT, M6X 18 PLATED	2								

N:Old  $\frac{100}{100}$  New. Q:Old  $\frac{100}{100}$  New. R:Old  $\frac{100}{100}$  New. S:Old  $\frac{100}{100}$  New. W:Add. Z:Discontinued. F:Interchangeable by set. K:Qty Change  
 Copyright (C) YANMAR CO., LTD. All Rights Reserved.

Fig.3. FLYWHEEL HOUSING & L.O.SUMP

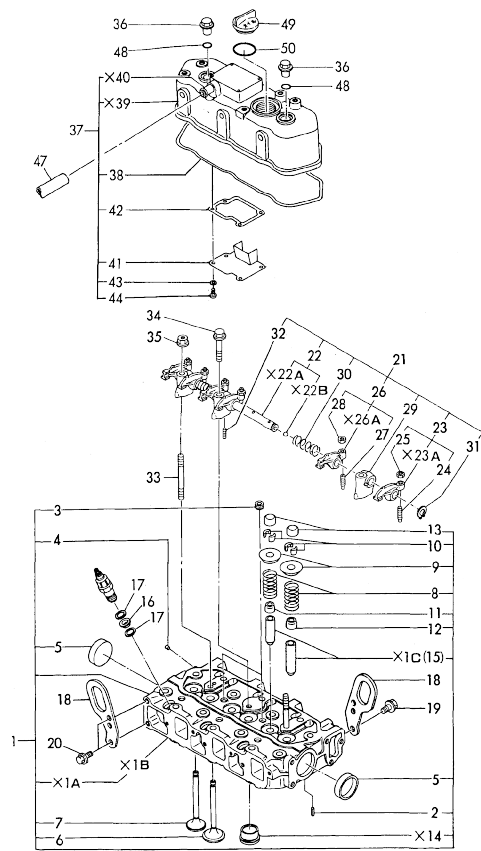
Fig.3 FLYWHEEL HOUSING & LUB. OIL SUMP



No.	Lev.	Parts No.	Description	Q'ty						I	R
				(A)	(B)	(C)	(D)	(E)	(F)		
1	1	719641-01540	SUMP ASSY, OIL	1							
1-1	1	119641-01770	SUMP ASSY, OIL	1							R
(A=E# 38292)											
2	2	23887-120002	PLUG, 12	1							
3	2	43400-500450	SEAL WASHER 12	1							
4	1	119600-01722	SPACER, OIL SUMP	1							
5	1	26106-060122	BOLT, M6X 12 PLATED	3							
6	1	26106-060452	BOLT, M6X 45 PLATED	20							
7	1	119620-01620	PIN, M6X10	2							
8	1	119660-01640	CASE ASSY, OIL SEAL	1							W
(A=EXXX)											
8A	2	119660-01651	CASE, OIL SEAL	1							
9	2	124085-02220	SEAL, OIL	1							
10	1	26106-060222	BOLT, M6X 22 PLATED	10							
11	1	129100-01580	PIN, M8X16	2							
12	1	119600-01600	HOUSING, FLYWHEEL	1							
13	1	121120-01620	BOLT, M10X28	3							
14	1	119620-01750	CAP	1							
15	1	26206-100252	BOLT, M10X 25 PLATED	6							

Fig.4. CYLINDER HEAD & BONNET

Fig.4 CYLINDER HEAD & BONNET



No.	Lev.	Parts No.	Description	Q'ty						I	R
				(A)	(B)	(C)	(D)	(E)	(F)		
1	1	719660-11700	HEAD ASSY, CYLINDER	1							
2	2	22351-060012	PIN, SPRING 6.0X12	2							
3	2	121850-11860	PLUG, PT1/4	2							
4	2	27221-050080	PLUG, 5X 8	1							
5	2	27241-400000	PLUG, 40	2							
6	2	119620-11100	VALVE, INTAKE	3							
7	2	119620-11110	VALVE, EXHAUST	3							
8	2	119620-11120	SPRING, VALVE	6							
9	2	119620-11180	RETAINER, SPRING	6							
10	2	101158-11190	COTTER	6							
10-1	2	27310-070001	COTTER, 7	6							N
(A=EXXXXX)											
11	2	124950-11340	SEAL, VALVE STEM	3							
12	2	124160-11340	SEAL, VALVE STEM	3							
13	2	104211-11370	CAP, VALVE	6							
15	1	119620-11801	GUIDE, VALVE	6							1
16	1	119600-11450	PROTECTOR, NOZZLE	3							
17	1	119600-11460	GASKET, NOZZLE	6							
18	1	119260-07900	LIFTER	2							
19	1	26106-080142	BOLT, M8X 14 PLATED	1							
20	1	26106-080142	BOLT, M8X 14 PLATED	2							
21	1	119620-11200	SUPPORT ASSY, ARM	1							
22	2	119620-11240	SHAFT ASSY, ROCKER	1							
23	2	719620-11650	ARM ASSY, ROCKER	3							
24	3	105010-11230	SCREW, VALVE ADJUST	3							
25	3	26756-060002	NUT, LOCK M6	3							
26	2	719620-11660	ARM ASSY, ROCKER	3							
27	3	105010-11230	SCREW, VALVE ADJUST	3							
28	3	26756-060002	NUT, LOCK M6	3							
29	2	119620-11260	SUPPORT, ROCKER ARM	3							
30	2	119620-11280	SPRING	2							
31	2	22242-000120	RING, 12	2							
32	2	26979-050162	SCREW, M5X16	1							
33	1	119620-11350	STUD	2							
34	1	26106-080452	BOLT, M8X 45 PLATED	1							
35	1	26366-080002	NUT, M8	2							
36	1	124160-11360	KNOB	2							
37	1	719620-11520	BONNET ASSY, HEAD	1							
37-1	1	719620-11521	BONNET ASSY, HEAD	1							N
(A=FROM IST)											
37-2	1	119620-11330	BONNET ASSY, HEAD	1							N
(A=E/# 45368)											
38	2	119620-11310	GASKET, BONNET	1							
41	2	119620-03020	PLATE, SHELTER	1							
42	2	119620-03030	GASKET	1							
42-1	2	119620-03031	GASKET	1							N
(A=E/# 37539)											
43	2	22217-050000	WASHER, SPRING 5	4							
44	2	26557-050102	SCREW, M5X10	4							
46-1	2	24311-000320	O-RING, 1AP32.0	1							N
(A=FROM IST)											

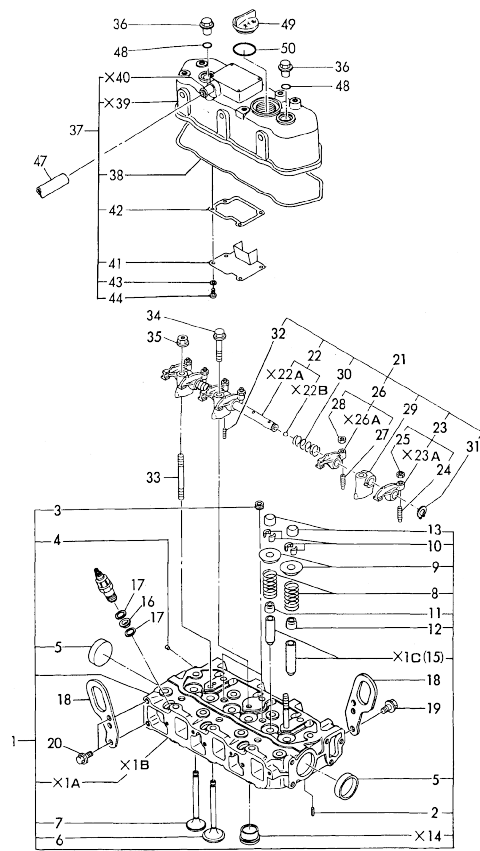
Remarks  
(1)REPAIR PART.

N:Old  $\frac{N}{100}$  New, Q:Old  $\frac{Q}{100}$  New, R:Old  $\frac{R}{100}$  New, S:Old  $\frac{S}{100}$  New, W:Add, Z:Discontinued, F:Interchangeable by set, K:Q'ty Change  
 ++ CONTINUE ++  
 Copyright (C) YANMAR CO., LTD. All Rights Reserved.



Fig.4. CYLINDER HEAD & BONNET

Fig.4 CYLINDER HEAD & BONNET

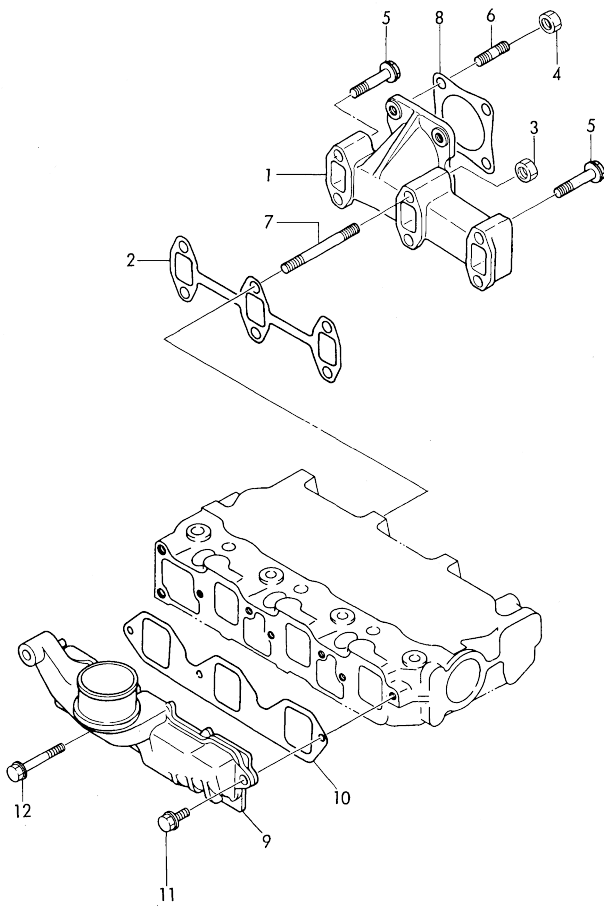


No.	Lev.	Parts No.	Description	Q'ty						I	R
				(A)	(B)	(C)	(D)	(E)	(F)		
47	1	23065-120500	PIPE, 12X 500	1							
48	1	24311-000120	O-RING, 1AP12.0	2							
49	1	124160-01751	COVER, FILLER	1							
50	1	121420-01760	O-RING	1							

Remarks  
(1)REPAIR PART.

Fig.5. SUCTION & EXHAUST MANIFOLD

Fig. **5** SUCTION & EXHAUST MANIFOLD

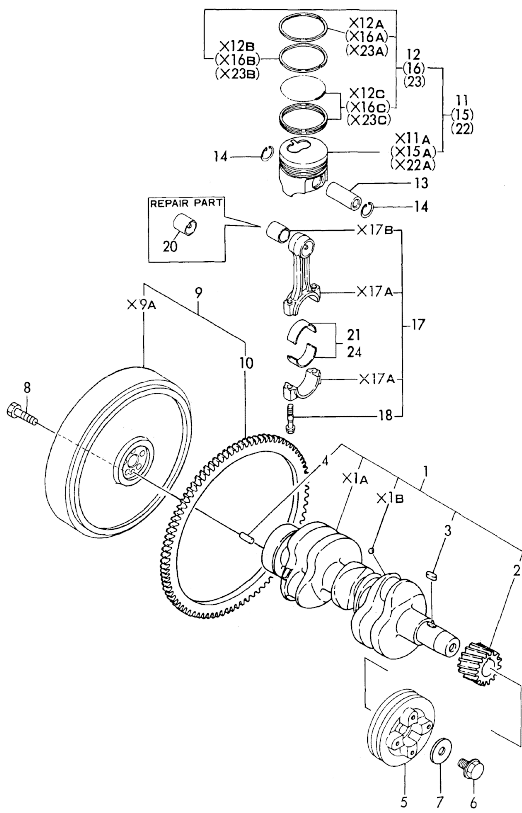


No.	Lev.	Parts No.	Description	Q'ty						I	R
				(A)	(B)	(C)	(D)	(E)	(F)		
1	1	119600-13100	MANIFOLD, EXHAUST	1							
2	1	119620-13110	GASKET	1							
3	1	194990-22050	NUT, M8	2							
4	1	194990-22050	NUT, M8	4							
5	1	26106-080402	BOLT, M8X 40 PLATED	4							
6	1	26216-080222	STUD, M8X 22	4							
7	1	26216-080552	STUD, M8X 55	2							
8	1	121000-13200	GASKET, SILENCER	1							
9	1	119621-12100	MANIFOLD, AIR INTAKE	1							
10	1	119660-12111	GASKET, MANIFOLD	1							
11	1	26106-060162	BOLT, M6X 16 PLATED	2							
12	1	26106-060452	BOLT, M6X 45 PLATED	1							



Fig.7. CRANKSHAFT & PISTON

Fig.7 CRANKSHAFT & PISTON

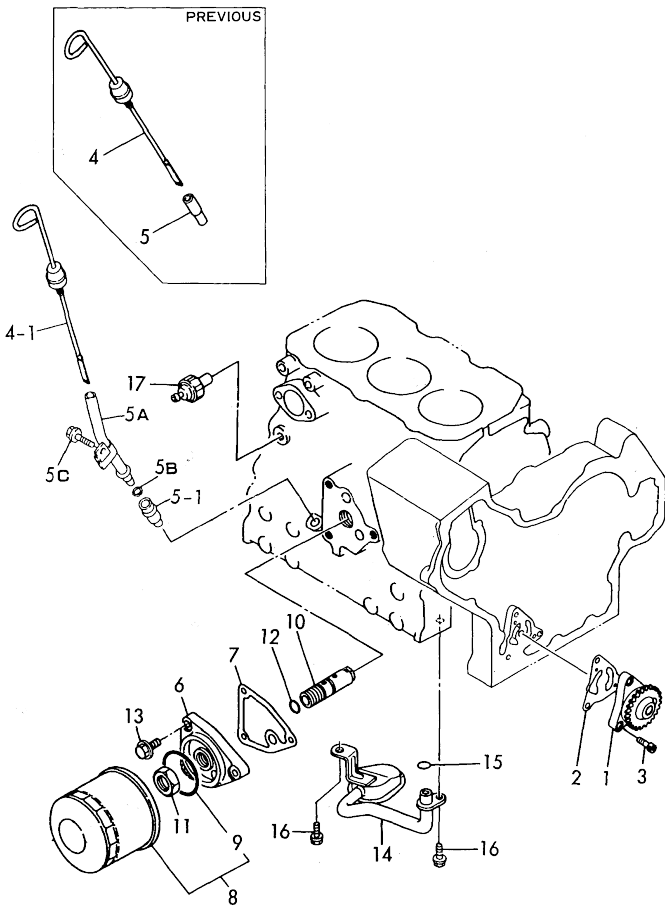


No.	Lev.	Parts No.	Description	Qty						I	R
				(A)	(B)	(C)	(D)	(E)	(F)		
1	1	719660-21701	CRANKSHAFT ASSY	1							
1-1	1	719660-21700	CRANKSHAFT ASSY	1							N
		(A=EXXX)									
2	2	119660-21201	GEAR, CRANKSHAFT	1							
3	2	22512-040120	KEY, 4X 12	1							
4	2	129100-01580	PIN, M8X16	1							
5	1	119660-21651	V-PULLEY	1							
6	1	119621-21680	BOLT, FLANGE 12X1.25	1							
7	1	119620-21941	WASHER	1							
8	1	121111-21501	BOLT, FLYWHEEL	5							
9	1	119600-21580	FLYWHEEL ASSY	1							
10	2	119865-21600	GEAR, RING	1							
11	1	119620-22090	PISTON ASSY	3							
12	2	719620-22501	RING SET, PISTON	3							
12-1	2	719620-22500	RING SET, PISTON	3							R
		(A=FROM 1ST)									
13	1	119620-22300	PIN, PISTON	3							
14	1	22252-000210	RING, 21	6							
15	1	719620-22820	PISTON ASSY, 0.25 OS	3							1
15-1	1	119620-22900	PISTON ASSY, 0.25 OS	3							N 1
		(A=FORM 1ST)									
16	2	719620-22540	RING SET, 0.25 OS	3							1
16-1	2	119620-22950	RING SET, 0.25 OS	3							N 1
		(A=FORM 1ST)									
17	1	719620-23100	ROD ASSY, CONNECTING	3							
18	2	105225-23200	BOLT, CONNECTING ROD	6							
20	1	119620-23910	BEARING, PISTON PIN	3							2
21	1	719620-23610	BEARING ASSY, 0.25	3							3
22	1	119620-22920	PISTON ASSY, 0.50 OS	3							4
23	2	119620-22970	RING SET, 0.50 OS	3							4
24	1	719620-23600	BEARING, CRANK PIN	3							

Remarks  
 (1)OVER-SIZED(O.S=0.25) PART  
 (2)REPAIR PART  
 (3)UNDER-SIZED(U.S=0.25) PART.  
 (4)UNDER-SIZED(U.S=0.5) PART.

Fig.8. LUB.OIL SYSTEM

Fig. 8 LUB. OIL SYSTEM

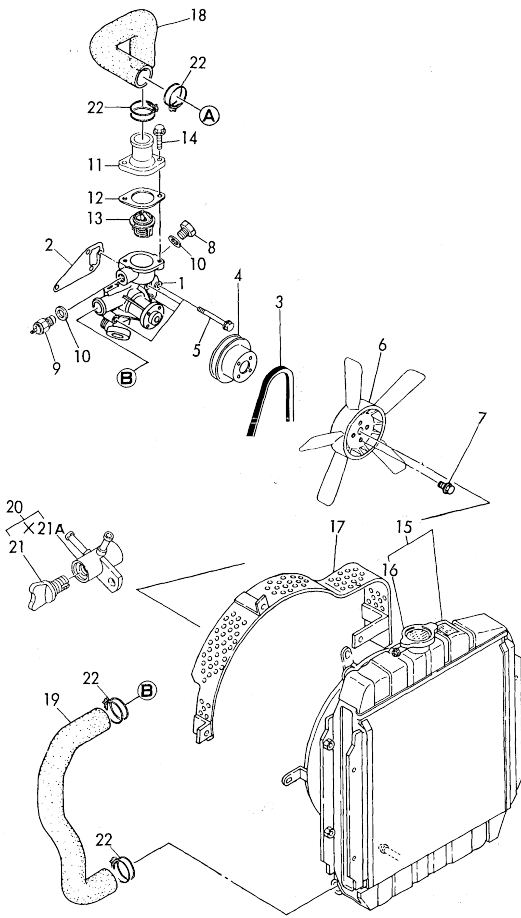


No.	Lev.	Parts No.	Description	Q'ty						I	R
				(A)	(B)	(C)	(D)	(E)	(F)		
1	1	119660-32001	PUMP ASSY, OIL	1							
2	1	119660-32020	GASKET, PUMP	1							
3	1	26450-060202	BOLT, M6X 20	3							
4	1	119631-34800	DIPSTICK, OIL	1							S
4-1	1	119689-34800	DIPSTICK, OIL	1							
(A=E/# 27172)											
5	1	121520-34810	GUIDE, DIPSTICK	1							
5-1	1	119260-34810	GUIDE, DIPSTICK	1							S
(A=E/# 27172)											
5A	1	119621-34810	GUIDE, DIPSTICK	1							W
(A=E/# 27172)											
5B	1	24311-240100	O-RING, 1AP10A	1							W
(A=E/# 27172)											
5C	1	26106-060102	BOLT, M6X 10 PLATED	1							W
(A=E/# 27172)											
6	1	119660-35102	BRACKET, FILTER	1							
7	1	119660-35112	GASKET	1							
7-1	1	119660-35113	GASKET	1							N
(A=E/# 37539)											
8	1	119660-35150	FILTER, LUB. OIL	1							
9	2	124450-35110	O-RING	1							
10	1	119660-35300	VALVE ASSY, CONTROL	1							
11	1	129150-35350	NUT	1							
12	1	24311-000160	O-RING, 1AP16.0	1							
13	1	26106-080202	BOLT, M8X 20 PLATED	3							
14	1	119600-35081	PIPE ASSY, OIL INLET	1							
15	1	24311-000120	O-RING, 1AP12.0	1							
16	1	26106-060102	BOLT, M6X 10 PLATED	2							
17	1	124160-39450	SWITCH, 0.5KG	1							

N:Old  $\frac{100}{100}$  New. Q:Old  $\frac{100}{100}$  New. R:Old  $\frac{100}{100}$  New. S:Old  $\frac{100}{100}$  New. W:Add. Z:Discontinued. F:Interchangeable by set. K:Q'ty Change  
 Copyright (C) YANMAR CO., LTD. All Rights Reserved.

Fig.9. COOLING WATER SYSTEM

Fig. 9 COOLING WATER SYSTEM

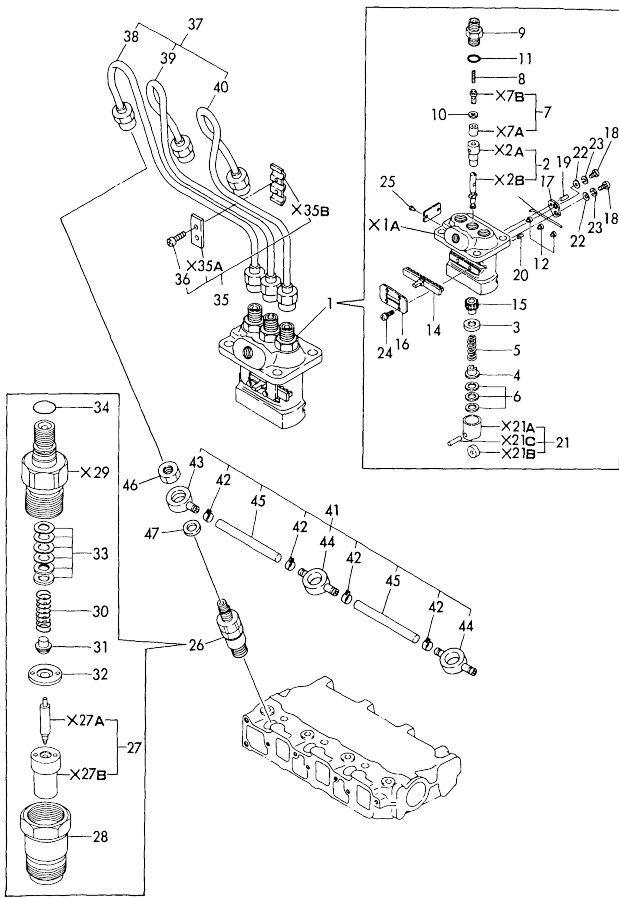


No.	Lev.	Parts No.	Description	Q'ty						I	R
				(A)	(B)	(C)	(D)	(E)	(F)		
1	1	119660-42003	PUMP ASSY, WATER	1							
1-1	1	119660-42004	PUMP ASSY, WATER	1							N
(A=E/# 37539)											
2	1	119620-42020	GASKET, WATER PUMP	1							
3	1	119656-42290	V-BELT, FM35.5	1							
4	1	119660-42350	V-PULLEY	1							
5	1	26106-080452	BOLT, M8X 45 PLATED	4							
6	1	124700-44740	FAN, COOLING 5X310	1							Z
(A=E/# 27172)											
7	1	26014-060162	BOLT, M6X 16	4							
8	1	121450-42450	PLUG, M16	1							
9	1	121250-44901	SWITCH, 110	1							
10	1	124465-44950	GASKET, 16	2							
11	1	129350-49530	COVER, THERMOSTAT	1							
12	1	129350-49540	GASKET	1							
12-1	1	129350-49541	GASKET	1							N
(A=E/# 37539)											
13	1	129350-49800	THERMOSTAT, 71	1							
14	1	26106-080202	BOLT, M8X 20 PLATED	2							
15	1	119600-44500	RADIATOR	1							
15-1	1	171460-44500	RADIATOR	1							S
(A=E/# 27172)											
16	2	123682-44210	CAP, RADIATOR	1							
17	1	171301-44560	PROTECTOR, FAN	1							Z
(A=E/# 27172)											
18	1	119688-49010	PIPE, WATER	1							Z
(A=E/# 27172)											
18-1	1	171420-49010	PIPE, WATER	1							W
(A=E/# 27172)											
19	1	119280-49020	PIPE, WATER	1							Z
(A=E/# 27172)											
19-1	1	171420-49020	PIPE, WATER	1							W
(A=E/# 27172)											
20	1	129150-49100	COCK ASSY, 3-WAY	1							
21	2	129150-49080	COCK, DRAIN	1							
22	1	23010-038000	CLAMP, 38	4							

N:Old  $\frac{New}{Old}$  New, Q:Old  $\frac{New}{Old}$  New, R:Old  $\frac{New}{Old}$  New, S:Old  $\frac{New}{Old}$  New, W:Add, Z:Discontinued, F:Interchangeable by set, K:Qty Change  
 Copyright (C) YANMAR CO., LTD. All Rights Reserved.

Fig.10. FUEL INJECTION PUMP

Fig. 10 FUEL INJECTION PUMP

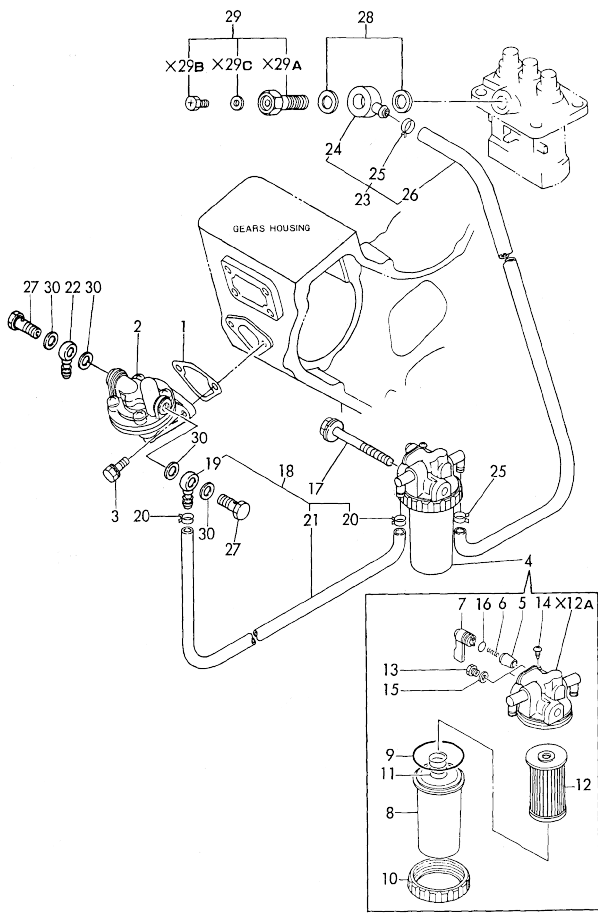


No.	Lev.	Parts No.	Description	Qty						I	R
				(A)	(B)	(C)	(D)	(E)	(F)		
1	1	719621-51100	PUMP ASSY, INJECTION	1							
1-1	1	719621-51700	PUMP ASSY, INJECTION	1							N
(A=FROM 1ST)											
2	2	119620-51101	PLUNGER ASSY	3							
3	2	119620-51170	RETAINER, SPRING A	3							
4	2	119620-51180	RETAINER, SPRING B	3							
5	2	119620-51190	SPRING, PLUNGER	3							
6	2	119620-51250	SHIM SET	3							
7	2	119620-51300	VALVE ASSY, DELIVERY	3							
8	2	105546-51330	SPRING, DELIVERY	3							
9	2	119620-51340	HOLDER, DELIVERY	3							
10	2	119620-51350	GASKET	3							
11	2	119620-51370	O-RING	3							
12	2	119620-51450	PIECE	3							
13	2	119620-51461	PIN	1							
14	2	119660-51500	RACK, CONTROL	1							
15	2	119620-51510	PINION	3							
16	2	119660-51530	RETAINER, RACK	1							
17	2	119620-51650	PLATE	2							
18	2	119620-51660	SCREW	2							
19	2	119620-51670	PIN	2							
20	2	119620-51680	PIN	1							
21	2	119620-51700	TAPPET ASSY	3							
22	2	22137-040000	WASHER, 4	2							
23	2	22217-040000	WASHER, SPRING 4	2							
24	2	26022-040082	SCREW, M4X 8	4							
25	2	26587-040102	SCREW, M4X10	2							
26	1	719620-53100	VALVE ASSY, INJECTION	3							
27	1	119620-53000	VALVE ASSY, INJECTION	3							
28	2	119620-53080	NUT, NOZZLE	3							
30	2	119620-53120	SPRING, NOZZLE	3							
31	2	114250-53130	SEAT, SPRING	3							
32	2	119620-53140	SPACER, VALVE STOP	3							
33	2	114250-53400	SHIM SET	3							
34	2	129155-61830	O-RING, S10	3							
35	1	129150-59120	RETAINER, PIPE	1							
36	2	129150-59130	BOLT, M4X12	2							
37	1	119620-59800	PIPE ASSY, INJECTION	1							
38	2	119620-59811	PIPE ASSY, INJECTION	1							
39	2	119620-59821	PIPE ASSY, INJECTION	1							
40	2	119620-59831	PIPE ASSY, INJECTION	1							
41	1	119620-59540	PIPE ASSY, FUEL	1							
42	2	124066-59100	CLIP, HOSE 8	4							
43	2	119260-59520	JOINT	1							
44	2	119260-59530	JOINT	2							
45	2	105025-59550	PIPE, FUEL RETURN	2							
46	1	119620-59700	NUT, NOZZLE	3							
47	1	23414-140000	GASKET, 14X1.0	3							

N:Old  $\frac{New}{Old}$  New, Q:Old  $\frac{New}{Old}$  New, R:Old  $\frac{New}{Old}$  New, S:Old  $\frac{New}{Old}$  New, W:Add, Z:Discontinued, F:Interchangeable by set, K:Qty Change  
 Copyright (C) YANMAR CO., LTD. All Rights Reserved.

Fig.11. FUEL LINE

Fig. 11 FUEL LINE



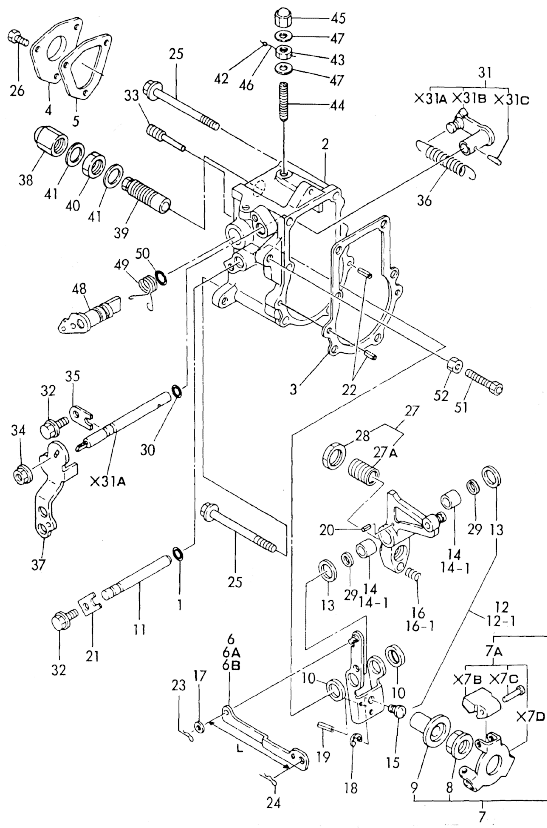
No.	Lev.	Parts No.	Description	Q'ty						I	R
				(A)	(B)	(C)	(D)	(E)	(F)		
1	1	121520-01850	GASKET	1							
1-1	1	121520-01851	GASKET	1							N
(A=E# 37539)											
2	1	119600-52021	PUMP ASSY, FUEL FEED	1							
3	1	26014-060202	BOLT, M6X 20	2							
4	1	171059-55600	FILTER ASSY, FUEL	1							
5	2	104200-55321	VALVE, TAPER	1							
6	2	104200-55330	SPRING, VALVE	1							
7	2	104200-55341	HANDLE	1							
8	2	121254-55510	COVER	1							
9	2	102103-55520	O-RING	1							
10	2	110250-55610	RING, RETAINING	1							
11	2	121250-55620	SPRING	1							
12	2	124550-55700	FILTER, FUEL L=90	1							
13	2	101720-55750	PLUG, 6	2							
14	2	104200-55750	SCREW, M4	1							
15	2	23418-060000	GASKET, 6X1.0	2							
16	2	24311-240100	O-RING, 1AP10A	1							
17	1	26014-080702	BOLT, M8X 70	1							
18	1	119260-59020	PIPE ASSY, D12XL400	1							
19	2	104264-59030	JOINT, PIPE 8	1							
20	2	124766-59050	CLIP, HOSE 12	2							
21	2	121236-59080	PIPE, FUEL D12X400	1							
22	1	104264-59030	JOINT, PIPE 8	1							
23	1	119225-59040	PIPE ASSY, FUEL	1							
24	2	101304-59020	JOINT, PIPE 12	1							
25	2	124766-59050	CLIP, HOSE 12	2							
26	2	121250-59080	PIPE, FUEL D12X180	1							
27	1	105582-59150	BOLT, PIPE JOINT	2							
28	1	104200-59170	GASKET, 12	2							
29	1	103854-59191	BOLT ASSY, JOINT M12	1							
30	1	23414-080012	GASKET, 8X1.0	4							

N:Old  $\frac{New}{Old}$  New, Q:Old  $\frac{New}{Old}$  New, R:Old  $\frac{New}{Old}$  New, S:Old  $\frac{New}{Old}$  New, W:Add, Z:Discontinued, F:Interchangeable by set, K:Qty Change  
 Copyright (C) YANMAR CO., LTD. All Rights Reserved.



Fig.12. GOVERNOR

Fig. 12 GOVERNOR



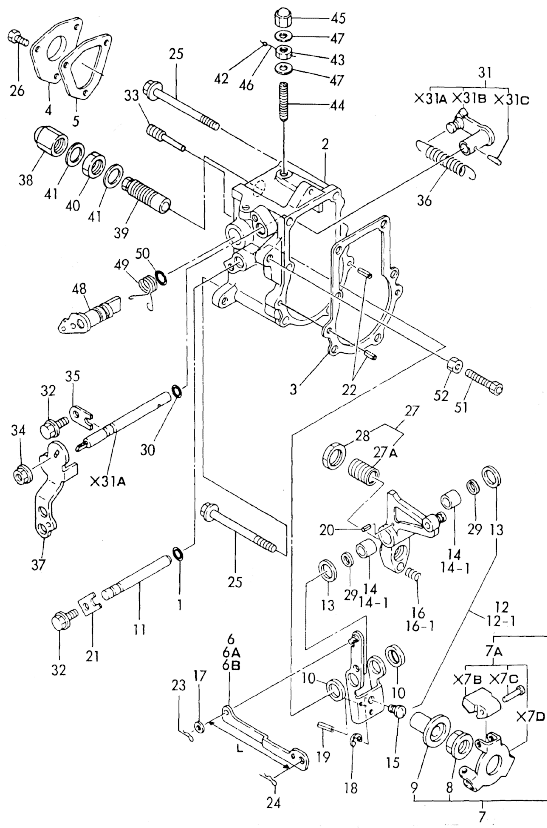
No.	Lev.	Parts No.	Description	Q'ty						I	R
				(A)	(B)	(C)	(D)	(E)	(F)		
1	1	129155-51280	O-RING, S6	1							
2	1	119660-61013	CASE, GOVERNOR	1							
3	1	119660-61051	GASKET	1							
3-1	1	119660-61052	GASKET	1							N
		(A=E# 37539)									
4	1	119660-61060	COVER, GOVERNOR CASE	1							
5	1	119660-61070	GASKET	1							
5-1	1	119660-61071	GASKET	1							N
		(A=E# 37539)									
6	1	119660-61121	LINK, NO MARK	1							1
6A	1	119660-61140	LINK, MARK :2	1							W 1
		(A=FROM 1ST)									
6B	1	119660-61150	LINK, MARK :3	1							W 1
		(A=FROM 1ST)									
7	1	119600-61100	DRIVE ASSY	1							W
		(A=EXXX)									
7A	2	119600-61200	WEIGHT ASSY,GOVERNOR	1							
8	2	119660-61300	NUT	1							
9	2	119660-61341	SLEEVE	1							
10	1	129155-61480	SPACER ASSY	2							
11	1	119660-61491	SHAFT	1							
12	1	119600-61500	LEVER ASSY, GOVERNOR	1							
12-1	1	119656-61500	LEVER ASSY, GOVERNOR	1							N
		(A=FROM 1ST)									
13	2	174307-51700	SHIM SET	2							
14	2	129155-61530	BUSH	2							
14-1	2	121450-61520	BEARING, NEEDLE 8	2							S
		(A=FROM 1ST)									
15	2	119600-61540	SHIFTER	1							
16	2	119600-61650	SPRING, STARTING	1							
16-1	2	119660-61651	SPRING, STARTING	1							S
		(A=FROM 1ST)									
17	2	22117-040000	WASHER, 4	2							
17-1	2	22117-040000	WASHER, 4	1							K
		(A=FROM 1ST)									
18	2	22272-000040	RING, E- 4	1							
19	2	22351-020004	PIN, SPRING 2.0X 4	1							
20	2	22351-030014	PIN, SPRING 3.0X14	1							
21	1	119660-61901	RETAINER, SHAFT	1							
22	1	22351-040010	PIN, SPRING 4.0X10	2							
23	1	22360-040000	PIN, SNAP 4	1							
24	1	22360-060000	PIN, SNAP 6	1							
25	1	26106-060702	BOLT, M6X 70 PLATED	6							
26	1	26116-050102	BOLT, M5X 10 PLATED	3							
27	1	119600-66720	ANGLEICH ASSY	1							
27A	2	129555-61800	SHIM SET	1							W
		(A=FROM 1ST)									
28	2	129155-61590	NUT, LOCK	1							
29	1	119660-61460	SHIM SET	1							
30	1	24341-000070	O-RING, 1AS7.0	1							
31	1	119621-66091	SHAFT ASSY	1							

N:Old \*<sup>100</sup>/<sub>100</sub>\* New. Q:Old \*<sup>100</sup>/<sub>100</sub>\* New. R:Old \*<sup>100</sup>/<sub>100</sub>\* New. S:Old \*<sup>100</sup>/<sub>100</sub>\* New. W:Add. Z:Discontinued. F:Interchangeable by set. K:Q'ty Change  
 ++ CONTINUE ++  
 Copyright (C) YANMAR CO., LTD. All Rights Reserved.

Remarks  
 (1) SELECTIVE PART :CERTAIN THE SIZE  
 . THEN PLACE YOUR ORDER.  
 (ILLUSTRATION)

Fig.12. GOVERNOR

Fig. 12 GOVERNOR

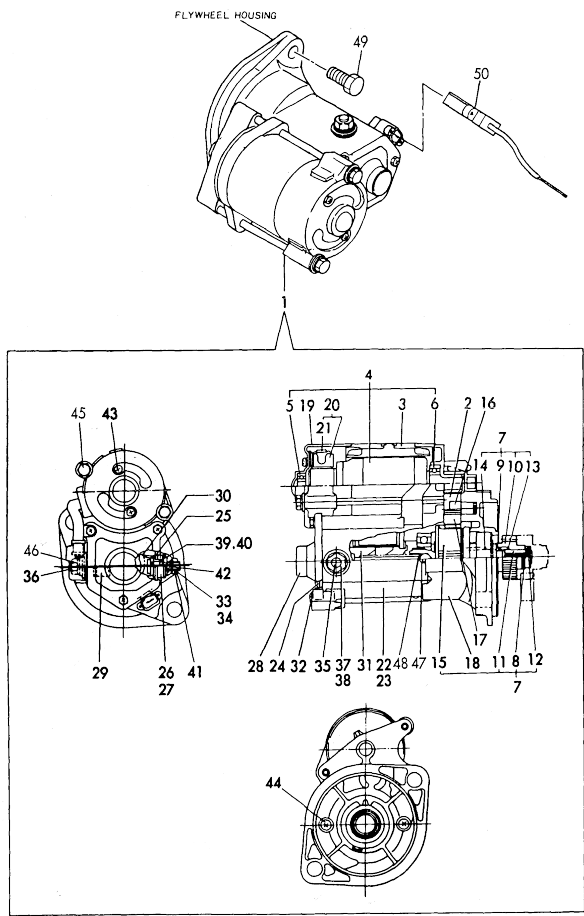


No.	Lev.	Parts No.	Description	Q'ty						I	R
				(A)	(B)	(C)	(D)	(E)	(F)		
32	1	26106-060102	BOLT, M6X 10 PLATED	2							
33	1	124250-03640	SCREW	1							
34	1	194990-22050	NUT, M8	1							
35	1	119600-61900	RETAINER, SHAFT	1							
36	1	119600-66020	SPRING, REGULATOR	1							
37	1	119621-66051	LEVER, REGULATOR	1							
38	1	129100-61930	NUT, CAP	1							
39	1	119600-66530	LIMITER ASSY, FUEL	1							
40	1	124772-66750	NUT, LOCK M12	1							
41	1	43400-500450	SEAL WASHER 12	2							
42	1	135210-61090	LEAD	1							
43	1	124550-66370	NUT, M6	1							
44	1	121575-66830	SCREW	1							
45	1	119600-66840	NUT, CAP	1							
46	1	22451-060000	WIRE, 0.6	1							
47	1	43400-500400	SEAL WASHER 6	2							
48	1	119600-66521	HANDLE, STOP	1							
49	1	119600-66681	SPRING, RETURN	1							
50	1	24311-240100	O-RING, 1AP10A	1							
51	1	26116-060304	BOLT, M6X 30 PLATED	1							
52	1	26756-060002	NUT, LOCK M6	1							

Remarks  
 (1) SELECTIVE PART :CERTAIN THE SIZE  
 . THEN PLACE YOUR ORDER.  
 (ILLUSTRATION)

Fig.13. STARTING MOTOR

Fig. 13 STARTING MOTOR



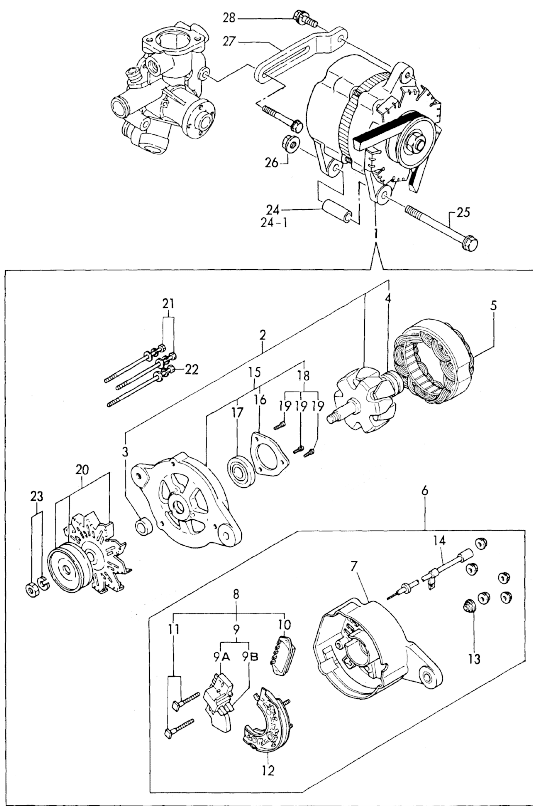
No.	Lev.	Parts No.	Description	Qty						I	R
				(A)	(B)	(C)	(D)	(E)	(F)		
1	1	119620-77011	STARTER	1							
2	2	X0280630011	RETAINER	1							
3	2	X0281003751	YOKE ASSY	1							
4	2	X0282001531	ARMATURE ASSY	1							
5	3	X9491001360	BEARING	1							
6	3	X9491001860	BALL BEARING	1							
7	2	X0283005050	CLUTCH, STARTER	1							
8	3	X0280210230	NUT	1							
9	3	X0283270140	RETAINER	1							
10	3	X0283715030	PINION, STARTER	1							
11	3	X0283810040	SHAFT	1							
12	3	X9490721080	RING	1							
13	3	X9491703371	SPRING, COIL	1							
14	3	X9491704260	SPRING	1							
15	3	121120-77930	CASE ASSY, STARTER	1							
16	2	X0283060061	ROLLER	5							
17	2	X0283711420	PINION	1							
18	2	X0284004910	HOUSING, STARTER	1							
19	2	X0285040631	FRAME ASSY	1							
20	2	X0285100460	HOLDER ASSY, BRUSH	1							
21	3	X9491730461	SPRING	4							
22	2	X0534006460	SWITCH, MAGNETIC	1							
23	3	X0534040320	GASKET	1							
24	3	X0534490120	BUSH	1							
25	3	X0534490120	BUSH	1							
26	3	X0534490230	BUSH	1							
27	3	X0534490230	BUSH	1							
28	3	X0535050620	COVER	1							
29	3	X0535130241	PLATE (B)	1							
30	3	X0535130320	PLATE (A)	1							
31	3	X0536600401	PLUNGER	1							
32	3	X9151005141	BOLT W/WASHER	3							
33	3	X9490170900	WASHER	1							
34	3	X9490170900	WASHER	1							
35	3	X9490441303	BOLT	1							
36	3	X9490441312	BOLT	1							
37	3	X9490502820	NUT	1							
38	3	X9490502820	NUT	1							
39	3	X9491402100	O-RING	1							
40	3	X9491402100	O-RING	1							
41	2	X9019008651	NUT	1							
42	2	X9025808001	WASHER	1							
43	2	X9490071810	SCREW W/WASHER	2							
44	2	X9490071970	SCREW W/WASHER	2							
45	2	X9490423330	BOLT W/WASHER	2							
46	2	X9490561370	NUT	1							
47	2	X9491200240	BALL	1							
48	2	X9491703380	SPRING	1							
49	1	26116-120252	BOLT, M12X 25 PLATED	2							
50	1	119643-77900	CONNECTOR, STARTER	1							W

(A)=FROM IST)

N:Old  $\frac{100}{100}$  New, Q:Old  $\frac{100}{100}$  New, R:Old  $\frac{100}{100}$  New, S:Old  $\frac{100}{100}$  New, W:Add, Z:Discontinued, F:Interchangeable by set, K:Qty Change  
Copyright (C) YANMAR CO., LTD. All Rights Reserved.

Fig.14. GENERATOR

Fig. 14 GENERATOR (COMPONENT PARTS)



No.	Lev.	Parts No.	Description	Q'ty						I	R
				(A)	(B)	(C)	(D)	(E)	(F)		
1	1	124080-77201	GENERATOR, LR135-91	1							
2	2	124080-77300	ROTOR ASSY	1							
3	3	124080-77310	SPACER	1							
4	3	124080-77490	BALL BEARING	1							
5	2	124080-77320	STATOR ASSY	1							
6	2	124080-77330	COVER ASSY	1							
7	3	124080-77340	COVER, REAR	1							
8	3	124080-77350	BRUSH ASSY,REGULATOR	1							
9	4	124080-77360	BRUSH ASSY	1							1
9A	4	124080-77370	HOLDER, BRUSH	1							W
(A=FROM 1ST)											
9B	4	124080-77380	BRUSH	2							W
(A=FROM 1ST)											
10	4	124080-77390	REGULATOR ASSY	1							
11	4	124080-77520	BOLT M5	2							
12	3	124080-77400	DIODE ASSY	1							
13	4	124080-77410	BUSH	1							
14	3	124080-77530	WIRE ASSY, LEAD	1							
15	2	124080-77420	COVER ASSY	1							
16	3	124080-77430	RETAINER, BEARING	1							
17	3	124080-77480	BEARING, 6202DDU	1							
18	3	124080-77500	SCREW KIT	1							
19	4	124080-77510	SCREW 4X12	3							
20	2	124080-77440	PULLEY ASSY	1							
21	2	124080-77450	BOLT, THROUGH	2							
22	2	124080-77460	BOLT, THROUGH	1							
23	2	124080-77470	NUT ASSY, PULLEY	1							
24	1	129150-77340	SPACER	1							
24-1	1	119688-77340	SPACER	1							N
(A=FROM 1ST)											
25	1	26106-081202	BOLT, M8X120 PLATED	1							
26	1	26366-080002	NUT, M8	1							
27	1	119660-77330	ADJUSTER	1							
28	1	26014-080252	BOLT, M8X 25	1							

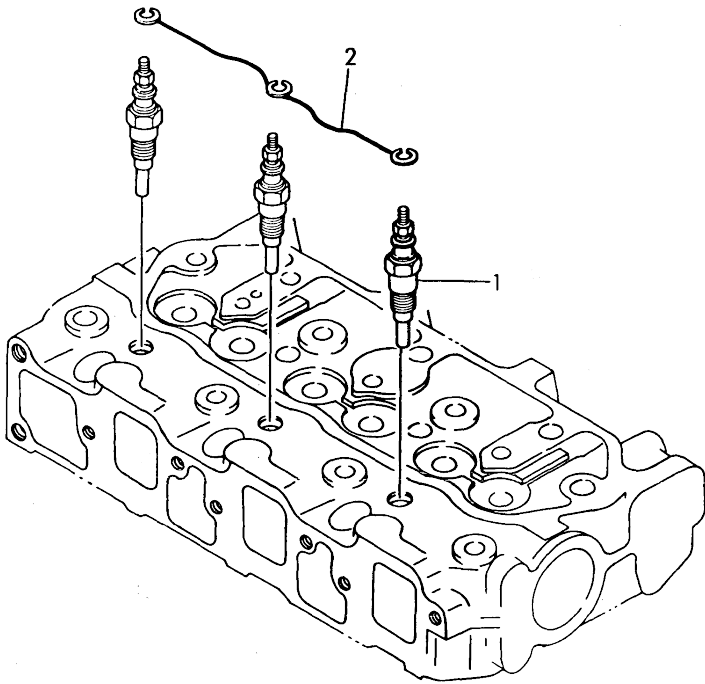
Remarks

(1) REF.NO.9(BRUSH ASSY, P/# 124080-77360) INCLUDES REF.NO.9A(BRUSH HOLDER, P/# 124080-77370) & REF. NO.9B(BRUSH, P/# 124080-77380).

0CV10-M35602

Fig.15. ELECTRIC PART

Fig. **15** ELECTRIC PART



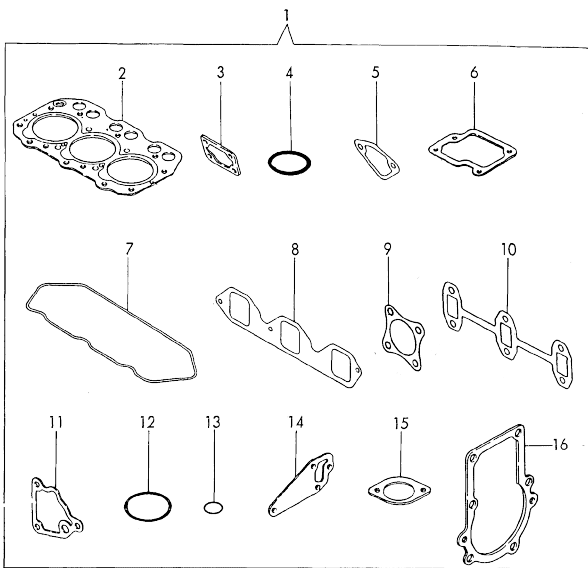
(A)=3TNA72E-UAS  
(B)=  
(C)=

(D)=  
(E)=  
(F)=

No.	Lev.	Parts No.	Description	Q'ty					
				(A)	(B)	(C)	(D)	(E)	(F)
1	1	129795-77800	PLUG, GLOW	3					
2	1	119620-77820	CONNECTOR, GLOW PLUG	1					

Fig.16. GASKET SET & TOOL(OPTIONAL)

Fig.16 GASKET SET & TOOL



No.	Lev.	Parts No.	Description	Q'ty						I	R	
				(A)	(B)	(C)	(D)	(E)	(F)			
1	1	719685-92600	GASKET SET	1							1	
1-1	1	719685-92601	GASKET SET	1							N	1
(A=E/# 37539)												
2	2	119610-01340	GASKET, HEAD	1								
3	2	119660-01561	GASKET	1								
3-1	2	119660-01562	GASKET	1							N	
(A=E/# 37539)												
4	2	24311-000320	O-RING, 1AP32.0	2								
5	2	121520-01850	GASKET	1								
5-1	2	121520-01851	GASKET	1							N	
(A=E/# 37539)												
6	2	119620-03030	GASKET	1								
6-1	2	119620-03031	GASKET	1							N	
(A=E/# 37539)												
7	2	119620-11310	GASKET, BONNET	1								
8	2	119660-12111	GASKET, MANIFOLD	1								
9	2	121000-13200	GASKET, SILENCER	2								
10	2	119620-13110	GASKET	1								
11	2	119660-35112	GASKET	1								
11-1	2	119660-35113	GASKET	1							N	
(A=E/# 37539)												
12	2	124450-35110	O-RING	1								
13	2	24311-000160	O-RING, 1AP16.0	1								
14	2	119620-42020	GASKET, WATER PUMP	1								
15	2	129350-49540	GASKET	1								
15-1	2	129350-49541	GASKET	1							N	
(A=E/# 37539)												
16	2	119660-61051	GASKET	1								
16-1	2	119660-61052	GASKET	1							N	
(A=E/# 37539)												
17	1	129400-92410	FLEX HORN	1								1

Remarks  
(1) OPTIONAL PART.

## Parts No. Index

Parts No.	Fig. No.	Ref. No.
101158-11190	4	10
101304-59020	11	24
101720-55750	11	13
102103-55520	11	9
103854-59191	11	29
104200-55321	11	5
104200-55330	11	6
104200-55341	11	7
104200-55750	11	14
104200-59170	11	28
104211-11370	4	13
104264-59030	11	19
		22
105010-11230	4	24
		27
105025-59550	10	45
105225-23200	7	18
105546-51330	10	8
105582-59150	11	27
110250-55610	11	10
114250-53130	10	31
114250-53400	10	33
119225-59040	11	23
119260-07900	4	18
119260-34810	8	5 -1
119260-59020	11	18
119260-59520	10	43
119260-59530	10	44
119280-49020	9	19
119600-01050	1	2
119600-01600	3	12
119600-01722	3	4
119600-11450	4	16
119600-11460	4	17
119600-13100	5	1
119600-21580	7	9
119600-35081	8	14
119600-44500	9	15
119600-52021	11	2
119600-61100	12	7
119600-61200	12	7 A
119600-61500	12	12
119600-61540	12	15
119600-61650	12	16
119600-61900	12	35
119600-66020	12	36
119600-66521	12	48
119600-66530	12	39
119600-66681	12	49
119600-66720	12	27

Parts No.	Fig. No.	Ref. No.
119600-66840	12	45
119610-01340	1	14
	16	2
119610-01490	2	1
119610-01590	2	5
119620-01200	1	13
119620-01620	3	7
119620-01750	3	14
119620-01800	2	6
119620-01950	2	8
119620-02020	1	7
119620-02410	1	10
119620-02450	1	11
	6	3 A
119620-03020	4	41
119620-03030	4	42
	16	6
119620-03031	4	42 -1
	16	6 -1
119620-11100	4	6
119620-11110	4	7
119620-11120	4	8
119620-11180	4	9
119620-11200	4	21
119620-11240	4	22
119620-11260	4	29
119620-11280	4	30
119620-11310	4	38
	16	7
119620-11330	4	37 -2
119620-11350	4	33
119620-11801	4	15
119620-13110	5	2
	16	10
119620-14010	6	1 A
119620-14100	6	2
119620-14200	6	4
119620-14400	6	5
119620-21941	7	7
119620-22090	7	11
119620-22300	7	13
119620-22900	7	15 -1
119620-22920	7	22
119620-22950	7	16 -1
119620-22970	7	23
119620-23910	7	20
119620-25102	6	15
119620-25912	6	16
119620-42020	9	2
	16	14

Parts No.	Fig. No.	Ref. No.
119620-51101	10	2
119620-51170	10	3
119620-51180	10	4
119620-51190	10	5
119620-51250	10	6
119620-51300	10	7
119620-51340	10	9
119620-51350	10	10
119620-51370	10	11
119620-51450	10	12
119620-51461	10	13
119620-51510	10	15
119620-51650	10	17
119620-51660	10	18
119620-51670	10	19
119620-51680	10	20
119620-51700	10	21
119620-53000	10	27
119620-53080	10	28
119620-53120	10	30
119620-53140	10	32
119620-59540	10	41
119620-59700	10	46
119620-59800	10	37
119620-59811	10	38
119620-59821	10	39
119620-59831	10	40
119620-77011	13	1
119620-77820	15	2
119621-12100	5	9
119621-21680	7	6
119621-34810	8	5 A
119621-66051	12	37
119621-66091	12	31
119629-14580	6	1
119631-34800	8	4
119641-01770	3	1 -1
119643-77900	13	50
119656-42290	9	3
119656-61500	12	12 -1
119660-01510	2	2
119660-01551	2	16
119660-01561	2	17
	16	3
119660-01562	2	17 -1
	16	3 -1
119660-01570	2	18
119660-01640	3	8
119660-01651	3	8 A
119660-01821	6	6

Parts No.	Fig. No.	Ref. No.
119660-01911	2	7
119660-12111	5	10
	16	8
119660-14092	6	7 A
119660-21201	7	2
119660-21651	7	5
119660-25022	6	13
119660-25052	6	14
119660-25902	6	9
119660-32001	8	1
119660-32020	8	2
119660-35102	8	6
119660-35112	8	7
	16	11
119660-35113	8	7 -1
	16	11 -1
119660-35150	8	8
119660-35300	8	10
119660-42003	9	1
119660-42004	9	1 -1
119660-42350	9	4
119660-51500	10	14
119660-51530	10	16
119660-61013	12	2
119660-61051	12	3
	16	16
119660-61052	12	3 -1
	16	16 -1
119660-61060	12	4
119660-61070	12	5
119660-61071	12	5 -1
119660-61121	12	6
119660-61140	12	6 A
119660-61150	12	6 B
119660-61300	12	8
119660-61341	12	9
119660-61460	12	29
119660-61491	12	11
119660-61651	12	16 -1
119660-61901	12	21
119660-77330	14	27
119688-49010	9	18
119688-77340	14	24 -1
119689-34800	8	4 -1
119865-21600	7	10
121000-13200	5	8
	16	9
121023-01550	2	22
121111-21501	7	8
121120-01620	3	13

## Parts No. Index

Parts No.	Fig. No.	Ref. No.	Parts No.	Fig. No.	Ref. No.	Parts No.	Fig. No.	Ref. No.	Parts No.	Fig. No.	Ref. No.
121120-77930	13	15	124160-11360	4	36	22217-040000	10	23	26106-060122	6	18
121236-59080	11	21	124160-39450	8	17	22217-050000	4	43	26106-060162	2	11
121250-44901	9	9	124250-03640	12	33	22242-000120	4	31		5	11
121250-55620	11	11	124450-35110	8	9	22242-000200	6	17		6	11
121250-59080	11	26		16	12	22252-000210	7	14	26106-060182	2	24
121254-55510	11	8	124465-44950	9	10	22272-000040	12	18	26106-060222	3	10
121420-01760	2	20	124550-55700	11	12	22351-020004	12	19	26106-060302	2	12
	4	50	124550-66370	12	43	22351-030014	12	20	26106-060452	3	6
121450-01560	2	3	124700-44740	9	6	22351-040010	2	4		5	12
121450-42450	9	8	124766-59050	11	20		12	22	26106-060602	2	13
121450-61520	12	14 -1		25		22351-060012	4	2		14	
121520-01850	11	1	124772-66750	12	40	22360-040000	12	23	26106-060702	12	25
	16	5	124950-11340	4	11	22360-060000	12	24	26106-060802	2	15
121520-01851	11	1 -1	129100-01580	3	11	22451-060000	12	46	26106-080142	4	19
	16	5 -1		7	4	22512-040120	6	3		20	
								8	26106-080202	8	13
121520-34810	8	5	129100-61930	12	38		7	3		9	14
121550-49111	1	15	129150-35350	8	11	23010-038000	9	22	26106-080402	5	5
121575-66830	12	44	129150-49080	9	21	23065-120500	4	47	26106-080452	4	34
121850-11860	4	3	129150-49100	9	20	23414-080012	11	30		9	5
123682-44210	9	16	129150-59120	10	35	23414-140000	10	47	26106-081202	14	25
124066-59100	10	42	129150-59130	10	36	23418-060000	11	15	26116-050102	12	26
124080-77201	14	1	129150-77340	14	24	23871-010000	1	3	26116-060304	12	51
124080-77300	14	2	129155-51280	12	1	23887-120002	3	2	26116-120252	13	49
124080-77310	14	3	129155-61480	12	10	24101-062034	6	19	26206-100252	3	15
124080-77320	14	5	129155-61530	12	14	24102-063034	6	10	26216-080222	5	6
124080-77330	14	6	129155-61590	12	28	24311-000120	2	10	26216-080552	5	7
124080-77340	14	7	129155-61830	10	34		4	48	26366-060002	2	21
124080-77350	14	8	129350-49530	9	11		8	15	26366-080002	4	35
124080-77360	14	9	129350-49540	9	12	24311-000160	8	12		14	26
124080-77370	14	9 A		16	15		16	13	26450-060202	8	3
124080-77380	14	9 B	129350-49541	9	12 -1	24311-000320	2	20 -1	26557-050102	4	44
124080-77390	14	10		16	15 -1		4	46 -1	26587-040102	10	25
124080-77400	14	12	129350-49800	9	13		16	4	26587-080102	6	12
124080-77410	14	13	129400-92410	16	17	24311-240100	8	5 B	26756-060002	4	25
124080-77420	14	15	129555-61800	12	27 A		11	16		28	
124080-77430	14	16	129795-77800	15	1		12	50		12	52
124080-77440	14	20	135210-61090	12	42	24341-000070	12	30	26979-050162	4	32
124080-77450	14	21	171059-55600	11	4	24341-000240	2	23 -1	27221-050080	4	4
124080-77460	14	22	171301-44560	9	17	24341-000260	2	23	27231-450000	1	4
124080-77470	14	23	171420-49010	9	18 -1	26014-060162	9	7	27241-120000	1	5
124080-77480	14	17	171420-49020	9	19 -1	26014-060202	11	3	27241-300000	1	6
124080-77490	14	4	171460-44500	9	15 -1	26014-080252	14	28	27241-400000	4	5
124080-77500	14	18	174307-51700	12	13	26014-080702	11	17	27310-070001	4	10 -1
124080-77510	14	19	194990-22050	2	9	26022-040082	10	24	27310-070001	4	10 -1
124080-77520	14	11		5	3	26106-060102	8	5 C	43400-500400	12	47
124080-77530	14	14			4			16	43400-500450	3	3
124085-02220	3	9		12	34			32		12	41
124160-01751	2	19	22117-040000	12	17	26106-060122	1	12	719610-01560	1	1
	4	49			17 -1			5	719620-02800	1	8
124160-11340	4	12	22137-040000	10	22				719620-02870	1	16



## Parts No. Index

Parts No.	Fig. No.	Ref. No.
719620-02930	1	9
719620-11520	4	37
719620-11521	4	37 -1
719620-11650	4	23
719620-11660	4	26
719620-22500	7	12 -1
719620-22501	7	12
719620-22540	7	16
719620-22820	7	15
719620-23100	7	17
719620-23600	7	24
719620-23610	7	21
719620-53100	10	26
719621-51100	10	1
719621-51700	10	1 -1
719641-01540	3	1
719660-11700	4	1
719660-14590	6	7
719660-21700	7	1 -1
719660-21701	7	1
719685-92600	16	1
719685-92601	16	1 -1
X0280210230	13	8
X0280630011	13	2
X0281003751	13	3
X0282001531	13	4
X0283005050	13	7
X0283060061	13	16
X0283270140	13	9
X0283711420	13	17
X0283715030	13	10
X0283810040	13	11
X0284004910	13	18
X0285040631	13	19
X0285100460	13	20
X0534006460	13	22
X0534040320	13	23
X0534490120	13	24
		25
X0534490230	13	26
		27
X0535050620	13	28
X0535130241	13	29
X0535130320	13	30
X0536600401	13	31
X9019008651	13	41
X9025808001	13	42
X9151005141	13	32
X9490071810	13	43
X9490071970	13	44

Parts No.	Fig. No.	Ref. No.
X9490170900	13	33
		34
X9490423330	13	45
X9490441303	13	35
X9490441312	13	36
X9490502820	13	37
		38
X9490561370	13	46
X9490721080	13	12
X9491001360	13	5
X9491001860	13	6
X9491200240	13	47
X9491402100	13	39
		40
X9491703371	13	13
X9491703380	13	48
X9491704260	13	14
X9491730461	13	21

Parts No.	Fig. No.	Ref. No.
-----------	----------	----------

Parts No.	Fig. No.	Ref. No.
-----------	----------	----------