

0CV10-M12101EN

# P R E F A C E

1. This Parts Catalog carries all parts incorporated in YANMAR Model 3TNA72E-NC engine manufactured since August, 1991.
2. Each illustration corresponds to the parts list on the following page.
3. When ordering parts, clearly write down the engine model and serial number, as well as the name and number of each part in your order sheet. This will help insure reliable delivery of the parts you have ordered.
4. Pub. No. OOOYOOV1210      First Published : July, 1991.  
Pub. No. OOOYOOV1211      First Revised : March, 1992.

## Directions for the Parts Catalog.

1. This Parts Catalog shows both standard and optional parts.
2. Parts may change without prior notice.
3. The following is an example of the Parts Catalog format.

OCF10-G21601 29. FUEL INJECTION PUMP(W/BOOST)

REF.	LEV.	PARTS NO.	DESCRIPTION	Q'TY						I	R
				(A)	(B)	(C)	(D)	(E)	(F)		
1	1	729595-51390	FUEL INJECTION PUMP	1	1	1	1	1			1
1-1	1	729595-51391	FUEL INJECTION PUMP	1	1	1	1	1		N	1
		(A=E00185) (B=E00200)									
3	2	26022-060162	SCREW M 6X 16	9	9	9	9	9			
3-1	2	26022-060162	SCREW M 6X 16	4	4	4	4	4		K	
		(A=E00156) (B=E00156) (C=E00156) (D=E00156) (E=E00156)									
4	2	129470-51040	CAMSHAFT	1	1	1	1	1			
5	2	122710-51050	BEARING, ROLLER	2	2	2	2	2			
6	2	129470-51060	RETAINER	1	1	1	1	1			

Remarks

(1) BOOST COMPEMSATOR TYPE. OPTIONAL PART, TO E00155,(4JH-DT, 4JH-DTZ

### ① Ref. No.

The Ref. No. listed may not be in accordance with the illustration Ref. No.

(Ex.) Illustration No.

List Ref No.

1 1 (Before change) → 1-1 (After change)

For interchangeable symbols N, R and K, illustrations for new parts may be abbreviated.

### ② Lev. (Level)

Level indication

The numbers below indicate the level of relativity towards the main part.

1 ---- Main parts (Assembly parts)

2 ---- Sub component included in " 1 ".

3 ---- Sub component included in " 2 ".

Note) Parts that are not for sale are partially illustrated but not listed.

### ③ Interchangeability Symbol

When a part change takes place, one of the following interchangeability symbols is indicated beside the part.

Symbol	Interchangeability	Contents note
N	Old $\begin{matrix} \leftarrow \text{Yes} \\ \text{No} \rightarrow \end{matrix}$ New	New Part is interchangeable for Old Part but Old Part is not interchangeable for New Part.
Q	Old $\begin{matrix} \leftarrow \text{No} \\ \text{Yes} \rightarrow \end{matrix}$ New	New Part is not interchangeable for Old Part but Old Part is interchangeable for New Part.
R	Old $\begin{matrix} \leftarrow \text{Yes} \\ \text{Yes} \rightarrow \end{matrix}$ New	New/ Old Parts are both interchangeable.
S	Old $\begin{matrix} \leftarrow \text{No} \\ \text{No} \rightarrow \end{matrix}$ New	New/ Old Parts are both not interchangeable.
W		Part newly added.
Z		Part discontinued.
F		Not interchangeable by a single part but interchangeable together with related parts.
K		Changes only for used parts quantities.

### ④ Effective Machine No.

When a part changes, the effective Machine No. will be indicated in the (A)-(F) column.

Product Symbol	Product No.	Product Symbol	Product No.
C	Clutch No. Compressor No.	F	Machine No. (Agricultural Equip.)
D	Drive No.	M	Machine No.
E	Engine No.		

Note 1) A date may follow the symbol. (Ex.) 1996.01

Note 2) "XXXXX" and "ZZZZZ" are for parts that could not be predicted or for engine models that could not be identified.

Note 3) (A=E00185) is the E (Engine Serial Number) for the column (A) model (in this case 4JH-DT) after the parts design change.

### ⑤ Remarks

Figures or alphabets (symbols) are entered in the remarks column.

The comments (remarks) on parts that are indicated at the bottom of the illustration are the same symbols as those stated above.

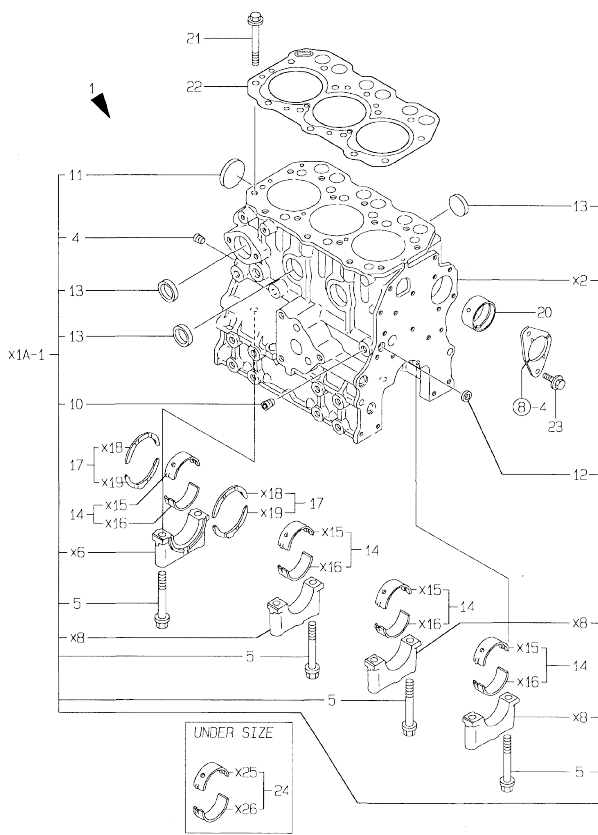
## Contents

Fig. No.	Fig. Name	Fig. No.	Fig. Name
3TNA72E-NC			
1.	CYLINDER BLOCK		
2.	GEAR HOUSING		
3.	MOUNTING FLANGE & OIL SUMP		
4.	BONNET		
5.	CYLINDER HEAD		
6.	SUCTION MANIFOLD & AIR CLEANER		
7.	EXHAUST MANIFOLD		
8.	CAMSHAFT & DRIVING GEAR		
9.	CRANKSHAFT & PISTON		
10.	LUB. OIL SYSTEM		
11.	COOLING WATER PUMP		
12.	FUEL INJECTION PUMP		
13.	GOVERNOR		
14.	FUEL INJECTION VALVE		
15.	FUEL LINE		
16.	STARTING MOTOR		
17.	GENERATOR		
18.	GASKET SET(OPTIONAL)		

OCV10-M12101

Fig.1. CYLINDER BLOCK

1. CYLINDER BLOCK



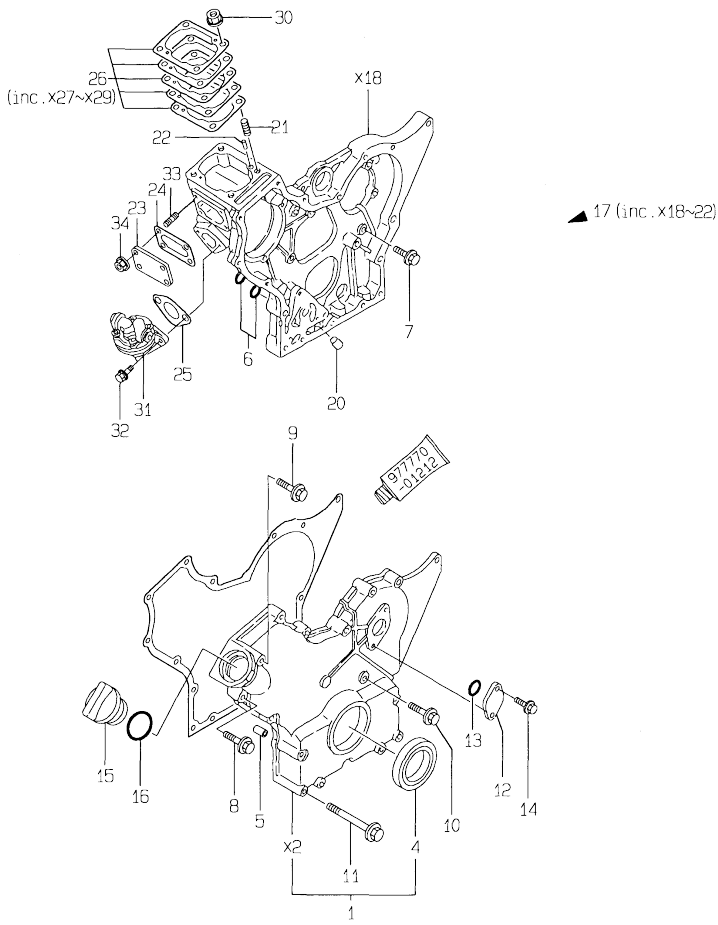
No.	Lev.	Parts No.	Description	Q'ty						I	R
				(A)	(B)	(C)	(D)	(E)	(F)		
1	1	719610-01560	BLOCK ASSY, CYLINDER	1							W
		(A=FROM 1ST)									
1A	2	119610-01000	BLOCK ASSY, CYLINDER	1							M
4	3	119600-01050	PLUG, PT1/4	1							
5	3	119620-02020	BOLT, METAL CAP	8							
10	3	23871-010000	PLUG, R01	1							
11	3	27231-450000	PLUG 45	1							
12	3	27241-120000	PLUG, 12	1							
13	3	27241-300000	PLUG 30	6							
14	2	719620-02800	BEARING, MAIN	4							
17	2	719620-02930	BEARING, THRUST	2							
20	2	119620-02410	BUSH, CAMSHAFT	1							
21	1	119620-01200	BOLT, HEAD	14							
22	1	119610-01340	GASKET, HEAD	1							
23	1	26106-060122	BOLT, M6X 12 PLATED	2							
24	1	719620-02870	BEARING, 0.25 US	4							1

Remarks  
 (1) UNDER-SIZE (U.S=0.25) PART.  
 (M) MISPRINT.  
 (2) NOT SOLD SEPARATELY.

N:Old  $\frac{100}{100}$  New, Q:Old  $\frac{100}{100}$  New, R:Old  $\frac{100}{100}$  New, S:Old  $\frac{100}{100}$  New, W:Add, Z:Discontinued, F:Interchangeable by set, K:Qty Change  
 Copyright (C) YANMAR CO., LTD. All Rights Reserved.

Fig.2. GEAR HOUSING

2. GEAR HOUSING



(A)=3TNA72E-NC  
(B)=  
(C)=

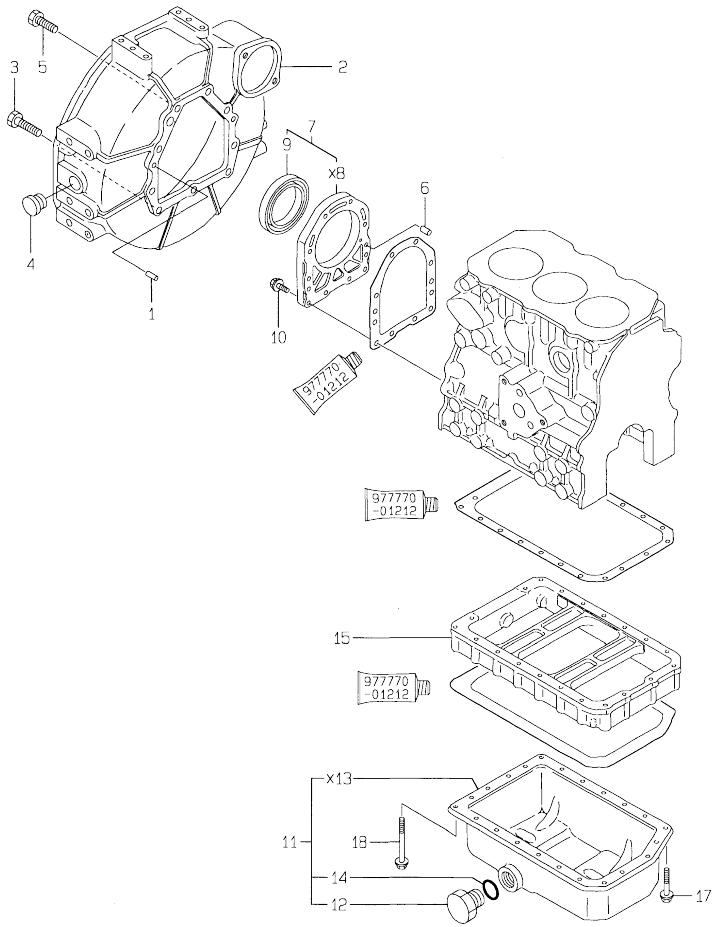
(D)=  
(E)=  
(F)=

No.	Lev.	Parts No.	Description	Q'ty						I	R
				(A)	(B)	(C)	(D)	(E)	(F)		
1	1	119610-01590	COVER ASSY,GEAR CASE	1							
4	2	119620-01800	SEAL, OIL	1							
5	1	119660-01911	PIPE, KNOCK	4							
6	1	24311-000120	O-RING, 1AP12.0	2							
7	1	26106-060162	BOLT, M6X 16 PLATED	7							
8	1	26106-060302	BOLT, M6X 30 PLATED	8							
9	1	26106-060602	BOLT, M6X 60 PLATED	1							
10	1	26106-060602	BOLT, M6X 60 PLATED	3							
11	1	26106-060802	BOLT, M6X 80 PLATED	6							
12	1	121023-01550	COVER	1							
13	1	24341-000240	O-RING, 1AS24.0	1							
14	1	26106-060182	BOLT, M6X 18 PLATED	2							
15	1	124160-01751	COVER, FILLER	1							
16	1	24311-000320	O-RING, 1AP32.0	1							
17	1	119610-01490	CASE ASSY, GEAR	1							
20	2	119660-01510	PLUG, 10X14	1							
21	2	121450-01560	STUD, M8X22	4							
22	2	22351-040010	PIN, SPRING 4.0X10	2							
23	1	119660-01551	COVER	1							
24	1	119660-01562	GASKET	1							
25	1	121520-01851	GASKET	1							
26	1	119620-01950	SHIM SET, ADJUSTING	1							
30	1	194990-22050	NUT, M8	4							
31	1	119600-52021	PUMP ASSY, FUEL FEED	1							
32	1	26014-060202	BOLT, M6X 20	2							
33	1	26216-060162	STUD, M6X 16	4							
34	1	26366-060002	NUT, M6	4							

OCV10-M12101

Fig.3. MOUNTING FLANGE & OIL SUMP

3.MOUNTING FLANGE & OIL SUMP

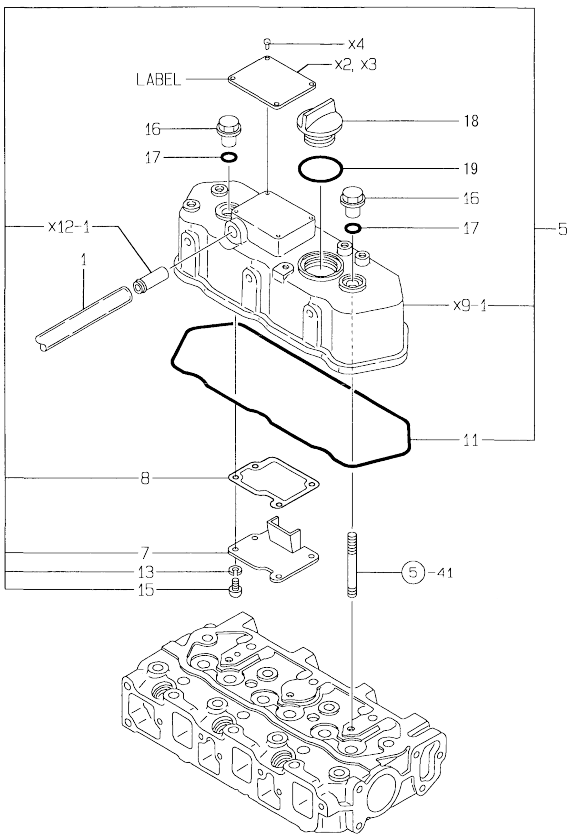


No.	Lev.	Parts No.	Description	Q'ty						I	R
				(A)	(B)	(C)	(D)	(E)	(F)		
1	1	129100-01580	PIN, M8X16		2						
2	1	119600-01600	HOUSING, FLYWHEEL		1						
3	1	121120-01620	BOLT, M10X28		3						
4	1	119620-01750	CAP		1						
5	1	26206-100252	BOLT, M10X 25 PLATED		6						
6	1	119620-01620	PIN, M6X10		2						
7	1	119660-01640	CASE ASSY, OIL SEAL		1						
9	2	124085-02220	SEAL, OIL		1						
10	1	26106-060222	BOLT, M6X 22 PLATED		10						
11	1	719631-01540	SUMP ASSY, OIL		1						
12	2	171301-01640	PLUG, 22		1						
14	2	24341-000240	O-RING, 1AS24.0		1						
15	1	119600-01722	SPACER, OIL SUMP		1						
17	1	26106-060122	BOLT, M6X 12 PLATED		3						
18	1	26106-060452	BOLT, M6X 45 PLATED		20						

N:Old  $\frac{100}{100}$  New, Q:Old  $\frac{100}{100}$  New, R:Old  $\frac{100}{100}$  New, S:Old  $\frac{100}{100}$  New, W:Add, Z:Discontinued, F:Interchangeable by set, K:Q'ty Change  
 Copyright (C) YANMAR CO., LTD. All Rights Reserved.

Fig.4. BONNET

4. BONNET



No.	Lev.	Parts No.	Description	Q'ty						I	R
				(A)	(B)	(C)	(D)	(E)	(F)		
1	1	23065-120500	PIPE, 12X 500	1							
5	1	119620-11330	BONNET ASSY, HEAD	1							
7	2	119620-03020	PLATE, SHELTER	1							
8	2	119620-03031	GASKET	1							M
9	2	119620-11300	BONNET	1							
11	2	119620-11310	GASKET, BONNET	1							M
12	2	119620-11390	JOINT	1							
13	2	22217-050000	WASHER, SPRING 5	4							
15	2	26557-050102	SCREW, M5X10	4							
16	1	124160-11360	KNOB	2							
17	1	24311-000120	O-RING, 1AP12.0	2							
18	1	124160-01751	COVER, FILLER	1							
19	1	24311-000320	O-RING, 1AP32.0	1							

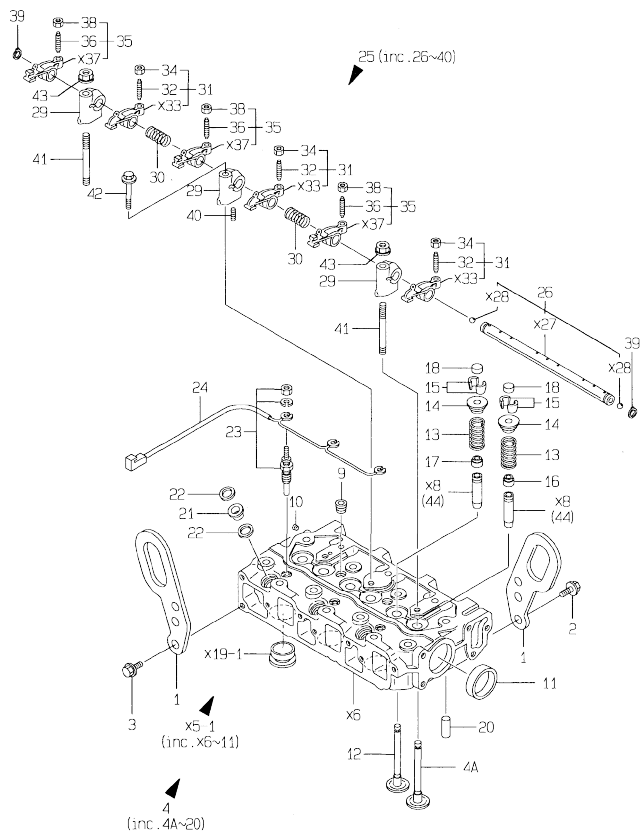
Remarks  
 (M) MISPRINT.  
 (1) NOT SOLD SEPARATELY.



OCV10-M12101

Fig.5. CYLINDER HEAD

5. CYLINDER HEAD

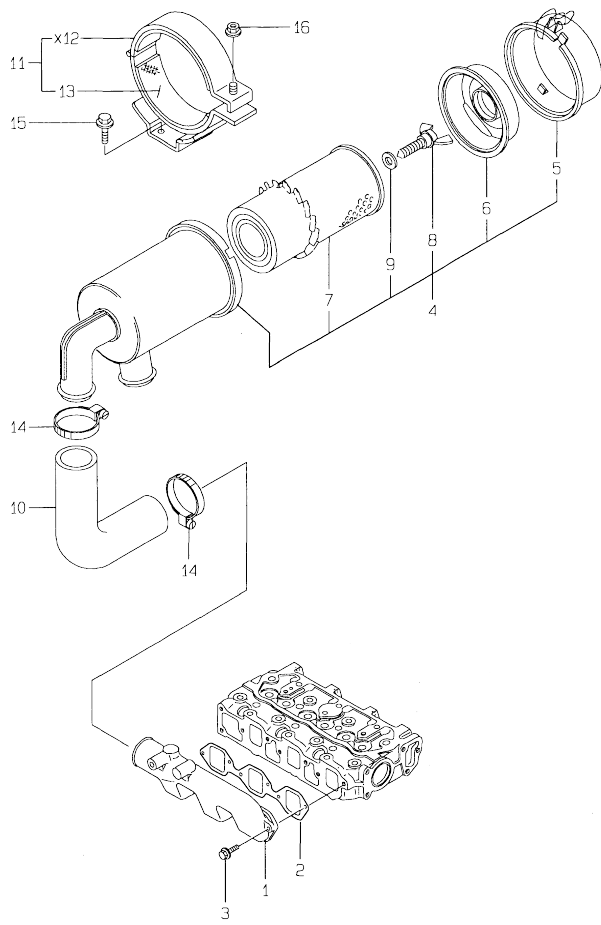


Remarks  
 (1)REPAIR PART.  
 (M)MISPRINT.  
 (2)NOT SOLD SEPARATELY.

No.	Lev.	Parts No.	Description	Q'ty						I	R
				(A)	(B)	(C)	(D)	(E)	(F)		
1	1	119260-07900	LIFTER	2							
2	1	26106-080142	BOLT, M8X 14 PLATED	1							
3	1	26106-080142	BOLT, M8X 14 PLATED	2							
4	1	719660-11700	HEAD ASSY, CYLINDER	1							W
(A=FROM 1ST)											
4A	2	119620-11100	VALVE, INTAKE	3							
5	2	119660-11100	HEAD ASSY, CYLINDER	1							M
9	3	121850-11860	PLUG, PT1/4	2							
10	3	27221-050080	PLUG, 5X 8	1							
11	3	27241-400000	PLUG, 40	2							
12	2	119620-11110	VALVE, EXHAUST	3							
13	2	119620-11120	SPRING, VALVE	6							
14	2	119620-11180	RETAINER, SPRING	6							
15	2	101158-11190	COTTER	6							
15-1	2	27310-070001	COTTER, 7	6							N
(A=EXXXXX)											
16	2	124160-11340	SEAL, VALVE STEM	3							
17	2	124950-11340	SEAL, VALVE STEM	3							
18	2	104211-11370	CAP, VALVE	6							
19	2	119656-11410	PLUG, HOT	3							M
20	2	22351-060012	PIN, SPRING 6.0X12	2							
21	1	119600-11450	PROTECTOR, NOZZLE	3							
22	1	119600-11460	GASKET, NOZZLE	6							
23	1	129795-77800	PLUG, GLOW	3							
24	1	119620-77820	CONNECTOR, GLOW PLUG	1							
25	1	119620-11200	SUPPORT ASSY, ARM	1							
26	2	119620-11240	SHAFT ASSY, ROCKER	1							
29	2	119620-11260	SUPPORT, ROCKER ARM	3							
30	2	119620-11280	SPRING	2							
31	2	719620-11650	ARM ASSY, ROCKER	3							
32	3	105010-11230	SCREW, VALVE ADJUST	3							
34	3	26756-060002	NUT, LOCK M6	3							
35	2	719620-11660	ARM ASSY, ROCKER	3							
36	3	105010-11230	SCREW, VALVE ADJUST	3							
38	3	26756-060002	NUT, LOCK M6	3							
39	2	22242-000120	RING, 12	2							
40	2	26979-050162	SCREW, M5X16	1							
41	1	119620-11350	STUD	2							
42	1	26106-080452	BOLT, M8X 45 PLATED	1							
43	1	26366-080002	NUT, M8	2							
44	1	119620-11801	GUIDE, VALVE	6							1

Fig.6. SUCTION MANIFOLD & AIR CLEANER

6. SUC. MANIFOLD & AIR CLEANER

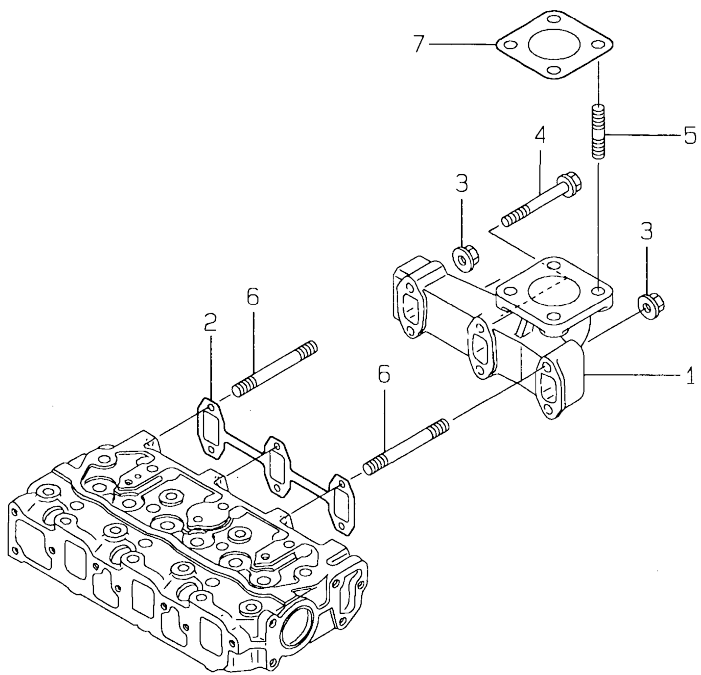


No.	Lev.	Parts No.	Description	Q'ty						I	R
				(A)	(B)	(C)	(D)	(E)	(F)		
1	1	119645-12100	MANIFOLD, AIR INTAKE	1							
2	1	119620-12111	GASKET, MANIFOLD	1							
3	1	26106-060202	BOLT, M6X 20 PLATED	6							
4	1	119632-12501	CLEANER ASSY, AIR	1							
5	2	121024-12660	PAN ASSY, DUST	1							
6	2	121465-12700	RETAINER, ELEMENT	1							
7	2	121465-12510	ELEMENT	1							
8	2	124064-12680	BOLT	1							
9	2	124064-12690	WASHER	1							
10	1	119632-12551	PIPE, AIR INTAKE	1							
11	1	119632-12590	SUPPORT ASSY,CLEANER	1							
13	2	119640-12580	SEAT, RUBBER	2							
14	1	23000-060000	CLAMP, 60	2							
15	1	26014-080202	BOLT, M8X 20	4							
16	1	26366-080002	NUT, M8	1							

OCV10-M12101

Fig.7. EXHAUST MANIFOLD

7.EXHAUST MANIFOLD



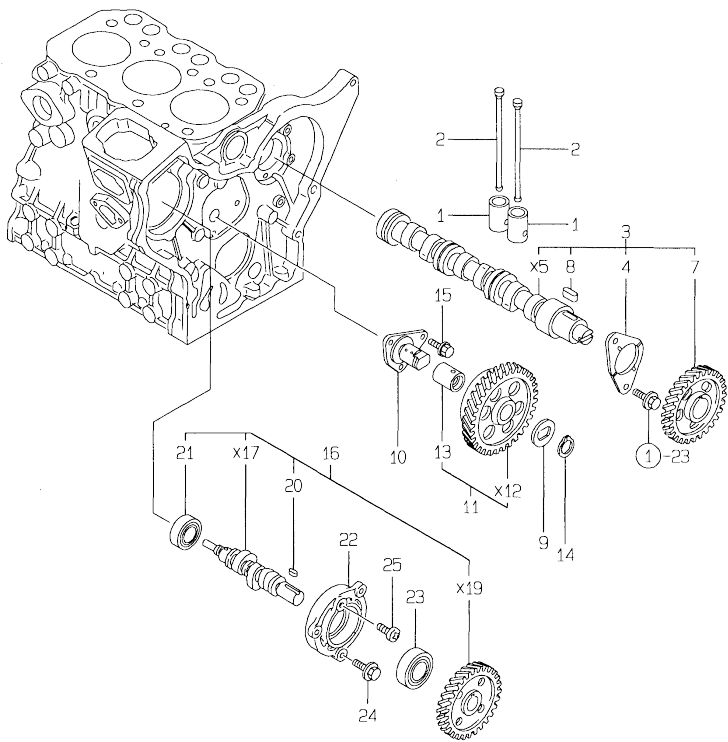
No.	Lev.	Parts No.	Description	Q'ty						I	R
				(A)	(B)	(C)	(D)	(E)	(F)		
1	1	119631-13101	MANIFOLD, EXHAUST	1							
2	1	119620-13110	GASKET	1							
3	1	194990-22050	NUT, M8	2							
4	1	26106-080402	BOLT, M8X 40 PLATED	4							
5	1	26216-080222	STUD, M8X 22	4							
6	1	26216-080552	STUD, M8X 55	2							
7	1	124701-11911	GASKET, SILENCER	1							

N:Old  $\frac{100}{100}$  New, Q:Old  $\frac{100}{100}$  New, R:Old  $\frac{100}{100}$  New, S:Old  $\frac{100}{100}$  New, W:Add, Z:Discontinued, F:Interchangeable by set, K:Qty Change  
 Copyright (C) YANMAR CO., LTD. All Rights Reserved.

OCV10-M12101

Fig.8. CAMSHAFT & DRIVING GEAR

B. CAMSHAFT & DRIVE GEAR

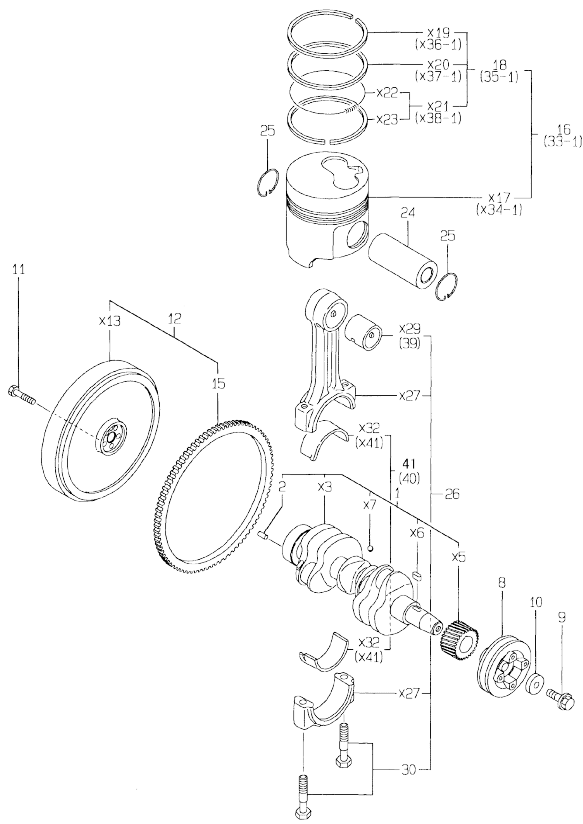


No.	Lev.	Parts No.	Description	Q'ty					
				(A)	(B)	(C)	(D)	(E)	(F)
1	1	119620-14200	TAPPET	6					
2	1	119620-14400	ROD, PUSH	6					
3	1	119629-14580	CAMSHAFT ASSY	1					
4	2	119620-02450	BEARING, THRUST	1					
7	2	119620-14100	GEAR, CAMSHAFT	1					
8	2	22512-040120	KEY, 4X 12	1					
9	1	119660-25022	RETAINER	1					
10	1	119660-25052	SHAFT, IDLE	1					
11	1	119620-25102	GEAR ASSY, IDLE	1					
13	2	119620-25062	BUSH, IDLE GEAR	1					
14	1	22242-000200	RING, 20	1					
15	1	26106-060122	BOLT, M6X 12 PLATED	3					
16	1	719660-14590	CAMSHAFT	1					
20	2	22512-040120	KEY, 4X 12	1					
21	2	24102-063034	BEARING, BALL 6303U	1					
22	1	119660-01821	BEARING, FUEL CAM	1					
23	1	24101-062034	BEARING, BALL 6203	1					
24	1	26106-060162	BOLT, M6X 16 PLATED	3					
25	1	26587-080102	SCREW, M8X10	1					

N:Old  $\frac{100}{100}$  New, Q:Old  $\frac{100}{100}$  New, R:Old  $\frac{100}{100}$  New, S:Old  $\frac{100}{100}$  New, W:Add, Z:Discontinued, F:Interchangeable by set, K:Q'ty Change  
 Copyright (C) YANMAR CO., LTD. All Rights Reserved.

Fig.9. CRANKSHAFT & PISTON

9. CRANKSHAFT & PISTON



No.	Lev.	Parts No.	Description	Q'ty						I	R
				(A)	(B)	(C)	(D)	(E)	(F)		
1	1	719660-21700	CRANKSHAFT ASSY	1							
2	2	129100-01580	PIN, M8X16	1							
8	1	119660-21651	V-PULLEY	1							
9	1	119621-21680	BOLT, FLANGE 12X1.25	1							
10	1	119620-21941	WASHER	1							
11	1	121111-21501	BOLT, FLYWHEEL	5							
12	1	119600-21580	FLYWHEEL ASSY	1							
15	2	119865-21600	GEAR, RING	1							
16	1	119620-22090	PISTON ASSY	3							
18	2	719620-22500	RING SET, PISTON	3							
24	1	119620-22300	PIN, PISTON	3							
25	1	22252-000210	RING, 21	6							
26	1	719620-23100	ROD ASSY, CONNECTING	3							
30	2	105225-23200	BOLT, CONNECTING ROD	6							
33	1	719600-22820	PISTON ASSY, 0.25 OS	3							M
33-1	1	119620-22900	PISTON ASSY, 0.25 OS	3							1
35	2	719600-22540	RING SET, 0.25 OS	3							M
35-1	2	119620-22950	RING SET, 0.25 OS	3							1
39	1	119620-23910	BEARING, PISTON PIN	3							2
40	1	719620-23610	BEARING ASSY, 0.25	3							3
41	1	719620-23600	BEARING, CRANK PIN	3							

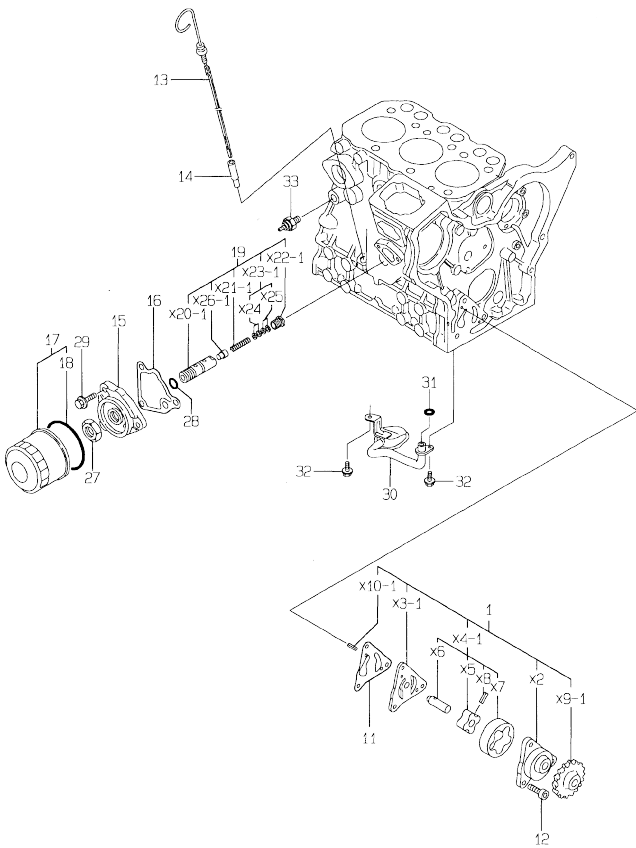
Remarks

- (1) OVERSIZED(O.S=0.25) PART.
- (2) REPAIR PART.
- (3) UNDERSIZED(U.S=0.25) PART.
- (M) MISPRINT.

OCV10-M12101

Fig.10. LUB. OIL SYSTEM

10. LUB. OIL SYSTEM



No.	Lev.	Parts No.	Description	Q'ty						I	R
				(A)	(B)	(C)	(D)	(E)	(F)		
1	1	119660-32001	PUMP ASSY, OIL	1							
3	2	119660-32080	COVER	1							M
4	2	119660-32150	ROTOR ASSY	1							M
9	2	119660-32200	GEAR, OIL PUMP	1							M
10	2	22351-040014	PIN, SPRING 4.0X14	2							M
11	1	119660-32020	GASKET, PUMP	1							
12	1	26450-060202	BOLT, M6X 20	3							
13	1	119600-34800	DIPSTICK, OIL	1							
14	1	121520-34810	GUIDE, DIPSTICK	1							
15	1	119660-35102	BRACKET, FILTER	1							
16	1	119660-35113	GASKET	1							
17	1	119660-35150	FILTER, LUB. OIL	1							
18	2	124450-35110	O-RING	1							
19	1	119660-35300	VALVE ASSY, CONTROL	1							
20	2	119660-35310	BODY	1							M
21	2	119865-35320	SPRING	1							M
22	2	119865-35330	RETAINER	1							M
23	2	129150-35340	SHIM SET	1							M
26	2	119865-35350	VALVE, CONTROL	1							M
27	1	129150-35350	NUT	1							
28	1	24311-000160	O-RING, 1AP16.0	1							
29	1	26106-080202	BOLT, M8X 20 PLATED	3							
30	1	119600-35081	PIPE ASSY, OIL INLET	1							
31	1	24311-000120	O-RING, 1AP12.0	1							
32	1	26106-060102	BOLT, M6X 10 PLATED	2							
33	1	124160-39450	SWITCH, 0.5KG	1							

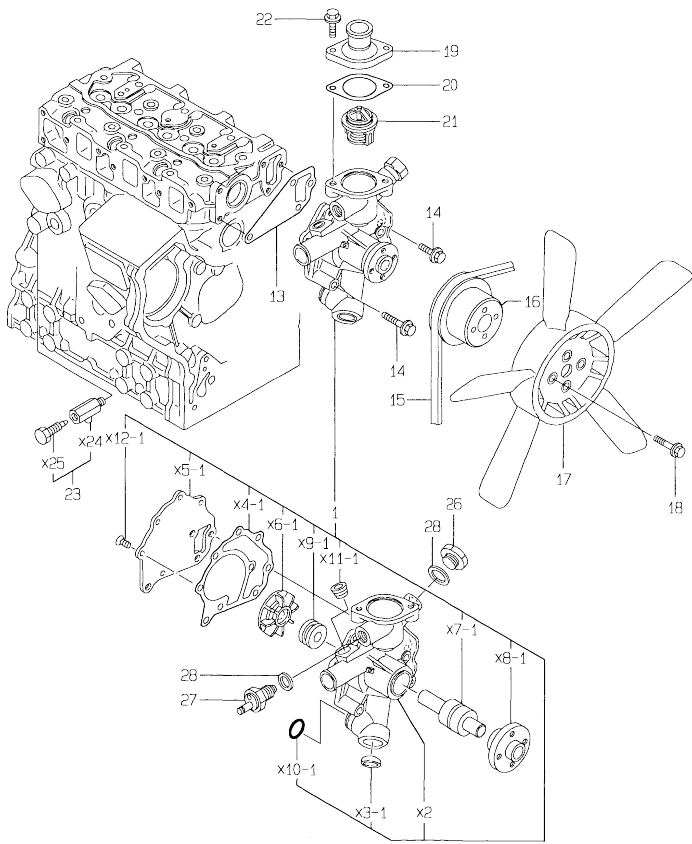
Remarks  
(M) MISPRINT.  
(1) NOT SOLD SEPARATELY.

N:Old  $\frac{New}{Old}$  New. Q:Old  $\frac{New}{Old}$  New. R:Old  $\frac{New}{Old}$  New. S:Old  $\frac{New}{Old}$  New. W:Add. Z:Discontinued. F:Interchangeable by set. K:Qty Change  
Copyright (C) YANMAR CO., LTD. All Rights Reserved.

OCV10-M12101

Fig.11. COOLING WATER PUMP

11.COOLING WATER PUMP



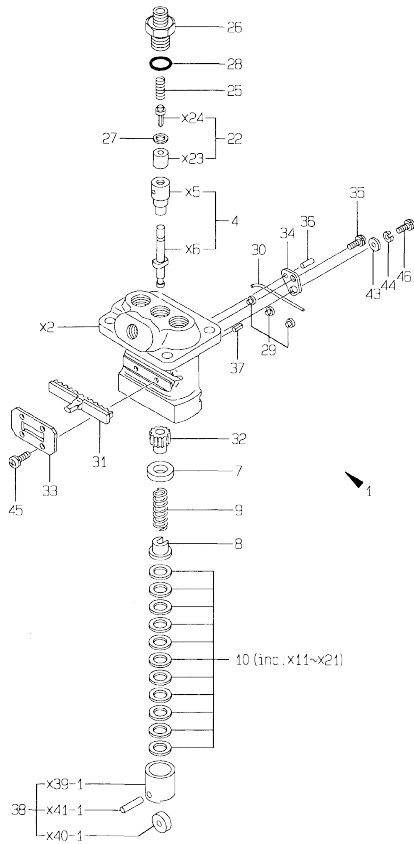
No.	Lev.	Parts No.	Description	Q'ty						I	R
				(A)	(B)	(C)	(D)	(E)	(F)		
1	1	119660-42004	PUMP ASSY, WATER	1							
3	2	119620-42040	PLUG	1							M
4	2	119660-42052	GASKET, WATER PUMP	1							M
5	2	119660-42121	PLATE	1							M
6	2	119620-42200	IMPELLER	1							M
7	2	119660-42240	BEARING, SHAFT	1							M
8	2	119660-42260	FLANGE, V-PULLEY	1							M
9	2	119660-42310	SEAL, MECHANICAL	1							M
10	2	119620-42320	O-RING	1							M
11	2	23871-030000	PLUG, R03	1							M
12	2	26577-060122	SCREW, M6X12	5							M
13	1	119620-42020	GASKET, WATER PUMP	1							
14	1	26106-080452	BOLT, M8X 45 PLATED	4							
15	1	119656-42290	V-BELT, FM35.5	1							
16	1	119660-42350	V-PULLEY	1							
17	1	124700-44740	FAN, COOLING 5X310	1							
18	1	26014-060162	BOLT, M6X 16	4							
19	1	129350-49530	COVER, THERMOSTAT	1							
20	1	129350-49541	GASKET	1							
21	1	129350-49800	THERMOSTAT, 71	1							
22	1	26106-080202	BOLT, M8X 20 PLATED	2							
23	1	119620-49290	COCK ASSY, 1/4	1							
26	1	121450-42450	PLUG, M16	1							
27	1	121250-44901	SWITCH, 110	1							
28	1	124465-44950	GASKET, 16	2							

Remarks  
(M) MISPRINT.  
(1) NOT SOLD SEPARATELY.

N:Old  $\frac{100}{100}$  New, Q:Old  $\frac{100}{100}$  New, R:Old  $\frac{100}{100}$  New, S:Old  $\frac{100}{100}$  New, W:Add, Z:Discontinued, F:Interchangeable by set, K:Qty Change  
Copyright (C) YANMAR CO., LTD. All Rights Reserved.

Fig.12. FUEL INJECTION PUMP

12. FUEL INJECTION PUMP



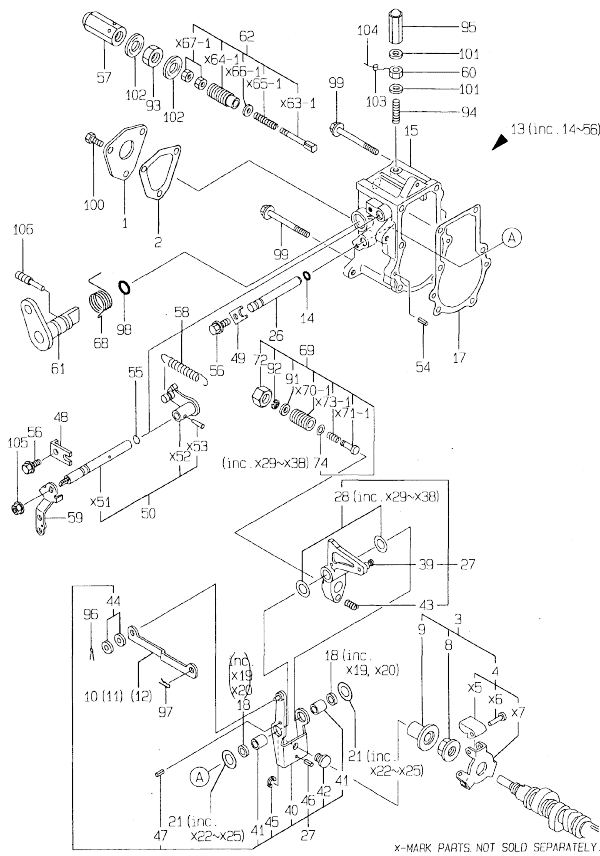
No.	Lev.	Parts No.	Description	Q'ty						I	R
				(A)	(B)	(C)	(D)	(E)	(F)		
1	1	719621-51100	PUMP ASSY, INJECTION	1							
4	2	119620-51101	PLUNGER ASSY	3							
7	2	119620-51170	RETAINER, SPRING A	3							
8	2	119620-51180	RETAINER, SPRING B	3							
9	2	119620-51190	SPRING, PLUNGER	3							
10	2	119620-51250	SHIM SET	3							
22	2	119620-51300	VALVE ASSY, DELIVERY	3							
25	2	105546-51330	SPRING, DELIVERY	3							
26	2	119620-51340	HOLDER, DELIVERY	3							
27	2	119620-51350	GASKET	3							
28	2	119620-51370	O-RING	3							
29	2	119620-51450	PIECE	3							
30	2	119620-51461	PIN	1							
31	2	119660-51500	RACK, CONTROL	1							
32	2	119620-51510	PINION	3							
33	2	119660-51530	RETAINER, RACK	1							
34	2	119620-51650	PLATE	2							
35	2	119620-51660	SCREW	2							
36	2	119620-51670	PIN	2							
37	2	119620-51680	PIN	1							
38	2	119620-51700	TAPPET ASSY	3							
39	3	119620-51200	TAPPET	3							M
40	3	119620-51220	ROLLER	3							M
41	3	119620-51230	PIN, ROLLER	3							M
43	2	22137-040000	WASHER, 4	2							
44	2	22217-040000	WASHER, SPRING 4	2							
45	2	26022-040082	SCREW, M4X 8	4							
46	2	26587-040102	SCREW, M4X10	2							

Remarks  
 (M) MISPRINT.  
 (1) NOT SOLD SEPARATELY.



Fig.13. GOVERNOR

13. GOVERNOR



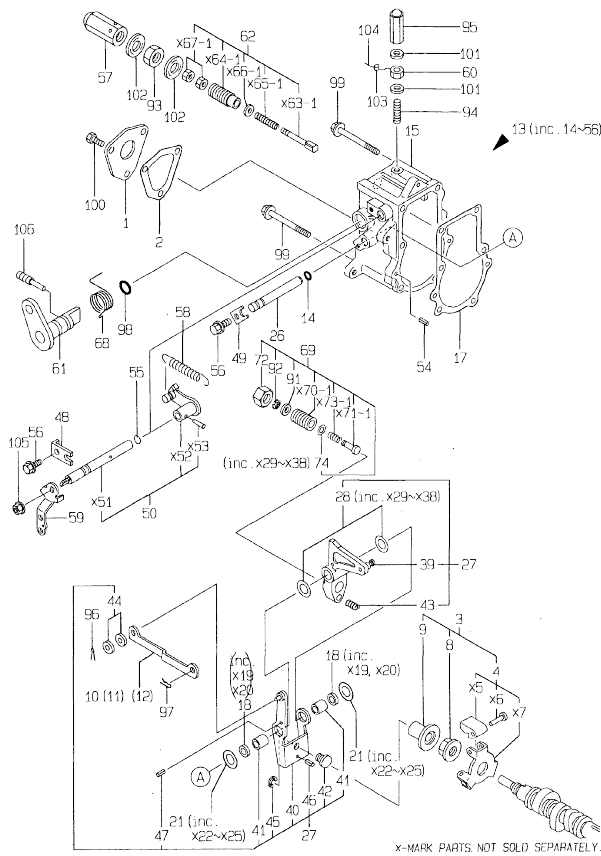
Remarks  
(M) MISPRINT.  
(1) NOT SOLD SEPARATELY.

No.	Lev.	Parts No.	Description	Qty						I	R
				(A)	(B)	(C)	(D)	(E)	(F)		
1	1	119660-61060	COVER, GOVERNOR CASE	1							
2	1	119660-61071	GASKET	1							
3	1	119600-61100	DRIVE ASSY	1							
4	2	119600-61200	WEIGHT ASSY,GOVERNOR	1							
8	2	119660-61300	NUT	1							
9	2	119660-61341	SLEEVE	1							
10	1	119660-61121	LINK, NO MARK	1							
11	1	119660-61140	LINK, MARK :2	1							
12	1	119660-61150	LINK, MARK :3	1							
13	1	119270-61200	CASE ASSY, GOVERNOR	1							
14	2	129155-51280	O-RING, S6	1							
15	2	119660-61013	CASE, GOVERNOR	1							
17	2	119660-61052	GASKET	1							
18	2	119660-61460	SHIM SET	1							
21	2	129155-61480	SPACER ASSY	2							
26	2	119660-61491	SHAFT	1							
27	2	119600-61500	LEVER ASSY, GOVERNOR	1							
28	3	174307-51700	SHIM SET	2							
39	3	119660-61512	LEVER, TENSION	1							
40	3	119600-61520	LEVER, GOVERNOR	1							
41	3	129155-61530	BUSH	2							
42	3	119600-61540	SHIFTER	1							
43	3	119600-61650	SPRING, STARTING	1							
44	3	22117-040000	WASHER, 4	2							
45	3	22272-000040	RING, E- 4	1							
46	3	22351-020004	PIN, SPRING 2.0X 4	1							
47	3	22351-030014	PIN, SPRING 3.0X14	1							
48	2	119600-61900	RETAINER, SHAFT	1							
49	2	119660-61901	RETAINER, SHAFT	1							
50	2	119621-66091	SHAFT ASSY	1							
54	2	22351-040010	PIN, SPRING 4.0X10	2							
55	2	24341-000070	O-RING, 1AS7.0	1							
56	2	26106-060102	BOLT, M6X 10 PLATED	2							
57	1	129100-61930	NUT, CAP	1							
58	1	119600-66020	SPRING, REGULATOR	1							
59	1	119621-66051	LEVER, REGULATOR	1							
60	1	124550-66370	NUT, M6	1							
61	1	119600-66521	HANDLE, STOP	1							
61-1	1	119643-66560	LEVER, STOP	1							N
(A=E/# 55786)											
62	1	119600-66530	LIMITER ASSY, FUEL	1							
63	2	129100-61460	PIN	1							M
64	2	119600-66560	BODY, FUEL LIMITER	1							M
65	2	119600-66590	SPRING, CONTROLLER	1							M
66	2	124950-66590	SHIM SET	1							M
67	2	26756-050002	NUT, LOCK M5	2							M
68	1	119600-66681	SPRING, RETURN	1							Z
(A=*)											
69	1	119600-66720	ANGLEICH ASSY	1							
70	2	129155-61570	CASE	1							M
71	2	129155-61580	SHIFTER	1							M

N:Old  $\frac{100}{100}$  New, Q:Old  $\frac{100}{100}$  New, R:Old  $\frac{100}{100}$  New, S:Old  $\frac{100}{100}$  New, W:Add, Z:Discontinued, F:Interchangeable by set, K:Qty Change  
 ++ CONTINUE ++  
 Copyright (C) YANMAR CO., LTD. All Rights Reserved.

Fig.13. GOVERNOR

13. GOVERNOR



Remarks  
 (M) MISPRINT.  
 (1) NOT SOLD SEPARATELY.

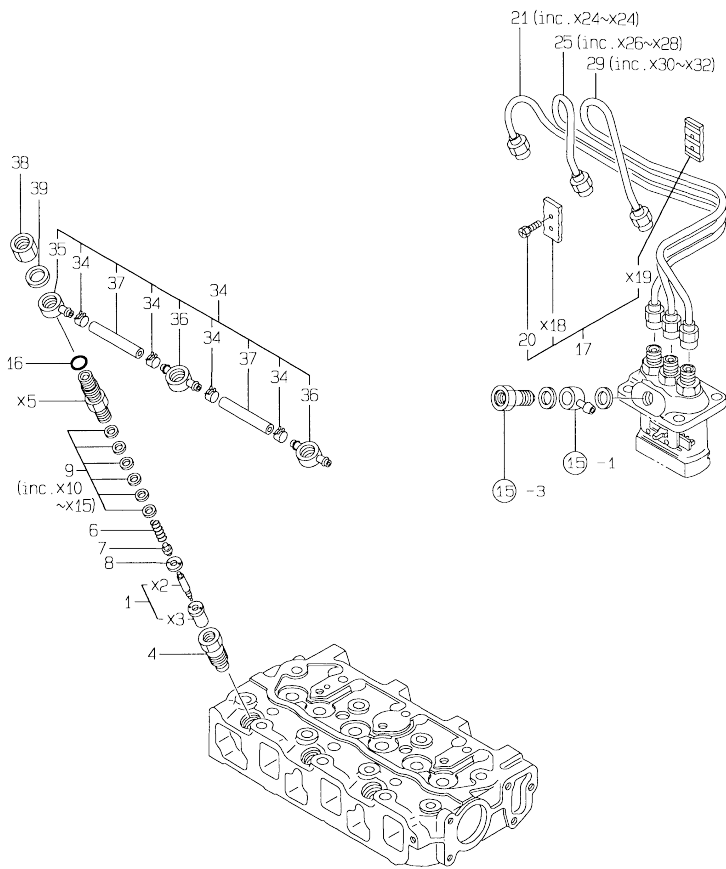
No.	Lev.	Parts No.	Description	Q'ty						I	R
				(A)	(B)	(C)	(D)	(E)	(F)		
72	2	129155-61590	NUT, LOCK	1							
73	2	129156-61600	SPRING, ANGLEIGH	1							M
74	2	129555-61800	SHIM SET	1							
91	2	22117-050000	WASHER, 5	1							
92	2	22272-000040	RING, E- 4	1							
93	1	124772-66750	NUT, LOCK M12	1							
94	1	121575-66830	SCREW	1							
95	1	119600-66840	NUT, CAP	1							
96	1	22360-040000	PIN, SNAP 4	1							
97	1	22360-060000	PIN, SNAP 6	1							
98	1	24311-240100	O-RING, 1AP10A	1							
99	1	26106-060702	BOLT, M6X 70 PLATED	6							
100	1	26116-050102	BOLT, M5X 10 PLATED	3							
101	1	43400-500400	SEAL WASHER 6	2							
102	1	43400-500450	SEAL WASHER 12	2							
103	1	135210-61090	LEAD	1							
104	1	22451-060000	WIRE, 0.6	1							
105	1	194990-22050	NUT, M8	1							
106	1	124250-03640	SCREW	1							

N:Old  $\frac{100}{100}$  New, Q:Old  $\frac{100}{100}$  New, R:Old  $\frac{100}{100}$  New, S:Old  $\frac{100}{100}$  New, W:Add, Z:Discontinued, F:Interchangeable by set, K:Q'ty Change  
 Copyright (C) YANMAR CO., LTD. All Rights Reserved.

OCV10-M12101

Fig.14. FUEL INJECTION VALVE

14.FUEL INJECTION VALVE



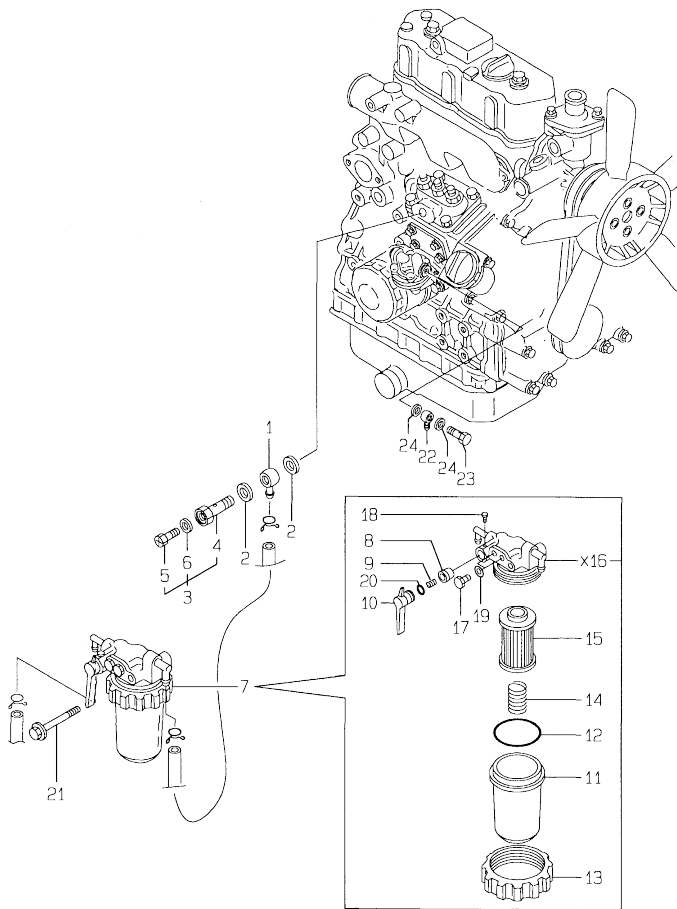
No.	Lev.	Parts No.	Description	Q'ty					
				(A)	(B)	(C)	(D)	(E)	(F)
1	1	119620-53000	VALVE ASSY,INJECTION	3					
4	1	119620-53080	NUT, NOZZLE	3					
6	1	119620-53120	SPRING, NOZZLE	3					
7	1	114250-53130	SEAT, SPRING	3					
8	1	119620-53140	SPACER, VALVE STOP	3					
9	1	114250-53400	SHIM SET	3					
16	1	129155-61830	O-RING, S10	3					
17	1	129150-59120	RETAINER, PIPE	1					
20	2	129150-59130	BOLT, M4X12	2					
21	1	119620-59811	PIPE ASSY, INJECTION	1					
25	1	119620-59821	PIPE ASSY, INJECTION	1					
29	1	119620-59831	PIPE ASSY, INJECTION	1					
33	1	119620-59540	PIPE ASSY, FUEL	1					
34	2	124066-59100	CLIP, HOSE 8	4					
35	2	119260-59520	JOINT	1					
36	2	119260-59530	JOINT	2					
37	2	105025-59550	PIPE, FUEL RETURN	2					
38	1	119620-59700	NUT, NOZZLE	3					
39	1	23414-140000	GASKET, 14X1.0	3					

N:Old  $\frac{100}{100}$  New, Q:Old  $\frac{100}{100}$  New, R:Old  $\frac{100}{100}$  New, S:Old  $\frac{100}{100}$  New, W:Add, Z:Discontinued, F:Interchangeable by set, K:Q'ty Change  
 Copyright (C) YANMAR CO., LTD. All Rights Reserved.

OCV10-M12101

Fig.15. FUEL LINE

15. FUEL LINE

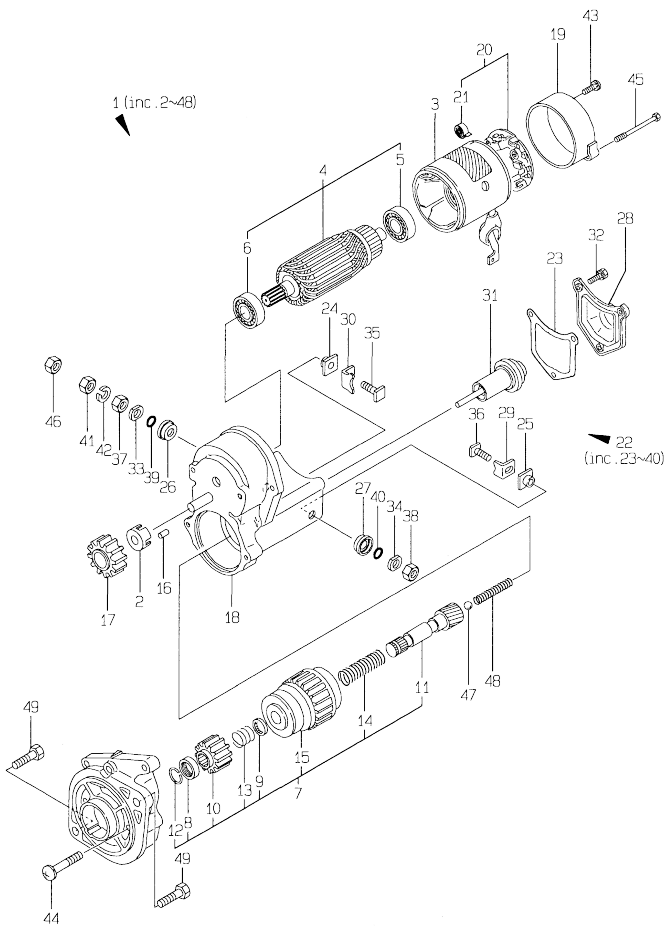


No.	Lev.	Parts No.	Description	Q'ty						I	R
				(A)	(B)	(C)	(D)	(E)	(F)		
1	1	101304-59020	JOINT, PIPE 12	1							
2	1	104200-59170	GASKET, 12	2							
3	1	103854-59191	BOLT ASSY, JOINT M12	1							
4	2	103854-59201	BOLT, PIPE JOINT M12	1							
5	2	124060-59380	PLUG, 6	1							
6	2	43400-500390	SEAL WASHER 6	1							
7	1	171059-55600	FILTER ASSY, FUEL	1							
8	2	104200-55321	VALVE, TAPER	1							
9	2	104200-55330	SPRING, VALVE	1							
10	2	104200-55341	HANDLE	1							
11	2	121254-55510	COVER	1							
12	2	102103-55520	O-RING	1							
13	2	110250-55610	RING, RETAINING	1							
14	2	121250-55620	SPRING	1							
15	2	124550-55700	FILTER, FUEL L=90	1							
17	2	101720-55750	PLUG, 6	2							
18	2	104200-55750	SCREW, M4	1							
19	2	23418-060000	GASKET, 6X1.0	2							
20	2	24311-240100	O-RING, 1AP10A	1							
21	1	26116-080702	BOLT, M8X 70 PLATED	1							
22	1	104264-59030	JOINT, PIPE 8	2							W
(A=FROM 1ST)											
23	1	105582-59150	BOLT, PIPE JOINT	2							W
(A=FROM 1ST)											
24	1	23414-080012	GASKET, 8X1.0	4							W
(A=FROM 1ST)											

N:Old  $\frac{100}{100}$  New, Q:Old  $\frac{100}{100}$  New, R:Old  $\frac{100}{100}$  New, S:Old  $\frac{100}{100}$  New, W:Add, Z:Discontinued, F:Interchangeable by set, K:Qty Change  
 Copyright (C) YANMAR CO., LTD. All Rights Reserved.

Fig.16. STARTING MOTOR

15. STARTING MOTOR

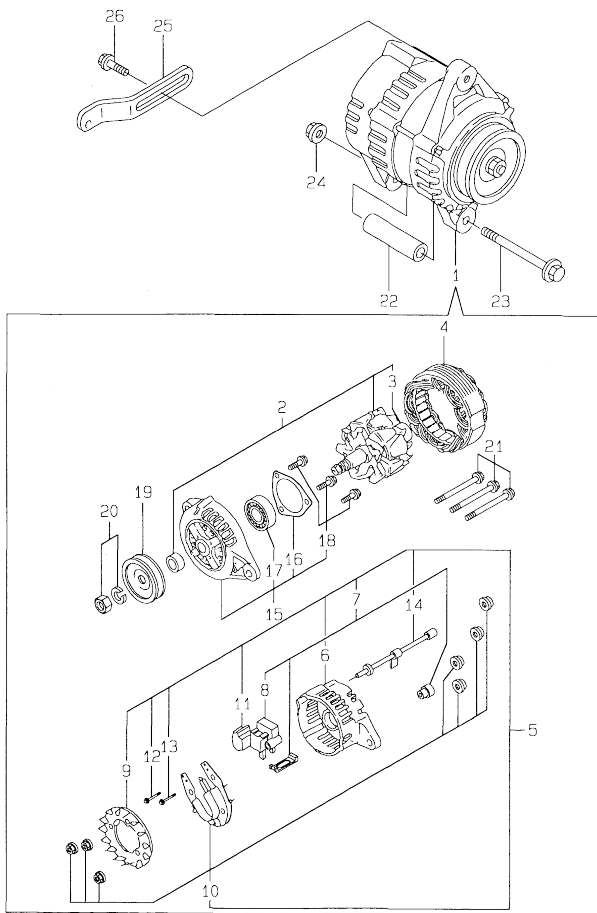


No.	Lev.	Parts No.	Description	Q'ty						I	R
				(A)	(B)	(C)	(D)	(E)	(F)		
1	1	119620-77011	STARTER	1							
2	2	X0280630011	RETAINER	1							
3	2	X0281003751	YOKE ASSY	1							
4	2	X0282001531	ARMATURE ASSY	1							
5	3	X9491001360	BEARING	1							
6	3	X9491001860	BALL BEARING	1							
7	2	X0283005050	CLUTCH, STARTER	1							
8	3	X0280210230	NUT	1							
9	3	X0283270140	RETAINER	1							
10	3	X0283715030	PINION, STARTER	1							
11	3	X0283810040	SHAFT	1							
12	3	X9490721080	RING	1							
13	3	X9491703371	SPRING, COIL	1							
14	3	X9491704260	SPRING	1							
15	3	121120-77930	CASE ASSY, STARTER	1							
16	2	X0283060061	ROLLER	5							
17	2	X0283711420	PINION	1							
18	2	X0284004910	HOUSING, STARTER	1							
19	2	X0285040631	FRAME ASSY	1							
20	2	X0285100460	HOLDER ASSY, BRUSH	1							
21	3	X9491730461	SPRING	4							
22	2	X0534006460	SWITCH, MAGNETIC	1							
23	3	X0534040320	GASKET	1							
24	3	X0534490120	BUSH	1							
25	3	X0534490120	BUSH	1							
26	3	X0534490230	BUSH	1							
27	3	X0534490230	BUSH	1							
28	3	X0535050620	COVER	1							
29	3	X0535130241	PLATE (B)	1							
30	3	X0535130320	PLATE (A)	1							
31	3	X0536600401	PLUNGER	1							
32	3	X9151005141	BOLT W/WASHER	3							
33	3	X9490170900	WASHER	1							
34	3	X9490170900	WASHER	1							
35	3	X9490441303	BOLT	1							
36	3	X9490441312	BOLT	1							
37	3	X9490502820	NUT	1							
38	3	X9490502820	NUT	1							
39	3	X9491402100	O-RING	1							
40	3	X9491402100	O-RING	1							
41	2	X9019008651	NUT	1							
42	2	X9025808001	WASHER	1							
43	2	X9490071810	SCREW W/WASHER	2							
44	2	X9490071970	SCREW W/WASHER	2							
45	2	X9490423330	BOLT W/WASHER	2							
46	2	X9490561370	NUT	1							
47	2	X9491200240	BALL	1							
48	2	X9491703380	SPRING	1							
49	1	26116-120252	BOLT, M12X 25 PLATED	2							

N:Old  $\frac{100}{100}$  New, Q:Old  $\frac{100}{100}$  New, R:Old  $\frac{100}{100}$  New, S:Old  $\frac{100}{100}$  New, W:Add, Z:Discontinued, F:Interchangeable by set, K:Q'ty Change  
 Copyright (C) YANMAR CO., LTD. All Rights Reserved.

Fig.17. GENERATOR

17. GENERATOR

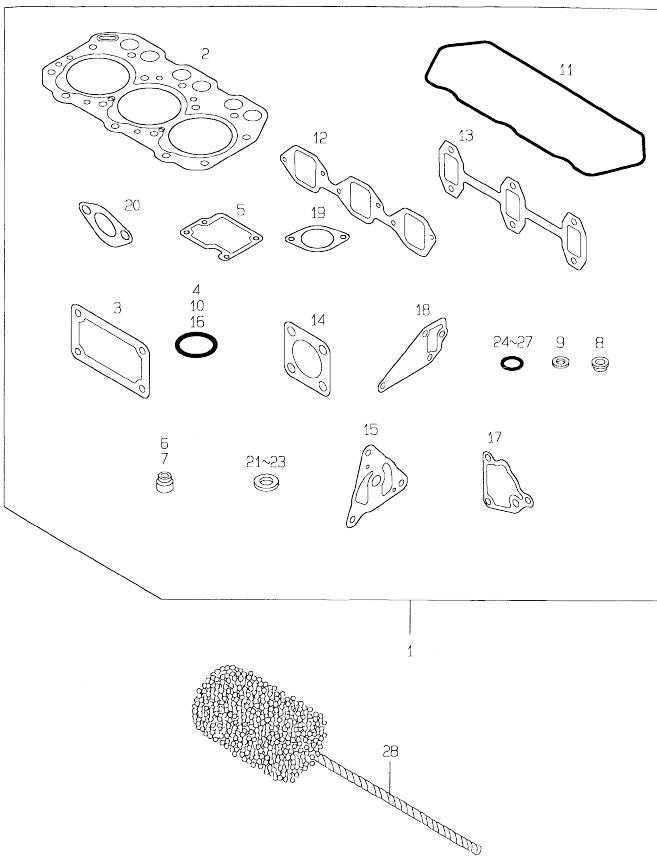


No.	Lev.	Parts No.	Description	Q'ty						I	R
				(A)	(B)	(C)	(D)	(E)	(F)		
1	1	119836-77200	GENERATOR	1							
2	2	119836-77700	ROTOR ASSY	1							
3	3	119836-77850	BALL BEARING	1							
4	2	119836-77710	STARTER ASSY	1							
5	2	119836-77721	COVER ASSY, REAR	1							
6	3	119836-77730	COVER, REAR	1							
7	3	119836-77741	BRUSH ASSY,REGULATOR	1							
8	4	119836-77750	BRUSH ASSY	1							
9	3	119836-77760	GUIDE, FAN SIDE	1							
10	3	119836-77770	DIODE ASSY	1							
11	3	119836-77780	CONDENSER	1							
12	3	119836-77871	BOLT (1)	1							
13	3	119836-77880	BOLT (2)	1							
14	3	119836-77890	WIRE ASSY, LEAD	1							
15	2	119836-77790	COVER ASSY, FRONT	1							
16	3	119836-77800	RETAINER, BEARING	1							
17	3	119836-77840	BALL BEARING	1							
18	3	119836-77860	SCREW KID	1							
19	2	119836-77810	PULLEY	1							
20	2	119836-77820	NUT ASSY, PULLEY	1							
21	2	119836-77830	BOLT, THROUGH	1							
22	1	119621-77340	PIECE, DISTANCE	1							
23	1	26106-081052	BOLT, M8X105 PLATED	1							
24	1	26366-080002	NUT, M8	1							
25	1	119660-77330	ADJUSTER	1							
25-1	1	119621-77331	ADJUSTER	1							N
(A=E# 60311)											
26	1	26106-080182	BOLT, M8X 18 PLATED	1							

OCV10-M12101

Fig.18. GASKET SET(OPTIONAL)

18.GASKET SET (OPTIONAL)



No.	Lev.	Parts No.	Description	Q'ty						I	R	
				(A)	(B)	(C)	(D)	(E)	(F)			
1	1	719641-92600	GASKET SET	1							1	
2	2	119610-01340	GASKET, HEAD	1								
3	2	119660-01562	GASKET	1								
4	2	24311-000320	O-RING, 1AP32.0	1								
5	2	119620-03031	GASKET	1								
6	2	124950-11340	SEAL, VALVE STEM	3								
7	2	124160-11340	SEAL, VALVE STEM	3								
8	2	119600-11450	PROTECTOR, NOZZLE	3								
9	2	119600-11460	GASKET, NOZZLE	6								
10	2	24311-000320	O-RING, 1AP32.0	1								
11	2	119620-11310	GASKET, BONNET	1								
12	2	119620-12111	GASKET, MANIFOLD	1								
13	2	119620-13110	GASKET	1								
14	2	124701-11911	GASKET, SILENCER	1								
15	2	119660-32020	GASKET, PUMP	1								
16	2	124450-35110	O-RING	1								
17	2	119660-35113	GASKET	1								
18	2	119620-42020	GASKET, WATER PUMP	1								
19	2	129350-49541	GASKET	1								
20	2	121520-01851	GASKET	1								
21	2	124465-44950	GASKET, 16	2								
22	2	104200-59170	GASKET, 12	2								
23	2	23414-140000	GASKET, 14X1.0	3								
24	2	24311-000120	O-RING, 1AP12.0	5								
25	2	24311-000160	O-RING, 1AP16.0	1								
26	2	129155-61830	O-RING, S10	3								
27	2	24341-000240	O-RING, 1AS24.0	2								
28	1	129400-92410	FLEX HORN	1								1

Remarks  
(1)OPTIONAL PART.

N:Old  $\frac{100}{100}$  New, Q:Old  $\frac{100}{100}$  New, R:Old  $\frac{100}{100}$  New, S:Old  $\frac{100}{100}$  New, W:Add, Z:Discontinued, F:Interchangeable by set, K:Q'ty Change  
Copyright (C) YANMAR CO., LTD. All Rights Reserved.

## Parts No. Index

Parts No.	Fig. No.	Ref. No.
101158-11190	5	15
101304-59020	15	1
101720-55750	15	17
102103-55520	15	12
103854-59191	15	3
103854-59201	15	4
104200-55321	15	8
104200-55330	15	9
104200-55341	15	10
104200-55750	15	18
104200-59170	15	2
	18	22
104211-11370	5	18
104264-59030	15	22
105010-11230	5	32
	36	
105025-59550	14	37
105225-23200	9	30
105546-51330	12	25
105582-59150	15	23
110250-55610	15	13
114250-53130	14	7
114250-53400	14	9
119260-07900	5	1
119260-59520	14	35
119260-59530	14	36
119270-61200	13	13
119600-01050	1	4
119600-01600	3	2
119600-01722	3	15
119600-11450	5	21
	18	8
119600-11460	5	22
	18	9
119600-21580	9	12
119600-34800	10	13
119600-35081	10	30
119600-52021	2	31
119600-61100	13	3
119600-61200	13	4
119600-61500	13	27
119600-61520	13	40
119600-61540	13	42
119600-61650	13	43
119600-61900	13	48
119600-66020	13	58
119600-66521	13	61
119600-66530	13	62
119600-66560	13	64
119600-66590	13	65

Parts No.	Fig. No.	Ref. No.
119600-66681	13	68
119600-66720	13	69
119600-66840	13	95
119610-01000	1	1 A
119610-01340	1	22
	18	2
119610-01490	2	17
119610-01590	2	1
119620-01200	1	21
119620-01620	3	6
119620-01750	3	4
119620-01800	2	4
119620-01950	2	26
119620-02020	1	5
119620-02410	1	20
119620-02450	8	4
119620-03020	4	7
119620-03031	4	8
	18	5
119620-11100	5	4 A
119620-11110	5	12
119620-11120	5	13
119620-11180	5	14
119620-11200	5	25
119620-11240	5	26
119620-11260	5	29
119620-11280	5	30
119620-11300	4	9
119620-11310	4	11
	18	11
119620-11330	4	5
119620-11350	5	41
119620-11390	4	12
119620-11801	5	44
119620-12111	6	2
	18	12
119620-13110	7	2
	18	13
119620-14100	8	7
119620-14200	8	1
119620-14400	8	2
119620-21941	9	10
119620-22090	9	16
119620-22300	9	24
119620-22900	9	33 -1
119620-22950	9	35 -1
119620-23910	9	39
119620-25062	8	13
119620-25102	8	11
119620-42020	11	13

Parts No.	Fig. No.	Ref. No.
119620-42020	18	18
119620-42040	11	3
119620-42200	11	6
119620-42320	11	10
119620-49290	11	23
119620-51101	12	4
119620-51170	12	7
119620-51180	12	8
119620-51190	12	9
119620-51200	12	39
119620-51220	12	40
119620-51230	12	41
119620-51250	12	10
119620-51300	12	22
119620-51340	12	26
119620-51350	12	27
119620-51370	12	28
119620-51450	12	29
119620-51461	12	30
119620-51510	12	32
119620-51650	12	34
119620-51660	12	35
119620-51670	12	36
119620-51680	12	37
119620-51700	12	38
119620-53000	14	1
119620-53080	14	4
119620-53120	14	6
119620-53140	14	8
119620-59540	14	33
119620-59700	14	38
119620-59811	14	21
119620-59821	14	25
119620-59831	14	29
119620-77011	16	1
119620-77820	5	24
119621-21680	9	9
119621-66051	13	59
119621-66091	13	50
119621-77331	17	25 -1
119621-77340	17	22
119629-14580	8	3
119631-13101	7	1
119632-12501	6	4
119632-12551	6	10
119632-12590	6	11
119640-12580	6	13
119643-66560	13	61 -1
119645-12100	6	1
119656-11410	5	19

Parts No.	Fig. No.	Ref. No.
119656-42290	11	15
119660-01510	2	20
119660-01551	2	23
119660-01562	2	24
	18	3
119660-01640	3	7
119660-01821	8	22
119660-01911	2	5
119660-11100	5	5
119660-21651	9	8
119660-25022	8	9
119660-25052	8	10
119660-32001	10	1
119660-32020	10	11
	18	15
119660-32080	10	3
119660-32150	10	4
119660-32200	10	9
119660-35102	10	15
119660-35113	10	16
	18	17
119660-35150	10	17
119660-35300	10	19
119660-35310	10	20
119660-42004	11	1
119660-42052	11	4
119660-42121	11	5
119660-42240	11	7
119660-42260	11	8
119660-42310	11	9
119660-42350	11	16
119660-51500	12	31
119660-51530	12	33
119660-61013	13	15
119660-61052	13	17
119660-61060	13	1
119660-61071	13	2
119660-61121	13	10
119660-61140	13	11
119660-61150	13	12
119660-61300	13	8
119660-61341	13	9
119660-61460	13	18
119660-61491	13	26
119660-61512	13	39
119660-61901	13	49
119660-77330	17	25
119836-77200	17	1
119836-77700	17	2
119836-77710	17	4



## Parts No. Index

Parts No.	Fig. No.	Ref. No.	Parts No.	Fig. No.	Ref. No.	Parts No.	Fig. No.	Ref. No.	Parts No.	Fig. No.	Ref. No.
119836-77721	17	5	124250-03640	13	106	22242-000120	5	39	26106-060122	8	15
119836-77730	17	6	124450-35110	10	18	22242-000200	8	14	26106-060162	2	7
119836-77741	17	7		18	16	22252-000210	9	25		8	24
119836-77750	17	8	124465-44950	11	28	22272-000040	13	45	26106-060182	2	14
119836-77760	17	9		18	21			92	26106-060202	6	3
119836-77770	17	10	124550-55700	15	15	22351-020004	13	46	26106-060222	3	10
119836-77780	17	11	124550-66370	13	60	22351-030014	13	47	26106-060302	2	8
119836-77790	17	15	124700-44740	11	17	22351-040010	2	22	26106-060452	3	18
119836-77800	17	16	124701-11911	7	7		13	54	26106-060602	2	9
119836-77810	17	19		18	14	22351-040014	10	10			10
119836-77820	17	20	124772-66750	13	93	22351-060012	5	20	26106-060702	13	99
119836-77830	17	21	124950-11340	5	17	22360-040000	13	96	26106-060802	2	11
119836-77840	17	17		18	6	22360-060000	13	97	26106-080142	5	2
119836-77850	17	3	124950-66590	13	66	22451-060000	13	104			3
119836-77860	17	18	129100-01580	3	1	22512-040120	8	8	26106-080182	17	26
119836-77871	17	12		9	2			20	26106-080202	10	29
119836-77880	17	13	129100-61460	13	63	23000-060000	6	14		11	22
119836-77890	17	14	129100-61930	13	57	23065-120500	4	1	26106-080402	7	4
119865-21600	9	15	129150-35340	10	23	23414-080012	15	24	26106-080452	5	42
119865-35320	10	21	129150-35350	10	27	23414-140000	14	39		11	14
119865-35330	10	22	129150-59120	14	17		18	23	26106-081052	17	23
119865-35350	10	26	129150-59130	14	20	23418-060000	15	19	26116-050102	13	100
121023-01550	2	12	129155-51280	13	14	23871-010000	1	10	26116-080702	15	21
121024-12660	6	5	129155-61480	13	21	23871-030000	11	11	26116-120252	16	49
121111-21501	9	11	129155-61530	13	41	24101-062034	8	23	26206-100252	3	5
121120-01620	3	3	129155-61570	13	70	24102-063034	8	21	26216-060162	2	33
121120-77930	16	15	129155-61580	13	71	24311-000120	2	6	26216-080222	7	5
121250-44901	11	27	129155-61590	13	72		4	17	26216-080552	7	6
121250-55620	15	14	129155-61830	14	16		10	31	26366-060002	2	34
121254-55510	15	11		18	26		18	24	26366-080002	5	43
121450-01560	2	21	129156-61600	13	73	24311-000160	10	28		6	16
121450-42450	11	26	129350-49530	11	19		18	25	26450-060202	10	12
121465-12510	6	7	129350-49541	11	20	24311-000320	2	16	26557-050102	4	15
121465-12700	6	6		18	19		4	19	26577-060122	11	12
121520-01851	2	25	129350-49800	11	21		18	4	26587-040102	12	46
	18	20	129400-92410	18	28			10	26587-080102	8	25
121520-34810	10	14	129555-61800	13	74	24311-240100	13	98	26756-050002	13	67
121575-66830	13	94	129795-77800	5	23		15	20	26756-060002	5	34
121850-11860	5	9	135210-61090	13	103	24341-000070	13	55			38
124060-59380	15	5	171059-55600	15	7	24341-000240	2	13	26979-050162	5	40
124064-12680	6	8	171301-01640	3	12		3	14	27221-050080	5	10
124064-12690	6	9	174307-51700	13	28		18	27	27231-450000	1	11
124066-59100	14	34	194990-22050	2	30	26014-060162	11	18	27241-120000	1	12
124085-02220	3	9		7	3	26014-060202	2	32	27241-300000	1	13
124160-01751	2	15		13	105	26014-080202	6	15	27241-400000	5	11
	4	18	22117-040000	13	44	26022-040082	12	45	27310-070001	5	15 -1
124160-11340	5	16	22117-050000	13	91	26106-060102	10	32	43400-500390	15	6
	18	7	22137-040000	12	43		13	56	43400-500400	13	101
124160-11360	4	16	22217-040000	12	44	26106-060122	1	23			102
124160-39450	10	33	22217-050000	4	13		3	17			

## Parts No. Index

Parts No.	Fig. No.	Ref. No.
719600-22540	9	35
719600-22820	9	33
719610-01560	1	1
719620-02800	1	14
719620-02870	1	24
719620-02930	1	17
719620-11650	5	31
719620-11660	5	35
719620-22500	9	18
719620-23100	9	26
719620-23600	9	41
719620-23610	9	40
719621-51100	12	1
719631-01540	3	11
719641-92600	18	1
719660-11700	5	4
719660-14590	8	16
719660-21700	9	1
X0280210230	16	8
X0280630011	16	2
X0281003751	16	3
X0282001531	16	4
X0283005050	16	7
X0283060061	16	16
X0283270140	16	9
X0283711420	16	17
X0283715030	16	10
X0283810040	16	11
X0284004910	16	18
X0285040631	16	19
X0285100460	16	20
X0534006460	16	22
X0534040320	16	23
X0534490120	16	24
		25
X0534490230	16	26
		27
X0535050620	16	28
X0535130241	16	29
X0535130320	16	30
X0536600401	16	31
X9019008651	16	41
X9025808001	16	42
X9151005141	16	32
X9490071810	16	43
X9490071970	16	44
X9490170900	16	33
		34
X9490423330	16	45
X9490441303	16	35

Parts No.	Fig. No.	Ref. No.
X9490441312	16	36
X9490502820	16	37
		38
X9490561370	16	46
X9490721080	16	12
X9491001360	16	5
X9491001860	16	6
X9491200240	16	47
X9491402100	16	39
		40
X9491703371	16	13
X9491703380	16	48
X9491704260	16	14
X9491730461	16	21

Parts No.	Fig. No.	Ref. No.
-----------	----------	----------

Parts No.	Fig. No.	Ref. No.
-----------	----------	----------