

0CV10-M36703EN

P R E F A C E

1. This Parts Catalog carries all parts incorporated in YANMAR Model 3TNA72E-HP engine manufactured since February, 1989.

2. Each illustration corresponds to the parts list on the following page.

3. When ordering parts, clearly write down the engine model and serial number, as well as the name and number of each part in your order sheet. This will help insure reliable delivery of the parts you have ordered.

4. Pub. No. 000Y00R3670 First Published : February, 1989.
 Pub. No. 000Y00V3671 First Revised : October, 1990.
 Pub. No. 000Y00V3672 Second Revised : October, 1991.
 Pub. No. 000Y00V3673 Third Revised : November, 1992.

Directions for the Parts Catalog.

1. This Parts Catalog shows both standard and optional parts.
2. Parts may change without prior notice.
3. The following is an example of the Parts Catalog format.

REF.	LEV.	PARTS NO.	DESCRIPTION	Q'TY						I	R
				(A)	(B)	(C)	(D)	(E)	(F)		
1	1	729595-51390	FUEL INJECTION PUMP	1	1	1	1	1			1
1-1	1	729595-51391	FUEL INJECTION PUMP	1	1	1	1	1		N	1
		(A=E00185) (B=E00200)									
3	2	26022-060162	SCREW M 6X 16	9	9	9	9	9			
3-1	2	26022-060162	SCREW M 6X 16	4	4	4	4	4		K	
		(A=E00156) (B=E00156) (C=E00156) (D=E00156) (E=E00156)									
4	2	129470-51040	CAMSHAFT	1	1	1	1	1			
5	2	122710-51050	BEARING, ROLLER	2	2	2	2	2			
6	2	129470-51060	RETAINER	1	1	1	1	1			

Remarks
(1) BOOST COMPEMSATOR TYPE. OPTIONAL PART, TO E00155,(4JH-DT, 4JH-DTZ

① Ref. No.

The Ref. No. listed may not be in accordance with the illustration Ref. No.

(Ex.) Illustration No.

List Ref No.

1 1 (Before change) → 1-1 (After change)

For interchangeable symbols N, R and K, illustrations for new parts may be abbreviated.

② Lev. (Level)

Level indication

The numbers below indicate the level of relativity towards the main part.

1 ---- Main parts (Assembly parts)

2 ---- Sub component included in " 1 ".

3 ---- Sub component included in " 2 ".

Note) Parts that are not for sale are partially illustrated but not listed.

③ Interchangeability Symbol

When a part change takes place, one of the following interchangeability symbols is indicated beside the part.

Symbol	Interchangeability	Contents note
N	Old $\begin{matrix} \leftarrow \text{Yes} \\ \text{No} \rightarrow \end{matrix}$ New	New Part is interchangeable for Old Part but Old Part is not interchangeable for New Part.
Q	Old $\begin{matrix} \leftarrow \text{No} \\ \text{Yes} \rightarrow \end{matrix}$ New	New Part is not interchangeable for Old Part but Old Part is interchangeable for New Part.
R	Old $\begin{matrix} \leftarrow \text{Yes} \\ \text{Yes} \rightarrow \end{matrix}$ New	New/ Old Parts are both interchangeable.
S	Old $\begin{matrix} \leftarrow \text{No} \\ \text{No} \rightarrow \end{matrix}$ New	New/ Old Parts are both not interchangeable.
W		Part newly added.
Z		Part discontinued.
F		Not interchangeable by a single part but interchangeable together with related parts.
K		Changes only for used parts quantities.

④ Effective Machine No.

When a part changes, the effective Machine No. will be indicated in the (A)-(F) column.

Product Symbol	Product No.	Product Symbol	Product No.
C	Clutch No. Compressor No.	F	Machine No. (Agricultural Equip.)
D	Drive No.	M	Machine No.
E	Engine No.		

Note 1) A date may follow the symbol. (Ex.) 1996.01

Note 2) "XXXXX" and "ZZZZZ" are for parts that could not be predicted or for engine models that could not be identified.

Note 3) (A=E00185) is the E (Engine Serial Number) for the column (A) model (in this case 4JH-DT) after the parts design change.

⑤ Remarks

Figures or alphabets (symbols) are entered in the remarks column.

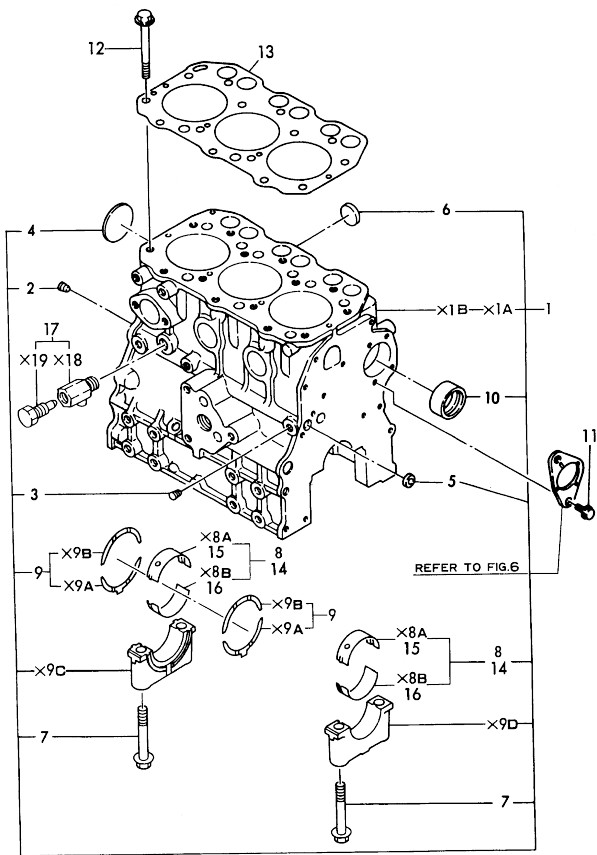
The comments (remarks) on parts that are indicated at the bottom of the illustration are the same symbols as those stated above.

Contents

Fig. No.	Fig. Name	Fig. No.	Fig. Name
3TNA72E-HP			
1.	CYLINDER BLOCK		
2.	GEAR HOUSING		
3.	MOUNTING FLANGE & OIL SUMP		
4.	CYLINDER HEAD & BONNET		
5.	SUCTION & EXHAUST MANIFOLD		
6.	CAMSHAFT & DRIVING GEAR		
7.	CRANKSHAFT & PISTON		
8.	LUB.OIL SYSTEM		
9.	COOLING WATER SYSTEM		
10.	FUEL INJECTION PUMP		
11.	FUEL LINE		
12.	GOVERNOR		
13.	ENGINE STOP DEVICE		
14.	STARTING MOTOR		
15.	GENERATOR		
16.	GASKET SET & TOOL(OPTIONAL)		

Fig.1. CYLINDER BLOCK

Fig. 1 CYLINDER BLOCK

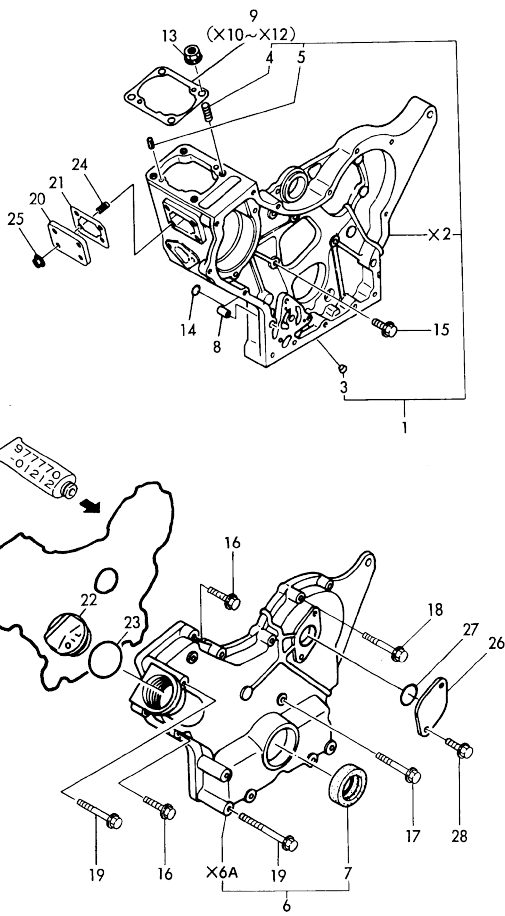


Remarks
(1) UNDER-SIZED(U.S=0.25) PART.

No.	Lev.	Parts No.	Description	Q'ty						I	R
				(A)	(B)	(C)	(D)	(E)	(F)		
1	1	719610-01560	BLOCK ASSY, CYLINDER	1							
2	3	119600-01050	PLUG, PT1/4	1							
3	3	23871-010000	PLUG, R01	1							
4	3	27231-450000	PLUG 45	1							
5	3	27241-120000	PLUG, 12	1							
6	3	27241-300000	PLUG 30	6							
7	3	119620-02020	BOLT, METAL CAP	8							
8	2	719620-02800	BEARING, MAIN	4							
8-1	2	119620-02800	BEARING, MAIN	4							R
(A=FROM 1ST)											
9	2	719620-02930	BEARING, THRUST	2							
9-1	2	119620-02930	BEARING, THRUST	2							R
(A=FROM 1ST)											
10	2	119620-02410	BUSH, CAMSHAFT	1							
11	1	26106-060122	BOLT, M6X 12 PLATED	2							
12	1	119620-01200	BOLT, HEAD	14							
13	1	119610-01340	GASKET, HEAD	1							
14	1	719620-02870	BEARING, 0.25 US	4							1
14-1	1	119620-02870	BEARING, 0.25 US	4							R 1
(A=FROM 1ST)											
17	1	119620-49290	COCK ASSY, 1/4	1							

Fig.2. GEAR HOUSING

Fig.2 GEAR HOUSING

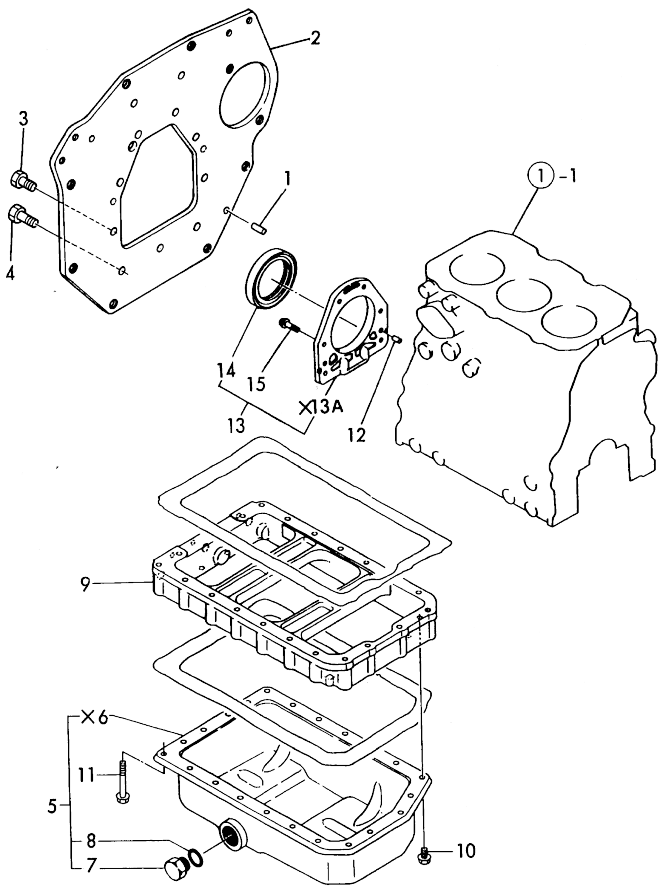


No.	Lev.	Parts No.	Description	Qty						I	R	
				(A)	(B)	(C)	(D)	(E)	(F)			
1	1	119610-01490	CASE ASSY, GEAR	1								
3	2	119660-01510	PLUG, 10X14	1								
4	2	121450-01560	STUD, M8X22	4								
5	2	22351-040010	PIN, SPRING 4.0X10	2								
6	1	119610-01590	COVER ASSY,GEAR CASE	1								W
(A=E000)												
7	2	119620-01800	SEAL, OIL	1								
8	1	119660-01911	PIPE, KNOCK	4								
9	1	119620-01950	SHIM SET, ADJUSTING	1								
13	1	194990-22050	NUT, M8	4								
14	1	24311-000120	O-RING, 1AP12.0	2								
15	1	26106-060162	BOLT, M6X 16 PLATED	7								
16	1	26106-060302	BOLT, M6X 30 PLATED	8								
17	1	26106-060602	BOLT, M6X 60 PLATED	1								
18	1	26106-060602	BOLT, M6X 60 PLATED	3								
19	1	26106-060802	BOLT, M6X 80 PLATED	6								
20	1	119660-01551	COVER	1								
21	1	119660-01561	GASKET	1								
21-1	1	119660-01562	GASKET	1								R
(A=E# 41360)												
22	1	124160-01751	COVER, FILLER	1								
23	1	24311-000320	O-RING, 1AP32.0	1								
24	1	26216-060162	STUD, M6X 16	4								
24-1	1	119660-01570	STUD, M6X12	4								N
(A=E000)												
25	1	26366-060002	NUT, M6	4								
26	1	121023-01550	COVER	1								
27	1	24341-000240	O-RING, 1AS24.0	1								
28	1	26106-060182	BOLT, M6X 18 PLATED	2								

N:Old $\frac{100}{100}$ New, Q:Old $\frac{100}{100}$ New, R:Old $\frac{100}{100}$ New, S:Old $\frac{100}{100}$ New, W:Add, Z:Discontinued, F:Interchangeable by set, K:Qty Change
 Copyright (C) YANMAR CO., LTD. All Rights Reserved.

Fig.3. MOUNTING FLANGE & OIL SUMP

Fig. **3** MOUNTING FLANGE & LUB. OIL SUMP

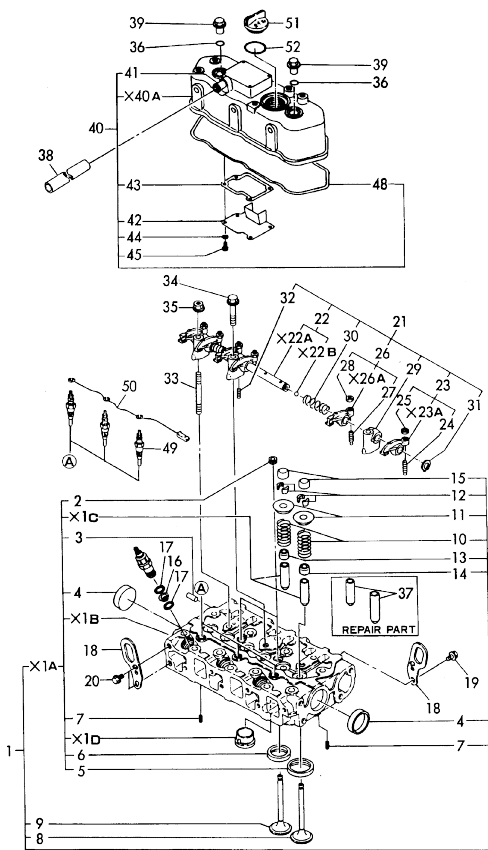


No.	Lev.	Parts No.	Description	Q'ty						I	R
				(A)	(B)	(C)	(D)	(E)	(F)		
1	1	129100-01580	PIN, M8X16	2							
2	1	119629-01600	FLANGE, MOUNTING	1							
3	1	26206-100202	BOLT, M10X 20 PLATED	6							
4	1	26206-100252	BOLT, M10X 25 PLATED	3							
5	1	719600-01541	SUMP ASSY, OIL	1							
5-1	1	119600-01770	SUMP ASSY, OIL	1							R
(A=FROM 1ST)											
7	2	171301-01640	PLUG, 22	1							
8	2	24341-000240	O-RING, 1AS24.0	1							
9	1	119600-01722	SPACER, OIL SUMP	1							
10	1	26106-060122	BOLT, M6X 12 PLATED	3							
11	1	26106-060452	BOLT, M6X 45 PLATED	20							
12	1	119620-01620	PIN, M6X10	2							
13	1	119660-01640	CASE ASSY, OIL SEAL	1							W
(A=EXXX)											
14	2	124085-02220	SEAL, OIL	1							
15	1	26106-060222	BOLT, M6X 22 PLATED	10							

N:Old $\frac{New}{Old}$ New, Q:Old $\frac{New}{Old}$ New, R:Old $\frac{New}{Old}$ New, S:Old $\frac{New}{Old}$ New, W:Add, Z:Discontinued, F:Interchangeable by set, K:Qty Change
 Copyright (C) YANMAR CO., LTD. All Rights Reserved.

Fig.4. CYLINDER HEAD & BONNET

Fig.4 CYLINDER HEAD & BONNET

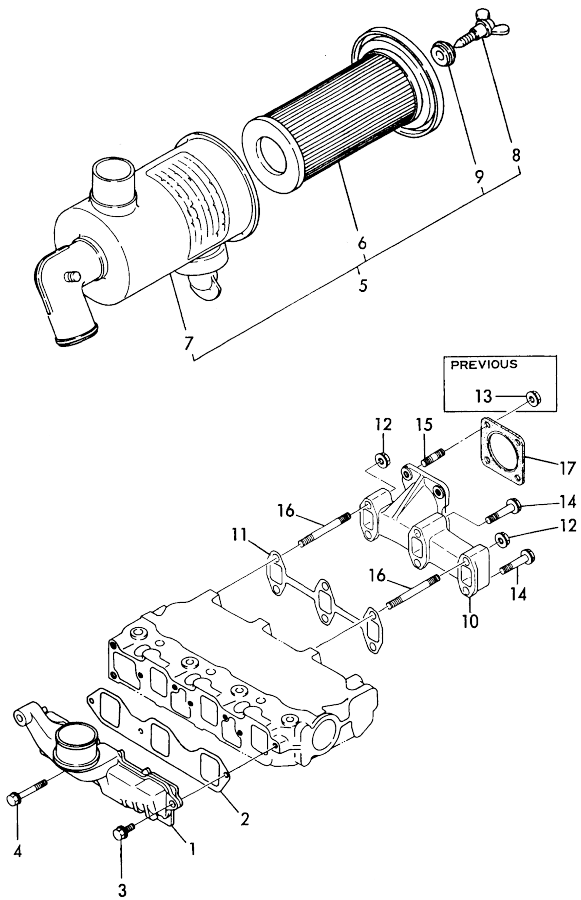


No.	Lev.	Parts No.	Description	Q'ty						I	R
				(A)	(B)	(C)	(D)	(E)	(F)		
1	1	719620-11701	HEAD ASSY, CYLINDER	1							
2	3	121850-11860	PLUG, PT 1/4	2							
3	3	27221-050080	PLUG, 5X 8	1							
4	3	27241-400000	PLUG, 40	2							
5	3	119620-11080	SEAT, INTAKE VALVE	3							
6	3	119620-11090	SEAT, EXHAUST VALVE	3							
7	2	22351-060012	PIN, SPRING 6.0X12	2							
8	2	119620-11100	VALVE, INTAKE	3							
9	2	119620-11110	VALVE, EXHAUST	3							
10	2	119620-11120	SPRING, VALVE	6							
11	2	119620-11180	RETAINER, SPRING	6							
12	2	101158-11190	COTTER	6							
12-1	2	27310-070001	COTTER, 7	6							N
(A=EXXXXX)											
13	2	124950-11340	SEAL, VALVE STEM	3							
14	2	124160-11340	SEAL, VALVE STEM	3							
15	2	104211-11370	CAP, VALVE	6							
16	1	119600-11450	PROTECTOR, NOZZLE	3							
17	1	119600-11460	GASKET, NOZZLE	6							
18	1	119260-07900	LIFTER	2							
19	1	26106-080142	BOLT, M8X 14 PLATED	1							
20	1	26106-080142	BOLT, M8X 14 PLATED	2							
21	1	119620-11200	SUPPORT ASSY, ARM	1							
22	2	119620-11240	SHAFT ASSY, ROCKER	1							
23	2	719620-11650	ARM ASSY, ROCKER	3							
24	3	105010-11230	SCREW, VALVE ADJUST	3							
25	3	26756-060002	NUT, LOCK M6	3							
26	2	719620-11660	ARM ASSY, ROCKER	3							
27	3	105010-11230	SCREW, VALVE ADJUST	3							
28	3	26756-060002	NUT, LOCK M6	3							
29	2	119620-11260	SUPPORT, ROCKER ARM	3							
30	2	119620-11280	SPRING	2							
31	2	22242-000120	RING, 12	2							
32	2	26979-050162	SCREW, M5X16	1							
33	1	119620-11350	STUD	2							
34	1	26106-080452	BOLT, M8X 45 PLATED	1							
35	1	26366-080002	NUT, M8	2							
36	1	24311-000120	O-RING, 1AP12.0	2							
37	1	119620-11801	GUIDE, VALVE	6							1
38	1	23065-120500	PIPE, 12X 500	1							
39	1	124160-11360	KNOB	2							
40	1	719620-11520	BONNET ASSY, HEAD	1							
40-1	1	719620-11523	BONNET ASSY, HEAD	1							N
(A=E/# 41360)											
40-2	1	119620-11330	BONNET ASSY, HEAD	1							R
(A=E/# 41360)											
41	2	119620-11390	JOINT	1							
42	2	119620-03020	PLATE, SHELTER	1							
43	2	119620-03030	GASKET	1							
43-1	2	119620-03031	GASKET	1							N
(A=E/# 41360)											

Remarks
(1) REPAIR PART.

Fig.5. SUCTION & EXHAUST MANIFOLD

Fig. 5 SUCTION & EXHAUST MANIFOLD

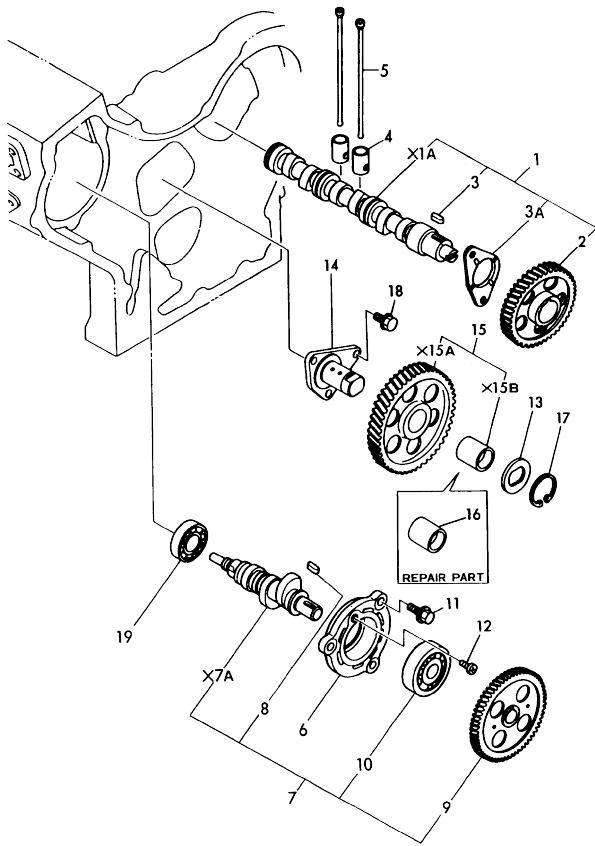


No.	Lev.	Parts No.	Description	Q'ty						I	R
				(A)	(B)	(C)	(D)	(E)	(F)		
1	1	119621-12100	MANIFOLD, AIR INTAKE	1							
2	1	119660-12111	GASKET, MANIFOLD	1							
3	1	26106-060162	BOLT, M6X 16 PLATED	2							
4	1	26106-060452	BOLT, M6X 45 PLATED	1							
5	1	119688-12500	CLEANER ASSY, AIR	1							
6	2	119860-12510	ELEMENT	1							
7	2	119688-12540	CASE ASSY, CLEANER	1							
8	2	119860-12550	BOLT	1							
9	2	119860-12560	WASHER, SEAL	1							
10	1	119600-13100	MANIFOLD, EXHAUST	1							
11	1	119620-13110	GASKET	1							
12	1	194990-22050	NUT, M8	2							
13	1	194990-22050	NUT, M8	4							Z
(A=EXXX)											
14	1	26106-080402	BOLT, M8X 40 PLATED	4							
15	1	26216-080222	STUD, M8X 22	4							
16	1	26216-080552	STUD, M8X 55	2							
17	1	124701-11910	GASKET, SILENCER	1							
17-1	1	124701-11911	GASKET, SILENCER	1							N
(A=E# 41360)											

N:Old $\frac{100}{100}$ New, Q:Old $\frac{100}{100}$ New, R:Old $\frac{100}{100}$ New, S:Old $\frac{100}{100}$ New, W:Add, Z:Discontinued, F:Interchangeable by set, K:Qty Change
 Copyright (C) YANMAR CO., LTD. All Rights Reserved.

Fig.6. CAMSHAFT & DRIVING GEAR

Fig.6 CAMSHAFT & DRIVING GEAR

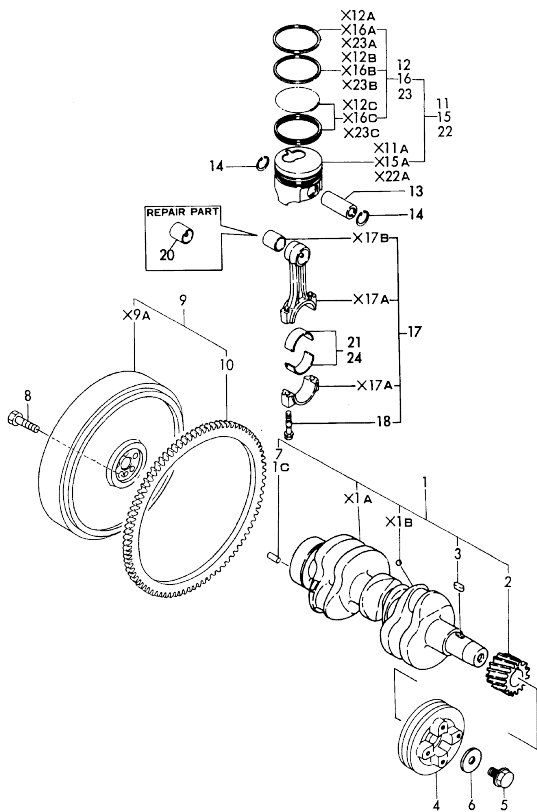


No.	Lev.	Parts No.	Description	Q'ty						I	R
				(A)	(B)	(C)	(D)	(E)	(F)		
1	1	119629-14580	CAMSHAFT ASSY	1							W
		(A=E# 62046)									
2	2	119620-14100	GEAR, CAMSHAFT	1							
3	2	22512-040120	KEY, 4X 12	1							
3A	2	119620-02450	BEARING, THRUST	1							
4	1	119620-14200	TAPPET	6							
5	1	119620-14400	ROD, PUSH	6							
5-1	1	119620-14401	ROD, PUSH	6							N
		(A=E# 62046)									
6	1	119660-01821	BEARING, FUEL CAM	1							
7	1	719660-14590	CAMSHAFT	1							W
		(A=E# 62046)									
8	2	22512-040120	KEY, 4X 12	1							
9	2	119660-25902	GEAR, PUMP	1							
10	2	24102-063034	BEARING, BALL 6303U	1							
11	1	26106-060162	BOLT, M6X 16 PLATED	3							
12	1	26587-080102	SCREW, M8X10	1							
13	1	119660-25022	RETAINER	1							
14	1	119660-25052	SHAFT, IDLE	1							
15	1	119620-25102	GEAR ASSY, IDLE	1							
16	1	119620-25912	BUSH	1							1
17	1	22242-000200	RING, 20	1							
18	1	26106-060122	BOLT, M6X 12 PLATED	3							
19	1	24101-062034	BEARING, BALL 6203	1							

Remarks
(1) REPAIR PART.

Fig.7. CRANKSHAFT & PISTON

Fig.7 CRANKSHAFT & PISTON



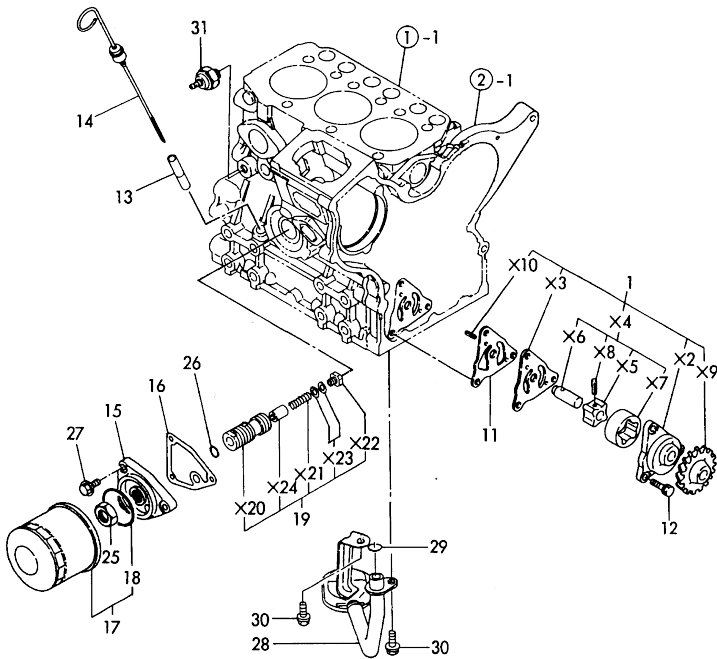
No.	Lev.	Parts No.	Description	Qty						I	R
				(A)	(B)	(C)	(D)	(E)	(F)		
1	1	719660-21701	CRANKSHAFT ASSY	1							
1-1	1	719660-21700	CRANKSHAFT ASSY	1							N
(A=FROM 1ST)											
1C	2	129100-01580	PIN, M8X16		1						W
(A=FROM 1ST)											
2	2	119660-21201	GEAR, CRANKSHAFT		1						
3	2	22512-040120	KEY, 4X 12		1						
4	1	119660-21651	V-PULLEY		1						
5	1	119621-21680	BOLT, FLANGE 12X1.25		1						
6	1	119620-21941	WASHER		1						
7	1	129100-01580	PIN, M8X16		1						Z
(A=FROM 1ST)											
8	1	121111-21501	BOLT, FLYWHEEL		5						
9	1	119600-21580	FLYWHEEL ASSY		1						
10	2	119865-21600	GEAR, RING		1						
11	1	119620-22090	PISTON ASSY		3						
12	2	719620-22501	RING SET, PISTON		3						
12-1	2	719620-22500	RING SET, PISTON		3						R
(A=FROM 1ST)											
13	1	119620-22300	PIN, PISTON		3						
14	1	22252-000210	RING, 21		6						
15	1	719620-22820	PISTON ASSY, 0.25 OS		3						1
15-1	1	119620-22900	PISTON ASSY, 0.25 OS		3						N 1
(A=FROM 1ST)											
16	2	719620-22540	RING SET, 0.25 OS		3						1
16-1	2	119620-22950	RING SET, 0.25 OS		3						N 1
(A=FROM 1ST)											
17	1	719620-23100	ROD ASSY, CONNECTING		3						
18	2	105225-23200	BOLT, CONNECTING ROD		6						
20	1	119620-23910	BEARING, PISTON PIN		3						2
21	1	719620-23610	BEARING ASSY, 0.25		3						3
22	1	119620-22920	PISTON ASSY, 0.50 OS		3						4
23	2	119620-22970	RING SET, 0.50 OS		3						4
24	1	719620-23600	BEARING, CRANK PIN		3						

Remarks

- (1) OVER-SIZED(O.S=0.25) PART.
- (2) REPAIR PART.
- (3) UNDER-SIZED(U.S=0.25) PART.
- (4) OVER-SIZED(O.S=0.5)PART.

Fig.8. LUB.OIL SYSTEM

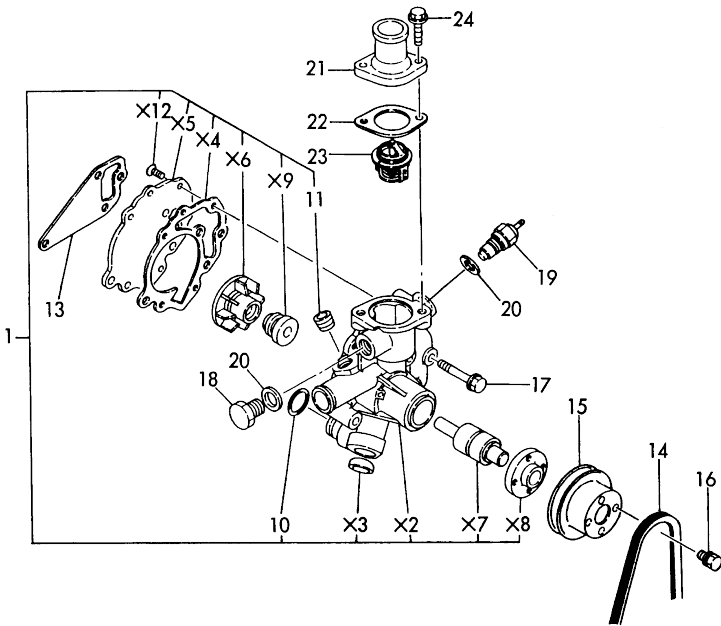
Fig. 8 LUB. OIL SYSTEM



No.	Lev.	Parts No.	Description	Q'ty						I	R
				(A)	(B)	(C)	(D)	(E)	(F)		
1	1	119660-32001	PUMP ASSY, OIL	1							
11	1	119660-32020	GASKET, PUMP	1							
12	1	26450-060202	BOLT, M6X 20	3							
13	1	121520-34810	GUIDE, DIPSTICK	1							
14	1	119600-34820	DIPSTICK, OIL	1							
15	1	119660-35102	BRACKET, FILTER	1							
16	1	119660-35112	GASKET	1							
16-1	1	119660-35113	GASKET	1							R
(A=E# 41360)											
17	1	119660-35150	FILTER, LUB. OIL	1							
18	2	124450-35110	O-RING	1							
19	1	119660-35300	VALVE ASSY, CONTROL	1							
25	1	129150-35350	NUT	1							
26	1	24311-000160	O-RING, 1AP16.0	1							
27	1	26106-080202	BOLT, M8X 20 PLATED	3							
28	1	119600-35091	PIPE ASSY, OIL INLET	1							
29	1	24311-000120	O-RING, 1AP12.0	1							
30	1	26106-060102	BOLT, M6X 10 PLATED	2							
31	1	124160-39450	SWITCH, 0.5KG	1							

Fig.9. COOLING WATER SYSTEM

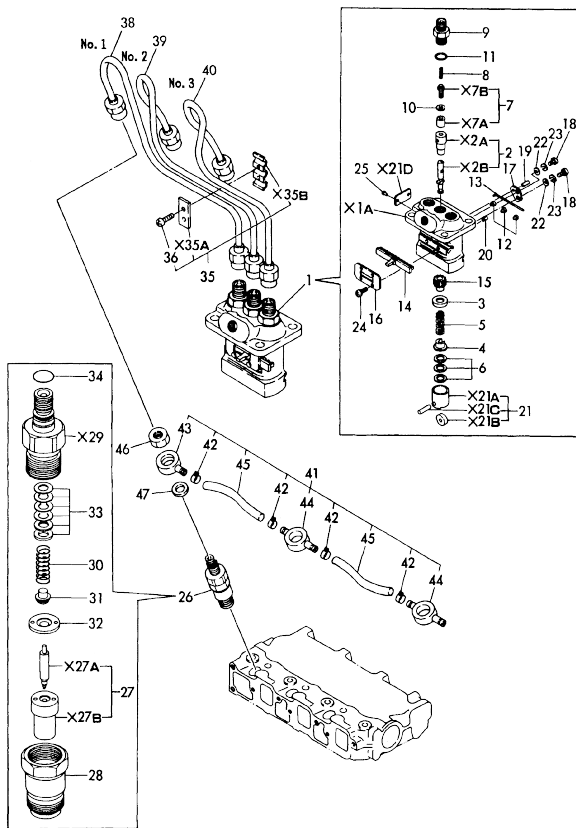
Fig. 9 COOLING WATER SYSTEM



No.	Lev.	Parts No.	Description	Q'ty						I	R
				(A)	(B)	(C)	(D)	(E)	(F)		
1	1	119660-42003	PUMP ASSY, WATER	1							
1-1	1	119660-42004	PUMP ASSY, WATER	1							R
(A=E/# 41360)											
10	2	119620-42320	O-RING	1							
11	2	23871-030000	PLUG, R03	1							
13	1	119620-42020	GASKET, WATER PUMP	1							
14	1	119656-42290	V-BELT, FM35.5	1							
15	1	119660-42350	V-PULLEY	1							
16	1	26014-060162	BOLT, M6X 16	4							
17	1	26106-080452	BOLT, M8X 45 PLATED	4							
18	1	121450-42450	PLUG, M16	1							
19	1	121250-44901	SWITCH, 110	1							
20	1	124465-44950	GASKET, 16	2							
21	1	129350-49530	COVER, THERMOSTAT	1							
22	1	129350-49540	GASKET	1							
22-1	1	129350-49541	GASKET	1							R
(A=E/# 41360)											
23	1	129350-49800	THERMOSTAT, 71	1							
24	1	26106-080202	BOLT, M8X 20 PLATED	2							

Fig.10. FUEL INJECTION PUMP

Fig. 10 FUEL INJECTION PUMP



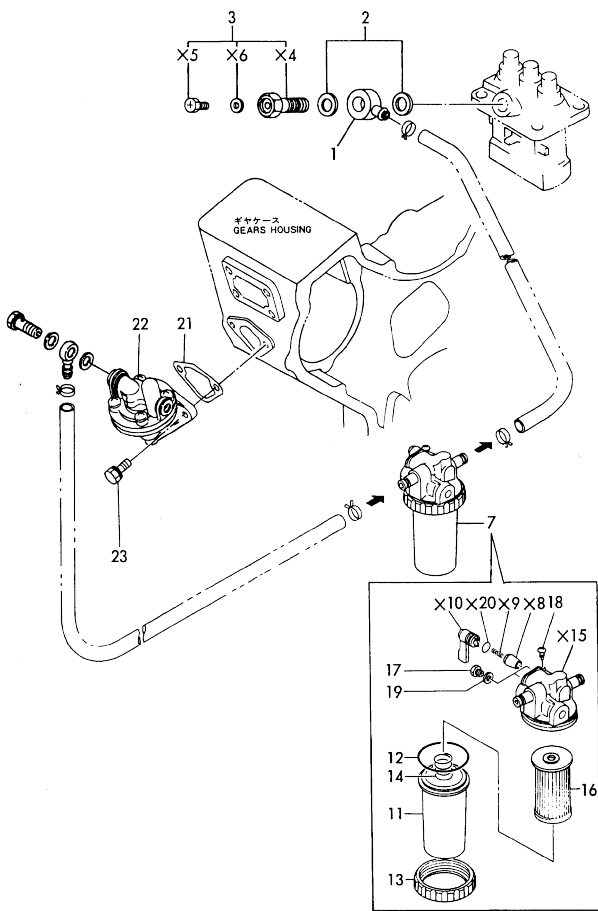
No.	Lev.	Parts No.	Description	Q'ty						I	R
				(A)	(B)	(C)	(D)	(E)	(F)		
1-1	1	719621-51700	PUMP ASSY, INJECTION	1							
2	2	119620-51101	PLUNGER ASSY	3							
3	2	119620-51170	RETAINER, SPRING A	3							
4	2	119620-51180	RETAINER, SPRING B	3							
5	2	119620-51190	SPRING, PLUNGER	3							
6	2	119620-51250	SHIM SET	3							
7	2	119620-51300	VALVE ASSY, DELIVERY	3							
8	2	105546-51330	SPRING, DELIVERY	3							
9	2	119620-51340	HOLDER, DELIVERY	3							
10	2	119620-51350	GASKET	3							
11	2	119620-51370	O-RING	3							
12	2	119620-51450	PIECE	3							
13	2	119620-51461	PIN	1							
14	2	119660-51500	RACK, CONTROL	1							
15	2	119620-51510	PINION	3							
16	2	119660-51530	RETAINER, RACK	1							
17	2	119620-51650	PLATE	2							
18	2	119620-51660	SCREW	2							
19	2	119620-51670	PIN	2							
20	2	119620-51680	PIN	1							
21	2	119620-51700	TAPPET ASSY	3							
22	2	22137-040000	WASHER, 4	2							
23	2	22217-040000	WASHER, SPRING 4	2							
24	2	26022-040082	SCREW, M4X 8	4							
25	2	26587-040102	SCREW, M4X10	2							
26	1	719620-53100	VALVE ASSY, INJECTION	3							
27	2	119620-53000	VALVE ASSY, INJECTION	3							
28	2	119620-53080	NUT, NOZZLE	3							
30	2	119620-53120	SPRING, NOZZLE	3							
31	2	114250-53130	SEAT, SPRING	3							
32	2	119620-53140	SPACER, VALVE STOP	3							
33	2	114250-53400	SHIM SET	3							
34	2	129155-61830	O-RING, S10	3							
35	1	129150-59120	RETAINER, PIPE	1							
36	2	129150-59130	BOLT, M4X12	2							
38	2	119620-59811	PIPE ASSY, INJECTION	1							
39	2	119620-59821	PIPE ASSY, INJECTION	1							
40	2	119620-59831	PIPE ASSY, INJECTION	1							
41	1	119620-59840	PIPE ASSY, FUEL	1							
42	2	124066-59100	CLIP, HOSE 8	4							
43	2	119260-59520	JOINT	1							
44	2	119260-59530	JOINT	2							
45	2	105025-59550	PIPE, FUEL RETURN	2							
46	1	119620-59700	NUT, NOZZLE	3							
47	1	23414-140000	GASKET, 14X1.0	3							

Remarks
(M) MISPRINT.

N:Old $\frac{100}{100}$ New, Q:Old $\frac{100}{100}$ New, R:Old $\frac{100}{100}$ New, S:Old $\frac{100}{100}$ New, W:Add, Z:Discontinued, F:Interchangeable by set, K:Q'ty Change
Copyright (C) YANMAR CO., LTD. All Rights Reserved.

Fig.11. FUEL LINE

Fig. 11 FUEL LINE

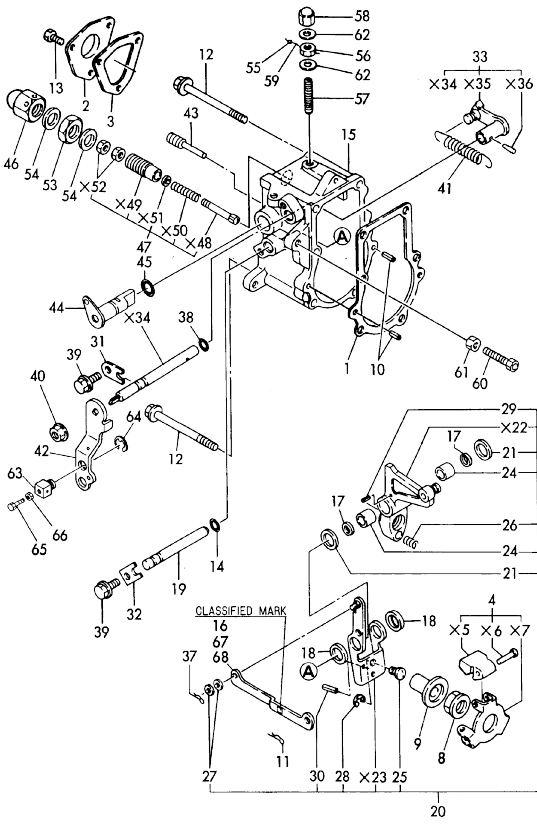


No.	Lev.	Parts No.	Description	Q'ty						I	R
				(A)	(B)	(C)	(D)	(E)	(F)		
1	1	101304-59020	JOINT, PIPE 12	1							
2	1	104200-59170	GASKET, 12	2							
3	1	103854-59191	BOLT ASSY, JOINT M12	1							
7	1	121254-55600	STRAINER ASSY, FUEL	1							
11	2	121254-55510	COVER	1							
12	2	102103-55520	O-RING	1							
13	2	110250-55610	RING, RETAINING	1							
14	2	121250-55620	SPRING	1							
16	2	124550-55700	FILTER, FUEL L=90	1							
17	2	101720-55750	PLUG, 6	2							
18	2	104200-55750	SCREW, M4	1							
19	2	23418-060000	GASKET, 6X1.0	2							
21	1	121520-01850	GASKET	1							
21-1	1	121520-01851	GASKET	1							R
(A=E/# 41360)											
22	1	119600-52021	PUMP ASSY, FUEL FEED	1							
23	1	26014-060202	BOLT, M6X 20	2							

N:Old $\frac{100}{100}$ New, Q:Old $\frac{100}{100}$ New, R:Old $\frac{100}{100}$ New, S:Old $\frac{100}{100}$ New, W:Add, Z:Discontinued, F:Interchangeable by set, K:Q'ty Change
 Copyright (C) YANMAR CO., LTD. All Rights Reserved.

Fig.12. GOVERNOR

Fig. 12 GOVERNOR



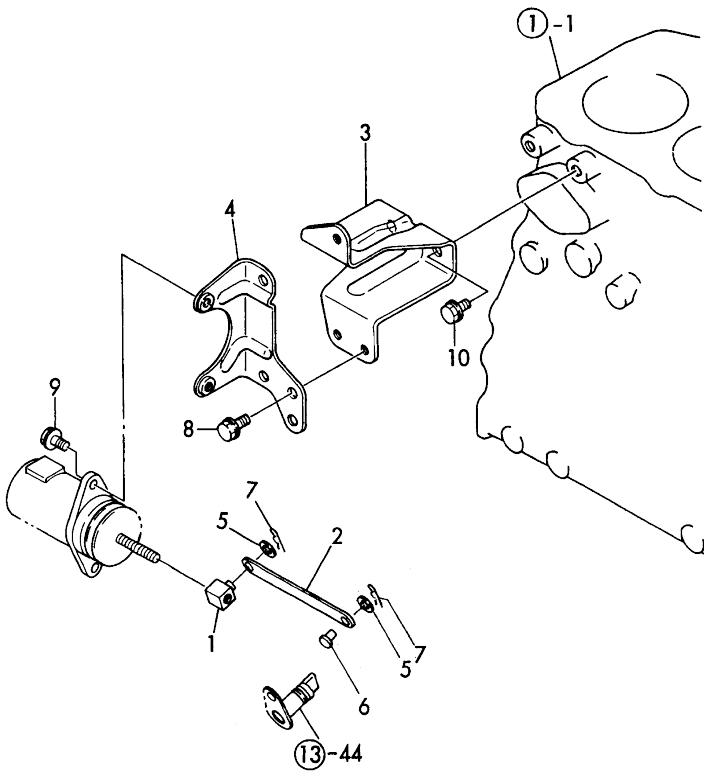
No.	Lev.	Parts No.	Description	Q'ty						I	R
				(A)	(B)	(C)	(D)	(E)	(F)		
1	1	119660-61051	GASKET	1							
1-1	1	119660-61052	GASKET	1							R
(A=E# 41360)											
2	1	119660-61060	COVER, GOVERNOR CASE	1							
3	1	119660-61070	GASKET	1							
3-1	1	119660-61071	GASKET	1							R
(A=E# 41360)											
4	1	119600-61200	WEIGHT ASSY,GOVERNOR	1							
8	1	119660-61300	NUT	1							
9	1	119660-61341	SLEEVE	1							
10	1	22351-040010	PIN, SPRING 4.0X10	2							
11	1	22360-060000	PIN, SNAP 6	1							
12	1	26106-060702	BOLT, M6X 70 PLATED	6							
13	1	26116-050102	BOLT, M5X 10 PLATED	3							
14	1	129155-51280	O-RING, S6	1							
15	1	119660-61013	CASE, GOVERNOR	1							
16	1	119660-61121	LINK, NO MARK	1							1
17	1	119660-61460	SHIM SET	1							
18	1	129155-61480	SPACER ASSY	2							
19	1	119660-61491	SHAFT	1							
20	1	119600-61500	LEVER ASSY, GOVERNOR	1							
21	2	174307-51700	SHIM SET	2							
24	2	129155-61530	BUSH	2							
25	2	119600-61540	SHIFTER	1							
26	2	119600-61650	SPRING, STARTING	1							
27	2	22117-040000	WASHER, 4	2							
28	2	22272-000040	RING, E- 4	1							
29	2	22351-020004	PIN, SPRING 2.0X 4	1							
30	2	22351-030014	PIN, SPRING 3.0X14	1							
31	1	119600-61900	RETAINER, SHAFT	1							
32	1	119660-61901	RETAINER, SHAFT	1							
33	1	119621-66091	SHAFT ASSY	1							
37	1	22360-040000	PIN, SNAP 4	1							
38	1	24341-000070	O-RING, 1AS7.0	1							
39	1	26106-060102	BOLT, M6X 10 PLATED	2							
40	1	194990-22050	NUT, M8	1							
41	1	119621-66021	SPRING, REGULATOR	1							
42	1	119621-66051	LEVER, REGULATOR	1							
43	1	124250-03640	SCREW	1							
44	1	119643-66560	LEVER, STOP	1							
45	1	24311-240100	O-RING, 1AP10A	1							
46	1	129100-61930	NUT, CAP	1							
47	1	119621-66511	LIMITER ASSY, FUEL	1							
53	1	124772-66750	NUT, LOCK M12	1							
54	1	43400-500450	SEAL WASHER 12	2							
55	1	135210-61090	LEAD	1							
56	1	124550-66370	NUT, M6	1							
57	1	121575-66830	SCREW	1							
58	1	119600-66840	NUT, CAP	1							
59	1	22451-060000	WIRE, 0.6	1							
60	1	26116-060304	BOLT, M6X 30 PLATED	1							

N:Old ^{REV}/_{REV} New. Q:Old ^{REV}/_{REV} New. R:Old ^{REV}/_{REV} New. S:Old ^{REV}/_{REV} New. W:Add. Z:Discontinued. F:Interchangeable by set. K:Q'ty Change
 ++ CONTINUE ++
 Copyright (C) YANMAR CO., LTD. All Rights Reserved.

Remarks
 (1) SELECTIVE PARTS : CERTAIN THE CLASSIFICATION MARK, THEN PLACE YOUR ORDER. (ILLUSTRATION)

Fig.13. ENGINE STOP DEVICE

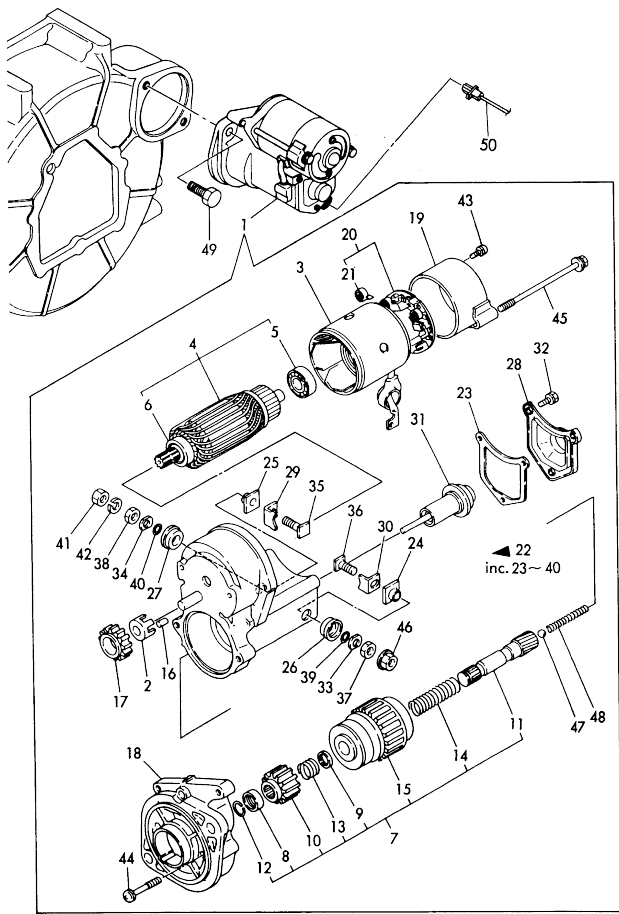
Fig. **13** ENGINE STOP DEVICE



No.	Lev.	Parts No.	Description	Q'ty						I	R
				(A)	(B)	(C)	(D)	(E)	(F)		
1	1	119620-66820	JOINT	1							
2	1	119629-66860	LINK, SOLENOID	1							
3	1	119629-66870	BRACKET, SOLENOID	1							
4	1	119629-66880	BRACKET, SOLENOID	1							
5	1	22117-060000	WASHER, 6	2							
6	1	22272-000050	RING, E- 5	1							
6-1	1	119620-66830	PIN	1							N
(A=FROM 1ST)											
7	1	22360-060000	PIN, SNAP 6	2							
8	1	26106-060102	BOLT, M6X 10 PLATED	3							
9	1	26106-060102	BOLT, M6X 10 PLATED	2							
10	1	26106-080122	BOLT, M8X 12 PLATED	2							

Fig.14. STARTING MOTOR

Fig. 14 STARTING MOTOR

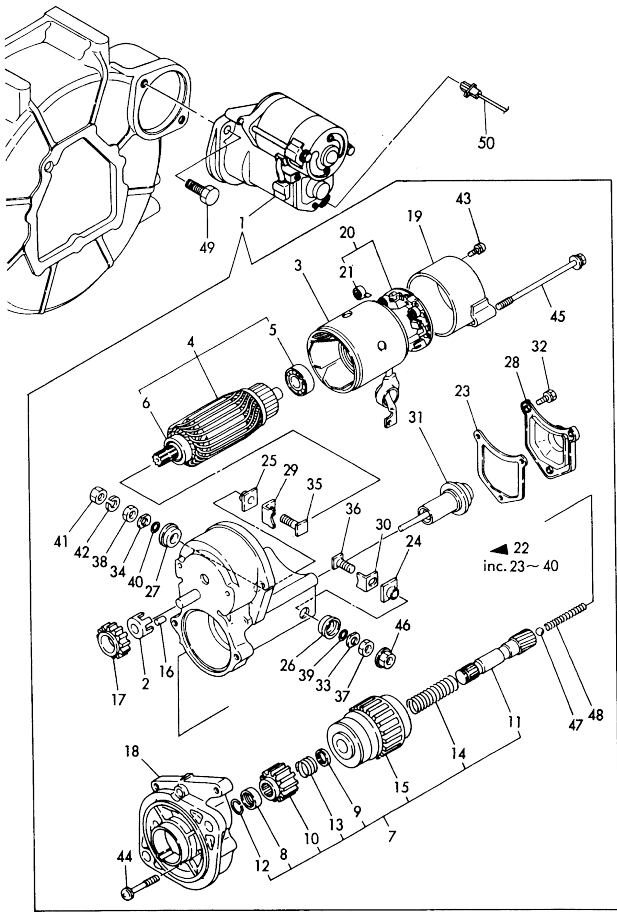


No.	Lev.	Parts No.	Description	Q'ty						I	R
				(A)	(B)	(C)	(D)	(E)	(F)		
1	1	119620-77011	STARTER	1							
1-1	1	124520-77011	STARTER	1							N
(A=FROM 1ST)											
2	2	X0280630011	RETAINER	1							
3	2	X0281003751	YOKE ASSY	1							
4	2	X0282001531	ARMATURE ASSY	1							
5	3	X9491001360	BEARING	1							
6	3	X9491001860	BALL BEARING	1							
7	2	X0283005050	CLUTCH, STARTER	1							
7-1	2	X0280992761	CLUTCH KIT	1							N
(A=FROM 1ST)											
8	3	X0280210230	NUT	1							
9	3	X0283270140	RETAINER	1							
10	3	X0283715030	PINION, STARTER	1							
10-1	3	X0283712350	PINION, STARTER	1							N
(A=FROM 1ST)											
11	3	X0283810040	SHAFT	1							
12	3	X9490721080	RING	1							
13	3	X9491703371	SPRING, COIL	1							
14	3	X9491704260	SPRING	1							
15	3	121120-77930	CASE ASSY, STARTER	1							
16	2	X0283060061	ROLLER	5							
17	2	X0283711420	PINION	1							
18	2	X0284004910	HOUSING, STARTER	1							
19	2	X0285040631	FRAME ASSY	1							
20	2	X0285100460	HOLDER ASSY, BRUSH	1							
21	3	X9491730461	SPRING	4							
22	2	X0534006460	SWITCH, MAGNETIC	1							
23	3	X0534040320	GASKET	1							
24	3	X0534490120	BUSH	1							
25	3	X0534490120	BUSH	1							
26	3	X0534490230	BUSH	1							
27	3	X0534490230	BUSH	1							
28	3	X0535050620	COVER	1							
29	3	X0535130241	PLATE (B)	1							
30	3	X0535130320	PLATE (A)	1							
31	3	X0536600401	PLUNGER	1							
32	3	X9151005141	BOLT W/WASHER	3							
33	3	X9490170900	WASHER	1							
34	3	X9490170900	WASHER	1							
35	3	X9490441303	BOLT	1							
36	3	X9490441312	BOLT	1							
37	3	X9490502820	NUT	1							
38	3	X9490502820	NUT	1							
39	3	X9491402100	O-RING	1							
40	3	X9491402100	O-RING	1							
41	2	X9019008651	NUT	1							
42	2	X9025808001	WASHER	1							
43	2	X9490071810	SCREW W/WASHER	2							
44	2	X9490071970	SCREW W/WASHER	2							
45	2	X9490423330	BOLT W/WASHER	2							

N:Old $\frac{New}{Old}$ New, Q:Old $\frac{New}{Old}$ New, R:Old $\frac{New}{Old}$ New, S:Old $\frac{New}{Old}$ New, W:Add, Z:Discontinued, F:Interchangeable by set, K:Q'ty Change
 ++ CONTINUE ++
 Copyright (C) YANMAR CO., LTD. All Rights Reserved.

Fig.14. STARTING MOTOR

Fig. 14 STARTING MOTOR

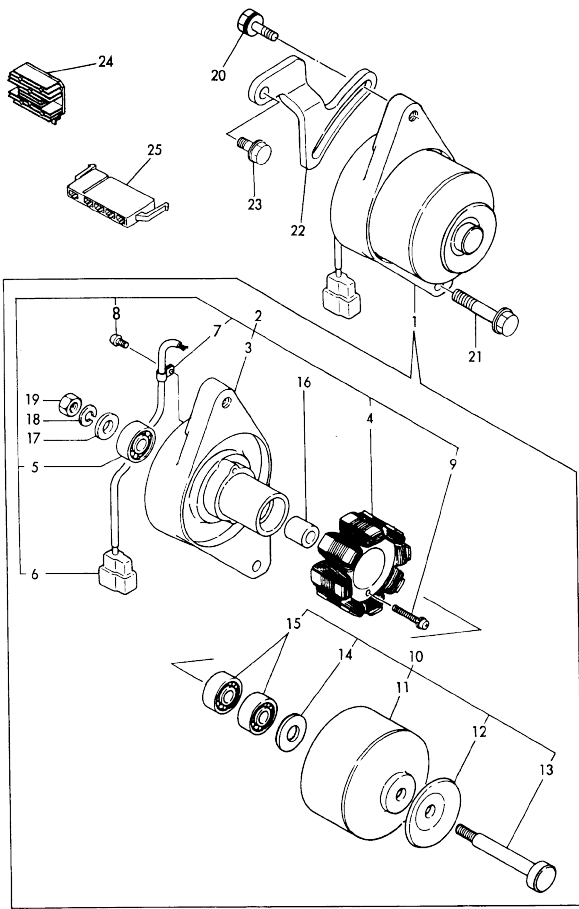


No.	Lev.	Parts No.	Description	Q'ty						I	R
				(A)	(B)	(C)	(D)	(E)	(F)		
46	2	X9490561370	NUT	1							
47	2	X9491200240	BALL	1							
48	2	X9491703380	SPRING	1							
49	1	26116-120252	BOLT, M12X 25 PLATED	2							
50	1	119643-77900	CONNECTOR, STARTER	1							W

(A)=3TNA72E+HP
(B)=
(C)=
(D)=
(E)=
(F)=
(A=E/# 46206)

Fig.15. GENERATOR

Fig. **15** GENERATOR

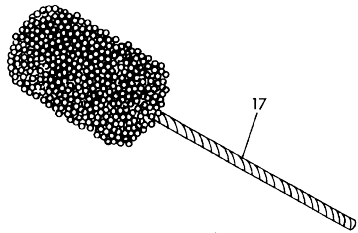
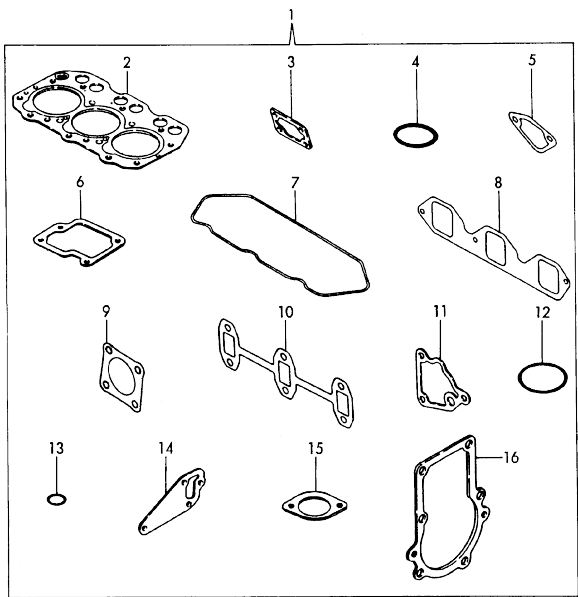


No.	Lev.	Parts No.	Description	Q'ty						I	R
				(A)	(B)	(C)	(D)	(E)	(F)		
1	1	171301-77201	DYNAMO ASSY, 15A	1							
2	2	XM08137	PLATE ASSY	1							
3	3	XM08138	PLATE	1							
4	3	XM08180	STATOR ASSY	1							
5	3	XM27436	BALL BEARING	1							
6	3	XM17878	COUPLER	1							
7	3	XM36410	CLAMP	1							
8	3	26022-040252	SCREW, M4X25	2							
9	3	XYSPS4008	SCREW	1							
10	2	XM82184	FLYWHEEL ASSY	1							
11	3	XM82110	FLYWHEEL	1							
12	3	XM72174	PULLEY	1							
13	3	XM72664	SHAFT	1							
14	3	XM37336	WASHER	1							
15	3	XM27436	BALL BEARING	2							
16	2	106383-44720	SPACER	1							
17	2	106383-44730	WASHER	1							
18	2	22212-100000	SPRING WASHER 10	1							
19	2	26716-100002	NUT, M10	1							
20	1	26014-080252	BOLT, M8X 25	1							
21	1	26106-100402	BOLT, M10X 40 PLATED	1							
22	1	119600-77330	ADJUSTER	1							
23	1	26106-080182	BOLT, M8X 18 PLATED	1							
23-1	1	26106-080162	BOLT, M8X 16 PLATED	1							N
(A)=E00X											
24	1	119660-77710	LIMITER, CURRENT 15A	1							
25	1	171301-77720	COUPLER	1							

N:Old $\frac{100}{100}$ New, Q:Old $\frac{100}{100}$ New, R:Old $\frac{100}{100}$ New, S:Old $\frac{100}{100}$ New, W:Add, Z:Discontinued, F:Interchangeable by set, K:Qty Change
 Copyright (C) YANMAR CO., LTD. All Rights Reserved.

Fig.16. GASKET SET & TOOL(OPTIONAL)

Fig. 16 GASKET SET & TOOL (OPTIONAL)



No.	Lev.	Parts No.	Description	Q'ty						I	R
				(A)	(B)	(C)	(D)	(E)	(F)		
1	1	719660-92600	GASKET SET	1							1
1-1	1	719660-92601	GASKET SET	1							N 1
(A=E/# 41360)											
2	2	119610-01340	GASKET, HEAD	1							
3	2	119660-01561	GASKET	1							
3-1	2	119660-01562	GASKET	1							N
(A=E/# 41360)											
4	2	24311-000320	O-RING, 1AP32.0	2							
5	2	121520-01850	GASKET	1							
5-1	2	121520-01851	GASKET	1							N
(A=E/# 41360)											
6	2	119620-03030	GASKET	1							
6-1	2	119620-03031	GASKET	1							N
(A=E/# 41360)											
7	2	119620-11310	GASKET, BONNET	1							
8	2	119660-12111	GASKET, MANIFOLD	1							
9	2	124701-11910	GASKET, SILENCER	1							
9-1	2	124701-11911	GASKET, SILENCER	1							N
(A=E/# 41360)											
10	2	119620-13110	GASKET	1							
11	2	119660-35112	GASKET	1							
11-1	2	119660-35113	GASKET	1							N
(A=E/# 41360)											
12	2	124450-35110	O-RING	1							
13	2	24311-000160	O-RING, 1AP16.0	1							
14	2	119620-42020	GASKET, WATER PUMP	1							
15	2	129350-49540	GASKET	1							
15-1	2	129350-49541	GASKET	1							N
(A=E/# 41360)											
16	2	119660-61051	GASKET	1							
16-1	2	119660-61052	GASKET	1							N
(A=E/# 41360)											
17	1	129400-92410	FLEX HORN	1							1

Remarks
(1) OPTIONAL PART.

Parts No. Index

Parts No.	Fig. No.	Ref. No.	Parts No.	Fig. No.	Ref. No.	Parts No.	Fig. No.	Ref. No.	Parts No.	Fig. No.	Ref. No.
101158-11190	4	12	119620-02870	1	14 -1	119620-51350	10	10	119660-21651	7	4
101304-59020	11	1	119620-02930	1	9 -1	119620-51370	10	11	119660-25022	6	13
101720-55750	11	17	119620-03020	4	42	119620-51450	10	12	119660-25052	6	14
102103-55520	11	12	119620-03030	4	43	119620-51461	10	13	119660-25902	6	9
103854-59191	11	3		16	6	119620-51510	10	15	119660-32001	8	1
104200-55750	11	18	119620-03031	4	43 -1	119620-51650	10	17	119660-32020	8	11
104200-59170	11	2		16	6 -1	119620-51660	10	18	119660-35102	8	15
104211-11370	4	15	119620-11080	4	5	119620-51670	10	19	119660-35112	8	16
105010-11230	4	24	119620-11090	4	6	119620-51680	10	20		16	11
		27	119620-11100	4	8	119620-51700	10	21	119660-35113	8	16 -1
105025-59550	10	45	119620-11110	4	9	119620-53000	10	27		16	11 -1
105225-23200	7	18	119620-11120	4	10	119620-53080	10	28	119660-35150	8	17
105546-51330	10	8	119620-11180	4	11	119620-53120	10	30	119660-35300	8	19
106383-44720	15	16	119620-11200	4	21	119620-53140	10	32	119660-42003	9	1
106383-44730	15	17	119620-11240	4	22	119620-59540	10	41	119660-42004	9	1 -1
110250-55610	11	13	119620-11260	4	29	119620-59700	10	46	119660-42350	9	15
114250-53130	10	31	119620-11280	4	30	119620-59811	10	38	119660-51500	10	14
114250-53400	10	33	119620-11280	4	48	119620-59821	10	39	119660-51530	10	16
119260-07900	4	18	119620-11310	4	48	119620-59831	10	40	119660-61013	12	15
119260-59520	10	43		16	7	119620-59831	10	40	119660-61051	12	1
119260-59530	10	44	119620-11330	4	40 -2	119620-66820	13	1		16	16
119600-01050	1	2	119620-11350	4	33	119620-66830	13	6 -1	119660-61052	12	1 -1
119600-01722	3	9	119620-11390	4	41	119620-77011	14	1		16	16 -1
119600-01770	3	5 -1	119620-11801	4	37	119620-77820	4	50		16	16 -1
119600-11450	4	16	119620-13110	5	11	119621-12100	5	1	119660-61060	12	2
119600-11460	4	17		16	10	119621-21680	7	5	119660-61070	12	3
119600-13100	5	10	119620-14100	6	2	119621-66021	12	41	119660-61071	12	3 -1
119600-21580	7	9	119620-14200	6	4	119621-66051	12	42	119660-61121	12	16
119600-34820	8	14	119620-14400	6	5	119621-66091	12	33	119660-61140	12	67
119600-35091	8	28	119620-14401	6	5 -1	119621-66511	12	47	119660-61150	12	68
119600-52021	11	22	119620-21941	7	6	119629-01600	3	2	119660-61300	12	8
119600-61200	12	4	119620-22090	7	11	119629-14580	6	1	119660-61341	12	9
119600-61500	12	20	119620-22300	7	13	119629-66860	13	2	119660-61460	12	17
119600-61540	12	25	119620-22900	7	15 -1	119629-66870	13	3	119660-61491	12	19
119600-61650	12	26	119620-22920	7	22	119629-66880	13	4	119660-61901	12	32
119600-61900	12	31	119620-22950	7	16 -1	119643-66560	12	44	119660-77710	15	24
119600-66840	12	58	119620-22970	7	23	119643-77900	14	50	119688-12500	5	5
119600-77330	15	22	119620-23910	7	20	119656-42290	9	14	119688-12540	5	7
119610-01340	1	13	119620-25102	6	15	119660-01510	2	3	119860-12510	5	6
	16	2	119620-25912	6	16	119660-01551	2	20	119860-12550	5	8
119610-01490	2	1	119620-42020	9	13	119660-01561	2	21	119860-12560	5	9
119610-01590	2	6		16	14		16	3	119865-21600	7	10
119620-01200	1	12	119620-42320	9	10	119660-01562	2	21 -1	121023-01550	2	26
119620-01620	3	12	119620-49290	1	17		16	3 -1	121111-21501	7	8
119620-01800	2	7	119620-51101	10	2	119660-01570	2	24 -1	121120-77930	14	15
119620-01950	2	9	119620-51170	10	3	119660-01640	3	13	121250-44901	9	19
119620-02020	1	7	119620-51180	10	4	119660-01821	6	6	121250-55620	11	14
119620-02410	1	10	119620-51190	10	5	119660-01911	2	8	121254-55510	11	11
119620-02450	6	3 A	119620-51250	10	6	119660-12111	5	2	121254-55600	11	7
119620-02800	1	8 -1	119620-51300	10	7		16	8	121450-01560	2	4
			119620-51340	10	9	119660-21201	7	2	121450-42450	9	18

Parts No. Index

Parts No.	Fig. No.	Ref. No.	Parts No.	Fig. No.	Ref. No.	Parts No.	Fig. No.	Ref. No.	Parts No.	Fig. No.	Ref. No.
121520-01850	11	21	171301-77720	15	25	26014-060202	11	23	26756-040002	12	66
	16	5	174307-51700	12	21	26014-080252	15	20	26756-060002	4	25
121520-01851	11	21 -1	194990-22050	2	13	26022-040082	10	24			28
	16	5 -1		5	12	26022-040252	15	8		12	61
121520-34810	8	13			13	26106-060102	8	30	26979-050162	4	32
121575-66830	12	57		12	40		12	39	27221-050080	4	3
121850-11860	4	2	22117-040000	12	27		13	8	27231-450000	1	4
124066-59100	10	42	22117-060000	13	5			9	27241-120000	1	5
124085-02220	3	14	22137-040000	10	22	26106-060122	1	11	27241-300000	1	6
124160-01751	2	22	22212-100000	15	18		3	10	27241-400000	4	4
	4	51	22217-040000	10	23		6	18	27310-070001	4	12 -1
124160-11340	4	14	22217-050000	4	44	26106-060162	2	15	43400-500400	12	62
124160-11360	4	39	22242-000120	4	31		5	3	43400-500450	12	54
124160-39450	8	31	22242-000200	6	17		6	11	719600-01541	3	5
124250-03640	12	43	22252-000210	7	14	26106-060182	2	28	719610-01560	1	1
124450-35110	8	18	22272-000040	12	28	26106-060222	3	15	719620-02800	1	8
	16	12	22272-000050	13	6	26106-060302	2	16	719620-02870	1	14
124465-44950	9	20	22272-000070	12	64	26106-060452	3	11	719620-02930	1	9
124520-77011	14	1 -1	22351-020004	12	29		5	4	719620-11520	4	40
124550-55700	11	16	22351-030014	12	30	26106-060602	2	17	719620-11523	4	40 -1
124550-66370	12	56	22351-040010	2	5			18	719620-11650	4	23
124701-11910	5	17		12	10	26106-060702	12	12	719620-11660	4	26
	16	9	22351-060012	4	7	26106-060802	2	19	719620-11701	4	1
124701-11911	5	17 -1	22360-040000	12	37	26106-080122	13	10	719620-22500	7	12 -1
	16	9 -1	22360-060000	12	11	26106-080142	4	19	719620-22501	7	12
124756-67510	12	63		13	7			20	719620-22540	7	16
124772-66750	12	53	22451-060000	12	59	26106-080162	15	23 -1	719620-22820	7	15
124950-11340	4	13	22512-040120	6	3	26106-080182	15	23	719620-23100	7	17
129100-01580	3	1		7	8	26106-080202	8	27	719620-23600	7	24
	7	1 C		7	3		9	24	719620-23610	7	21
		7	23065-120500	4	38	26106-080402	5	14	719620-53100	10	26
129100-61930	12	46	23414-140000	10	47	26106-080452	4	34	719621-51700	10	1 -1
129150-35350	8	25	23418-060000	11	19		9	17	719660-14590	6	7
129150-59120	10	35	23871-010000	1	3	26106-100402	15	21	719660-21700	7	1 -1
129150-59130	10	36	23871-030000	9	11	26116-040128	12	65	719660-21701	7	1
129155-51280	12	14	24101-062034	6	19	26116-050102	12	13	719660-92600	16	1
129155-61480	12	18	24102-063034	6	10	26116-060304	12	60	719660-92601	16	1 -1
129155-61530	12	24	24311-000120	2	14	26116-120252	14	49	X0280210230	14	8
129155-61830	10	34		4	36	26206-100202	3	3	X0280630011	14	2
129350-49530	9	21		8	29	26206-100252	3	4	X0280992761	14	7 -1
129350-49540	9	22	24311-000160	8	26	26216-060162	2	24	X0281003751	14	3
	16	15		16	13	26216-080222	5	15	X0282001531	14	4
129350-49541	9	22 -1	24311-000320	2	23	26216-080552	5	16	X0283005050	14	7
	16	15 -1		4	52	26366-060002	2	25	X0283060061	14	16
129350-49800	9	23		16	4	26366-080002	4	35	X0283270140	14	9
129400-92410	16	17	24311-240100	12	45	26450-060202	8	12	X0283711420	14	17
129795-77800	4	49	24341-000070	12	38	26557-050102	4	45	X0283712350	14	10 -1
135210-61090	12	55	24341-000240	2	27	26587-040102	10	25	X0283715030	14	10
171301-01640	3	7		3	8	26587-080102	6	12	X0283810040	14	11
171301-77201	15	1	26014-060162	9	16	26716-100002	15	19	X0284004910	14	18

Parts No. Index

Parts No.	Fig. No.	Ref. No.
X0285040631	14	19
X0285100460	14	20
X0534006460	14	22
X0534040320	14	23
X0534490120	14	24
		25
X0534490230	14	26
		27
X0535050620	14	28
X0535130241	14	29
X0535130320	14	30
X0536600401	14	31
X9019008651	14	41
X9025808001	14	42
X9151005141	14	32
X9490071810	14	43
X9490071970	14	44
X9490170900	14	33
		34
X9490423330	14	45
X9490441303	14	35
X9490441312	14	36
X9490502820	14	37
		38
X9490561370	14	46
X9490721080	14	12
X9491001360	14	5
X9491001860	14	6
X9491200240	14	47
X9491402100	14	39
		40
X9491703371	14	13
X9491703380	14	48
X9491704260	14	14
X9491730461	14	21
XM08137	15	2
XM08138	15	3
XM08180	15	4
XM17878	15	6
XM27436	15	5
		15
XM36410	15	7
XM37336	15	14
XM72174	15	12
XM72664	15	13
XM82110	15	11
XM82184	15	10
XYSPS4008	15	9

Parts No.	Fig. No.	Ref. No.
-----------	----------	----------

Parts No.	Fig. No.	Ref. No.
-----------	----------	----------

Parts No.	Fig. No.	Ref. No.
-----------	----------	----------