

0CD10-M32301EN

PREFACE

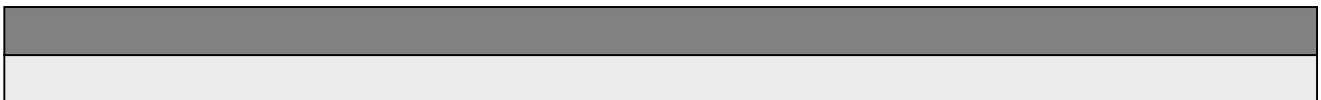
1. This Parts Catalog is the 1st edition of 3TNA72L-UMCD Diesel Engine for MITSUBISHI.

Pub. No. : 000Y00D3231

Published : August, 1991

2. Model name

Engine model	Vehicle		Vehicle made by
	Products	Model name	
3TNA72L-UMCD	—	—	MITSUBISHI



Directions for the Parts Catalog.

1. This Parts Catalog shows both standard and optional parts.
2. Parts may change without prior notice.
3. The following is an example of the Parts Catalog format.

REF.	LEV.	PARTS NO.	DESCRIPTION	Q'TY						I	R
				(A)	(B)	(C)	(D)	(E)	(F)		
1	1	729595-51390	FUEL INJECTION PUMP	1	1	1	1	1			1
1-1	1	729595-51391	FUEL INJECTION PUMP	1	1	1	1	1		N	1
		(A=E00185) (B=E00200)									
3	2	26022-060162	SCREW M 6X 16	9	9	9	9	9			
3-1	2	26022-060162	SCREW M 6X 16	4	4	4	4	4		K	
		(A=E00156) (B=E00156) (C=E00156) (D=E00156) (E=E00156)									
4	2	129470-51040	CAMSHAFT	1	1	1	1	1			
5	2	122710-51050	BEARING, ROLLER	2	2	2	2	2			
6	2	129470-51060	RETAINER	1	1	1	1	1			

Remarks
(1) BOOST COMPEMSATOR TYPE. OPTIONAL PART, TO E00155,(4JH-DT, 4JH-DTZ

① Ref. No.

The Ref. No. listed may not be in accordance with the illustration Ref. No.

(Ex.) Illustration No.

List Ref No.

1 1 (Before change) → 1-1 (After change)

For interchangeable symbols N, R and K, illustrations for new parts may be abbreviated.

② Lev. (Level)

Level indication

The numbers below indicate the level of relativity towards the main part.

1 ---- Main parts (Assembly parts)

2 ---- Sub component included in " 1 ".

3 ---- Sub component included in " 2 ".

Note) Parts that are not for sale are partially illustrated but not listed.

③ Interchangeability Symbol

When a part change takes place, one of the following interchangeability symbols is indicated beside the part.

Symbol	Interchangeability	Contents note
N	Old $\begin{matrix} \leftarrow \text{Yes} \\ \text{No} \rightarrow \end{matrix}$ New	New Part is interchangeable for Old Part but Old Part is not interchangeable for New Part.
Q	Old $\begin{matrix} \leftarrow \text{No} \\ \text{Yes} \rightarrow \end{matrix}$ New	New Part is not interchangeable for Old Part but Old Part is interchangeable for New Part.
R	Old $\begin{matrix} \leftarrow \text{Yes} \\ \text{Yes} \rightarrow \end{matrix}$ New	New/ Old Parts are both interchangeable.
S	Old $\begin{matrix} \leftarrow \text{No} \\ \text{No} \rightarrow \end{matrix}$ New	New/ Old Parts are both not interchangeable.
W		Part newly added.
Z		Part discontinued.
F		Not interchangeable by a single part but interchangeable together with related parts.
K		Changes only for used parts quantities.

④ Effective Machine No.

When a part changes, the effective Machine No. will be indicated in the (A)-(F) column.

Product Symbol	Product No.	Product Symbol	Product No.
C	Clutch No. Compressor No.	F	Machine No. (Agricultural Equip.)
D	Drive No.	M	Machine No.
E	Engine No.		

Note 1) A date may follow the symbol. (Ex.) 1996.01

Note 2) "XXXXX" and "ZZZZZ" are for parts that could not be predicted or for engine models that could not be identified.

Note 3) (A=E00185) is the E (Engine Serial Number) for the column (A) model (in this case 4JH-DT) after the parts design change.

⑤ Remarks

Figures or alphabets (symbols) are entered in the remarks column.

The comments (remarks) on parts that are indicated at the bottom of the illustration are the same symbols as those stated above.

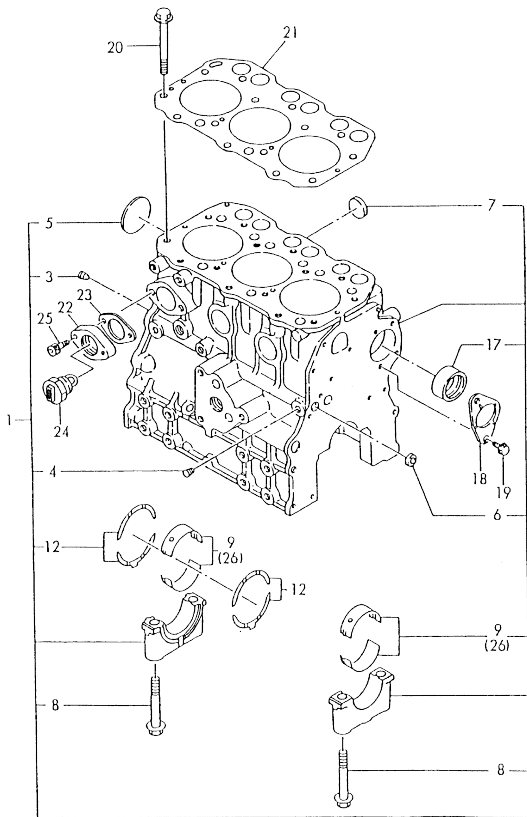
Contents

Fig. No.	Fig. Name	Fig. No.	Fig. Name
ENGINE 3TNA72L-UMCD			
1.	CYLINDER BLOCK		
2.	GEAR HOUSING		
3.	FLYWHEEL HOUSING & OIL SUMP		
4.	CYLINDER HEAD & BONNET		
5.	SUCTION MANIFOLD & AIR CLEANER		
6.	EXHAUST MANIFOLD		
7.	CAMSHAFT & DRIVE GEAR		
8.	CRANKSHAFT & PISTON		
9.	LUB. OIL SYSTEM		
10.	COOLING WATER SYSTEM		
11.	FUEL INJECTION PUMP		
12.	FUEL OIL PIPES		
13.	GOVERNER		
14.	STARTING MOTOR		
15.	ELECTRIC PPARTS		
16.	TOOL & GASKET SET(OPTION)		

OCD10-M32301

Fig.1. CYLINDER BLOCK

019649-01100
019620-02100
019629-02700



No.	Lev.	Parts No.	Description	Q'ty						I	R
				(A)	(B)	(C)	(D)	(E)	(F)		
1	1	719610-01560	BLOCK ASSY, CYLINDER	1							
3	2	119600-01050	PLUG, PT1/4	1							
4	2	23871-010000	PLUG, R01	1							
5	2	27231-450000	PLUG 45	1							
6	2	27241-120000	PLUG, 12	1							
7	2	27241-300000	PLUG 30	5							
8	2	119620-02020	BOLT, METAL CAP	8							
9	2	719620-02800	BEARING, MAIN	4							
12	2	719620-02930	BEARING, THRUST	2							
17	2	119620-02410	BUSH, CAMSHAFT	1							
18	1	119620-02450	BEARING, THRUST	1							Z
(A=E0000)											
19	1	26106-060122	BOLT, M6X 12 PLATED	2							
20	1	119620-01200	BOLT, HEAD	14							
21	1	119610-01340	GASKET, HEAD	1							
22	1	119621-11950	BRACKET	1							
23	1	119621-11960	GASKET	1							
24	1	171015-77900	HEATER	1							
25	1	26450-080182	BOLT, M8X 18	2							
26	1	719620-02870	BEARING, 0.25 US	4							1

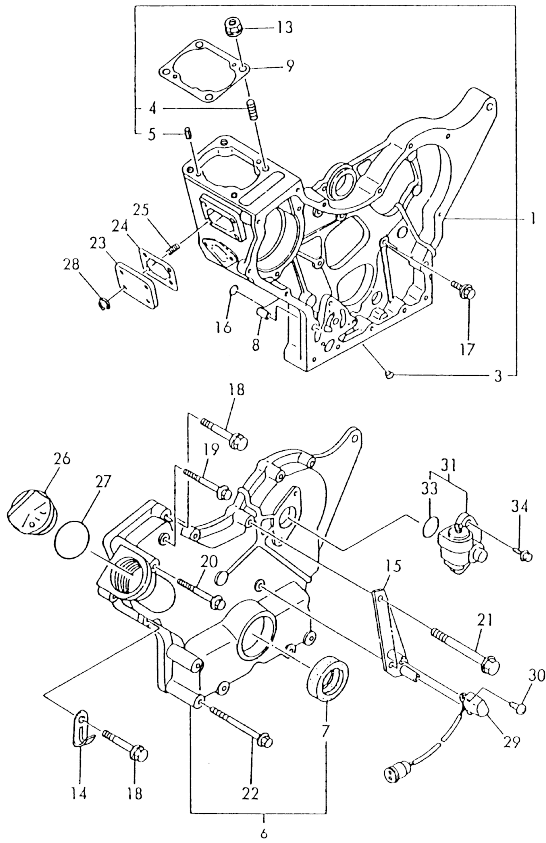
Remarks
(1) UNDER SIZE(U.S=0.25)PART.

N:Old $\frac{100}{100}$ New, Q:Old $\frac{100}{100}$ New, R:Old $\frac{100}{100}$ New, S:Old $\frac{100}{100}$ New, W:Add, Z:Discontinued, F:Interchangeable by set, K:Q'ty Change
Copyright (C) YANMAR CO., LTD. All Rights Reserved.

OCD10-M32301

Fig.2. GEAR HOUSING

019649-01200
 019600-01320
 719649-51320
 019649-78500
 029150-91100



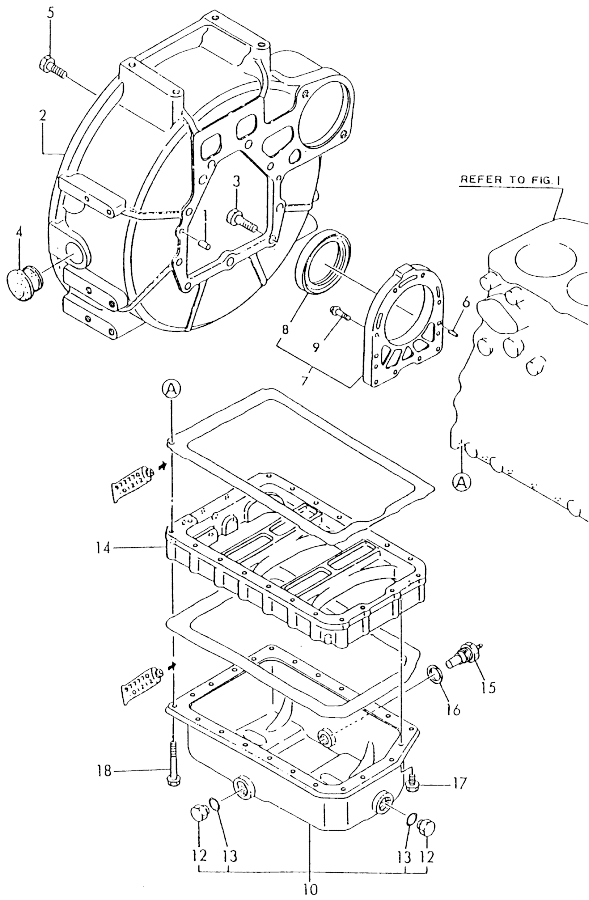
No.	Lev.	Parts No.	Description	Q'ty						I	R
				(A)	(B)	(C)	(D)	(E)	(F)		
1	1	119610-01490	CASE ASSY, GEAR	1							
3	2	119660-01510	PLUG, 10X14	1							
4	2	121450-01560	STUD, M8X22	4							
5	2	22351-040010	PIN, SPRING 4.0X10	2							
6	1	119610-01590	COVER ASSY, GEAR CASE	1							W
(A=E43871)											
7	2	119620-01800	SEAL, OIL	1							
8	1	119660-01911	PIPE, KNOCK	4							
9	1	119620-01950	SHIM SET, ADJUSTING	1							
13	1	194990-22050	NUT, M8	4							
14	1	194440-51630	CLAMP, HARNESS	1							
15	1	119649-78510	BRACKET, PULSAR	1							
16	1	24311-000120	O-RING, 1AP12.0	2							
17	1	26106-060162	BOLT, M6X 16 PLATED	7							
18	1	26106-060302	BOLT, M6X 30 PLATED	8							
19	1	26106-060602	BOLT, M6X 60 PLATED	1							
20	1	26106-060602	BOLT, M6X 60 PLATED	1							
21	1	26106-060652	BOLT, M6X 65 PLATED	2							
22	1	26106-060802	BOLT, M6X 80 PLATED	6							
23	1	119660-01551	COVER	1							
24	1	119660-01561	GASKET	1							
24-1	1	119660-01562	GASKET	1							R
(A=E40972)											
25	1	119660-01570	STUD, M6X12	4							
26	1	124160-01751	COVER, FILLER	1							
27	1	24311-000320	O-RING, 1AP32.0	1							
28	1	26366-060002	NUT, M6	4							
29	1	119649-78500	PULSAR	1							
30	1	26557-040082	SCREW, M4X 8	2							
31	1	129150-91400	GEAR	1							
33	2	24341-000240	O-RING, 1AS24.0	1							
34	1	26106-060162	BOLT, M6X 16 PLATED	2							

N:Old $\frac{100}{100}$ New, Q:Old $\frac{100}{100}$ New, R:Old $\frac{100}{100}$ New, S:Old $\frac{100}{100}$ New, W:Add, Z:Discontinued, F:Interchangeable by set, K:Qty Change
 Copyright (C) YANMAR CO., LTD. All Rights Reserved.

OCD10-M32301

Fig.3. FLYWHEEL HOUSING & OIL SUMP

019600-01400
019600-01500
019649-01700



(A)=3TNA72L-UMCD
(B)=
(C)=

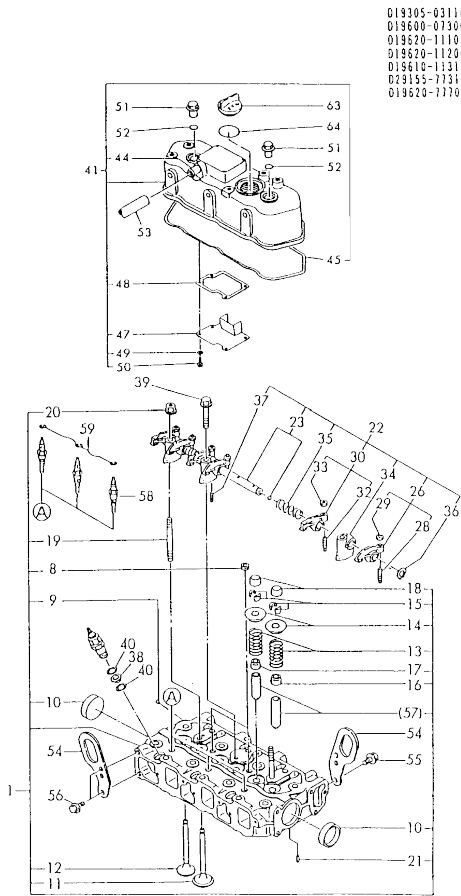
(D)=
(E)=
(F)=

No.	Lev.	Parts No.	Description	Q'ty						I	R
				(A)	(B)	(C)	(D)	(E)	(F)		
1	1	129100-01580	PIN, M8X16	2							
2	1	119600-01600	HOUSING, FLYWHEEL	1							
3	1	121120-01620	BOLT, M10X28	3							
4	1	119620-01750	CAP	1							
5	1	26206-100252	BOLT, M10X 25 PLATED	6							
6	1	119620-01620	PIN, M6X10	2							
7	1	119660-01640	CASE ASSY, OIL SEAL	1							W
		(A=E43871)									
8	2	124085-02220	SEAL, OIL	1							
9	1	26106-060222	BOLT, M6X 22 PLATED	10							
10	1	719649-01540	SUMP ASSY, OIL	1							
10-1	2	119649-01770	SUMP ASSY, OIL	1							R
		(A=1990.)									
12	2	171301-01640	PLUG, 22	2							
12-1	2	171301-01640	PLUG, 22	1							K
		(A=E40972)									
13	2	24341-000240	O-RING, 1AS24.0	2							
13-1	2	24341-000240	O-RING, 1AS24.0	1							K
		(A=E40972)									
14	1	119600-01722	SPACER, OIL SUMP	1							
15	1	121470-44900	SENSOR	1							
16	1	124465-44950	GASKET, 16	1							
17	1	26106-060122	BOLT, M6X 12 PLATED	3							
18	1	26106-060452	BOLT, M6X 45 PLATED	20							

N:Old $\frac{100}{100}$ New, Q:Old $\frac{100}{100}$ New, R:Old $\frac{100}{100}$ New, S:Old $\frac{100}{100}$ New, W:Add, Z:Discontinued, F:Interchangeable by set, K:Q'ty Change
Copyright (C) YANMAR CO., LTD. All Rights Reserved.

OCD10-M32301

Fig.4. CYLINDER HEAD & BONNET



No.	Lev.	Parts No.	Description	Q'ty						I	R
				(A)	(B)	(C)	(D)	(E)	(F)		
1	1	719620-11702	HEAD ASSY, CYLINDER	1							
8	3	121850-11860	PLUG, PT1/4	2							
9	3	27221-050080	PLUG, 5X 8	1							
10	3	27241-400000	PLUG, 40	2							
11	2	119620-11100	VALVE, INTAKE	3							
12	2	119620-11110	VALVE, EXHAUST	3							
13	2	119620-11120	SPRING, VALVE	6							
14	2	119620-11180	RETAINER, SPRING	6							
15	2	101158-11190	COTTER	6							
15-1	2	27310-070001	COTTER, 7	6							R
(A=E43871)											
16	2	124160-11340	SEAL, VALVE STEM	3							
17	2	124950-11340	SEAL, VALVE STEM	3							
18	2	104211-11370	CAP, VALVE	6							
19	2	119620-11350	STUD	2							
20	2	26366-080002	NUT, M8	2							
21	2	22351-060012	PIN, SPRING 6.0X12	2							
22	1	119620-11200	SUPPORT ASSY, ARM	1							
23	2	119620-11240	SHAFT ASSY, ROCKER	1							
26	2	719620-11650	ARM ASSY, ROCKER	3							
28	3	105010-11230	SCREW, VALVE ADJUST	3							
29	3	26756-060002	NUT, LOCK M6	3							
30	2	719620-11660	ARM ASSY, ROCKER	3							
32	3	105010-11230	SCREW, VALVE ADJUST	3							
33	3	26756-060002	NUT, LOCK M6	3							
34	2	119620-11260	SUPPORT, ROCKER ARM	3							
35	2	119620-11280	SPRING	2							
36	2	22242-000120	RING, 12	2							
37	2	26979-050162	SCREW, M5X16	1							
38	1	119600-11450	PROTECTOR, NOZZLE	3							
39	1	26106-080452	BOLT, M8X 45 PLATED	1							
40	1	119600-11460	GASKET, NOZZLE	6							
41	1	719620-11520	BONNET ASSY, HEAD	1							
41-1	1	119620-11330	BONNET ASSY, HEAD	1							N
(A=E43871)											
44	2	119620-11390	JOINT	1							
45	2	119620-11310	GASKET, BONNET	1							
47	2	119620-03020	PLATE, SHELTER	1							
48	2	119620-03030	GASKET	1							
48-1	2	119620-03031	GASKET	1							R
(A=E40972)											
49	2	22217-050000	WASHER, SPRING 5	4							
50	2	26557-050102	SCREW, M5X10	4							
51	1	124160-11360	KNOB	2							
52	1	24311-000120	O-RING, 1AP12.0	2							
53	1	23065-120500	PIPE, 12X 500	1							
54	1	119260-07900	LIFTER	2							
55	1	26106-080142	BOLT, M8X 14 PLATED	1							
56	1	26106-080142	BOLT, M8X 14 PLATED	2							
57	1	119620-11801	GUIDE, VALVE	6							1
58	1	129155-77801	PLUG, GLOW	3							

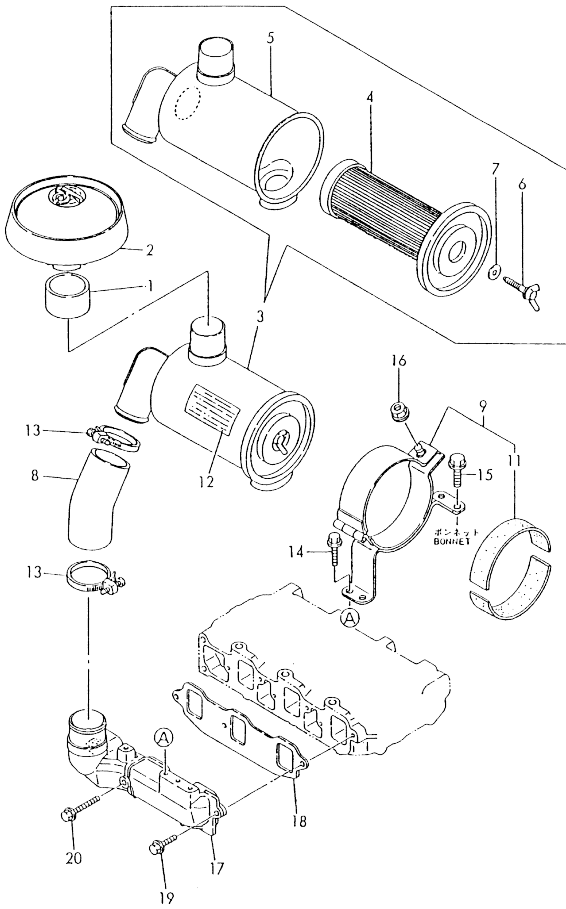
Remarks
(1) REPAIR PART.

N:Old ^{100%} New, Q:Old ^{100%} New, R:Old ^{100%} New, S:Old ^{100%} New, W:Add, Z:Discontinued, F:Interchangeable by set, K:Q'ty Change
 ++ CONTINUE ++
 Copyright (C) YANMAR CO., LTD. All Rights Reserved.

OCD10-M32301

Fig.5. SUCTION MANIFOLD & AIR CLEANER

019660-12200
019688-12100



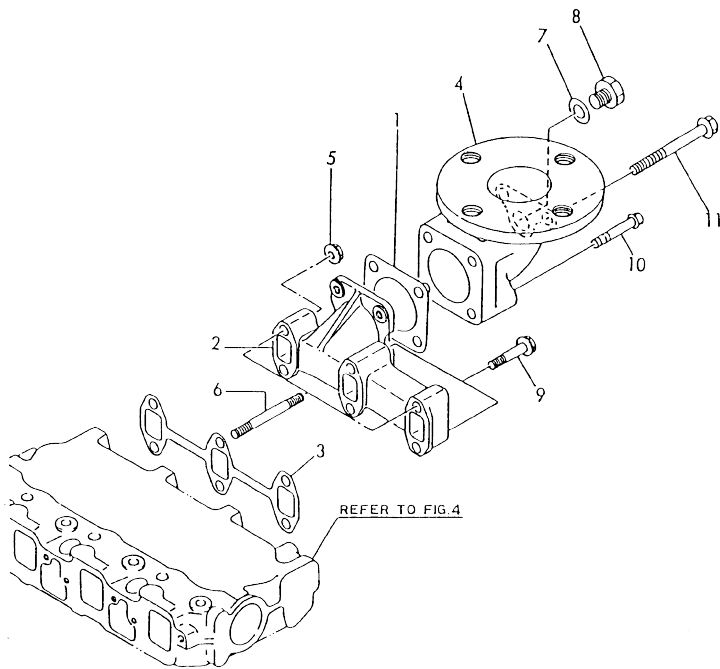
No.	Lev.	Parts No.	Description	Q'ty						I	R
				(A)	(B)	(C)	(D)	(E)	(F)		
1	1	119288-12050	JOINT, PIPE	1							
2	1	121521-12400	CAP, RAIN	1							
3	1	119688-12500	CLEANER ASSY, AIR	1							
4	2	119860-12510	ELEMENT	1							
5	2	119688-12540	CASE ASSY, CLEANER	1							
6	2	119860-12550	BOLT	1							
7	2	119860-12560	WASHER, SEAL	1							
8	1	119654-12550	PIPE, AIR INTAKE	1							
9	1	119640-12590	BRACKET	1							
11	2	119640-12580	SEAT, RUBBER	2							
12	1	124764-12600		1							
12-1	1	129136-12600	LABEL, AIR CLEANER	1							R
(A=E40972)											
13	1	23000-060000	CLAMP, 60	2							
14	1	26106-060122	BOLT, M6X 12 PLATED	2							
14-1	1	26106-060182	BOLT, M6X 18 PLATED	2							N
(A=1991.06)											
15	1	26106-080122	BOLT, M8X 12 PLATED	2							
15-1	1	26106-080182	BOLT, M8X 18 PLATED	2							N
(A=1991.06)											
16	1	26366-080002	NUT, M8	1							
17	1	119660-12101	MANIFOLD, AIR INTAKE	1							
18	1	119660-12111	GASKET, MANIFOLD	1							
19	1	26106-060162	BOLT, M6X 16 PLATED	2							
20	1	26106-060402	BOLT, M6X 40 PLATED	1							

N:Old $\frac{New}{100}$ New, Q:Old $\frac{New}{100}$ New, R:Old $\frac{New}{100}$ New, S:Old $\frac{New}{100}$ New, W:Add, Z:Discontinued, F:Interchangeable by set, K:Qty Change
Copyright (C) YANMAR CO., LTD. All Rights Reserved.

OCD10-M32301

Fig.6. EXHAUST MANIFOLD

D19649-13200



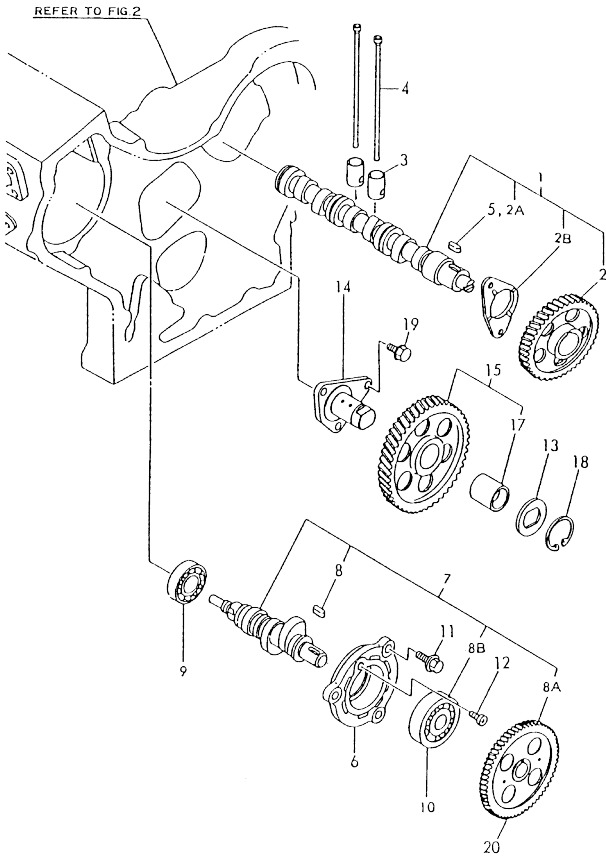
No.	Lev.	Parts No.	Description	Q'ty						I	R
				(A)	(B)	(C)	(D)	(E)	(F)		
1	1	124450-11900	GASKET	1							
2	1	119600-13100	MANIFOLD, EXHAUST	1							
3	1	119620-13110	GASKET	1							
4	1	171083-13300	BEND, EXHAUST 50A	1							
5	1	194990-22050	NUT, M8	2							
6	1	26216-080552	STUD, M8X 55	2							
7	1	23414-170000	GASKET, 17X1.0	1							
8	1	23894-030002	PLUG, G3/8	1							
9	1	26106-080402	BOLT, M8X 40 PLATED	4							
10	1	26106-080452	BOLT, M8X 45 PLATED	2							
11	1	26106-080952	BOLT, M8X 95 PLATED	2							

N:Old $\frac{New}{Old}$ New. Q:Old $\frac{New}{Old}$ New. R:Old $\frac{New}{Old}$ New. S:Old $\frac{New}{Old}$ New. W:Add. Z:Discontinued. F:Interchangeable by set. K:Q'ty Change
 Copyright (C) YANMAR CO., LTD. All Rights Reserved.

OCD10-M32301

Fig.7. CAMSHAFT & DRIVE GEAR

D19629-14100
 D19660-25101
 719649-51320

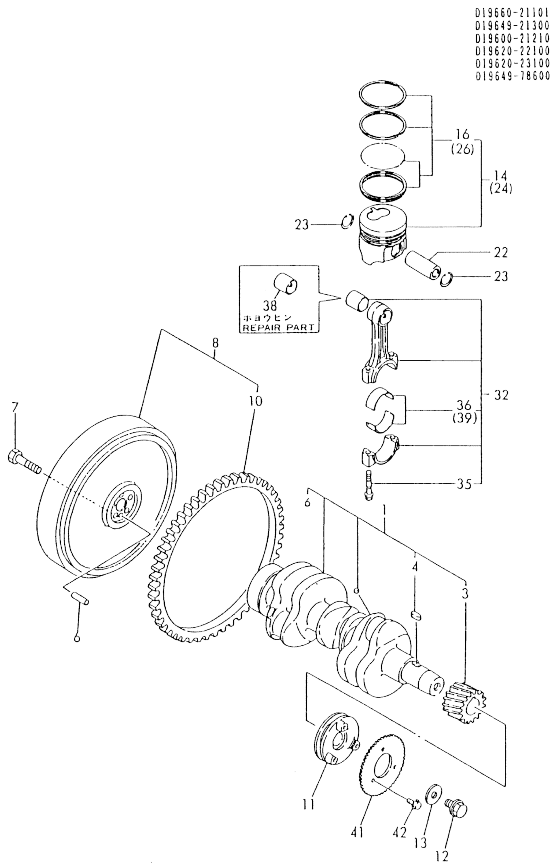


No.	Lev.	Parts No.	Description	Q'ty						I	R
				(A)	(B)	(C)	(D)	(E)	(F)		
1	1	119629-14580	CAMSHAFT ASSY	1							W
		(A=EXXX)									
2	2	119620-14100	GEAR, CAMSHAFT	1							
2A	2	22512-040120	KEY, 4X 12	1							W
		(A=EXXX)									
2B	2	119620-02450	BEARING, THRUST	1							W
		(A=EXXX)									
3	1	119620-14200	TAPPET		6						
4	1	119620-14400	ROD, PUSH		6						
5	1	22512-040120	KEY, 4X 12	1							Z
		(A=EXXX)									
6	1	119660-01821	BEARING, FUEL CAM	1							
7	1	719660-14590	CAMSHAFT	1							W
		(A=EXXX)									
8	2	22512-040120	KEY, 4X 12		1						
8A	2	119660-25902	GEAR, PUMP	1							W
		(A=EXXX)									
8B	2	24102-063034	BEARING, BALL 6303U	1							W
		(A=EXXX)									
9	1	24101-062034	BEARING, BALL 6203	1							
10	1	24102-063034	BEARING, BALL 6303U	1							Z
		(A=EXXX)									
11	1	26106-060162	BOLT, M6X 16 PLATED		3						
12	1	26587-080102	SCREW, M8X10		1						
13	1	119660-25022	RETAINER		1						
14	1	119660-25052	SHAFT, IDLE		1						
15	1	119620-25102	GEAR ASSY, IDLE		1						
17	2	119620-25062	BUSH, IDLE GEAR		1						
18	1	22242-000200	RING, 20		1						
19	1	26106-060122	BOLT, M6X 12 PLATED		3						
20	1	119660-25902	GEAR, PUMP		1						Z
		(A=EXXX)									

N:Old $\frac{New}{Old}$ New, Q:Old $\frac{New}{Old}$ New, R:Old $\frac{New}{Old}$ New, S:Old $\frac{New}{Old}$ New, W:Add, Z:Discontinued, F:Interchangeable by set, K:Qty Change
 Copyright (C) YANMAR CO., LTD. All Rights Reserved.

OCD10-M32301

Fig.8. CRANKSHAFT & PISTON



019660-21101
019649-21300
019600-21210
019620-22100
019620-23100
019649-78600

No.	Lev.	Parts No.	Description	Q'ty						I	R
				(A)	(B)	(C)	(D)	(E)	(F)		
1	1	719660-21701	CRANKSHAFT ASSY	1							
1-1	1	719660-21700	CRANKSHAFT ASSY	1							N
		(A=EXXX)									
3	2	119660-21201	GEAR, CRANKSHAFT	1							
4	2	22512-040120	KEY, 4X 12	1							
6	2	129100-01580	PIN, M8X16	1							
7	1	121111-21501	BOLT, FLYWHEEL	5							
8	1	119600-21580	FLYWHEEL ASSY	1							
10	2	119865-21600	GEAR, RING	1							
11	1	119649-21650	V-PULLEY	1							
12	1	119621-21680	BOLT, FLANGE 12X1.25	1							
13	1	119620-21941	WASHER	1							
14	1	119620-22090	PISTON ASSY	3							
16	2	719620-22500	RING SET, PISTON	3							
22	1	119620-22300	PIN, PISTON	3							
23	1	22252-000210	RING, 21	6							
24	1	719620-22820	PISTON ASSY, 0.25 OS	3							1
26	2	719620-22540	RING SET, 0.25 OS	3							1
32	1	719620-23100	ROD ASSY, CONNECTING	3							
35	2	105225-23200	BOLT, CONNECTING ROD	6							
36	2	719620-23600	BEARING, CRANK PIN	3							
38	1	119620-23910	BEARING, PISTON PIN	3							2
39	1	719620-23610	BEARING ASSY, 0.25	3							3
41	1	119649-78650	GEAR, PULSAR	1							
42	1	26106-100142	BOLT, M10X 14 PLATED	3							

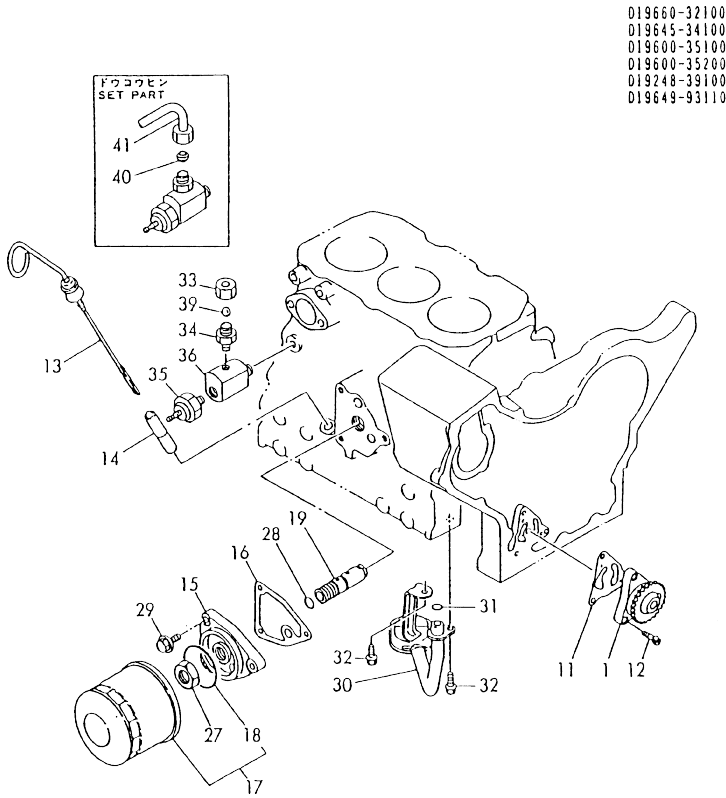
Remarks

- (1) OVER-SIZE(O.S=0.25)PART.
- (2) REPAIR PART.
- (3) UNDER-SIZE(U.S=0.25)PART.

N:Old $\frac{100}{100}$ New, Q:Old $\frac{100}{100}$ New, R:Old $\frac{100}{100}$ New, S:Old $\frac{100}{100}$ New, W:Add, Z:Discontinued, F:Interchangeable by set, K:Q'ty Change
Copyright (C) YANMAR CO., LTD. All Rights Reserved.

OCD10-M32301

Fig.9. LUB. OIL SYSTEM



019660-32100
 019645-34100
 019600-35100
 019600-35200
 019248-39100
 019649-93110

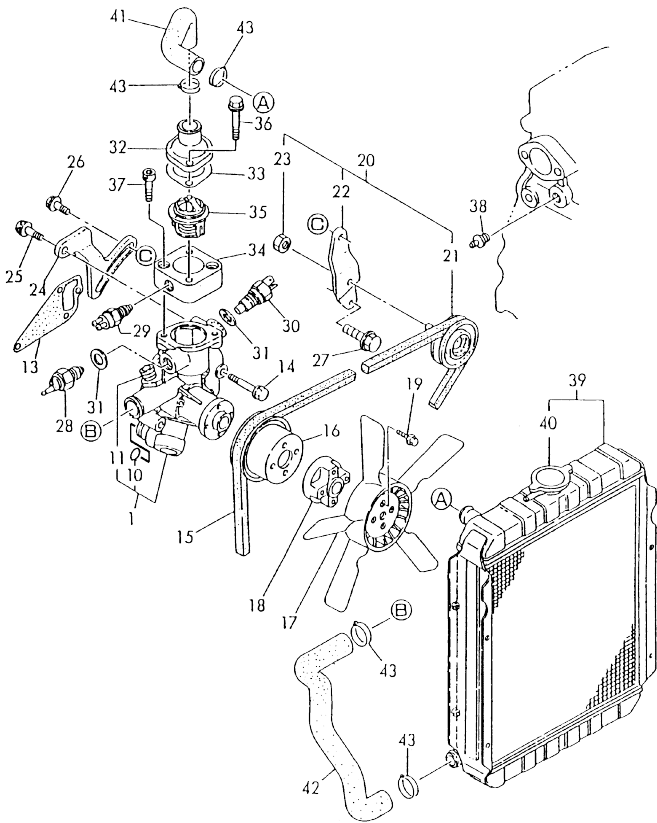
No.	Lev.	Parts No.	Description	Q'ty						I	R
				(A)	(B)	(C)	(D)	(E)	(F)		
1	1	119660-32001	PUMP ASSY, OIL	1							
11	1	119660-32020	GASKET, PUMP	1							
12	1	26450-060202	BOLT, M6X 20	3							
13	1	119645-34800	DIPSTICK, OIL	1							
14	1	121520-34810	GUIDE, DIPSTICK	1							
15	1	119660-35102	BRACKET, FILTER	1							
16	1	119660-35112	GASKET	1							
16-1	1	119660-35113	GASKET	1							R
(A=E40972)											
17	1	119660-35150	FILTER, LUB. OIL	1							
17-1	1	119305-35151	FILTER ASSY, D68XL65	1							N 1
(A=EXXXXX)											
18	2	124450-35110	O-RING	1							Z
(A=EXXXXX)											
19	1	119660-35300	VALVE ASSY, CONTROL	1							
27	1	129150-35350	NUT	1							
28	1	24311-000160	O-RING, 1AP16.0	1							
29	1	26106-080202	BOLT, M8X 20 PLATED	3							
30	1	119600-35091	PIPE ASSY, OIL INLET	1							
31	1	24311-000120	O-RING, 1AP12.0	1							
32	1	26106-060102	BOLT, M6X 10 PLATED	2							
33	1	171010-39040	NUT, CAP	1							
34	1	171015-39100	UNION	1							
35	1	124160-39450	SWITCH, 0.5KG	1							
36	1	171375-39600	DAMPER ASSY	1							
39	1	24190-080001	BALL, STEEL 1/4	1							
40	1	171010-39080	SLEEVE	1							
41	1	171015-91200	PIPE, OIL	1							

Remarks
 (1)O-ring is integrated type.
 (integrated to the LO filter)

N:Old $\frac{100}{100}$ New, Q:Old $\frac{100}{100}$ New, R:Old $\frac{100}{100}$ New, S:Old $\frac{100}{100}$ New, W:Add, Z:Discontinued, F:Interchangeable by set, K:Q'ty Change
 Copyright (C) YANMAR CO., LTD. All Rights Reserved.

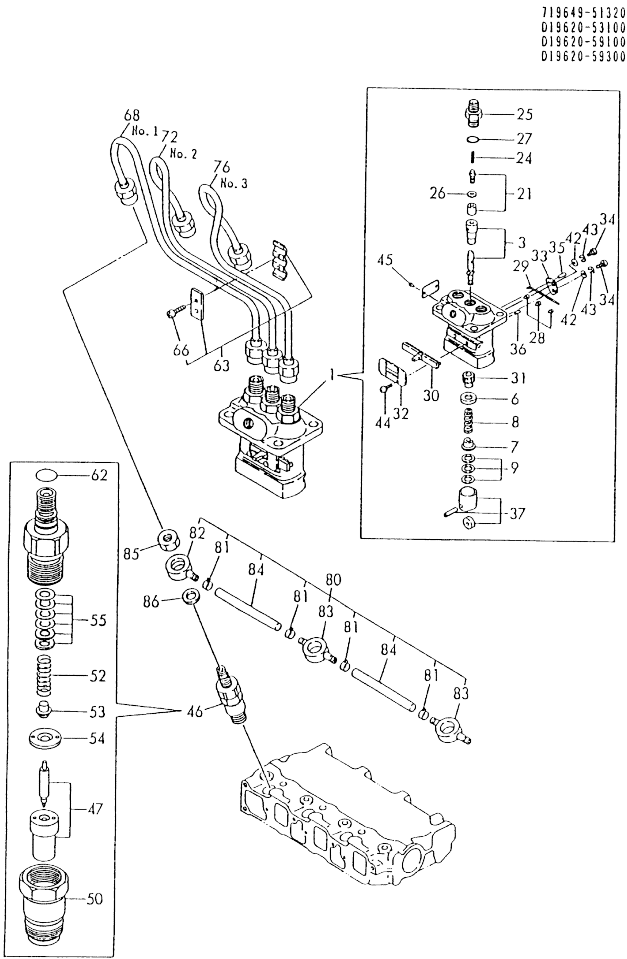
Fig.10. COOLING WATER SYSTEM

発行No. 000Y00D3231-1
 更新年月: 2007.02
 REVISED: Febru. 2007



No.	Lev.	Parts No.	Description	Q'ty						I	R
				(A)	(B)	(C)	(D)	(E)	(F)		
1	1	119660-42003	PUMP ASSY, WATER	1							
1-1	1	119660-42004	PUMP ASSY, WATER	1							R
(A=E40972)											
10	2	119620-42320	O-RING	1							
11	2	23871-030000	PLUG, R03	1							
13	1	119620-42020	GASKET, WATER PUMP	1							
14	1	26106-080452	BOLT, M8X 45 PLATED	4							
15	1	119650-42291	V-BELT, 35	1							
16	1	119660-42350	V-PULLEY	1							
17	1	124700-44740	FAN, COOLING 5X310	1							
18	1	171353-44760	SPACER, FAN	1							
19	1	26106-060352	BOLT, M6X 35 PLATED	4							
20	1	171375-44300	PULLEY ASSY, TENSION	1							
21	2	171011-44301	PULLEY, TENSION	1							
22	2	171375-44320	BRACKET, PULLEY	1							
23	2	26706-100002	NUT, M10	1							
24	1	119600-77330	ADJUSTER	1							
25	1	26014-080252	BOLT, M8X 25	1							
26	1	26106-080182	BOLT, M8X 18 PLATED	1							
27	1	26106-100352	BOLT, M10X 35 PLATED	1							
28	1	121250-44901	SWITCH, 110	1							
29	1	171375-44900	SWITCH, 15	1							
30	1	171375-44910	SENSOR	1							
31	1	124465-44950	GASKET, 16	2							
32	1	129350-49530	COVER, THERMOSTAT	1							
33	1	129350-49540	GASKET	2							
33-1	1	129350-49541	GASKET	2							R
(A=E40972)											
34	1	119649-49590	SPACER	1							
35	1	129350-49800	THERMOSTAT, 71	1							
36	1	26106-080502	BOLT, M8X 50 PLATED	2							
37	1	26450-080302	BOLT, M8X 30	2							
38	1	121550-49111	JOINT, PT1/4	1							
39	1	171002-44502	RADIATOR	1							
40	2	123682-44210	CAP, RADIATOR	1							
41	1	119688-49010	PIPE, WATER	1							
42	1	119645-49020	PIPE, WATER	1							
43	1	23010-038000	CLAMP, 38	4							

Fig.11. FUEL INJECTION PUMP



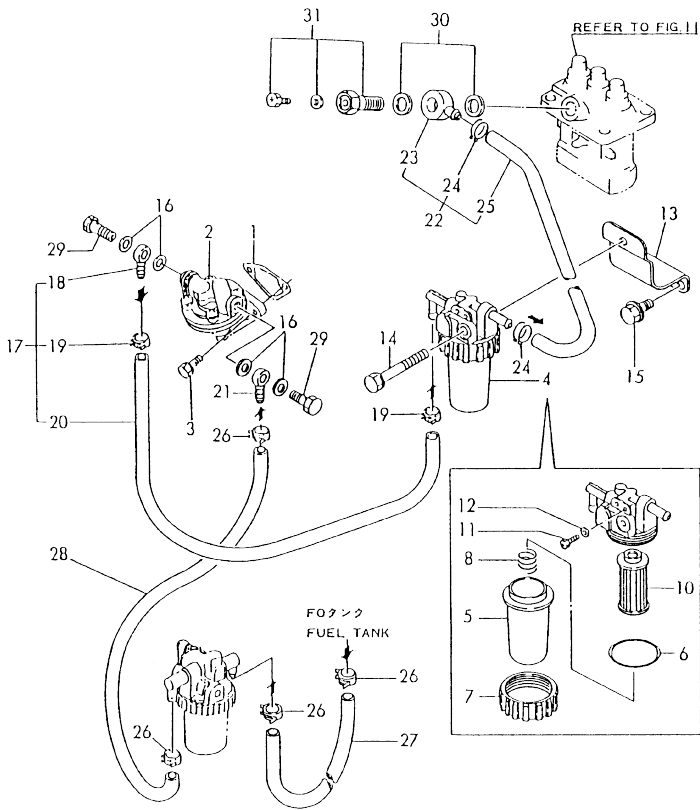
719649-51320
 019620-53100
 019620-53100
 019620-53300

No.	Lev.	Parts No.	Description	Q'ty						I	R
				(A)	(B)	(C)	(D)	(E)	(F)		
1	1	719621-51100	PUMP ASSY, INJECTION	1							
3	2	119620-51101	PLUNGER ASSY	3							
6	2	119620-51170	RETAINER, SPRING A	3							
7	2	119620-51180	RETAINER, SPRING B	3							
8	2	119620-51190	SPRING, PLUNGER	3							
9	2	119620-51250	SHIM SET	3							
21	2	119620-51300	VALVE ASSY, DELIVERY	3							
24	2	105546-51330	SPRING, DELIVERY	3							
25	2	119620-51340	HOLDER, DELIVERY	3							
26	2	119620-51350	GASKET	3							
27	2	119620-51370	O-RING	3							
28	2	119620-51450	PIECE	3							
29	2	119620-51461	PIN	1							
30	2	119660-51500	RACK, CONTROL	1							
31	2	119620-51510	PINION	3							
32	2	119660-51530	RETAINER, RACK	1							
33	2	119620-51650	PLATE	2							
34	2	119620-51660	SCREW	2							
35	2	119620-51670	PIN	2							
36	2	119620-51680	PIN	1							
37	2	119620-51700	TAPPET ASSY	3							
42	2	22137-040000	WASHER, 4	2							
43	2	22217-040000	WASHER, SPRING 4	2							
44	2	26022-040082	SCREW, M4X 8	4							
45	2	26587-040102	SCREW, M4X10	2							
46	1	719620-53100	VALVE ASSY, INJECTION	3							
47	2	119620-53000	VALVE ASSY, INJECTION	3							
50	2	119620-53080	NUT, NOZZLE	3							
52	2	119620-53120	SPRING, NOZZLE	3							
53	2	114250-53130	SEAT, SPRING	3							
54	2	119620-53140	SPACER, VALVE STOP	3							
55	2	114250-53400	SHIM SET	3							
62	2	129155-61830	O-RING, S10	3							
63	1	129150-59120	RETAINER, PIPE	1							
66	2	129150-59130	BOLT, M4X12	2							
68	1	119620-59811	PIPE ASSY, INJECTION	1							
72	1	119620-59821	PIPE ASSY, INJECTION	1							
76	1	119620-59831	PIPE ASSY, INJECTION	1							
80	1	119620-59540	PIPE ASSY, FUEL	1							
81	2	124066-59100	CLIP, HOSE 8	4							
82	2	119260-59520	JOINT	1							
83	2	119260-59530	JOINT	2							
84	2	105025-59550	PIPE, FUEL RETURN	2							
85	1	119620-59700	NUT, NOZZLE	3							
86	1	23414-140000	GASKET, 14X1.0	3							

N:Old $\frac{100}{100}$ New, Q:Old $\frac{100}{100}$ New, R:Old $\frac{100}{100}$ New, S:Old $\frac{100}{100}$ New, W:Add, Z:Discontinued, F:Interchangeable by set, K:Q'ty Change
 Copyright (C) YANMAR CO., LTD. All Rights Reserved.

Fig.12. FUEL OIL PIPES

119649-51320
 019649-55110
 019649-59220



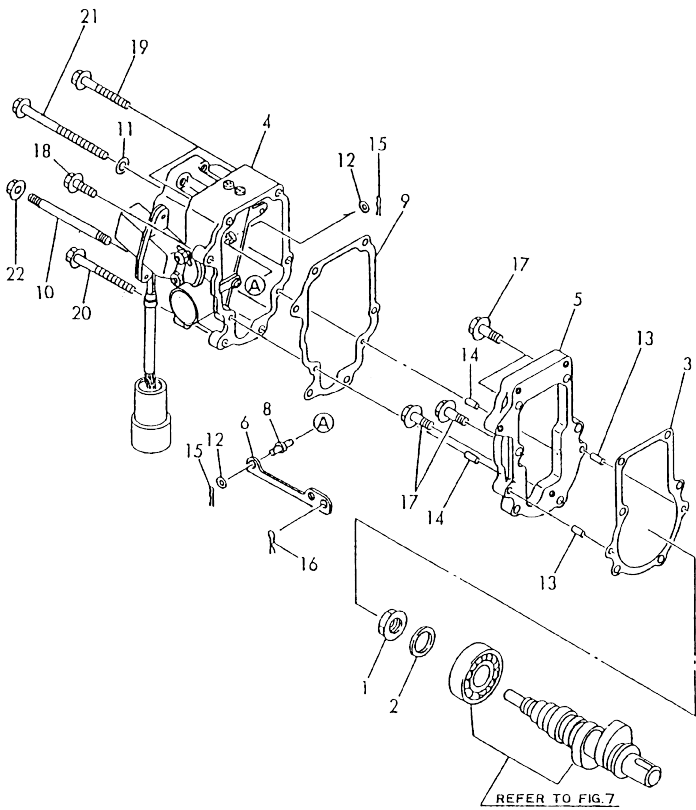
No.	Lev.	Parts No.	Description	Q'ty						I	R
				(A)	(B)	(C)	(D)	(E)	(F)		
1	1	121520-01850	GASKET	1							
1-1	1	121520-01851	GASKET	1							R
(A=E40972)											
2	1	119600-52021	PUMP ASSY, FUEL FEED	1							
3	1	26014-060202	BOLT, M6X 20	2							
4	1	119225-55600	FILTER ASSY, FUEL	1							
5	2	121254-55510	COVER	1							
6	2	102103-55520	O-RING	1							
7	2	110250-55610	RING, RETAINING	1							
8	2	121250-55620	SPRING	1							
10	2	124550-55700	FILTER, FUEL L=90	1							
11	2	101720-55750	PLUG, 6	2							
12	2	23418-060000	GASKET, 6X1.0	2							
13	1	119649-55910	BRACKET, FILTER	1							
14	1	26014-080702	BOLT, M8X 70	1							
15	1	26106-080182	BOLT, M8X 18 PLATED	2							
16	1	23414-080012	GASKET, 8X1.0	4							
17	1	119244-59020	PIPE ASSY, FUEL	1							
18	2	104264-59030	JOINT, PIPE 8	1							
19	2	124766-59050	CLIP, HOSE 12	2							
20	2	121522-59100	PIPE, FUEL D12X500	1							
21	1	104264-59030	JOINT, PIPE 8	1							
22	1	119225-59040	PIPE ASSY, FUEL	1							
23	2	101304-59020	JOINT, PIPE 12	1							
24	2	124766-59050	CLIP, HOSE 12	2							
25	2	121250-59080	PIPE, FUEL D12X180	1							
26	1	124766-59050	CLIP, HOSE 12	4							
27	1	121236-59080	PIPE, FUEL D12X400	1							
28	1	124160-59080	PIPE, FUEL D12X220	1							
29	1	105582-59150	BOLT, PIPE JOINT	2							
30	1	104200-59170	GASKET, 12	2							
31	1	103854-59191	BOLT ASSY, JOINT M12	1							

N:Old $\frac{100}{100}$ New. Q:Old $\frac{100}{100}$ New. R:Old $\frac{100}{100}$ New. S:Old $\frac{100}{100}$ New. W:Add. Z:Discontinued. F:Interchangeable by set. K:Qty Change
 Copyright (C) YANMAR CO., LTD. All Rights Reserved.

OCD10-M32301

Fig.13. GOVERNOR

719649-51320
019649-61201



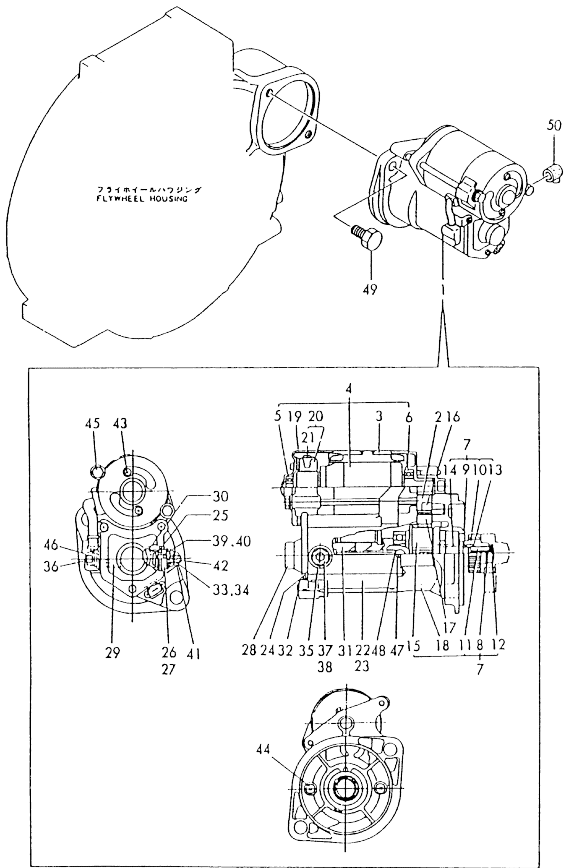
No.	Lev.	Parts No.	Description	Q'ty						I	R
				(A)	(B)	(C)	(D)	(E)	(F)		
1	1	119660-61300	NUT	1							
2	1	119649-61310	SPACER	1							
3	1	119660-61051	GASKET	1							
3-1	1	119660-61052	GASKET	1							N
(A=E40972)											
4	1	119649-61100	ACTUATOR	1							
5	1	119649-61110	SPACER	1							
6	1	119649-61120	LINK	1							
6-1	1	119649-61160	LINK ASSY	1							N
(A=E47799)											
8	1	119649-61140	PIN	1							
9	1	119649-61150	GASKET	1							
10	1	119649-61200	STUD	1							
11	1	22117-060000	WASHER, 6	1							
12	1	22137-040000	WASHER, 4	2							
13	1	22351-040010	PIN, SPRING 4.0X10	2							
14	1	22351-040010	PIN, SPRING 4.0X10	2							
15	1	22360-040000	PIN, SNAP 4	2							
16	1	22360-060000	PIN, SNAP 6	1							
17	1	26106-060182	BOLT, M6X 18 PLATED	4							
18	1	26106-060182	BOLT, M6X 18 PLATED	1							
19	1	26106-060452	BOLT, M6X 45 PLATED	2							
20	1	26106-060702	BOLT, M6X 70 PLATED	1							
21	1	26106-061002	BOLT, M6X100 PLATED	1							
21-1	1	26116-061002	BOLT, M6X100 PLATED	1							R
(A=*1991.02)											
22	1	26366-060002	NUT, M6	1							

N:Old $\frac{100}{100}$ New, Q:Old $\frac{100}{100}$ New, R:Old $\frac{100}{100}$ New, S:Old $\frac{100}{100}$ New, W:Add, Z:Discontinued, F:Interchangeable by set, K:Qty Change
Copyright (C) YANMAR CO., LTD. All Rights Reserved.

OCD10-M32301

Fig.14. STARTING MOTOR

019640-77100
019649-93110



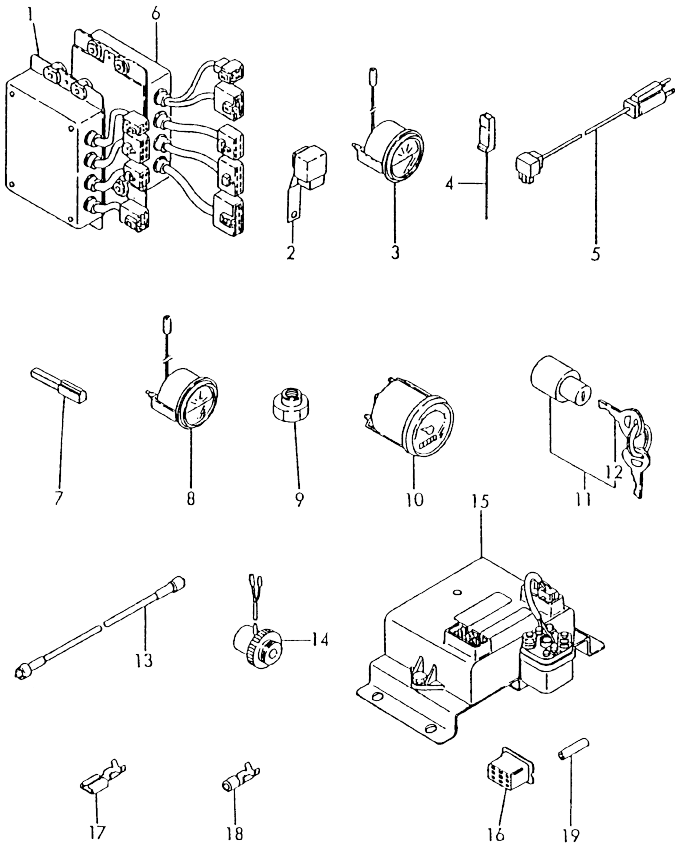
No.	Lev.	Parts No.	Description	Qty						I	R
				(A)	(B)	(C)	(D)	(E)	(F)		
1	1	119620-77011	STARTER	1							
2	2	X0280630011	RETAINER	1							
3	2	X0281003751	YOKE ASSY	1							
4	2	X0282001531	ARMATURE ASSY	1							
5	3	X9491001360	BEARING	1							
6	3	X9491001860	BALL BEARING	1							
7	2	X0283005050	CLUTCH, STARTER	1							
8	3	X0280210230	NUT	1							
9	3	X0283270140	RETAINER	1							
10	3	X0283715030	PINION, STARTER	1							
11	3	X0283810040	SHAFT	1							
12	3	X9490721080	RING	1							
13	3	X9491703371	SPRING, COIL	1							
14	3	X9491704260	SPRING	1							
15	3	121120-77930	CASE ASSY, STARTER	1							
16	2	X0283060061	ROLLER	5							
17	2	X0283711420	PINION	1							
18	2	X0284004910	HOUSING, STARTER	1							
19	2	X0285040631	FRAME ASSY	1							
20	2	X0285100460	HOLDER ASSY, BRUSH	1							
21	3	X9491730461	SPRING	4							
22	2	X0534006460	SWITCH, MAGNETIC	1							
23	3	X0534040320	GASKET	1							
24	3	X0534490120	BUSH	1							
25	3	X0534490120	BUSH	1							
26	3	X0534490230	BUSH	1							
27	3	X0534490230	BUSH	1							
28	3	X0535050620	COVER	1							
29	3	X0535130241	PLATE (B)	1							
30	3	X0535130320	PLATE (A)	1							
31	3	X0536600401	PLUNGER	1							
32	3	X9151005141	BOLT W/WASHER	3							
33	3	X9490170900	WASHER	1							
34	3	X9490170900	WASHER	1							
35	3	X9490441303	BOLT	1							
36	3	X9490441312	BOLT	1							
37	3	X9490502820	NUT	1							
38	3	X9490502820	NUT	1							
39	3	X9491402100	O-RING	1							
40	3	X9491402100	O-RING	1							
41	2	X9019008651	NUT	1							
42	2	X9025808001	WASHER	1							
43	2	X9490071810	SCREW W/WASHER	2							
44	2	X9490071970	SCREW W/WASHER	2							
45	2	X9490423330	BOLT W/WASHER	2							
46	2	X9490561370	NUT	1							
47	2	X9491200240	BALL	1							
48	2	X9491703380	SPRING	1							
49	1	26116-120252	BOLT, M12X 25 PLATED	2							
50	1	124550-77030	COVER, TERMINAL	1							

N:Old $\frac{100}{100}$ New, Q:Old $\frac{100}{100}$ New, R:Old $\frac{100}{100}$ New, S:Old $\frac{100}{100}$ New, W:Add, Z:Discontinued, F:Interchangeable by set, K:Qty Change
Copyright (C) YANMAR CO., LTD. All Rights Reserved.

OCD10-M32301

Fig.15. ELECTRIC PPARTS

D19649-78800
D19649-93110



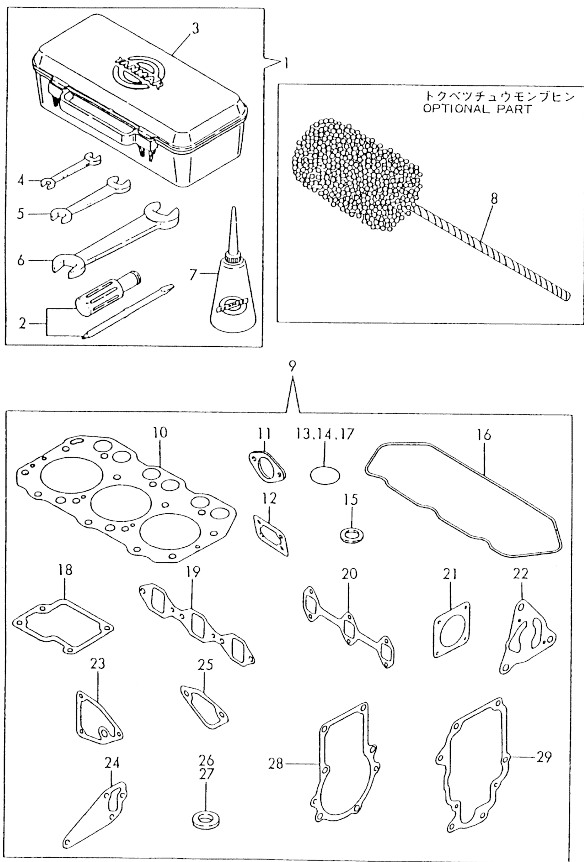
No.	Lev.	Parts No.	Description	Q'ty						I	R
				(A)	(B)	(C)	(D)	(E)	(F)		
1	1	119649-78801	CONTROLLER, MAIN 2P	1							
2	1	119649-78850	RELAY, POWER	1							
3	1	171010-77850	THERMOSTAT	2							
4	1	119643-77900	CONNECTOR, STARTER	1							
5	1	171015-77910	CORD, HEATER	1							
6	1	129117-78810	CONTROLLER, SUB	1							
7	1	171011-91011	PIN	1							
8	1	175300-91010	GAUGE, LO PRESSURE	1							
9	1	171011-91020	JOINT	1							
10	1	171014-91101	TACHOMETER	1							
11	1	121400-91251	SWITCH, STARTER	1							
12	2	121400-91270	KEY	2							
13	1	41690-501360	CABLE, TACHOMETER	1							
14	1	46111-800300	TRANSMITTER	1							
15	1	46120-800500	RELAY, SPEED	1							
16	1	46150-803610	COUPLER	1							
17	1	46150-803620	TERMINAL	8							
18	1	46150-803670	TERMINAL	2							
19	1	46150-803680	SLEEVE	2							

N:Old $\frac{100}{100}$ New. Q:Old $\frac{100}{100}$ New. R:Old $\frac{100}{100}$ New. S:Old $\frac{100}{100}$ New. W:Add. Z:Discontinued. F:Interchangeable by set. K:Q'ty Change
Copyright (C) YANMAR CO., LTD. All Rights Reserved.

OCD10-M32301

Fig.16. TOOL & GASKET SET(OPTION)

013649-93110



No.	Lev.	Parts No.	Description	Q'ty						I	R
				(A)	(B)	(C)	(D)	(E)	(F)		
1	1	171001-93100	BOX, TOOL	1							
2	2	104200-92350	DRIVER, SCREW	1							
3	2	104200-92600	BOX, TOOL	1							
4	2	28110-100120	SPANNER, 10X12	1							
5	2	28110-140170	SPANNER, 14X17	1							
6	2	28110-190220	SPANNER, 19X22	1							
7	2	28210-000140	OILER	1							
8	1	129400-92410	FLEX HORN	1							1
9	1	719649-92601	GASKET SET	1							1
9-1	1	719649-92602	GASKET SET	1							N 1
(A=E40972)											
10	2	119610-01340	GASKET, HEAD	1							
11	2	119621-11960	GASKET	1							
12	2	119660-01561	GASKET	1							
12-1	2	119660-01562	GASKET	1							R
(A=E40972)											
13	2	24311-000320	O-RING, 1AP32.0	2							
14	2	24341-000240	O-RING, 1AS24.0	2							
15	2	119600-11460	GASKET, NOZZLE	6							
16	2	119620-11310	GASKET, BONNET	1							
17	2	24311-000120	O-RING, 1AP12.0	3							
18	2	119620-03030	GASKET	1							
18-1	2	119620-03031	GASKET	1							R
(A=E40972)											
19	2	119660-12111	GASKET, MANIFOLD	1							
20	2	119620-13110	GASKET	1							
21	2	124450-11900	GASKET	1							
22	2	119660-32020	GASKET, PUMP	1							
23	2	119660-35112	GASKET	1							
23-1	2	119660-35113	GASKET	1							R
(A=E40972)											
24	2	119620-42020	GASKET, WATER PUMP	1							
25	2	121520-01850	GASKET	1							
25-1	2	121520-01851	GASKET	1							R
(A=E40972)											
26	2	104200-59170	GASKET, 12	2							
27	2	23414-080012	GASKET, 8X1.0	4							
28	2	119660-61051	GASKET	1							
28-1	2	119660-61052	GASKET	1							N
(A=E40972)											
29	2	119649-61150	GASKET	1							

Remarks
(1) OPTIONAL PART.

N:Old $\frac{100}{100}$ New, Q:Old $\frac{100}{100}$ New, R:Old $\frac{100}{100}$ New, S:Old $\frac{100}{100}$ New, W:Add, Z:Discontinued, F:Interchangeable by set, K:Q'ty Change
Copyright (C) YANMAR CO., LTD. All Rights Reserved.

Parts No. Index

Parts No.	Fig. No.	Ref. No.	Parts No.	Fig. No.	Ref. No.	Parts No.	Fig. No.	Ref. No.	Parts No.	Fig. No.	Ref. No.
101158-11190	4	15	119620-02410	1	17	119620-51670	11	35	119660-01570	2	25
101304-59020	12	23	119620-02450	1	18	119620-51680	11	36	119660-01640	3	7
101720-55750	12	11		7	2 B	119620-51700	11	37	119660-01821	7	6
102103-55520	12	6	119620-03020	4	47	119620-53000	11	47	119660-01911	2	8
103854-59191	12	31	119620-03030	4	48	119620-53080	11	50	119660-12101	5	17
104200-59170	12	30		16	18	119620-53120	11	52	119660-12111	5	18
	16	26	119620-03031	4	48 -1	119620-53140	11	54		16	19
104200-92350	16	2		16	18 -1	119620-59540	11	80	119660-21201	8	3
104200-92600	16	3	119620-11100	4	11	119620-59700	11	85	119660-25022	7	13
104211-11370	4	18	119620-11110	4	12	119620-59811	11	68	119660-25052	7	14
104264-59030	12	18	119620-11120	4	13	119620-59821	11	72	119660-25902	7	8 A
		21	119620-11180	4	14	119620-59831	11	76		20	
105010-11230	4	28	119620-11200	4	22	119620-77011	14	1	119660-32001	9	1
		32	119620-11240	4	23	119620-77820	4	59	119660-32020	9	11
105025-59550	11	84	119620-11260	4	34	119621-11950	1	22		16	22
105225-23200	8	35	119620-11280	4	35	119621-11960	1	23	119660-35102	9	15
105546-51330	11	24	119620-11310	4	45		16	11	119660-35112	9	16
105582-59150	12	29		16	16	119621-21680	8	12		16	23
110250-55610	12	7	119620-11330	4	41 -1	119629-14580	7	1	119660-35113	9	16 -1
114250-53130	11	53	119620-11350	4	19	119640-12580	5	11		16	23 -1
114250-53400	11	55	119620-11390	4	44	119640-12590	5	9	119660-35150	9	17
119225-55600	12	4	119620-11801	4	57	119643-77900	15	4	119660-35300	9	19
119225-59040	12	22	119620-13110	6	3	119645-34800	9	13	119660-42003	10	1
119244-59020	12	17		16	20	119645-49020	10	42	119660-42004	10	1 -1
119260-07900	4	54	119620-14100	7	2	119649-01770	3	10 -1	119660-42350	10	16
119260-59520	11	82	119620-14200	7	3	119649-21650	8	11	119660-51500	11	30
119260-59530	11	83	119620-14400	7	4	119649-49590	10	34	119660-51530	11	32
119288-12050	5	1	119620-21941	8	13	119649-55910	12	13	119660-61051	13	3
119305-35151	9	17 -1	119620-22090	8	14	119649-61100	13	4		16	28
119600-01050	1	3	119620-22300	8	22	119649-61110	13	5	119660-61052	13	3 -1
119600-01600	3	2	119620-23910	8	38	119649-61120	13	6		16	28 -1
119600-01722	3	14	119620-25062	7	17	119649-61140	13	8	119660-61300	13	1
119600-11450	4	38	119620-25102	7	15	119649-61150	13	9	119688-12500	5	3
119600-11460	4	40	119620-42020	10	13		16	29	119688-12540	5	5
	16	15		16	24	119649-61160	13	6 -1	119688-49010	10	41
119600-13100	6	2	119620-42320	10	10	119649-61200	13	10	119860-12510	5	4
119600-21580	8	8	119620-51101	11	3	119649-61310	13	2	119860-12550	5	6
119600-35091	9	30	119620-51170	11	6	119649-78500	2	29	119860-12560	5	7
119600-52021	12	2	119620-51180	11	7	119649-78510	2	15	119865-21600	8	10
119600-77330	10	24	119620-51190	11	8	119649-78650	8	41	121111-21501	8	7
119610-01340	1	21	119620-51250	11	9	119649-78801	15	1	121120-01620	3	3
	16	10	119620-51300	11	21	119649-78850	15	2	121120-77930	14	15
119610-01490	2	1	119620-51340	11	25	119650-42291	10	15	121236-59080	12	27
119610-01590	2	6	119620-51350	11	26	119654-12550	5	8	121250-44901	10	28
119620-01200	1	20	119620-51370	11	27	119660-01510	2	3	121250-55620	12	8
119620-01620	3	6	119620-51450	11	28	119660-01551	2	23	121250-59080	12	25
119620-01750	3	4	119620-51461	11	29	119660-01561	2	24	121254-55510	12	5
119620-01800	2	7	119620-51510	11	31		16	12	121400-91251	15	11
119620-01950	2	9	119620-51650	11	33	119660-01562	2	24 -1	121400-91270	15	12
119620-02020	1	8	119620-51660	11	34		16	12 -1	121450-01560	2	4

Parts No. Index

Parts No.	Fig. No.	Ref. No.
121470-44900	3	15
121520-01850	12	1
	16	25
121520-01851	12	1 -1
	16	25 -1
121520-34810	9	14
121521-12400	5	2
121522-59100	12	20
121550-49111	10	38
121850-11860	4	8
123682-44210	10	40
124066-59100	11	81
124085-02220	3	8
124160-01751	2	26
	4	63
124160-11340	4	16
124160-11360	4	51
124160-39450	9	35
124160-59080	12	28
124450-11900	6	1
	16	21
124450-35110	9	18
124465-44950	3	16
	10	31
124550-55700	12	10
124550-77030	14	50
124700-44740	10	17
124764-12600	5	12
124766-59050	12	19
	24	
	26	
124950-11340	4	17
129100-01580	3	1
	8	6
129117-78810	15	6
129136-12600	5	12 -1
129150-35350	9	27
129150-59120	11	63
129150-59130	11	66
129150-91400	2	31
129155-61830	11	62
129155-77801	4	58
129350-49530	10	32
129350-49540	10	33
129350-49541	10	33 -1
129350-49800	10	35
129400-92410	16	8
171001-93100	16	1
171002-44502	10	39
171010-39040	9	33

Parts No.	Fig. No.	Ref. No.
171010-39080	9	40
171010-77850	15	3
171011-44301	10	21
171011-91011	15	7
171011-91020	15	9
171014-91101	15	10
171015-39100	9	34
171015-77900	1	24
171015-77910	15	5
171015-91200	9	41
171083-13300	6	4
171301-01640	3	12
		12 -1
171353-44760	10	18
171375-39600	9	36
171375-44300	10	20
171375-44320	10	22
171375-44900	10	29
171375-44910	10	30
175300-91010	15	8
194440-51630	2	14
194990-22050	2	13
	6	5
22117-060000	13	11
22137-040000	11	42
	13	12
22217-040000	11	43
22217-050000	4	49
22242-000120	4	36
22242-000200	7	18
22252-000210	8	23
22351-040010	2	5
	13	13
		14
22351-060012	4	21
22360-040000	13	15
22360-060000	13	16
22512-040120	7	2 A
		5
		8
	8	4
23000-060000	5	13
23010-038000	10	43
23065-120500	4	53
23414-080012	12	16
	16	27
23414-140000	11	86
23414-170000	6	7
23418-060000	12	12
23871-010000	1	4

Parts No.	Fig. No.	Ref. No.
23871-030000	10	11
23894-030002	6	8
24101-062034	7	9
24102-063034	7	8 B
		10
24190-080001	9	39
24311-000120	2	16
	4	52
	9	31
	16	17
24311-000160	9	28
24311-000320	2	27
	4	64
	16	13
24341-000240	2	33
	3	13
		13 -1
	16	14
26014-060202	12	3
26014-080252	10	25
26014-080702	12	14
26022-040082	11	44
26106-060102	9	32
26106-060122	1	19
	3	17
	5	14
	7	19
26106-060162	2	17
		34
	5	19
	7	11
26106-060182	5	14 -1
	13	17
		18
26106-060222	3	9
26106-060302	2	18
26106-060352	10	19
26106-060402	5	20
26106-060452	3	18
	13	19
26106-060602	2	19
		20
26106-060652	2	21
26106-060702	13	20
26106-060802	2	22
26106-061002	13	21
26106-080122	5	15
26106-080142	4	55
		56
26106-080182	5	15 -1

Parts No.	Fig. No.	Ref. No.
26106-080182	10	26
	12	15
26106-080202	9	29
26106-080402	6	9
26106-080452	4	39
	6	10
	10	14
26106-080502	10	36
26106-080952	6	11
26106-100142	8	42
26106-100352	10	27
26116-061002	13	21 -1
26116-120252	14	49
26206-100252	3	5
26216-080552	6	6
26366-060002	2	28
	13	22
26366-080002	4	20
	5	16
26450-060202	9	12
26450-080182	1	25
26450-080302	10	37
26557-040082	2	30
26557-050102	4	50
26587-040102	11	45
26587-080102	7	12
26706-100002	10	23
26756-060002	4	29
		33
26979-050162	4	37
27221-050080	4	9
27231-450000	1	5
27241-120000	1	6
27241-300000	1	7
27241-400000	4	10
27310-070001	4	15 -1
28110-100120	16	4
28110-140170	16	5
28110-190220	16	6
28210-000140	16	7
41690-501360	15	13
46111-800300	15	14
46120-800500	15	15
46150-803610	15	16
46150-803620	15	17
46150-803670	15	18
46150-803680	15	19
719610-01560	1	1
719620-02800	1	9
719620-02870	1	26

Parts No. Index

Parts No.	Fig. No.	Ref. No.
719620-02930	1	12
719620-11520	4	41
719620-11650	4	26
719620-11660	4	30
719620-11702	4	1
719620-22500	8	16
719620-22540	8	26
719620-22820	8	24
719620-23100	8	32
719620-23600	8	36
719620-23610	8	39
719620-53100	11	46
719621-51100	11	1
719649-01540	3	10
719649-92601	16	9
719649-92602	16	9 -1
719660-14590	7	7
719660-21700	8	1 -1
719660-21701	8	1
X0280210230	14	8
X0280630011	14	2
X0281003751	14	3
X0282001531	14	4
X0283005050	14	7
X0283060061	14	16
X0283270140	14	9
X0283711420	14	17
X0283715030	14	10
X0283810040	14	11
X0284004910	14	18
X0285040631	14	19
X0285100460	14	20
X0534006460	14	22
X0534040320	14	23
X0534490120	14	24
		25
X0534490230	14	26
		27
X0535050620	14	28
X0535130241	14	29
X0535130320	14	30
X0536600401	14	31
X9019008651	14	41
X9025808001	14	42
X9151005141	14	32
X9490071810	14	43
X9490071970	14	44
X9490170900	14	33
		34
X9490423330	14	45

Parts No.	Fig. No.	Ref. No.
X9490441303	14	35
X9490441312	14	36
X9490502820	14	37
		38
X9490561370	14	46
X9490721080	14	12
X9491001360	14	5
X9491001860	14	6
X9491200240	14	47
X9491402100	14	39
		40
X9491703371	14	13
X9491703380	14	48
X9491704260	14	14
X9491730461	14	21

Parts No.	Fig. No.	Ref. No.
-----------	----------	----------

Parts No.	Fig. No.	Ref. No.
-----------	----------	----------